

**INSTALLATION OF CANOPY OPERATION, CODED "MC"**

Ref. No.	Part No.	Description	No. off	Material Specification	Class of Store or L.M	Plate No.
		<b>INSTALLATION OF CANOPY OPERATION, CODED "MC"</b>	1	—	—	
		<b>INSTALLATION AT PANEL, CODED "AU"</b> (Drg. Nos. 10-20 F 3887 and 10-20 N 22903)	1	—	—	
	10-20 N 11787A/ CABLES	<b>CABLES</b> , link (Pre Mod. 96) (For cables circuit coded "MC")	QR	—	ECC	EBR1
	10-20 N 22903/ CABLES	<b>CABLES</b> , link (Mod. 1000) (For cables circuit coded "MC")	QR	—	ECC	EBR1
10F/0510581	—	<b>SWITCH</b> , toggle, coded "G" (5930-99-051-0581)	1	—	P	EBR1
		<b>INSTALLATION AT FRAME 96, PORT</b> (Drg. Nos. 10-20 N 5909 and 10-20 N 11421)	1	—	—	
		<b>BLOCK</b> , terminal, coded "AV," group ...	1	—	—	
	DHS.456/20	<b>BLOCK</b> , terminal, 20-way, assembly ... (For breakdown see DHS. Data Sheet)	1	—	—	EBR1
5X/9149643	PLESSEY CZ.2511	<b>COVER</b> , terminal block (5940-99-914-9643)	1	—	C	
5X/9450403	PLESSEY Z.28426	<b>PILLAR</b> , fixing, 4 BA (5340-99-945-0403) ...	2	—	C	
5195	DHS.849	<b>SCREW</b> , terminal (Fit at terminal No. 14) ...	1	—	C	EBY8
	DHS.456/20	<b>BLOCK</b> , terminal, coded "AZ," group ...	1	—	—	
		<b>BLOCK</b> , terminal, 20-way, assembly ... (For breakdown see DHS. Data Sheet)	1	—	—	EBR1
5X/9149643	PLESSEY CZ.25111	<b>COVER</b> , terminal block (5940-99-914-9643)	1	—	C	
5X/1004082	PLESSEY Z.50210	<b>LINK</b> , terminal connecting, 2-way (5940-99-100-4082)	1	—	C	EBR1
7657	DHS.870/5	<b>PILLAR</b> , fixing, 4 BA (Pre Mod. 96) ...	2	—	C	
5X/9450403	PLESSEY Z.28426	<b>PILLAR</b> , fixing, 4 BA (Mod. 96 (5430-99-945-0403)	2	—	C	
26DV/12296	DHS.489/5	<b>SPACER</b> (Pre Mod. 96) ...	2	P.V.C.	C	EBY8
	10-20 N 9/146 Mk. 40	<b>CABLE</b> , coded "9.AZ.MCC-MCC.CA.1," assembly	1	—	ECC	EBR1
	10-20 N 9/146 Mk. 41	<b>CABLE</b> , coded "9.AZ.MCC-MCC.TT.6," assembly	1	—	ECC	EBR1
	10-20 N 9/146 Mk. 44	<b>CABLE</b> , coded "10.AZ.MCC-MCC.T.F.18," assembly	1	—	ECC	EBR1
	10-20 N 9/146 Mk. 45	<b>CABLE</b> , coded "11.AV.MCC-MCC.T.F.19," assembly	1	—	ECC	EBR1
	10-20 N 9/146 Mk. 52	<b>CABLE</b> , coded "14.AV.MCC-MCC.TT.5," assembly	1	—	ECC	EBR1
	10-20 N 22525A	<b>CABLE</b> , coded "JB1," assembly (Mod. 1030) ...	1	—	ECC	EBR1
5K/—	SP.95/A36	<b>GROMMET</b> , at terminal block panel (Alternative DHS.1790/A36)	1	—	C	
		<b>PANEL</b> , mounting, terminal blocks, assembly (See sub-section KQ)	—	—	—	
		<b>INSTALLATION AT RELAYS AND TERMINAL BLOCK, GROUP "T"</b> (Drg. Nos. 10-20 N 5733 and 10-20 N 11421)	1	—	—	
		<b>BLOCK</b> , terminal, coded "F," group ...	1	—	—	
	DHS.456/20	<b>BLOCK</b> , terminal, 20-way, assembly ... (For breakdown see DHS. Data Sheet)	1	—	—	EBR1
5X/9149643	PLESSEY CZ.25111	<b>COVER</b> , terminal (5950-99-914-9643) ...	1	—	C	
28M/10327	AGS.2002/B/1	<b>NUT</b> , 4 BA ...	1	—	C	
7657	DHS.870/5	<b>PILLAR</b> , fixing, 4 BA ...	1	—	C	
5X/9450403	PLESSEY Z.28426	<b>PILLAR</b> , fixing, 4 BA (5340-99-945-0403) ...	1	—	C	
26DV/12296	DHS.489/5	<b>SPACER</b> ...	1	P.V.C.	C	EBY8

**ELECTRICAL INSTALLATIONS**

**INSTALLATION OF CANOPY OPERATION, CODED "MC"**

Ref. No.	Part No.	Description	No. off	Material Specification	Class of Store or L/M	Place No.
15938	10-20 N 13539A	<b>BOX</b> , switch unit, complete with wiring, coded "S," assembly (Mod. 387) Spares for:—	1	—	P	EBR1 EBR2
13107	10-20 N 6781A	<b>BOX</b> , lower half, assembly ... .. Spares for:—	1	—	P	EBR2
10H/0560062	HARWIN H.2071Z	<b>TERMINAL</b> , post (5940-99-056-0062) ...	2	—	C	EBR2
28D/14826	AS.1242/3B	Attachments for 10-20 N 6781A, Box:— Bolt, 4 BA ... ..	2	—	C	
28W/9419465	SP.13/B	Washer ... ..	2	—	C	
13106	10-20 N 6783	<b>BOX</b> , upper half, fibreglass ... .. Attachments for 10-20 N 6783, Box:—	1	—	P	EBR2
28D/1218385	AS.1248/2B	Bolt, 4 BA ... ..	2	—	C	
5CZ/5782	10-20 N 13539A/ CABLES PLESSEY CE.51102	<b>CABLE</b> , assembly ... .. <b>CAPACITOR</b> , tantalum, 140 mfd. 30v. ...	1 3	— —	ECC C	EBR1 EBR2
28M/9995181	A53/B	Attachments for CE.51102, Capacitor:— Nut, 4 BA ... ..	1	—	C	
28W/1200328	AGS.2037/B	Washer, shakeproof ... ..	1	—	C	
12721	PAGE ENGINEERING A.345	<b>COVER</b> , capacitor ... ..	3	—	C	EBR2
5X/2787	—	<b>GROMMET</b> , Helsyn, Type 4 ... ..	1	—	C	EBR2
10CV/0372039	10-20 N 6407 CV.7039	<b>LINK</b> , and rectifier, group ... .. <b>LINK</b> , rectifier, 22 SWG ... ..	1 1	— —	— LM	EBR2
28W/9137412	AGS.2037/A	<b>RECTIFIER</b> , germanium (5960-99-037-2039)	4	—	C	
28W/1200328	AGS.2037/B	<b>WASHER</b> , shakeproof ... ..	4	—	C	
10W/0113305	—	<b>WASHER</b> , shakeproof ... ..	4	—	C	
20297	LEDEX LX/S1/11912/S.D.1	<b>RESISTOR</b> , 250 ohms ... .. <b>SWITCH-UNIT</b> ... ..	1 1	— —	C C	EBR2 EBR2
28M/9995181	A53/B	Attachments for LX/S1/11912/S.D.1, Switch-unit:— Nut, 4 BA ... ..	4	—	C	
28S/9145185	A44/B12	Screw, 4 BA ... ..	4	—	C	
28W/1200328	AGS.2037/B	Washer ... ..	4	—	C	
6380	DHS.181/4	<b>TUBING</b> , protective, 1"×5 long ... ..	QR	—	C	
14368	DHS.181/6	<b>TUBING</b> , protective, 1"×0 long ... ..	QR	—	C	
	10-20 N 9/146 Mk. 6	<b>CABLE</b> , coded "4.J.T.MCB-MCB.T.J.2," assembly	1	—	ECC	EBR1
	10-20 N 9/146 Mk. 15	<b>CABLE</b> , coded "15.F.T.MCC-MCC.C.G.4," assembly	1	—	ECC	EBR1
	10-20 N 9/146 Mk. 18	<b>CABLE</b> , coded "3.J.T.MCB-MCB.CH.2," assembly	1	—	ECC	EBR1
	10-20 N 9/146 Mk. 19	<b>CABLE</b> , coded "5.J.T.MCB-MCB.CH.3," assembly	1	—	ECC	EBR1
	10-20 N 9/146 Mk. 21	<b>CABLE</b> , coded "2.J.T.MCB-MCB.CC.1," assembly	1	—	ECC	EBR1
	10-20 N 9/146 Mk. 22	<b>CABLE</b> , coded "1.J.T.MCB★27.A4," assembly ...	1	—	ECC	EBR1
	20-20 N 9/146 Mk. 30	<b>CABLE</b> , coded "4.CA.MCB-MCB.T.J.3," assembly	1	—	ECC	EBR1
	10-20 N 9/146 Mk. 36	<b>CABLE</b> , coded "2.CF.MCB-MCB.★27.A2," assembly	1	—	ECC	EBR1
	10-20 N 9/146 Mk. 46	<b>CABLE</b> , coded "17.FT.MCC-MCC.T.J.5," assembly	1	—	ECC	EBR1
	10-20 N 9/146 Mk. 47	<b>CABLE</b> , coded "20.FT.MCC-MCC.AV.14," assembly	1	—	ECC	EBR1
	10-20 N 9/146 Mk. 49	<b>CABLE</b> , coded "1.T.T.MCC-MCC.★27.A8," assembly	1	—	ECC	EBR1
	10-20 N 9/146 Mk. 51	<b>CABLE</b> , coded "1.6.F.T.MCC-MCC.CG.6," assembly	1	—	ECC	EBR1
	10-20 N 9/146 Mk. 52	<b>CABLE</b> , coded "14.AV.MCC-MCC.T.T.5," assembly	1	—	ECC	EBR1
	10-20 N 9/146 Mk. 54	<b>CABLE</b> , coded "A.DQ.MCB-MCB.T.J.6," assembly	1	—	ECC	EBR1

**INSTALLATION OF CANOPY OPERATION CODED "MC"**

Ref. No.	Part No.	Description	No. off	Material Specification	Class of Store or L.M	Plate No.	
							1
16954	10-20 N 22025A/ND	<b>PANEL</b> , relay, c/w equipment and wiring, assembly (Mod. 934, Pre Mod. 7)	1	—	—		
	10-20 N 15881A/ND	<b>PANEL</b> , relay, c/w equipment and wiring, assembly (Mod. 879, Pre Mod. 934)	1	—	P		
	10-20 N 9/146 Mk. 2	<b>CABLE</b> , coded "12.AV.MCC-MCC.T.M.2a," assembly	1	—	ECC	EBR1	
	10-20 N 9/146 Mk. 3	<b>CABLE</b> , coded "13.AV.MCC-MCC.T.N.4a," assembly	1	—	ECC	EBR1	
	10-20 N 9/146 Mk. 4	<b>CABLE</b> , coded "4a.M.T.MCB-MCB.T.N.1a," assembly	1	—	ECC	EBR1	
	10-20 N 9/146 Mk. 7	<b>CABLE</b> , coded "1.MT.MCC-MCC.T.N.4," assembly	1	—	ECC	EBR1	
	10-20 N 9/146 Mk. 9	<b>CABLE</b> , coded "3.M.T.MCB-MCB.CA.2," assembly	1	—	ECC	EBR1	
	10-20 N 9/146 Mk. 10	<b>CABLE</b> , coded "4.M.T.MCB-MCB.CA.3," assembly	1	—	ECC	EBR1	
	10-20 N 9/146 Mk. 11	<b>CABLE</b> , coded "3.M.T.MCC-MCC.CG.5," assembly	1	—	ECC	EBR1	
	10-20 N 9/146 Mk. 12	<b>CABLE</b> , coded "1.M.T.MCC-MCC.CG.2," assembly	1	—	ECC	EBR1	
	10-20 N 9/146 Mk. 13	<b>CABLE</b> , coded "Ca.M.T.MCC-MCC.CG.1," assembly	1	—	ECC	EBR1	
	10-20 N 9/146 Mk. 14	<b>CABLE</b> , coded "C.M.T.MCC★27.A5," assembly	1	—	ECC	EBR1	
	10-20 N 9/146 Mk. 24	<b>CABLE</b> , coded "3.N.T.MCC-MCC.CB.2," assembly	1	—	ECC	EBR1	
	10-20 N 9/146 Mk. 25	<b>CABLE</b> , coded "1.N.T.MCB-MCB.CC.1," assembly	1	—	ECC	EBR1	
	10-20 N 9/146 Mk. 26	<b>CABLE</b> , coded "Ca.N.T.MCC-MCC.CB.4," assembly	1	—	ECC	EBR1	
	10-20 N 9/146 Mk. 27	<b>CABLE</b> , coded "C.N.T.MCC★-MCC★27.A7," assembly	1	—	ECC	EBR1	
	10-20 N 9/146 Mk. 28	<b>CABLE</b> , coded "1a.N.T.MCB-MCB.CC.2," assembly	1	—	ECC	EBR1	
	10-20 N 9/146 Mk. 29	<b>CABLE</b> , coded "3.N.T.MCC-MCC.T.M.2," assembly	1	—	ECC	EBR1	
	10-20 N 9/146 Mk. 38	<b>CABLE</b> , coded "3a.M.T.MCC-MCC.T.M.1a," assembly	1	—	ECC	EBR1	
	10-20 N 9/146 Mk. 42	<b>CABLE</b> , coded "5a.M.T.MCC-MCC.T.N.5a," assembly	1	—	ECC	EBR1	
	10-20 N 9/146 Mk. 43	<b>CABLE</b> , coded "5.M.T.MCC-MCC.T.N.5," assembly	1	—	ECC	EBR1	
	10-20 N 9/146 Mk. 48	<b>CABLE</b> , coded "1a.M.T.MCC-MCC.T.N.3a," assembly	1	—	ECC	EBR1	
	10-20 N 9/146 Mk. 50	<b>CABLE</b> , coded "19.F.T.MCC-MCC.T.N.3a," assembly	1	—	ECC	EBR1	
	10-20 N 9/157 Mk. 17	<b>CABLE</b> } (See sub-section EBK) ... ..					
	10-20 N 9/157 Mk. 18						
	10-20 N 9/157 Mk. 48						
	10-20 N 9/157 Mk. 49						
	10-20 N 9/657 Mk. 54						
		10-20 N 10765A	<b>CABLE</b> , coded "T-51," assembly (Mod. 387) ...	1	—	ECC	EBR1
		10-20 N 15579A	<b>PANEL</b> , mounting, relay, assembly (Mod. 879) Attachments for 10-20 N 15579A, Panel :—	1	—	—	EBR2
	28D/9436920	A25/1C	Bolt, 2 BA ... ..	4	—	C	
28W/9419454	SP.10/C	Washer ... ..	4	—	C		
5CW/6853	—	<b>SWITCH</b> , magnetic, Type 10B, No. 15, coded "M" and "N"	2	—	P	EBR1	
		Attachments for Ref. No. 5CW/6853, Switch :—					
28S/14627	A32/B36	Screw, 4 BA ... ..	2	—	C		
	—	<b>SWITCH</b> , magnetic, coded "P" (See sub-section EBK)	—	—	—		

**ELECTRICAL INSTALLATIONS**

**INSTALLATION OF CANOPY OPERATION CODED "MC"**

Ref. No.	Part No.	Description	No. off						Material Specification	Class of Store or L.M	Place No.
			1	2	3	4	5	6			
	10-20 N 5713A	<b>RELAY-BOX</b> , complete with wiring, coded "R," assembly						1	—	—	EBR2
6334	10-20 N 5711A	<b>BOX</b> , relay, assembly						1	—	C	EBR2
		Spares for :—									
5K/2877	SP.40/A8	<b>GROMMET</b>						1	—	C	EBR2
	10-20 N 5701	<b>BRACKET</b> , securing relay, 18 SWG						1	L.72	LM	EBR2
		Attachments for 10-20 N 5701, Bracket :—									
28M/10286	AGS.2001/A/1	Nut, 6 BA						1	—	C	
28S/1200049	A31/A12	Screw, 6 BA						1	—	C	
28W/9403515	SP.26/A	Washer						2	—	C	
	10-20 N 5713A/ CABLES	<b>CABLE</b> , assembly						1	—	ECC	EBR1
5CW/6463	SIEMENS RDJ.4030	<b>RELAY</b> , magnetic						1	—	C	EBR2
		Attachments for 10-20 N 5713A, Relay-box :—									
28D/8337	AS.1248/1B	Bolt, 4 BA						2	—	C	
28M/10287	AGS.2001/B/1	Nut, 4 BA						2	—	C	
28W/9419474	SP.15/B	Washer						2	—	C	
5CW/6452	—	<b>SWITCH</b> , magnetic, Type 9B, No. 1A, coded "J" and "T"						2	—	P	EBR1
		Attachments for Ref. No. 5CW/6452, Switch :—									
28M/10327	AGS.2002/B/1	Nut, 4 BA						2	—	C	
28S/2887	A32/B32	Screw, 4 BA						2	—	C	
28W/9419465	SP.13/B	Washer						2	—	C	
	—	<b>TERMINAL</b> , earth, station 27, coded "A," group						1	—	—	
26DV/7529	DHS.438/C	<b>TAG</b> , corrosion						1	L.16	C	EBY8
26DV/4969	DHS.437/C	<b>TERMINAL</b> , earth, assembly (For breakdown see DHS. Data Sheet)						1	—	C	EBR1
		Attachments for DHS.437/C, Terminal :—									
28D/9436920	A25/1C	Bolt, 2 BA						2	—	C	
28M/10288	AGS.2001/C/1	Nut, 2 BA						2	—	C	
28W/9419475	SP.15/C	Washer						2	—	C	
	—	<b>INSTALLATION AT EXTERNAL COCKPIT WALL, PORT</b> (Drg. Nos. 10-20 N 6165, 10-20 N 15165 Mod. 934, Pre Mod. 7, 10-20 N 11427 Mod. 96, 10-20 N 8553 Pre Mod. 2 and 10-20 N 11421 Mod. 2)						1	—	—	
	10-20 N 9/146 Mk. 31	<b>CABLE</b> , coded "2.CB.MCC-MCC.CH.5," assembly						1	—	ECC	EBR1
	10-20 N 9/146 Mk. 32	<b>CABLE</b> , coded "3.CB.MCC-MCC.CH.4," assembly						1	—	ECC	EBR1
	10-20 N 9/146 Mk. 33	<b>CABLE</b> , coded "3.CB.MCC-MCC.CD.C3," assembly						1	—	ECC	EBR1
	10-20 N 9/146 Mk. 53	<b>CABLE</b> , coded "1.CA.MCC-MCC.CB.1," assembly						1	—	ECC	EBR1
5K/2952	SP.40/D32	<b>GROMMET</b> , (Mod. 934, Pre Mod. 7)						1	—	C	
5CW/5056	DOWTY C.5162Y Mk. 2	<b>SWITCH</b> , push button, coded "CA" and "CB"						2	—	C	EBR1
		Attachments for Ref. No. 5CW/5056, Switch :—									
27Q/13733	DOWTY 2991Y.133	Ring, "O"						1	—	C	
28S/1006960	A32/Z8	Screw, 8 BA						2	—	C	
	—	<b>SWITCH</b> , tumbler, coded "CC," group						1	—	—	
28S/12598	10-20 N 4025	<b>LABEL</b> , 20 SWG						1	L.72	LM	EBR2
5CW/6433	AS.2991/5B	<b>SCREW</b> , 4 BA						2	—	C	
26DV/7350	—	<b>SWITCH</b> , tumbler						1	—	C	EBR1
28W/9419448	DHS.485	<b>WASHER</b> , distance						2	L.56	C	EBR2
	AGS.2035/B	<b>WASHER</b> , shakeproof						2	—	C	

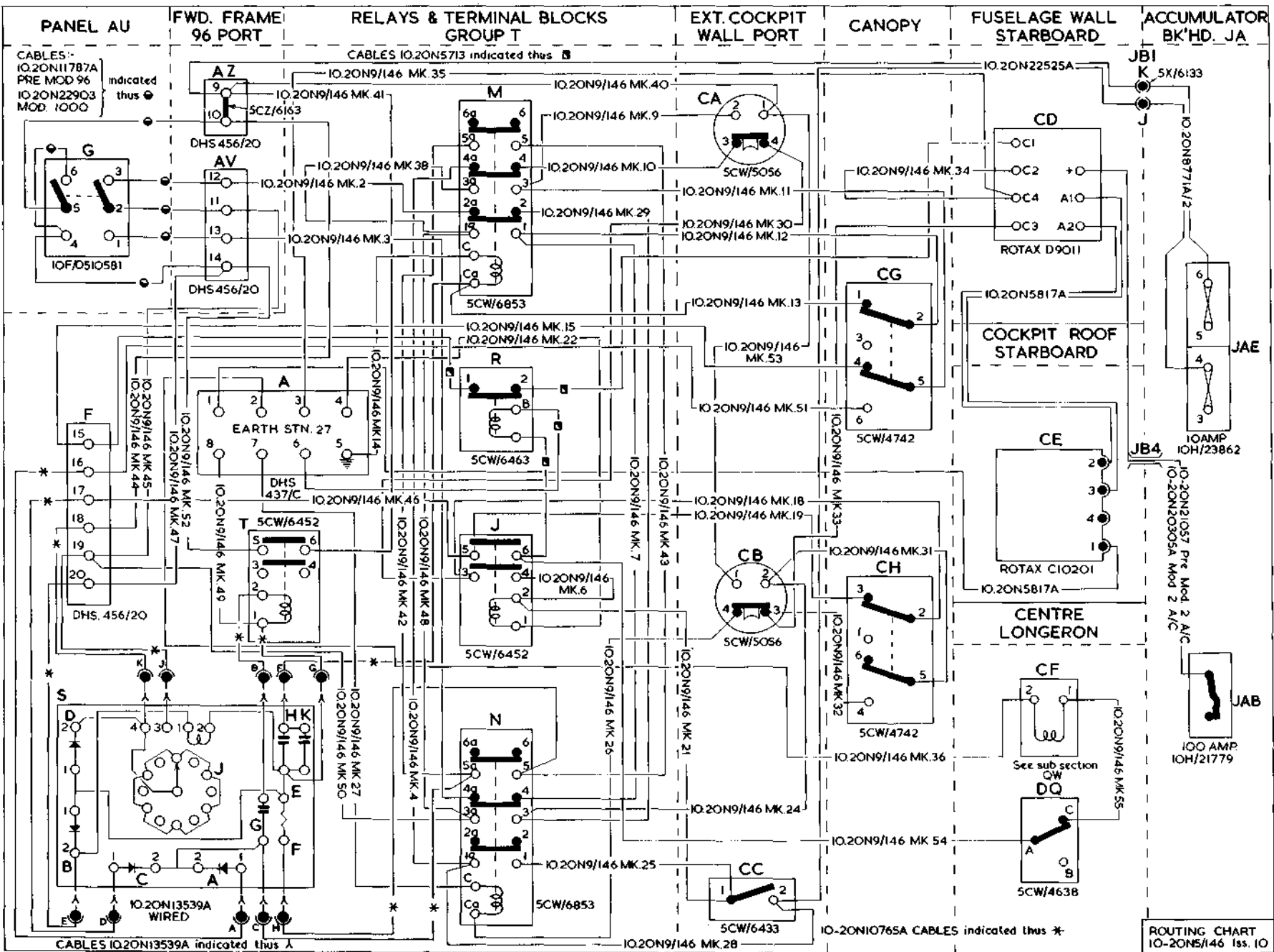
**INSTALLATION OF CANOPY OPERATION, CODED "MC"**

Ref. No.	Part No.	Description	No. off	Material Specification	Class of Store or L.M.	Plate No.
		<b>INSTALLATION AT CANOPY</b> (Drg. Nos. 10-20 FC 1311 and 10-20 FC 1439)	1	—	—	
12398	10-20 FC 1689	<b>COVER</b> , at hood opening micro switch, coded "CG"	1	—	C	EBR2
5CW/4742	DOWTY C.1831Y Mk. 1	<b>SWITCH</b> , micro, coded "CG" ... ..	1	—	P	EBR1
28D/9140647	A25/14C	Attachments for Ref. No. 5CW/4742, Switch :—				
28M/10328	AGS.2002/C/1	Bolt, 2 BA ... ..	2	—	C	
28W/9419475	SP.15/C	Nut, 2 BA ... ..	2	—	C	
		Washer ... ..	2	—	C	
5CW/4742	DOWTY C.1831 Mk. 1	<b>SWITCH</b> , micro, coded "CH" ... ..	1	—	P	EBR1
28D/9419397	A25/12C	Attachments for Ref. No. 5CW/4742, Switch :—				
28M/10328	AGS.2002/C/1	Bolt, 2 BA ... ..	2	—	C	
28W/9419402	SP.13/C	Nut, 2 BA ... ..	2	—	C	
		Washer ... ..	2	—	C	
		<b>INSTALLATION AT CENTRE LONGERON</b>	1	—	—	
		(Drg. Nos. 10-20 FS 8753 and 10-20 N 11421)				
5CW/9438275	10-20 N 9/146 Mk. 55	<b>CABLE</b> , coded "C.DQ.MCB-MCB.CF.1," assembly	1	—	ECC	EBR1
		<b>SWITCH</b> , micro, Type 1A, coded "DQ" ...	1	—	P	EBR1
		(5930-99-943-8275)				
		Attachments for Ref. No. 5CW/9438275, Switch :—				
28D/1011011	A25/8B	Bolt, 4 BA ... ..	2	—	C	
28M/10327	AGS.2002/B/1	Nut, 4 BA ... ..	2	—	C	
28W/9419401	SP.10/B	Washer ... ..	2	—	C	
		<b>VALVE</b> , canopy seal, code "CF" (See sub-section "QW")	—	—	—	
		<b>INSTALLATION AT FUSELAGE STARBOARD WALL</b> (Drg. Nos. 10-20 N 5545, 10-20 N 11421)	1	—	—	
	10-20 N 20305A	<b>CABLE</b> , bung JB4, assembly (Mod. 1014) (For cables circuit coded "MC")	1	—	ECC	EBR1
	10-20 N 9/146 Mk. 34	<b>CABLE</b> , coded "C2.CD.MCC-MCC.CD.C4," assembly	1	—	ECC	EBR1
	10-20 N 9/164 Mk. 35	<b>CABLE</b> , coded "C4.CD.MCC★-MCC.★27.A3," assembly	1	—	ECC	EBR1
5CW/5048	ROTAX D.9011	<b>SWITCH</b> , magnetic, coded "CD" ... ..	1	—	P	EBR1
28D/9133012	A25/3C	Attachments for D.9011, Switch :—				
6333	10-20 N 5543ND	Bolt, 2 BA ... ..	2	—	C	
28W/9419475	SP.15/C	Collar ... ..	2	—	C	
		Washer ... ..	2	—	C	
		<b>INSTALLATION AT FLOOR BEAM STN. 148"</b>	1	—	—	
		(Drg. No. 10-20 N 9837)				
5X/6133	PLESSEY CZ.28057	<b>PLUG</b> , bulkhead, coded "JB1" ... ..	1	—	C	EBR1

**ELECTRICAL INSTALLATIONS**

**INSTALLATION OF CANOPY OPERATION, CODED "MC"**

Ref. No.	Part No.	Description	No. off						Material Specification	Class of Store or L.M	Plate No.
			1	2	3	4	5	6			
	—	<b>INSTALLATION AT COCKPIT ROOF, STARBOARD SIDE</b> (Drg. No. 10-20 FC 1029)									
5W/2827	ROTAX C.10201	<b>ACTUATOR</b> , rotary, coded "CE" ... ..						1	—	P	EBR1
		Attachments for C.10201, Actuator :—									
28D/1011244	A25/9E	Bolt, 1/4" BSF ... ..						3	—	C	
28M/10290	AGS.2001/E/1	Nut, 1/4" BSF ... ..						3	—	C	
28W/9419405	SP.15/E	Washer ... ..						3	—	C	
	10-20 N 5817A	<b>CABLE</b> , coded "CE," assembly ... ..						1	—	ECC	EBR1
	—	<b>INSTALLATION AT ACCUMULATOR BULK-HEAD</b> , coded "JA" (Drg. Nos. 10-20 N 8337 and 10-20 N 9199)									
	—	<b>BASE</b> , fuse, coded "JAB," group ... ..						1	—	—	
	—	<b>BASE</b> , fuse, assembly (See sub-section EBV) ...						—	—	—	
10H/—	L1330/50	<b>FUSE</b> , 50 amp. (Mod. 1558) ... ..						1	—	C	
	—	<b>BLOCK</b> , fuse, coded "JAE," group ... ..						1	—	—	
	—	<b>BLOCK</b> , fuse, 6-way (See sub-section EBV) ...						—	—	—	
10H/23862	—	<b>FUSE</b> , 10 amp. ... ..						2	—	C	EBR1
	10-20 N 8771A/2	<b>CABLE</b> , coded "JB1," assembly (For cables circuit coded "MC")						1	—	ECC	EBR1
32B/—	—	<b>TAPE</b> , identification, numbers and letters, use from Ref. No. 32B/1087 to 32B/1120 inclusive as required						QR	—	C	



PANEL AU  
 CABLES -  
 IO.20N11787A  
 PRE MOD 96  
 IO.20N22903  
 MOD. 1000  
 indicated  
 thus ●

RELAYS & TERMINAL BLOCKS  
 GROUP T  
 CABLES IO.20N5713 indicated thus B

EXT. COCKPIT  
 WALL PORT

CANOPY

FUSELAGE WALL  
 STARBOARD

ACCUMULATOR  
 BK'HD. JA

CABLES IO.20N13539A indicated thus A

IO.20N9/146 MK.28

IO.20N10765A CABLES indicated thus \*

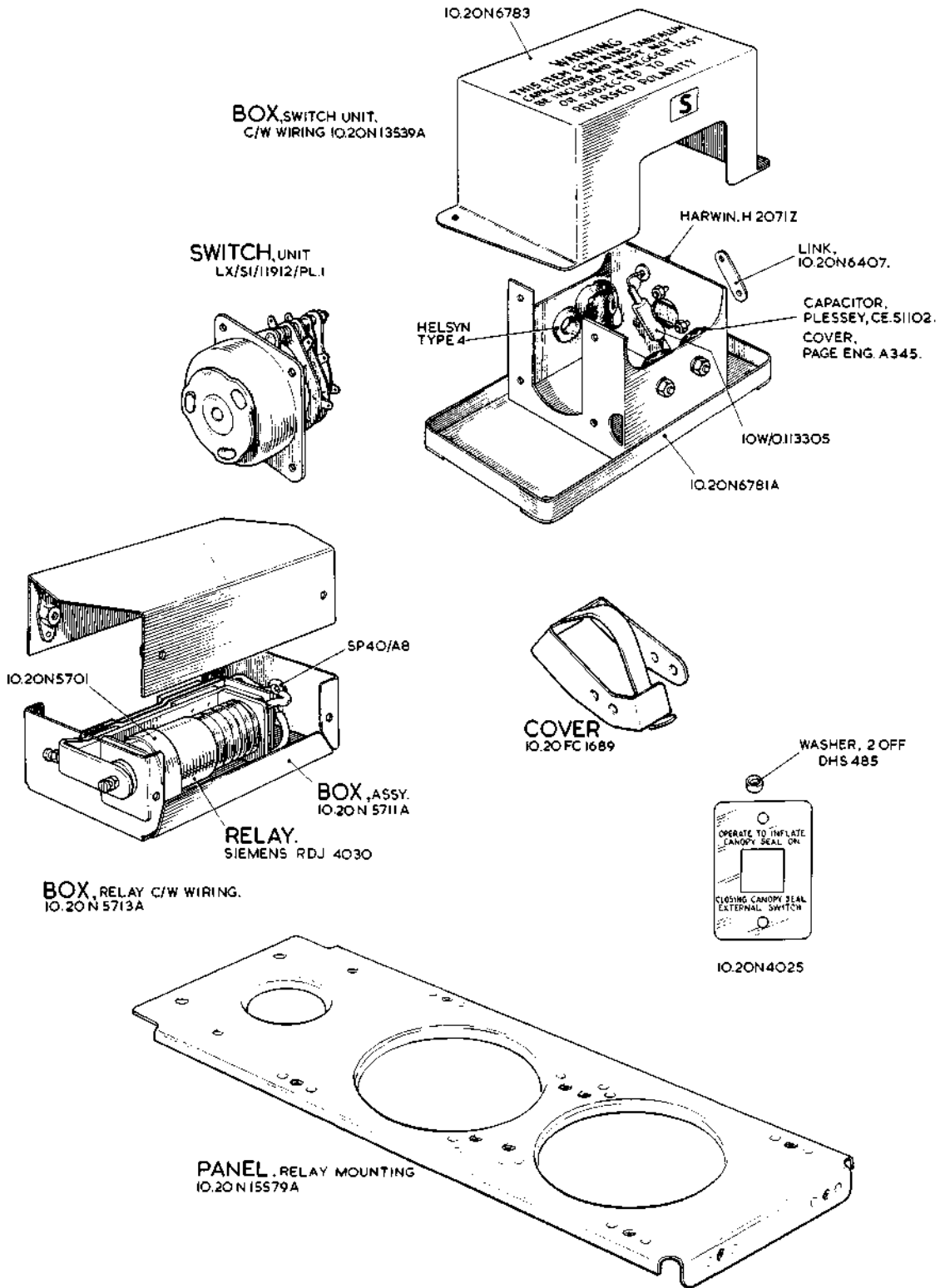
ROUTING CHART  
 IO-20N5/146 Iss. 10

EBR.1

**ELECTRICAL INSTALLATION**  
**CANOPY OPERATION**  
**CODED MC**

RESTRICTED

EBR.1  
 [AL49]





This file was downloaded  
from the RTFM Library.

Link: [www.scottbouch.com/rtfm](http://www.scottbouch.com/rtfm)

Please see site for usage terms,  
and more aircraft documents.