

**ELECTRICAL INSTALLATIONS
INSTALLATION OF 28 VOLT D.C. GENERATORS,
CODED "DA," "DV," "KE," "PA," "PC," "PL," "PW," AND "WJ"**

Ref. No.	Part No.	Description	No. off	Material Specification	Class of Store or L.M	Plate No.
	—	INSTALLATION OF 28 VOLT D.C. GENERATORS, CODED "DA," "DV," "KE," "PA," "PC," "PL," "PW" AND "WJ"	1	—	—	
	—	INSTALLATION AT PILOT'S SWITCH PANEL, CODED "H" (Drg. Nos. 10-20 N 15781 Pre Mod. 803, 10-20 N 22229 Mods. 1053 and 803 and 10-20 N 22379 Mod. 1016)	1	—	—	
	10-20 N 15771/ CABLES	CABLES , link (Pre Mods. 803 and 1540)	...	QR	—	ECC EBT1A
	10-20 N 22251/ CABLES	CABLES , link (Mods. 803 and 1540)	...	QR	—	ECC EBT1A
17284	10-20 N 22233A	GUARD , stich, assembly (Mod. 1016)	...	1	—	C EBT4
		Spares for :—				
12241	10-20 N 10155	PIN	1	—	C EBT4
12242	10-20 N 10133	SPRING	1	—	C EBT4
28W/1200070	SP.23/Y	WASHER	1	—	C
		Attachments for 10-20 N 22233A, Guard :—				
28M/10287	AGS.2001/B/1	Nut, 4 BA	...	2	—	C
28S/9435716	A33/B12	Screw, 4 BA	...	2	—	C
	—	SWITCH , generator isolation, coded "EA" and "EB," group (Mod. 1016)	1	—	—	
5X/—	N.S.F.26655	NUT , lock, hexagonal, to clamp panel at forward switch	1	—	—	
5930-99-051-0583	—	SWITCH , toggle ...	2	—	P	EBT1A
17283	10-20 N 22337	WASHER , to clamp panel at forward switch	1	—	C	EBT4
	—	INSTALLATION AT GENERATOR TEST PANEL, CODED "EA" (Drg. Nos. 10-20 N 11713 and 10-20 N 11421)	1	—	—	
	10-20 N 8911A	CABLE , coded "EA1-Q," assembly	1	—	ECC	EBT1 EBT1A
	10-20 N 14083A	PANEL , generator and fuel pump test, complete with wiring, coded "EA," assembly	1	—	—	EBT4

ELECTRICAL INSTALLATIONS
INSTALLATION OF 28 VOLT D.C. GENERATORS,
CODED "DA," "DV," "KE," "PA," "PC," "PL," "PW," AND "WJ"

Ref. No.	Part No.	Description	No. off	Material Specification	Class of Store or L.M	Plate No.
	10-20 N 14083A/ CABLES	CABLES , link, circuit coded "DA," "DV," "PC," "PL," and "PW," assemblies (Mod. 356)	QR	—	ECC	EBT1A
	10-20 N 14015A	PANEL , generator and fuel pump test, c/w equipment, less wiring, assembly (Mod. 356)	1	—	—	EBT4
	—	ELECTRICAL COMPONENTS ... (For other circuits see appropriate sub-sections)	—	—	—	—
14883	10-20 N 10617A	PANEL , bare, assembly ... (Pre Mod. 827)	1	—	P	EBT4
18446	10-20 N 23237A	PANEL , bare, assembly (Mod. 827)	1	—	P	EBT4
	10-20 N 13057ND	BRACKET , relay, 16 SWG	1	L.72	LM	EBT4
5935-99-056-0200	PLESSEY CZ.49061	PLUG , fixed, 25-pole, coded "EA1"	1	—	C	EBT1 EBT1A EBT1 EBT1A
	5UC/5210	RESISTOR , remote, trimmer, coded "C" and "D" Attachments for Ref. No. 5UC/5210, Resistor :—	2	—	C	EBT1 EBT1A
28D/1214867	AS.1246/5B	Bolt, 4 BA	2	—	C	
28M/10287	AGS.2001/B/1	Nut, 4 BA	2	—	C	
28W/9419474	SP.15/B	Washer	2	—	C	
	5CY/3002	SOCKET , 3 pole, 2 amp, coded "A," "B," "J" and "K" Attachments for Ref. No. 5CY/3002, Socket :—	4	—	C	EBT1 EBT1A
28D/1007973	AS.1242/2B	Bolt, 4 BA	3	—	C	
28M/10287	AGS.2001/B/1	Nut, 4 BA	3	—	C	
28W/9419474	SP.15/B	Washer	3	—	C	
	—	SWITCHES , generator check, Nos. 1 and 2, coded "E," and "F," group	1	—	—	—
5CW/5765	—	GUARD , locking	2	—	C	
28S/1200080	A32/B8	SCREW , 4 BA	8	—	C	
5CW/6441	—	SWITCH , tumbler	2	—	C	EBT1 EBT1A
28W/1206041	AGS.2035/B	WASHER , lock	8	—	C	
5X/1005132	PLESSEY Z.28081	SLEEVE , adapter, at sockets coded "A," "B," "J" and "K"	10	—	C	
5K/9107065	—	SLEEVE , binding	QR	—	C	
5K/9107066	—	SLEEVE , binding	QR	—	C	
	—	Attachments for 10-20 N 14083A, Panel :—				
28S/9435713	A31/C20	Screw, 2 BA	2	—	C	
28S/1007753	A31/C40	Screw, 2 BA	1	—	C	
28S/1011481	A31/C48	Screw, 2 BA	1	—	C	
	AS.2811/5/065	Tube, distance, $\frac{5}{16}$ " o/d x 17 SWG x ".065 long	1	L.62	LM	
	AS.2811/5/092	Tube, distance, $\frac{5}{16}$ " o/d x 17 SWG x 0".92 long	1	L.62	LM	
28W/9419402	SP.13/C	Washer	4	—	C	

**ELECTRICAL INSTALLATIONS
INSTALLATION OF 28 VOLT D.C. GENERATORS
CODED "DA," "DV," "KE," "PA," "PC," "PL," "PW," AND "WJ"**

Ref. No.	Part No.	Description	No. off	Material Specification	Class of Store or L.M	Place No.
	—	INSTALLATION AT REAR PRESSURE BULK-HEAD, CODED "Q" (Drg. Nos. 10-20 N 10635 and 10-20 N 11421)	1	—	—	
	—	BLOCKS , terminal, coded "N" and "P," group	1	—	—	
	DHS.456/20	BLOCK , terminal, 20-way, assembly ... (For breakdown see DHS. Data Sheet)	2	—	—	EBT1
5X/9149643	PLESSEY CZ.25111	COVER , terminal block ...	2	—	C	EBT1A
12732	10-20 N 8085	PILLAR , fixing, 4 BA ...	4	—	C	EBT2
	10-20 N 23103A	CABLE , bung Q1, coded "FB," assembly (Mod. 1120, Pre Mod. 803) (For cables circuit coded "PW")	1	—	ECC	EBT2
	10-20 N 23105A	CABLE , bung Q1, coded "FB," assembly (Mods. 1120 and 803) (For cables circuit coded "PW")	1	—	ECC	EBT2
	10-20 N 22741A	CABLE , bung Q2, coded "FB," assembly (Mod. 1042, Pre Mod. 803) (For cables circuit coded "DA," "DV," "PC," "PL," "PW")	1	—	ECC	EBT1A
	10-20 N 22743A	CABLE , bung Q2, coded "FB," assembly (Mods. 1042 and 803) (For cables circuit coded "DA," "DV," "PC," "PL," "PW")	1	—	ECC	EBT1A
	10-20 N 12551A	CABLE , bung Q4, coded "FB," assembly ... (For cables circuit coded "KE")	1	—	ECC	EBT1A
	10-20 N 12553A	CABLE , bung Q8, coded "FA," assembly ... (Pre Mod. 803) (For cables circuit coded "PW")	1	—	ECC	EBT1A
	10-20 N 14487A	CABLE , bung Q8, coded "FA," assembly (Mod. 803) (For cables circuit coded "PW")	1	—	ECC	EBT1A
	10-20 N 20767A	CABLE , bung Q9, coded "FA-Q," (For cables circuit coded "DA," "DV," "PA," "PC" and "PL," assembly (Mod. 1016)	1	—	ECC	EBT1A
	—	TERMINAL , earth, station 3, coded "A," and "B," group	1	—	—	
26DV/7529	DHS.438/C	TAG , corrosion ...	2	—	C	EBY8

ELECTRICAL INSTALLATIONS
INSTALLATION OF 28 VOLT D.C. GENERATORS
CODED "DA," "DV," "KE," "PA," "PC," "PL," "PW," AND "WJ"

Ref. No.	Part No.	Description	No. off	Material Specification	Class of Store or L.M	Plate No.
26DV/4969	DHS.437/C	TERMINAL , earth, assembly ... (For breakdown see DHS. Data Sheet)	2	—	C	EBT1 EBT1A
28M/10288 28W/9419475	AGS.2001/C/1 SP.15/C	Attachments for DHS.437/C, Terminal :— Nut, 2 BA ... Washer ...	2 2	— —	C C	
	—	INSTALLATION AT PORT WING DECK PANEL, CODED "FA" (Drg. Nos. 10-20 N 11143, 10-20 N 13301A, 10-20 N 13521A and 10-20 N 10819)	1	—	—	
	—	BLOCK , fuse, coded "V," group ...	1	—	—	
	—	BLOCK , fuse, 12-way ... (See sub-section EBV)	1	—	—	
10H/23864	—	FUSE , 5 amp. ...	1	—	C	EBT1 EBT1A
10H/23862	—	FUSE , 10 amp. ...	4	—	C	EBT1 EBT1A EBT1A
5H/83	AS.2765	LINK , commoning, 2-way ... (between terminals 5 and 7)	1	—	C	EBT1 EBT1A
	—	BLOCK , fuse, coded "W," group ...	1	—	—	
10H/23862	—	BLOCK , fuse, 12-way (See sub-section EBV) ... FUSE , 5 amp. ...	1	—	C	EBT1 EBT1A
	—	BLOCK , terminal, coded "A," group ...	1	—	—	
	DHS.456/20	BLOCK , terminal, 20-way, assembly ... (For breakdown see DHS. Data Sheet)	1	—	—	EBT1 EBT1A
5X/9149643 5X/9450403 28W/9419474	PLESSEY CZ.25111 PLESSEY Z.28426 SP.15/B	COVER , terminal block ... PILLAR , fixing, 4 BA ... WASHER ...	1 2 2	— — —	C C C	
	—	BUS-BAR , coded "P," group ...	1	—	—	
	10-20 N 5551A	BUS-BAR , assembly ...	1	—	—	EBT1 EBT1A
	—	Attachments for 10-20 N 5551A, Bus-bar :—				
6639 28S/1011504	BULGIN LTD. 8092 A33/C32	Nut, terminal, insulated, 2 BA ... Screw, 2 BA ...	2 2	— —	C C	
6637	D.POWIS & SON LTD.	Washer, 2 BA, Beryllium Copper ...	2	—	C	
5830	10-20 N 5441	SUPPORT , bracket, bus-bar ...	2	—	C	EBT3
	—	Attachments for 10-20 N 5441, Support :—				
28S/9995376 28W/9419474	A32/B20 SP.15/B	Screw, 4 BA ... Washer ...	2 2	— —	C C	
12693	10-20 N 8021	BUS-BAR , flexible, between circuit-breaker coded "R" and terminal coded "GQ" at rib O, Port	1	—	C	EBT1 EBT1A
	10-20 N 9/101 Mk. 39	CABLE , coded "3.R.FA.PLA-PLA.GR.4," assembly	1	—	ECC	EBT1 EBT1A

ELECTRICAL INSTALLATIONS
INSTALLATION OF 28 VOLT D.C. GENERATORS,
CODED "DA," "DV," "KE," "PA," "PC," "PL," "PW," AND "WJ"

Ref. No.	Part No.	Description	No. off	Material Specification	Class of Store or L.M	Plate No.
	10-20 N 9/101 Mk. 40	CABLE, coded "13.H.FA.PLA-PLA.GX.2," assembly	1	—	ECC	EBT1 EBT1A
	10-20 N 9/101 Mk. 41	CABLE, coded "11.H.FA.PLA-PLA.GX.1," assembly	1	—	ECC	EBT1 EBT1A
	10-20 N 9/101 Mk. 42	CABLE, coded "2.M.FA.PR★-PR★.★8.A.8," assembly	1	—	ECC	EBT1 EBT1A
	10-20 N 9/101 Mk. 43	CABLE, coded "9.X.FA.PWF-PWF.FB.S.9," assembly	1	—	ECC	EBT1 EBT1A
	10-20 N 9/101 Mk. 44	CABLE, coded "10.X.FA.PWF-PWF.FB.S.10," assembly	1	—	ECC	EBT1 EBT1A
	10-20 N 9/101 Mk. 45	CABLE, coded "12.X.FA.PLA★-PLA★.★8.A.5," assembly	1	—	ECC	EBT1 EBT1A
	10-20 N 9/101 Mk. 46	CABLE, coded "7.V.FA.PLA-PLA.GV.1," assembly	1	—	ECC	EBT1 EBT1A
	10-20 N 9/101 Mk. 47	CABLE, coded "2.A.FA.PLA-PLA.GT.1," assembly	1	—	ECC	EBT1 EBT1A
	10-20 N 9/101 Mk. 48	CABLE, coded "1.V.FA.PLC-PLC.GV.2," assembly	1	—	ECC	EBT1 EBT1A
	10-20 N 9/101 Mk. 49	CABLE, coded "8.X.FA.PCA-PCA.GT.7," assembly	1	—	ECC	EBT1 EBT1A
	10-20 N 9/101 Mk. 50	CABLE, coded "P.FA.PLA-PLA.GV.2," assembly	1	—	ECC	EBT1 EBT1A
		Attachments for 10-20 N 9/101 Mk. 50, Cable :—				
28M/10291	AGS.2001/G/1	Nut, 3/8" BSF	1	—	C	
28W/9419403	SP.13/G	Washer	1	—	C	
	10-20 N 9/101 Mk. 51	CABLE, coded "7.X.FA.PCA-PCA.GT.1," assembly	1	—	ECC	EBT1 EBT1A
	10-20 N 9/101 Mk. 54	CABLE, coded "5.H.FA.PLA-PLA.GT.6," assembly	1	—	ECC	EBT1 EBT1A
	10-20 N 9/101 Mk. 55	CABLE, coded "4.H.FA.PCA-PCA.GT.7," assembly	1	—	ECC	EBT1 EBT1A
	10-20 N 9/101 Mk. 57	CABLE, coded "1.H.FA.PLA-PLA.GT.2," assembly	1	—	ECC	EBT1 EBT1A
	10-20 N 9/101 Mk. 58	CABLE, coded "8.H.FA.PLA-PLA.GT.5," assembly	1	—	ECC	EBT1 EBT1A
	10-20 N 9/101 Mk. 60	CABLE, coded "4.R.FA.PLA-PLA.GT.3," assembly	1	—	ECC	EBT1 EBT1A
	10-20 N 9/101 Mk. 61	CABLE, coded "1.A.FA.PLA-PLA.GT.4," assembly	1	—	ECC	EBT1 EBT1A
	10-20 N 9/101 Mk. 62	CABLE, coded "5.R.FA.PLA★-PLA★.★8.A.2," assembly	1	—	ECC	EBT1 EBT1A
	10-20 N 9/101 Mk. 64	CABLE, coded "2.Y.FA.WJ★-WJ★.★8.A.1," assembly	1	—	ECC	EBT1 EBT1A
	10-20 N 9/101 Mk. 66	CABLE, coded "6.Y.FA.WJ-WJ.FB.R.6," assembly	1	—	ECC	EBT1 EBT1A
	10-20 N 9/101 Mk. 67	CABLE, coded "12.H.FA.PA-PA.FB.H.12," assembly	1	—	ECC	EBT1 EBT1A
	10-20 N 9/101 Mk. 68	CABLE, coded "1.AD.FA.PLA-PLA.GV.1," assembly	1	—	ECC	EBT1 EBT1A
	10-20 N 9/101 Mk. 83	CABLE, coded "6.H.FA.PA-PA.FS.H.6," assembly	1	—	ECC	EBT1A

ELECTRICAL INSTALLATIONS
INSTALLATION OF 28 VOLT D.C. GENERATORS,
CODED "DA," "DV," "KE," "PA," "PC," "PL," "PW," AND "WJ"

Ref. No.	Part No.	Description	No. off	Material Specification	Class of Store or L.M.	Place No.
	10-20 N 13521A/ CABLES	CABLES , link (Mod. 482)	QR	—	ECC	EBT1A
	—	CIRCUIT-BREAKER , coded "AD," group	1	—	—	
SCY/4520	—	CAP , protecting	1	—	C	
SCY/2561	—	CIRCUIT-BREAKER , Type A3, 15 amp.	1	—	C	EBT1
28S/9435647	A44/A4	SCREW , 6 BA	2	—	C	
28W/9419474	SP.15/B	WASHER	2	—	C	
SCY/5352	B.T.H. LEA.300/B4	CIRCUIT-BREAKER , reverse current, Type 1B, No. 6, coded "R"	1	—	C	EBT1 EBT1A
		Attachments for Ref. No. 5CY/5352, Circuit- breaker :—				
28M/10288	AGS.2001/C/1	Nut, 2 BA	4	—	C	
28W/9419475	SP.15/C	Washer	4	—	C	
	—	CONTROL UNIT , coded "H," group	1	—	—	
	10-20 N 6741A	CLIP , "P"	2	—	—	EBT3
	10-20 N 6789ND	CLIP , bare, 18 SWG	1	L.72	LM	EBT3
13115	DHS.181/8	TUBING , protective, 8 m/m i/d	QR	P.V.C.	C	EBT3
		Attachments for 10-20 N 6741A, Clip :—				
28D/1215081	AS.1246/8C	Bolt, 2 BA	1	—	C	
5822	10-20 N 4275A	PEDESTAL	4	—	C	EBT3
		Attachments for 10-20 N 4275A, Pedestal :—				
28D/1008149	A25/2B	Bolt, 4 BA	4	—	C	
28W/9419474	SP.15/B	Washer	4	—	C	
20571	10-20 N 24711A	PLATE , support, switchbox, assembly (Mod. 1329)	1	—	C	EBT3
		Attachments for 10-20 N 24711A, Plate :—				
28D/1007975	AS.1242/1C	Bolt, 2 BA	4	—	C	
5CW/11448	A.E.I. LKF.B11	SWITCHBOX , generator control, Type 1B, No. 2, coded "H" (Mod. 1329)	1	—	P	EBT1 EBT1A
		Attachments for Ref. No. 5CW/11448, Switch- box :—				
28D/1215082	AS.1246/9C	Bolt, 2 BA	2	—	C	
28W/9419475	SP.15/C	Washer	4	—	C	

ELECTRICAL INSTALLATIONS
INSTALLATION OF 28 VOLT D.C. GENERATORS,
CODED "DA," "DV," "KE," "PA," "PC," "PL," "PW" AND "WJ"

Ref. No.	Part No.	Description	No. off	Material Specification	Class of Store or L.M	Plate No.
13192	10-20 N 11889	COVER , busbar coded "P," joint. Port ...	1	Fibre-glass	C	EBT4
13194	10-20 N 11899	Attachments for 10-20 N 11889, Cover:— Bolt, $\frac{3}{16}$ "	1	—	C	EBT4
13195	10-20 N 11891	Nut, $\frac{3}{16}$ " milled	1	—	C	EBT4
—	—	LINK , between circuit-breaker coded "R," and magnetic switch, coded "X," group	1	—	—	—
5K/3698	HELLERMANN HV.2910	BOOT	1	—	C	EBT1
6615	10-20 N 4650	LINK	1	—	C	EBT1A
5CW/6452	—	SWITCH , magnetic, Type 9B, No. 1A, coded "M" and "Y"	2	—	P	EBT1
28D/1214865	AS.1246/2B	Attachments for Ref. No. 5CW/6452, Switch:—	—	—	—	EBT1A
28W/9419474	SP.15/B	Bolt, 4 BA	2	—	C	—
—	—	Washer	2	—	C	—
5CW/4840	B.T.H. LDA. 400-B3	SWITCH , magnetic, Type 15B, coded "X" ...	1	—	P	EBT1
28D/1214311	A25/17C	Attachments for Ref. No. 5CW/4840, Switch:—	—	—	—	EBT1A
28W/9419475	SP.15/C	Bolt, 2 BA	4	—	C	—
—	—	Washer	4	—	C	—
—	—	INSTALLATION AT UPPER ACCESSORY BAY, PORT (Drg. Nos. 10-20 N 12399, 10-20 N 12401, 10-20 N 11143, 10-20 4991 and 10-20 N 5813)	1	—	—	—
—	10-20 N 9/101 Mk. 27	CABLE , coded "6.GT.PLA-PLA.GR.3," assembly	1	—	ECC	EBT1
—	10-20 N 9/101 Mk. 38	CABLE , coded "1.GV.PLA-PLA.GR.1," assembly	1	—	ECC	EBT1A
—	10-20 N 9/101 Mk. 59	CABLE , coded "4.GT.PLA★-PLA★.★8.A.3," assembly	1	—	ECC	EBT1
5UC/6360	—	REGULATOR , voltage, Type 114, coded "GT"	1	—	P	EBT1A
—	—	Attachments for Ref. No. 5UC/6360, Regulator:—	—	—	—	EBT1
5629	A27/EP/DHS.514/D	Nut, $\frac{3}{8}$ " BSF	3	—	C	EBT3
28W/9419405	10-20 N 6925	Plate, washer, outboard, 8 SWG	2	L.72	LM	EBT3
28W/9419487	SP.15/E	Washer, inboard	2	—	C	—
—	SP.16/E	Washer, spacing	4	—	C	—
—	—	SHUNT , resistor, positive, on fire extinguisher mounting, coded "GV," group	1	—	—	—
8421	10-20 N 5811A	BRACKET , mounting	1	—	C	EBT3
28E/9130219	AGS.605 Mk. 4	Attachments for 10-20 N 5811A, Bracket:— Clip, adjustable, "Jubilee" Type	2	—	C	—
12699	10-20 N 7431	COVER , positive shunt terminal, bottom, Fibreglass	1	—	C	EBT3
12700	10-20 N 7433	COVER , positive shunt terminal, top, Fibreglass	1	—	C	EBT3
12702	10-20 N 7469	NUT , milled, $\frac{3}{16}$ " BSF	1	—	C	—

ELECTRICAL INSTALLATIONS
INSTALLATION OF 28 VOLT D.C. GENERATORS,
CODED "DA," "DV," "KE," "PA," "PC," "PL," "PW" AND "WJ"

Ref. No.	Part No.	Description	No. off	Material Specification	Class of Store or L.M	Place No.
5UC/5998	B.T.H. LJC/300E.2	SHUNT , equalizing	1	—	P	EBT1 EBT1A
28M/10287 28VV/9419474	AGS.2001/B/1 SP.15/B	Attachments for Ref. No. 5UC/5998, Shunt:— Nut, 4 BA	4	—	C	
		Washer	4	—	C	
5F/2281 5F/2302	—	STRAP , flexible, sucering top cover, 1/2" wide	QR	P.V.C.	C	
		STUD , for 1/2" wide strap	QR	Nylon	C	
		INSTALLATION AT RIB "O" (Drg. Nos. 10-20 N 10819 and 10-20 N 11143)	1	—	—	
12692	10-20 N 8019	BUS-BAR , flexible, between terminal coded "GQ" at rib "O", Starboard and circuit-breaker coded "R" on Panel coded "FB"	1	—	C	EBT2
	10-20 N 9/101 Mk. 25	CABLE , coded "1.C.8★.PLB-PLB.FB.R.5," assembly	1	—	ECC	EBT2
	10-20 N 9/101 Mk. 26	CABLE , coded "2.C.8★.PLB-PLB.GU.4," assembly	1	—	ECC	EBT2
	10-20 N 9/101 Mk. 63	CABLE , coded "5.C.8★.PR★.-PR★.FB.L.2," assembly	1	—	ECC	EBT2
	10-20 N 9/101 Mk. 70	CABLE , coded "12S.FB.PL★-PL★.★8.A.4," assembly	1	—	ECC	EBT2
	—	TERMINAL , coded "CQ" (See sub-section EBV)	—	—	—	
26DV/7529 26DV/4969	DHS.438/C DHS.437/C	TERMINAL , earth, stn. 8, Port, coded "A," group	1	—	—	
		TAG , corrosion	1	—	C	
		TERMINAL , earth, assembly (For breakdown see DHS. Data Sheet)	1	—	C	EBT1 EBT1A
28D/9436920 28M/10328 28VV/9419402	A25/1C AGS.2002/C/1 SP.13/C	Attachments for DHS.437/C, Terminal:— Bolt, 2 BA	2	—	C	
		Nut, 2 BA	2	—	C	
		Washer	2	—	C	
		TERMINAL , earth, stn. 8, Starboard, coded "C," group	1	—	—	
26DV/7529 26DV/4969	DHS.438/C DHS.437/C	TAG , corrosion	1	—	C	
		TERMINAL , earth, assembly (For breakdown see DHS. Data Sheet)	1	—	C	EBT2
28M/10328 28S/1007443 28VV/9419402	AGS.2002/C/1 A32/C18 SP.13/C	Attachments for DHS.437/C, Terminal:— Nut, 2 BA	2	—	C	
		Screw, 2 BA	2	—	C	
		Washer	2	—	C	
		INSTALLATION AT STARBOARD WING DECK PANEL, CODED "FB" (Drg. Nos. 10-20 N 14863A, 10-20 N 11143 and 10-20 N 14899A)	1	—	—	
		BLOCK , fuse, coded "T," group	1	—	—	
		BLOCK , fuse, 12-way, coded "T" (See sub-section EBV)	1	—	—	

ELECTRICAL INSTALLATIONS
INSTALLATION OF 28 VOLT D.C. GENERATORS,
CODED "DA," "DV," "KE," "PA," "PC," "PL," "PW," AND "WJ"

Ref. No.	Part No.	Description	No. off						Material Specification	Class of Store or LM	Plate No.
			1	2	3	4	5	6			
10H/23862	—	FUSE , 10 amp.	1	—	—	—	—	—	C	EBT2	
	—	BLOCK , fuse, coded "U," group	1	—	—	—	—	—	—	—	
	—	BLOCK , fuse, 12-way, coded "U" (See sub-section EBV)	1	—	—	—	—	—	—	—	
10H/23864	—	FUSE , 5 amp.	1	—	—	—	—	—	C	EBT2	
10H/23862	—	FUSE , 10 amp.	4	—	—	—	—	—	C	EBT2	
	—	BLOCK , terminal, coded "A," group	1	—	—	—	—	—	—	—	
	DHS.456/20	BLOCK , terminal, 20-way, assembly (For breakdown see DHS. Data Sheet)	1	—	—	—	—	—	—	EBT2	
5X/9149643	PLESSEY CZ.25111	COVER , terminal block	1	—	—	—	—	—	C	—	
5X/9450403	PLESSEY Z.28426	PILLAR , fixing, 4 BA	2	—	—	—	—	—	C	—	
28W/9419474	SP.15/B	WASHER	2	—	—	—	—	—	C	—	
	—	BUS-BAR , coded "W," group	1	—	—	—	—	—	—	—	
	10-20 N 5413A	BUS-BAR , assembly	1	—	—	—	—	—	—	EBT2	
	—	Attachments for 10-20 N 5413A, Bus-bar :—									
6639	BULGIN LTD. 8092	Nut, terminal, insulated, 2A	2	—	—	—	—	—	C	—	
28S/9140929	A33/C12	Screw, 2 BA	2	—	—	—	—	—	C	—	
6637	D. POWIS & SON LTD.	Washer, 2 BA	2	—	—	—	—	—	C	—	
5830	10-20 N 5441	SUPPORT , bracket, bus-bar	2	—	—	—	—	—	C	EBT3	
	—	Attachments for 10-20 N 5441, Support :—									
28S/9995376	A32/B20	Screw, 4 BA	2	—	—	—	—	—	C	—	
28W/9419474	SP.15/B	Washer	2	—	—	—	—	—	C	—	
	10-20 N 9/101 Mk. 1	CABLE , coded "4.GS.PLB-PLB.FB.R.3," assembly	1	—	—	—	—	—	ECC	EBT2	
	10-20 N 9/101 Mk. 3	CABLE , coded "11.H.FB.PLB-PLB.GY.1," assembly	1	—	—	—	—	—	ECC	EBT2	
	10-20 N 9/101 Mk. 4	CABLE , coded "13.H.FB.PLB-PLB.GY.2," assembly	1	—	—	—	—	—	ECC	EBT2	
	10-20 N 9/101 Mk. 8	CABLE , coded "7.S.FB.PLB-PLB.GU.1," assembly	1	—	—	—	—	—	ECC	EBT2	
	10-20 N 9/101 Mk. 9	CABLE , coded "8.S.FB.PLB-PLB.GU.7," assembly	1	—	—	—	—	—	ECC	EBT2	
	10-20 N 9/101 Mk. 10	CABLE , coded "1.U.FB.PLD-PLD.GW.2," assembly	1	—	—	—	—	—	ECC	EBT2	
	10-20 N 9/101 Mk. 11	CABLE , coded "W.FB.PLB-PLB.GW.2," assembly	1	—	—	—	—	—	ECC	EBT2	
	10-20 N 9/101 Mk. 12	CABLE , coded "3.U.FB.DVB-DVB.GW.1," assembly	1	—	—	—	—	—	ECC	EBT2	
	10-20 N 9/101 Mk. 17	CABLE , coded "5.H.FB.PLB-PLB.GU.6," assembly	1	—	—	—	—	—	ECC	EBT2	
	10-20 N 9/101 Mk. 18	CABLE , coded "4.H.FB.PLB-PLB.GU.7," assembly	1	—	—	—	—	—	ECC	EBT2	
	10-20 N 9/101 Mk. 19	CABLE , coded "1.H.FB.PLB-PLB.GU.2," assembly	1	—	—	—	—	—	ECC	EBT2	
	10-20 N 9/101 Mk. 20	CABLE , coded "8.H.FB.PLB-PLB.GU.5," assembly	1	—	—	—	—	—	ECC	EBT2	
	10-20 N 9/101 Mk. 22	CABLE , coded "2.A.FB.PLB-PLB.GU.4," assembly	1	—	—	—	—	—	ECC	EBT2	
	10-20 N 9/101 Mk. 23	CABLE , coded "1.A.FB.PLB-PLB.GU.1," assembly	1	—	—	—	—	—	ECC	EBT2	
	10-20 N 9/101 Mk. 24	CABLE , coded "4.R.FB.PLB-PLB.GU.3," assembly	1	—	—	—	—	—	ECC	EBT2	
	10-20 N 9/101 Mk. 69	CABLE , coded "1.AA.FB.PLB-PLB.GW.1," assembly	1	—	—	—	—	—	ECC	EBT2	
	10-20 N 14899A/ CABLES	CABLES , link (Mod. 372) (For use on Mod. 2 A/C)	QR	—	—	—	—	—	ECC	EBT2	
5CY/4520	—	CIRCUIT-BREAKER , coded "AA," group ...	1	—	—	—	—	—	—	—	
	—	CAP , protecting	1	—	—	—	—	—	C	—	

**ELECTRICAL INSTALLATIONS
INSTALLATION OF 28 VOLT D.C. GENERATORS,
CODED "DA," "DV," "KE," "PA," "PC," "PL," "PW," AND "WJ"**

Ref. No.	Part No.	Description	No. off	Material Specification	Class of Score or L.M	Plate No.
5CY/2561	—	CIRCUIT-BREAKER , Type A3, 15 amp. ...	1	—	C	EBT2
28S/9435647	A44/A4	SCREW , 6 BA ...	2	—	C	
28W/9419474	SP.15/B	WASHER ...	2	—	C	
5CY/5352	B.T.H. LEA.300/B4	CIRCUIT-BREAKER , reverse current, Type 1B, No. 6, coded "R" Attachments for Ref. No. 5CY/5352, Circuit-breaker :—	1	—	C	EBT2
28M/10288	AGS.2001/C/1	Nut, 2 BA ...	4	—	C	
28W/9419475	SP.15/C	Washer ...	4	—	C	
	—	CONTROL UNIT , coded "H," group ...	1	—	—	EBT3
	10-20 N 6741A	CLIP , "P" ...	2	—	—	
	10-20 N 6789ND	CLIP , bare, 18 SWG ...	1	L.72	LM	
13115	DHS.181/8	TUBING , protective, 8 m/m i/d ... Attachments for 10-20 N 6741A, Clip :—	QR	P.V.C.	C	EBT3
28D/1215081	AS.1246/8C	Bolt , 2 BA ...	1	—	C	
5822	10-20 N 4275A	PEDESTAL ... Attachments for 10-20 N 4275A, Pedestal :—	4	—	C	EBT3
28D/1008149	A25/2B	Bolt , 4 BA ...	4	—	C	
28W/9419474	SP.15/B	Washer ...	4	—	C	
20571	10-20 N 24711A	PLATE , support, switchbox, assembly ... (Mod. 1329) Attachments for 10-20 N 24711A, Plate :—	1	—	C	EBT3
28D/1007975	AS.1242/1C	Bolt , 2 BA ...	4	—	C	
5CW/11448	A.E.I. LKF.B11	SWITCHGEAR , generator control, Type 1B, No. 2, coded "H" (Mod. 1329) Attachments for Ref. No. 5CW/11448, Switchbox :—	1	—	P	EBT2
28D/1215082	AS.1246/9C	Bolt , 2 BA ...	2	—	C	
28W/9419475	SP.15/C	Washer ...	4	—	C	
	—	LINK , between circuit-breaker, coded "R" and magnetic switch, coded "S," group	1	—	—	

ELECTRICAL INSTALLATIONS
INSTALLATION OF 28 VOLT D.C. GENERATORS,
CODED "DA," "DV," "KE," "PA," "PC," "PL," "PW," AND "WJ"

Ref. No.	Part No.	Description	No. off	Material Specification	Class of Store or L.M	Place No.
5K/3698 6616 5CW/6452	HELLERMANN HV.2910 10-20 N 4649 —	BOOT LINK SWITCH , magnetic, Type 9B, No. 1A, coded "L" Attachments for Ref. No. 5CW/6452, Switch :—	1 1 1	— — —	C C P	EBT2 EBT2
28D/1214865 28W/9419474	AS.1246/2B SP.15/B	Bolt, 4 BA Washer	2 2	— —	C C	
5CW/4840	B.T.H. LDA.400-B3	SWITCH , magnetic, Type 15B, coded "S" Attachments for Ref. No. 5CW/4840, Switch :—	1	—	P	EBT2
28D/1214311 28W/9419475	A25/17C SP.15/C	Bolt, 2 BA Washer	4 4	— —	C C	
	—	INSTALLATION AT UPPER ACCESSORY BAY, STARBOARD (Drg. Nos. 10-20 N 12399, 10-20 N 12401, 10-20 N 4991, 10-20 N 5813 and 10-20 N 6361)	1	—	—	
	10-20 N 9/101 Mk. 2	CABLE , coded "3.GS.PLB-PLB.GU.6," assembly	1	—	ECC	EBT2
	10-20 N 9/601 Mk. 5	CABLE , coded "1.GW.PLB-PLB.GS.1," assembly (For use on Mod. 2 A/C)	1	—	ECC	EBT2
	10-20 N 9/601 Mk. 7	CABLE , coded "1.25★.PLB-PLB.GY.1," assembly (For use on Mod. 2 A/C)	1	—	ECC	EBT2
	10-20 N 9/101 Mk. 14	CABLE , coded "1.25★.PLA-PLA.GX.2," assembly	1	—	ECC	EBT2
5UC/6360	—	REGULATOR , voltage, Type 114, coded "GU" Attachments for Ref. No. 5UC/6360, Regulator :—	1	—	P	EBT2
5629	A27/EP/DHS.514/D 10-20 N 6925	Nut, 1/2" BSF Plate, washer, outboard, 18 SWG	3 2	— L.72	C LM	EBT3
28W/9419405 28W/9419487	SP.15/E SP.16/E	Washer, inboard Washer, spacing	2 4	— —	C C	
	—	SHUNT , resistor, positive, on fire extinguisher mounting, coded "GW," group	1	—	—	EBT2
8421	10-20 N 5811A	BRACKET , mounting Attachments for 10-20 N 5811A, Bracket :—	1	—	C	EBT3
28E/9130219	AGS.605 Mk. 4	Clip, adjustable, "Jubilee" type	2	—	C	
12701 12702 5UC/5998	10-20 N 7429 10-20 N 7469 B.T.H. LJC/300.E2	COVER , positive shunt terminal, fibreglass NUT , milled, 3/8" BSF SHUNT , equalizing	2 2 1	— — —	C C P	EBT3 EBT3 EBT2
28M/10287 28W/9419475	AGS.2001/B/1 SP.15/C	Attachments for Ref. No. 5UC/5998, Shunt :— Nut, 4 BA Washer	4 4 4	— — —	C C C	

ELECTRICAL INSTALLATIONS
INSTALLATION OF 28 VOLT D.C. GENERATORS,
CODED "DA," "DV," "KE," "PA," "PC," "PL," "PW," AND "WJ"

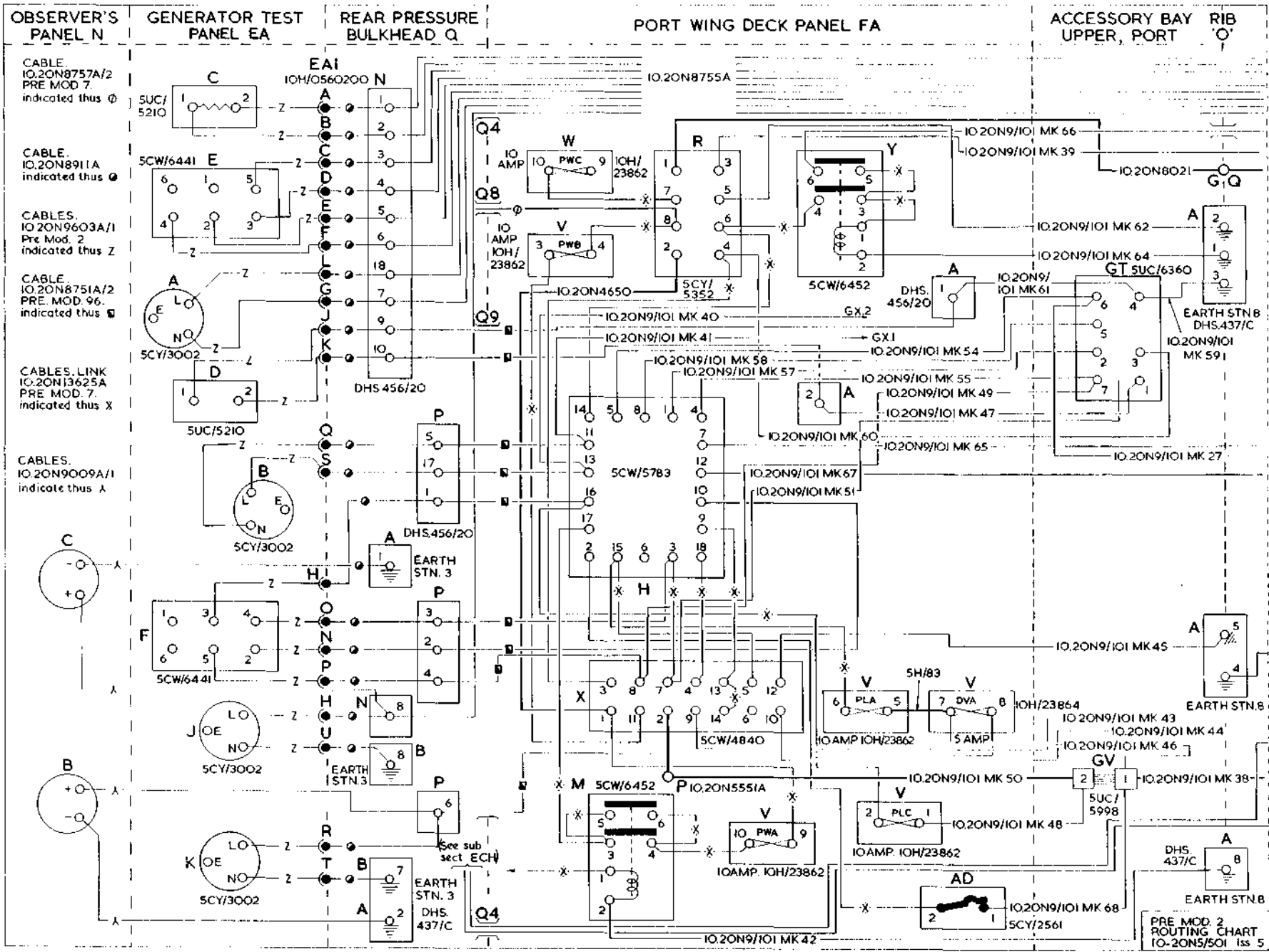
Ref. No.	Part No.	Description	No. off						Material Specification	Class of Score or L.M	Plate No.
			1	2	3	4	5	6			
		TERMINAL , earth, station 25, coded "A" at rib "O," group (Drg. Nos. 10-20 WC 29639A, 10-20 WC 29643A and 10-20 N 6361)						1	—	—	EBT2
8123	10-20 N 6277	BOLT , earth, $\frac{3}{8}$ " BSF						1	—	C	EBT3
28M/10292	AGS.2001/J/1	Attachments for 10-20 N 6277, Bolt :—						1	—	C	
28W/9419466	SP.13/J	Nut, $\frac{3}{8}$ " BSF						1	—	C	
		Washer						1	—	C	
	10-20 N 7293A	PLATE , earth, L.H., assembly						1	—	—	EBT3
	10-20 N 6281ND	LUG , ".75 x ".5 x ".13 (10 SWG)						2	BS.899	LM	EBT3
	10-20 N 7297ND	PLATE , bare, 4"-6 x 1"-22 x ".25 (3 SWG)						1	BS.899	LM	EBT3
	10-20 N 7299ND	PLATE , coamp						1	BS.1432	LM	EBT3
28S/9446552	A45/B16	SCREW , 4 BA						1	BS.899	C	
	10-20 N 7295A	PLATE , earth, R.H., assembly						1	BS.1433	LM	EBT3
	10-20 N 6281ND	LUG , ".75 x ".5 x ".13 (10 SWG)						1	BS.1432	LM	EBT3
	10-20 N 7311ND	PLATE , 5"-3 x 1"-22 x ".25 (3 SWG)						1	BS.899 or BS.1432	LM	EBT3
		Attachments for 10-20 N 7293A and 10-20 N 7295A, Plates (per pair) :—									
28D/1010132	A25/12E	Bolt, $\frac{3}{8}$ " BSF						5	—	C	
28M/1011475	A27/EP	Nut, $\frac{3}{8}$ " BSF						5	—	C	
	10-20 N 6299	Strip, anti-corrosion, 22 SWG						2	L.16	LM	EBT3
28W/9418921	SP.13/E	Washer						5	—	C	
		INSTALLATION AT LOWER ACCESSORY BAY (Drg. Nos. 10-20 N 12401, 10-20 N 6221 and 10-20 N 6251)						1	—	—	
		BLOCK , clamp, for cables at front firewall (See subsection LA)						—	—	—	
17342	10-20 N 7397A	BUS-BAR , between equalizing shunt, coded "GX" and generator, coded "GR," Port, assembly						1	—	C	EBT2
	10-20 N 7403ND	BUS-BAR , centre portion, $\frac{3}{4}$ " x $\frac{1}{16}$ "						1	BS.899 or BS.1432	LM	
	10-20 N 7401ND	BUS-BAR , end portion, $\frac{3}{4}$ " x $\frac{3}{16}$ "						1	BS.899 or BS.1432	LM	
	10-20 N 7399ND	BUS-BAR , end portion, ".75 dia.						1	BS.1433	LM	
17095	10-20 N 6173A	BUS-BAR , between equalizing shunt, coded "GY" and generator, coded "GS," Starboard, assembly						1	—	C	EBT2
	10-20 N 6179ND	BUS-BAR , centre portion, $\frac{3}{4}$ " x $\frac{3}{16}$ "						1	BS.899 or BS.1432	LM	
	10-20 N 6175ND	BUS-BAR , end portion, ".7 x $\frac{3}{16}$ "						1	BS.899 or BS.1432	LM	
	10-20 N 6177ND	BUS-BAR , end portion, $\frac{3}{4}$ " x $\frac{1}{16}$ "						1	BS.899 or BS.1432	LM	
		SHUNT , resistor, negative, coded "GX" at generator, Port, group						1	—	—	

ELECTRICAL INSTALLATIONS
INSTALLATION OF 28 VOLT D.C. GENERATORS,
CODED "DA," "DV," "KE," "PA," "PC," "PL" "PW," AND "WJ"

Ref. No.	Part No.	Description	No. off	Material Specification	Class of Store or L.M	Plate No.
5UC/5998	B.T.H. LJC/300.E.2	SHUNT , equalizing	1	—	P	EBT2
28M/10287	AGS.2001/B/1	Attachments for Ref. No. 5UC/5998, Shunt :—				
28W/9419465	SP.13/B	Nut, 4 BA	4	—	C	
		Washer	4	—	C	
	10-20 N 6073A	STRAP , shunt mounting, assembly (For spares use 10-20 N 11815A/ND)	1	—	—	EBT3
12581	10-20 N 11815A/ND	STRAP , shunt mounting, assembly (Spares condition)	1	—	C	
		Spares for :—				
28S/1011481	A31/C48	SCREW , 2 BA (lock to DHS.514/D) ...	1	—	C	
	10-20 N 6077ND	STRAP , centre portion, 18 SWG ...	1	L.72	LM	EBT3
	10-20 N 6079ND	STRAP , end portion, 18 SWG ...	1	L.72	LM	EBT3
	10-20 WC 21475	TRUNNION , plain hole, No. 11 drill ...	1	S.92	—	EBT3
	10-20 N 6081	TRUNNION , tapped, 2 BA ...	1	S.92	—	EBT3
	—	SHUNT , resistor, negative, coded "GY," at generator, Starboard, group	1	—	—	
5UC/5998	B.T.H. LJC/300.E.2	SHUNT , equalizing	1	—	P	EBT2
28M/10287	AGS.2001/B/1	Attachments for Ref. No. 5UC/5998, Shunt :—				
28W/9419465	SP.13/B	Nut, 4 BA	4	—	C	
		Washer	4	—	C	
	10-20 N 6074A	STRAP , shunt mounting, assembly (For spares use 10-20 N 11816A/ND)	1	—	—	EBT3
12582	10-20 N 11816A/ND	STRAP , shunt mounting, assembly (Spares condition)	1	—	C	
		Spares for :—				
28S/1011481	A31/C48	SCREW , 2 BA (lock to DHS.514/D) ...	1	—	C	
	10-20 N 6077ND	STRAP , centre portion, 18 SWG ...	1	L.72	LM	EBT3
	10-20 N 6079ND	STRAP , end portion, 18 SWG ...	1	L.72	LM	EBT3
	10-20 WC 21475	TRUNNION , plain hole, No. 11 drill ...	1	S.92	—	EBT3
	10-20 N 6081	TRUNNION , tapped 2 BA ...	1	S.92	—	EBT3
	—	INSTALLATION AT PORT ENGINE ...	1	—	—	
	—	GENERATOR , coded "GR" (See sub-section MC)	—	—	—	
	—	INSTALLATION AT STARBOARD ENGINE ...	1	—	—	
	—	GENERATOR , coded "GS" (See sub-section MC)	—	—	—	
	—	STRAP , flexible, cable fastening, $\frac{3}{8}$ " wide ...	QR	P.V.C.	C	
	—	STRAP , flexible, cable fastening, $\frac{1}{2}$ " wide ...	QR	P.V.C.	C	
	—	STUD , nylon, for $\frac{3}{8}$ " cable fastening strap ...	QR	Nylon	C	
	—	STUD , nylon, for $\frac{1}{2}$ " cable fastening strap ...	QR	Nylon	C	
	—	TAPE , identification, numbers and letters, use from Ref. Nos. 32B/1087 to 32B/1120 inclusive, as required	QR	—	C	

SF/9434858 SF/2279
SF/9434857 SF/2281
SF/2307
SF/2302
32B/

A.L.61



EBT.1

ELECTRICAL INSTALLATION

GENERATORS

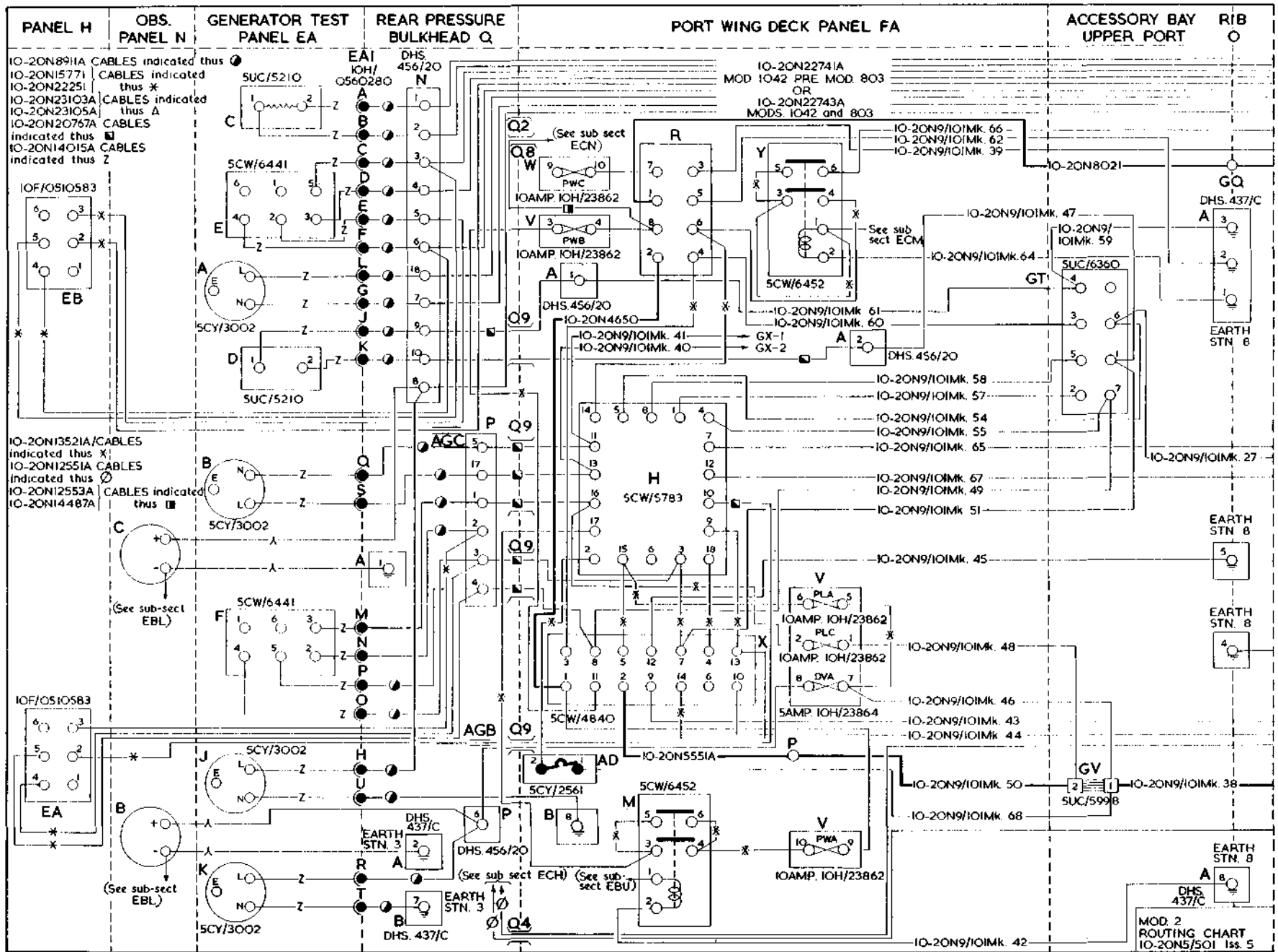
CODED PC,PW,DV,PL,KE,DA,PA,WJ

EBT.1

[AL49]

RESTRICTED

PRE MOD. 2
ROUTING CHART
IO-2ON5/501 Iss 5



MOD. 2 ROUTING CHART IO-20N5/501 Iss. 5

EBT.1A
AL 391

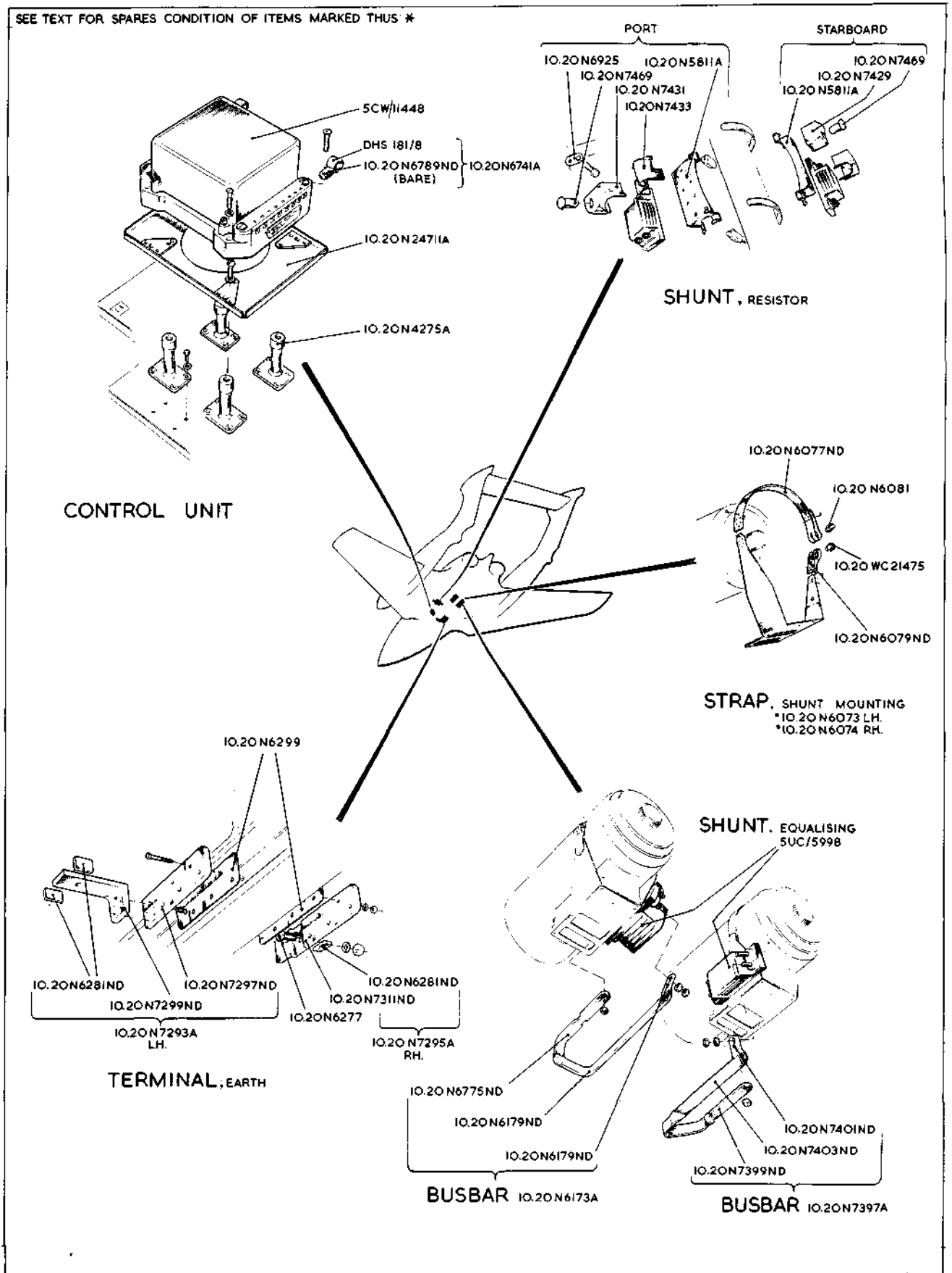
ELECTRICAL INSTALLATION

EBT.1A

GENERATORS
CODED PC,PW,DV,PL,KE,DA,PA,WJ

RESTRICTED

SEE TEXT FOR SPARES CONDITION OF ITEMS MARKED THUS *

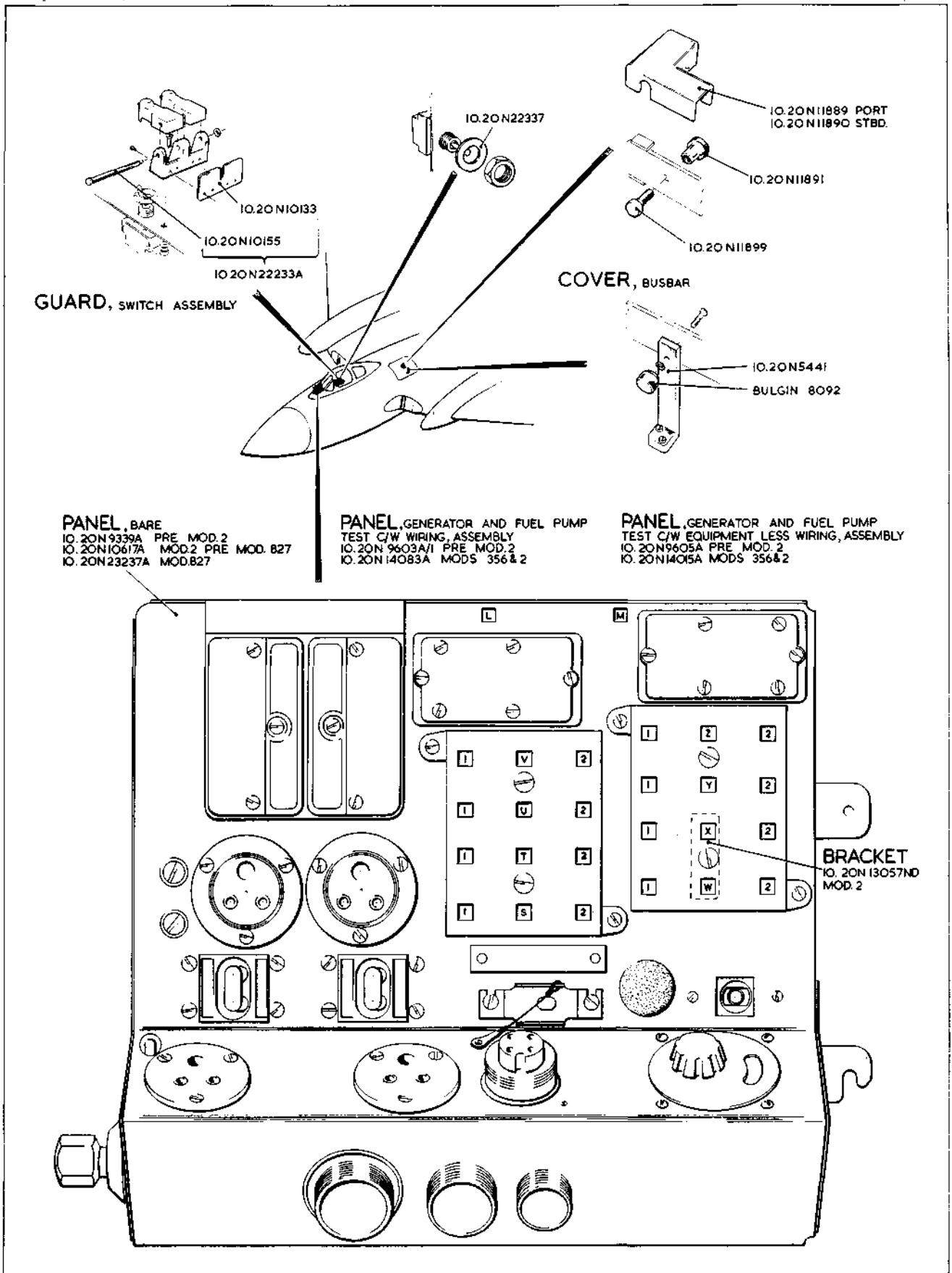


EBT.3

ELECTRICAL INSTALLATION GENERATORS

EBT.3
[A.L. 68]

CODED PC,PW,DV,PL,KE,DA,PA,WJ



EBT.4

ELECTRICAL INSTALLATION
GENERATORS
CODED PC,PW,DV,PL,KE,DA,PA,WJ

EBT.4
[A.L.68]

This file was downloaded
from the RTFM Library.

Link: www.scottbouch.com/rtfm

Please see site for usage terms,
and more aircraft documents.

