

ELECTRICAL INSTALLATIONS

INSTALLATION OF FUEL PUMPS, CODED "QP"

Ref. No.	Part No.	Description	No. off	Material Specification	Class of Store or L.M	Place No.
		INSTALLATION OF FUEL PUMPS, CODED "QP"	1	—	—	
		INSTALLATION AT PILOT'S SWITCH PANEL, CODED "H" (Drg. Nos. 10-20 N 15777, 10-20 N 22227 and 10-20 N 11421)	1	—	—	
		BLOCKS, connector, coded "CY1" and "CY2," group	1	—	—	EBX1
5X/9009	AS.2698	ADAPTER, lug, cable	2	—	C	
5X/9000	AS.2654	BLOCK, connector, 1-way, 200 amps. ...	1	—	C	EBX1
28D/0130082	AS.1246/3B	BOLT, 4 BA	2	—	C	
5X/9001	AS.2655	COVER	1	—	C	
		BLOCK, terminal, coded "CK," group ...	1	—	—	
	DHS.456/20L	BLOCK, terminal, 20-way, assembly ...	1	—	—	EBX1
		(For breakdown see DHS. Data Sheet)				
5X/9149643	PLESSEY CZ.25111	COVER (5940-99-914-9643)	1	—	C	EBX3
7657	DHS.870/5	PILLAR, fixing, 4 BA	2	—	C	EBX3
26DV/12296	DHS.489/5	SPACER	2	—	C	EBX3
		BLOCK, terminal, coded "CN," group ...	1	—	—	EBX1
	DHS.456/5L	BLOCK, terminal, 5-way, assembly ...	1	—	—	EBX1
		(For breakdown see DHS. Data Sheet)				
5X/9149641	PLESSEY CZ.26805	COVER (5940-99-914-9641)	1	—	C	EBX3
12732	10-20 N 8085	PILLAR, fixing, 4 BA	2	—	C	EBX3
		BLOCK, terminal, coded "DB," group ...	1	—	—	EBX1
	DHS.456/20L	BLOCK, terminal, 20-way, assembly ...	1	—	—	EBX1
		(For breakdown see DHS. Data Sheet)				
5X/9149643	PLESSEY CZ.25111	COVER (5940-99-914-9643)	1	—	C	EBX3
7657	DHS.870/5	PILLAR, fixing, 4 BA	2	—	C	EBX3
26DV/12296	DHS.489/5	SPACER	2	—	C	EBX3
		BOARD, terminal, coded "CZ," group ...	1	—	—	EBX1
5X/9402793	AS.2652	BOARD, terminal (5940-99-940-2793) ...	1	—	C	EBX1
28D/9130082	AS.1246/3B	BOLT, 4 BA (Pre Mod. 1053)	2	—	C	
28D/1007979	AS.1246/1B	BOLT, 4 BA (Mod. 1053)	2	—	C	
5X/9402797	AS.2639	COVER, terminal board (5950-99-940-2797)	1	—	C	
5X/9402798	AS.2641	TERMINAL, double tier (5940-99-940-2798)	3	—	C	
28W/9419465	SP.13/B	WASHER	2	—	C	
	10-20 N 9/605 Mk. 29	CABLE, coded "7.CK.H.QPD-QPD.Q.AD.10," assembly	1	—	ECC	EBX1
	10-20 N 12983A	CABLE, coded "EA3-H," assembly (Mods. 2 and 655)	1	—	ECC	EBX1
	10-20 N 15025A	CABLE, coded "H-EA," assembly (Mod. 883) ...	1	—	ECC	EBX1
	10-20 N 15031A	CABLE, coded "H-S," assembly (Mod. 883) ...	1	—	ECC	EBX1
	10-20 N 12973A/	CABLES, assembly (Mod. 2)	QR	—	ECC	EBX1
	10-20 N 15771/	CABLES, link (Pre Mod. 803 A/C)	QR	—	ECC	EBX1
	CABLES					
	OR					
	10-20 N 22251/	CABLES, link (Mod. 803 A/C)	QR	—	ECC	EBX1
	CABLES					
5CY/4520	—	CAP, protecting, circuit-breaker (Mod. 885) ...	8	—	C	
		Attachments for Ref. No. 5CY/4520, Cap:—				
28S/1213081	A.44/A6	Screw, 6 BA	2	—	C	
5CY/9992777	—	CIRCUIT-BREAKER, Type A.4, 25 amps., coded "AA," "AB," "AC," "AF," "AG" and "AH" (5925-99-999-2777)	6	—	P	EBX1
5CY/2564	—	CIRCUIT-BREAKER, Type A.6, 45 amps., coded "AD" and "AE"	2	—	P	EBX1
		Attachments for Ref. No. 5CY/9992777 or 5CY/2564, Circuit-Breaker:—				
28M/15819	AGS.2021/B/1	Nut, 4 BA	2	—	C	
5X/9003	—	LINK, commoning, 2-way, for terminal board coded "CZ"	1	—	C	EBX1

ELECTRICAL INSTALLATIONS
INSTALLATION OF FUEL PUMPS, CODED "QP"

Ref. No.	Part No.	Description	No. off	Material Specification	Class of Score or L.M	Plate No.
16010	10-20 N 7785A	SWITCH , emergency change-over, coded "AS/A," assembly	1	—	—	EBX1 EBX3
	10-20 N 12829ND	HANDLE , Santon switch (Modified) ...	1	—	C	EBX3
	10-20 N 7687A	PLATE , front, assembly (Fit as substitute for Santon front plate)	—	—	—	—
28M/11652	AGS.2011/C/1	NUT , 2 BA ...	3	—	C	—
5CW/6340	10-20 N 8363ND	PLATE , bare, 12 SWG ...	1	S.511	—	EBX3
	SANTON R.3414/BL35	SWITCH , rotary ...	1	—	P	EBX3
16011	10-20 N 7787A	SWITCH , selector, fuel emergency, coded "AS/B," assembly	1	—	—	EBX1 EBX3
	10-20 N 12823ND	HANDLE , Santon switch (Modified) ...	1	—	C	EBX3
28M/11652	10-20 N 7689A	PLATE , front, assembly (Fit as substitute for Santon front plate)	—	—	—	—
	AGS.2011/C/1	NUT , 2 BA ...	1	—	C	—
5CW/6341	10-20 N 8363ND	PLATE , bare, 14 SWG ...	1	S.511	—	EBX3
	SANTON R.219/FS	SWITCH , selector ...	1	—	P	EBX3
7653	10-20 N 6717A	SWITCH , S/P. with dolly extension, coded "CA," "CB," "CC," "CD," "CE," "CF," "CG" and "CH," assembly	8	—	—	EBX1 EBX3
	10-20 N 6633	SLEEVE , switch dolly ...	1	—	C	EBX3
5CW/6430	—	SWITCH , tumbler, S/P, No. 3 ...	1	—	P	EBX3
7650	10-20 N 4753	Attachments for 10-20 N 6717A, Switch :— Screw, 4 BA ...	2	—	C	EBX3
—	—	INSTALLATION AT RELAY GROUP, CODED "T," STARBOARD, STATION 107" (Drg. Nos. 10-20 N 5733, 10-20 FS 20479)	1	—	—	—
5CW/6852	10-20 N 15027A	RELAY , coded "T-Q," assembly (Mod. 883) ...	1	—	—	—
	10-20 N 15033A/ND	CABLE , coded "T-Q," assembly ...	1	—	LM	EBX1
	10-20 N 15027A/ CABLES	CABLES ...	6	—	ECC	—
28S/1009187	—	SWITCH , magnetic, Type 10B, No. 14 ...	1	—	P	EBX1
	A32/B36	Attachments for Ref. No. 5CW/6852, Switch :— Screw, 4 BA ...	2	—	C	—
26DV/7529 6608	—	TERMINAL , earth, station 29, coded "A," group	1	—	—	—
	DHS.438/C	TAG , corrosion ...	1	—	C	EBX3
26DV/11786 12687 12688 26DV/11785 5X/9028 26DV/11797	10-20 N 2295A	TERMINAL , earth, 45°, assembly ...	1	—	C	EBX1 EBG1A
	10-20 N 2297A	BRACKET , assembly ...	1	—	LM	EBG1A
	DHS.436ND	PLATE , doubling, 14 SWG ...	1	BS.265	LM	EBG1A
	10-20 N 2299ND	PLATE , terminal, 16 SWG ...	1	BS.265	LM	EBG1A
	AS.2751	CIRCLIP ...	4	—	C	EBG1A
	DHS.379/1	LABEL , half ...	1	—	C	EBG1A
	DHS.379/2	LABEL , half ...	1	—	C	EBG1A
	AS.2749	SOCKET , half ...	8	—	C	EBG1A
	AS.2747	SOCKET , terminal, assembly ...	4	—	C	EBG1A
	AS.2752	SPACER ...	4	—	C	EBG1A
28D/9140202 28M/10288 28W/9419454	AS.1246/1C AGS.2001/C/1 SP.10/C	Attachments for 10-20 N 2295A, Terminal :— (Mod. 1085) Bolt, 2 BA ... Nut, 2 BA ... Washer ...	2 2 2	— — —	C C C	—

ELECTRICAL INSTALLATIONS

INSTALLATION OF FUEL PUMPS, CODED "QP"

Ref. No.	Part No.	Description	No. off	Material Specification	Class of Score or L.M	Place No.
	—	INSTALLATION AT GROUP CODED "S," COCKPIT WALL, STARBOARD (Drg. No. 10-20 N 12977)	1	—	—	
	—	BLOCK , fuse, coded "S-C," group ...	1	—	—	EBX1
	—	BLOCK , fuse, 12-way (See sub-section EBV) ...	1	—	—	
10H/23862	—	FUSE , 10 amps. ...	2	—	C	EBX1
	—	INSTALLATION AT GENERATOR AND FUEL PUMP TEST PANEL, CODED "EA" (Drg. Nos. 10-20 N 14083A and 10-20 N 11421)	1	—	—	
	10-20 N 12551S	CABLE , bung "Q4," coded "FB," assembly ... (For cables circuit coded "QP")	1	—	ECC	EBX1
	10-20 N 12553A	CABLE , bung, "Q8," coded "FA," assembly (Mod. 2, Pre Mod. 803) (For cables circuit coded "QP")	1	—	ECC	EBX1
	10-20 N 14487A	CABLE , bung "QB," coded "FA," assembly ... (Mod. 803) (For cables circuit coded "QP")	1	—	ECC	EBX1
	10-20 N 12981A	CABLE , coded "EA2-Q," assembly ... (For cables circuit coded "QP")	1	—	ECC	EBX1
	10-20 N 14083A CABLES	CABLES , link (Mod. 356) ... (For cables circuit coded "QP")	QR	—	ECC	EBX1
	10-20 N 14015A	PANEL , generator and fuel pump test, c/w equip- ment, less wiring, assembly (Mod. 356)	1	—	—	EBT4
14882	10-20 N 13099A	BASE , shunt mounting, assembly ...	2	—	C	EBX4
	10-20 N 13131	Attachments for 10-20 N 13099A, Base :— Piece, distance (For Base coded "Z.Y.X.W.") ...	2	LFS.21, 23 or 26	LM	EBX4
28S/1006947	A33/B40	Screw, 4 BA (For Base coded "Z.Y.X.W.") ...	2	—	C	
28S/1200065	A33/B28	Screw, 4 BA (For Base coded "V.U.T.S.") ...	2	—	C	
14880	10-20 N 13103A	COVER , shunt mounting base, assembly ... (Coded "V.U.T.S.")	1	—	C	EBX4
14881	10-20 N 13105A	COVER , shunt mounting base, assembly ... (Coded "Z.Y.X.W.") Attachments for 10-20 N 13103A or 10-20 N 13105A, Cover :—	1	—	C	EBX4
28D/8337	AS.1248/1B	Bolt, 4 BA ...	2	—	C	
	—	ELECTRICAL COMPONENTS (For other circuits see appropriate sub-sections)	—	—	—	
	10-20 N 13087	LABEL , fuel pumps test switch, 20 SWG ... Attachments for 10-20 N 13087, Label :—	1	L.72	LM	EBX4
28S/9992522	A32/B16	Screw, 4 BA ...	2	—	C	
28W/9419448	AGS.2035/B	Washer ...	2	—	C	
14883	10-20 N 10617A	PANEL , bare, assembly (Pre Mod. 827) ...	1	—	P	EBT4
18446	10-20 N 23237A	PANEL , bare, assembly (Mod. 827) ... Spares for :—	1	—	P	EBT4
	10-20 N 13057ND	BRACKET , relay, 16 SWG ...	1	L.72	LM	EBT4
5X/7640	PLESSEY Z.64780/B	PLATE , mounting, Size B ...	1	—	C	
5X/7641	PLESSEY Z.64780/Z	PLATE , mounting, Size Z ...	1	—	C	
5X/6330	—	PLUG , coded "2" ...	1	—	C	EBX1
5X/6181	—	PLUG , coded "3" ...	1	—	C	EBX1

ELECTRICAL INSTALLATIONS
INSTALLATION OF FUEL PUMPS, CODED "QP"

Ref. No.	Part No.	Description	No. off	Material Specification	Class of Store or LM	Place No.
10F/0119139	ERICSSON N22365 A.D.1	RELAY , coded "AA" (5945-99-011-9139) ... Attachments for N22365A.D.1, Relay:—	1	—	—	EBX1
28M/10327	AGS.2002/B/1	Nut, 4 BA	2	—	C	
28S/1012450	A32/B10	Screw, 4 BA	2	—	C	
28W/9419465	SP.13/B	Washer	2	—	C	
5X/7072	PLESSEY 7CZ.105834	RELAY , coded "L" and "M" Attachments for 7CZ.105834, Relay:—	1	—	C	EBX1
28S/1200033	A31/B24	Screw, 4 BA	4	—	C	
5Q/	SANGAMO-WESTON 173318					
	OR					
5Q/	173793	SHUNT , coded "V," "U," "T," "S," "Z," "Y," "X" and "W"	8	—	—	EBX1
5CY/597	—	SOCKET , test, Type F, coded "P" Attachments for Ref. No. 5CY/597, Socket:—	1	—	C	EBX1
28M/10287	AGS.2001/B/1	Nut, 4 BA	2	—	C	
28S/9995376	A32/B20	Screw, 4 BA	2	—	C	
28W/9419474	SP.15/B	Washer	2	—	C	
	10-20 N 13093A	SWITCH , fuel pumps test, coded "N," assembly	1	—	—	EBX1 EBX4
	10-20 N 13093A/ CABLES	CABLES , assembly	QR	—	ECC	
14879	10-20 N 13091	COVER	1	—	C	EBX4
5CW/6895	PAINTON K21	KNOB , switch	1	—	P	EBX4
5CW/7292	PAINTON 310813	PILLAR	4	—	C	EBX4
14878	10-20 N 13089	RING , cable support	1	—	C	EBX4
5CW/7073	PAINTON/1P/9/2B	SWITCH , rotary	1	—	P	EBX4
5K/	ROSS COURTNEY G.944/8 BA					
	OR					
28W/9419185	HELLERMANN— AGS.2035/A	TAG , solder	2	—	C	EBX1
20987	10-20 X 9363	WASHER	2	—	C	
	—	WASHER	6	—	C	
	—	INSTALLATION AT REAR PRESSURE BULK- HEAD, CODED "Q" (Drg. Nos. 10-20 N 10635, 10-20 N 14755A)	1	—	—	
	—	BLOCK , terminal, coded "AD," group	1	—	—	
	DHS.456/20	BLOCK , terminal, 20-way, assembly (For breakdown see DHS. Data Sheet)	1	—	—	EBX1
5X/9149643	PLESSEY CZ.25111	COVER , terminal block (5940-99-914-9643)	1	—	C	EBX3
5X/1004082	PLESSEY Z.50210	LINK , connecting terminals 9 and 10 (5940-99-100-4082)	1	—	C	EBX3
7657	DHS.870/5	PILLAR , fixing, 4 BA	2	—	C	EBX3
26DV/12296	DHS.489/5	SPACER	2	—	C	EBX3
5CW/6853	—	SWITCH , magnetic, Type 10B No. 15, coded "R" (Mod. 879)	1	—	P	EBX1
		Attachments for Ref. No. 5CW/6853, Switch:—				
28S/1201448	A31/B10	Screw, 4 BA	2	—	C	
28W/9419448	AGS.2035/B	Washer	2	—	C	
	—	TERMINAL , earth, station 3, coded "D," group	1	—	—	EBX1
28M/10288	AGS.2001/C/1	NUT , 2 BA	1	—	C	
26DV/7529	DHS.438/C	TAG , corrosion	1	—	C	EBX3
26DV/4969	DHS.437/C	TERMINAL , earth, assembly (For breakdown see DHS. Data Sheet)	1	—	C	EBX1
28W/9419475	SP.15/C	WASHER	2	—	C	

ELECTRICAL INSTALLATIONS

INSTALLATION OF FUEL PUMPS, CODED "QP"

Ref. No.	Part No.	Description	No. off	Material Specification	Class of Store or L.M.	Plate No.
		INSTALLATION AT PORT WING DECK PANEL, CODED "FA" (Drg. Nos. 10-20 N 12401 and 10-20 N 13301A)	1	—	—	
5X/9402792	AS.2651 10-20 N 12543A	BOARDS , terminal, coded "AR," group ...	1	—	—	
		BOARD , terminal, 2-way, 37 amps. ...	2	—	C	EBX2
		COVER , terminal board, coded "FA-AR," assembly (Make from Ref. No. 5X/9435997)	1	—	LM	EBX4
5X/9435997	AS.2638 10-20 N 12545A	COVER , terminal board ...	1	—	C	
		COVER , terminal board, coded "FA-AR," assembly (Make from Ref. No. 5X/9435997)	1	—	LM	EBX4
5X/9435997	AS.2638	COVER , terminal board ...	1	—	C	
5X/9400056	AS.2675	FERRULE (Fit at vacant positions) ...	8	—	C	
28M/10327	AGS.2002/B/1 10-20 N 13977	NUT , 4 BA ...	4	—	C	
		PLATE , mounting ...	1	L.72	LM	EBX4
		Attachments for 10-20 N 13977, Plate:—				
28S/9992525	A32/B12	Screw, 4 BA ...	2	—	C	
28W/9419448	AGS.2035/B	Washer ...	2	—	C	
28S/9992522	A32/B16	SCREW , 4 BA ...	4	—	C	
5X/9402798	AS.2641	TERMINAL , double tier ...	4	—	C	
28W/9419465	SP.13/B	WASHER ...	4	—	C	
		CABLE , coded "2.AR.FA.QPD-QPD.RV.1," assy.	1	—	ECC	EBX2
		CABLE , coded "3.AR.FA.QPB-QPB.TV.2," assy.	1	—	ECC	EBX2
		CABLE , coded "4.AR.FA.QPA-QPA.TV.3," assy.	1	—	ECC	EBX2
		CABLE , coded "FN," assembly (Mods. 2 and 655)	1	—	ECC	EBX2
		INSTALLATION AT STARBOARD WING DECK PANEL, CODED "FB" (Drg. Nos. 10-20 N 12401 and 10-20 N 14863A)	1	—	—	
5X/9402792	AS.2651 10-20 N 12547A	BOARDS , terminal, coded "AR," group ...	1	—	—	
		BOARD , terminal, 2-way, 37 amps. ...	2	—	C	EBX2
		COVER , terminal board, coded "FB-AR," assembly (Make from Ref. No. 5X/9435997)	1	—	LM	EBX4
5X/9435997	AS.2638 10-20 N 12549A	COVER , terminal board ...	1	—	C	
		COVER , terminal board, coded "FB-AR," assembly (Make from Ref. No. 5X/9435997)	1	—	LM	EBX4
5X/9435997	AS.2638	COVER , terminal board ...	1	—	C	
5X/9400056	AS.2675	FERRULE (Fit at vacant positions) ...	8	—	C	
28M/10327	AGS.2002/B/1 10-20 N 13977	NUT , 4 BA ...	4	—	C	
		PLATE , mounting ...	1	L.72	LM	EBX4
		Attachments for 10-20 N 13977, Plate:—				
28S/9992525	A32/B12	Screw, 4 BA ...	2	—	C	
28W/9419448	AGS.2035/B	Washer ...	2	—	C	
28S/9992522	A32/B16	SCREW , 4 BA ...	4	—	C	
5X/9402798	AS.2641	TERMINAL , double tier ...	4	—	C	
28W/9419465	SP.13/B	WASHER ...	4	—	C	
		CABLE , coded "2.AR.FB.QPF-QPF.WV1," assy.	1	—	ECC	EBX2
		CABLE , coded "3.AR.FB.QPG-QPG.VK.1," assy.	1	—	ECC	EBX2
		CABLE , coded "4.AR.FB.QPH-QPH.VK.2," assy.	1	—	ECC	EBX2
		CABLE , coded "FP," assembly (Mods. 2 and 655)	1	—	ECC	EBX2

ELECTRICAL INSTALLATIONS

INSTALLATION OF FUEL PUMPS, CODED "QP"

Ref. No.	Part No.	Description	No. off						Material Specification	Class of Score or L.M.	Plate No.
			1	2	3	4	5	6			
	—	INSTALLATION AT ACCUMULATOR BULK-HEAD, CODED "JA" (Drg. No. 10-20 N 12401)									
	—	TERMINAL , earth, station 5, coded "A," group									
	10-20 N 2301	TAG , corrosion, 20 SWG						L.16	LM	EBX3	
6608	10-20 N 2295A	TERMINAL , earth, 45°, assembly						—	C	EBX2	
	10-20 N 2297A	BRACKET , assembly						—	LM	EBX3	
	DHS.436ND	PLATE , doubling, 14 SWG						BS.265	LM	EBX3	
	10-20 N 2299ND	PLATE , terminal, 16 SWG						BS.265	LM	EBX3	
26DV/11786	AS.2751	CIRCLIP						—	C		
5X/9400051	AS.2672	FERRULE (For terminals 5 and 7)						—	C		
12687	DHS.379/1	LABEL , half						—	C		
12688	DHS.379/2	LABEL , half						—	C		
26DV/11785	AS.2749	SOCKET , half						—	C		
5X/9028	AS.2747	SOCKET , terminal, assembly						—	C		
26DV/11787	AS.2752	SPACER						—	C		
		Attachments for 10-20 N 2295A, Terminal :—									
28D/1011030	A25/2E	Bolt, 3/8" BSF						—	C		
28M/10290	AGS.2001/E/1	Nut, 3/8" BSF						—	C		
28W/9418921	SP.13/E	Washer						—	C		
	—	INSTALLATION AT FUEL TANKS Nos. 1 AND 1A, PORT AND STARBOARD PUMPS , fuel, No. 1, coded "FN" and "FP"... (See sub-section QJ)								EBX2	
	—	INSTALLATION AT PORT INNER WING (Drg. Nos. 10-20 N 2399, 10-20 P 1063, 10-20 N 14057 Mod. 655)									
	—	BOARD , terminal, coded "RV," group						—	—		
5X/9402802	AS.2633	BOARD , terminal						—	C	EBX2	
		Attachments for Ref. No. 5X/9402802, Board :—									
	10-20 N 13701A	Clip, terminal board mounting, assembly						—	—	EBX4	
	10-20 N 13705A	Channel, anchor nut, assembly						—	—	EBX4	
	10-20 N 13707ND	Channel, 20 SWG						L.72	LM	EBX4	
	10-20 N 13703	Clip, 16 SWG						L.72	LM	EBX4	
	10-20 N 13703	Clip, 16 SWG						L.72	LM	EBX4	
28M/10287	AGS.2001/B/1	Nut, 4 BA						—	C		
28S/14005	A32/B14	Screw, 4 BA						—	C		
28W/9419465	SP.13/B	Washer						—	C		
	10-20 N 13709A	COVER , terminal board, coded "RV," assembly (Make from Ref. No. 5X/9402796)						—	LM	EBX4	
5X/9402796	AS.2601	COVER , terminal board						—	C		
28S/9992525	A32/B12	SCREW , 4 BA						—	C		
5X/9994577	AS.2605	TERMINAL , single tier						—	C		
	10-20 N 9/605 Mk. 22	CABLE , coded "2.RV.QPD-QPD.★11.B.2," assembly						—	ECC	EBX2	
	10-20 P 8455A	CONNECTOR , fuel pump No. 2, assembly (Mod. 1434)						—	—	EBX2	
	10-20 P 8455A/ CABLES	CABLE , assembly						—	ECC	EBX2	
15003	10-20 P 1563	CONDUIT , flexible, electrical						—	C	EBX3	
		Attachments for 10-20 P 8455A, Connector :—									
28D/9436920	A25/1C	Bolt, 2 BA						—	C		
28E/14083	AS.3181/12C	Clip, "P"						—	C		
	DUNLOP										
	DAS.185/16	Clip, "P"						—	C		
28M/10288	AGS.2001/C/1	Nut, 2 BA						—	C		
28W/9419475	SP.15/C	Washer						—	C		

ELECTRICAL INSTALLATIONS

INSTALLATION OF FUEL PUMPS, CODED "QP"

Ref. No.	Part No.	Description	No. off	Material Specification	Class of Store or L.M	Place No.
	—	PUMP, fuel, No. 2, coded "PX" (See sub-section QJ)	—	—	—	EBX2
26DV/7259	DHS.438/C	TERMINAL, earth, station 11, coded "B," group	1	—	—	—
26DV/4969	DHS.437/C	TAG, corrosion	1	L.16	C	EBX3
		TERMINAL, earth, assembly	1	—	C	EBX2
		(For breakdown see DHS. Data Sheet)				
		Attachments for DHS.437/C, Terminal :—				
28D/9133011	A25/2C	Bolt, 2 BA	2	—	C	—
	—	INSTALLATION AT STARBOARD INNER WING (Drg. Nos. 10-20 N 2399, 10-20 P 1063, 10-20 N 11213, 10-20 N 23521 Mod. 1120)	1	—	—	—
5X/9402802	AS.2633	BOARD, terminal, coded "VK," group	1	—	—	—
	10-20 N 11181A	BOARD, terminal	1	—	C	EBX2
		COVER, terminal board, coded "VK," assembly (Make from Ref. No. 5X/9402796)	1	—	LM	EBX4
5X/9402796	AS.2601	COVER, terminal board	1	—	C	—
5X/9400055	AS.2674	FERRULE (Fit at vacanc positions)	4	—	C	—
28S/9995376	A32/B20	SCREW, 4 BA	2	—	C	—
5X/9402799	AS.2606	TERMINAL, double tier	2	—	C	—
5X/9402802	AS.2633	BOARD, terminal, coded "WV," group	1	—	—	—
		BOARD, terminal	1	—	C	EBX2
		Attachments for Ref. No. 5X/9402802, Board :—				
	10-20 N 13701A	Clip, terminal board mounting, assembly	1	—	—	EBX4
	10-20 N 13705A	Channel, anchor nut, assembly	1	—	—	EBX4
	10-20 N 13707ND	Channel, 20 SWG	1	L.72	LM	EBX4
	10-20 N 13703	Clip, 16 SWG	1	L.72	LM	EBX4
	10-20 N 13703	Clip, 16 SWG	1	L.72	LM	EBX4
28M/10287	AGS.2001/B/1	Nut, 4 BA	4	—	C	—
28S/14005	A32/B14	Screw, 4 BA	4	—	C	—
28W/9419465	SP.13/B	Washer	4	—	C	—
	10-20 N 13711A	COVER, terminal board, coded "WV," assembly (Make from Ref. No. 5X/9402796)	1	—	LM	EBX4
5X/9402796	AS.2601	COVER, terminal board	1	—	C	—
28S/9992525	A32/B12	SCREW, 4 BA	2	—	C	—
	10-20 N 9/605 Mk. 20	CABLE, coded "2.WV.QPF-QPF.★10.B.2," assembly	1	—	ECC	EBX2
	10-20 N 9/805 Mk. 49	CABLE, coded "2.VK.QPG-QPG.YT.3," assembly	1	—	ECC	EBX2
	10-20 N 9/805 Mk. 50	CABLE, coded "1.VK.QPH-QPH.YT.2," assembly	1	—	ECC	EBX2
	10-20 P 8457A	CONNECTOR, fuel pump No. 2, assembly (Mod. 1434)	1	—	—	EBX2
	10-20 P 8457A/ CABLES	CABLE, assembly	1	—	ECC	EBX2
15004	10-20 P 1565	CONDUIT, flexible electrical	1	—	C	EBX3
		Attachments for 10-20 P 8457A, Connector :—				
28D/9436920	A25/1C	Bolt, 2 BA	1	—	C	—
28E/14083	AS.3181/12C	Clip, "P"	1	—	C	—
	DUNLOP					
	DAS.185/16	Clip, "P"	1	—	C	—
28M/10288	AGS.2001/C/1	Nut, 2 BA	1	—	C	—
28W/9419475	SP.15/C	Washer	1	—	C	—
	—	PUMP, fuel, No. 2, coded "VX" (See sub-section QJ)	—	—	—	EBX2
26DV/7529	DHS.438/C	TERMINAL, earth, station 10, coded "B," group	1	—	—	—
26DV/4969	DHS.437/C	TAG, corrosion	1	L.16	C	EBX3
		TERMINAL, earth, assembly	1	—	C	EBX2
		(For breakdown see DHS. Data Sheet)				
		Attachments for DHS.437/C, Terminal :—				
28D/9133011	A.25/2C	Bolt, 2 BA	2	—	C	—

ELECTRICAL INSTALLATIONS
INSTALLATION OF FUEL PUMPS, CODED "QP"

Ref. No.	Part No.	Description	No. off	Material Specification	Class of Store or L.M.	Plate No.
		INSTALLATION AT PORT OUTER WING (Drg. Nos. 10-20 N 11355 Mod. 1131, 10-20 N 11509 Mod. 2, 10-20 N 23599 Mod. 1131, 10-20 WE 3351)	1	—	—	
5X/9402147	AS.2634 10-20 N 23595A	BOARD , terminal, coded "SN-A," group ...	1	—	—	
		BOARD , terminal ...	1	—	C	EBX2
		COVER , terminal board, coded "SN-A," assembly (Make from Ref. No. 5X/9402795)	1	—	LM	EBX4
5X/9402795	AS.2602	COVER , terminal board ...	1	—	C	
5X/9400055	AS.2674	FERRULE ...	1	—	C	
28M/10287	AGS.2001/B/1	NUT , 4 BA ...	2	—	C	
28S/9992522	A32/B16	SCREW , 4 BA ...	2	—	C	
5X/9994577	AS.2605	TERMINAL , single tier ...	2	—	C	
5X/9402799	AS.2606	TERMINAL , double tier (Fit at terminal 2)	1	—	C	
28W/9419465	SP.13/B	WASHER ...	2	—	C	
		BOARD , terminal, coded "TV," group ...	1	—	—	
	10-20 N 22511	BLOCK , packing ...	1	LFS.82 or 89	LM	EBX4
5X/9402147	AS.2634 10-20 N 23607A	BOARD , terminal ...	1	—	C	EBX2
		COVER , terminal board, coded "TV," assembly (Make from Ref. No. 5X/9402795)	1	—	LM	EBX4
5X/9402795	AS.2602	COVER , terminal board ...	1	—	C	
28M/10287	AGS.2001/B/1 10-20 N 22559	NUT , 4 BA ...	2	—	C	
28S/14627	A32/B36	PLATE , back ...	1	L.72	LM	EBX4
5X/9994577	AS.2605	SCREW , 4 BA ...	2	—	C	
28W/9419465	SP.13/B	TERMINAL , single tier ...	3	—	C	
		WASHER ...	2	—	C	
18514	10-20 N 22793A	BOX , suppressor, coded "AGQ," assembly ...	1	—	C	EBX2
	10-20 N 22789A	BLOCK , terminal, assembly (WARD BROOKE 1481)	1	—		EBX4
18517	10-20 N 22479	BRACKET , condenser mounting Attachments for 10-20 N 22479, Bracket:—	1	—	C	EBX4
28M/10286	AGS.2001/A/1	Nut, 6 BA ...	2	—	C	
28S/1011496	A33/A36	Screw, 6 BA ...	2	—	C	
28W/9419464	SP.13/A	Washer ...	2	—	C	
18518	10-20 N 22481	BRACKET , condenser mounting Attachments for 10-20 N 22481, Bracket:—	2	—	C	EBX4
28M/10286	AGS.2001/A/1	Nut, 6 BA ...	2	—	C	
	A33/A38	Screw, 6 BA ...	2	—	C	
28W/9419464	SP.13/A	Washer ...	2	—	C	
	10-20 N 22793A/ CABLES STANDARD TELEPHONES & CABLES LTD. 335/120B/1	CABLES , link ...	QR	—	ECC	
18516	10-20 N 22799A	CAPACITOR , 2 mfd. ...	1	—	—	
		CHOKE , assembly ...	1	—	C	EBX4
		Attachments for 10-20 N 22799A, Choke:—				
28M/10287	AGS.2001/B/1	Nut, 4 BA ...	2	—	C	
28S/1200066	A33/B20	Screw, 4 BA ...	2	—	C	
28W/9419465	SP.13/B	Washer ...	2	—	C	

ELECTRICAL INSTALLATIONS

INSTALLATION OF FUEL PUMPS, CODED "QP"

Ref. No.	Part No.	Description	No. off	Material Specification	Class of Store or L.M	Plate No.
	10-20 N 22809A	CONDENSER , assembly	1	—	—	EBX4
		Spares for :—				
	STANDARD TELEPHONES & CABLES LTD. 472/LWA/46EA 10-20 N 22761A	CONDENSER , 15 mfd.	2	—	—	
		SHELL , suppressor box, assembly	1	—	—	EBX4
		Spares for :—				
18515	10-20 N 22763A/ND	COVER , assembly	1	—	C	EBX4
		Spares for :—				
28FP/146	DZUS A4/25	FASTENER	2	—	C	
28FP/349	DZUS SC4/2	SPRING , Type A4	2	—	C	
26DV/4968	DHS.457	TERMINAL , earth, assembly	1	—	C	
		(For breakdown see DHS. Data Sheet)				
26DV/10901	DHS.458	WASHER , corrosion... ..	1	—	C	
		Attachments for 10-20 N 22793A, Box :—				
28D/13132	AS.3297/1C	Bolt, 2 BA	3	—	C	
	10-20 N 9/605 Mk. 26	CABLE , coded " 2.A.SN.QPA-QPA.★17.A.6," assy.	1	—	ECC	EBX2
	10-20 N 9/805 Mk. 41	CABLE , coded " 2.TV.QPB-QPB.AGS.1," assembly	1	—	ECC	EBX2
	10-20 N 9/805 Mk. 42	CABLE , coded " 1.TV.QPB-QPB.AGS.2," assembly	1	—	ECC	EBX2
	10-20 N 9/805 Mk. 43	CABLE , coded " 1.B★15.QPB-QPB.AGS.★," assy.	1	—	ECC	EBX2
	10-20 N 9/805 Mk. 48	CABLE , coded " 3.TV.QPA-QPA.SN.A.3," assembly	1	—	ECC	EBX2
	10-20 N 9/805 Mk. 53	CABLE , coded " 3.A.SN.QPA-QPA.AGQ.1," assy.	1	—	ECC	EBX2
	10-20 N 9/805 Mk. 54	CABLE , coded " 1.A.SN.QPA-QPA.AGQ.2," assy.	1	—	ECC	EBX2
	10-20 N 9/805 Mk. 55	CABLE , coded " 2.A.SN.QPA-QPA.AGQ.★," assy.	1	—	ECC	EBX2
	10-20 P 8459A	CONNECTOR , fuel pump No. 3, assembly (Mod. 1434)	1	—	—	EBX2
	10-20 P 8459A/ CABLES	CABLE , assembly	1	—	ECC	EBX2
14810	10-20 P 1567	CONDUIT , flexible electrical	1	—	C	EBX3
	10-20 P 8463A	CONNECTOR , fuel pump No. 4, assembly (Mod. 1434)	1	—	—	EBX2
	10-20 P 8463A/ CABLES	CABLE , assembly	1	—	ECC	EBX2
14809	10-20 P 1569	CONDUIT , flexible electrical	1	—	C	EBX3
	—	PUMP , fuel, No. 3, coded " SC " (See sub-section QG)	—	—	—	EBX2
	—	PUMP , fuel, No. 4, coded " SS " (See sub-section QG)	—	—	—	EBX2
	10-20 N 23555A	SUPPRESSOR , coded " AGS," assembly ...	1	—	—	EBX2
18514	10-20 N 22793A	BOX , suppressor, assembly	1	—	C	EBX4
	10-20 N 22789A	BLOCK , terminal, assembly (WARD BROOKE 1481)	1	—	—	EBX4
18517	10-20 N 22479	BRACKET , condenser mounting	1	—	C	EBX4
		Attachments for 10-20 N 22479, Bracket :—				
28M/10286	AGS.2001/A/1	Nut, 6 BA	2	—	C	
28S/1011496	A33/A36	Screw, 6 BA	2	—	C	
28VV/9419464	SP.13/A	Washer	2	—	C	
18518	10-20 N 22481	BRACKET , condenser mounting	2	—	C	EBX4
		Attachments for 10-20 N 22481, Bracket :—				
28M/10286	AGS.2001/A/1	Nut, 6 BA	2	—	C	
28S/1011496	A33/A38	Screw, 6 BA	2	—	C	
28VV/9419464	SP.13/A	Washer	2	—	C	
18516	10-20 N 22799A	CHOKE , assembly	1	—	C	EBX4
		Attachments for 10-20 N 22799A, Choke :—				
28M/10287	AGS.2001/B/1	Nut, 4 BA	2	—	C	
28S/1200066	A33/B20	Screw, 4 BA	2	—	C	
28VV/9419465	SP.13/B	Washer	2	—	C	

ELECTRICAL INSTALLATIONS

INSTALLATION OF FUEL PUMPS, CODED "QP"

Ref. No.	Part No.	Description	1 2 3 4 5 6						No. off	Material Specification	Class of Score or L.M.	Plate No.
	10-20 N 22809A	CONDENSER , assembly						1	—	—	EBX4	
		Spares for :—										
	STANDARD TELEPHONES & CABLES LTD. 472/LWA/46EA	CONDENSER , 15 mfd.						2	—	—		
	10-20 N 22761A	SHELL , suppressor box, assembly... ..						1	—	—	EBX4	
		Spares for :—										
18515	10-20 N 22763A/ND	COVER , assembly						1	—	C	EBX4	
		Spares for :—										
28FP/146	DZUS A4/25	FASTENER						2	—	C		
28FP/349	DZUS SC4/2	SPRING , Type A4						2	—	C		
26DV/4968	DHS.457	TERMINAL , earth, assembly						1	—	C		
		(For breakdown see DHS. Data Sheet)										
26DV/10901	DHS.458	WASHER , corrosion						1	—	C		
28S/9997545	A31/C16	Attachments for 10-20 N 22793A, Box :— Screw, 2 BA						3	—	C		
	10-20 N 23533A	PLATE , mounting, assembly						1	—	—		
	AS.2806/4/039	TUBE , distance, 1" o/d x 22 SWG x 0"-39 long						3	S.3 or S.84	LM		
		Attachments for 10-20 N 23555A, Suppressor :—										
28M/10288	AGS.2001/C/1	Nut, 2 BA						2	—	C		
28W/9419402	SP.13/C	Washer						2	—	C		
	—	TERMINALS , earth, station 15, coded "A" and "B," group						1	—	—		
	10-20 N 2301	TAG , corrosion, 20 SWG						1	L.16	LM	EBX3	
6608	10-20 N 2295A	TERMINAL , earth, 45°, coded "A," assembly						1	—	C	EBX2	
	10-20 N 2297A	BRACKET , assembly						1	—	LM	EBX3	
	DHS.436ND	PLATE , doubling, 14 SWG						1	BS.265	LM	EBX3	
	10-20 N 2299ND	PLATE , terminal, 16 SWG						1	BS.265	LM	EBX3	
26DV/11786	AS.2751	CIRCLIP						4	—	C		
12687	DHS.379/1	LABEL , half						1	—	C		
12688	DHS.379/2	LABEL , half						1	—	C		
26DV/11785	AS.2749	SOCKET , half						8	—	C		
5X/9028	AS.2747	SOCKET , terminal, assembly						4	—	C		
26DV/11787	AS.2752	SPACER						4	—	C		
26DV/4969	DHS.437/C	TERMINAL , earth, coded "B," assembly						1	—	C	EBX2	
		(For breakdown see DHA. Data Sheet)										
		Attachments for 10-20 N 2295A and DHS.437/C, Terminals :—										
28D/15531	A60/5E	Bolt, 1/2" BSF						2	—	C		
28M/12931	A27/ET	Nut, 1/2" BSF						2	—	C		
28W/9419405	SP.15/E	Washer						2	—	C		
	—	TERMINAL , earth, station 17, coded "A," group						1	—	—		
28D/9436920	A25/1C	BOLT , 2 BA						2	—	C		
26DV/7529	DHS.438/C	TAG , corrosion						1	L.16	C		
26DV/4969	DHS.437/C	TERMINAL , earth, assembly						1	—	C	EBX2	
		(For breakdown see DHS. Data Sheet)										
28W/9419454	SP.10/C	WASHER						2	—	C		
	—	INSTALLATION AT STARBOARD OUTER WING (Drg. Nos. 10-20 N 11357 Mod. 1131, 10-20 N 11511 Mod. 2, 10-20 N 23600 Mod. 1131, 10-20 WE 3351)						1	—	—		
	—	BOARD , terminal, coded "XN-C," group						1	—	—		
5X/9402147	AS.2634	BOARD , terminal						1	—	C	EBX2	
	10-20 N 23597A	COVER , terminal board, coded "XN-C," assembly (Make from Ref. No. 5X/9402795)						1	—	LM	EBX4	
5X/9402795	AS.2602	COVER , terminal board						1	—	C		

ELECTRICAL INSTALLATIONS
INSTALLATION OF FUEL PUMPS, CODED "QP"

Ref. No.	Part No.	Description	No. off	Material Specification	Class of Score or L.M.	Plate No.
5X/9400055	AS.2674	FERRULE	1	—	C	
28M/10287	AGS.2001/B/1	NUT, 4 BA	2	—	C	
28S/9992522	A32/B16	SCREW, 4 BA	2	—	C	
5X/9994577	AS.2605	TERMINAL, single tier	2	—	C	
5X/9402799	AS.2606	TERMINAL, double tier (Fit at terminal 2)... ..	1	—	C	
28W/9419465	SP.13/B	WASHER	2	—	C	
	—	BOARD, terminal, coded "YT," group	1	—	—	
	10-20 N 22511	BLOCK, packing	1	LFS.82 or 89	LM	EBX4
5X/9402147	AS.2634	BOARD, terminal	1	—	C	EBX2
	10-20 N 23605A	COVER, terminal board, coded "YT," assembly (Make from Ref. No. 5X/9402795)	1	—	LM	EBX4
5X/9402795	AS.2602	COVER, terminal board	1	—	C	
28M/10287	AGS.2001/B/1	NUT, 4 BA	2	—	C	
	10-20 N 22559	PLATE, back, 20 SWG	1	L.72	LM	EBX4
28S/14627	A32/B36	SCREW, 4 BA	2	—	C	
5X/9994577	AS.2605	TERMINAL, single tier	3	—	C	
28W/9419465	SP.13/B	WASHER	2	—	C	
18514	10-20 N 22793A	BOX, suppressor, coded "AGR," assembly	1	—	C	EBX2 EBX4
	10-20 N 22789A	BLOCK, terminal, assembly (WARD BROOKE 1481)	1	—	—	EBX4
18517	10-20 N 22479	BRACKET, condenser mounting	1	—	C	EBX4
		Attachments for 10-20 N 22479, Bracket :—				
28M/10286	AGS.2001/A/1	Nut, 6 BA	2	—	C	
28S/1011496	A33/A36	Screw, 6 BA	2	—	C	
28W/9419464	SP.13/A	Washer	2	—	C	
18518	10-20 N 22481	BRACKET, condenser mounting	2	—	C	EBX4
		Attachments for 10-20 N 22481, Bracket :—				
28M/10286	AGS.2001/A/1	Nut, 6 BA	2	—	C	
28W/9419464	A33/A38	Screw, 6 BA	2	—	C	
	SP.13/A	Washer	2	—	C	
18516	10-20 N 22799A	CHOKE, assembly	1	—	C	EBX4
		Attachments for 10-20 N 22799A, Choke :—				
28M/10287	AGS.2001/B/1	Nut, 4 BA	2	—	C	
28S/1200066	A33/B20	Screw, 4 BA	2	—	C	
28W/9419465	SP.13/B	Washer	2	—	C	
	10-20 N 22809A	CONDENSER, assembly	1	—	—	EBX4
		Spares for :—				
	STANDARD TELEPHONES & CABLES LTD. 472/LWA/46EA	CONDENSER, 15 mfd.	2	—	—	
	10-20 N 22761A	SHELL, suppressor box, assembly	1	—	—	EBX4
		Spares for :—				
18515	10-20 N 22763A/ND	COVER, assembly	1	—	C	EBX4
		Spares for :—				
28FP/146	DZUS A4/25	FASTENER	2	—	C	
28FP/349	DZUS SC4/2	SPRING, Type A4	2	—	C	
26DV/4968	DHS.457	TERMINAL, earth, assembly	1	—	C	
		(For breakdown see DHS. Data Sheet)				
26DV/10901	DHS.458	WASHER, corrosion... ..	1	—	C	
		Attachments for 10-20 N 22793A, Box :—				
28D/13132	AS.3297/1C	Bolt, 2 BA	3	—	C	

ELECTRICAL INSTALLATIONS

INSTALLATION OF FUEL PUMPS, CODED "QP"

Ref. No.	Part No.	Description	No. off						Material Specification	Class of Store or L.M.	Place No.
			1	2	3	4	5	6			
	10-20 N 9/605 Mk. 24	CABLE , coded "2.C.XN.QPH-QPH.★16.A.6," ... assembly						1	—	ECC	EBX2
	10-20 N 9/805 Mk. 40	CABLE , coded "2.C.XN.QPH-QPH.AGR.★," ... assembly						1	—	ECC	EBX2
	10-20 N 9/805 Mk. 44	CABLE , coded "2.YT.QPG-QPG.AGT.1," assembly						1	—	ECC	EBX2
	10-20 N 9/805 Mk. 45	CABLE , coded "1.YT.QPG-QPG.AGT.2," assembly						1	—	ECC	EBX2
	10-20 N 9/805 Mk. 46	CABLE , coded "1.B.★14.QPG-QPG.AGT.★," ... assembly						1	—	ECC	EBX2
	10-20 N 9/805 Mk. 47	CABLE , coded "3.YT.QPG-QPG.XN.C.3," ... assembly						1	—	ECC	EBX2
	10-20 N 9/805 Mk. 56	CABLE , coded "3.C.XN.QPH-QPH.AGR.1," ... assembly						1	—	ECC	EBX2
	10-20 N 9/805 Mk. 57	CABLE , coded "1.C.XN.QPH-QPH.AGR.2," ... assembly						1	—	ECC	EBX2
	10-20 P 8461A	CONNECTOR , fuel pump No. 3, assembly ... (Mod. 1434)						1	—	—	EBX2
	10-20 P 8461A/ CABLES	CABLE , assembly						1	—	ECC	EBX2
14810	10-20 P 1567	CONDUIT , flexible electrical						1	—	C	EBX3
	10-20 P 8465A	CONNECTOR , fuel pump No. 4, assembly ... (Mod. 1434)						1	—	—	EBX2
	10-20 P 8465A/ CABLES	CABLE , assembly						1	—	ECC	EBX2
14809	10-20 P 1569	CONDUIT , flexible electrical						1	—	C	EBX3
	—	PUMP , fuel. No. 3, coded "XC" (See sub-section QG)						—	—	—	EBX2
	—	PUMP , fuel. No. 4, coded "XS" (See sub-section QG)						—	—	—	EBX2
	10-20 N 23635A	SUPPRESSOR , coded "AGT," assembly						1	—	—	EBX2 EBX4
18514	10-20 N 22793A	BOX , suppressor, assembly						1	—	C	EBX4
	10-20 N 22789A	BLOCK , terminal, assembly (WARD BROOKE 1481)						1	—	—	EBX4
18517	10-20 N 22479	BRACKET , condenser mounting Attachments for 10-20 N 22479, Bracket :—						1	—	C	EBX4
28M/10286	AGS.2001/A/1	Nut, 6 BA						2	—	C	
28S/1011496	A33/A36	Screw, 6 BA						2	—	C	
28VV/9419464	SP.13/A	Washer						2	—	C	
18518	10-20 N 22481	BRACKET , condenser mounting Attachments for 10-20 N 22481, Bracket :—						2	—	C	EBX4
28M/10286	AGS.2001/A/1	Nut, 6 BA						2	—	C	
28S/1011496	A33/A38	Screw, 6 BA						2	—	C	
28VV/9419464	SP.13/A	Washer						2	—	C	
18516	10-20 N 22799A	CHOKE , assembly Attachments for 10-20 N 22799A, Choke :—						1	—	C	EBX4
28M/10287	AGS.2001/B/1	Nut, 4 BA						2	—	C	
28S/1200066	A33/B20	Screw, 4 BA						2	—	C	
28VV/9419465	SP.13/B	Washer						2	—	C	
	10-20 N 22809A	CONDENSER , assembly Spares for :—						1	—	—	EBX4
	STANDARD TELEPHONES & CABLES LTD. 472/LWA/46EA	CONDENSER , 15 mfd.						2	—	—	

ELECTRICAL INSTALLATIONS
INSTALLATION OF FUEL PUMPS, CODED "QP"

Ref. No.	Part No.	Description	No. off	Material Specification	Class of Store or L.M.	Plate No.
	10-20 N 22761A	SHELL , suppressor box, assembly... ..	1	—	—	EBX4
18515	10-20 N 22763A/ND	Spares for :— COVER , assembly	1	—	C	EBX4
		Spares for :— FASTENER	2	—	C	
28FP/146	DZUS A4/25	SPRING , Type A4	2	—	C	
28FP/349	DZUS SC4/2	TERMINAL , earth, assembly	1	—	C	
26DV/4968	DHS.457	(For breakdown see DHS. Data Sheet)				
26DV/10901	DHS.458	WASHER , corrosion	1	—	C	
28S/9997545	A31/C16	Attachments for 10-20 N 22793A, Box :— Screw, 2 BA	3	—	C	
	10-20 N 23534A	PLATE , mounting, assembly	1	—	—	
	AS.2806/4/039	Spares for :— TUBE , distance, 1/2" o/d x 22 SWG x 0"39 long	3	S.3 or S.84	LM	
28M/10288	AGS.2001/C/1	Attachments for 10-20 N 23635A, Suppressor :—				
28W/9419402	SP.13/C	Nut, 2 BA	2	—	C	
		Washer	2	—	C	
	—	TERMINALS , earth, station 14, coded "A" and "B," group	1	—	—	
6608	10-20 N 2301	TAG , corrosion, 20 SWG	1	L.16	LM	EBX3
	10-20 N 2295A	TERMINAL , earth, 45°, coded "A," assembly	1	—	C	EBX2
	10-20 N 2297A	BRACKET , assembly	1	—	LM	EBX3
	DHS.436ND	PLATE , doubling, 14 SWG	1	BS.265	LM	EBX3
	10-20 N 2299ND	PLATE , terminal, 16 SWG	1	BS.265	LM	EBX3
26DV/11786	AS.2751	CIRCLIP	4	—	C	
12687	DHS.379/1	LABEL , half	1	—	C	
12688	DHS.379/2	LABEL , half	1	—	C	
26DV/11785	AS.2749	SOCKET , half	8	—	C	
5X/9028	AS.2747	SOCKET , terminal, assembly	4	—	C	
26DV/11787	AS.2752	SPACER	4	—	C	
26DV/4969	DHS.437/C	TERMINAL , earth, coded "B," assembly	1	—	C	EBX2
		(For breakdown see DHS. Data Sheet)				
		Attachments for 10-20 N 2295A and DHS.437/C, Terminals :—				
28D/15531	A60/5E	Bolt, 1/2" BSF	2	—	C	
28M/12931	A27/ET	Nut, 1/2" BSF	2	—	C	
28W/9419405	SP.15/E	Washer	2	—	C	
	—	TERMINAL , earth, station 16, coded "A," group	1	—	—	
28D/9436920	A25/1C	BOLT , 2 BA	2	—	C	
26DV/7529	DHS.438/C	TAG , corrosion	1	L.16	C	
26DV/4969	DHS.437/C	TERMINAL , earth, assembly	1	—	C	EBX2
		(For breakdown see DHS. Data Sheet)				
28W/9419454	SP.10/C	WASHER	2	—	C	

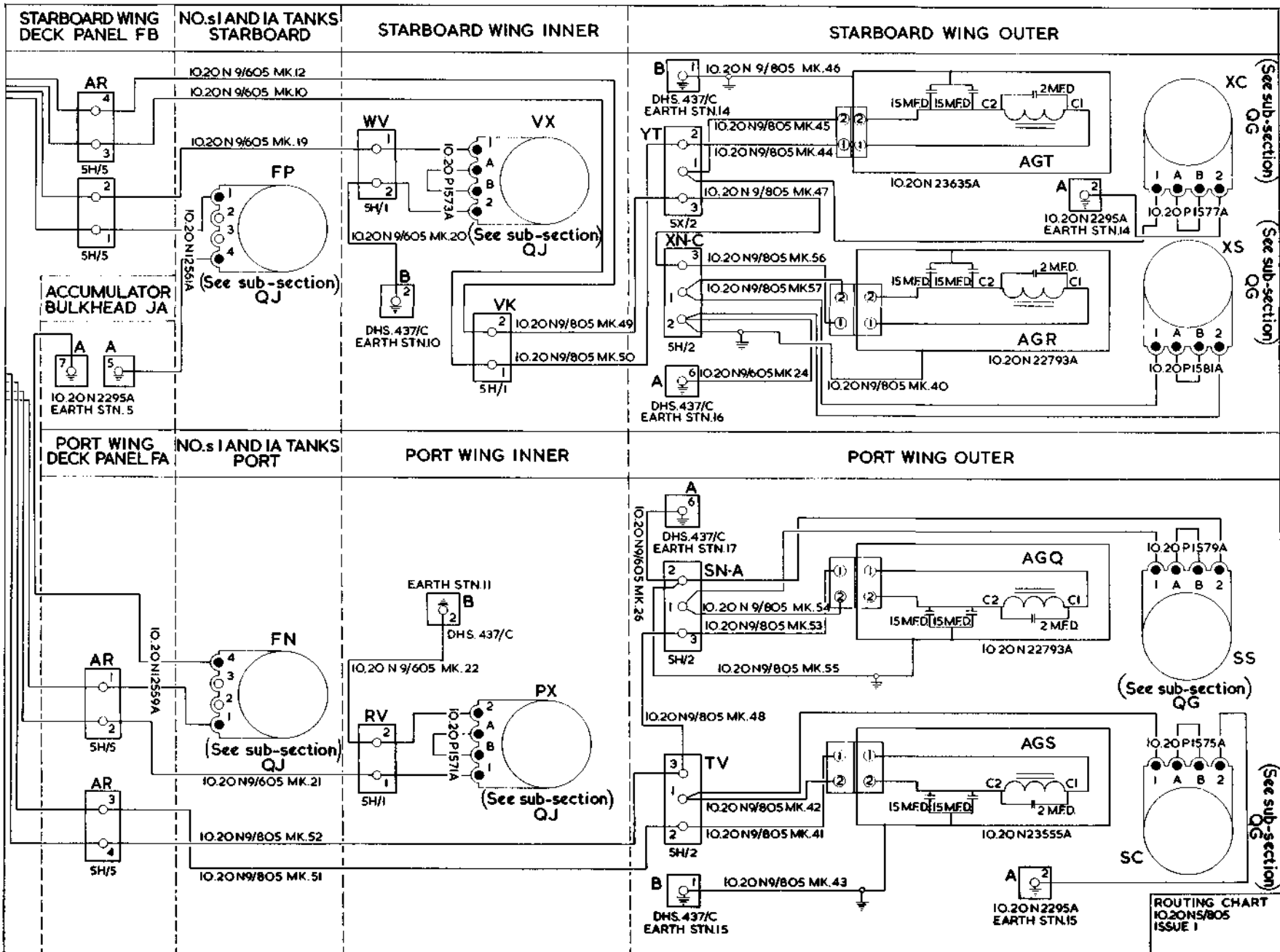
EBX.2

ELECTRICAL INSTALLATION

EBX.2
[DL 44]

FUEL PUMPS
CODED QP

RESTRICTED

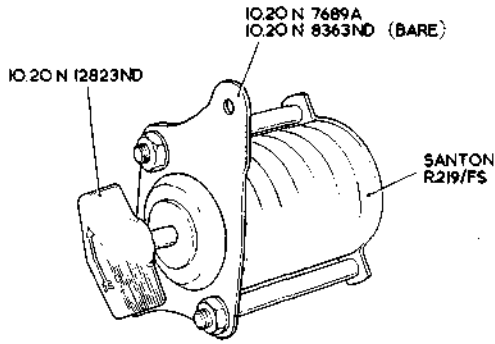


See Viewn Mk.1

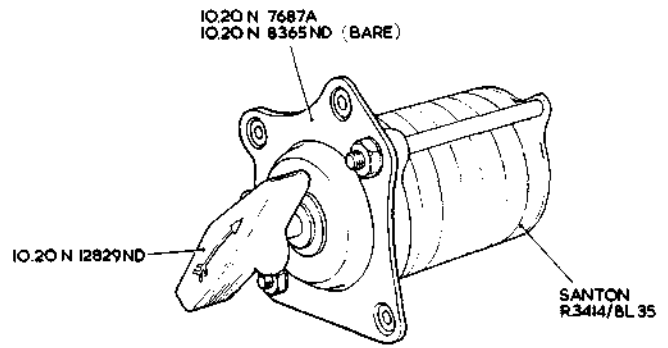
RESTRICTED

Plate EBX.2

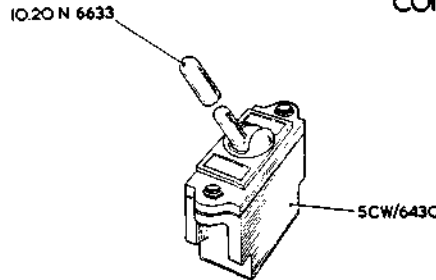
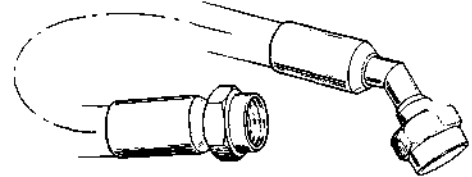
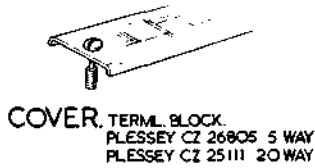
ROUTING CHART
IO.20N/805
ISSUE 1



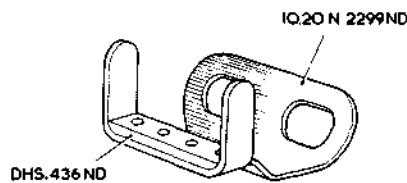
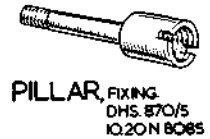
SWITCH, SELECTOR,
EMERGENCY FUEL, CODED 'AS/B':
IO.20 N 7787A



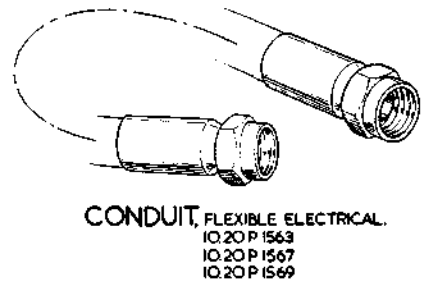
SWITCH, EMERGENCY,
CHANGE OVER, CODED 'AS/A':
IO.20 N 7785A

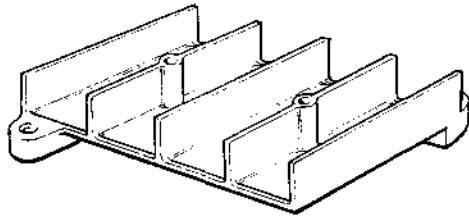


SWITCH, ASSY.
IO.20 N 6717A



BRACKET, ASSY.
IO.20 N 2297A





BASE, SHUNT MOUNTING, ASSY.
IO.20 N 13099A



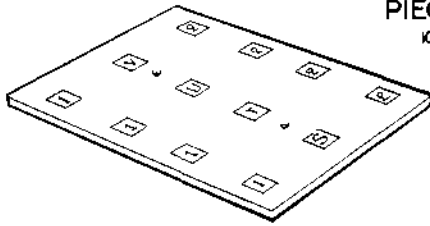
BLOCK, PACKING
IO.20 N 22511



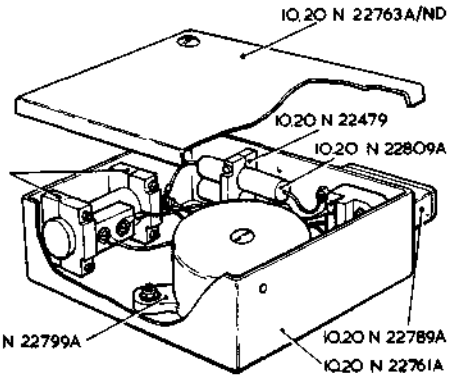
PLATE, BACK
IO.20 N 22559



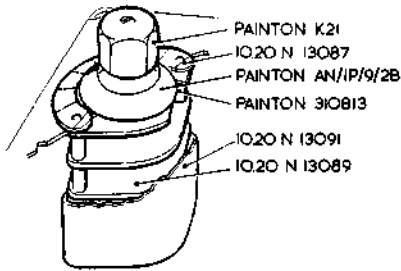
PIECE, DISTANCE
IO.20 N 13131



COVER, SHUNT MOUNTING BASE, ASSY.
IO.20 N 13103A
IO.20 N 13105A



BOX, SUPPRESSOR, ASSY.
IO.20 N 22793A



SWITCH, FUEL PUMPS TEST, ASSY.
IO.20 N 13093A

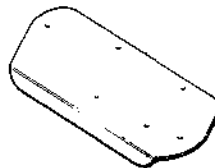
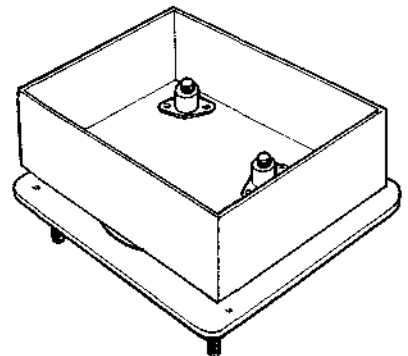
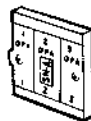


PLATE MOUNTING
IO.20 N 13977

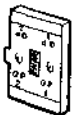


SUPPRESSOR, ASSY.
IO.20 N 23555A
IO.20 N 23635A

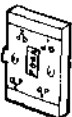


COVER, TERMINAL BOARD ASSY.

IO.20 N 23595A
IO.20 N 23597A
IO.20 N 23505A
IO.20 N 23607A } SIMILAR

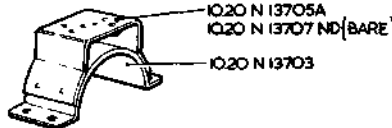


IO.20 N 12543A } CODED "FA-AR"
IO.20 N 12545A }



IO.20 N 12547A } CODED "FB-AR"
IO.20 N 12549A }

COVER, TERMINAL BOARD, ASSY.



CLIP, TERMINAL BOARD MOUNTING, ASSY.
IO.20 N 13701A



IO.20 N 13709A } SIMILAR
IO.20 N 13711A }
IO.20 N 11181A }

COVER, TERMINAL BOARD ASSY.

This file was downloaded
from the RTFM Library.

Link: www.scottbouch.com/rtfm

Please see site for usage terms,
and more aircraft documents.

