

ELECTRICAL INSTALLATIONS

INSTALLATION OF ANGLE OF ATTACK INDICATION, CODED "WA"

Ref. No.	Part No.	Description	No. off	Material Specification	Class of Store or L.M.	Place No.
	—	INSTALLATION OF ANGLE OF ATTACK INDICATION, CODED "WA"	1	—	—	
	—	INSTALLATION AT FORWARD FACE OF FRONT PRESSURE BULKHEAD (Drg. Nos. 10-20 N 7835, 10-20 N 9465 and 10-20 N 21093)	1	—	—	
	—	BLOCK , terminal, coded "BA," group ...	1	—	—	
	DHS.456/20L	BLOCK , terminal, 20-way L.H., assembly ... (For breakdown see DHS. Data Sheet)	1	—	—	
5X/9149643	PLESSEY CZ.25111	COVER , terminal block ...	1	—	C	EBX3
13589	DHS.870/4	PILLAR , fixing ...	2	—	C	ECD1
	DHS.489/3	SPACER ...	2	P.V.C.	LM	ECR1
	—	BLOCK , terminal, coded "BP," group ...	1	—	—	
	DHS.456/20L	BLOCK , terminal, 20-way L.H., assembly ... (For breakdown see DHS. Data Sheet)	1	—	—	
5X/9149643	PLESSEY CZ.25111	COVER , terminal block ...	1	—	C	EBX3
5X/9450403	PLESSEY CZ.28426	PILLAR , fixing (Pre Mod. 86) ...	2	—	C	ECE3
16671	DHS.870/1	PILLAR , fixing (Mod. 86) ...	2	—	C	ECE3
	10-20 N 20459A	CABLE , coded "A7," assembly ... (Pre Mods. 1251, 1265 and 1291)	1	—	ECC	
	10-22 N 1739A	CABLE , coded "A7," assembly ... (Mods. 1251, 1265 and 1291)	1	—	ECC	
	10-20 N 20457A	CABLE , coded "ABP-BA-BP," assembly ...	1	—	ECC	
	10-20 N 9/189 Mk. 1	CABLE , coded "15.BP.WAF*-WAF*.4.B.4." ... assembly	1	—	ECC	
	—	PROBE , coded "ABP," group ...	1	—	—	
	—	BRACKET , mounting (See sub-section KQ)	—	—	—	
16910	10-20 N 20633A	PLATE , mounting, assembly (Pre Mod. 1098A)	1	—	C	ECJ1
18398	10-20 N 23609A	PLATE , mounting, assembly (Mod. 1098) Spares for :—	1	—	C	ECJ1
16912	10-20 N 20637	RING , adapter ...	1	—	C	ECJ1
16914	10-20 N 20641	RING , indexing ...	1	—	C	ECJ1
16913	10-20 N 20639	RING , indexing, vernier ...	1	—	C	ECJ1
16911	10-20 N 20643	STUD , flanged, clamp washer attachment Attachments for 10-20 N 20643, Stud :—	4	—	C	ECJ1
28M/1006473	A27/CT	Nut, 2 BA ...	1	—	C	
	10-20 N 20645	WASHER , clamping, 12 SWG ... Attachments for 10-20 N 20645, Washer :—	4	L.72	LM	ECJ1
28M/10288	AGS.2001/C/1	Nut, 2 BA ...	1	—	C	
		Attachments for 10-20 N 20633A, or 10-20 N 23609A, Plate :—				
28D/8307	AS.1242/2C	Bolt, 2 BA ...	4	—	C	
	—	TERMINAL , earth, station 4, coded "B," group	1	—	—	
26DV/7529	DHS.438/C	TAG , corrosion ...	1	—	C	EBX3
26DV/4969	DHS.437/C	TERMINAL , earth, assembly ... (For breakdown see DHS. Data Sheet)	1	—	C	ECG1
		Attachments for DHS.437/C, Terminal :—				
28D/9133011	A25/2C	Bolt, 2 BA ...	2	—	C	
28W/9419402	SP.13/C	Washer ...	2	—	C	

ELECTRICAL INSTALLATIONS

INSTALLATION OF ANGLE OF ATTACK INDICATION, CODED "WA"

Ref. No.	Part No.	Description	No. off	Material Specification	Class of Store or L.M	Place No.
	—	INSTALLATION AT AFT FACE OF FRONT PRESSURE BULKHEAD (Org. Nos. 10-20 N 9465, 10-20 N 11421, 10-20 N 11713 and 10-20 R 3687)	1	—	—	
	10-20 N 20489A	CABLE , coded "A7," assembly	1	—	ECC	
	10-20 N 20479A	CABLE , coded "AAO," assembly (Pre Mod. 1291)	1	—	ECC	
	10-20 N 24231A	CABLE , coded "AAO," assembly (Mod. 1291)	1	—	ECC	
	10-20 N 20859A	CABLE , coded "B6," assembly (Pre Mod. 1098)	1	—	ECC	
	10-20 N 20509A	CABLE , coded "B6-S-AM," assembly (Pre Mod. 1098)	1	—	ECC	
	10-20 N 20331A	CABLE , coded "ABS-ABO," assembly (Pre Mod. 1291)	1	—	ECC	
	10-20 N 24229A	CABLE , coded "ABS-ABO," assembly (Mod. 1291)	1	—	ECC	
	10-20 R 4149A	CABLE , coded "AF-ABN-ABO," assembly (Mod. 1291)	1	—	ECC	
	10-20 N 9/189 Mk. 14	CABLE , coded "1.A.ADW.WA-WA.AM.A.6," assembly (Pre Mod. 1291)	1	—	ECC	
	10-20 N 9/189 Mk. 15	CABLE , coded "2.A.ADW.WA-WA.ABO.11," assembly (Pre Mod. 1291)	1	—	ECC	
	10-20 N 9/189 Mk. 16	CABLE , coded "3.A.ADW.WA-WA.H.CR.18," assembly (Pre Mod. 1291)	1	—	ECC	
	10-20 N 9/189 Mk. 17	CABLE , coded "4.A.ADW.WA-WA.AM.A.5," assembly (Pre Mod. 1291/A)	1	—	ECC	
	10-20 N 9/189 Mk. 18	CABLE , coded "5.A.ADW.WA-WA.ABO.10," assembly (Pre Mod. 1291)	1	—	ECC	
	10-20 N 9/189 Mk. 2	CABLE , coded "6.ABN.WAC-WAC.Q.H.8," assembly (Pre Mod. 1291)	1	—	ECC	
	10-20 N 9/189 Mk. 3	CABLE , coded "8.ABN.WAA-WAA.Q.B.12," assembly (Pre Mod. 1291)	1	—	ECC	
	10-20 N 9/189 Mk. 4	CABLE , coded "7.ABN.WA★-WA★.ABO.8," assembly (Pre Mod. 1291)	1	—	ECC	
	10-20 N 9/189 Mk. 5	CABLE , coded "7.ABN.WA★-WA★.★.1.D.1," assembly (Pre Mod. 1291)	1	—	ECC	
	10-20 N 9/189 Mk. 6	CABLE , coded "15.ABO.WA★-WA★.AM.A.4," assembly	1	—	ECC	
	10-20 N 9/189 Mk. 7	CABLE , coded "16.ABO.WA★-WA★.ABO.8," assembly (Pre Mod. 1291)	1	—	ECC	
	10-20 N 9/189 Mk. 8	CABLE , coded "20.ABO.WA-WA.H.CR.3," assembly (Pre Mod. 1291)	1	—	ECC	
	10-20 N 9/189 Mk. 9	CABLE , coded "7.ABO.WAD-WAD.S.B.22," assembly	1	—	ECC	
	10-20 N 9/189 Mk. 13	CABLE , coded "3.ABO.WA-WA.H.CK.4," assembly (Pre Mod. 1291)	1	—	ECC	
	10-20 N 9/189 Mk. 19	CABLE , coded "1.B.ADW.WA-WA.AM.A.7," assembly (Pre Mod. 1291)	1	—	ECC	
	10-20 N 9/189 Mk. 20	CABLE , coded "2.B.ADW.WA-WA.ABO.12," assembly (Pre Mod. 1291)	1	—	ECC	
	10-20 N 9/189 Mk. 21	CABLE , coded "3.B.ADW.WA-WA.ABN.7," assembly (Pre Mod. 1291)	1	—	ECC	
	10-20 N 9/389 Mk. 40	CABLE , coded "8.ABO.WA-WA.AM.A.11," assembly (Mod. 1291)	1	—	ECC	
	10-20 N 9/389 Mk. 41	CABLE , coded "10.ABO.WA-WA.AM.A.7," assembly (Mod. 1291)	1	—	ECC	
	10-20 N 9/389 Mk. 42	CABLE , coded "11.ABO.WA-WA.AM.A.6," assembly (Mod. 1291)	1	—	ECC	

INSTALLATION OF ANGLE OF ATTACK INDICATION, CODED "WA"

Ref. No.	Part No.	Description	No. off	Material Specification	Class of Score or L.M.	Place No.
	10-20 N 9/389 Mk. 43	CABLE , coded "12.ABO.WA-WA.AM.A.5," assembly (Mod. 1291)	1	—	ECC	
	10-20 N 9/389 Mk. 36	CABLE , coded "13.ABO.WA★-WA★.★1.C.8," assembly (Mod. 1291)	1	—	ECC	
	10-20 N 9/389 Mk. 27	CABLE , coded "15.ABO.WA★-WA★.★1.D.1," assembly (Mod. 1291)	1	—	ECC	
	10-20 N 21077	COUPLER , servo and dry cell unit, c/w cables, coded "ABM," assembly (Pre Mod. 1291) Spares for:—	1	—	—	
	—	BLOCK , terminal, coded "ABN," group ...	1	—	—	
	DHS.456/10	BLOCK , terminal, 10-way, assembly ... (For breakdown see DHS. Data Sheet)	1	—	—	
5X/3275	PLESSEY CZ.26808	COVER , terminal block ...	1	—	C	
16671	DHS.870/1	PILLAR , fixing ...	1	—	C	ECE1
13589	DHS.870/4	PILLAR , fixing ...	1	—	C	ECW1
	DHS.489/4	SPACER ...	1	P.V.C.	LM	
	—	BLOCK , terminal, coded "ABO," group ...	1	—	—	
	DHS.456/20	BLOCK , terminal, 20-way, assembly ... (For breakdown see DHS. Data Sheet)	1	—	—	ECD1
5X/9149643	PLESSEY CZ.25111	COVER , terminal block ...	1	—	C	EBX3
5X/1004082	PLESSEY Z.50210	LINK , 2-way (Fit between terminal Nos. 15 and 16)	1	—	C	EBX3
7657	DHS.870/5	PILLAR , fixing ...	2	—	C	EBX3
26DV/12296	DHS.489/5	SPACER ...	2	—	C	EBX3
	—	BRACKET , mounting, servo-coupler, group (See sub-section KQ)	—	—	—	
	10-20 N 20505A	CABLE , coded "ABM-ABMN-ABO," assembly	1	—	ECC	
6A/7038	—	CELL , drying ... Attachments for Ref. No. 6A/7038, Cell:—	1	—	P	
28D/1011021	A25/16C	Bolt, 2 BA ...	2	—	C	
28W/9419402	SP.13/C	Washer ...	2	—	C	
28E/8018278	AS.3180/8B	CLIP , "P" ... Attachments for AS.3180/8B, Clip:—	1	—	C	
28M/10327	AGS.2002/B/1	Nut, 4 BA ...	1	—	C	
28S/9992522	A32/B16	Screw, 4 BA ...	1	—	C	
28W/9419465	SP.13/B	Washer ...	2	—	C	
28E/1201807	AS.3180/5B	CLIP , "P" ... Attachments for AS.3180/5B, Clip:—	1	—	C	
28D/1009984	A25/7B	Bolt, 4 BA ...	1	—	C	
6A/6562	—	GENERATOR , servo, coded "ABM" ...	1	—	P	
	10-20 N 24289	GENERATOR , three tone, coded "ABM," assembly (Mod. 1291) Spares for:—	1	—	—	
	—	BLOCK , terminal, coded "ABN," group ...	1	—	—	
	DHS.456/10	BLOCK , terminal, 10-way, assembly ... (For breakdown see DHS. Data Sheet)	1	—	—	
5X/3275	PLESSEY CZ.26808	COVER , terminal block ...	1	—	C	
26DL/15401	DHS.870/2	PILLAR , fixing ...	1	—	C	NK3
7657	DHS.870/5	PILLAR , fixing ...	1	—	C	EBX3

ELECTRICAL INSTALLATIONS

INSTALLATION OF ANGLE OF ATTACK INDICATION, CODED "WA"

Ref. No.	Part No.	Description	No. off	Material Specification	Class of Store or L.M	Plate No.
	DHS.456/20	BLOCK , terminal, coded "ABO," group ...	1	—	—	
		BLOCK , terminal, 20-way, assembly ... (For breakdown see DHS. Data Sheet)	1	—	—	ECD1
5X/9149643	PLESSEY CZ.25111	COVER , terminal block ...	1	—	C	EBX3
5X/1004083	PLESSEY Z.50211	LINK , 3-way (Fit between terminal Nos. 13, 14 and 15)	1	—	C	
7657	DHS.870/5	PILLAR , fixing ...	2	—	C	EBX3
26DY/12296	DHS.489/5	SPACER ...	2	—	C	EBX3
5195	DHS.849	SCREW , terminal (Fit at terminal Nos. 13, 14 and 15)	3	—	C	
		BRACKET , mounting, three tone generator, group (See sub-section KQ)	—	—	—	
	10-20 N 24227A	CABLE , coded "ABM-ABN-ABO," assembly	1	—	ECC	
28E/9000882	AS.3180/7B	CLIP , "P" ...	1	—	C	
		Attachments for AS.3180/7B, Clip :—				
28M/10287	AGS.2001/B/1	Nut, 4 BA ...	1	—	C	
28S/9992522	A32/B16	Screw, 4 BA ...	1	—	C	
28W/9419465	SP.13/B	Washer ...	1	—	C	
28E/9436819	AS.3180/3B	CLIP , "P" ...	1	—	C	
		Attachments for AS.3180/3B, Clip :—				
28D/1009984	A25/7B	Bolt, 4 BA ...	1	—	C	
6A/8210		GENERATOR , coded "ABM" ...	1	—	P	
	10-20 N 24249A	RESISTOR , and panel, c/w wiring, coded "ABN-A," assembly	1	—	—	
	10-20 N 24249A/ CABLES	CABLES , link ...	AR	—	ECC	
	10-20 N 24243A	PANEL , bare, assembly ...	1	—	—	
5905-99-011-3231		RESISTOR , 100 ohms ...	1	—	—	
		RELAY , and mounting plate, coded "AAO," group	1	—	—	
16921	10-20 N 20471	COVER , relay ...	1	—	C	ECJ1
	10-20 N 20853	PLATE , packing. ".015 thick ...	1	LFS.21,	LM	ECJ1
				23 or 26		
16915	10-20 N 20467A	RELAY , and mounting plate, c/w cables, assembly	1	—	P	ECJ1
	10-20 N 20467A/ CABLES	CABLES , link ...	QR	—	ECC	
5K/1200716	SP.40/B12	GROMMET ...	2	—	C	
	PLESSEY	PLUG ...	1	—	P	
	UK-AN-8000-18-1P					
	PLESSEY					
5935-99-580-9603	508/2/05604/002	PIN , plug ...	—	—	—	
5945-99-053-0453		RELAY , Type SM5A-N25 ...	2	—	P	
	PLESSEY					
5310-99-915-0815	2Z.139598	WASHER , packing ...	1	—	P	
28W/9137412	AGS.2037/A	WASHER , shakeproof ...	4	—	C	
		Attachments for 10-20 N 20467A, Relay :—				
	28S/9992522	Screw, 4 BA ...	2	—	C	
	28S/9995376	Screw, 4 BA ...	2	—	C	
	28W/9419474	Washer ...	4	—	C	

INSTALLATION OF ANGLE OF ATTACK INDICATION, CODED "WA"

Ref. No.	Part No.	Description	No. ..H	Material Specification	Class of Store or L,M	Place No.
16916	10-20 N 20593A	RELAY , terminal block and mounting bracket, c/w cables, coded "ADW," assembly (Pre Mod. 1291)	1	—	P	ECJ1
	DHS.456/5L	BLOCK , terminal, 5-way, coded "A," assembly (For breakdown see DHS. Data Sheet)	1	—	—	ECH3
	DHS.456/5	BLOCK , terminal, 5-way, coded "B," assembly (For breakdown see DHS. Data Sheet)	1	—	—	ECH3
		Attachments for DHS.456/5L or DHS.456/5, Block:—				
28S/1005622	A31/B28	Screw, 4 BA	2	—	C	
	10-20 N 20589A	BRACKET , assembly	1	—	—	
	10-20 N 20591ND	BRACKET , bare, 18 SWG	1	L.72	LM	ECJ1
28M/9434252	AGS.2018/B/1	NUT , anchor, 4 BA	4	—	C	
	10-20 N 20593A/ CABLES	CABLES , link	QR	—	ECC	
10F/0119145	—	RELAY (5945-99-011-9145)	1	—	P	
		Attachments for Ref. No. 10F/0119145, Relay:—				
28M/10287	AGS.2001/B/1	Nut, 4 BA	2	—	C	
28S/1012450	A32/B10	Screw, 4 BA	2	—	C	
	10-20 N 20587A	RESISTOR , assembly (Fit between terminals A1-A2, A4-A5, and B1-B2)	3	—	—	
20987	10-20X9363	WASHER	QR	—	C	
	—	INSTALLATION AT FRAME 96", AFT FACE, PORT (Drg. No. 10-20 N 13463)	1	—	—	
	—	TERMINAL , earth, station 1, coded "C," group (Mod. 1291)	1	—	—	
26DV/7529	DHS.438/C	TAG , corrosion	1	—	C	EBX3
26DV/4969	DHS.437/C	TERMINAL , earth, assembly (For breakdown see DHS. Data Sheet)	1	—	C	ECG1
	—	TERMINAL , earth, station 1, coded "D," group	1	—	—	
26DV/7529	DHS.438/C	TAG , corrosion	1	—	C	EBX3
26DV/4969	DHS.437/C	TERMINAL , earth, assembly (For breakdown see DHS. Data Sheet)	1	—	C	ECG1
		Attachments for DHS.437/C, Terminal:—				
28D/9137409	AS.1246/2C	Bolt, 2 BA	2	—	C	
28M/10288	AGS.2001/C/1	Nut, 2 BA	2	—	C	
28W/9419404	SP.16/C	Washer	2	—	C	
	—	INSTALLATION AT PILOT'S ATTACK SIGHT PANEL, CODED "AU," and AT CONTACTING A.I. UNIT (Drg. Nos. 10-20 N 11421, 10-20 N 22007 Pre Mod. 1098 and 10-20 S 14067)	1	—	—	
	—	BLOCK , terminal, coded "AM-A," group ...	1	—	—	
	DHS.456/20	BLOCK , terminal, 20-way, assembly ... (For breakdown see DHS. Data Sheet)	1	—	—	
5X/9149643	PLESSEY CZ.25111	COVER , terminal block (5940-99-914-9643)	1	—	C	EBX3
5X/9450403	PLESSEY Z. 28426	PILLAR , fixing (5340-99-945-0403) ...	2	—	C	
	10-20 N 22773A	CABLE , coded "AM-A-AA1," assembly (Mod. 1098)	1	—	ECC	

ELECTRICAL INSTALLATIONS

INSTALLATION OF ANGLE OF ATTACK INDICATION, CODED "WA"

Ref. No.	Part No.	Description	1 2 3 4 5 6						No. off	Material Specification	Class of Store or L.M	Plate No.
			1	2	3	4	5	6				
	10-20 N 9/389 Mk. 44	CABLE, coded "12.AM.A.WA-WA.5.B.18," assembly (Mod. 1291)							1	—	ECC	
	10-20 N 9/289 Mk. 26	CABLE, coded "20.A.AM.WAE-WAE.S.B.24," assembly (Mod. 1098B, Pre Mod. 1291)							1	—	ECC	
	10-20 N 15167A	INDEX, approach, c/w cables, coded "ABQ-AM.A," assembly (Pre Mod. 1291)							1	—	ECC	ECJ1
	10-20 N 24169A	INDEX, approach, c/w cables, coded "ABQ-AM.A," assembly (Mod. 1291)							1	—	ECC	ECJ1
	10-20 N 24169A/ CABLES	CABLES							QR	—	ECC	
	—	PLATE, mounting, index approach (See sub-section FB)							—	—	—	
	—	INDICATOR, incidence, angle of attack coded "ABR" (Pre Mod. 1098) (See sub-section FB)							—	—	—	
	—	INSTALLATION AT PILOT'S SWITCH PANEL, CODED "H" (Drg. Nos. 10-20 N 12967A, 10-20 N 15777 Pre Mod.803, 10-20 N 22227 Mod. 1053 and Mod. 803)							1	—	—	
	—	BLOCK, terminal, coded "CK," group (Pre Mod. 1291A and B)							1	—	—	
	DHS.456/20L	BLOCK, terminal, 20-way, assembly (For breakdown see DHS. Data Sheet)							1	—	—	ECH3
5X/9149643 12732	PLESSEY CZ. 25111 10-20 N 8085	COVER, terminal block (5940-99-914-9643)							1	—	C	EBX3
	—	PILLAR, fixing							2	—	C	
	DHS.456/20L	BLOCK, terminal, coded "CL," group							1	—	—	
	—	BLOCK, terminal, 20-way, assembly (For breakdown see DHS. Data Sheet)							1	—	—	ECH3
5X/9149643 12732	PLESSEY CZ.25111 10-20 N 8085	COVER, terminal block (5940-99-914-9643)							1	—	—	EBX3
26DV/12296	DHS.489/5	PILLAR, fixing							2	—	C	
	—	SPACER							2	—	C	
	DHS.456/5L	BLOCK, terminal, coded "CN," group (Mod. 1291)							1	—	—	
	—	BLOCK, terminal, 5-way, assembly (For breakdown see DHS. Data Sheet)							1	—	—	ECH3
5X/9149641 12732	PLESSEY CZ.26805 10-20 N 8085	COVER, terminal block (5940-99-914-9641)							1	—	C	
	—	PILLAR, fixing							2	—	C	
	DHS.456/20L	BLOCK, terminal, coded "CR," group							1	—	—	
	—	BLOCK, terminal, 20-way, assembly (For breakdown see DHS. Data Sheet)							—	—	—	
5X/9149643 12732	PLESSEY CZ.25111 10-20 N 8085	COVER, terminal block (5940-99-914-9643)							1	—	C	EBX3
	—	PILLAR, fixing							2	—	C	
6A/6460	—	BOX, controller, coded "ABS," group							1	—	—	
6A/8212	—	BOX, control (Pre Mod. 1291)							1	—	P	
	10-20 N 22101	BOX, control, (Mod. 1291)							1	—	P	
	—	PLATE, blanking 20 SWG (Fit when Box, Ref. No. 6A/6460 or 6A/8212 is not fitted)							1	L.72	LM	ECJ1
28DU/9480269	A173/1D	BOLT, 10-32 UNF							4	—	C	
	10-20 N 20825	GASKET, packing							1	—	—	ECJ1
	10-20 N 15771A/ CABLES	CABLE, link (Pre Mod. 803) (For cables circuit coded "WA")							QR	—	ECC	

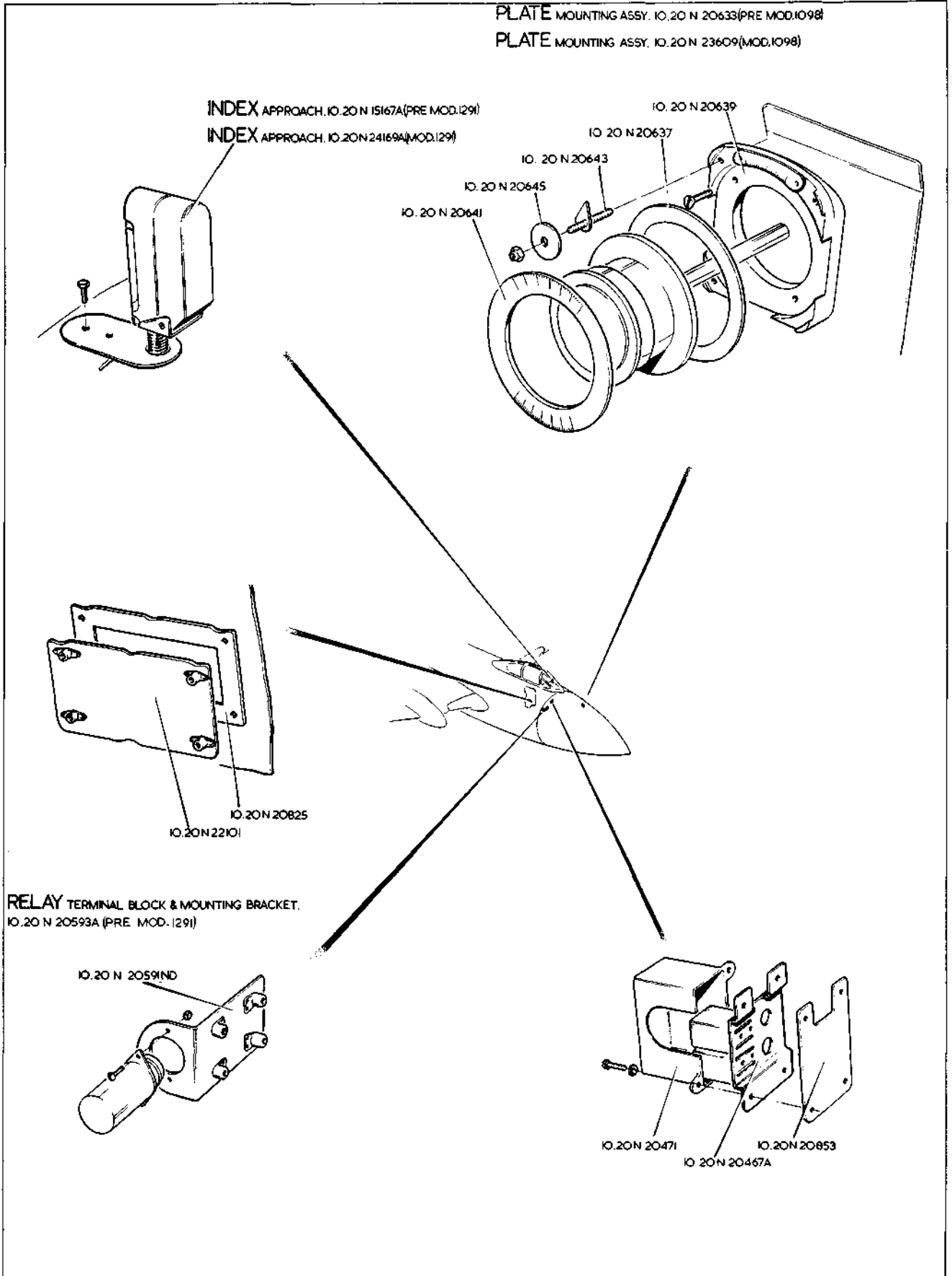
INSTALLATION OF ANGLE OF ATTACK INDICATION, CODED "WA"

Ref. No.	Part No.	Description	No. off	Material Specification	Class of Store or L.M	Plate No.
	10-20 N 22251A/ CABLES	CABLE , link (Mods. 2 and 803) (For cables circuit coded "WA")	QR	—	ECC	
	10-20 N 9/189 Mk. 10	CABLE , coded "8.CL.H.FPD-FPD.T.D.1," assembly	1	—	ECC	
	—	INSTALLATION AT PILOT'S INSTRUMENT PANEL, CODED "B" (Drg. No. 10-20 N 13403)	1	—	—	
	—	INDICATOR , angle of attack, coded "W" (See sub-section FB)	—	—	—	
	—	INSTALLATION AT GROUP, CODED "T," COCKPIT WALL, STARBOARD (Drg. Nos. 10-20 N 5733 and 10-20 N 11421)	1	—	—	
	10-20 N 9/189 Mk. 11	CABLE , coded "A.2.E.T.FPD★-FPD★.T.D.2," ... assembly	1	—	ECC	
	10-20 N 9/189 Mk. 12	CABLE , coded "5.D.T.WAF-WAF.S.B.20," ... assembly	1	—	ECC	
5CW/6452	—	SWITCH , magnetic, Type 9B, No. 1A, coded "D" Attachments for Ref. No. 5CW/6452, Switch:—	1	—	P	
28M/10327	AGS.2002/B/1	Nut, 4 BA	2	—	C	
28S/1008085	A32/B32	Screw, 4 BA	2	—	C	
28V/9419465	SP.13/B	Washer	2	—	C	
	—	INSTALLATION AT GROUP, CODED "S," COCKPIT WALL, STARBOARD (Drg. No. 10-20 N 12977)	1	—	—	
	—	BLOCK , fuse, coded "B," group	1	—	—	
	—	BLOCK , fuse, 12-way (See sub-section EBV)	—	—	—	
10H/23864	—	FUSE , 5 amp. (Pre Mod. 1291)	3	—	C	
10H/23864	—	FUSE , 5 amp. (Mod. 1291)	4	—	C	
	—	INSTALLATION AT REAR PRESSURE BULK- HEAD, CODED "Q" (Drg. No. 10-20 N 14755)	1	—	—	
	—	BLOCKS , fuse, coded "B" and "H," group ...	1	—	—	
	—	BLOCKS , fuse, 12-way (See sub-section EBV)	—	—	—	
10H/23864	—	FUSE , 5 amp. (Pre Mod. 129)	2	—	—	
	—	INSTALLATION AT RELAY PANEL, CODED "AF"	1	—	—	
	—	BLOCK , terminal, coded "A," group (See sub-section NH)	1	—	—	
	—	BLOCK , terminal, coded "B," group (Mod. 1291) (See sub-section NH)	1	—	—	
	—	BLOCK , terminal, coded "E," group (Pre Mod. 1291) (See sub-section NH)	—	—	—	
32B/—	—	TAPE , identification, numbers and letters, use from Ref. Nos. 32B/1087 to 32B/1120, inclusive, as required	QR	—	C	

ELECTRICAL INSTALLATIONS

INSTALLATION OF ANGLE OF ATTACK INDICATION, CODED "WA"

Ref. No.	Part No.	Description						No. off	Material Specification	Class of Store or L.M	Place No.
		1	2	3	4	5	6				



ECJ. 1

ELECTRICAL INSTALLATION
ANGLE OF ATTACK INDICATION, CODED WA

ECJ. 1

[AL. 61]

This file was downloaded
from the RTFM Library.

Link: www.scottbouch.com/rtfm

Please see site for usage terms,
and more aircraft documents.

