

**ELECTRICAL INSTALLATIONS
INSTALLATION OF FLAP LOCK INDICATORS
AND ELAVATOR POSITION WARNING, CODED "WQ"**

Ref. No.	Part No.	Description	No. off	Material Specification	Class of Score or L.M	Place No.
	—	INSTALLATION OF FLAP LOCK INDICATORS AND ELEVATOR POSITION WARNING, CODED "WQ"	1	—	—	
	—	INSTALLATION AT PILOT'S INSTRUMENT PANEL, CODED "B" (Drg. Nos. 10-20 N 24879A Pre Mod. 1500, Mod. 1549, 10-20 N 3789A Mods. 1500 and 1549 and 10-20 N 13403 Mod. 657)	1	—	—	
	10-20 N 13615A	CABLE, coded "B1," assembly (Mod. 657) ... (For cables circuit coded "WQ")	1	—	ECC	ECQ1
5CW/5057	DOWTY C.5162Y Mk. 3	SWITCH, Type B, coded "T" ... Attachments for Ref. No. 5CW/5057, Switch:—	1	—	P	ECQ1
28M/9403517	A47/Z	Nut, 8 BA ...	2	—	C	
28S/9135420	A32/Z12	Screw, 8 BA ...	2	—	C	
	—	INSTALLATION AT REAR PRESSURE BULK-HEAD, CODED "Q" (Drg. Nos. 10-20 N 14755A and 10-20 N 11421)	1	—	—	
	—	BLOCK, fuse, coded "K," group ...	1	—	—	
	—	BLOCK, fuse, 12-way (See sub-section EBV)	1	—	—	
10H/23862	—	FUSE, 10 amp. ... (For cables circuit coded "WQ")	1	—	C	ECQ1
	10-20 N 22741A	CABLE, bung "Q2," coded "FB," assembly ... (Mod. 1042, Pre Mod. 803) (For cables circuit coded "WQ")	1	—	ECC	ECQ1
	10-20 N 22743A	CABLE, bung "Q2," coded "FB," assembly ... (Mods. 1042 and 803) (For cables circuit coded "WQ")	1	—	ECC	ECQ1
	10-20 N 14755A/ CABLES	CABLES, link, assembly (Mod. 738) ... (For cables circuit coded "WQ")	QR	—	ECC	ECQ1
5CW/6453	—	SWITCH, magnetic, Type 9B, No. 2A, coded "V" and "W" Attachments for Ref. No. 5CW/6453, Switch:—	2	—	P	ECQ1
28D/9130082	AS.1246/3B	Bolt, 4 BA ...	2	—	C	
28W/9419474	SP.15/B	Washer ...	2	—	C	

**ELECTRICAL INSTALLATIONS
INSTALLATION OF FLAP LOCK INDICATORS
AND ELEVATOR POSITION WARNING, CODED "WQ"**

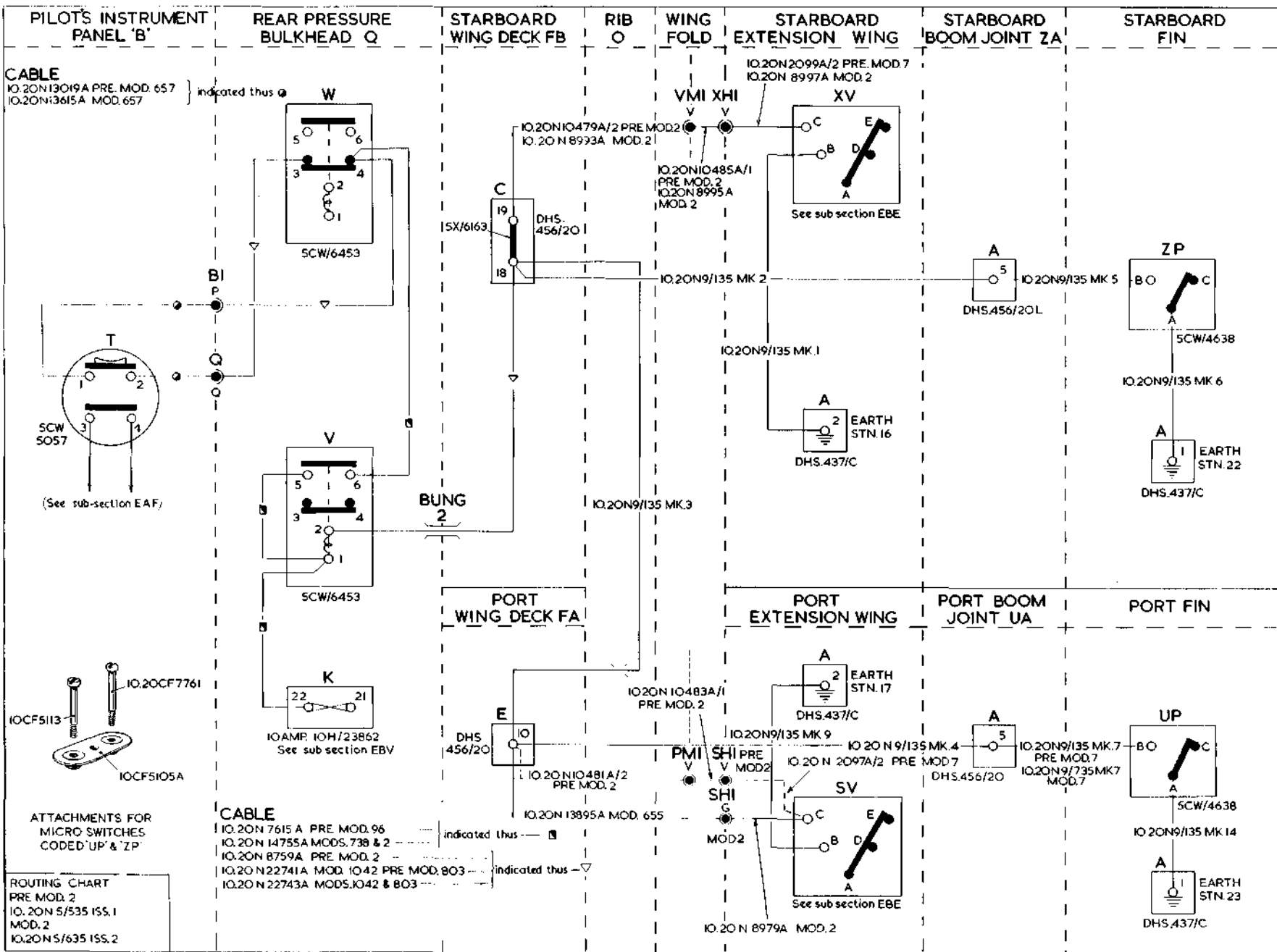
Ref. No.	Part No.	Description	No. off	Material Specification	Class of Score or L.M	Plate No.
	—	INSTALLATION AT PORT WING DECK PANEL, CODED "FA" (Drg. Nos. 10-20 N 13301A, 10-20 N 11143, 10-20 N 10109 and 10-20 N 11211)	1	—	—	
	DHS.546/20	BLOCK , terminal, 20-way, coded "E," assembly (For breakdown see DHS. Data Sheet)	1	—	—	ECQ1
14987	10-20 N 8231	Attachments for DHS.456/20, Block:—				
28W/9419474	SP.15/B	Pillar, fixing, 4 BA	2	S.92	C	
		Washer	2	—	C	
	10-20 N 9/135 Mk. 3	CABLE , coded "10.E.FA.WQ-WQ.FB.C.18," assembly	1	—	ECC	ECQ1
	10-20 N 9/135 Mk. 4	CABLE , coded "10.E.FA.WQ-WQ.UA.A.5," assembly	1	—	ECC	ECQ1
	10-20 N 13895A	CABLE , coded "SH1," assembly (Mod. 655) ... (For cables circuit coded "WQ")	1	—	ECC	ECQ1
	—	INSTALLATION AT STARBOARD WING DECK PANEL, CODED "FB" (Drg. Nos. 10-20 N 2679, 10-20 N14863A and 10-20 N 11213)	1	—	—	
	DHS.456/20	BLOCK , terminal, coded "C," group ...	1	—	—	
		BLOCK , terminal, 20-way, assembly ... (For breakdown see DHS. Data Sheet)	1	—	—	ECQ1
5X/9149643	PLESSEY CZ.25111	COVER , terminal block (5940-99-914-9643)	1	—	C	
5X/1004082	PLESSEY Z.50210	LINK , terminal connecting, 2-way ... (5940-99-100-4082)	1	—	C	ECQ1
5X/9450403	PLESSEY Z.28426	PILLAR , fixing, 4 BA (5340-99-945-0403) ...	2	—	C	
28W/9419474	SP.15/B	WASHER	2	—	C	
	10-20 N 9/135 Mk. 2	CABLE , coded "18.C.FB.WQ-WQ.ZA.A.5," assembly	1	—	ECC	ECQ1
	10-20 N 8993A	CABLE , coded "VM1," assembly ... (For cables circuit coded "WQ")	1	—	ECC	ECQ1
	—	INSTALLATION AT EXTENSION WING, PORT (Drg. No. 10-20 N 11509)	1	—	—	
	10-20 N 9/135 Mk. 9	CABLE , coded "B.SV.WQ-WQ.★17.A.2," assembly	1	—	ECC	ECQ1

ELECTRICAL INSTALLATIONS INSTALLATION OF FLAP LOCK INDICATORS AND ELEVATOR POSITION WARNING, CODED "WQ"

Ref. No.	Part No.	Description	No. of	Material Specification	Class of Store or L.M.	Place No.
	10-20 N 8979A	CABLE , coded "SH1," assembly (Mod. 2) ... (For cables circuit coded "WQ")	1	—	ECC	ECQ1
	—	SWITCH , micro, coded "SV" (See sub-section EBE)	—	—	—	—
26DV/7529	DHS.438/C	TERMINAL , earth, station 17, coded "A," group	1	—	—	—
26DV/4969	DHS.437/C	TAG , corrosion	1	L.16	C	—
	—	TERMINAL , earth, assembly (For breakdown see DHS. Data Sheet)	1	—	C	ECQ1
	—	Attachments for DHS.437/C, Terminal :—				
28D/9436920	A25/1C	Bolt, 2 BA	2	—	C	—
28W/9419454	SP.10/C	Washer	2	—	C	—
	—	INSTALLATION AT STARBOARD WING-FOLD (Drg. Nos. 10-20 N 2613 Pre Mod. 7 and 10-20 N 11513 Mod. 2)	1	—	—	—
	10-20 N 10485A/1	CABLE , coded "VM1-XH1," assembly (Pre Mod. 2)	1	—	ECC	ECQ1
	10-20 N 8995A	CABLE , coded "VM1-XH1," assembly (Mod. 2) (For cables circuit coded "WQ")	1	—	ECC	ECQ1
	—	INSTALLATION AT EXTENSION WING, STARBOARD (Drg. Nos. 10-20 N 2275 Pre Mod. 7 and 10-20 N 11511 Mod. 2)	1	—	—	—
	10-20 N 9/135 Mk. 1	CABLE , coded "2.A.16*.WQ-WQ.XV.B," assembly	1	—	ECC	ECQ1
	10-20 N 2099A/2	CABLE , coded "XH1," assembly (Pre Mod. 7) ... (For cables circuit coded "WQ")	1	—	ECC	ECQ1
	10-20 N 8997A	CABLE , coded "XH1," assembly (Mod. 2) ... (For cables circuit coded "WQ")	1	—	ECC	ECQ1
	—	SWITCH , coded "XV" (See sub-section EBE) ...	—	—	—	—
26DV/7529	DHS.438/C	TERMINAL , earth, station 16, coded "A," group	1	—	—	—
26DV/4969	DHS.437/C	TAG , corrosion	1	L.16	C	—
	—	TERMINAL , earth, assembly (For breakdown see DHS. Data Sheet)	1	—	C	ECQ1
	—	Attachments for DHS.437/C, Terminal :—				
28D/9436920	A25/1C	Bolt, 2 BA	2	—	C	—
28W/9419454	SP.10/C	Washer	2	—	C	—
	—	INSTALLATION AT PORT BOOM JOINT, CODED "UA" (Drg. Nos. 10-20 N 8701 and 10-20 N 13793)	1	—	—	—
	10-20 N 9/135 Mk. 7	CABLE , coded "5.A.UA.WQ-WQ.UP.B," assembly (Pre Mod. 7)	1	—	ECC	ECQ1
	10-20 N 9/735 Mk. 7	CABLE , coded "5.A.UA.WQ-WQ.UP.B., assembly (Mod. 7)	1	—	ECC	ECQ1
	—	PANEL , terminal block, hinged, coded "AU," assembly Spares for :—	1	—	—	—
	DHS.456/20	BLOCK , terminal, 20-way, coded "A," assembly (For breakdown see DHS. Data Sheet)	1	—	—	ECQ1
	—	Attachments for DHS.456/20, Block :—				
28D/12138	AS.1246/10B	Bolt, 4 BA	2	—	C	—
26DV/12296	DHS.489/5	Spacer	2	P.V.C.	C	—
	—	(For remainder of breakdown see sub-section EAY)				

**ELECTRICAL INSTALLATIONS
INSTALLATION OF FLAP LOCK INDICATORS
AND ELEVATOR POSITION WARNING, CODED "WQ"**

Ref. No.	Part No.	Description	No. off	Material Specification	Class of Store or L.M	Plate No.
		INSTALLATION AT PORT FIN (Drg. Nos. 10-20 CF 7809A/1, 10-20 TF 913 and 10-20 N 8701)	1	—	—	
	10-20 N 9/135 Mk. 14	CABLE , coded "A.UP.WQ-WQ.★23.A.1," assembly	1	—	ECC	ECQ1
3384	10 CF 5105A	SWITCH , micro, coded "UP," group	1	—	—	
5CW/4638	—	PLATE , nut, assembly	1	—	C	ECQ1
		SWITCH , micro	1	—	P	ECQ1
		Attachments for Ref. No. 5CW/4638, Switch :—				
10817	10-20 CF 7761	Bolt , 4 BA	1	S.96	C	ECQ1
3385	10 CF 5113	Bolt , 4 BA	1	S.96	C	ECQ1
26DV/4969	DHS.437/C	TERMINAL , earth, station 23, coded "A," assembly (For breakdown see DHS. Data Sheet)	1	—	C	
		Attachments for DHS.437/C, Terminal :—				
2339	DHS.358/5C	Bolt , 2 BA	2	—	C	
28W/9419475	SP.15/C	Washer	2	—	C	
		INSTALLATION AT STARBOARD BOOM	1	—	—	
		JOINT, CODED "ZA" (Drg. Nos. 10-20 N 13787 and 10-20 N 8701)	1	—	—	
	10-20 N 9/135 Mk. 5	CABLE , coded "S.A.ZA.WQ-WQ.ZP.B," assembly	1	—	ECC	ECQ1
		PANEL , terminal block, hinged, coded "ZA," assembly	1	—	—	
		Spares for :—				
	DHS.456/20L	BLOCK , terminal, 20-way, L.H., coded "A," assembly (For breakdown see DHS. Data Sheet)	1	—	—	ECQ1
		Attachments for DHS.456/20L, Block :—				
28D/12138	AS.1246/10B	Bolt , 2 BA	2	—	C	
26DV/12296	DHS.489/5	Spacer	2	P.V.C.	C	
		(For remainder of breakdown see sub-section EAY)				
		INSTALLATION AT STARBOARD FIN (Drg. Nos. 10-20 CF 7809A/1, 10-20 N 2003 and 10-20 N 8701)	1	—	—	
	10-20 N 9/135 Mk. 6	CABLE , coded "A.ZP.WQ-WQ.★22.A.1," assembly	1	—	ECC	ECQ1
		SWITCH , micro, coded "ZP," group	1	—	—	
3384	10 CF 5105A	PLATE , nut, assembly	1	—	C	ECQ1
5CW/4638	—	SWITCH , micro	1	—	P	ECQ1
		Attachments for Ref. No. 5CW/4638, Switch :—				
10817	10-20 CF 7761	Bolt , 4 BA	1	S.96	C	ECQ1
3385	10 CF 5113	Bolt , 4 BA	1	S.96	C	ECQ1
26DV/7529	DHS.438/C	TERMINAL , earth, station 22, coded "A," group	1	—	—	
26DV/4969	DHS.437/C	TAG , corrosion	1	L.16	C	
		TERMINAL , earth, assembly (For breakdown see DHS. Data Sheet)	1	—	C	ECQ1
		Attachments for DHS.437/C, Terminal :—				
28D/9436920	A25/1C	Bolt , 2 BA	2	—	C	
28M/10288	AGS.2001/C/1	Nut , 2 BA	2	—	C	
28W/9419402	SP.13/C	Washer	2	—	C	
32B/—	—	TAPE , identification, numbers and letters, use from Ref. Nos. 32B/1087 to 32B/1120 inclusive, as required	QR	—	C	



EQ.1

ELECTRICAL INSTALLATION
FLAP LOCK INDICATORS AND ELEVATORS POSITION WARNING
CODED WQ

EQ.1
 [All 59]

RESTRICTED

