

ELECTRICAL INSTALLATIONS

INSTALLATION OF FATIGUE METER, CODED "FF"

Ref. No.	Part No.	Description 1 2 3 4 5 6	No. off	Material Specification	Class of Store or L.M.	Plate No.
	—	INSTALLATION OF FATIGUE METER, CODED "FF"	1	—	—	
	—	INSTALLATION AT STARBOARD WING DECK PANEL, CODED "FB" (Drg. Nos. for use on Pre Mod. 2 A/C :—10-20 N 8803A/3, 10-20 N 2599 and 10-20 N 10113) (Drg. Nos. for use on Mod. 2 A/C :—10-20 N 14863A, 10-20 N 11701 and 10-20 N 11143)	1	—	—	
	—	BLOCK, fuse, coded "U," group	1	—	—	ECS1
	—	BLOCK, fuse, 12-way (See sub-section "EBV")	1	—	—	
10H/23864	—	FUSE, 5 amp.	1	—	C	ECS1
	DHS.456/20	BLOCK, terminal, 20-way, coded "F," assembly (For breakdown see DHS. Data Sheet)	1	—	—	ECS1
	—	Attachments for DHS.456/20, Block :—				
14987	10-20 N 8231	Pillar, fixing, 4 BA (Mod. 934)	2	S.92	—	ECS1
28W/9419474	SP.15/B	Washer	2	—	C	
	10-20 N 9/184 Mk. 5	CABLE, coded "7.F.FB.FF-FF.JA.G.2," assembly	1	—	ECC	ECS1
	10-20 N 9/184 Mk. 3	CABLE, coded "7.F.FB.FF-FF.VZ.9," assembly	1	—	ECC	ECS1
	10-20 N 9/184 Mk. 1	CABLE, coded "18.U.FB.FF-FF.VZ.8," assembly	1	—	ECC	ECS1
	—	INSTALLATION AT STARBOARD WHEEL WELL (Drg. Nos. 10-20 N 2399, 10-20 N 2641)	1	—	—	
	—	BLOCK, terminal, coded "VZ," group	1	—	—	
	DHS.456/20L	BLOCK, terminal, 20-way, assembly (For breakdown see DHS. Data Sheet)	1	—	—	ECS1
9/149643	—	COVER, terminal block	1	—	C	ECS1
5X/6465	PLESSEY CZ.25111	NUT, 4 BA	2	—	C	
28M/10287	AGS.2001/B/1	PILLAR, fixing, 4 BA	2	—	C	ECS1
5X/3278	PLESSEY Z.28426	PLATE, adaptor, terminal block, assembly ...	1	—	—	ECS1
	10-20 N 9853A	CHANNEL, 18 SWG	1	L.72	LM	ECS1
	10-20 N 10023ND	PLATE, bare, 18 SWG	1	L.72	LM	ECS1
	10-20 N 7189ND	SCREW, 4 BA	2	—	C	
28S/14005	A32/B14	CABLE, coded "8.VZ.FF-FF.WK.D," assembly	1	—	ECC	ECS1
	10-20 N 9/184 Mk. 2	CABLE, coded "9.VZ.FF-FF.WK.E," assembly	1	—	ECC	ECS1
	10-20 N 9/184 Mk. 4					
	—	INSTALLATION AT UNDERCARRIAGE SHOCK ABSORBER UNIT, STARBOARD (Drg. No. 10-20 N 2641)	1	—	—	
28E/1201809	AS.3180/6B	CLIP, "P," securing fatigue meter cables ...	1	—	C	
5CW/4639	—	SWITCH, micro, coded "WK"	1	—	P	ECS1
	—	Attachments for Ref. No. 5CW/4639, Switch :—				
28D/11994	AS.1242/18B	Bolt, 4 BA	2	—	C	
28M/10327	AGS.2002/B/1	Nut, 4 BA	2	—	C	

ELECTRICAL INSTALLATIONS

INSTALLATION OF FATIGUE METER, CODED "FF"

Ref. No.	Part No.	Description	No. of						Material Specification	Class of Spare or L.M.	Place No.
			1	2	3	4	5	6			
	—	INSTALLATION AT ACCUMULATOR BULK-HEAD, CODED "JA" (Drg. No. 10-20 N 8337)	1						—	—	
	—	BLOCK , terminal, coded "JAG," group ...	1						—	—	
	DHS.456/20	BLOCK , terminal, 20-way, assembly ... (For breakdown see DHS. Data Sheet)	1						—	ECS1	
16180	10-20 N 10687A	COVER , terminal block, assembly ...	1						C	ECS1	
16898	10-20 N 10685	COVER , bare ...	1						C	ECS1	
	10-20 N 10683	SCREW , fixing, shouldered, 2 BA ...	2					BS.249	—	ECS1	
	10-20 N 10681	SPACER , tapped, 2 BA ...	2					LFB.82 or 89	—	ECS1	
12732	10-20 N 8085	PILLAR , fixing, 4 BA ...	2					S.93	C	ECS1	
	10-20 N 11153A	CABLE , coded "JA.V," assembly ...	1						ECC	ECS1	
6A/6487	—	METER , fatigue, Mark 14, coded "JA.V," (Mod. 954) Attachments for Ref. No. 6A/6487, Meter:—	1						P	ECS1	
28S/2856	A32/C12	Screw, 2 BA (For blanking purposes only—4 forward holes)	4						C		
28S/1011490	A32/C16	Screw, 2 BA ...	4						C		
28W/9419402	SP.13/C	Washer ...	4						C		
	—	TERMINAL , earth, station 5, coded "C," ^{group} assembly	1						—	—	
26DV/7529	DHS.438/C	TAG , corrosion ...	1					L.16	C	ECS1	
26DV/4969	DHS.437/C	TERMINAL , earth, assembly ... (For breakdown see DHS. Data Sheet) Attachments for DHS.437/C, Terminal:—	1						C	ECS1	
28D/11255	AS.1246/2C	Bolt, 2 BA ...	2						C		
28W/9419402	SP.13/C	Washer ...	2						C		
32B/—	—	TAPE , identification, numbers and letters, use from Ref. Nos. 32B/1087 to 32B/1120 inclusive, as required	QR						C		

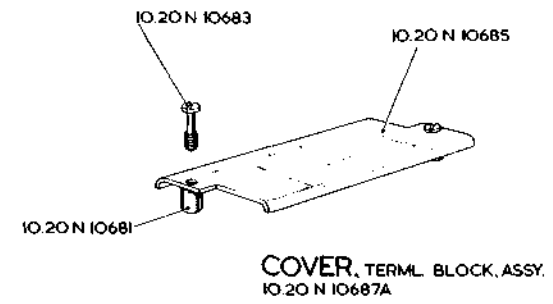
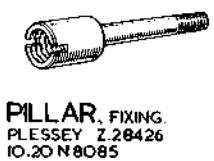
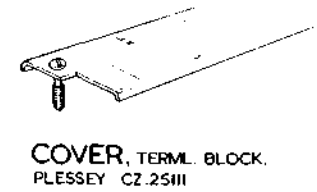
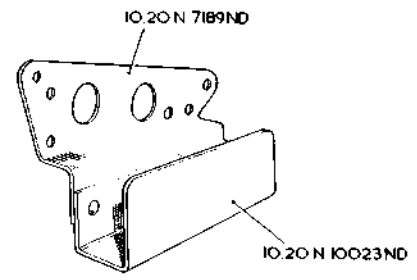
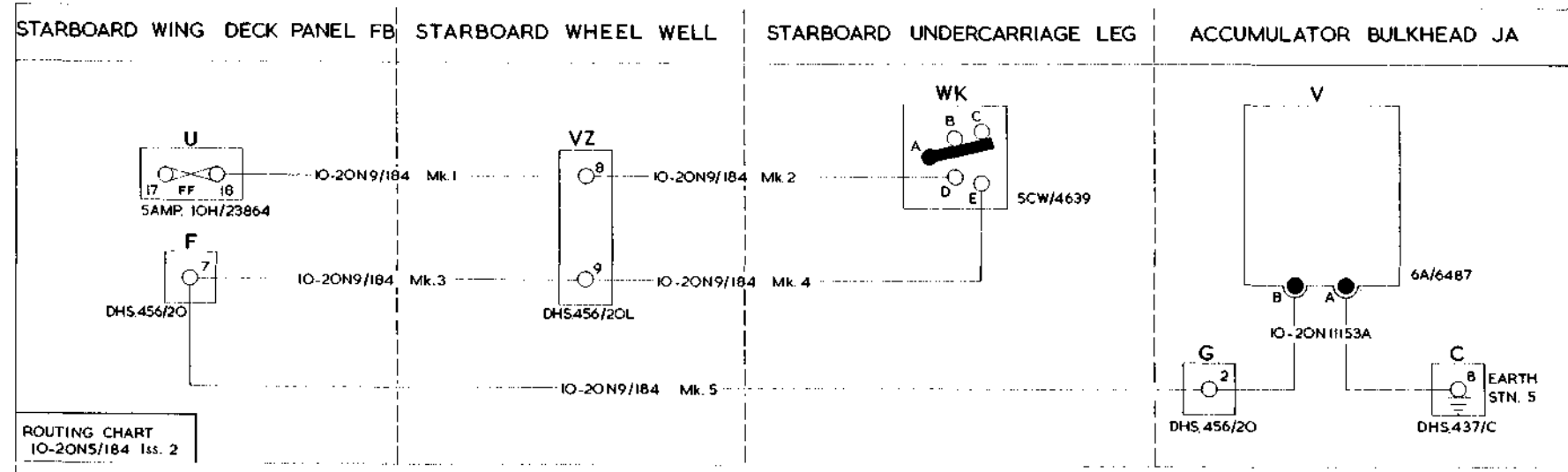
A.L.61

ECS.1

ELECTRICAL INSTALLATION
FATIGUE METER
CODED FF

ECS.1

AL 49



RESTRICTED

See Vixen Mk. 1

RESTRICTED

Plate ECS1

This file was downloaded
from the RTFM Library.

Link: www.scottbouch.com/rtfm

Please see site for usage terms,
and more aircraft documents.

