

**ELECTRICAL INSTALLATIONS**

**INSTALLATION OF MK. VI ARTIFICIAL HORIZON, CODED "FH" (PRE MOD 1373)**

Ref. No.	Part No.	Description	No. off	Material Specification	Class of Score or L.M.	Plate No.
	—	<b>INSTALLATION OF MK. VI ARTIFICIAL HORIZON, CODED "FH"</b>	1	—	—	
	—	<b>INSTALLATION AT PILOT'S INSTRUMENT PANEL, CODED "B"</b>	1	—	—	
	—	<b>INDICATOR</b> , artificial horizon, coded "M" (See sub-section FB)	—	—	—	
	—	<b>INSTALLATION AT LOWER PANEL, CODED "H"</b> (Drg. No. for use on Pre Mod. 2 A/C :—10-20 N 9665A/2 Pre Mod. 7) (Drg. Nos. for use on Mod. 2 A/C :—10-20 N 15833A Mod. 702 Pre Mod. 803, and 10-20 N 15709A Mod. 803)	1	—	—	
	—	<b>BLOCK</b> , fuse, coded "CW," group ...	1	—	—	
	—	<b>BLOCK</b> , fuse, 12-way (See sub-section EBV) ...	1	—	—	
10H/23864	—	<b>FUSE</b> , 5 amp. ...	1	—	C	ECU1
	—	<b>INSTALLATION AT UPPER PANELS, CODED "H" AND "H-A"</b> (Drg. Nos. for use on Pre Mod. 2 A/C :—10-10 N 11801 and 10-20 N 8553) (Drg. Nos. for use on Mod. 2 A/C :—10-20 N 15777, 10-20 N 22227, 10-20 N 11421, 10-20 N 13987 and 10-20 N 22379)	1	—	—	
	—	<b>BLOCK</b> , terminal, coded "CM," group ...	1	—	—	
	DHS.456/20L	<b>BLOCK</b> , terminal, 20-way, assembly ... (For breakdown see DHS. Data Sheet)	1	—	—	ECU1
	10-20 N 13731A	<b>BRACKET</b> , assembly ...	1	—	—	ECU1
	10-20 N 13729ND	<b>BRACKET</b> , bare, 20 SWG ...	1	L.72	—	ECU1
28M/9434251	AGS.2008/B/1	<b>NUT</b> , 4 B.A., anchor ...	2	—	C	
	—	Attachments for 10-20 N 13731A, Bracket :—				
28S/9992522	A32/B16	<b>Screw</b> , 4 BA ...	2	—	C	
28W/9419465	SP.13/B	<b>Washer</b> ...	2	—	C	
5X/9149643	PLESSEY CZ.25111	<b>COVER</b> , terminal block ...	1	—	C	
12732	10-20 N 8085	<b>PILLAR</b> , fixing, 4 BA ...	2	—	C	ECU1
28W/9419465	SP.13/B	<b>WASHER</b> ...	2	—	C	
	—	<b>BLOCK</b> , terminal, coded "K-A," group, mounted on Panel "H" (Pre Mod. 803)	1	—	—	
	DHS.456/20	<b>BLOCK</b> , terminal, 20-way, assembly ... (For breakdown see DHS. Data Sheet)	1	—	—	ECU1
5X/9149643	PLESSEY CZ.25111	<b>COVER</b> , terminal block ...	1	—	C	
13953	10-20 N 12679	<b>PILLAR</b> , fixing, 4 BA ...	2	S.92	C	ECU1
5195	DHS.849	<b>SCREW</b> , special (Fit to terminals 1, 2, 5, 6, 7, 8, 9, 10, 11, 12)	10	—	C	
	—	<b>BLOCK</b> , terminal, coded "K-A," group, mounted on Panel "H-A" (Mod. 803)	1	—	—	
	DHS.456/20	<b>BLOCK</b> , terminal, 20-way, assembly ... (For breakdown see DHS. Data Sheet)	1	—	—	ECU1
5X/9149643	PLESSEY CZ.25111	<b>COVER</b> , terminal block ...	1	—	C	
5X/9450403	PLESSEY Z.28426	<b>PILLAR</b> , fixing, 4 BA ...	2	S.92	C	ECU1
5195	DHS.849	<b>SCREW</b> , special (Fit to terminals 1, 2, 5, 6, 7, 8, 9, 10, 11, 12)	10	—	C	

**ELECTRICAL INSTALLATIONS**

**INSTALLATION OF MK. VI ARTIFICIAL HORIZON, CODED "FH" (PRE MOD 1373)**

AL61

Ref. No.	Part No.	Description	No. off	Material Specification	Class of Store or L.M.	Plate No.
	10-20 N 12985A	<b>CABLE</b> , coded "DH-B7," assembly ... ..	1	—	ECC	ECU1
	10-20 N 9/679 Mk. 2	<b>CABLE</b> , coded "16.CM.H.FHE-FHE.Q.AE.20," assembly	1	—	ECC	ECU1
	10-20 N 9/679 Mk. 3	<b>CABLE</b> , coded "13.CM.H.PZ-PZ.Q.J.10," assembly	1	—	ECC	ECU1
	10-20 N 9/679 Mk. 4	<b>CABLE</b> , coded "4.A-K.PZ-PZ.Q.J.19," assembly (Pre Mod. 803)	1	—	ECC	ECU1
	10-20 N 9/679 Mk. 5	<b>CABLE</b> , coded "4.K-A.H-A.PZ-PZ.Q.J.19," assembly (Mod. 803)	1	—	ECC	ECU1
	10-20 N 13415/ CABLES	<b>CABLES</b> , link (Pre Mods. 2 and 803) ... .. (For cables circuit coded "FH")	QR	—	ECC	ECU1
	10-20 N 15771/ CABLES	<b>CABLES</b> , link (Mod. 2, Pre Mod. 803) ... .. (For cables circuit coded "FH")	QR	—	ECC	ECU1
	10-20 N 22251/ CABLES	<b>CABLES</b> , link (Mods. 2 and 803) ... .. (For cables circuit coded "FH")	QR	—	ECC	ECU1
16397	10-20 N 13591A	<b>GUARD</b> , switch, assembly (Mod. 796) ... .. Spares for :—	1	—	C	
12244	10-20 N 10153	<b>PIN</b> ... ..	1	—	C	
12245	10-20 N 10147	<b>SPRING</b> ... ..	1	—	C	
28V/1200070	SP.23/Y	<b>WASHER</b> ... ..	1	—	C	
28M/10286	AGS.2001/A/1	Attachments for 10-20 N 13591A, Guard :—				
28S/1200058	A33/A12	Nut, 6 BA ... ..	2	—	C	
		Screw, 6 BA ... ..	2	—	C	
10F/0510583	—	<b>SWITCH</b> , toggle, coded "AT" ... ..	1	—	P	ECU1
	—	<b>INSTALLATION AT REAR PRESSURE BULK-HEAD, CODED "Q" (Drg. Nos. for use on Pre Mod. 2 A/C :—10-20 N 7907, 10-20 N 7615A, 10-20 N 8553) (Drg. Nos. for use on Mod. 2 A/C :—10-20 N 10635, 10-20 N 14755A, 10-20 N 11421)</b>	1	—	—	
	—	<b>BLOCK</b> , fuse, coded "H," group ... ..	1	—	—	
	—	<b>BLOCK</b> , fuse, 12-way (See sub-section EBV)	1	—	—	
10H/23864	—	<b>FUSE</b> , 5 amp. ... ..	2	—	C	ECU1
	—	<b>BLOCK</b> , terminal, coded "AE," group ... ..	1	—	—	
	DHS.456/20	<b>BLOCK</b> , terminal, 20-way, assembly ... .. (For breakdown see DHS. Data Sheet)	1	—	—	ECU1
5X/9149643	PLESSEY CZ.25111	<b>COVER</b> , terminal block ... ..	1	—	C	ECC1
7657	DHS.870/5	<b>PILLAR</b> , fixing, 4 BA (Pre Mod. 2) ... ..	2	S.1	C	ECU1
16671	DHS.870/1	<b>PILLAR</b> , fixing, 4 BA (Mod. 2) ... ..	2	S.1	C	ECU1
	10-20 N 13469ND	<b>SPACER</b> (Make from DHS.489/5) (Pre Mod. 2)	2	P.V.C.	LM	ECC1
28V/9419401	SP.10/B	<b>WASHER</b> (Fit under outboard foot of terminal block) (Mod. 2)	2	—	C	
	—	<b>BLOCK</b> , terminal, coded "J," group ... ..	1	—	—	
	DHS.456/20	<b>BLOCK</b> , terminal, 20-way, assembly ... .. (For breakdown see DHS. Data Sheet)	1	—	—	ECU1
5X/9149643	PLESSEY CZ.25111	<b>COVER</b> , terminal block ... ..	1	—	C	
5X/9450403	PLESSEY Z.28426	<b>PILLAR</b> , fixing, 4 BA ... ..	2	—	C	

INSTALLATION OF MK. VI ARTIFICIAL HORIZON, CODED "FH" (PRE MOD 1373)

Ref. No.	Part No.	Description	No. off	Material Specification	Class of Store or L.M.	Plate No.
	10-20 N 12987A	<b>CABLE</b> , coded "DH," assembly ... .. (Mod. 542, Pre Mod. 7)	1	—	ECC	ECU1
	10-20 N 13835A	<b>CABLE</b> , coded "DH," assembly (Mods. 542 and 7)	1	—	ECC	ECU1
	10-20 N 7615A/ CABLES	<b>CABLES</b> , link. assembly (Pre Mod. 96) ... .. (For cables circuit coded "FH")	1	—	ECC	ECU1
	10-20 N 14755A/ CABLES	<b>CABLES</b> , link. assembly (Mod. 738) ... .. (For cables circuit coded "FH")	1	—	ECC	ECU1
	10-20 N 14499A	<b>RESISTOR</b> , at torque switch box, coded "C," assembly (Mod. 796)	1	—	—	ECU1
16399	10-20 N 14503A	<b>BASE</b> , resistor, assembly ... ..	1	—	C	ECU1
	10-20 N 14511	<b>CLIP</b> , 22 SWG ... ..	1	BS.265	LM	ECU1
		Attachments for 10-20 N 14511, Clip :—				
28S/1006979	A32/A10	Screw, 6 BA ... ..	1	—	C	
28W/9137412	AGS.2037/A	Washer ... ..	1	—	C	
16398	10-20 N 14507	<b>COVER</b> , fibre glass ... ..	1	—	C	
		Attachments for 10-20 N 14507, Cover :—				
28S/9150965	A44/AB	Screw, 6 BA ... ..	2	—	C	
28W/9137412	AGS.2037/A	Washer ... ..	2	—	C	
	10-20 N 14501A	<b>RESISTOR</b> , assembly ... ..	1	—	—	ECU1
		Spares for :—				
5X/9400381	—	<b>LUG</b> ... ..	2	—	C	
S905/99/011/9802	—	<b>RESISTOR</b> , Type WRV4-L, 4.7 ohms, 6 watts	1	—	C	
		Attachments for 10-20 N 14501A, Resistor :—				
28S/9419436	A31/A6	Screw, 6 BA ... ..	2	—	C	
28W/9137412	AGS.2037/A	Washer ... ..	2	—	C	
		Attachments for 10-20 N 14499A, Resistor :—				
28S/1200060	A33/A16	Screw, 6 BA ... ..	2	—	C	
		<b>TERMINAL</b> , earth, station 2, coded "E," group	1	—	—	
26DV/7529	DHS.438/C	<b>TAG</b> , corrosion ... ..	1	L.16	C	
26DV/4969	DHS.437/C	<b>TERMINAL</b> , earth, assembly ... ..	1	—	C	ECU1
		(For breakdown see DHS. Data Sheet)				
		Attachments for DHS.437/C, Terminal :—				
28M/10288	AGS.2001/C/1	Nut, 2 BA ... ..	2	—	C	
28W/9419475	SP.15/C	Washer ... ..	2	—	C	
		<b>UNIT</b> , control inverter, group (Drg. No. 10-20 N 14121) (Mod. 542)	1	—	—	
6A/6370	—	<b>BOX</b> , control inverter, coded "DH" ... .. (Mod. 1284)	1	—	—	ECU1
	10-20 FS 16727A	<b>MOUNTING</b> , control inverter unit (For spares use 10-20 FS 17611A/ND)	1	—	—	
16106	10-20 FS 17611A/ND	<b>MOUNTING</b> , control inverter unit (Spares condition)	1	—	C	
		Attachments for 10-20 FS 16727A, Mounting :—				
28D/9133012	A25/3C	Bolt, 2 BA ... ..	2	—	C	
28D/1200119	A25/4C	Bolt, 2 BA ... ..	2	—	C	
28M/9403520	A27/CP	Nut, 2 BA ... ..	2	—	C	
28M/10288	AGS.2001/C/1	Nut, 2 BA ... ..	2	—	C	
26FC/2036	DHS.69/CC	Shim, Attewell ... ..	QR	LA.3	C	
1791	DHS.727/C12	Washer, support ... ..	2	—	C	
26DL/7263	DHS.728/C12	Washer, support ... ..	2	—	C	
26DV/9733	DHS.728/C16	Washer, support ... ..	1	—	C	
6A/6009	—	<b>TRAY</b> , mounting ... ..	1	—	—	
		Attachments for Ref. No. 6A/6009, Tray :—				
15697	10-20 FS 16555	Bolt, 4 BA ... ..	4	S.96	C	
FK/3405	AS 3360	Lead, banding	1	—	C.	

ELECTRICAL INSTALLATIONS

INSTALLATION OF MK. VI ARTIFICIAL HORIZON, CODED "FH" (PRE MOD 1373) A.L.61

Ref. No.	Part No.	Description	No. off	Material Specification	Class of Store or L.M.	Plate No.
32B/—	—	TAPE, identification, numbers and letters, use from Ref. Nos. 32B/1087 to 32B/1120 inclusive, as required	QR	—	C	

ELECTRICAL INSTALLATIONS

**ELECTRICAL INSTALLATIONS**

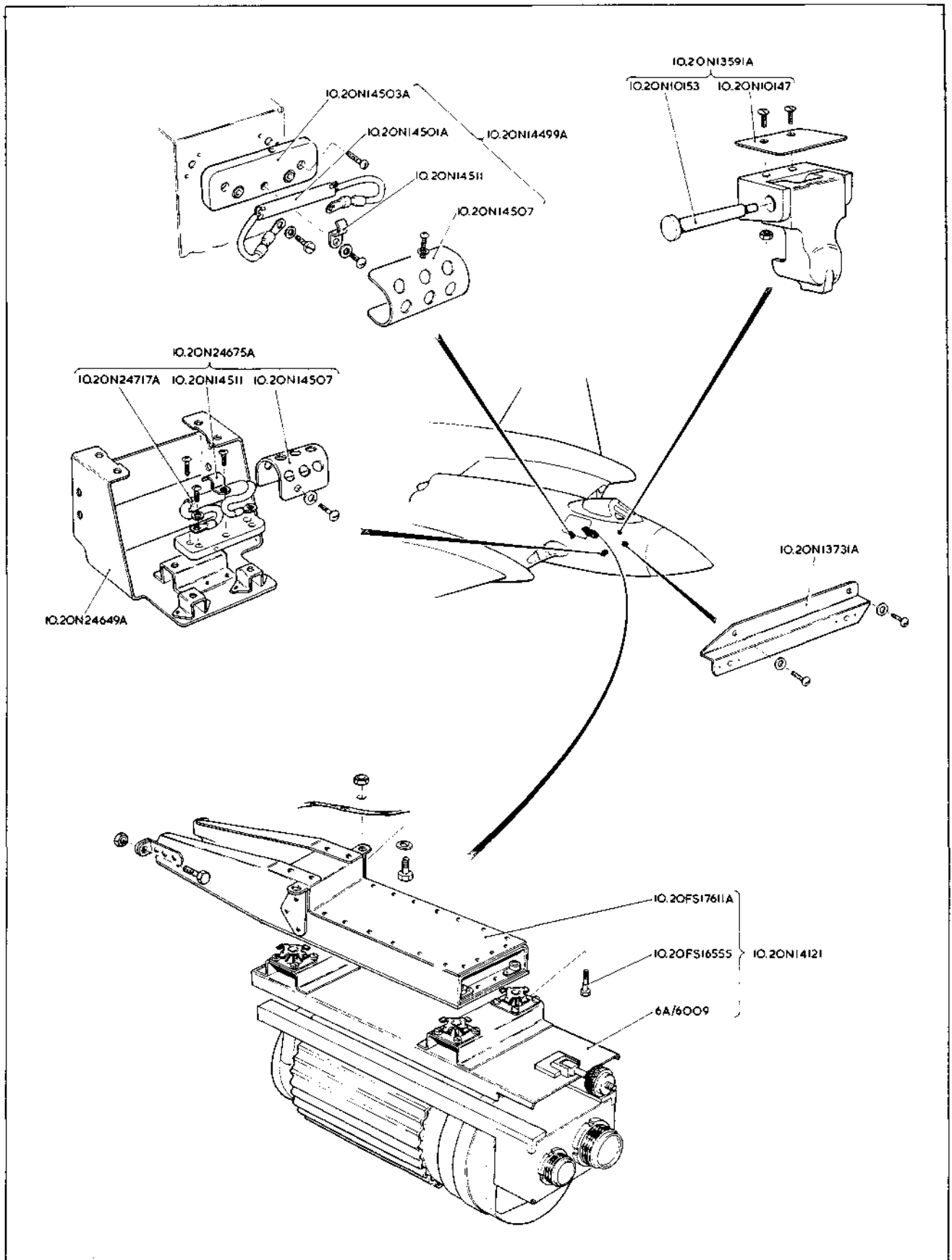
**INSTALLATION OF HORIZON GYRO UNIT MK. 5, CODED "FH" (MOD' 1373)**

Ref. No.	Part No.	Description	No. of	Material Specification	Class of Store or L.M.	Plate No.
28S/1200066	A33/B20	Attachments for 10-20 N 24675A, Resistor :— Screw, 4 BA	2	—	C	
28D/9436920	A25/1C	Attachments for 10-20 N 24653A, Relay/Resistor :— Bolt, 2 BA	2	—	C	
28W/9419402	SP.13/C	Washer	2	—	C	
	—	<b>INSTALLATION AT REAR PRESSURE BULK-HEAD, CODED "Q" (Drg. Nos. 10-20 N 10635, 10-20 N 14755A, 10-20 N 11421 and 10-20 N 11713)</b>	1	—	—	
	—	<b>BLOCK</b> , fuse, coded "H," group	1	—	—	
	—	<b>BLOCK</b> , fuse, 12-way (See sub-section EBV)	1	—	—	
10H/23864	—	<b>FUSE</b> , 5 amp.	2	—	C	
	—	<b>BLOCK</b> , terminal, coded "AE," group	1	—	—	
	DHS.456/20	<b>BLOCK</b> , terminal, 20-way, assembly (For breakdown see DHS. Data Sheet)	1	—	—	
5X/9149643	PLESSEY CZ.25111	<b>COVER</b> , terminal block (5940-99-914-9643)	1	—	C	
16671	DHS.870/1	<b>PILLAR</b> , fixing, 4 BA	2	—	C	
5195	DHS.849	<b>SCREW</b> , special (Fit at terminal No. 2)	1	—	C	
28W/9419401	SP.10/B	<b>WASHER</b> (Fit under outboard foot of terminal block)	2	—	C	
	—	<b>BLOCK</b> , terminal, coded "J," group	1	—	—	
	DHS.456/20	<b>BLOCK</b> , terminal, 20-way, assembly (For breakdown see DHS. Data Sheet)	1	—	—	
5X/9149643	PLESSEY CZ.25111	<b>COVER</b> , terminal block (5940-99-914-9643)	1	—	C	
5X/9450403	PLESSEY Z.28426	<b>PILLAR</b> , fixing, 4 BA (5340-99-945-0403)	1	—	C	
	10-20 N 13835A	<b>CABLE</b> , coded "DH," assembly (Mod. 542 and 7)	1	—	ECC	
	10-20 N 14755A/ CABLES	<b>CABLES</b> , link, assembly (For cables circuit coded "FH")	1	—	ECC	
	10-20 N 14499A	<b>RESISTOR</b> , at torque switch box, coded "C," assembly	1	—	—	ECU1
	16399	<b>BASE</b> , resistor, assembly	1	—	C	ECU1
	20595	<b>CLIP</b> , special	1	—	C	ECU1
	28S/1006979	Attachments for 10-20 N 14511, Clip :— Screw, 6 BA	1	—	C	
	28W/9137412	Washer	1	—	C	
	16398	<b>COVER</b> , fibre glass	1	—	C	ECU1
	28S/9150965	Attachments for 10-20 N 14705, Cover :— Screw, 6 BA	2	—	C	
	28W/9137412	Washer	2	—	C	
	10-20 N 14501A	<b>RESISTOR</b> , assembly Spares for :—	1	—	—	ECU1
	ROSS COURTNEY	<b>LUG</b> (5940-99-940-0381)	2	—	C	
	RC.340	<b>RESISTOR</b> , Type WRV4-L, 4.7 ohms, 6 watts	1	—	C	
	5905-99-011-9802	Attachments for 10-20 N 14501A, Resistor :— Screw, 6 BA	2	—	C	
	28S/9419436	Washer	2	—	C	
	28W/9137412	Attachments for 10-20 N 14499A, Resistor :— Screw, 6 BA	2	—	C	
	28S/1200060					

**ELECTRICAL INSTALLATIONS**

**INSTALLATION OF HORIZON GYRO UNIT MK. 5, CODED "FH" (MOD. 1373)**

Ref. No.	Part No.	Description						No. off	Material Specification	Class of Store or L.M	Plate No.
		1	2	3	4	5	6				
26DV/7529	—	<b>TERMINAL</b> , earth, station 2, coded "E," group						1	—	—	
26DV/4969	DHS.438/C	<b>TAG</b> , corrosion ... ..						1	—	C	
	DHS.437/C	<b>TERMINAL</b> , earth, assembly ... ..						1	—	C	
		(For breakdown see DHS. Data Sheet)									
		Attachments for DHS.437/C, Terminal :—									
28M/10288	AGS.2001/C/1	Nut, 2 BA ... ..						2	—	C	
28W/9419475	SP.15/C	Washer ... ..						2	—	C	
	—	<b>UNIT</b> , control inverter, group (Drg. No. 10-20 N 14121)						1	—	—	ECU1
6A/6370	—	<b>BOX</b> , control inverter, coded "DH" ...						1	—	—	
	10-20 FS 16727A	<b>MOUNTING</b> , control inverter unit (For spares use 10-20 FS 17611A/ND)						1	—	—	
16106	10-20 FS 17611A/ND	<b>MOUNTING</b> , control inverter unit (Spares condition)						1	—	C	ECU1
		Attachments for 10-20 FS 16727A, Mounting :—									
28D/9133012	A25/3C	Bolt, 2 BA ... ..						2	—	C	
28D/1200119	A25/4C	Bolt, 2 BA ... ..						2	—	C	
28M/9403520	A27/CP	Nut, 2 BA ... ..						2	—	C	
28M/10288	AGS.2001/C/1	Nut, 2 BA ... ..						2	—	C	
26FC/2036	DHS.69/CC	Shim, Attewell ... ..						QR	—	C	
	1791	Washer, support ... ..						2	—	C	
26DL/7263	DHS.728/C12	Washer, support ... ..						2	—	C	
26DV/9733	DHS.728/C16	Washer, support ... ..						1	—	C	
6A/6009	—	<b>TRAY</b> , mounting ... ..						1	—	—	ECU1
		Attachments for Ref. No. 6A/6009, Tray :—									
15697	10-20 FS 16555	Bolt, 4 BA ... ..						4	—	C	ECU1
5K/3405	AS.3360/B/3C	Lead, bonding ... ..						1	—	C	
32B/—	—	<b>TAPE</b> , identification, numbers and letters, use from Ref. Nos. 32B/1087 to 32B/1120 inclusive, as required						QR	—	C	



ECU.1

# ELECTRICAL INSTALLATION

ARTIFICIAL HORIZON

CODED FH

ECU.1  
(AL7)

This file was downloaded  
from the RTFM Library.

Link: [www.scottbouch.com/rtfm](http://www.scottbouch.com/rtfm)

Please see site for usage terms,  
and more aircraft documents.

