

INSTALLATION OF CABLE CONDUITS, DUCTING AND ACCESSORIES

Ref. No.	Part No.	Description	No. off	Material Specification	Class of Store or L.M.	Place No.
	—	INSTALLATION AT ACCUMULATOR BULK-HEAD (Drg. No. 10-22 N 8337)	1	—	—	
	—	CLIPS, group	1	—	—	
28D/1010658	A25/1B	BOLT, 2 BA	1	—	C	
28D/1008149	A25/2B	BOLT, 4 BA	2	—	C	
28D/9137409	AS.1246/2C	BOLT, 2 BA	3	—	C	
28E/1201809	AS.3180/6B	CLIP, "P"	1	—	C	
28E/1201808	AS.3180/6C	CLIP, "P" (Pre Mod. 1254)	1	—	C	
28E/9144901	AS.3180/10C	CLIP, "P" (Mod. 1254)	1	—	C	
28E/9450597	AS.3180/16C	CLIP, "P" (Pre Mod. 1254)	1	—	C	
28E/9143385	AS.3180/18C	CLIP, "P"	1	—	C	
28E/9450598	AS.3180/20C	CLIP, "P" (Mod. 1254)	1	—	C	
28E/14633	AS.5418/9	CLIP, "P"	3	—	C	
28E/14209	AS.5418/10	CLIP, "P"	4	—	C	
28E/16186	AS.5418/13	CLIP, "P"	1	—	C	
28E/14212	AS.5418/16	CLIP, "P"	1	—	C	
28E/9130756	AS.5419/16	CLIP, "P" (Mod. 1254)	1	—	C	
28E/—	AS.5419/22	CLIP, "P" (Mod. 1254)	1	—	C	
	10-20 N 13007	CLIP, saddle, 18 SWG	1	L.72	LM	ECZ21
	10-20 N 6825	FAIRLEAD, half	2	$\frac{3}{32}$ " LFS.23 or 26	LM	ECZ21
	10-20 N 24565	FAIRLEAD, half	2	$\frac{3}{32}$ " LFS. 23 or 26	LM	ECZ21
		Attachments for 10-20 N 6825 or 10-20 N 24565, Fairlead :—				
28D/1214865	AS.1246/2B	Bolt, 4 BA	2	—	C	
28W/9419474	SP.15/B	Washer	2	—	C	
28M/10287	AGS.2001/B/1 10-20 N 7079ND	NUT, 4 BA RUBBER, Burley, 1" dia. with .05 slot x 2.5 long (Make from Ref. No. 32C/600)	2 QR	— —	C LM	ECZ21
28S/9992522	A32/B16	SCREW, 4 BA	1	—	C	
28S/9992533	A32/C20	SCREW, 2 BA	1	—	C	
28S/1011491	A32/C24	SCREW, 2 BA	1	—	C	
5F/9434858	HELLERMANN HV.3254	STRAP, $\frac{1}{16}$" wide, cable fastening	QR	—	C	
5F/9434857	HELLERMANN HV.3341	STRAP, $\frac{1}{16}$" wide, cable fastening	QR	—	C	
5F/9138823	HELLERMANN NY.3255	STUD, nylon, for $\frac{1}{16}$" cable fastening strap	QR	—	C	
5F/2302	HELLERMANN NY.3342	STUD, nylon for $\frac{1}{16}$" cable fastening strap	QR	—	C	
	DHA.65	TAPE, kerosene resistant	QR	—	—	
28W/9419465	AS.2811/5/040 SP.13/B	TUBE, distance, $\frac{1}{16}$" o/d x 17 SWG x 0".40 long	1	L.62	LM	
28W/9419475	SP.15/C	WASHER	4	—	C	
		WASHER	5	—	C	
	—	INSTALLATION AT BOOM AND FIN, PORT (Drg. No. 10-20 N 11089)	1	—	—	
	—	BLOCK, clamp, adjacent to rib No. 10, group ...	1	—	—	
	10-20 N 2041	BLOCK, clamp, half	2	LFS.21	LM	ECZ4
	10-20 N 2043	BLOCK, clamp, half	2	LFS.21	LM	ECZ4
28D/9140648	A25/19C	BOLT, 2 BA	2	—	C	
26FC/2036	DHS.69/CC	SHIM, washer	QR	—	C	ECZ3
	—	STRIP, bonding, .015 thick (Make from Ref. No. 30B/1232) (Mod. 1326)	QR	Zinc	LM	
28W/9436805	SP.11/C	WASHER	2	—	C	

ELECTRICAL INSTALLATIONS

INSTALLATION OF CABLE CONDUITS, DUCTING AND ACCESSORIES

Ref. No.	Part No.	Description	No. off						Material Specification	Class of Store or LM	Plate No.	
			1	2	3	4	5	6				
	—	BLOCK , clamp, between frame Nos. 2 and 7, group							1	—	—	
	10-20 N 4305	BLOCK , clamp, half						LFS.21	6	LM	ECZ4	
	10-20 N 4307	BLOCK , clamp, half						LFS.21	6	LM	ECZ4	
28D/9132448	A25/12B	BOLT , 4 BA						—	10	C		
28D/1011013	A25/13B	BOLT , 4 BA, to be used with "P" clips						—	2	C		
28E/14209	AS.5418/10	CLIP , "P," at frame Nos. 2 and 3						—	2	C		
	—	STRIP , bonding, at frame Nos. 2, 5 and 7, ".015 thick (Make from Ref. No. 30B/1232) (Mod. 1326)						Zinc	QR	LM		
12397	DHS.738/4.3	STRIP , capping, 18 SWG						—	1	C	ECZ4	
28W/9419474	SP.15/B	WASHER						—	2	C		
	10 N 3267	BLOCK , clamp, half, fin head rib						LFS.23	1	LM	ECZ4	
	—	Attachments for 10 N 3267, Block :—										
28D/1009984	A25/7B	Bolt , 4 BA						—	2	C		
	10-20 N 4315	BLOCK , clamp, half, lower, boom-fin joint rib						LFS.21	2	LM	ECZ4	
28D/9435711	A25/10B	Attachments for 10-20 N 4315, Block :—						—	2	C		
	10-20 N 4987	BLOCK , clamp, half, upper, boom-fin joint rib						LFS.21	2	LM	ECZ4	
28D/1214873	AS.1246/11B	Attachments for 10-20 N 4987, Block :—						—	2	C		
	—	BLOCK , clamp, rib No. 8, group						—	1	—		
28D/1010658	10-20 N 4315	BLOCK , clamp, half						LFS.21	2	LM	ECZ4	
28D/9140639	A25/1B	BOLT , 4 BA						—	2	C		
	A25/11B	BOLT , 4 BA						—	2	C		
	10-20 N 4313	BRACKET , mounting						L.72	1	LM	ECZ4	
28M/10287	AGS.2001/B/1	NUT , 4 BA						—	2	C		
	—	STRIP , bonding, ".015 thick (Make from Ref. No. 30B/1232) (Mod. 1326)						Zinc	QR	LM		
	10-20 N 4987	BLOCK , clamp, half, rib No. 8						LFS.21	2	LM	ECZ4	
28D/9435711	A25/10B	Attachments for 10-20 N 4987, Block :—						—	2	C		
	—	BLOCK , clamp, rib Nos. 8 and 10, group						—	1	—		
	10-20 N 491	BLOCK , clamp, half						LFS.21	2	LM	ECZ4	
	10-20 N 493	BLOCK , clamp, half						LFS.21	2	LM	ECZ4	
	10-20 N 495	BLOCK , clamp, half						LFS.21	2	LM	ECZ4	
28D/1220052	A25/17B	BOLT , 4 BA						—	4	C		
	—	STRIP , bonding, ".015 thick (Make from Ref. No. 30B/1232) (Mod. 1326)						Zinc	QR	LM		
28W/9132080	SP.11/B	WASHER						—	2	C		
	10-20 N 487	BLOCK , clamp, half, rib No. 11						LFS.21	2	LM	ECZ4	
	—	Attachments for 10-20 N 487, Block :—										
28D/9435711	A25/10B	Bolt , 4 BA						—	1	C		
	10-20 N 8925ND	CONDUIT , between fin false spar and joint at fin top spar						L.56	2	LM	ECZ3	
	—	Attachments for 10-20 N 8925ND, Conduit :—										
28D/9137408	AS.1246/3B	Bolt , 4 BA						—	1	C		
28E/14241	AS.5418/6	Clip , "P"						—	1	C		
28M/10287	AGS.2001/B/1	Nut , 4 BA						—	1	C		
28W/9419474	SP.15/B	Washer						—	1	C		

ELECTRICAL INSTALLATIONS

INSTALLATION OF CABLE CONDUITS, DUCTINGS AND ACCESSORIES

Ref. No.	Part No.	Description	No. off	Material Specification	Class of Store or L.M.	Plate No.
	10-20 N 2069ND	CONDUIT , between joint at fin top spar and fin head rib, $\frac{3}{8}$ " o/d x 22 SWG	1	L.56	LM	ECZ3
	10-20 N 4527A/ND	CONDUIT , between rib No. 11 to diaphragm, assembly	1	—	—	ECZ3
28M/9434252	10-20 N 2067ND	CONDUIT , lower, $\frac{3}{4}$ " o/d x 24 SWG	1	L.56	LM	ECZ3
	10-20 N 2065ND	CONDUIT , upper, $\frac{3}{4}$ " o/d x 24 SWG	1	L.56	LM	ECZ3
	AGS.2018/B/1	NUT , anchor, 4 BA	2	—	C	
	10-20 N 4523ND	PLATE , butt, 16 SWG	1	L.59	LM	ECZ3
	10-20 N 4525ND	STRAP , 0".5 x 4".0 x 20 SWG	1	L.59	LM	ECZ3
	Attachments for 10-20 N 4527A/ND, Conduit :—					
28D/1008149	A25/2B	Bolt, 4 BA	2	—	C	
28W/9419401	SP.10/B	Washer	2	—	C	
	10-20 N 4743ND	CONDUIT , centre, boom-fin joint rib and rib No. 8, $\frac{3}{4}$ " o/d x 24 SWG	1	L.56	LM	ECZ3
12901	10-20 N 11095ND	CONDUIT , centre, frame No. 2 to joint between frame Nos. 5 and 6, $\frac{3}{4}$ " o/d x 24 SWG (Post Mod. 7)	1	L.56	C	ECZ3
	10-20 N 4735ND	CONDUIT , centre, joint between frame Nos. 5 and 6 to joint at boom-fin joint rib, $\frac{3}{4}$ " o/d x 24 SWG	1	L.56	LM	ECZ3
	10-20 N 2061ND	CONDUIT , inboard, joint between boom-fin joint and rib No. 8 to clamp block adjacent to rib No. 10, $\frac{1}{2}$ " o/d x 22 SWG	1	L.56	LM	ECZ3
	10-20 N 2057ND	CONDUIT , inboard, between rib Nos. 8 and 10, $\frac{3}{4}$ " o/d x 24 SWG	1	L.56	LM	ECZ3
	10-20 N 11149ND	CONDUIT , lower, between frame Nos. 2 and 3, $\frac{3}{8}$ " o/d x 24 SWG	1	L.56	LM	ECZ3
	10-20 N 2059ND	CONDUIT , lower, between rib Nos. 8 and 10, $\frac{3}{4}$ " o/d x 24 SWG	1	L.56	LM	ECZ3
	10-20 N 4749ND	CONDUIT , lower, boom-fin joint rib and rib No. 8, $\frac{3}{8}$ " o/d x 24 SWG	1	L.56	LM	ECZ3
12899	10-20 N 11091ND	CONDUIT , lower, frame No. 2 to joint between frame Nos. 5 and 6, $\frac{3}{8}$ " o/d x 24 SWG (Post Mod. 7)	1	L.56	C	ECZ3
12900	10-20 N 11093ND	CONDUIT , lower intermediate, frame No. 2 to joint between frame Nos. 5 and 6, $\frac{3}{4}$ " o/d x 24 SWG (Post Mod. 7)	1	L.56	C	ECZ3
	10-20 N 4741ND	CONDUIT , lower intermediate, joint between frame Nos. 5 and 6 to joint at boom-fin joint rib, $\frac{3}{4}$ " o/d x 24 SWG	1	L.56	LM	ECZ3
	10-20 N 2055ND	CONDUIT , outboard, between rib Nos. 8 and 10, $\frac{3}{8}$ " o/d x 24 SWG	1	L.56	LM	ECZ3
	10-20 N 2063ND	CONDUIT , outboard, joint between boom-fin joint rib and rib No. 8 to clamp block adjacent to rib No. 10, $\frac{1}{2}$ " o/d x 22 SWG	1	L.56	LM	ECZ3
	10-20 N 4737ND	CONDUIT , upper, boom-fin joint rib and rib No. 8, $\frac{3}{4}$ " o/d x 24 SWG	1	L.56	LM	ECZ3
12903	10-20 N 11099ND	CONDUIT , upper, frame No. 2 to joint between frame Nos. 5 and 6, $\frac{3}{4}$ " o/d x 22 SWG (Post Mod. 7)	1	L.56	C	ECZ3

ELECTRICAL INSTALLATIONS

INSTALLATION OF CABLE CONDUITS, DUCTING AND ACCESSORIES

Ref. No.	Part No.	Description						No. off	Material Specification	Class of Store or LM	Plate No.
		1	2	3	4	5	6				
12902	10-20 N 11097ND	CONDUIT , upper intermediate, frame No. 2 to joint between frame Nos. 5 and 6, 3/4" o/d x 22 SWG (Mod. 7)						1	L.56	C	ECZ3
	10-20 N 7091ND	CONDUIT , upper intermediate, joint between frame Nos. 5 and 6 to joint between boom-fin joint rib and rib No. 8, 1/2" o/d x 22 SWG						1	L.56	LM	ECZ3
	10-20 N 7093ND	CONDUIT , upper, joint between boom-fin joint rib and rib No. 8, 1/2" o/d x 22 SWG						1	L.56	LM	ECZ3
5K/2951	SP.40/C32	GROMMET , on fin main rib						1	—	C	
	—	STRIP , bonding, at clamp blocks, ".015 thick (Make from Ref. No. 30B/1232) (Mod. 1326)						QR	Zinc	LM	
	—	INSTALLATION AT BOOM AND FIN, STARBOARD (Drg. No. 10-20 N 499)						1	—	—	
	—	BLOCK , clamp, between frame Nos. 2 and 7, group						1	—	—	
	10-20 N 4317	BLOCK , clamp, half						6	LFS.21	LM	ECZ6
	10-20 N 4319	BLOCK , clamp, half						6	LFS.21	LM	ECZ6
28D/1010142	A25/9B	BOLT , 4 BA						4	—	C	
28D/9435711	A25/10B	BOLT , 4 BA						2	—	C	
28D/12846	A25/15B	BOLT , 4 BA						6	—	C	
28E/14209	AS.5418/10	CLIP , "P," at frame Nos. 2 and 3						2	—	C	
	—	STRIP , bonding, at frame Nos. 2, 5 and 7, ".015 thick (Make from Ref. No. 30B/1232) (Mod. 1326)						QR	Zinc	LM	
28W/9419474	SP.15/B	WASHER						2	—	C	
	—	BLOCK , clamp, boom-fin joint rib and rib No. 8, group						1	—	—	
	10-20 N 4311	BLOCK , clamp, half						4	LFS.21	LM	ECZ6
28D/9140639	A25/11B	BOLT , 4 BA						4	—	C	
26DV/12294	DHS.489/3	PACKING-PIECE						4	PVC	C	ECZ6
	—	STRIP , bonding, ".015 thick (Make from Ref. No. 30B/1232) (Mod. 1326)						QR	Zinc	LM	
28W/9132080	SP.11/B	WASHER						2	—	C	
	—	BLOCK , clamp, complete with mounting bracket at rib No. 8, group						1	—	—	
	10-20 N 4311	BLOCK , clamp, half						2	LFS.21	LM	ECZ6
28D/1010658	A25/1B	BOLT , 4 BA						2	—	C	
28D/1011011	A25/8B	BOLT , 4 BA						2	—	C	
	10-20 N 2155	BRACKET						1	L.72	LM	ECZ6
	10-20 N 6739A	BRACKET , assembly						1	—	—	ECZ6
	10-20 N 6737ND	BRACKET , bare 18 SWG						1	L.72	LM	ECZ6
38M/13774	AGS.2019/B/1	NUT , 4 BA, anchor						6	—	C	
	—	Attachments for 10-20 N 6739A, Bracket:—									
28D/1010658	A25/1B	Bolt , 4 BA						2	—	C	
28M/10287	AGS.2001/B/1	NUT , 4 BA						2	—	C	
7053	10-20 N 4725	BLOCK , clamp, half, boom-fin joint rib						1	LFS.21	C	ECZ6
7054	10-20 N 4727	BLOCK , clamp, half, boom-fin joint rib						1	LFS.21	C	ECZ6
	—	Attachments for 10-20 N 4725 or 10-20 N 4727, Block:—									
28D/12811	A25/16B	Bolt , 4 BA						2	—	C	

INSTALLATION OF CABLE CONDUITS, DUCTING AND ACCESSORIES

Ref. No.	Part No.	Description	No. off	Material Specification	Class of Store or L.M.	Plate No.
28D/1011011	10-20 N 4311	BLOCK , clamp, half, boom-fin joint rib ...	2	LFS.21	LM	ECZ6
	A25/8B	Attachments for 10-20 N 4311, Block :— Bolt, 4 BA ...	2	—	C	
28D/1009984	10 N 3267	BLOCK , clamp, half, fin head rib ...	2	LFS.23	LM	ECZ6
	A25/7B	Attachments for 10 N 3267, Block :— Bolt, 4 BA ...	2	—	C	
28D/9140648 26FC/2036	—	BLOCK , clamp, rib No. 10, group ...	1	—	—	
	10-20 N 2037	BLOCK , clamp, half ...	1	LFS.21	LM	ECZ6
	10-20 N 2039	BLOCK , clamp, half ...	1	LFS.21	LM	ECZ6
	10-20 N 2041	BLOCK , clamp, half ...	1	LFS.21	LM	ECZ6
	10-20 N 2043	BLOCK , clamp, half ...	1	LFS.21	LM	ECZ6
	A25/19C	BOLT , 2 BA ...	2	—	C	
	DHS.69/CC	SHIM , washer ...	QR	—	C	ECZ6
28W/9436805	—	STRIP , bonding, ".015 thick ... (Make from Ref. No. 30B/1232) (Mod. 1326)	QR	Zinc	LM	ECZ6
	SP.11/C	WASHER ...	2	—	C	
28D/1010029	10-20 N 2147	BLOCK , clamp, half, rib No. 11 ...	2	LFS.21	LM	ECZ6
	A25/6B	Attachments for 10-20 N 2147, Block :— Bolt, 4 BA ...	2	—	C	
28D/12846	10-20 N 2153	BLOCK , clamp, half, upper, rib No. 8 ...	2	LFS.21	LM	ECZ6
	A25/15B	Attachments for 10-20 N 2153, Block :— Bolt, 4 BA ...	2	—	C	
28D/12947 28D/9133011 28E/14241 28E/14242 28M/10288 28W/9419402 28W/9419474	10-20 N 6327ND	CONDUIT , along fin main rib to joint between fin false spar and fin top spar, $\frac{3}{8}$ " o/d × 22 SWG	1	L.56	LM	ECZ5
	AS.1246/3B	Attachments for 10-20 N 6327ND, Conduit :— Bolt ...	1	—	C	
	A25/2C	Bolt ...	1	—	C	
	AS.5418/6	Clip, "P" ...	1	—	C	
	AS.5418/7	Clip, "P" ...	1	—	C	
	AGS.2001/C/1	Nut, 2 BA ...	1	—	C	
	SP.13/C	Washer ...	1	—	C	
	SP.15/B	Washer ...	1	—	C	
	10-20 N 2165ND	CONDUIT , between rib Nos. 8 and 10, $\frac{1}{8}$ " o/d × 24 SWG	1	L.56	LM	ECZ5
	10-20 N 2639ND	CONDUIT , between rib Nos. 8 and 10, $\frac{1}{8}$ " o/d × 22 SWG	1	L.56	LM	ECZ5
	10-20 N 4819ND	CONDUIT , clamp block at frame No. 2 to joint between frame Nos. 5 and 6, $1\frac{1}{4}$ " o/d × 24 SWG	1	L.56	LM	ECZ5
10-20 N 4823ND	CONDUIT , clamp block at frame No. 2 to joint between frame Nos. 5 and 6, $\frac{3}{8}$ " o/d × 24 SWG	1	L.56	LM	ECZ5	
10-20 N 4829ND	CONDUIT , clamp block at frame No. 2 to joint between frame Nos. 5 and 6, $\frac{1}{2}$ " o/d × 22 SWG	1	L.56	LM	ECZ5	
10-20 N 2171ND	CONDUIT , from joint between fin false spar to joint at fin head rib, $\frac{3}{8}$ " o/d × 22 SWG	1	L.56	LM	ECZ5	
10-20 N 4831ND	CONDUIT , joint between boom-fin joint rib to clamp block on rib No. 8, $\frac{1}{2}$ " o/d × 22 SWG	1	L.56	LM	ECZ5	

ELECTRICAL INSTALLATIONS

INSTALLATION OF CABLE CONDUITS, DUCTING AND ACCESSORIES

Ref. No.	Part No.	Description	No. off						Material Specification	Class of Store or L.M.	Place No.
			1	2	3	4	5	6			
	10-20 N 4825ND	CONDUIT, joint between boom-fin joint rib to clamp block on rib No. 8, $\frac{3}{8}$ " o/d x 24 SWG						1	L.56	LM	ECZ5
	10-20 N 4827ND	CONDUIT, joint between frame Nos. 5 and 6 and joint between boom-fin joint rib and rib No. 8, $\frac{1}{2}$ " o/d x 22 SWG						1	L.56	LM	ECZ5
	10-20 N 4821ND	CONDUIT, joint between frame Nos. 5 and 6 to joint between boom-fin joint rib and rib No. 8, $\frac{3}{8}$ " x 24 SWG						1	L.56	LM	ECZ5
	10-20 N 4817ND	CONDUIT, joint between frame Nos. 5 and 6 to joint between frame No. 7 and boom-fin joint rib, $1\frac{1}{4}$ " o/d x 24 SWG						1	L.56	LM	ECZ5
	10-20 N 6455ND	CONDUIT, joint between frame No. 7 and boom-fin joint to joint between rib Nos. 8 and 9, $1\frac{1}{4}$ " o/d x 24 SWG						1	L.56	LM	ECZ5
	10-20 N 2163ND	CONDUIT, joint between rib Nos. 8 and 9 to clamp block between rib Nos. 10 and 11, $1\frac{1}{4}$ " o/d x 24 SWG						1	L.56	LM	ECZ5
	10-20 N 1149ND	CONDUIT, lower, between frame Nos. 2 and 3, $\frac{3}{8}$ " o/d x 24 SWG						1	L.56	LM	ECZ5
	10-20 N 2169ND	CONDUIT, rib No. 11 to diaphragm, $\frac{3}{8}$ " o/d x 22 SWG						1	L.56	LM	ECZ5
		Attachments for 10-20 N 2169ND, Conduit :—									
28D/1007971	A25/3B	Bolt, 4 BA						1	—	C	
28E/14241	AS.5418/6	Clip, " P "						1	—	C	
28V/9419474	SP.15/B	Washer						1	—	C	
	—	STRIP, bonding, at clamp blocks ".015 thick (Make from Ref. No. 30B/1232) (Mod. 1326)						QR	Zinc	LM	
	—	INSTALLATION AT L.H. CONSOLE AND THROTTLE BOX (Drg. No. 10-20 N 13967)						1		—	
28E/1201809	AS.3180/6B	CLIP, " P "						1	—	C	
28E/9436728	AS.3181/4B	CLIP, " P "						1	—	C	
28E/9435723	AS.3181/8B	CLIP, " P "						4	—	C	
28E/14072	AS.3181/10B	CLIP, " P "						3	—	C	
28E/14309	AS.3181/12B	CLIP, " P "						6	—	C	
	10-20 N 4537ND	CONDUIT, $\frac{3}{4}$ " o/d x 22 SWG						1	DHA.63	LM	ECZ21
	10-20 N 5725ND	CONDUIT, $\frac{3}{8}$ " o/d x 22 SWG						1	DHA.63	LM	ECZ21
	10-20 N 5727ND	CONDUIT, $\frac{3}{8}$ " o/d x 22 SWG						1	L.56	LM	ECZ21
	10-20 N 13939ND	CONDUIT, $\frac{1}{2}$ " o/d x 22 SWG (Mod. 249)						1	L.56	LM	ECZ21
	10-20 N 13941ND	CONDUIT, $\frac{3}{8}$ " o/d x 22 SWG (Mod. 249)						1	DHA.63	LM	ECZ21
5K/2876	SP.40/A20	GROMMET						1	—	C	
28M/10287	AGS.2001/B/1	NUT, 4 BA						11	—	C	
28S/14005	A32/B14	SCREW, 4 BA						9	—	C	
28S/9992522	A32/B16	SCREW, 4 BA						1	—	C	
28S/9995376	A32/B20	SCREW, 4 BA						2	—	C	
	10-20 N 5743ND	SPACER, $\frac{1}{2}$ " x $\frac{1}{2}$ " x $\frac{1}{4}$ " thick						1	LFS.23	LM	ECZ21
5F/2279	—	STRAP, flexible, cable fastening						QR	—	C	
5F/2307	—	STUD, cable fastening						QR	—	C	
28V/9419474	SP.15/B	WASHER						11	—	C	
28V/9419486	SP.16/B	WASHER						1	—	C	
28V/9419448	AGS.2035/B	WASHER, shakeproof						1	—	C	

INSTALLATION OF CABLE CONDUITS, DUCTING AND ACCESSORIES

Ref. No.	Part No.	Description	No. off	Material Specification	Class of Store or L.M	Plate No.
	—	INSTALLATION UNDER COCKPIT FLOOR (Drg. No. 10-20N9199, 10-20N11593)	1	—	—	
	—	CLIPS, group	1	—	—	
28D/1010658	A25/1B	BOLT, 4 BA	5	—	C	
28D/1008149	A25/2B	BOLT, 4 BA	2	—	C	
28D/9436920	A25/1C	BOLT, 2 BA	2	—	C	
28E/14240	AS.5418/3	CLIP, "P"	3	—	C	
28E/14633	AS.5418/9	CLIP, "P"	3	—	C	
28E/14209	AS.5418/10	CLIP, "P"	4	—	C	
28E/15081	AS.5418/15	CLIP, "P"	2	—	C	
28E/14212	AS.5418/16	CLIP, "P"	5	—	C	
28E/16077	AS.5418/5	CLIP, "P"	1	—	C	
28E/9482116	AS.5418/6	CLIP, "P"	1	—	C	
28E/16582	AS.5418/18	CLIP, "P"	1	—	C	
28E/14636	AS.5418/24	CLIP, "P"	1	—	C	
28E/1201808	AS.1380/6C	CLIP, "P"	2	—	C	
	10-20 N 9983	CLIP, "P", 18 SWG	2	L.72	LM	
	HELLERMANN	GROMMET, flexiform, 4"71 long	1	—	LM	
	G51/HF	GROMMET, flexiform, 7"85 long	3	—	LM	
	HELLERMANN	GROMMET	2	—	C	
	G51/HF	NUT, 4 BA	1	—	C	
5K/9452961	SP.40/D10	NUT, 4 BA	2	—	C	
28M/10287	AGS.2001/B/1	NUT, 2 BA	6	—	C	
28M/10274	AGS.2001/B/4	RUBBER, Burley, 1/2" dia., with .05 slot x 3"5 long	QR	—	C	
28M/10288	AGS.2001/C/1	SCREW, 4 BA	1	—	C	
32C/	—	SCREW, 4 BA	2	—	C	
28S/9992525	AS.32/B12	SCREW, 4 BA	1	—	C	
28S/9992522	AS.32/B16	SCREW, 4 BA	1	—	C	
28S/15036	AS.32/B44	SCREW, 2 BA	2	—	C	
28S/1200047	A31/C24	STRAP, PVC, 1/2" wide, cable fastening	QR	—	C	
	HELLERMANN	STRAP, PVC, 3/8" wide cable fastening	QR	—	C	
28F/9434857	HV. 3341	STUD, nylon, 1/2" cable fastening strap	QR	—	C	
	HELLERMANN	STUD, nylon, 3/8" cable fastening strap	QR	—	C	
28F/9434858	HV.3254	TAPE, Kerosene resistant	QR	—	C	
	HELLERMANN	TUBE, distance, 3/8" o/d x 20 SWG, T.35	2	—	LM	
5F/2302	NY.3342	WASHER	9	—	C	
	HELLERMANN	WASHER	1	—	C	
5F/9138823	NY.3255	WASHER	5	—	C	
	HELLERMANN	WASHER	1	—	C	
	DHA.65	INSTALLATION AT ENGINE BAY, PORT (Drg. Nos. 10-20 N 5123 and 10-20 N 5407)	1	—	—	
	AS.2807/5/025	CLIPS, group	1	—	—	
28W/9419465	SP.13/B	BOLT, 2 BA	2	—	C	
28W/9419474	SP.15/B	BOLT, 4 BA	3	—	C	
28W/9419402	SP.13/C	CLIP, "P"	2	—	C	
28W/9419475	SP.15/C	CLIP, "P"	2	—	C	
	—	CLIP, "P" (Make from Part No. 10-20 N 13777) 22 SWG	1	S.510	LM	ECZ17
28D/11890	AS.1246/5C	CLIP, "P"	4	—	C	
28D/1010658	A25/1B	CLIP, "P," 0"375 i/d x 22 SWG (Mod. 556)	3	S.510	—	ECZ17
28E/9436947	AS.3180/4B	CLIP, "P," 0"5 i/d x 22 SWG	11	S.510	—	ECZ17
28E/1201809	AS.3180/6B	CLIP, "P," 0"56 i/d x 22 SWG (Pre Mod. 1110)	4	S.510	—	ECZ17
	10-20 N 5043	CLIP, "P," 0"56 i/d x 22 SWG (Mod. 1110)	3	S.510	LM	ECZ17
	10-20 N 5043					

ELECTRICAL INSTALLATIONS

INSTALLATION OF CABLE CONDUITS, DUCTING AND ACCESSORIES

Ref. No.	Part No.	Description						No. off	Material Specification	Class of Store or L.M	Plate No.
		1	2	3	4	5	6				
	10-20 N 5239							3	S.510		ECZ17
	10-20 N 5054							11	S.510	LM	ECZ17
	10-20 N 12825							2	S.510	LM	ECZ17
	10-20 N 6685A							1	—		ECZ17
	10-20 N 6683ND							1	L.72	LM	ECZ17
28M/10287	AGS.2001/B/1							1	—	C	
28S/9992522	A32/B16							1	—	C	
28W/9419465	SP.13/B							1	—	C	
	10-20 N 6681A							1	—		ECZ17
	10-20 N 6679ND							1	L.72	LM	ECZ17
28M/10287	AGS.2001/B/1							1	—	C	
28S/9992522	A32/B16							1	—	C	
28W/9419465	SP.13/B							1	—	C	
28M/10287	AGS.2001/B/1							1	—	C	
28M/10288	AGS.2001/C/1							5	—	C	
28S/14005	A32/B14							3	—	C	
28S/9992522	A32/B16							10	—	C	
28S/15150	A32/B18							2	—	C	
28S/9435715	A33/B16							5	—	C	
28S/1011490	A32/C16							7	—	C	
28S/9992533	A32/C20							5	—	C	
	10-20 N 5237							2	LFS.31	LM	ECZ17
28W/9419465	SP.13/B							33	—	C	
28W/9419402	SP.13/C							18	—	C	
28W/1200073	SP.23/B							7	—	C	
28W/1200071	SP.23/C							3	—	C	
	—							1	—	—	
											CLIPS, igniter high energy leads and conduit attachment group,
28E/9508716	AS.3181/7B							1	—	C	
28E/14080	AS.3181/7C							1	—	C	
28M/10288	AGS.2001/C/1							1	—	C	
28S/9992533	A32/C20							1	—	C	
28W/9419402	SP.13/C							3	—	C	
28W/1200071	SP.23/C							2	—	C	
7642	10-20 N 5209A							1	—	C	ECZ17
	10-20 N 20943A/ND							1	—	—	ECZ17
7646	10-20 N 5223ND							1	—	C	ECZ17
16861	10-20 N 20053ND							1	—	C	ECZ17
	10-20 N 13775ND							1	T.55		ECZ17
7648	10-20 N 7355ND							1	—	C	ECZ17
7644	10-20 N 5225A/ND							1	—	C	ECZ17
16860	10-20 N 20047A/ND							1	—	C	ECZ17
7645	10-20 N 5221ND							1	—	C	ECZ17
7649	10-20 N 7353ND							1	—	C	ECZ17
7647	10-20 N 7351ND							1	—	C	ECZ17

INSTALLATION OF CABLE CONDUITS, DUCTING AND ACCESSORIES

Ref. No.	Part No.	Description	No. off	Material Specification	Class of Store or LM	Plate No.
5K/—	SP.95/A24	GROMMET , cable entry at front firewall (Alternative DHS.1790/A24)	1	—	C	
5F/9434857	HELLERMANN HV.3341	STRAP , flexible, 1/2" wide, cable fastening (9330-99-943-4857)	QR	PVC	C	ECZ17
5F/2301	HELLERMANN NY.18007	STRAP , flexible, 1/2" wide, cable fastening	QR	Nylon	C	ECZ17
5F/2302	HELLERMANN NY.3342	STUD , 1/2" cable fastening strap	QR	Nylon	C	ECZ17
—	—	INSTALLATION AT ENGINE BAY, STAR-BOARD (Drg. No. 10-20 N 5152, 10-20 N 5407)	1	—	—	
28D/9710453	AS.1246/4C	CLIPS , on or adjacent to Rib "O," group	1	—	—	
28E/14207	AS.5418/4	BOLT , 2 BA	2	—	C	
28E/14633	AS.5418/9	CLIP , "P"...	1	—	C	
28E/16186	AS.5418/13	CLIP , "P"...	1	—	C	
	10-20 N 5041	CLIP , "P," 0"-5 i/d x 22 SWG	2	S.510	—	ECZ18
	10-20 N 5043	CLIP , "P," 0"-56 i/d x 22 SWG	2	S.510	—	ECZ18
	10-20 N 5045	CLIP , "P," 0"-75 i/d x 22 SWG	7	S.510	LM	ECZ18
	10-20 N 5001A	CLIP , "P," 0"-75 i/d, assembly	1	—	—	ECZ18
	10-20 N 5845ND	BRACKET , 20 SWG	1	L.72	LM	ECZ18
	10-20 N 5843ND	CLIP , bare, 20 SWG	1	L.72	LM	ECZ18
28M/9434251	AGS.2008/B/1	NUT , 4 BA, anchor	1	—	C	
28S/1008327	A32/B14	SCREW , 4 BA	1	—	C	
28VV/9419465	SP.13/B	WASHER	1	—	C	
	10-20 N 6685A	CLIP , "P," 3/8" i/d, assembly	1	—	—	ECZ18
	10-20 N 6683ND	CLIP , bare, 18 SWG	1	L.72	LM	ECZ18
28M/10287	AGS.2001/B/1	NUT , 4 BA	1	—	C	
28S/9992522	A32/B16	SCREW , 4 BA	1	—	C	
28VV/9419465	SP.13/B	WASHER	1	—	C	
	10-20 N 6681A	CLIP , "P," 1/8" i/d, assembly	1	—	—	ECZ18
	10-20 N 6679ND	CLIP , bare, 18 SWG	1	L.72	LM	ECZ18
28M/10287	AGS.2001/B/1	NUT , 4 BA	1	—	C	
28S/9992522	A32/B16	SCREW , 4 BA	1	—	C	
28VV/9419465	SP.13/B	WASHER	1	—	C	
	10-20 N 6681A	CLIP , "P," 1/8" i/d, assembly	1	—	—	ECZ18
	10-20 N 6679ND	CLIP , bare, 18 SWG	1	L.72	LM	ECZ18
28M/10287	AGS.2001/B/1	NUT , 4 BA	1	—	C	
28S/9992522	A32/B16	SCREW , 4 BA	1	—	C	
28VV/9419465	SP.13/B	WASHER	1	—	C	
28M/10287	AGS.2001/B/1	NUT , 4 BA	4	—	C	
28M/10288	AGS.2001/C/1	NUT , 2 BA	6	—	C	
28S/1008327	A32/B14	SCREW , 4 BA	2	—	C	
28S/9992522	A32/B16	SCREW , 4 BA	4	—	C	
28S/1007817	A32/B24	SCREW , 4 BA	1	—	C	
28S/1011490	A32/C16	SCREW , 2 BA	5	—	C	
28S/9992533	A32/C20	SCREW , 2 BA	2	—	C	
28S/1011492	A32/C28	SCREW , 2 BA	1	—	C	
	AS.2808/5/025	TUBE , distance, 3/8" o/d x 17 SWG x 0"-25 long	1	L.62	LM	
	AS.2808/5/040	TUBE , distance, 3/8" o/d x 17 SWG x 0"-40 long	1	L.62	LM	
28VV/9419465	SP.13/B	WASHER	11	—	C	
28VV/9419402	SP.13/C	WASHER	16	—	C	
28VV/9419474	SP.15/B	WASHER	1	—	C	
28VV/1200073	SP.23/B	WASHER	4	—	C	
28VV/1200071	SP.23/C	WASHER	3	—	C	
	—	CLIPS , igniter high energy leads and conduit attachment, group	1	—	—	
28E/14242	AS.5418/7	CLIP , "P"	19	—	C	
	10-20 N 5041	CLIP , "P," 0"-25 i/d x 22 SWG	10	S.510	LM	ECZ18
	10-20 N 20063	CLIP , "P," 1"-25 i/d x 20 SWG	2	S.510	LM	ECZ18

ELECTRICAL INSTALLATIONS

INSTALLATION OF CABLE CONDUITS, DUCTING AND ACCESSORIES

Ref. No.	Part No.	Description	No. of						Material Specification	Class of Store or LM	Plate No.
			1	2	3	4	5	6			
28M/10287	AGS.2001/B/1	NUT, 4 BA	6	—	C	ECZ18
28M/10288	AGS.2001/C/1	NUT, 2 BA	6	—	C	
28S/1008327	A32/B14	SCREW, 4 BA	2	—	C	
28S/9992522	A32/B16	SCREW, 4 BA	9	—	C	
28S/9995376	A32/B20	SCREW, 4 BA	8	—	C	
	A32/B22	SCREW, 4 BA	1	—	—	
28S/1011492	A32/C28	SCREW, 2 BA	3	—	C	
28S/1214217	A32/C36	SCREW, 2 BA	1	—	C	
	10-20 N 5237	SPACER, 0".5 × 0".5 × 0".31	3	LFS.21 or 23	LM	
	AS.2809/4/047	TUBE, distance, 1/4" o/d × 22 SWG × 0".47 long	2	L.62	LM	
28W/9419465	SP.13/B	WASHER	30	—	C	
28W/9419402	SP.13/C	WASHER	5	—	C	
28W/9419474	SP.15/B	WASHER	15	—	C	
28W/1200073	SP.23/B	WASHER, (Fit between "P" clip and structure)	15	—	C	
28W/1200071	SP.23/C	WASHER (Fit between "P" clip and structure)	1	—	C	
	10-20 N 5133A/ND	CONDUIT, cable, above forward high energy ignition on rib No. "0"	1	—	—	
	10-20 N 5127A/ND	CONDUIT, cable, adjacent to forward high energy, ignition unit on rib No. "0"	1	—	—	
12186	10-20 N 7357ND	CONDUIT, cable, below access panel at stn. 337"-88 on rib No. "0" 3/4" o/d × 28 SWG	1	—	C	
12187	10-20 N 7359ND	CONDUIT, cable, between rib No. "0" and shear panel, 3/4" o/d × 28 SWG	1	—	C	
	10-20 N 5137ND	CONDUIT, cable, between stringer No. 5 and spectacle frame, 3/4" o/d × 28 SWG	1	T.55	—	
7648	10-20 N 7355ND	CONDUIT, cable (elbow) from joint on rib No. "0" to joint on bottom shear panel, 3/4" o/d × 24 SWG	1	—	C	
	10-20 N 5143ND	CONDUIT, cable, oblique, between ribs Nos. "0" and "1," 1/2" o/d × 28 SWG	1	T.55	—	
16862	10-20 N 20059ND	CONDUIT, high energy leads, inboard, stn. 271"-60 (Mod. 913)	1	—	C	
16863	10-20 N 20061ND	CONDUIT, high energy leads, outboard, stn. 271"-60 (Mod. 913)	1	—	C	
	10-20 N 5141	FAIRLEAD, half, top of rib No. "0" ... Attachments for 10-20 N 5141, Fairlead (per pair) :-	2	LFS.23	LM	
28M/10287	AGS.2001/B/1	Nut, 4 BA	4	—	C	
28S/9995376	A32/B20	Screw, 4 BA	4	—	C	
28W/9419465	SP.13/B	Washer	8	—	C	
5K/—	SP.95/A24	GROMMET, cable entry, at front firewall (Alternative DHS.1790/A24)	1	—	C	
5K/—	SP.95/D16	GROMMET, cable entry at terminal block (Alternative DHS.1790/D16)	2	—	C	
5F/9434857	HELLERMANN HV.3341	STRAP, flexible, 1/2" wide, cable fastening (9330-99-943-4857)	QR	PVC	C	
5F/2301	HELLERMANN NY.18007	STRAP, flexible, 1/2" wide, cable fastening	QR	Nylon	C	
5F/2302	HELLERMANN NY.3342	STUD, 1/2" cable fastening	QR	Nylon	C	

INSTALLATION OF CABLE CONDUITS, DUCTING AND ACCESSORIES

Ref. No.	Part No.	Description	No. off	Material Specification	Class of Store or L.M.	Place No.
	—	INSTALLATION AT EQUIPMENT BAYS ... (Drg. Nos. 10-20 N 6875 and 10-20 N 2085)	1	—	—	
	10-20 N 6881	BLOCK , clamp, half, rear spar adjacent to rib No. 2, Port	1	LFS.21	LM	ECZ19
	10-20 N 6883	BLOCK , clamp, half, rear spar adjacent to rib No. 2, Port	1	LFS.21	LM	ECZ19
28D/9140638	A25/4B	Attachments for 10-20 N 6881 and 10-20 N 6883, Block (Per pair) :— Bolt, 4 BA	4	—	C	
	10-20 N 6885	BLOCK , clamp, half, on stringer No. 18 adjacent to rib No. 1, Port	4	LFS.21	LM	ECZ19
28D/9435711	A25/10B	Attachments for 10-20 N 6885, Block (Per pair) :—				
28M/10287	AGS.2001/B/1	Bolt, 4 BA	4	—	C	
28W/9143227	SP.14/B	Nut, 4 BA	2	—	C	
		Washer	4	—	C	
	10-20 N 5541	BLOCK , clamp, half, rear spar between rib Nos. 1 and 2, Starboard	1	LFS.21	LM	ECZ19
	10-20 N 2093	BLOCK , clamp, half, rear spar between rib Nos. 1 and 2, Starboard	1	LFS.21	LM	ECZ19
		Attachments for 10-20 N 5541 and 10-20 N 2093, Block (Per pair) :—				
28D/9140638	A25/4B	Bolt, 4 BA	4	—	C	
	10-20 S 14473A	BRACKET , angle, rear spar adjacent to rib No. 2, Starboard, assembly	1	—	—	ECZ19
28M/9434253	AGS.2007/B/1	BRACKET , bare, 20 SWG	1	L.72	LM	ECZ19
		NUT , 4 BA, anchor	1	—	C	
		Attachments for 10-20 S 14473A, Bracket :—				
28D/12947	AS.1246/½B	Bolt, 4 BA	2	—	C	
28E/14209	AS.5418/10	CLIP , "P" plain, at stringer No. 16, Port	1	—	C	
		Attachments for Ref. No. 28E/14209, Clip :—				
28S/2863	A32/B16	Screw, 4 BA	1	—	C	
28W/9419465	SP.13/B	Washer	1	—	C	
		CLIPS , Starboard bay, group	1	—	C	
28D/9435711	A25/10B	BOLT , 4 BA	2	—	C	
28E/14240	AS.5418/3	CLIP , "P,"	1	—	C	
28E/14209	AS.5418/10	CLIP , "P,"	4	—	C	
28E/14211	AS.5418/12	CLIP , "P,"	2	—	C	
28S/14005	A32/B14	SCREW , 4 BA	3	—	C	
	AS.2809/4/080	TUBE , distance, ¼" o/d × 22 SWG × 0"-8 long	2	L.62	LM	
28W/9419474	SP.15/B	WASHER ,	9	—	C	ECZ19
	10-20 N 6901ND	CONDUIT , cable, adjacent to rib No. 2, Port, ⅝" o/d × 24 SWG	1	L.56	—	ECZ19
	10-20 N 6895ND	CONDUIT , cable, between rib Nos. 1 and 2, Port ⅜" o/d × 24 SWG	1	L.56	—	ECZ19
	10-20 N 13271ND	CONDUIT , cable, between rib Nos. 1 and 2, Port, ⅜" o/d × 24 SWG	1	L.56	—	ECZ19
	10-20 N 13273ND	CONDUIT , cable, between rib Nos. 1 and 2, Port, ⅝" o/d × 24 SWG	1	L.56	—	ECZ19
	10-20 N 2087ND	CONDUIT , cable, between rib Nos. 1 and 2, Starboard, ⅝" o/d × 24 SWG	1	L.56	LM	ECZ19

ELECTRICAL INSTALLATIONS

INSTALLATION OF CABLE CONDUITS, DUCTING AND ACCESSORIES

Ref. No.	Part No.	Description						No. off	Material Specification	Class of Store or L.M.	Plate No.
		1	2	3	4	5	6				
	10-20 N 2089ND	CONDUIT , cable, between rib Nos. 1 and 2, Starboard, $\frac{3}{8}$ " o/d x 24 SWG						1	L.56	LM	ECZ19
	—	STRIP , bonding, at clamp blocks, ".015 thick (Make from Ref. No. 30B/1232) (Mod. 1326)						QR	Zinc	LM	
	—	INSTALLATION AT EXTENSION WING (Drg. Nos. 10-20 N 2279 and 11355)						1	—	—	
	10-20 N 2223A	BRACKET , mounting, cable conduit on rib No. 8, Starboard, assembly						1	—	—	ECZ1
	10-20 N 2225ND	BRACKET , bare						1	L.72	LM	ECZ1
28M/9435067	AGS.2008/C/1	NUT , anchor, 2 BA						1	—	C	
		Attachments for 10-20 N 2223A, Bracket :—									
28D/1010658	A25/1B	Bolt, 4 BA						2	—	C	
28M/10287	AGS.2001/B/1	Nut, 4 BA						2	—	C	
28W/9419465	SP.13/B	Washer						2	—	C	
	10-20 N 2209ND	CONDUIT , cable, along rib No. 8, Starboard, $\frac{3}{8}$ " o/d x 22 SWG						1	L.67	LM	ECZ1
		Attachments for 10-20 N 2209ND, Conduit :—									
28E/14209	AS.5418/10	Clip " P "						2	—	C	ECZ1
28S/1011490	A32/C16	Screw, 2 BA						2	—	C	
	10-20 N 2283ND	CONDUIT , cable, on front spar between nose rib Nos. 4B and 8, $\frac{1}{2}$ " o/d x 24 SWG						2	L.56	LM	ECZ1
	10-20 N 2009ND	CONDUIT , cable, on front spar between nose rib Nos. 11A and 13, $\frac{3}{8}$ " o/d x 24 SWG						2	L.56	LM	ECZ1
		Attachments for 10-20 N 2009ND, Conduit :—									
28E/14211	AS.5418/12	Clip " P "						3	—	C	
28M/10287	AGS.2001/B/1	Nut, 4 BA						3	—	C	
28S/9992525	A32/B12	Screw, 4 BA						3	—	C	
28W/9419474	SP.15/B	Washer						3	—	C	
	10-20 N 2071ND	CONDUIT , cable, on front spar, between nose rib Nos. 9 and 11A, Port, $\frac{3}{8}$ " o/d x 24 SWG						1	L.56	LM	ECZ1
	10-20 N 2072ND	CONDUIT , cable, on front spar, between nose rib Nos. 9 and 11A, Starboard, $\frac{3}{8}$ " o/d x 24 SWG						1	L.56	LM	ECZ1
		Attachments for 10-20 N 2071ND or 10-20 N 2072ND, Conduit :—									
28E/14211	AS.5418/12	Clip, " P "						4	—	C	
28M/10287	AGS.2001/B/1	Nut, 4 BA						4	—	C	
28S/9992525	A32/B12	Screw, 4 BA						4	—	C	
28W/9419474	SP.15/B	Washer						4	—	C	
	—	DUCT , cable, front star. group						1	—	—	
26DV/9944	AS.4805	CAPPING , cable duct						QR	Bakelite	C	ECZ1
26DV/11627	AS.4822	CLIP , spring						20	—	C	ECZ1
26DV/11323	AS.4801	DUCT , cable						QR	Asbestos	C	ECZ1
28M/10287	AGS.2001/B/1	NUT , 4 BA						20	—	C	
28S/1007469	A33/B14	SCREW , 4 BA						20	—	C	
26DV/11963	AS.4821	SPACER						20	LPS.36	C	ECZ1
	—	DUCT , cable, rib No. 8, Port. group						1	—	—	
26DL/5465	AS.4806	CAPPING , cable duct						QR	Bakelite	C	ECZ1
26DL/5467	AS.4808	CAPPING , cable duct						QR	Bakelite	C	ECZ1
26DL/6085	AS.4823	CLIP , spring						2	—	C	ECZ1

INSTALLATION OF CABLE CONDUITS, DUCTING AND ACCESSORIES

Ref. No.	Part No.	Description	No. off	Material Specification	Class of Store or L.M	Plate No.
26DV/11962	AS.4825	CLIP, spring	4	—	C	ECZ1
26DL/5468	AS.4802	DUCT, cable	QR	Asbestos	C	ECZ1
26DL/5470	AS.4804	DUCT, cable	QR	Asbestos	C	ECZ1
	AS.4812	PACKING-PIECE	6	—	—	ECZ1
28S/6775	PARKER KALON	SCREW, No. 4 × ½" Type Z, countersunk...	6	—	C	
26DV/11963	AS.4821	SPACER	6	LPS.36	C	ECZ1
	—	DUCT, cable rib No. 8. Starboard, group	1	—	—	
26DV/9944	AS.4805	CAPPING, cable duct	QR	Bakelite	C	ECZ1
26DL/5467	AS.4808	CAPPING, cable duct	QR	Bakelite	C	ECZ1
26DV/11627	AS.4822	CLIP, spring	2	—	C	EAZ1
26DV/11962	AS.4825	CLIP, spring	4	—	C	ECZ1
26DV/11323	AS.4801	DUCT, cable	QR	Asbestos	C	ECZ1
26DL/5470	AS.4804	DUCT, cable	QR	Asbestos	C	ECZ1
	AS.4812	PACKING PIECE	6	—	—	ECZ1
28S/6775	PARKER KALON	SCREW, No. 4 × ½", Type Z, countersunk	6	—	C	
26DV/11963	AS.4821	SPACER	6	LPS.36	C	ECZ1
	—	INSTALLATION AT FRONT SPAR	1	—	—	
		(Drg. Nos. 10-20 N 7959, 10-20 N 11717, 10-20 N 13827 and 10-20 N 13829)				
	10-20 N 6103	BLOCK, clamp, lower half, forward face of front spar	4	LFS.23	LM	ECZ11
	10-20 N 6101	BLOCK, clamp, upper half, forward face of front spar	4	LFS.23	LM	ECZ11
		Attachments for 10-20 N 6103 and 10-20 N 6101. Blocks (Per pair) :—				
28D/12533	A25/5C	Bolt, 2 BA	2	—	C	
28D/9140648	A25/19C	Bolt, 2 BA	2	—	C	
28M/10288	AGS.2001/C/1	Nut, 2 BA	4	—	C	
28W/9419402	SP13/C	Washer	4	—	C	
28E/9996125	AS.5418/8	CLIP, "P"	3	—	C	
		Attachments for AS.5418/8. Clip :—				
28D/12512	A25/1C	Bolt, 2 BA	1	—	C	
28W/9419402	SP.13/C	Washer	1	—	C	
	10-20 N 6827	CLIP, "P," 0"-435 i/d × 18 SWG (Pre Mod. 358)	2	L.72	LM	ECZ11
	10-20 N 7331	CLIP, "P," securing cables above engine air intake, Port 1"-8 i/d × 18 SWG	3	L.72	LM	ECZ11
	10-20 N 13953	CLIP, "P," securing cables above engine air intake, Starboard 2"-25 i/d × 18 SWG (Pre Mod. 963)	2	L.72	LM	FCZ11
	10-20 N 15201	CLIP, "P," securing cables above engine air intake Starboard 2"-0 i/d × 18 SWG (Mod. 963)	2	L.72	LM	ECZ11
		Attachments for 10-20 N 7331, 10-20 N 13953 or 10-20 N 15201, Clip :—				
28W/9419404	10-20 N 11159ND SP.16/C	Spacer, ½" o/d × ½" long (Drilled No. 11)	1	LFB.82	LM	ECZ11
		Washer	1	—	C	
	10-20 N 8945	CLIP, saddle, 18 SWG	1	L.72	LM	ECZ11
	10-20 N 10345	CLIP, saddle, 18 SWG	1	L.72	LM	ECZ11
		Attachments for 10-20 N 8945 or 10-20 N 10345, Clip :—				
28D/9436920	A25/1C	Bolt, 2 BA	2	—	C	
28W/9419402	SP.13/C	Washer	2	—	C	

ELECTRICAL INSTALLATIONS

INSTALLATION OF CABLE CONDUITS, DUCTING AND ACCESSORIES

Ref. No.	Part No.	Description	No. off	Material Specification	Class of Score or L.M.	Plate No.
	10-20 N 2269ND	CONDUIT , cable, between rib Nos. 2 and 3, top boom, Starboard, $\frac{5}{8}$ " o/d x 24 SWG x 16"-0 long	1	L.56	LM	ECZ11
28D/1010658	A25/1B	Attachments for 10-20 N 2269ND, Conduit :—				
28E/14209	AS.5418/10	Bolt, 4 BA	2	—	C	
28V/9419465	SP.13/B	Clip, "P"	2	—	C	
		Washer	2	—	C	
	10-20 N 2267ND	CONDUIT , cable, between rib Nos. 2 and 3, top boom, Starboard, $\frac{5}{8}$ " o/d x 24 SWG x 15"-0	1	L.56	LM	ECZ1
		Attachments for 10-20 N 2267ND, Conduit :—				
28E/14209	AS.5418/10	Clip, "P"	2	—	C	
28S/2863	A32/B16	Screw, 4 BA	2	—	C	
28V/9419465	SP.13/B	Washer	2	—	C	
	10-20 N 2267ND	CONDUIT , cable, outboard of rib No.2, Starboard, $\frac{5}{8}$ " o/d x 24 SWG x 15" long	1	L.56	LM	ECZ11
		Attachments for 10-20 N 2267ND, Conduit :—				
28E/14209	AS.5418/10	Clip, "P"	2	—	C	
28S/9992522	A32/B16	Screw, 4 BA	2	—	C	
28V/9419465	SP.13/B	Washer	2	—	C	
	10-20 DN 2269N	CONDUIT , cable, inboard of rib No. 3A, Starboard, $\frac{5}{8}$ " o/d x 24 SWG x 16" long	1	L.56	LM	ECZ11
		Attachments for 10-20 N 2269ND, Conduit :—				
28D/1010658	A25/1B	Bolt, 4 BA	2	—	C	
28E/14209	AS.5418/10	Clip, "P"	2	—	C	
28V/9419465	SP.13/B	Washer	2	—	C	
12223	10-20 N 6499	CONDUIT , cable, lower, forward face of front spar	3	L.56	C	ECZ11
12925	10-20 N 6497	CONDUIT , cable, upper, forward face of front spar	3	L.56	C	ECZ11
	—	DUCT , cable, centre, between ribs Nos. 2 and 3B, Port, group	1	—	—	
26DV/9944	AS.4805/13	CAPPING , cable duct	1	DHA.362	C	
16279	10-20 N 13365	DUCT , cable	1	DHA.362	C	ECZ11
28S/9435717	A33/C20	SCREW , 2 BA	2	—	C	
	—	DUCT , cable, upper, between ribs Nos. 2 and 3B, Port, group	1	—	—	
26DV/9944	AS.4805/13	CAPPING , cable duct	1	DHA.362	C	
16280	10-20 N 13387	DUCT , cable	1	DHA.362	C	ECZ11
28S/9435717	A33/C20	SCREW , 2 BA	2	—	C	
	—	DUCT , cable, lower, between ribs Nos. 2 and 3B, group	1	—	—	
26DV/9944	AS.4805/24	CAPPING , cable duct	1	—	C	
26DV/11627	AS.4822	CLIP , spring	3	—	C	
	10-20 N 7963ND	DUCT , cable (Make from AS.4798/25)	1	—	LM	ECZ11
28S/1007469	A33/B14	SCREW , 4 BA	3	—	C	
26DV/11963	AS.4821	SPACER	3	LPS.36	C	

ELECTRICAL INSTALLATIONS

INSTALLATION OF CABLE CONDUITS, DUCTING AND ACCESSORIES

Ref. No.	Part No.	Description	No. off						Material Specification	Class of Store or L.M.	Place No.
			1	2	3	4	5	6			
	—	DUCT , cable, lower, outboard of rib No. 2, Starboard, group						1	—	—	
26DV/9944	AS.4805/84	CAPPING , cable duct						1	—	C	
26DV/11627	AS.4822	CLIP , spring						3	—	C	
	10-20 N 7964ND	DUCT , cable (Make from AS.4798/25) ...						1	—	LM	ECZ1
28S/1007469	A33/B14	SCREW , 4 BA						3	—	C	
26DV/11963	AS.4821	SPACER						3	LPS.36	C	
	—	DUCT , cable, upper, outboard of rib No. 2, Starboard, group						1	—	—	
26DV/9944	AS.4805/13	CAPPING , cable duct						1	DHA.362	C	
16281	10-20 N 13366	DUCT , cable						1	DHA.362	C	ECZ11
28S/9435717	A33/C20	SCREW , 2 BA						2	—	C	
	—	DUCT , cable, upper, inboard of rib No. 3A, Starboard, group						1	—	—	
26DV/9944	AS.4805/13	CAPPING , cable duct						1	DHA.362	C	
16282	10-20 N 13815	DUCT , cable						1	DHA.362	C	ECZ11
28S/9435717	A33/C20	SCREW , 2 BA						2	—	C	
	—	DUCT , upper cable, group						1	—	—	
26DV/9944	AS.4805	CAPPING , cable duct						QR	Bakelite	C	
12199	10-20 N 7961	DUCT , cable						2	Fibreglass	C	ECZ11
28S/9435717	A33/C20	SCREW , 2 BA						4	—	C	
	—	DUCT , lower cable, group						1	—	—	
26DV/9944	AS.4805	CAPPING , cable duct						QR	Bakelite	C	ECZ11
	10-20 N 7963ND	DUCT , cable, Port (Make from A.M. Ref. No. 26DL/6063)						1	Asbestos	LM	ECZ11
	10-20 N 7964ND	DUCT , cable, Starboard (Make from A.M. Ref. No. 26DL/6063)						1	Asbestos	LM	ECZ11
28S/1007469	A33/B14	SCREW , 4 BA						6	—	C	
26DV/11963	AS.4821	SPACER						6	LPS.36	C	ECZ11
12224	10-20 N 9791A	SHIELD , cable, front face of front spar, assembly Spares for —						1	—	C	ECZ11
28M/11957	AGS.2007/C/1	NUT , 2 BA, anchor						1	—	C	
	10-20 N 9813ND	STRIP , rubber, 1/4" o/d x 3"·30 long (Make from Ref. No. 32C/600)						1	—	LM	ECZ11
	10-20 N 9815ND	STRIP , rubber, 1/4" o/d x 4"·75 long (Make from Ref. No. 32C/600)						1	—	LM	ECZ11
	10-20 N 9789ND	STRIP , rubber, 1/4" o/d x 7"·1 long (Make from Ref. No. 32C/600)						1	—	LM	ECZ11
SF/9434858	HELLERMANN HV.3254	STRAP , flexible, 1/16" wide, cable fastening						QR	P.V.C.	C	ECZ11
SF/9434857	HELLERMANN HV.3341	STRAP , flexible, 1/8" wide, cable fastening ...						QR	P.V.C.	C	ECZ11
	—	STRIP , bonding, at clamp blocks, .015 thick (Make from Ref. No. 30B/1232 (Mod. 1326)						QR	Zinc	LM	
	10-20 N 12169ND	STRIP , rubber, nose rib No. 2, 1/4" dia. x 9"·0 long (Make from Ref. No. 32C/600)						2	—	LM	ECZ11
	10-20 N 6945ND	STRIP , rubber, rib No. 0A, 1/4" dia. x 2"·6 long (Make from Ref. No. 32C/600)						2	—	LM	ECZ11
SF/9138823	HELLERMANN NY.3255	STUD , 1/8" cable fastening strap						QR	Nylon	C	ECZ11
SF/2302	HELLERMANN NY.3342	STUD , 1/8" cable fastening strap						QR	Nylon	C	ECZ11
32B/—	—	TAPE , lasso fibre adhesive						QR	—	C	

ELECTRICAL INSTALLATIONS

INSTALLATION OF CABLE CONDUITS, DUCTING AND ACCESSORIES

Ref. No.	Part No.	Description	No. off	Material Specification	Class of Score or L/M	Place No.
	—	INSTALLATION AT FUSELAGE (Drg. Nos. 10-20 N 13463, 10-20 N 11427, 10-20 N 8129, 10-20 N 9465, and 10-20 N 10635)	1	—	—	
	—	CONDUITS , ducting and accessories at Port side, group	1	—	—	
	10-20 N 9047	ANGLE-PIECE at station 131", 18 SWG ...	1	L.72	LM	ECZ7
28M/10287	AGS.2001/B/1	Attachments for 10-20 N 9047, Angle-piece :—				
28S/14005	A32/B14	Nut	2	—	C	
28W/9419465	SP.13/B	Screw	2	—	C	
		Washer	4	—	C	
13891	10-20 N 11409A	BRACKET , cable duct mounting at station 148", assembly Spares for :—	1	—	P	ECZ7
	10-20 FS 10595A	BRACKET , angle, assembly	1	—	—	ECZ7
	10-20 FS 10593ND	BRACKET , bare, 18 SWG	1	L.72	LM	ECZ7
28M/8904	AGS.2012/B/11	NUT , 4 BA, anchor	1	—	C	
28M/9434253	AGS.2007/B/1	NUT , 4 BA, anchor	6	—	C	
28M/8904	AGS.2012/B/11	NUT , 4 BA, anchor	1	—	C	
		Attachments for 10-20 N 11409A, Bracket :—				
28D/9140202	AS.1246/1C	Bolt, 2 BA	3	—	C	
28W/9419475	SP.15/C	Washer	3	—	C	
	10-20 N 5009A	BRACKET , cable duct mounting on Pilot's floor, assembly	1	—	—	ECZ8
	10-20 N 5007ND	BRACKET , bare, 20 SWG	1	L.72	LM	ECZ8
28M/11957	AGS.2007/C/1	NUT , 2 BA, anchor	1	—	C	
28M/12421	AGS.2018/C/1	NUT , 2 BA, anchor	1	—	C	
		Attachments for 10-20 N 5009A, Bracket :—				
28D/9137409	AS.1246/2C	Bolt, 2 BA	3	—	C	
28W/9419475	SP.15/C	Washer	3	—	C	
12215	10-20 N 8255A	BRACKET , duct rack at L.H. console, assembly	1	—	C	ECZ8
	10-20 N 8247	BRACKET , support duct, 18 SWG	4	L.72	LM	ECZ8
	10-20 N 8249	BRACKET , support duct, 18 SWG	4	L.72	LM	ECZ8
		Attachments for 10-20 N 8255A, Bracket :—				
28D/9140202	AS.1246/1C	Bolt, 2 BA	2	—	C	
28W/9419404	SP.16/C	Washer	2	—	C	
	10-20 N 8107A	CHANNEL , support, cable duct No. 19, assembly	1	—	—	ECZ7
	10-20 N 8109ND	CHANNEL , bare, 20 SWG	1	L.72	LM	ECZ7
28M/9434253	AGS.2007/B/1	NUT , 4 BA, anchor	3	—	C	
		Attachments for 10-20 N 78107A, Channel :—				
28S/9992522	A32/B16	Screw, 4 BA	2	—	C	
28W/9419465	SP.13/B	Washer	2	—	C	

ELECTRICAL INSTALLATIONS

INSTALLATION OF CABLE CONDUITS, DUCTING AND ACCESSORIES

Ref. No.	Part No.	Description	No. off	Material Specification	Class of Store or L.M	Plate No.
		CLIP, cable fastening, group	1	—	—	
28D/1010658	A25/1B	BOLT, 4 BA	3	—	C	
28D/1007979	AS.1246/1B	BOLT, 4 BA	1	—	C	
28E/9129562	AGS.605 Mk. 3	CLIP, hose	1	—	C	
28E/16077	AS.5418/5	CLIP, "P"	1	—	C	
28E/9996125	AS.5418/8	CLIP, "P"	2	—	C	
28E/14209	AS.5418/10	CLIP, "P"	16	—	C	
28E/14211	AS.5418/12	CLIP, "P"	2	—	C	
28S/9436947	AS.3180/4B	CLIP, "P," rubber covered	2	—	C	
28E/1201809	AS.3180/6B	CLIP, "P," rubber covered	2	—	C	
28E/9600883	AS.3180/9B	CLIP, "P," rubber covered	2	—	C	
28E/14043	AS.3180/10B	CLIP, "P," rubber covered	3	—	C	
28E/14049	AS.3180/16B	CLIP, "P," rubber covered	3	—	C	
28E/9450597	AS.3180/16C	CLIP, "P," rubber covered	2	—	C	
	10-20 N 5205A	CLIP, "P," 1"-06 i/d, assembly	2	—	—	ECZ7
	10-20 N 5203ND	CLIP, bare, 20 SWG	1	L.16	LM	ECZ7
6381	DHS.181/9	TUBING, protective, 9 m/m, i/d	QR	PVC	C	ECZ7
	10-20 N 6957A	CLIP, "P," 1"-25 i/d, assembly	1	—	—	ECZ7
	10-20 N 6955ND	CLIP, bare, 22 SWG	1	L.72	LM	ECZ7
6381	DHS.181/9	TUBING, protective, 9 m/m, i/d	QR	PPC	C	ECZ7
	10-20 N 11503A	CLIP, "P," 1"-55 i/d, assembly	1	—	—	ECZ7
	10-20 N 11501ND	CLIP, bare, 20 SWG	1	L.16	LM	ECZ7
14369	DHS.181/11	TUBING, protective	QR	PVC	C	ECZ7
	DHS.31/33	CLIP, tubular, 24 SWG	1	BS.265	LM	ECZ7
28M/10287	AGS.2001/B/1	NUT, 4 BA	8	—	C	
28M/10327	AGS.2002/B/1	NUT, 4 BA	2	—	C	
28M/10288	AGS.2001/C/1	NUT, 2 BA	1	—	C	
28S/14005	A32/B14	SCREW, 4 BA	11	—	C	
28S/9992522	A32/B16	SCREW, 4 BA	5	—	C	
28S/1007469	A33/B14	SCREW, 4 BA	1	—	C	
28S/13742	A32/C14	SCREW, 2 BA	4	—	C	
28S/13742	A32/C16	SCREW, 2 BA	2	—	C	
28S/9992533	A32/C20	SCREW, 2 BA	2	—	C	
28S/9435718	A33/C24	SCREW, 2 BA	7	—	C	
28W/9419401	SP.10/B	WASHER	18	—	C	
28W/9419465	SP.13/B	WASHER	3	—	C	
28W/9419474	SP.15/B	WASHER	18	—	C	
28W/9419454	SP.10/C	WASHER	10	—	C	
28W/9419475	SP.15/C	WASHER	3	—	C	
		CONDUIT, cable and bung "Q10," group	1	—	—	
12219	10-20 N 6623ND	CONDUIT, adjacent to station 131"	1	L.56	C	ECZ7
		Attachments for 10-20 N 6623ND, Conduit:—				
28D/1011013	A25/13B	Bolt, 4 BA	1	—	C	
	AS.2810/4/115	Tube, distance, 1" o/d x 20 SWG x 1"-15 long	1	L.62	LM	
	10-20 N 5429ND	CONDUIT, lower, 3/8" o/d x 22 SWG	1	L.56	LM	ECZ7
	10-20 N 5431ND	CONDUIT, lower, 3/8" o/d x 22 SWG	1	L.56	LM	ECZ7
	10-20 N 6621ND	CONDUIT, top decking, adjacent to stations 154" and 167", 1/2" o/d x 22 SWG	1	L.56	LM	ECZ8
16408	10-20 N 13627ND	CONDUIT, top decking, between stations 120" and 148", 3/8" o/d x 22 SWG	1	L.56	C	ECZ8
	10-20 N 12121ND	CONDUIT, top decking, between stations 148" and 167", 3/8" o/d x 22 SWG	1	L.56	LM	ECZ7
	10-20 N 12123ND	CONDUIT, top decking, between stations 148" and 167", 3/8" o/d x 22 SWG	1	L.56	LM	ECZ7

ELECTRICAL INSTALLATIONS

INSTALLATION OF CABLE CONDUITS, DUCTING AND ACCESSORIES

Ref. No.	Part No.	Description						No. off	Material Specification	Class of Store or L.M.	Plate No.
		1	2	3	4	5	6				
	10-20 N 5425ND							1	L.56	LM	ECZ7
	10-20 N 5427ND							1	L.56	LM	ECZ7
5X/6881	HELLERMANN 4655							1	—	C	
5X/6659	HELLERMANN HV.3435							1	—	C	
	HELLERMANN PC.14006							1	—	—	
5X/3146	PLESSEY Z.49397							1	—	C	
5X/3148	PLESSEY Z.49428							13	—	C	
5X/6094	PLESSEY CZ.27918							1	—	C	
6380	DHS.181/4							QR	PVC	C	
6381	DHS.181/9							QR	PVC	C	
	—							1	—	—	
26DV/9944	AS.4805							QR	Bakelite	C	
	AS.4799							17	—	—	
	—							1	—	—	
	10-20 N 8259							3	LFS.23	LM	ECZ8
12216	10-20 N 8257							3	Fibreglass	C	ECZ8
28S/15243	AS.2992/5B							6	—	C	
	10-20 N 8111							1	Asbestos	LM	ECZ7
	10-20 N 8121							1	Asbestos	LM	ECZ7
	10-20 N 8113							1	Asbestos	LM	ECZ7
	10-20 N 8123							1	Asbestos	LM	ECZ7
	10-20 N 8115							1	Asbestos	LM	ECZ7
	10-20 N 8125							1	Asbestos	LM	ECZ7
	10-20 N 8117							1	Asbestos	LM	ECZ7
	10-20 N 8127							1	Asbestos	LM	ECZ7
	10-20 N 8119							1	Asbestos	LM	ECZ7
	—							1	—	—	
28D/1007319	AS.1242/4B							3	—	C	
26DV/9944	AS.4805							QR	Bakelite	C	ECZ8
9790	10-20 N 9737							1	Fibreglass	C	ECZ8
	—							1	—	—	
4463	10-20 N 5305							1	LFS.23	C	ECZ8
4464	10-20 N 5055							1	Fibreglass	C	ECZ8
28S/1010635	AS.2996/7C							2	—	C	
	—							1	—	—	
28D/11255	AS.1246/2C							2	—	C	
28D/16017	AS.4598/3C							2	—	C	
9788	10-20 N 9817							1	Fibreglass	C	ECZ8
28W/9419454	SP.10/C							1	—	C	
28W/9419404	SP.16/C							2	—	C	

ELECTRICAL INSTALLATIONS

INSTALLATION OF CABLE CONDUITS, DUCTING AND ACCESSORIES

Ref. No.	Part No.	Description	No. off						Material Specification	Class of Store or L.M	Plate No.
			1	2	3	4	5	6			
		DUCT , No. 20, group						1	—	—	
17265	10-20 N 20725	CAPPING , cable duct (Mod. 335)						1	LFS.23	C	ECZ9
17264	10-20 N 20707	DUCT , cable (Mod. 335)						1	Fibreglass	C	ECZ9
28S/1200066	A33/B20	SCREW , 4 BA						2	—	C	
		DUCT , No. 22, group						1	—	—	
28D/8338	AS.1248/3B	BOLT , 4 BA						2	—	C	
17263	10-20 N 20705	CAPPING , cable duct (Mod. 335)						1	LFS.23	C	ECZ9
17262	10-20 N 20719	DUCT , cable (Mod. 335)						1	Fibreglass	C	ECZ9
28M/10287	AGS.2001/B/1	NUT , 4 BA						4	—	C	
28S/1200066	A33/B20	SCREW , 4 BA						4	—	C	
		DUCT , No. 28, group						1	—	—	
16288	10-20 N 13423	CAPPING , cable duct						1	LFS.23	C	ECZ8
16287	10-20 N 13421A	DUCT , cable						1	Fibreglass	C	ECZ8
28S/13320	AS.2996/7C	SCREW , 2 BA						2	—	C	
		DUCT , upper, between stations 131" and 148", group						1	—	—	
28D/8337	AS.1248/1B	BOLT , 4 BA						4	—	C	
28D/9744	AS.1248/2B	BOLT , 4 BA						3	—	C	
26DV/9944	AS.4805	CAPPING , cable duct						QR	Bakelite	C	ECZ7
	10-20 R 2483	COVER , duct						1	LFS.26	LM	ECZ7
13432	10-20 R 2477A	DUCT , assembly						1	—	C	ECZ7
	DHS.1058/2	BOLT , 4 BA, assembly						4	—	LM	ECZ7
	DHS.1057/B	BOLT , 4 BA						1	S.92	—	ECZ7
	DHS.858/B	PLATE , anchor						1	S.511	—	ECZ7
28M/9434253	AGS.2007/B/1	NUT , 4 BA, anchor						3	—	C	
32B/—	—	TAPE , fibreglass						QR	—	C	
28M/1013165	AGS.113/B	NUT , wing, 4 BA						4	—	C	
28VV/9419401	SP.10/B	WASHER						4	—	C	
28VV/9419465	SP.13/B	WASHER						3	—	C	
28VV/9128182	SP.55/B	WASHER						4	—	C	
26DL/6063	AS.4798	DUCT , cable						QR	Asbestos	C	
	AS.4809	PACKING-PIECE						12	—	—	
28S/1007469	A33/B14	SCREW , 4 BA						3	—	C	
28S/9435715	A33/B16	SCREW , 4 BA						14	—	C	
26DV/11963	AS.4821	SPACER						12	LPS.36	C	
	DHS.364	TAG , marker						6	—	LM	ECZ7
32B/—	—	TAPE , lasso fibre adhesive						QR	—	C	
SK/2866	SP.40/A10	GROMMET , cable entry						1	—	C	
	10-20 N 4701	PLATE , mounting, duct Nos. 7, 8, 9 and 10, forward, 18 SWG						4	L.72	LM	ECZ7
		Attachments for 10-20 N 4701, Plate :—									
28D/8337	AS.1248/1B	Bolt , 4 BA						1	—	C	
5F/2279	HELLERMANN HV.3254	STRAP , flexible, $\frac{5}{16}$ " wide, cable fastening						QR	—	C	ECZ8
	HELLERMANN										
5F/2280	NY.3255	STUD , $\frac{5}{16}$ " cable fastening strap						QR	—	C	ECZ8
17261	10-20 N 20711A	SUPPORT , duct No. 22 (Mod. 335)						1	—	C	ECZ9
		Attachments for 10-20 N 20711A, Support :—									
28M/10287	AGS.2001/B/1	Nut , 4 BA						2	—	C	
28S/9992525	A32/B12	Screw , 4 BA						2	—	C	
		DUCTING , and accessories at front pressure bulk-head, group						1	—	—	
		CLIPS , cable fastening, group						1	—	—	
28D/9436920	A25/1C	BOLT , 2 BA						1	—	C	
28D/1010658	A25/1B	BOLT , 4 BA						1	—	C	

ELECTRICAL INSTALLATIONS

INSTALLATION OF CABLE CONDUITS, DUCTING AND ACCESSORIES

Ref. No.	Part No.	Description	No. off	Material Specification	Class of Store or L.M.	Plate No.
28E/9436819	AS.3180/3B	CLIP, "P," rubber covered	1	—	C	
28E/9436947	AS.3180/4B	CLIP, "P," rubber covered	5	—	C	
28E/14038	AS.3180/5B	CLIP, "P," rubber covered	1	—	C	
28E/9000882	AS.3180/7B	CLIP, "P," rubber covered	2	—	C	
28E/14041	AS.3180/8B	CLIP, "P," rubber covered	1	—	C	
28E/1006377	AS.3180/12B	CLIP, "P," rubber covered	1	—	C	
28E/1006260	AS.3180/13B	CLIP, "P," rubber covered	1	—	C	
28E/14307	AS.3180/20B	CLIP, "P," rubber covered	2	—	C	
28E/1200549	AS.3180/8C	CLIP, "P," rubber covered	2	—	C	
28E/9144901	AS.3180/10C	CLIP, "P," rubber covered	2	—	C	
28E/1200550	AS.3180/12C	CLIP, "P," rubber covered	1	—	C	
28E/9450597	AS.3180/16C	CLIP, "P," rubber covered	1	—	C	
28E/9450598	AS.3180/20C	CLIP, "P," rubber covered	5	—	C	
28M/10287	AGS.2001/B/1	NUT, 4 BA	1	—	C	
28M/10288	AGS.2001/C/1	NUT, 2 BA	1	—	C	
28S/9992522	A32/B16	SCREW, 4 BA	7	—	C	
28S/9995376	A32/B20	SCREW, 4 BA	2	—	C	
28S/13637	A44/B14	SCREW, 4 BA	1	—	C	
28VV/9419465	SP.13/B	WASHER	11	—	C	
28VV/9419402	SP.13/C	WASHER	1	—	C	
28VV/9437455	SP.25/B	WASHER	1	—	C	
	—	DUCT, No. 12, group	1	—	—	
	10-20 N 9275	CAPPING, cable duct	1	LFS.21	LM	ECZ8
9792	10-20 N 9273	DUCT, cable	1	Fibreglass	C	ECZ8
28S/2887	A33/B32	SCREW, 4 BA	3	—	C	
5K/2877	SP.40/A8	GROMMET, cable entry	1	—	C	
5F/2281	HELLERMANN HV.3341	STRAP, flexible, 1/2" wide, cable fastening	QR	PVC	C	ECZ8
5F/2279	HELLERMANN HV.3254	STRAP, flexible, 3/8" wide, cable fastening	QR	PVC	C	ECZ8
5F/2302	HELLERMANN NY.3342	STUD, 1/2" cable fastening strap	QR	Nylon	C	ECZ8
5F/2280	HELLERMANN NY.3255	STUD, 3/8" cable fastening strap	QR	Nylon	C	ECZ8
	—	DUCTING and accessories at rear pressure bulk-head, group	1	—	—	
	—	BUNG, pressure, No. 11, group	1	—	—	
5X/7206	HELLERMANN SR.3836	BUNG, pressure	1	—	C	ECZ9
5X/7263	HELLERMANN 4402/2C	NUT, castellated	1	—	C	ECZ9
5X/7241	HELLERMANN PC.14004	PLUG, filler	36	—	C	ECZ9
5X/7258	HELLERMANN 4402/3	WASHER	1	—	C	ECZ9
	10-20 N 6949A	CLIP, cable securing, assembly	5	—	—	ECZ9
	10-20 N 6947ND	CLIP, bare, 20 SWG	1	L.72	LM	ECZ9
13115	DHS.181/B	TUBING, protective, 8 m/m, i/d	QR	PVC	C	ECZ9
	—	Attachments for 10-20 N 6949A, Clip :-				
28S/9992522	A32/B16	Screw, 4 BA	8	—	C	
28S/9995376	A32/B20	Screw, 4 BA	2	—	C	
28VV/9419465	SP.13/B	Washer	10	—	C	
	—	DUCT, centre vertical, L.H., group	1	—	—	
26DL/5465	AS.4806	CAPPING, cable duct	QR	Bakelite	C	
	AS.4823	CLIP, spring	2	—	—	
26DL/5468	AS.4802	DUCT, cable	QR	Asbestos	C	
28S/9435715	A33/B16	SCREW, 4 BA	2	—	C	
26DV/11963	AS.4821	SPACER	2	LPS.36	C	

INSTALLATION OF CABLE CONDUITS, DUCTING AND ACCESSORIES

Ref. No.	Part No.	Description	No. off						Material Specification	Class of Store or L.M.	Plate No.
			1	2	3	4	5	6			
26DV/9944	—	DUCT , centre vertical, R.H., group (Mod. 2)						1	—	—	
	AS.4805	CAPPING , cable duct						QR	—	C	
	AS.4799	CLIP , spring						2	—	C	
	AS.4798	DUCT , cable						QR	Asbestos	C	
	AS.4809	PACKING-PIECE						2	—	—	
28S/9435715	A33/B16	SCREW , 4 BA						2	—	C	
26DV/11963	AS.4821	SPACER						2	—	C	
26DV/9944	—	DUCT , lower transverse, L.H., group						1	—	—	
	AS.4805	CAPPING , cable duct						QR	—	C	ECZ9
	AS.4799	CLIP , spring						2	—	—	
	10-20 N 11373ND	DUCT , cable (Make from Ref. No. 26DL/5468)						1	Asbestos	LM	ECZ9
28S/9435715	A33/B16	SCREW , 4 BA						2	—	C	
26DV/11963	AS.4821	SPACER						2	—	C	
26DV/9944	AS.4805	DUCT , lower transverse, R.H., group						1	—	—	
	AS.4799	CAPPING , cable duct						QR	—	C	ECZ9
	10-20 N 11371ND	CLIP , spring						3	—	—	
		DUCT , cable (Make from Ref. No. 26DL/5468)						1	Asbestos	LM	ECZ9
28S/9435715	A33/B16	SCREW , 4 BA						3	—	C	
26DV/11963	AS.4821	SPACER						3	—	C	
26DV/9944	AS.4805	DUCT , No. 23, group						1	—	—	
	AS.4799	CAPPING , cable duct						QR	—	C	ECZ9
26DL/6063	AS.4798	CLIP , spring						3	—	—	
28S/1200066	A33/B20	DUCT , cable						QR	—	C	ECZ9
26DV/11963	AS.4821	SCREW , 4 BA						3	—	C	
	DHS.364	SPACER						5	—	C	
		TAG , marker						1	—	LM	ECZ9
26DV/9944	AS.4805	DUCT , upper oblique, group						1	—	—	
	12855	CAPPING , cable duct						QR	—	C	ECZ9
	10-20 N 12105	DUCT , cable						1	—	C	ECZ9
28S/1010635	AS.2996/7C	SCREW , 2 BA						1	—	C	
28S/17112	AS.2996/8C	SCREW , 2 BA						1	—	C	
		DUCTING and accessories, Starboard side, group						1	—	—	
28E/1009753	AS.3180/3C	CLIP , cable fastening, group						1	—	—	
	DHS.86 Mk. 8	CLIP , "P," rubber covered						1	—	C	
	AGS.2001/B/1	CLIP , pipe, 20 SWG						2	L.72	—	ECZ10
28M/10287	A32/B14	NUT , 4 BA						2	—	C	
28S/14005	SP.15/B	SCREW , 4 BA						4	—	C	
28W/9419474	—	WASHER						2	—	C	
	15715	DUCT , No. 2, group						1	—	—	
	15713	CAPPING , cable duct						1	—	C	ECZ10
28S/—	AS.2996/9C	DUCT , cable assembly						1	—	C	ECZ10
	10-20 N 8011	SCREW , 2 BA						2	—	—	
	10-20 N 8007	DUCT , No. 4, group						1	—	—	
28S/1200053	A33/C16	CAPPING , cable duct						1	LFS.23	LM	ECZ10
		DUCT , cable						1	—	C	ECZ10
		SCREW , 2 BA						4	—	C	
28D/1007468	AS.1242/3B	DUCT , No. 11, group						1	—	—	
	10-20 N 9697	BOLT , 4 BA						3	—	C	
	9791	CAPPING , cable duct						1	LFS.21	LM	ECZ8
	10-20 N 9693	DUCT , cable						1	—	C	ECZ8

ELECTRICAL INSTALLATIONS

INSTALLATION OF CABLE CONDUITS, DUCTING AND ACCESSORIES

Ref. No.	Part No.	Description	No. off						Material Specification	Class of Store or L.M.	Plate No.
			1	2	3	4	5	6			
19707	—	DUCT , No. 13, group	1						—		
	10-20 N 6641	CAPPING , cable duct	1					—	C	ECZ10	
	10-20 N 6571	DUCT , cable	1					Fibreglass	—	ECZ10	
28S/15243	AS.2992/5B	SCREW , 4 BA	3					—	C		
13957	10-20 N 12219	DUCT , No. 17	1					—	P	ECZ8	
		Attachments for 10-20 N 12219, Duct :—									
28S/9419431	AS.2996/5C	Screw, 2 BA	4					—	C		
	—	DUCT , No. 21, group	1					—	—		
	10-20 N 12173	CAPPING , cable duct	1					LFS.23	LM	ECZ9	
17266	10-20 N 22401	DUCT , cable (Mod. 335)	1					—	C	ECZ9	
28S/9992521	A33/B24	SCREW , 4 BA	2					—	C		
	—	DUCT , No. 24, group	1					—	—		
	10-20 N 8017	CAPPING , cable duct, 3"-4 long	1					LFS.23	LM	ECZ10	
	10-20 N 8015	CAPPING , cable duct, 6"-25 long... ..	1					LFS.23	LM	ECZ10	
12218	10-20 N 8013	DUCT , cable	1					—	C	ECZ10	
28M/10327	AGS.2002/B/1	NUT , 4 BA	2					—	C		
28S/9435715	A33/B16	SCREW , 4 BA	2					—	C		
28S/15243	AS.2992/5B	SCREW , 4 BA	1					—	C		
	—	DUCT , No. 25, group	1					—	—		
26DV/9944	AS.4805	CAPPING , cable duct	QR					—	C	ECZ9	
	AS4799	CLIP , spring	2					—	—		
26DL/6063	AS.4798	DUCT , cable	QR					—	C	ECZ9	
28S/1011499	A33/B32	SCREW , 4 BA	2					—	C		
	10-20 N 10071	SPACER	1					LFB.82	LM	ECZ9	
	DHS.364	TAG , marker	1					—	LM	ECZ9	
	—	DUCT , cable Nos. 26 and 27, group	1					—	—		
28D/—	AS.2920/16B	BOLT , 4 BA	2					—	—		
26DV/9944	AS.4805	CAPPING , cable duct	QR					—	C	ECZ9	
	AS.4799	CLIP , spring	2					—	—		
26DL/6063	AS.4798	DUCT , cable	QR					—	C	ECZ9	
	10-20 N 10057	SPACER	2					LFB.82	LM	ECZ9	
26DV/11963	AS.4821	SPACER	2					—	C		
	DHS.364	TAG , market	1					—	LM	ECZ9	
5K/2871	SP.40/A12	GROMMET , cable entry	1					—	C		
15711	10-20 N 11519A	STRAP , cable fastening, assembly	8					—	C	ECZ10	
	EYLAND & SON										
	14355 A1439	BUCKLE	1					—	C	ECZ10	
28N/253	AGS.191/A	BURR	2					—	C		
	BELLS' ASBESTOS										
12690	J29/69	STRAP , ½" wide, asbestos neoprene faced tape, 1/16" thick	1					—	C	ECZ10	
		Attachments for 10-20 N 11519A, Strap :—									
28D/15616	AS.4598/1C	Bolt, 2 BA	1					—	C		
28D/1007982	AS.1248/1C	Bolt, 2 BA	1					—	C		
28M/10288	AGS.2001/C/1	Nut, 2 BA (rear strap)	1					—	C		
28W/9419402	SP.13/C	Washer	1					—	C		
28W/1200071	SP.23/C	Washer (rear strap)	1					—	C		
5F/9434853	HELLERMANN HV.3254	STRAP , flexible, 3/16" wide, cable fastening	QR					PVC	C	ECZ8	
5F/9138823	HELLERMANN NY.3255	STUD , 5/16" cable fastening strap	QR					Nylon	C	ECZ8	
15712	10-20 N 13065A	SUPPORT , cable, No. 1, assembly	1					—	C	ECZ10	
		Attachments for 10-20 N 13065A, Support :—									
28S/1012946	AS.2992/6C	Screw, 2 BA	2					—	C		

ELECTRICAL INSTALLATIONS

INSTALLATION OF CABLE CONDUITS, DUCTING AND ACCESSORIES

Ref. No.	Part No.	Description	No. off	Material Specification	Class of Store or L.M.	Plate No.
15714	10-20 N 13067A	SUPPORT , cable, No. 3, assembly	1	—	C	ECZ10
28S/1012946	AS.2992/6C	Attachments for 10-20 N 13067A, Support :— Screw, 2 BA	2	—	C	
32B/—	—	TAPE , lasso fibre adhesive	QR	—	C	
13114	DHS.181/10	TUBING , protective, 10 m/m, i/d	QR	—	C	
	—	INSTALLATION AT GENERATOR CONTROL PANEL (Drg. No. 10-20 N 13301A and 10-20 N 14863A)	1	—	—	
28D/9709461	AS.1242/3C	DUCT , cable, bottom of panel, Port, group ...	1	—	—	
	10-20 N 4633	BOLT , 2 BA	3	—	C	
	16289	CLAMP	3	—	—	ECZ21
	10-20 N 13989	DUCT , cable	1	—	C	ECZ21
	5829	DUCT , cover	1	—	C	ECZ21
28D/9709461	AS.1242/3C	DUCT , cable, bottom of panel, Starboard, group	1	—	—	
	10-20 N 4633	BOLT , 2 BA	3	—	C	
	16290	CLAMP	3	—	—	ECZ21
	10-20 N 13990	DUCT , cable	1	—	C	ECZ21
	5829	DUCT , cover	1	—	C	ECZ21
	—	INSTALLATION AT INNER FLAP SHROUD (Drg. No. 10-20 N 2327)	1	—	—	
28E/14211	AS.5418/12	CLIP , "P"	5	—	C	ECZ16
		Attachments for Ref. No. 28E/14211, Clip :—				
28D/1010658	A25/1B	Bolt , 4 BA	1	—	C	
28M/10287	AGS.2001/B/1	Nut , 4 BA	1	—	C	
28W/9419474	SP.15/B	Washer	1	—	C	
28E/8018278	AS.3180/8B	CLIP , "P," rubber covered	1	—	C	ECZ16
		Attachments for Ref. No. 28E/8018278, Clip :—				
28S/14005	A32/B14	Screw , 4 BA	1	—	C	
	10-20 N 2331ND	CONDUIT , adjacent to flap shroud rib No. 1, Port, $\frac{3}{4}$ " o/d x 24 SWG	1	L.56	LM	ECZ16
	10-20 N 2333ND	CONDUIT , adjacent to flap shroud rib No. 1, Star- board, $\frac{3}{4}$ " o/d x 24 SWG	1	L.56	LM	ECZ16
14375	DHS.181/18	TUBING , protective, 18 m/m, i/d	QR	—	C	ECZ16
	—	INSTALLATION AT LOWER ACCESSORY BAY (Drg. Nos. 10-20 N 12401 and 10-20 N 12403)	1	—	—	
	10-20 N 7651	BRACKET , mounting cable duct on manhole cover, forward Starboard, 18 SWG	1	L.72	LM	ECZ20
	10-20 N 13039	BRACKET , mounting cable duct on manhole cover, rear Starboard, 18 SWG	1	L.72	LM	ECZ20
	10-20 N 7587	BRACKET , mounting "P" clip for cables on rib No. 1, Starboard side, 18 SWG	1	L.72	LM	ECZ20
	10-20 N 24345A	BRIDGE , cable, semi-bulkhead, Port side, assembly (Mod. 1424)	1	—	—	ECZ20
	10-20 N 24347ND	BRIDGE , bare, 18 SWG	1	L.72	LM	ECZ20
28M/9434253	AGS.2007/B/1	NUT , 4 BA, anchor	2	—	C	
		Attachments for 10-20 N 24345A, Bridge :—				
28D/1010658	A25/1B	Bolt , 4 BA	4	—	C	
28W/9419465	SP.13/B	Washer	4	—	C	

ELECTRICAL INSTALLATIONS

INSTALLATION OF CABLE CONDUITS, DUCTING AND ACCESSORIES

Ref. No.	Part No.	Description	No. off	Material Specification	Class of Store or L.M.	Plate No.
26DV/8674	DHS.381	CLAMP , cable, Port fuel bay door	2	—	C	ECZ20
	—	CLIPS , group	1	—	—	
28D/1200120	A25/14B	BOLT , 4 BA	1	—	C	
28D/1010030	A25/7C	BOLT , 2 BA	2	—	C	
28E/1012846	AS.3180/14B	CLIP , "P"	1	—	C	
28E/14240	AS.5418/3	CLIP , "P"	4	—	C	
28E/9482116	AS.5418/6	CLIP , "P"	8	—	C	
28E/14242	AS.5418/7	CLIP , "P"	1	—	C	
28E/9996125	AS.5418/8	CLIP , "P"	6	—	C	
28E/14633	AS.5418/9	CLIP , "P"	2	—	C	
28E/9017443	AS.5418/11	CLIP , "P"	2	—	C	
28E/16582	AS.5418/18	CLIP , "P"	3	—	C	
28E/9471024	AS.5418/24	CLIP , "P"	1	—	C	
	10-20 N 7031	CLIP , "P," securing cables to heating pipe aft of front firewall, Port side, 18 SWG	1	L.72	LM	ECZ20
	10-90 N 7645	CLIP , duct attachment bracket at semi-bulkhead Starboard side	1	S.511	LM	ECZ20
13088	10-20 N 7133A	CLIP , half, lower portion complete with lining, secured to heating pipe, aft of front firewall, Port side, assembly	1	—	C	ECZ20
13087	10-20 N 7007A	CLIP , half, upper portion complete with lining, secured to heating pipe, aft of front firewall, Port side, assembly	1	—	C	ECZ20
	10-20 N 14429	CLIP , "P" at forward position on Starboard fuel bay door	1	L.72	LM	ECZ20
28E/16186	AS.5418/13	CLIP , "P," at fuel bay door, Port	1	—	C	
28E/14212	AS.5418/16	CLIP , "P," at fuel bay door, Port	1	—	C	
		Attachments for AS.5418/13 or AS.5418/16, Clip:—				
28S/1007405	A32/C14	Screw, 2 BA	2	—	C	
	AS.2810/4/025	Tube, distance, $\frac{1}{4}$ " o/d \times 20 SWG \times 0"-25 long	1	L.62	LM	
28W/9419402	SP.13/C	Washer	2	—	C	
	10-20 N 6421A	CLIP , saddle, aft of firewall, Port side, 20 SWG	1	S.511	LM	ECZ20
	10-20 N 24369A	CLIP , saddle, at cable bridge on semi-bulkhead, Port side, 20 SWG (Mod. 1424)	1	L.72	LM	ECZ20
	10-20 N 7019	CLIP , saddle, at fuel bay doors, 18 SWG	2	L.72	LM	ECZ20
28M/10287	AGS.2001/B/1	NUT , 4 BA	8	—	C	
28M/10288	AGS.2001/C/1	NUT , 2 BA	8	—	C	
28S/1008327	A32/B14	SCREW , 4 BA	5	—	C	
28S/9995376	A32/B20	SCREW , 4 BA	5	—	C	
28S/1214216	A32/C6	SCREW , 2 BA	1	—	C	
28S/1007405	A32/C14	SCREW , 2 BA	2	—	C	
28S/1011490	A32/C16	SCREW , 2 BA	2	—	C	
28S/9992533	A32/C20	SCREW , 2 BA	1	—	C	
	AS.2810/4/129	TUBE , distance, $\frac{1}{4}$ " o/d \times 20 SWG \times 1"-29 long	1	L.62	LM	
28W/9419465	SP.13/B	WASHER	13	—	C	
28W/9419474	SP.15/B	WASHER	27	—	C	
28W/9419402	SP.13/C	WASHER	12	—	C	
13089	10-20 N 7541	CONDUIT , cable, at rib No. 1, Starboard side, 22 SWG	1	—	C	ECZ20
		Attachments for 10-20 N 7541, Conduit:—				
28D/9133011	A25/2C	Bolt, 2 BA	1	—	C	
28E/16216	AS.5418/20	Clip, "P"	1	—	C	
28W/9419402	SP.13/C	Washer	1	—	C	

INSTALLATION OF CABLE CONDUITS, DUCTING AND ACCESSORIES

Ref. No.	Part No.	Description	No. off	Material Specification	Class of Store or L.M	Plate No.
26DV/9944	AS.4805	CAPPING , cable duct	QR	Bakelite	C	ECZ20
26DV/11627	AS.4822	CLIP , spring	2	—	C	
26DL/6084	AS.4824	CLIP , spring	2	—	C	
26DV/11323	AS.4801	DUCT , cable	QR	Asbestos	C	
26DV/11963	AS.4821	SPACER	4	LPS.36	C	
5K/2877	SP.40/A8	GROMMET , cable entry, Port fuel bay door ...	4	—	C	
5F/2281	HELLERMANN HV.3341	STRAP , flexible, $\frac{1}{2}$ " wide, cable fastening ...	QR	PVC	C	
5F/2279	HELLERMANN HV.3254	STRAP , flexible, $\frac{1}{16}$ " wide, cable fastening ...	QR	PVC	C	
32C/—	—	STRIP , rubbing, $\frac{1}{8}$ " dia. x 0"·05 slot	QR	—	C	
5F/2302	HELLERMANN NY.3342	STUD , $\frac{1}{2}$ " cable fastening strap	QR	Nylon	C	
5F/2280	HELLERMANN NY.3255	STUD , $\frac{3}{16}$ " cable fastening strap	QR	Nylon	C	
—	—	INSTALLATION AT MAIN UNDERCARRIAGE LEG (Drg. No. 10-20 N 2641)	1	—	—	
10-20 N 2643ND	—	CONDUIT , cable, along compression leg, Port, $\frac{1}{2}$ " o/d x 22 SWG	1	L.56	LM	ECZ2
10-20 N 2644ND	—	CONDUIT , cable, along compression leg, Star- board, $\frac{3}{8}$ " o/d x 22 SWG	1	L.56	LM	ECZ2
—	—	Attachments for 10-20 N 2643 or 10-20 N 2644ND, Conduit :—				
28E/14241	10-20 N 2745 AS.5418/6	Clip, "P" 22 SWG	3	L.72	LM	ECZ2
28E/14242	AS.5418/7	Clip, "P"	1	—	C	
—	—	Clip, "P"	1	—	C	
—	—	INSTALLATION AT NOSE WHEEL BAY ... (Drg. No. 10-20 N 6195)	1	—	—	
10-20 N 6519ND	—	CONDUIT , cable, front, Port nose wheel wall, $\frac{3}{8}$ " o/d x 22 SWG	1	L.56	LM	ECZ2
—	—	Attachments for 10-20 N 6519ND. Conduit :—				
28D/1010658	A25/1B	Bolt, 4 BA	2	—	C	
28E/14211	AS.5418/12	Clip, "P"	2	—	C	
28VV/9419401	SP.10/B	Washer	2	—	C	
10-20 N 7317ND	—	CONDUIT , cable, rear, Port nose wheel wall, $\frac{3}{16}$ " o/d x 22 SWG	1	L.56	LM	ECZ2
—	—	Attachments for 10-20 N 7317ND, Conduit :—				
28D/1010658	A25/1B	Bolt, 4 BA	1	—	C	
28E/16077	AS.5418/5	Clip, "P"	4	—	C	
28VV/9419401	SP.10/B	Washer	1	—	C	
10-20 N 6187ND	—	CONDUIT , cable, Port nose wheel wall, $\frac{7}{16}$ " o/d x 22 SWG	1	L.56	LM	ECZ2
10-20 N 5183ND	—	CONDUIT , cable, Port nose wheel wall, $\frac{3}{8}$ " o/d x 22 SWG	1	L.56	LM	ECZ2
—	—	Attachments for 10-20 N 6187ND or 10-20 N 5183ND, Conduit :—				
28D/1008119	A25/2B	Bolt, 4 BA	2	—	C	
28E/14241	AS.5418/6	Clip, "P"	2	—	C	
28E/14242	AS.5418/7	Clip, "P"	2	—	C	
28VV/9419465	SP.13/B	Washer	2	—	C	

INSTALLATION OF CABLE CONDUITS, DUCTING AND ACCESSORIES

Ref. No.	Part No.	Description	No. off	Material Specification	Class of Store or L.M	Plate No.
28E/14041	AS.3180/8B	CLIP , "P." cable attachment, at junction of cables forward of micro switches coded "RN" and "RPA" on Rib No. 4	1	—	C	
		Attachments for AS.3180/8B, Clip :—				
28D/13777	AS.1246/8B	Bolt, 4 BA	1	—	C	
28M/10287	AGS.2001/B/1	Nut, 4 BA	1	—	C	
	DHS.489/4	Spacer	1	PVC		
28W/9419474	SP.15/B	Washer	1	—	C	
28E/14054	AS.3180/7C	CLIP , "P." securing micro switch cables on out-board face of Rib No. 4	9	—	C	
		Attachments for AS.3180/7C, Clip :—				
28M/10288	AGS.2001/C/1	Nut, 2 BA	1	—	C	
28S/13742	A32/C14	Screw, 2 BA	1	—	C	
28F/9434858	—	STRAP , P.V.C., 1/8"	QR	—	C	
28F/9138823	—	STUD , Nylon	QR	—	C	
14371	DHS.181/13	TUBING , P.V.C. 13 m/m i/d. cable sheathing	QR	—	C	
		INSTALLATION AT STUB BOOM AND REAR SPAR, PORT (Drg. No. 10-20 N 10109)	1	—	—	
	10-20 N 8661A	ANGLE , rib, post No. 3, assembly	1	—	—	ECZ12
	10-20 N 8663ND	ANGLE , bare, 20 SWG	1	L.72	LM	ECZ12
28M/9434253	AGS.2007/B/1	NUT , 4 BA, anchor	1	—	C	
		Attachments for 10-20 N 8661A, Angle :—				
28D/12947	AS.1246/1/3B	Bolt, 4 BA	2	—	C	
28M/10287	AGS.2001/B/1	Nut, 4 BA	2	—	C	
	10-20 N 2093	BLOCK , clamp, half, rear spar between rib Nos. 1 and 2	1	LFS.21	LM	ECZ12
	10-20 N 5541	BLOCK , clamp, half, rear spar between rib Nos. 1 and 2	1	LFS.21	LM	ECZ12
		Attachments for 10-20 N 2093 and 10-20 N 5541, Blocks (Per pair) :—				
28D/9140638	A25/4B	Bolt, 4 BA	4	—	C	
	10-20 N 2677	BLOCK , clamp, half, stub boom	8	LFS.21	LM	ECZ12
		Attachments for 10-20 N 2677, Block (Per pair) :—				
28D/9435711	A25/10B	Bolt, 4 BA	2	—	C	
28D/12528	A25/1B	Bolt, 4 BA	2	—	C	
28D/9140639	A25/11B	Bolt, 4 BA (For clamp blocks at station 366"-8 only)	2	—	C	
	10-20 N 2699	BLOCK , clamp half, stub boom adjacent to rear spar	2	LFS.21	LM	ECZ12
		Attachments for 10-20 N 2699, Block (Per pair) :—				
28D/9435711	A25/10B	Bolt, 2 BA	2	—	C	
	10-20 N 8221	BLOCK , clamp, half, rear spar	4	LFS.21,23 or 26	LM	ECZ12
		Attachments for 10-20 N 8221, Block (Per pair) :—				
28D/9435711	A25/10B	Bolt, 4 BA	4	—	C	
28W/9419465	SP.13/B	Washer	4	—	C	

ELECTRICAL INSTALLATIONS

INSTALLATION OF CABLE CONDUITS, DUCTING AND ACCESSORIES

Ref. No.	Part No.	Description						No. off	Material Specification	Class of Store or L.M.	Place No.
		1	2	3	4	5	6				
28D/9140639	10-20 N 8147	BLOCK , clamp, half, stub boom, group ...						4	—	LM	ECZ12
28D/1007971	A.25/11B	BOLT , 4 BA ...						4	—	C	
	A.25/3B	BOLT , 4 BA ...						4	—	C	
	10-20 N 8239A	PLATE , nut, 18 SWG ...						2	L.72	LM	ECZ12
	10-20 N 8241ND	PLATE , bare ...						2	—	LM	
28M/9434252	AGS.2018/B/1	NUT , anchor, 4 BA ...						2	—	C	
		Attachments for 10-20 N 8147, Block :—									
28W/9419465	SP.13/B	Washer ...						8	—	C	
	—	CLIP , group ...						1	—	—	
28D/1010658	A25/1B	BOLT , 4 BA ...						2	—	C	
28E/9436947	AS.3180/4B	CLIP , "P." rubber covered ...						1	—	C	
28E/1012847	AS.3180/18B	CLIP , "P." rubber covered ...						1	—	C	
28E/1009753	AS.3180/3C	CLIP , "P." rubber covered ...						2	—	C	
28E/8018279	AS.3180/4C	CLIP , "P." rubber covered ...						1	—	C	
	10-20 N 15535	CLIP , saddle, 18 SWG ...						5	L.72	LM	ECZ12
28M/10288	AGS.2001/C/1	NUT , 2 BA ...						2	—	C	
28S/14005	A32/B14	SCREW , 4 BA ...						1	—	C	
28S/2862	A32/C16	SCREW , 2 BA ...						1	—	C	
28S/9992533	A33/C20	SCREW , 2 BA ...						1	—	C	
28W/9419402	SP13/C	WASHER ...						1	—	C	
28W/9419475	SP.15/C	WASHER ...						1	—	C	
	10-20 N 7063ND	CONDUIT , along stub boom, front portion, 1/2" o/d x 22 SWG						1	L.59	—	ECZ12
	10-20 N 7065ND	CONDUIT , along stub boom, front portion, 3/4" o/d x 24 SWG						1	L.59	—	ECZ12
	10-20 N 7067ND	CONDUIT , along stub boom, front portion, 3/8" o/d x 24 SWG						1	L.59	—	ECZ12
	10-20 N 7069ND	CONDUIT , along stub boom, front portion, 1 1/2" o/d x 24 SWG						1	L.59	—	ECZ12
	10-20 N 7071ND	CONDUIT , along stub boom, rear portion, 1/2" o/d x 22 SWG						1	L.59	—	ECZ12
	10-20 N 7073ND	CONDUIT , along stub boom, rear portion, 3/4" o/d x 24 SWG						1	L.59	—	ECZ12
	10-20 N 7075ND	CONDUIT , along stub boom, rear portion, 3/8" o/d x 24 SWG						1	L.59	—	ECZ12
	10-20 N 7077ND	CONDUIT , along stub boom, rear portion, 1 1/2" o/d x 24 SWG						1	L.59	—	ECZ12
	10-20 N 2665ND	CONDUIT , between stub and tail boom, 1/2" o/d x 22 SWG						1	L.56	LM	ECZ12
	10-20 N 2667ND	CONDUIT , between stub and tail boom, 3/4" o/d x 24 SWG						1	L.56	LM	ECZ12
	10-20 N 2669ND	CONDUIT , between stub and tail boom, 3/8" o/d x 24 SWG						1	L.56	LM	ECZ12
	10-20 N 2671ND	CONDUIT , rear face of rear spar between rib Nos. 2 and 3, 1/2" o/d x 22 SWG						1	L.56	LM	ECZ12
	10-20 N 2673ND	CONDUIT , rear face of rear spar between rib Nos. 2 and 3, 3/4" o/d x 24 SWG						1	L.56	LM	ECZ12
	10-20 N 8149ND	CONDUIT , rear face of rear spar between rib Nos. 2 and 3, 3/4" o/d x 24 SWG						1	L.56	LM	ECZ12
16291	10-20 N 8607ND	CONDUIT , rear face of rear spar, between rib Nos. 1 and 2						1	L.56	C	ECZ12
5K/2868	SP.40/B8	GROMMET , rear spar rib post No. 2 ...						1	—	C	
	10-20 N 7567	PACKING-PIECE , under "P" clip at front face of rear diaphragm in stub boom						1	LFS.21	LM	ECZ12

INSTALLATION OF CABLE CONDUITS, DUCTING AND ACCESSORIES

Ref. No.	Part No.	Description	No. off	Material Specification	Class of Store or L.M.	Plate No.
5F/9434853	HELLERMANN HV.3254	STRAP, flexible, $\frac{5}{8}$ " wide, cable fastening ...	QR	PVC	C	ECZ12
5F/9138823	HELLERMANN HV.3255	STUD, $\frac{5}{8}$ " cable fastening strap ...	QR	PVC	C	ECZ12
6380	DHS.181/14	TUBING, protective, 14 m/m i/d ...	QR	PVC	C	ECZ12
14374	DHS.181/16	TUBING, protective, 16 m/m i/d ...	QR	PVC	C	ECZ12
13115	DHS.181/8	TUBING, protective, 8 m/m i/d ...	QR	PVC	C	ECZ12
	—	INSTALLATION AT STUB BOOM AND REAR SPAR, STARBOARD (Drg. No. 10-20 N 2679)	1	—	—	
	10-20 N 2691	BLOCK, clamp, half, stub boom ...	4	LFS.21	LM	ECZ13
	10-20 N 2693	BLOCK, clamp, half, stub boom ...	4	LFS.21	LM	ECZ13
		Attachments for 10-20 N 2691 and 10-20 N 2693, Blocks per pair) :—				
28D/9140639	A25/11B	Bolt, 4 BA ...	1	—	C	
28D/1212279	A25/20B	Bolt, 4 BA ...	1	—	C	
28W/9419474	SP.15/B	Washer ...	2	—	C	
	—	CLIPS, group ...	1	—	—	
28D/1010658	A25/1B	BOLT, 4 BA ...	1	—	C	
28E/14209	AS.5418/10	CLIP, "P" ...	2	—	C	
28E/9436947	AS.3180/4B	CLIP, "P" rubber covered ...	1	—	C	
28E/1201807	AS.3180/5B	CLIP, "P," rubber covered ...	1	—	C	
28E/1009753	AS.3180/3C	CLIP, "P," rubber covered ...	1	—	C	
28E/8018279	AS.3180/4C	CLIP, "P," rubber covered ...	1	—	C	
28M/10288	AGS.2001/C/1	NUT, 2 BA ...	1	—	C	
28S/5694	A32/B40	SCREW, 4 BA ...	1	—	C	
28S/1011490	A32/C16	SCREW, 2 BA ...	1	—	C	
28S/9992533	A32/C20	SCREW, 2 BA ...	1	—	C	
28W/9419475	SP.15/C	WASHER ...	1	—	C	
28W/9419402	SP.13/C	WASHER ...	3	—	C	
	10-20 N 2685ND	CONDUIT, forward, along stub boom, $\frac{5}{8}$ " o/d x 24 SWG	1	L.56	LM	ECZ13
	10-20 N 2683ND	CONDUIT, forward, along stub boom, $1\frac{1}{2}$ " o/d x 24 SWG	1	L.56	LM	ECZ13
	10-20 N 2689ND	CONDUIT, rear, between stub boom and tail boom, $\frac{5}{8}$ " o/d x 24 SWG	1	L.56	LM	ECZ13
	10-20 N 2687ND	CONDUIT, rear, between stub boom and tail boom, $1\frac{1}{2}$ " o/d x 24 SWG	1	L.56	LM	ECZ13
	10-20 N 2681ND	CONDUIT, rear face of rear spar stub boom diaphragm, $\frac{5}{8}$ " o/d x 24 SWG	1	L.56	LM	ECZ13
5K/2868	SP.40/B8	GROMMET, rear spar rib post No. 2 ...	1	—	C	
	—	STRIP, bonding ".015 thick (Make from Ref. No. 30B/1232) (Mod. 1326)	QR	Zinc	LM	
	AS.2811/5/075	TUBE, distance, $\frac{5}{8}$ " o/d x 17 SWG x 0'-75 long	1	L.62	LM	
14368	DHS.181/6	TUBING, protective, 6 m/m i/d ...	QR	PVC	C	ECZ13
14370	DHS.181/12	TUBING, protective, 12 m/m i/d ...	QR	PVC	C	ECZ13
	—	INSTALLATION AT STUB WING LEADING, EDGE BETWEEN RIBS Nos. 2 TO 4, STARBOARD (Drg. No. 10-20 N 11213)	1	—	—	
28D/9436920	A25/1C	CLIPS, securing cables, group ...	1	—	—	
	—	BOLT, 2 BA ...	1	—	C	

ELECTRICAL INSTALLATIONS

INSTALLATION OF CABLE CONDUITS, DUCTING AND ACCESSORIES

Ref. No.	Part No.	Description	No. off	Material Specification	Class of Score or LM	Plate No.
28E/9000883	AS.3180/9B	CLIP, "P"	1	—	C	
28E/14044	AS.3180/11B	CLIP, "P"	4	—	C	
28E/14060	AS.3180/14C	CLIP, "P"	2	—	C	
28M/10287	AGS.2001/B/1	NUT, 4 BA	2	—	C	
28M/10288	AGS.2001/C/1	NUT, 2 BA	1	—	C	
28S/14005	A32/B14	SCREW, 4 BA	1	—	C	
28S/9992522	A32/B16	SCREW, 4 BA	3	—	C	
INSTALLATION AT TANK No. 2, PORT						
(Drg. No. 10-20 N 6687)						
5K/3405	AS.3360/B3C	LEAD, bonding, flexible	1	—	C	
Attachments for Ref. No. 5K/3405, Lead:—						
28D/1007971	A25/1B	Bolt, 4 BA	1	—	C	
28M/10287	AGS.2001/B/1	Nut, 4 BA	1	—	C	
28W/9419465	SP.13/B	Washer, 4 BA	1	—	C	
14874	10-20 N 6689A/ND	PIPE, at front spar and forward of rib No. 3, assembly	1	—	P	ECZ21
Attachments for 10-20 N 6689A/ND, Pipe:—						
28D/9133011	A25/2C	Bolt, 2 BA, at "P" clip	1	—	C	
28D/9133012	A25/3C	Bolt, 2 BA, at "P" clip	1	—	C	
28D/1200119	A25/4C	Bolt, 2 BA at rib No. 3	6	—	C	
28D/9133013	A25/5C	Bolt, 2 BA at front spar	6	—	C	
28E/9471024	AS.5418/24	Clip, "P"	2	—	C	
FLIGHT REFUELLING						
27FR/2325	FRS.73/K	Collar, split, at rib No. 3	1	—	C	ECZ21
3948	10-20 N 2757	Housing, seal at rib No. 3	1	—	C	ECZ21
3947	10-20 N 2759	Housing, seal at front spar	1	—	C	ECZ21
28M/10288	AGS.2001/C/1	Nut, 2 BA	8	—	C	
28M/10328	AGS.2002/C/1	Nut, 2 BA	6	—	C	
26DL/2608	6P1567	Nut, union at front spar	1	—	C	ECZ21
26DL/2609	6P1565	Ring, bolster at front spar	1	—	C	ECZ21
27QA/463	DOWTY					
	SP.911A/2	Ring, "O" at rib No. 3	1	—	C	
	DOWTY					
27QA/474	SP.911A/13	Ring, "O" at front spar	1	—	C	
26DL/2610	6P2321	Seal, at front spar	1	—	C	ECZ21
26DL/5456	DHS.402/C	Seal, bonded	12	—	C	ECZ21
FLIGHT REFUELLING						
27FR/2433	FRS.151/K/Series 1	Seal, at rib No. 3	1	—	C	ECZ21
FLIGHT REFUELLING						
27FR/2434	FRS.152/K	Sleeve, outer, at rib No. 3	1	—	C	ECZ21
26FN/3285	DHS.180.Mk.3/X	Tag, wire locking	1	—	C	
28W/9419475	SP.15/C	Washer, 2 BA	12	—	C	
	10-20 N 6693ND	Washer, .39 o/d x .20 i/d x 12 SWG (Make from Part No. SP. 16/C, Ref. No. 28W/9419404)	2	L.65	LM	ECZ21
INSTALLATION AT TANK No. 2, STARBOARD						
(Drg. No. 10-20 N 2755)						
5K/3405	AS.3360/B30	LEAD, bonding, flexible	1	—	C	
Attachments for Ref. No. 5K/3405 Lead:—						
28D/1007971	A25/1B	Bolt, 4 BA	1	—	C	
28M/10287	AGS.2001/B/1	Nut, 4 BA	1	—	C	
28W/9419465	SP.13/B	Washer, 4 BA	1	—	C	

INSTALLATION OF CABLE CONDUITS, DUCTING AND ACCESSORIES

Ref. No.	Part No.	Description	No. off	Material Specification	Class of Store or L.M.	Plate No.
26DL/2655	6P179	CLAMP , conduit, tank No. 2	1	—	C	ECZ21
	6P181	CLIP , saddle, conduit, tank No. 2	1	—	LM	ECZ21
28D/9436920	A25/1C	Attachments for 6P179 and 6P187 Clamp and Clip:—				
28M/10281	AGS.2001/C/3	Bolt, 2 BA	2	—	C	
28W/9419475	SF.15/C	Nut, 2 BA	2	—	C	
		Washer, 2 BA	2	—	C	
13091	10-20 N 6666A/ND	CONDUIT , at front spar and forward of rib No. 3, assembly	1	—	P	ECZ21
		Attachments for 10-20 N 6666A/ND, Conduit :—				
28D/1200119	A25/4C	Bolt, 2 BA at rib No. 3	6	—	C	
28D/12533	A25/5C	Bolt, 2 BA at front spar	6	—	C	
		FLIGHT REFUELLING				
27FR/2325	FRS.73/K	Collar, split, at rib No. 3	1	—	C	ECZ21
3948	10-20 N 2757	Housing, seal, at rib. No 3	1	—	C	ECZ21
3947	10-20 N 2759	Housing, seal, at front spar	1	—	C	ECZ21
28M/10281	AGS.2001/C/3	Nut, 2 BA at front spar	6	—	C	
28M/10328	AGS.2002/C/1	Nut, 2 BA at rib No. 3	6	—	C	
26DL/2608	6P1567	Nut, union at front spar	1	—	P	ECZ21
		DOWTY				
27QA/463	SP.911A/2	Ring "O" at rib No. 3	1	—	C	
		DOWTY				
27QA/474	SP.911A/13	Ring "O" at front spar	1	—	C	
26DL/2609	6P1565	Ring, bolster at front spar	1	—	C	ECZ21
26DL/2610	6P2321	Seal, at front spar	1	—	C	ECZ21
26DL/5456	DHS.402/C	Seal, bonded	12	—	C	ECZ21
		FLIGHT REFUELLING				
27FR/2433	FRS.151/K/series 1	Seal, at rib No. 3	1	—	C	ECZ21
		FLIGHT REFUELLING				
27R/2434	FRS.152/K	Sleeve, outer, at rib No. 3	1	—	C	ECZ21
26FN/3285	DHS.180.Mk.3/X	Tag, wire locking	1	—	C	
28W/9419475	SP.15/C	Washer, 2 BA	12	—	C	
		INSTALLATION AT WHEEL WELLS	1	—	—	
		(Drg. Nos. 10-20 N 12929, 10-20 N 12189, 10-20 N 11655, 10-20 N 11701 and 10-20 N 23521)				
		CLIPS , group	1	—	—	
28D/8307	AS.1242/2C	BOLT , 2 BA (Mod. 655)	1	—	C	
3196	DHS.363/3E	BOLT , 1" BSF (Mod. 655)	2	—	C	ECZ15
28D/1010658	A25/1B	BOLT , 4 BA	3	—	C	
28D/1008149	A25/2B	BOLT , 4 BA	6	—	C	
28D/9419397	A25/12C	BOLT , 2 BA	1	—	C	
28D/12536	A25/13C	BOLT , 2 BA	1	—	C	
28D/9140647	A25/14C	BOLT , 2 BA	1	—	C	
28D/9453970	A25/15C	BOLT , 2 BA	1	—	C	
28E/14038	AS.3180/5B	CLIP , "P"	1	—	C	
28D/1201809	AS.3180/6B	CLIP , "P"	3	—	C	
28E/14041	AS.3180/8B	CLIP , "P"	2	—	C	
28E/14043	AS.3180/10B	CLIP , "P"	3	—	C	
28E/14044	AS.3180/11B	CLIP , "P"	7	—	C	
28E/14046	AS.3180/13B	CLIP , "P"	1	—	C	
28E/1012846	AS.3180/14B	CLIP , "P"	2	—	C	
28E/9144901	AS.3180/10C	CLIP , "P"	2	—	C	
28E/1200550	AS.3180/12C	CLIP , "P"	3	—	C	
28E/14060	AS.3180/14C	CLIP , "P"	2	—	C	

ELECTRICAL INSTALLATIONS

INSTALLATION OF CABLE CONDUITS, DUCTING AND ACCESSORIES

Ref. No.	Part No.	Description	No. off	Material Specification	Class of Store or L.M.	Plate No.
28E/16077	AS.5418/5	CLIP, "P"	2	—	C	ECZ15
28E/14209	AS.5418/10	CLIP, "P"	3	—	C	
28E/14211	AS.5418/12	CLIP, "P"	6	—	C	
28E/16216	AS.5418/20	CLIP, "P"	2	—	C	
	10-20 N 6203	CLIP, "P," on arch rib No. 2, 22 SWG (Mod. 655)	2	L.16	LM	
5K/2940	SP.40/D24	GROMMET	1	—	C	
5K/1014649	SP.40/D28	GROMMET	1	—	C	
5K/2952	SP.40/D32	GROMMET	1	—	C	
5K/2958	SP.40/D36	GROMMET	1	—	C	
5K/2941	SP.40/E24	GROMMET	1	—	C	
28M/10287	AGS.2001/B/1	NUT, 4 BA	22	—	C	
28M/10288	AGS.2001/C/1	NUT, 2 BA	7	—	C	
28M/10282	AGS.2001/E/3	NUT, 1/2" BSF (Mod. 655)	2	—	C	
28S/14005	A32/B14	SCREW, 4 BA	9	—	C	
28S/9992522	A32/B16	SCREW, 4 BA	9	—	C	
28S/9995376	A32/B20	SCREW, 4 BA	2	—	C	
28S/6456	A36/B16	SCREW, 4 BA	2	—	C	
28S/6450	A36/C16	SCREW, 2 BA	2	—	C	
28VV/9419465	SP.13/B	WASHER	21	—	C	
28VV/9419402	SP.13/C	WASHER	1	—	C	
28VV/9419474	SP.15/B	WASHER	8	—	C	
	10-20 N 2315ND	CONDUIT, cable, main spar between rib Nos. 1 and 2, Starboard, 1 1/8" o/d x 10'-0" long x 24 SWG	1	L.56	LM	ECZ14
	10-20 N 7035ND	CONDUIT, cable, main spar between rib Nos. 1 and 2, Starboard, 3/8" o/d x 10'-0" long x 24 SWG	1	L.56	LM	ECZ15
	10-20 N 7033ND	CONDUIT, cable, rear wheel well wall to joint on arch rib No. 2, Port, 5/16" o/d x 22 SWG	1	L.56	LM	ECZ15
	10-20 N 7034ND	CONDUIT, cable, rear wheel well wall to joint on arch rib No. 2, Starboard, 5/16" o/d x 22 SWG	1	L.56	LM	ECZ15
	10-20 N 6445ND	CONDUIT, cable, top of wheel well between rib Nos. 1 and 2, Starboard, 3/8" o/d x 22 SWG	1	L.56	LM	ECZ15
	10-20 N 2317ND	CONDUIT, cable, top of wheel well between rib Nos. 3 and 4, 3/4" o/d x 2'-4"-0" long x 24 SWG	2	L.56	LM	ECZ15
	—	DUCT, cable, main spar between rib Nos. 1 and 2, Port, group	1	—	—	
28D/9744	AS.1248/2B	BOLT, 4 BA	4	—	C	ECZ14
12196	10-20 N 6449ND	CAPPING, cable duct	1	Bakelite	C	
12195	10-20 N 6453	DUCT, cable	1	Fibreglass	C	
28M/10287	AGS.2001/B/1	NUT, 4 BA	2	—	C	ECZ14
	—	DUCT, cable, top of wheel well between rib Nos. 1 and 2, Port, group	1	—	—	
14126	10-20 N 12191	CAPPING, cable duct	3	LFS.21	C	ECZ14
14125	10-20 N 12187A	DUCT, cable	1	—	C	ECZ14

INSTALLATION OF CABLE CONDUITS, DUCTING AND ACCESSORIES

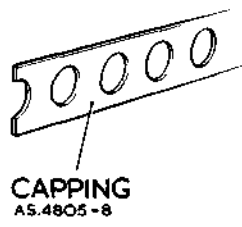
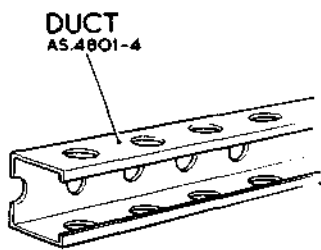
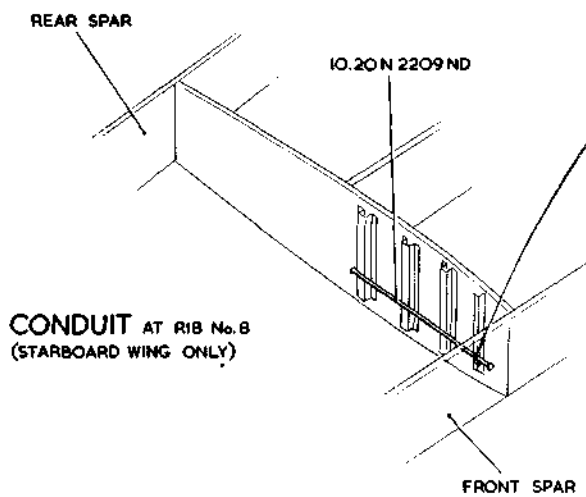
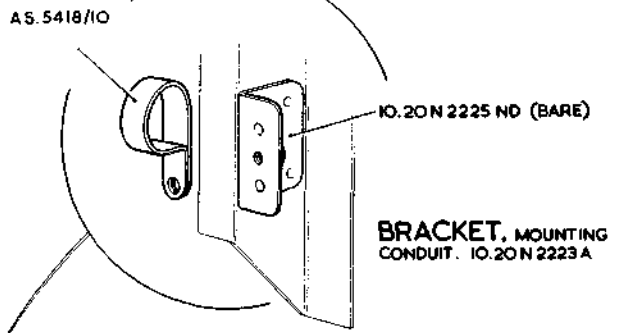
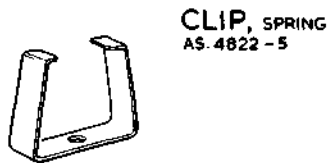
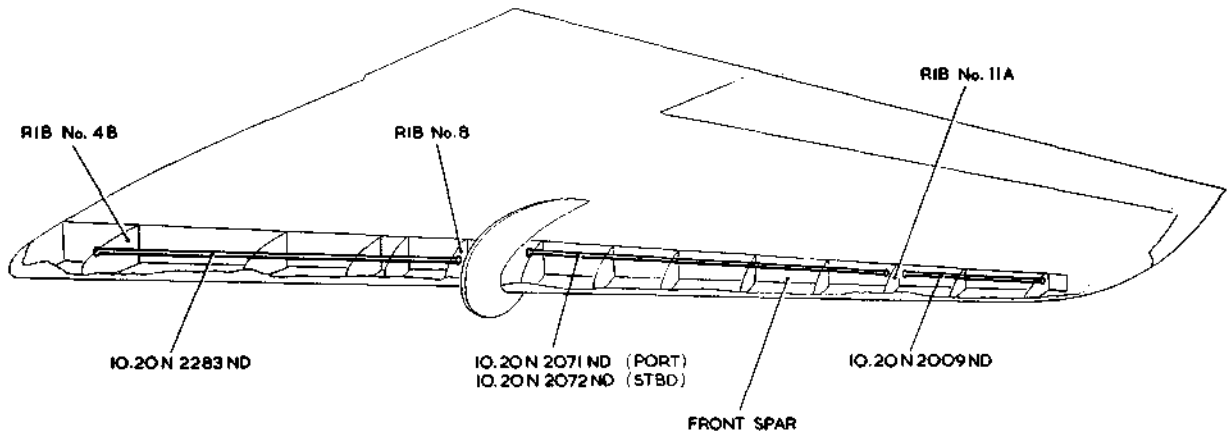
Ref. No.	Part No.	Description	No. off	Material Specification	Class of Store or L.M.	Plate No.
	—	DUCT , cable, top of wheel well between rib Nos. 1 and 2, Starboard, group	1	—	—	
26DL/5466	AS.4807	CAPPING , cable duct	QR	Bakelite	C	ECZ15
26DL/6084	AS.4824	CLIP , spring	2	—	C	ECZ15
26DL/5469	AS.4803	DUCT , cable	QR	Asbestos	C	ECZ15
28M/10287	AGS.2001/B/1	NUT , 4 BA	4	—	C	
28S/2821	A33/B20	SCREW , 4 BA	2	—	C	
26DV/11963	AS.4821	SPACER	2	LPS.36	C	ECZ15
28VV/9419474	SP.15/B	WASHER	4	—	C	
	10-20 N 13413	FAIRLEAD , half, at rib No. 1	2	LFS.21, 23 or 26	LM	ECZ14
		Attachments for 10-20 N 13413, Fairlead (Per pair):—				
28D/9133012	A25/3C	Bolt, 2 BA	2	—	C	
28VV/9419402	SP.13/C	Washer	2	—	C	
	10-20 N 2311	SUPPORT , cable, door jack beam, Port, 18 SWG	1	L.72	LM	ECZ14
		Attachments for 10-20 N 2311, Support:—				
28D/1010658	A25/1B	Bolt, 4 BA	2	—	C	
28D/9140644	A25/9C	Bolt, 2 BA	3	—	C	
28D/9140645	A25/10C	Bolt, 2 BA	1	—	C	
28M/10287	AGS.2001/B/1	Nut, 4 BA	2	—	C	
28M/10288	AGS.2001/C/1	Nut, 2 BA	4	—	C	
28VV/9419474	SP.15/B	Washer	2	—	C	
28VV/9419404	SP.16/C	Washer	8	—	C	
	—	INSTALLATION AT ZONE "A"	1	—	—	
		(Drg. No. 10-20 N 6673)				
	10-20 N 6917	BLOCK , clamp, half, rear face of front spar ...	2	LFS.21	—	ECZ13
	10-20 N 6919	BLOCK , clamp, half, rear face of front spar ...	2	LFS.21	—	ECZ13
		Attachments for 10-20 N 6917 and 10-20 N 6919, Blocks (Per pair):—				
28D/1200120	A25/14B	Bolt, 4 BA	2	—	C	
28VV/9419465	SP.13/B	Washer	2	—	C	
	10-20 N 6671	BLOCK , clamp, half, rear face of front spar, Starboard	2	LFS.23	—	ECZ13
		Attachments for 10-20 N 6671, Blocks (Per pair):—				
28D/12811	A25/16B	Bolt, 4 BA	2	—	C	
28VV/9419465	SP.13/B	Washer	2	—	C	
	10-20 N 7373A	CLIP , cable conduit, rear face of front spar, assembly	2	—	—	ECZ13
	10-20 N 7383ND	CLIP , bare, 20 SWG	2	L.72	LM	ECZ13
	10-20 N 7375ND	LINING , $\frac{1}{8}$ " thick \times $\frac{1}{2}$ " wide \times $4\frac{3}{4}$ " long ...	2	DTD.762	LM	ECZ13
28E/14212	AS.5418/16	CLIP , "P"	2	—	C	
		Attachments for AS.5418/16, Clip:—				
28D/1008149	A25/2B	Bolt, 4 BA	1	—	C	
28M/10287	AGS.2001/B/1	Nut, 4 BA	1	—	C	
28VV/9419465	SP.13/B	Washer	2	—	C	

RESTRICTED
ELECTRICAL INSTALLATIONS

INSTALLATION OF CABLE CONDUITS, DUCTING AND ACCESSORIES

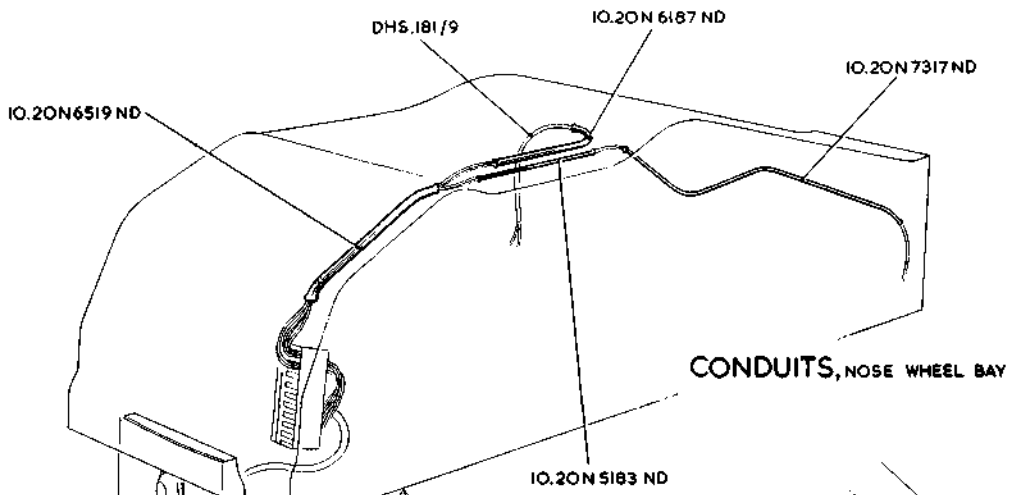
Ref. No.	Part No.	Description	No. off	Material Specification	Class of Store or L.M	Place No.
15288	10-20 N 7385ND	CONDUIT , between clamp block on rear face of front spar, Port, to upper accessory bay, 1"0 o/d x 22 SWG	1	L.56	C	ECZ13
15289	10-20 N 6675ND	CONDUIT , between clamp block on rear face of front spar, Starboard, to clamp block on Port side (Pre Mod. 728)	1	L.56	C	ECZ13
16553	10-20 N 13873ND	CONDUIT , between clamp block on rear face of front spar, Starboard, to clamp block on Port side (Mod. 728)	1	L.56	C	ECZ13
15290	10-20 N 6677ND	CONDUIT , between clamp block on rear face of front spar, Starboard, to upper accessory bay (Pre Mod. 728)	1	L.56	C	ECZ13
16554	10-20 N 13875ND	CONDUIT , between clamp block on rear face of front spar, Starboard, to upper accessory bay (Mod. 728)	1	L.56	C	ECZ13
	—	STRIP , bonding, at clamp blocks, ".015 thick (Make from Ref. No. 30B/1232) (Mod. 1326)	QR	Zinc	LM	

CONDUITS ON FRONT SPAR,
EXTENSION WING, (PORT)



INSTALLATION AT EXTENSION WING

INSTALLATION AT NOSE WHEEL BAY



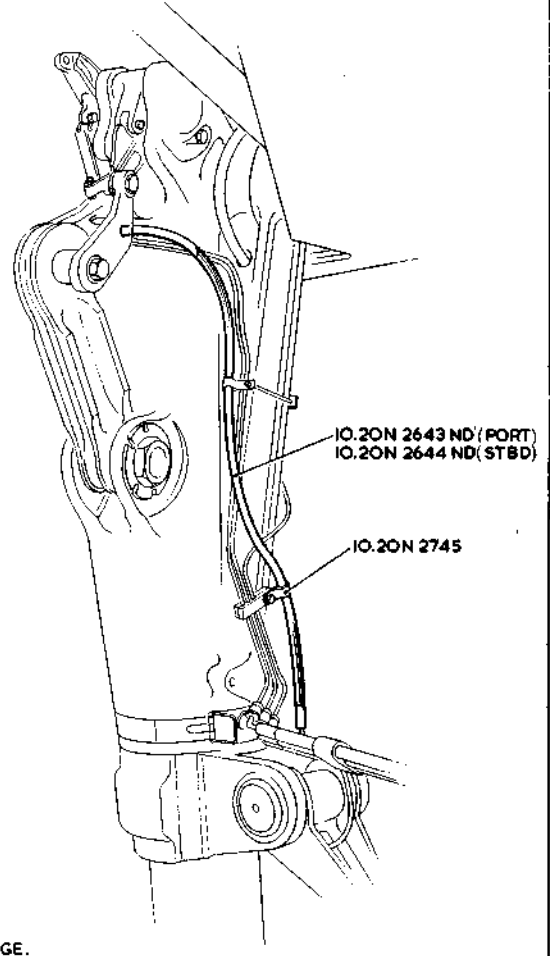
CONDUITS, NOSE WHEEL BAY

STUD,
5F/2280

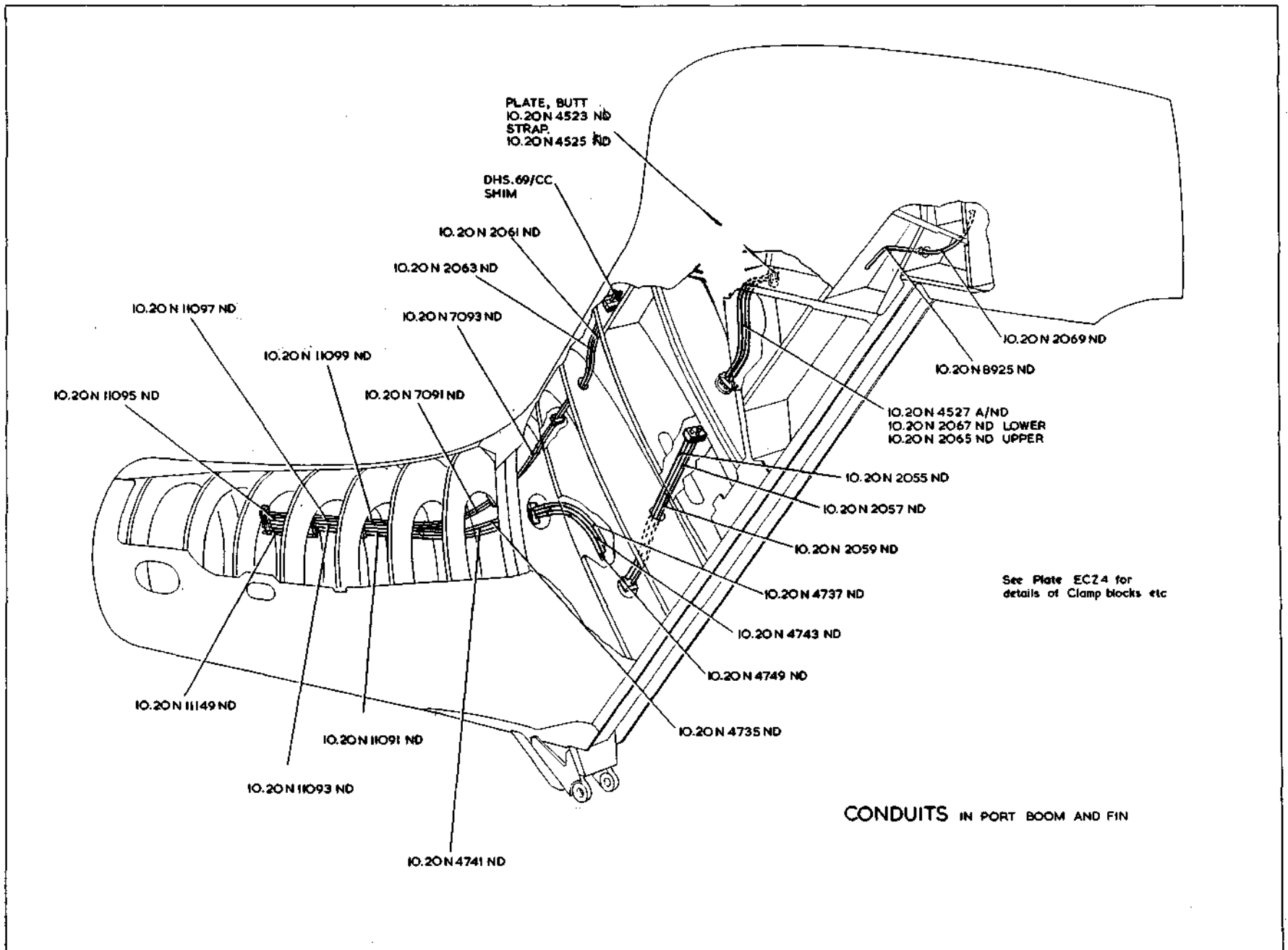


STRAP, 5/16" WIDE
5F/2279

CONDUIT, CABLE, ALONG
COMPRESSION LEG.
MAIN UNDERCARRIAGE.



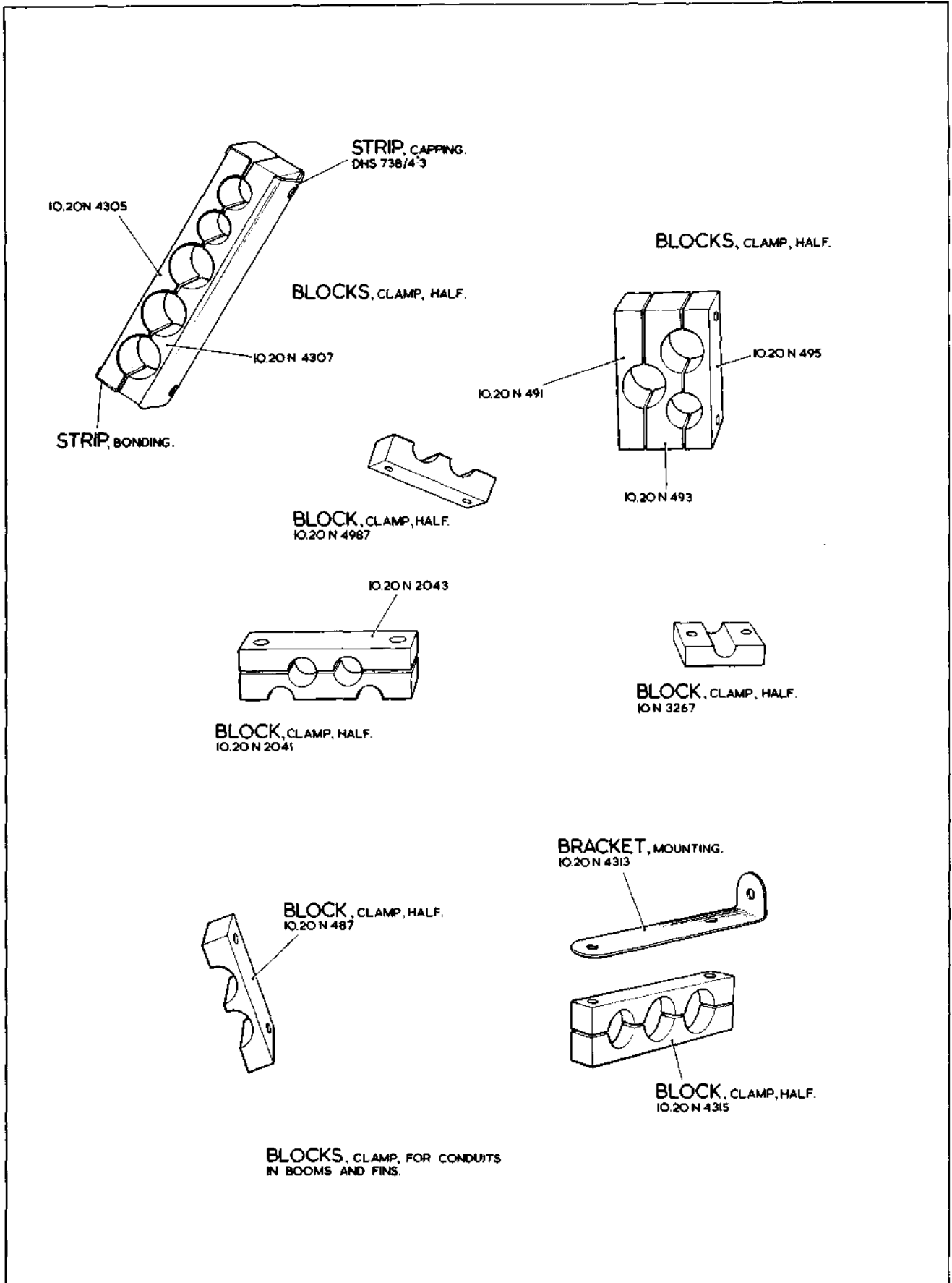
INSTALLATION AT MAIN UNDERCARRIAGE



ECZ. 3

ELECTRICAL INSTALLATION
CONDUITS, DUCTING AND ACCESSORIES

ECZ. 3
[A.L. 60]

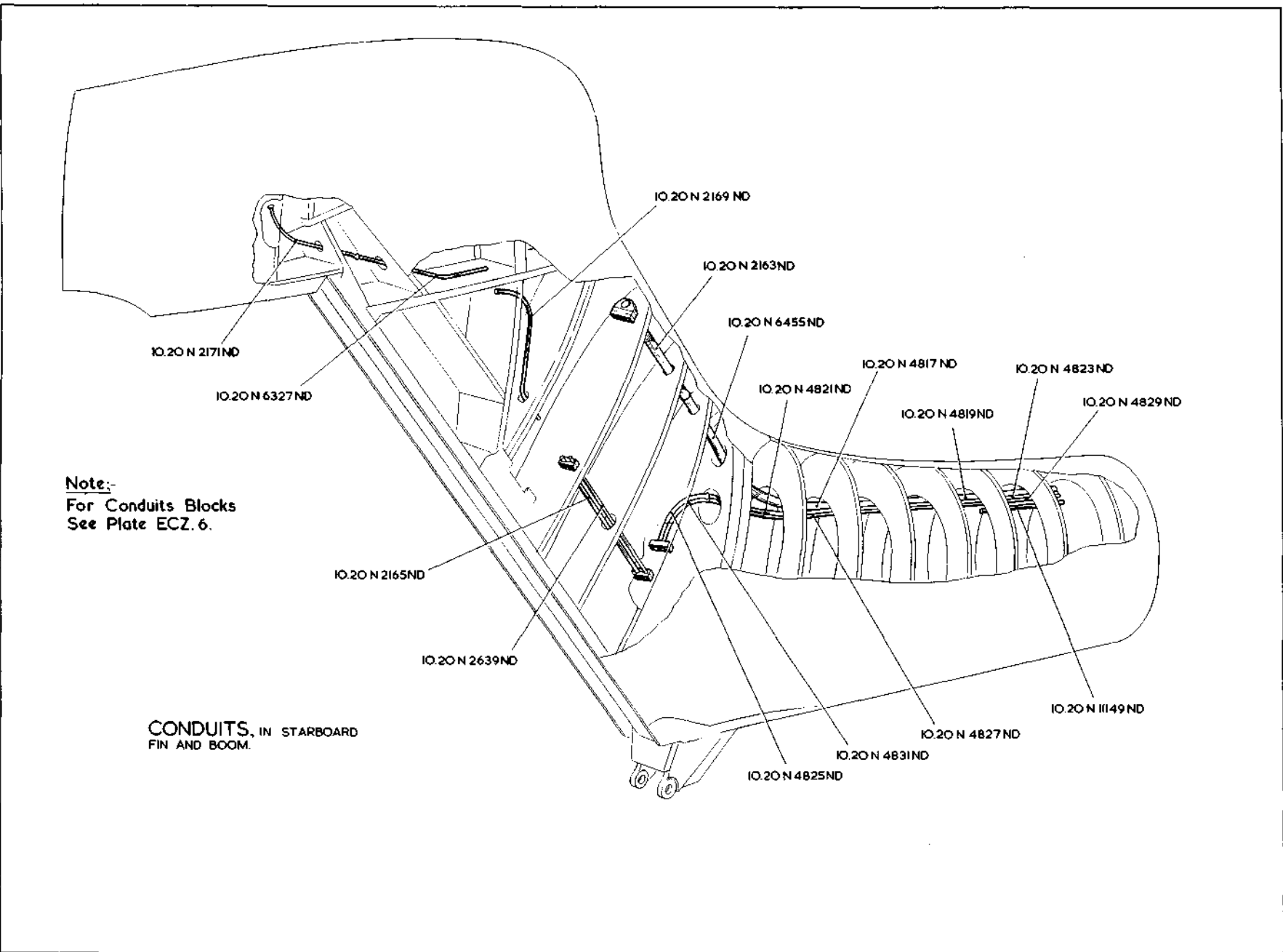


ECZ.4

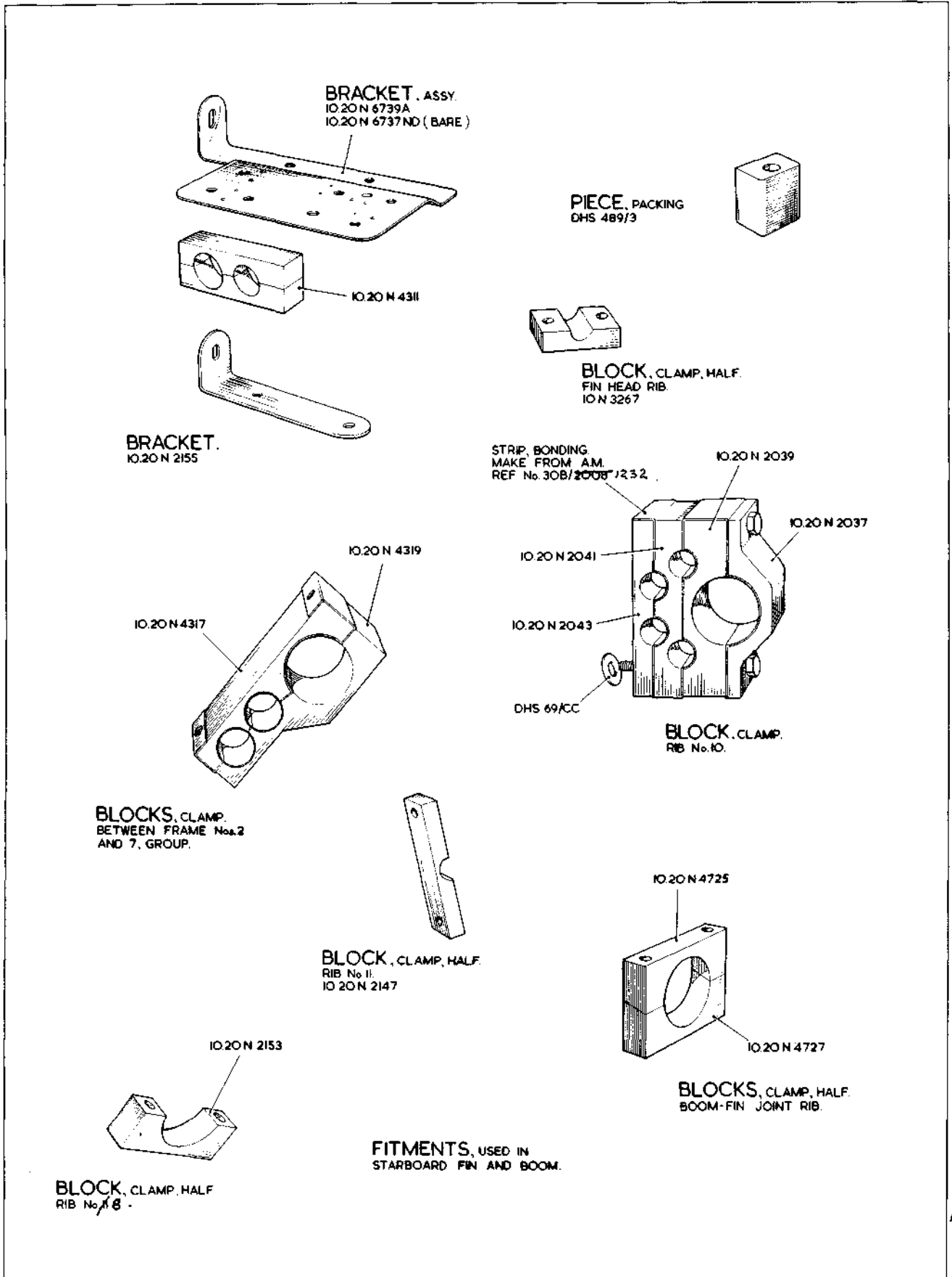
ELECTRICAL INSTALLATION

ECZ.4

CONDUITS, DUCTING AND ACCESSORIES



ECZ.5 ELECTRICAL INSTALLATION ECZ.5
CONDUITS, DUCTING AND ACCESSORIES

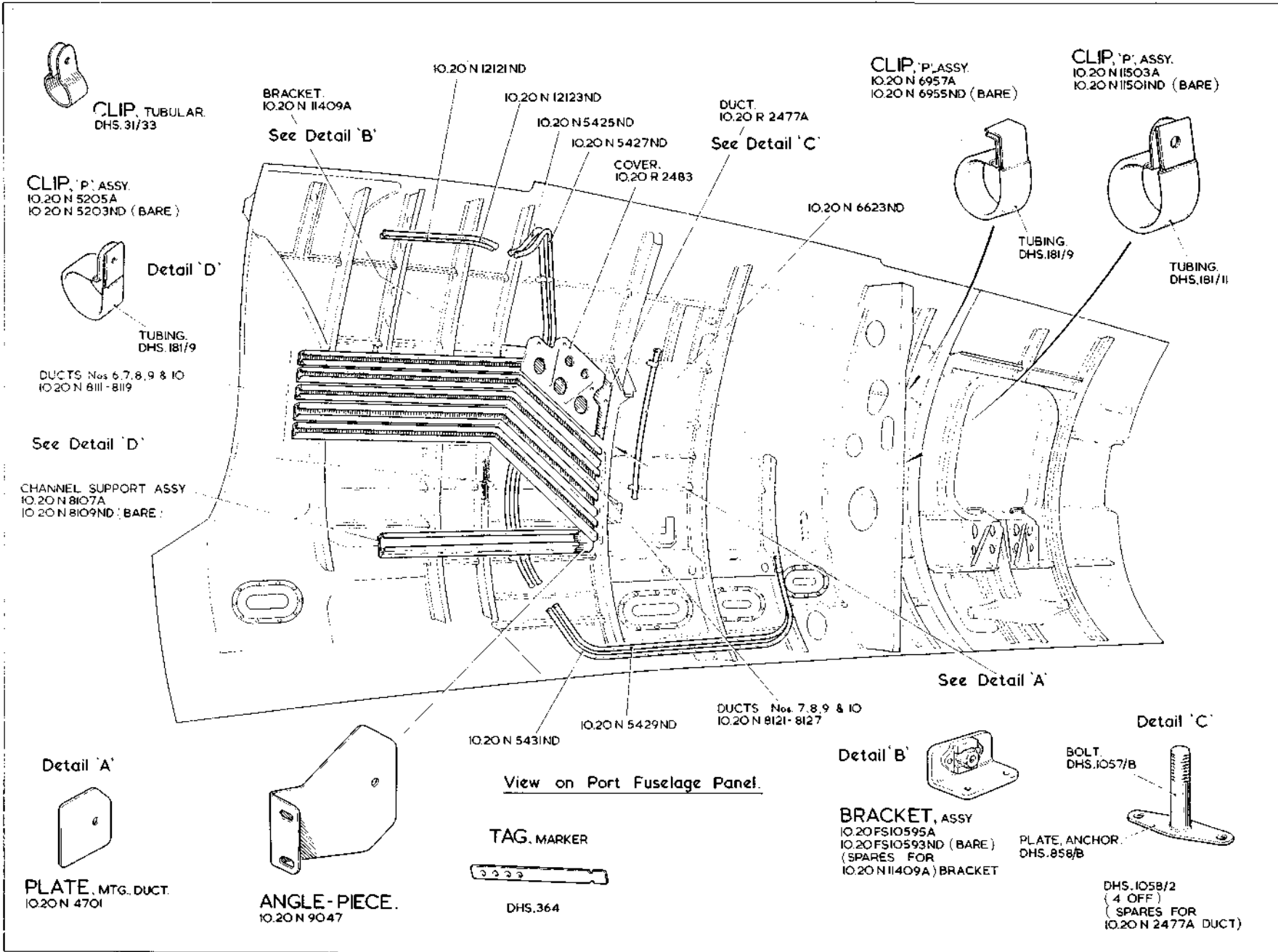


ECZ.6

ELECTRICAL INSTALLATION

ECZ.6

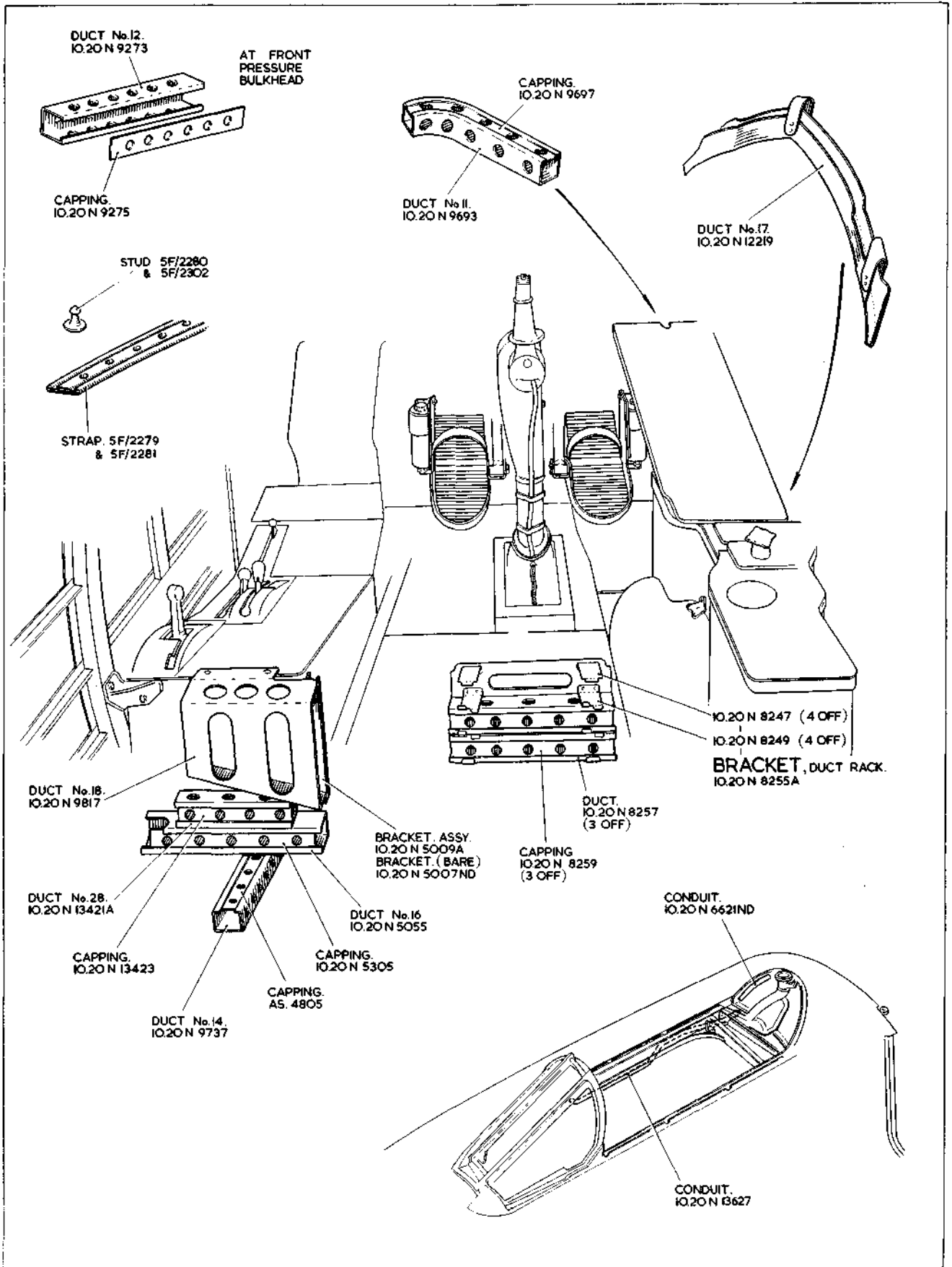
CONDUITS, DUCTING AND ACCESSORIES



ECZ.7

ELECTRICAL INSTALLATION
CONDUITS, DUCTING AND ACCESSORIES

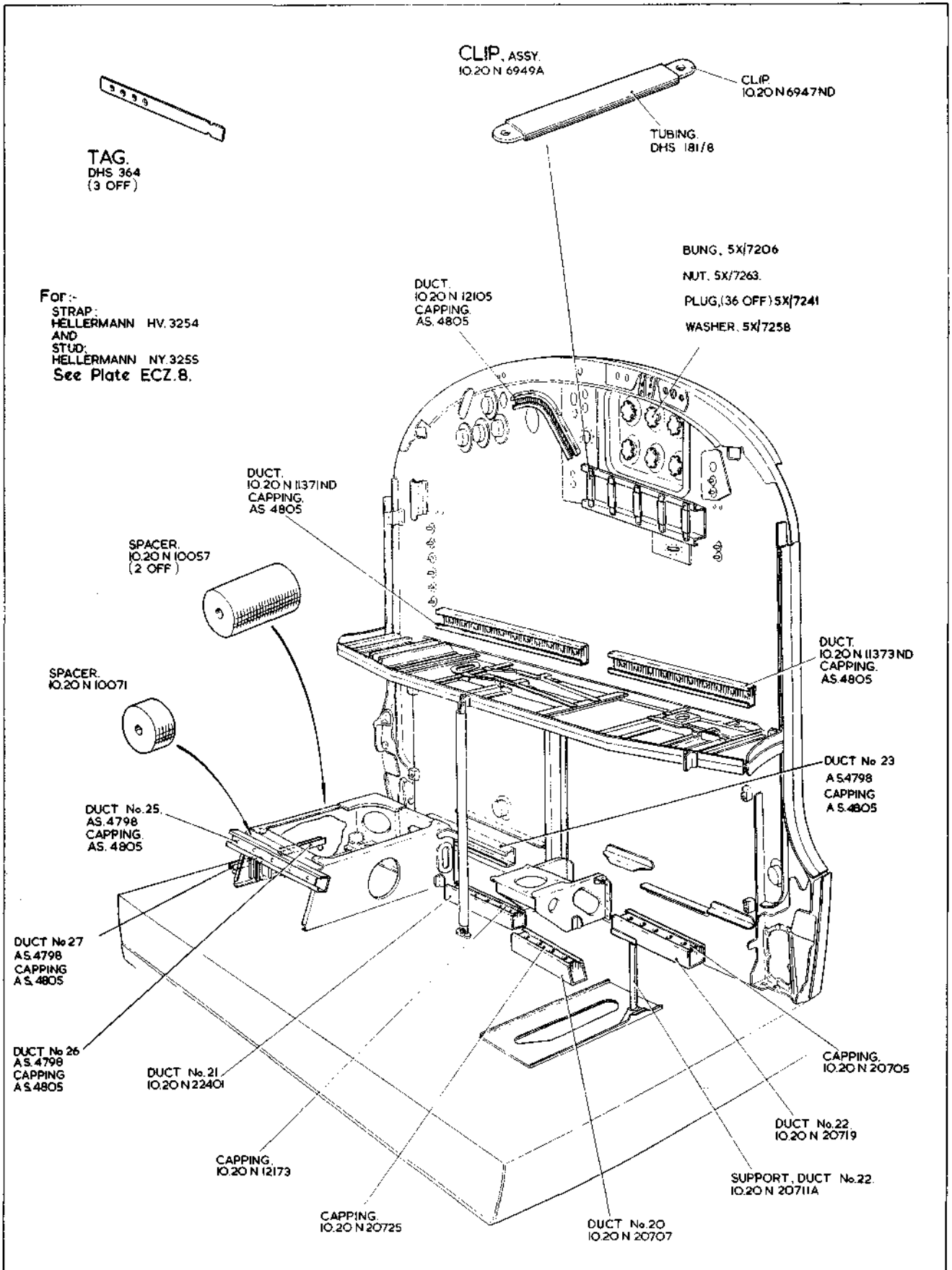
ECZ.7
[AL. 60]



ECZ.8

ELECTRICAL INSTALLATION
CONDUITS, DUCTING AND ACCESSORIES

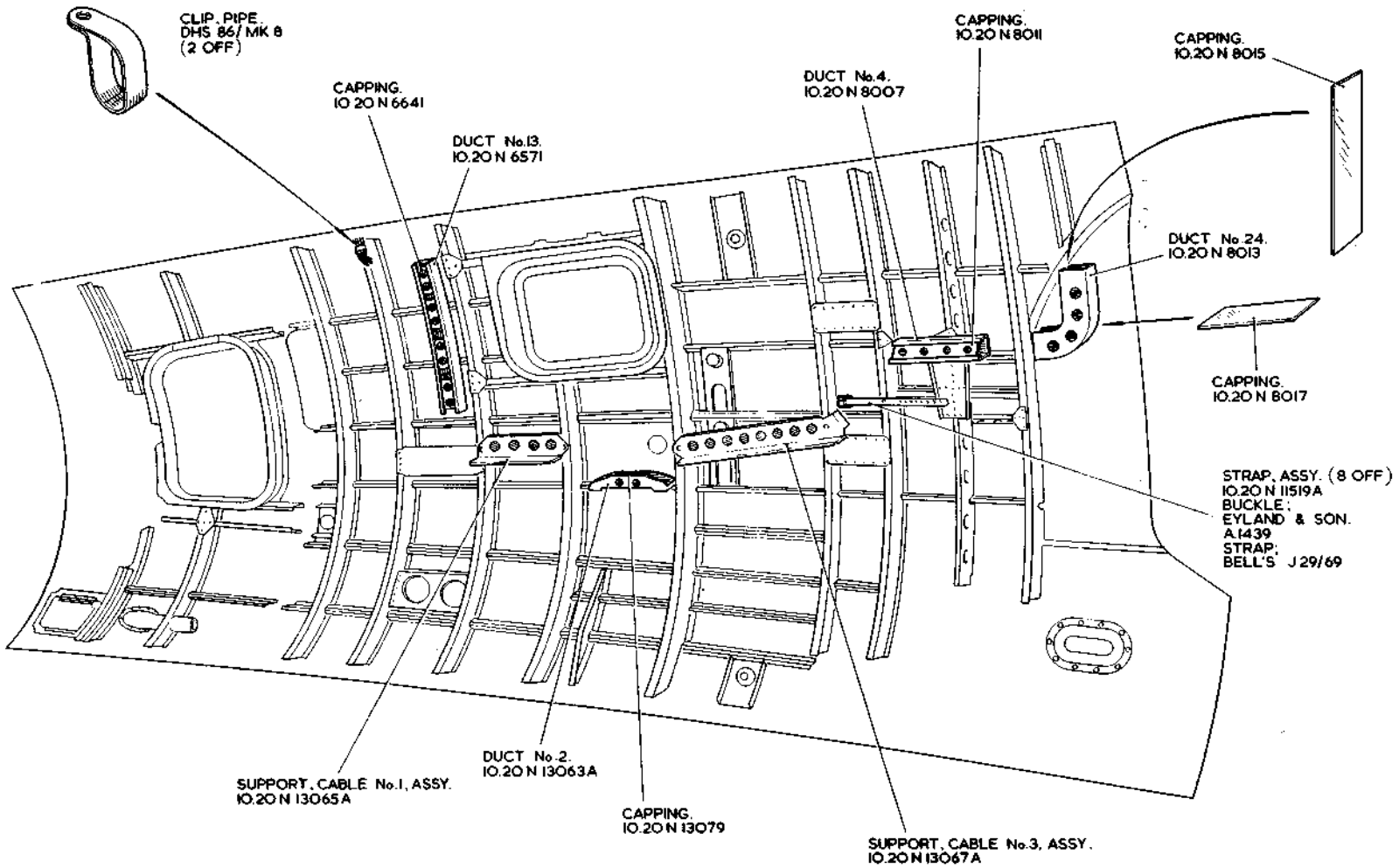
ECZ.8
[A.L. 60]



ECZ.9

ELECTRICAL INSTALLATION
CONDUITS, DUCTING AND ACCESSORIES

ECZ.9
[AL. 60]

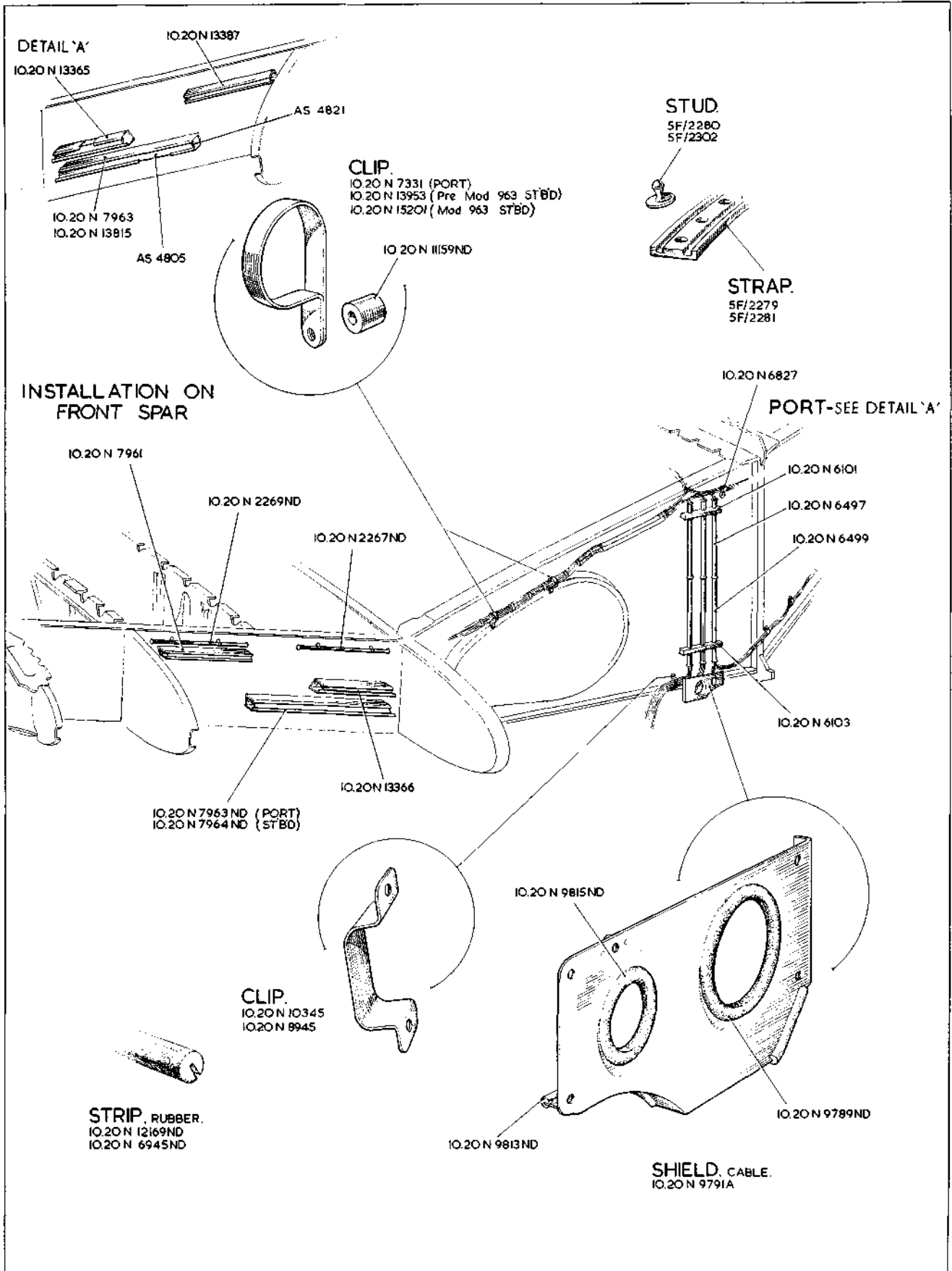


View on Starboard Fuselage Panel

ECZ.10

ELECTRICAL INSTALLATION
CONDUITS, DUCTING AND ACCESSORIES

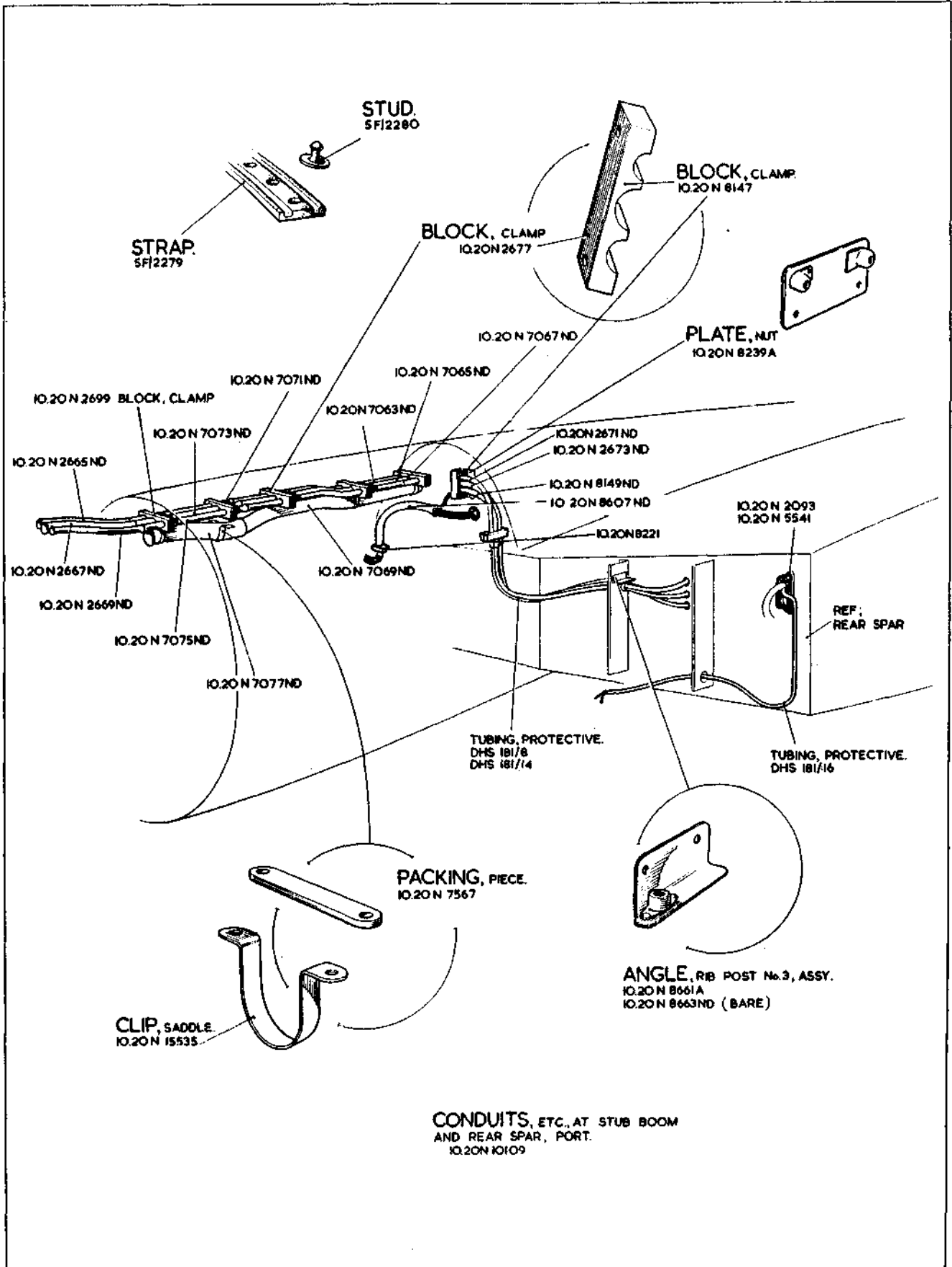
ECZ.10
[AL. 80]



ECZ.11

ELECTRICAL INSTALLATION
CONDUITS, DUCTING AND ACCESSORIES

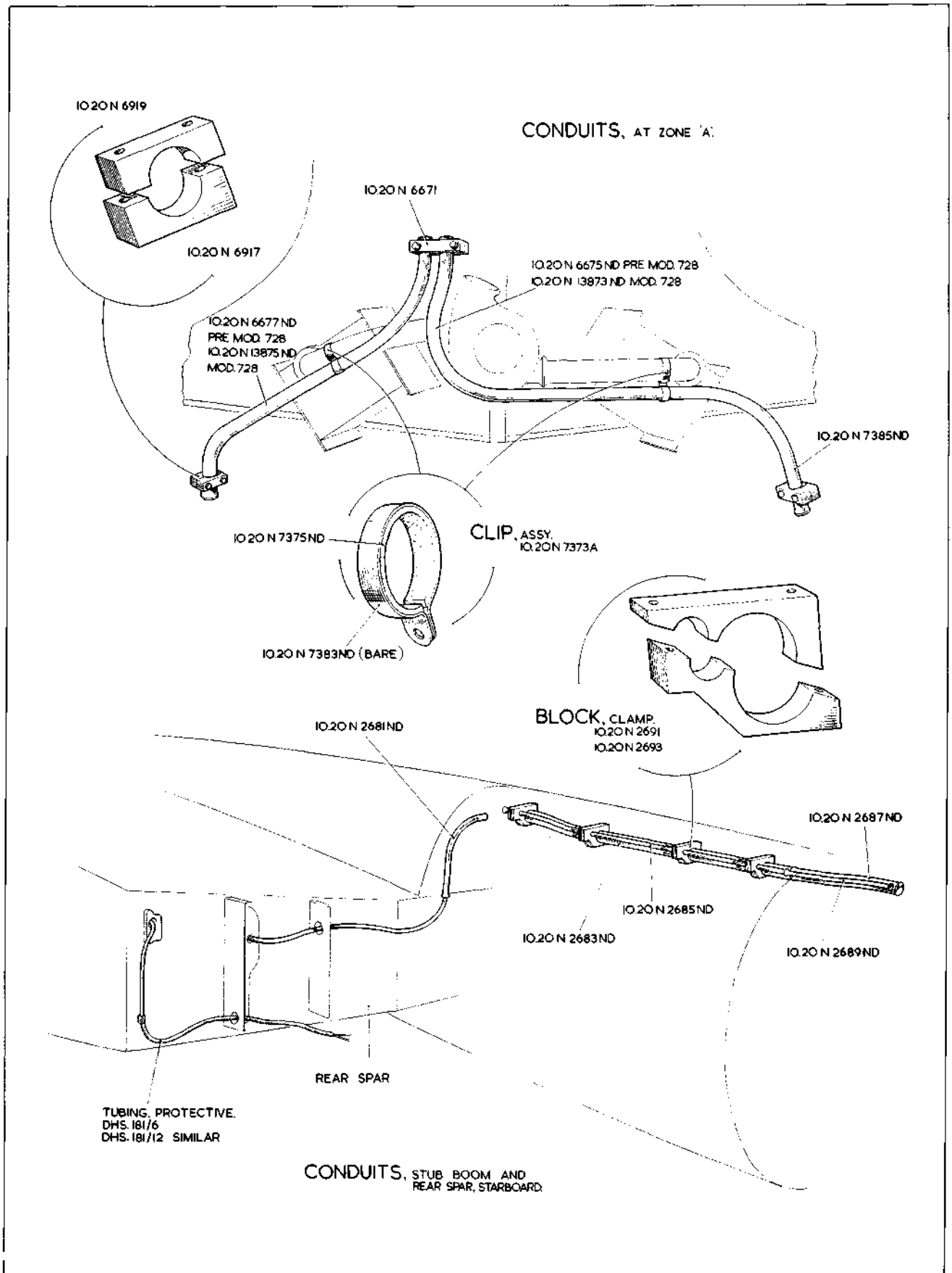
ECZ.11
[A.L. 60]



ECZ.12

ELECTRICAL INSTALLATION
CONDUITS, DUCTING AND ACCESSORIES

ECZ.12
[A.L. 60]

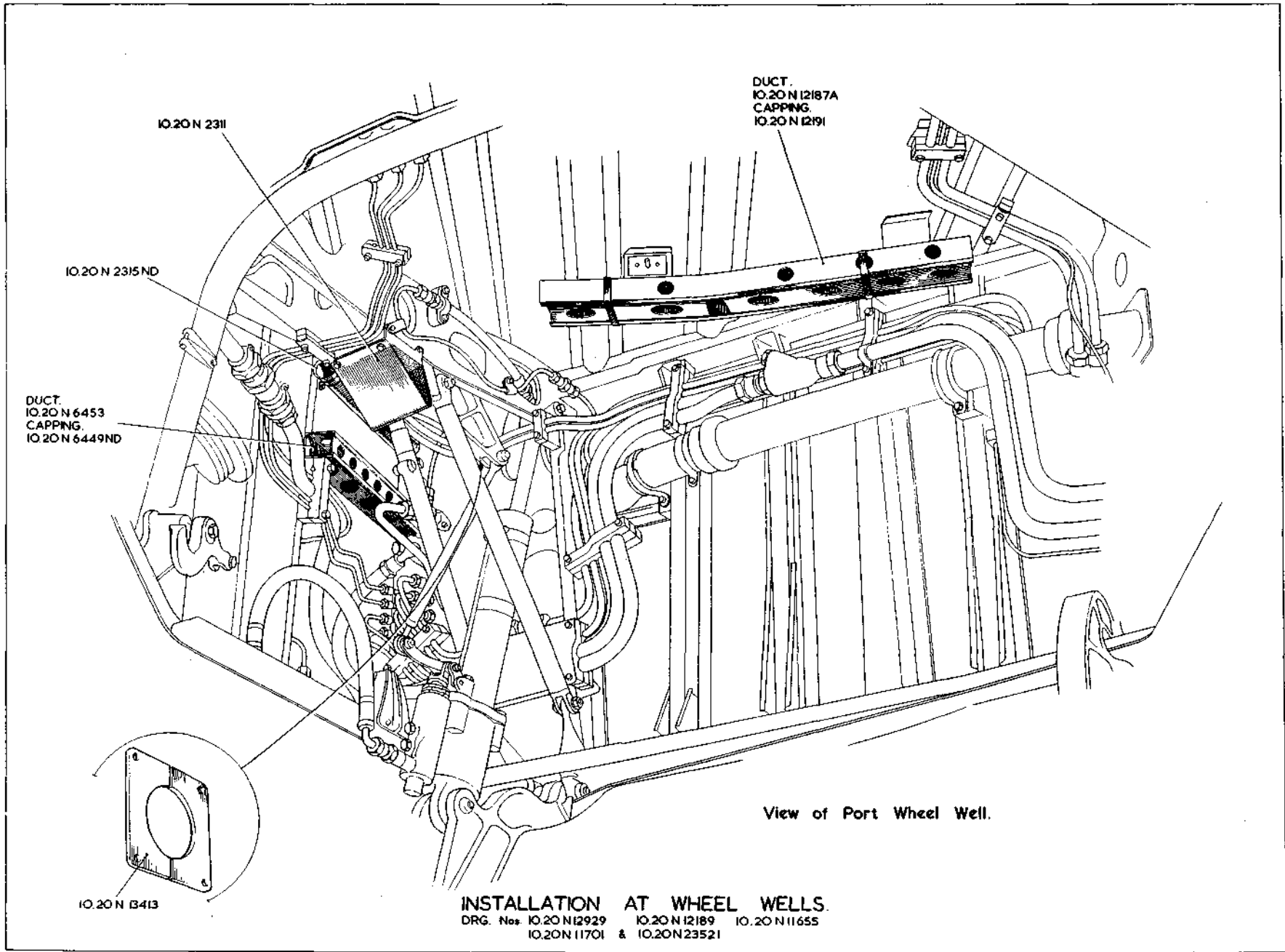


ECZ.13

ELECTRICAL INSTALLATION

CONDUITS, DUCTING AND ACCESSORIES

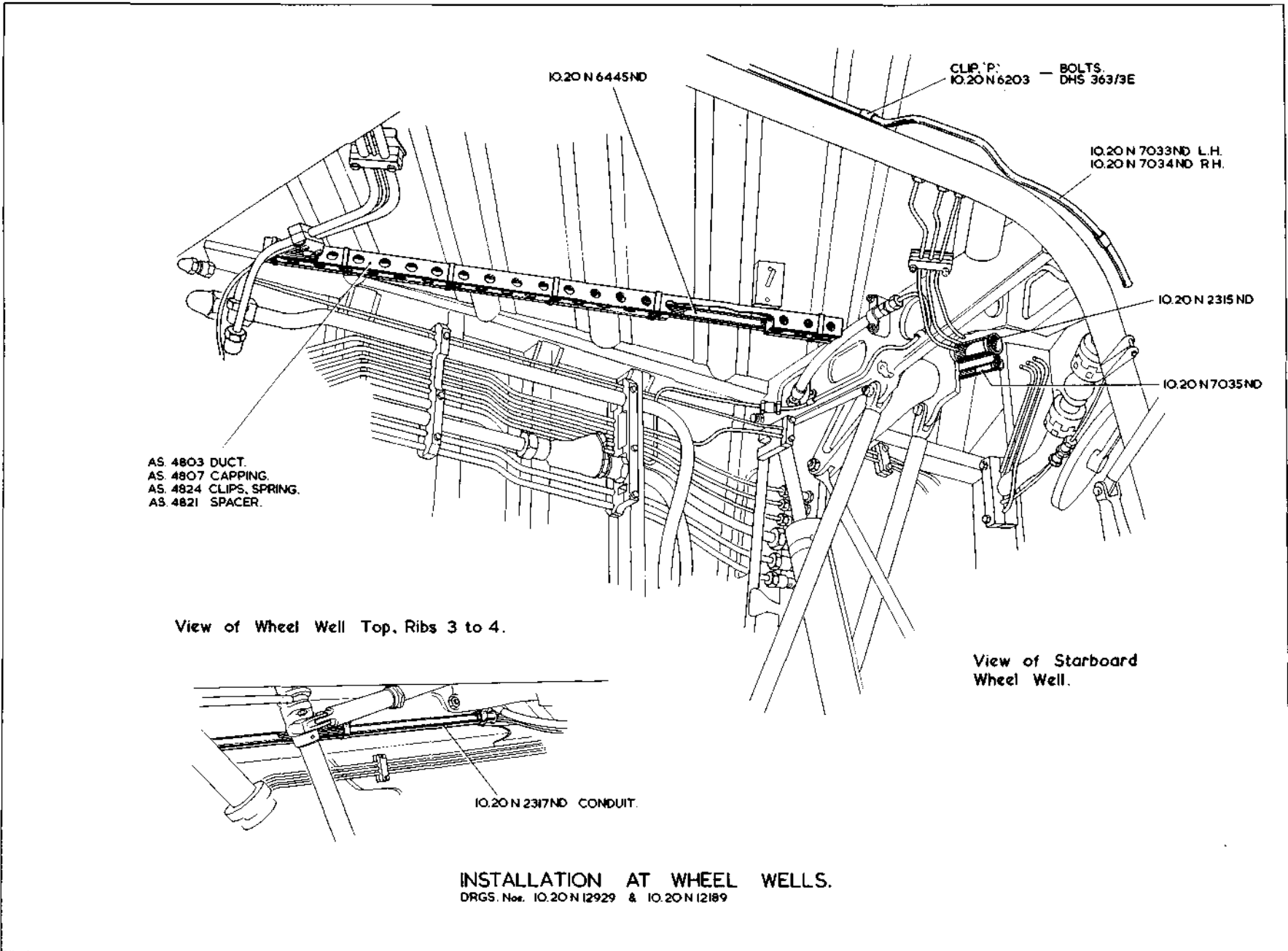
ECZ.13
[A.L. 54]



ECZ.14 **ELECTRICAL INSTALLATION**
CONDUITS, DUCTING AND ACCESSORIES

RESTRICTED

ECZ.14
 [ALL 60]



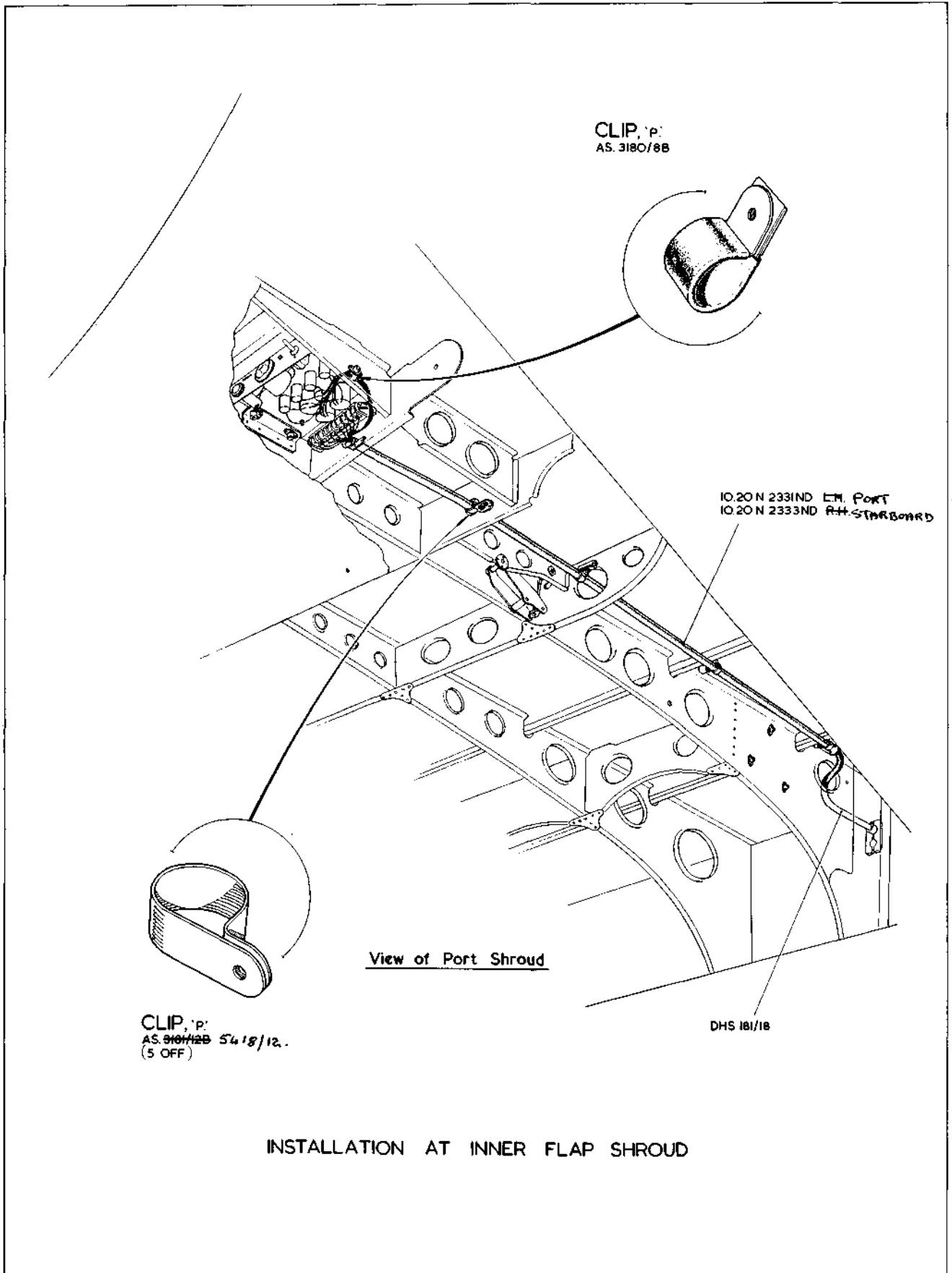
ECZ.15

ELECTRICAL INSTALLATION

ECZ.15

CONDUITS, DUCTING AND ACCESSORIES

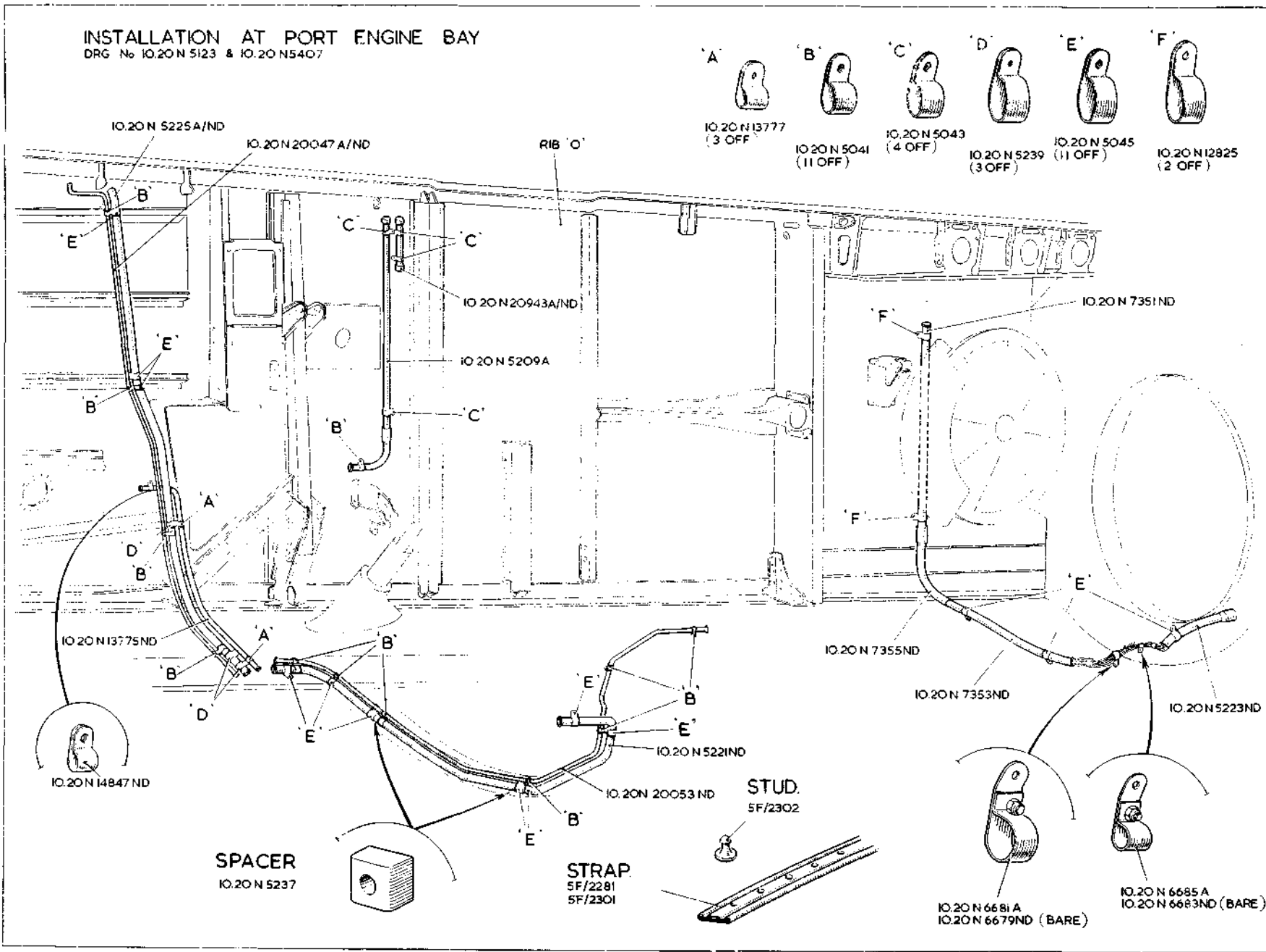
RESTRICTED



INSTALLATION AT PORT ENGINE BAY

DRG No IO.20 N 5123 & IO.20 N 5407

- A' IO.20 N 13777 (3 OFF)
- B' IO.20 N 5041 (11 OFF)
- C' IO.20 N 5043 (4 OFF)
- D' IO.20 N 5239 (3 OFF)
- E' IO.20 N 5045 (11 OFF)
- F' IO.20 N 12825 (2 OFF)

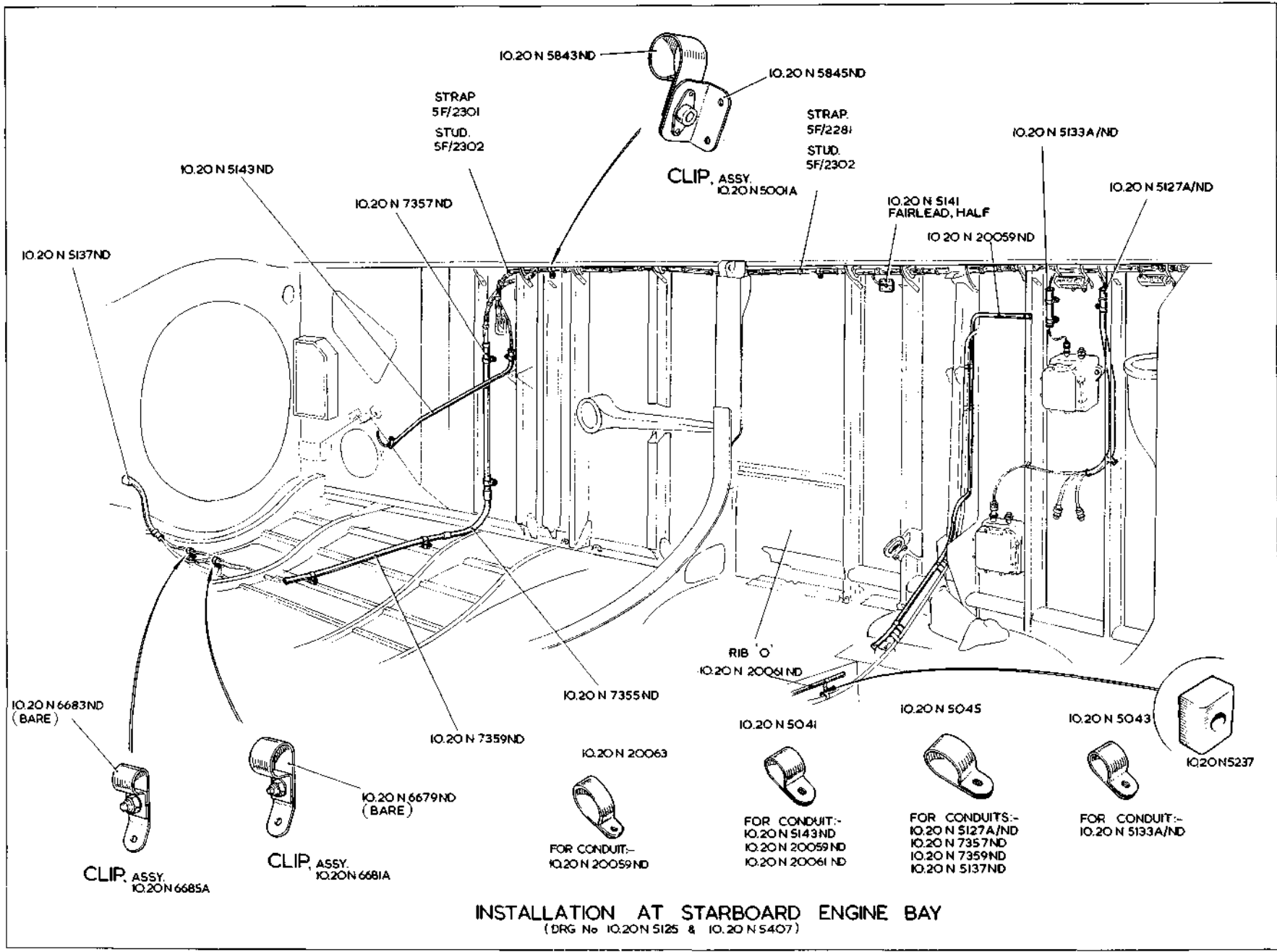


ECZ.17

ELECTRICAL INSTALLATION CONDUITS, DUCTING AND ACCESSORIES

ECZ.17
[A.L. 60]

RESTRICTED



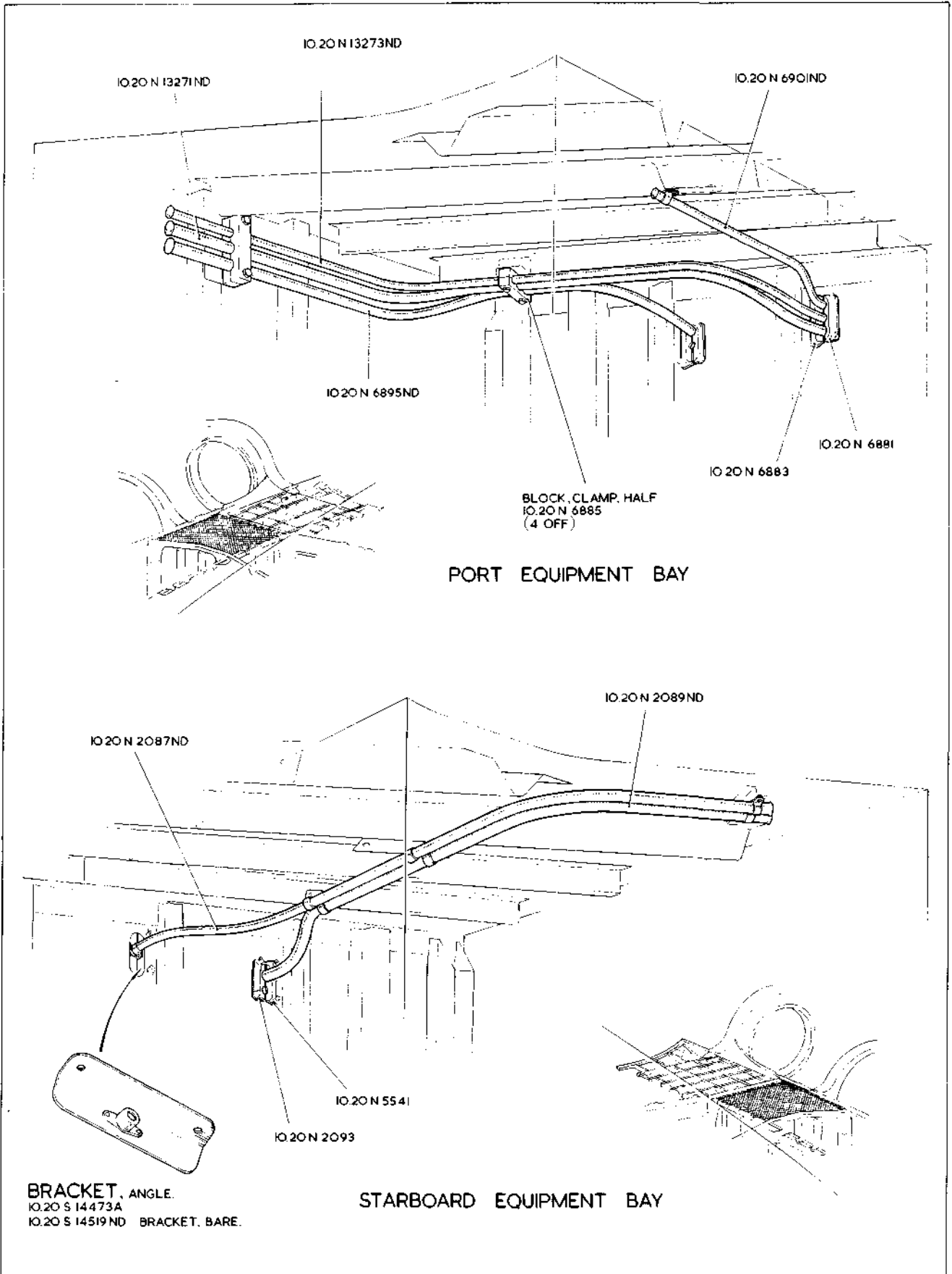
INSTALLATION AT STARBOARD ENGINE BAY
 (DRG No 10.20 N 5125 & 10.20 N 5407)

ECZ.18

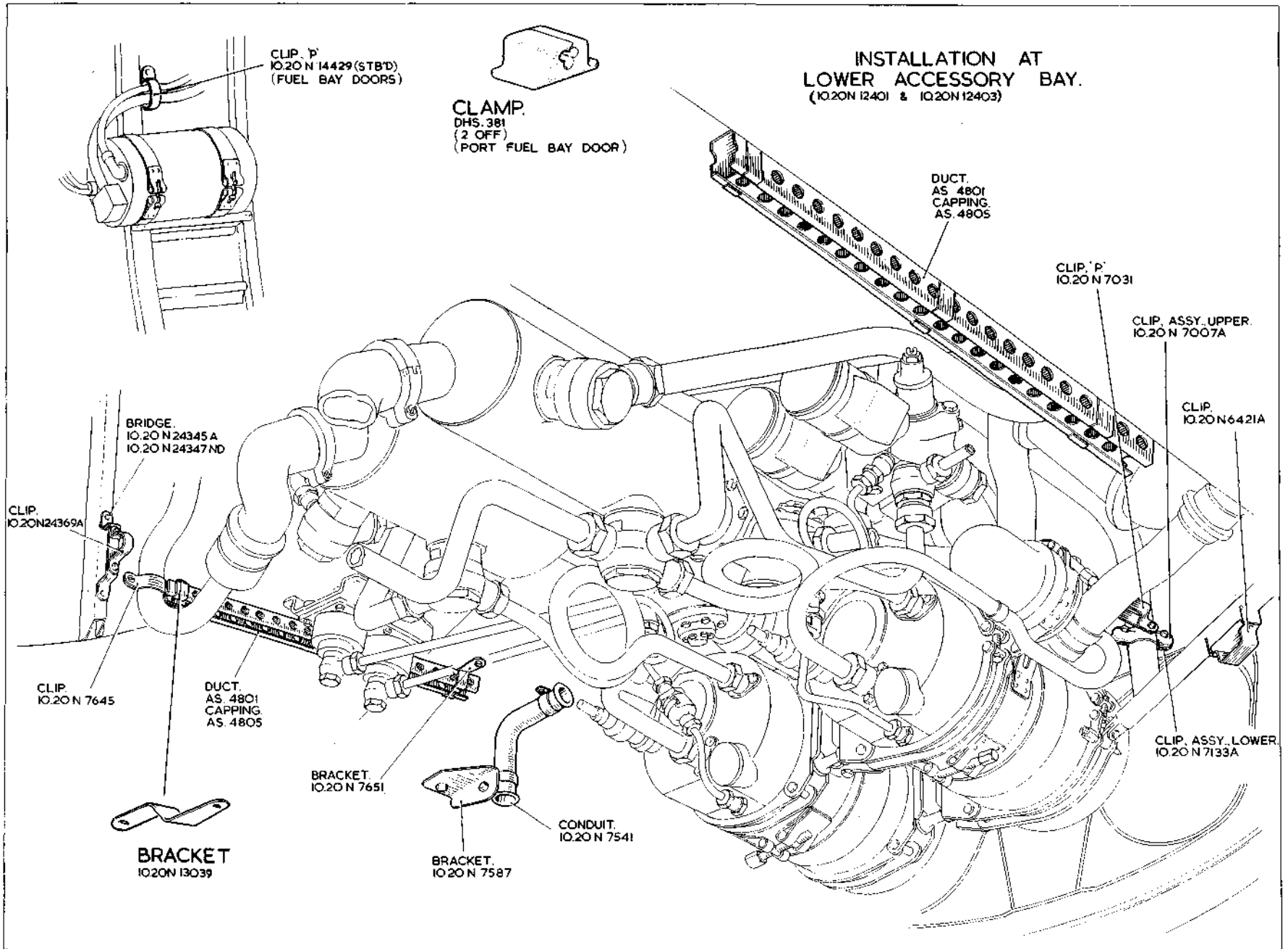
ELECTRICAL INSTALLATION
CONDUITS DUCTING AND ACCESSORIES

ECZ.18
[A.L. 60]

RESTRICTED



INSTALLATION AT LOWER ACCESSORY BAY. (IO.20N 12401 & IO.20N 12403)

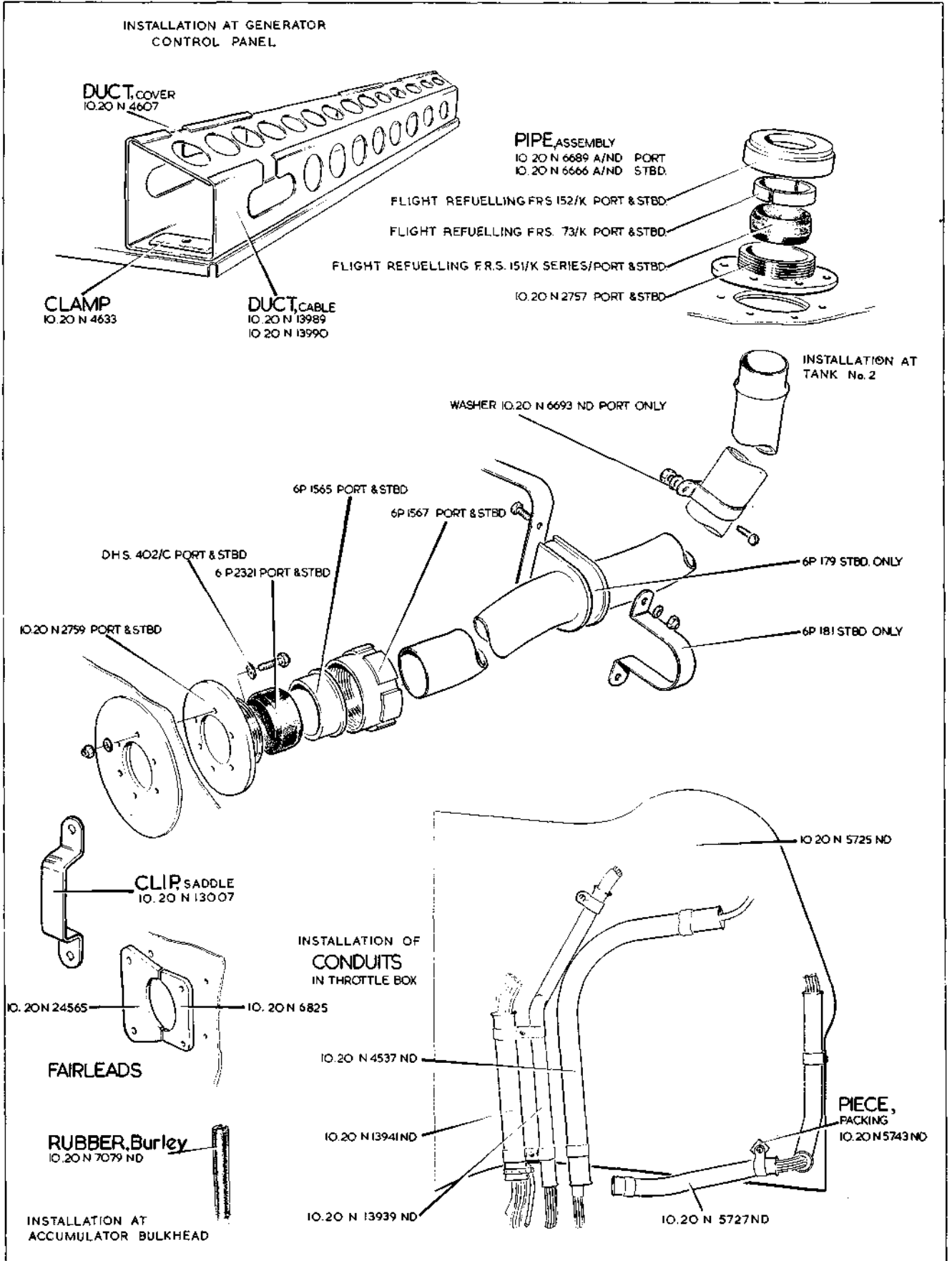


ECZ.20

ELECTRICAL INSTALLATION CONDUITS, DUCTING AND ACCESSORIES

ECZ.20
[A.L. 66]

RESTRICTED



ECZ. 21

**ELECTRICAL INSTALLATION
CONDUITS, DUCTING AND ACCESSORIES**

ECZ. 21

[A.L. 65]

This file was downloaded
from the RTFM Library.

Link: www.scottbouch.com/rtfm

Please see site for usage terms,
and more aircraft documents.

