

**EQUIPMENT, AIRCRAFT
INSTRUMENT PANELS**

Ref. No.	Part No.	Description	No. off	Material Specification	Class of Store or L.M.	Plate No.			
							1	2	3
	—	INSTALLATION OF INSTRUMENT PANELS ... (Drg. Nos. 10-20 F 1153 and 10-20 N 9461)	1	—	—				
	—	BRACKET , support, coupler plug "G.W. TEST" ... (See sub-section BA)	—	—	—				
	—	BRACKET , support, plugs and sockets, coded "B1 to B7," at tension tube, stn. 95"10, group	1	—	—				
	10-20 N 13865A	BRACKET , support, plugs and sockets, assembly... (Mod. 542, Pre Mod. 1101)	1	—	—	FB1			
	10-20 N 13863ND	BRACKET , bare, 18 SWG	1	L.72	LM	FB1			
18979	10-20 N 23843A	BRACKET , support, plugs and sockets, assembly... (Mod. 1101)	1	—	C	FB1			
		Attachments for 10-20 N 13865A or 10-20 N 23843A, Bracket :—							
28M/10288	AGS.2001/C/1	Nut, 2 BA	2	—	C				
28W/9419402	SP.13/C	Washer	2	—	C				
	12926	10-20 FS 13081A							
		CLIP , bracket attachment to tension tube, assembly Attachments for 10-20 FS 13081A, Clip :—	2	—	C	FB1			
28D/1010030	A25/7C	Bolt, 2 BA	1	—	C				
28M/10288	AGS.2001/C/1	Nut, 2 BA	1	—	C				
28W/9419402	SP.13/C	Washer	1	—	C				
	—	CARD , Pilot's instruction (See sub-section FA) ...	—	—	—				
	—	GUARDS , switch on Pilot's switch panel coded "H" (See appropriate electrical sub-section)	—	—	—				
	—	LAMP , high intensity, cockpit, coded "DP" (See sub-section EBL)	—	—	—				
	—	PANEL , fuse, lower, coded "H" (See sub-section EBV)	—	—	—				
	10-20 N 24069A	PANEL , Navigator's and I.F.F., coded "AN," c/w wiring and equipment, assembly (Mod. 1183)	1	—	—	FB1			
	10-20 N 20443A	PANEL , Navigator's and I.F.F., coded "AN," c/w equipment less wiring, assembly (Mod. 1042)	1	—	—	FB1			
	6A/3156	ALTIMETER , Mk. 20C, fluorescent (Mod. 1497) Attachments for Ref. No. 6A/3156, Altimeter :—	1	—	P	FB1			
28D/1214425	AS.4597/5B	Bolt, 4 BA	2	—	C				
28D/1214427	AS.4597/7B	Bolt, 4 BA	2	—	C				
28W/9437455	SP.25/B	Washer	1	—	C				
	—	BRACKET , locking, winkler switch, compass, normal/standby (See sub-section EBA)	—	—	—				
	—	ELECTRICAL COMPONENTS (See appropriate electrical sub-section)	—	—	—				
	—	GUARD , aerial selector switch (See sub-section ECE)	—	—	—				
	—	GUARD , auto tone switch (See sub-section NL)	—	—	—				

**EQUIPMENT, AIRCRAFT
INSTRUMENT PANELS**

Ref. No.	Part No.	Description	No. off										Material Specification	Class of Store or L.M.	Place No.		
			1	2	3	4	5	6	7	8	9	10					
6A/5572	SMITHS INST. 172 AS/PC	INDICATOR , air speed, Mk. 15											1	—	C	FB1	
		Attachments for Ref. No. 6A/5572, Indicator :—															
28D/1214426	AS.4597/6B	Bolt, 4 BA											2	—	C		
28D/1214428	AS.4597/8B	Bolt, 4 BA											2	—	C		
28M/10287	AGS.2001/B/1	Nut, 4 BA											4	—	C		
28W/9419474	SP.15/B	Washer											4	—	C		
5CX/5501	FLIGHT REFUELLING C.4507000/27	INDICATOR , re-fuelling, coded " K "											1	—	P	FB1	
		Attachments for Ref. No. 5CX/5501, Indicator :—															
28D/1214421	AS.4597/1B	Bolt, 4 BA											4	—	C		
28M/10287	AGS.2001/B/1	Nut, 4 BA											4	—	C		
	10-20 N 15611	PLATE , blanking, 20 SWG (Mod. 932)											1	L.73	LM	FB1	
		Attachments for 10-20 N 15611, Plate :—															
28D/1214421	AS.4597/1B	Bolt, 4 BA											4	—	C		
28W/1206041	AGS.2035/B	Washer											4	—	C		
	—	SWITCH , auto-tone, coded " T " (See sub-section NL)											—	—	—		
	—	SWITCH , winker, compass, normal/standby, c/w cables, coded " P " (See sub-section EBA)											—	—	—		
	—	SWITCHES , fuel tank selector, coded " M " and " N "											—	—	—		
	10-20 N 10885A	TIMER , dummy, L.A.B.S., coded " A," assembly (Replaced in service by) :—											1	—	LM	FB1	
	A. W. HAYDON (WATERBURY, CONN. U.S.A.)																
9/4718	442297	TIMER , L.A.B.S., code " A "											1	—	P	FB1	
		Attachments for 10-20 N 10885A, Timer :—															
28D/1214421	AS.4597/1B	Bolt, 4 BA											4	—	C		
	—	UNIT , control, coded " F " (See sub-section NB)											—	—	—		
19348	10-20 N 24103A/ND	PANEL , Navigator's and I.F.F., less wiring and equipment, assembly (Mod. 1183) Spares for :—											1	—	P	FB1	
28M/13774	AGS.2019/B/1 10-20 N 23135ND	NUT , anchor, 4 BA											4	—	C		
		SECTION , " Burley Rubber," $\frac{5}{16}$ " dia. \times $\frac{1}{16}$ " slot \times 3"-0 approx. long											1	—	LM	FB1	
	—	PIPES , on Navigator's and I.F.F. panel (See sub-section QD)											—	—	—		
		Attachments for 10-20 N 24069A, Panel :—															
28D/1214470	AS.3297/1C	Bolt, 2 BA											5	—	C		
	10-20 N 9009A/1	PANEL , Navigator's R.H., coded " N," c/w wiring and equipment, assembly											1	—	—	FB1	
	10-20 N 8831	PANEL , Navigator's R.H., coded " N," c/w equipment less wiring, assembly											1	—	—	FB1	
	—	ELECTRICAL COMPONENTS (See appropriate electrical sub-section)											—	—	—		
	—	INDICATOR , armed time, coded " A " (See sub-section BA)											—	—	—		

**EQUIPMENT, AIRCRAFT
INSTRUMENT PANELS**

Ref. No.	Part No.	Description	No. off	Material Specification	Class of Store or L.M.	Plate No.			
							1	2	3
	10-20 N 14419	LABEL , "GV Armed time indicator," 20 SWG ...	1	L.72	LM	FB1			
	10-20 N 7251	LABEL , "Hydraulic red and green system," 22 SWG	1	Anod. Alum.	LM	FB1			
	10-20 N 20879	LABEL , "Crash relay reset," 22 SWG ...	1	Anod. Alum.	LM	FB1			
		Attachments for 10-20 N 20879, Label :-							
28M/10287	AGS.2001/B/1	Nut, 4 BA ...	2	—	C				
28S/1214139	AS.2991/3B	Screw, 4 BA ...	2	—	C				
14441	10-20 N 7845	LABEL , "Machmeter Test," self adhesive	1	—	C	FB1			
	—	TERMINAL , bonding, group	1	—	—				
28M/9129527	A53/C	NUT , 2 BA ...	1	—	C				
28M/10275	AGS.2001/C/4	NUT , 2 BA ...	1	—	C				
26DV/4968	DHS.457	TERMINAL , bonding	1	—	C	FB1			
		Attachments for DHS.457, Terminal :-							
28M/10287	AGS.2001/B/1	Nut, 4 BA ...	2	—	C				
28S/1009572	AS.2991/5B	Screw, 4 BA ...	1	—	C				
28S/1214143	AS.2991/10B	Screw, 4 BA ...	1	—	C				
28W/9419474	SP.15/B	Washer	2	—	C				
26DV/10901	DHS.458	Washer, corrosion	1	—	C	FB1			
28W/11059	AGS.2037/C	WASHER , shakeproof	1	—	C				
6A/3683	SANGAMO WESTON S.63 Form 4	THERMOMETER , indicator, hydraulic temperature, Type "C" —50°C to +150°C, coded "D" and "E"	2	—	P	FB1			
		Attachments for Ref. No. 6A/3683, Thermometer :-							
28S/1009572	AS.2991/5B	Screw, 4 BA ...	2	—	C				
28S/9435784	AS.2991/7B	Screw, 4 BA ...	2	—	C				
5Q/107	—	VOLTMETER , coded "B" and "C" ...	2	—	P	FB1			
		Attachments for Ref. No. 5Q/107, Voltmeter :-							
28S/1009572	AS.2991/5B	Screw, 4 BA ...	2	—	C				
28S/9435784	AS.2991/7B	Screw, 4 BA ...	2	—	C				
	10-20 F 3809A	PANEL , Navigator's R.H., less wiring and equipment, assembly (Mod. 729, Pre Mod. 722)	1	—	—	FB1			
	10-20 F 4145A	PANEL , Navigator's R.H., less wiring and equipment, assembly (Mod. 722)	1	—	—	FB1			
		Spares for :-							
	10-20 F 3913	ANGLE , attachment, Navigator's arm rest, 20 SWG (Mod. 722)	1	L.72	LM	FB1			
	10-20 F 3915	ANGLE , attachment, Navigator's arm rest, 20 SWG (Mod. 722)	1	L.72	LM	FB1			
	10-20 F 1197ND	DIAPHRAGM , L.H., 20 SWG	1	L.72	LM	FB1			
	10-20 F 1198ND	DIAPHRAGM , R.H., 20 SWG	1	L.72	LM	FB1			
	10-20 N 13841	LABEL , "Tail plane gear change," 20 SWG	1	L.72	LM	FB1			
	10-20 F 1259ND	PLATE , reinforcing, 20 SWG	1	L.72	LM	FB1			
	10-20 F 1199ND	PLATE , reinforcing, corner, 18 SWG	1	L.72	LM	FB1			
	10-20 F 1201ND	PLATE , reinforcing, corner, 18 SWG	1	L.72	LM	FB1			
16785	10-20 F 3917A	PLATE , stud, assembly	1	—	C	FB1			
	10-20 F 1193ND	STIFFENER , 20 SWG	1	L.72	LM	FB1			
	10-20 F 1195ND	STIFFENER , L.H., 18 SWG	1	L.72	LM	FB1			

**EQUIPMENT, AIRCRAFT
INSTRUMENT PANELS**

Ref. No.	Part No.	Description	No. off										Material specification	Class of Score or L.M.	Plate No.	
			1	2	3	4	5	6	7	8	9	10				
	10-20 F 1196ND	STIFFENER, R.H., 18 SWG											1	L.72	LM	FB1
	10-20 F 1203ND	STRAP, 20 SWG											1	L.72	LM	FB1
28D/9436920	A25/1C	Attachments for 10-20 N 9009A/1, Panel :—														
28D/9133011	A25/2C	Bolt, 2 BA											10	—	C	
28W/9419402	SP.13/C	Bolt, 2 BA											2	—	C	
		Washer											12	—	C	
	—	PANEL, PILOT'S ATTACK SIGHT, GROUP ...											1	—	—	
	—	INSTRUMENTS , angle of attack, on P.A.S. panel, Installation (Drg. No. 10-20 N 22007) (Mod. 1053, Pre Mod. 1098)											1	—	—	FB2
16920	10-20 F 4417	BRACKET , indicator mounting											1	—	C	FB2
28D/9133012	A25/3C	Attachments for 10-20 F 4417, Bracket :—														
28D/1213857	AS.3294/21C	Bolt, 2 BA											3	—	C	
		Bolt, 2 BA (For use of existing windscreen bolt, Ref. No. 28D/16670, Part No. AS.3294/ 19C is out of safety)											1	—	C	
28M/10288	AGS.2001/C/1	Nut, 2 BA											3	—	C	
16919	10-20 F 8155ND	Shim, Attewell											QR	—	C	FB2
6747	DHS.775/C/3	Washer (For use with windscreen attachment bolt)											1	—	C	FB2
28W/9419402	SP.13/C	Washer											3	—	C	
	—	ELECTRICAL COMPONENTS (See sub-section ECJ)											—	—	—	
	SPECIALITIES INC. (NEW YORK) SLZ.9086	INDICATOR , incidence, angle of attack, coded "ARB," Type B2C (MS.28067-1)											1	—	—	FB2
28D/12182	AS.1246/6B	Attachments for SLZ.9086, Indicator :—														
	10-20 F 8215A	Bolt, 4 BA											3	—	C	
28M/9434253	AGS.2007/B/1	Plate, nut, assembly											1	—	—	FB2
	10-20 F 8217ND	Nut, anchor, 4 BA											3	—	C	
		Plate, bare, 18 SWG											1	L.72	LM	FB2
	—	PANEL , Pilot's attack sight and display unit mounting, installation (Drg. No. 10-20 F 2725)											1	—	—	
	10-20 F 4435A/ND	BEAM , support and panel, assembly (Mod. 1305) (For spares use 10-20 F 4437A/ND)											1	—	—	FB2
19582	10-20 F 4437A/ND	BEAM , support and panel, assembly (Spares con- dition)											1	—	P	
14064	10-20 F 2787A	BEAM , support, assembly Spares for :—											1	—	P	FB2
	10-20 F 1487A	ANGLE , attachment, assembly											1	—	—	FB2
	10-20 F 1489ND	ANGLE , bare, 18 SWG											1	L.72	LM	FB2
28M/11957	AGS.2007/C/1	NUT , anchor, 2 BA											1	—	C	
	10-20 F 1491ND	PACKING , 16 SWG											1	L.72	LM	FB2
	10-20 F 1517ND	CHANNEL , support, 18 SWG											1	L.72	LM	FB2
28E/9428425	AS.2294/2	CLIP , spring, Type 81											1	—	C	
28M/9434251	AGS.2008/B/1	NUT , anchor, 4 BA											1	—	C	
28M/9435067	AGS.2008/C/1	NUT , anchor, 2 BA											8	—	C	
28M/12421	AGS.2018/C/1	NUT , anchor, 2 BA											1	—	C	

**EQUIPMENT, AIRCRAFT
INSTRUMENT PANELS**

Ref. No.	Part No.	Description	No. off	Material Specification	Class of Store or L.M.	Plate No.			
							1	2	3
29G/4173	CARR FASTENER Co. 550	STUD , " Durable Dot "	1	—	C	FB2			
		Attachments for 550, Stud :—							
28M/10287	AGS.2001/B/1	Nut, 4 BA	1	—	C				
28S/1200066	A33/B20	Screw, 4 BA	1	—	C				
28W/9419486	SP.16/B	Washer	2	—	C				
		Attachments for 10-20 F 2787A, Beam :—							
28D/9133011	A25/2C	Bolt, 2 BA	10	—	C				
5621	A25/4C/DHS.514/D	Bolt, 2 BA	1	—	C	FB2			
28D/1212310	A25/26E	Bolt, 1" BSF	1	—	C				
28M/1006473	A27/CT	Nut, 2 BA	9	—	C				
28M/10288	AGS.2001/C/1	Nut, 2 BA	1	—	C				
28M/10290	AGS.2001/E/1	Nut, 1" BSF	1	—	C				
6603	DHS.66/D	Shim, " Attewell," between beam and bracket	2	—	C	FB2			
	AS.2811/6/188	Tube, distance, 3/8" o/d x 17 SWG x 1"-88 long	1	L.62	LM				
28W/9419402	SP.13/C	Washer	2	—	C				
28W/9418921	SP.13/E	Washer	1	—	C				
	—	BOLT , adjusting and mounting, group ...	1	—	—				
7134	10-20 F 1533	BOLT , 1" BSF, mounting, adjustable ...	2	—	C	FB2			
		(Pre Mod. 993)							
19828	10-20 F 8465	BOLT , special (Mod. 993) (Special Order Only)	2	—	P	FB2			
7132	10-20 F 1519A	MOUNTING , forward, L.H., assembly ...	1	—	C	FB2			
7133	10-20 F 1520A	MOUNTING , forward, R.H., assembly ...	1	—	C	FB2			
		Attachments for 10-20 F 1519A or 10-20 F 1520A, Mounting :—							
28D/9133012	A25/3C	Bolt, 2 BA	4	—	C				
7192	DHS.783/5/16	Washer	4	—	C	FB2			
28M/1007403	A27/ET	NUT , 1" BSF, mounting, adjusting bolt ...	2	—	C				
19829	10-20 F 8467	NUT , knurled (Mod. 993) (Special Order Only)	2	—	P	FB2			
20677	10-20 F 8509ND	SCREW , grub (Mod. 993) (Make from Part No. A55/C5, Ref. No. 28S/13722) (Special Order Only)	2	—	C	FB2			
7218	10-20 F 1795	BOLT , 7/16" UNF, hollow, shouldered ...	1	—	C	FB2			
		Attachments for 10-20 F 1795, Bolt :—							
28M/9416049	A103/LT	Nut, 7/16" UNF, slave (For storage purposes only)	1	—	C				
	10-20 N 13645	BRACKET , mounting, terminal block, aft, 18 SWG	1	L.72	LM	FB2			
		Attachments for 10-20 N 13645, Bracket :—							
28D/9133012	A25/3C	Bolt, 2 BA	2	—	C				
28M/10288	AGS.2001/C/1	Nut, 2 BA	2	—	C				
28W/9419402	SP.13/C	Washer	2	—	C				
	10-20 N 13643	BRACKET , mounting, terminal block, forward, 18 SWG	1	L.72	LM	FB2			
		Attachments for 10-20 N 13643, Bracket :							
28M/10287	AGS.2001/B/1	Nut, 4 BA	2	—	C				
28S/9992522	A32/B16	Screw, 4 BA	2	—	C				
28W/9419465	SP.13/B	Washer	2	—	C				

RESTRICTED
EQUIPMENT, AIRCRAFT
INSTRUMENT PANELS

Ref. No.	Part No.	Description	No. off	Material Specification	Class of Store or L.M.	Plate No.			
							1	2	3
	—	ELECTRICAL COMPONENTS (See appropriate electrical sub-section)	—	—	—				
12074	10-20 F 1521A/1	MOUNTING , rear, P.A.S. display unit ... (Pre Mod. 730)	1	—	P	FB2			
15955	10-20 F 3739A	MOUNTING , rear, P.A.S. display unit ... (Mod. 730)	1	—	P	FB2			
28N/13513	HOFFMANN CJ.5	Spares for :— JOINT , self aligning ... Attachments for 10-20 F 1521A/1 or 10-20 F 3739A, Mounting :—	1	—	C	FB2			
28D/9133012	A25/3C	Bolt, 2 BA ...	3	—	C				
28E/9144901	AS.3180/10C	Clip, "P" ...	1	—	C				
28M/10288	AGS.2001/C/1	Nut, 2 BA ...	3	—	C				
7221	10-20 F 1531ND	Shim (Shape to suit top flange of mounting) ...	QR	—	C	FB2			
28W/9419402	SP.13/C	Washer ...	3	—	C				
19580	10-20 F 8533A	PANEL , bare, assembly (Mod. 1305) ... Spares for :—	1	—	C	FB2			
	10-20 M 891	BOLLARD ...	1	—	—	FB2			
	DHS.1058/1	BOLT , anchor, 4 BA ...	1	—	LM	FB2			
	10-20 FC 1695	HOUSING , canopy jettison lever ... (Ref. Drg. No. 10-20 F 3881)	1	—	—	FB2			
19581	10-20 N 24063A	PIN , stowage, camera socket, assembly ... (Mod. 1305)	1	—	C	FB2			
29G/4137	CARR FASTENER Co. 759	STUD , "Durable Dot" ... Attachments for 759, Stud :—	6	—	C	FB2			
28D/1007468	AS.1242/3B	Bolt, 4 BA, L.H. end of panel ...	1	—	C				
28D/1007285	AS.1242/1B	Bolt, 4 BA, R.H. end of panel ...	1	—	C				
28M/10327	AGS.2002/B/1	Nut, 4 BA ...	1	—	C				
28D/9133011	A25/2C	Attachments for 10-20 F 8533A, Panel :— Bolt, 2 BA ...	4	—	C				
4926	A25/2E/DHS.514/D	Bolt, 1" BSF ...	2	—	C	FB2			
28M/10328	AGS.2002/C/1	Nut, 2 BA ...	2	—	C				
	10-20 F 897ND	Packing, between panel and longeron, 18 SWG	1	L.16	LM	FB2			
19562	10-20 F 1187ND	Shim, between panel and longeron, "Attewell"	QR	—	C	FB2			
28W/9419454	SP.10/C	Washer ...	4	—	C				
28W/9418920	SP.10/E	Washer ...	2	—	C				
7219	10-20 F 1539	PLATE , locating, group ...	1	—	—				
28E/1200546	AS.3180/5C	BOLT , 1" BSF, grooved, locating ...	2	—	C	FB2			
	10-20 F 1537	CLIP , "P," at L.H. plate ...	1	—	C				
	10-20 F 1538	PLATE , locating, L.H., 12 SWG ...	1	L.72	LM	FB2			
		PLATE , locating, R.H., 12 SWG ...	1	L.72	LM	FB2			
		Attachments for 10-20 F 1537 or 10-20 F 1538, Plate :—							
28D/9419452	A25/3B	Bolt, 4 BA, L.H., plate ...	1	—	C				
28D/1008149	A25/2B	Bolt, 4 BA, R.H., plate ...	1	—	C				
28D/1218385	AS.1248/2B	Bolt, 4 BA ...	1	—	C				
28M/10287	AGS.2001/B/1	Nut, 4 BA ...	2	—	C				
28W/9419465	SP.13/B	Washer ...	2	—	C				

**EQUIPMENT, AIRCRAFT
INSTRUMENT PANELS**

Ref. No.	Part No.	Description	No. off	Material Specification	Class of Score or L.M.	Plate No.			
							1	2	3
12555	10-20 F 2987	MOUNTING , instrument panel, top, L.H. ...	1	—	C	FB3			
		Attachments for 10-20 F 2987, Mounting :—							
28D/1200119	A25/4C	Bolt, 2 BA	1	—	C				
28M/10288	AGS.2001/C/1	Nut, 2 BA	1	—	C				
28W/9419454	SP.10/C	Washer	1	—	C				
11902	10 F 401A	PLATE , suspension, assembly (Pre Mod. 1500)	2	—	C	FB3			
20161	10-22 F 509A	PLATE , suspension, assembly (Mod. 1500) ...	2	—	C	FB3			
		Spares for :—							
20162	10-22 F 505	STUD	2	—	C	FB3			
28R/13502	AS.111	PULLEY , ball bearing	1	—	C	FB3			
		Attachments for AS.111, Pulley :—							
28D/1008145	A25/6E	Bolt, 1/4" BSF	1	—	C				
28M/1011467	A27/ES	Nut, 1/4" BSF	1	—	C				
28P/9527619	SP.90/C7	Pin, split (SP.9/C8)	1	—	C				
	AS.2806/4/035	TUBE , distance, cable guard, 1/4" o/d x 22 SWG x 0".35 long	1	T.35 or T.45	LM				
		Attachments for AS.2806/4/035, Tube :—							
28D/9133013	A25/5C	Bolt, 2 BA	1	—	C				
28M/5808573	A27/CS	Nut, 2 BA	1	—	C				
28P/9527619	SP.90/C7	Pin, split (SP.9/C8)	1	—	C				
	10-20 N 24879A	PANEL , Pilot's instruments, coded "B," c/w wiring and equipment, assembly (Mod. 1549, Pre Mod. 1500)	1	—	—	FB3			
	10-22 N 3789A	PANEL , Pilot's instruments, coded "B," c/w wiring and equipment, assembly (Mods. 1500; 1549)	1	—	—	FB3			
	10-20 N 13403	PANEL , Pilot's instruments, coded "B," c/w equipment, less wiring, assembly (Mod. 657)	1	—	—	FB3			
6A/9669	—	ALTIMETER , fluorescent, Mk. 28 (Mod. 1549)	1	—	P	FB3			
		Attachments for Ref. No. 6A/9669, Altimeter :—							
20742	10-20 N 24801A	Plate, nut, assembly	1	—	C	FB3			
28S/19606	AS.2993/9B	Screw, 4 BA	4	—	C				
	—	ELECTRICAL COMPONENTS (See appropriate electrical sub-section)	—	—	—				
6A/4773	—	GAUGE , fuel contents, fluorescent, coded "F" and "G"	2	—	P	FB3			
		Attachments for Ref. No. 6A/4773, Gauge :—							
28S/19510	AS.2993/7B	Screw, 4 BA	4	—	C				
	—	INDICATOR , air brake, coded "L," group	1	—	—				
6A/—	SMITHS INST. STD.1503	CLAMP , instrument, securing	1	—	—	FB3			
	SMITHS INST.								
6A/5063	3HSD	INDICATOR , air brake	1	—	P	FB3			
28S/15867	AS.2993/7A	SCREW , 6 BA	1	—	C				

INSTRUMENT PANELS

Ref. No.	Part No.	Description	No. off	Material Specification	Class of Store or L.M.	Plate No.			
							1	2	3
6A/5572	SMITHS INST. 172 AS/PC	INDICATOR , air speed, Mk. 15	1	—	P	FB3			
28M/10287	AGS.2001/B/1	Attachments for Ref. No. 6A/5572, Indicator:—							
28S/—	AS.2993/10B	Nut, 4 BA	4	—	C				
28W/9419474	SP.15/B	Screw, 4 BA	4	—	—				
		Washer	4	—	C				
6A/3283	—	INDICATOR , angle of attack, coded "W,"	1	—	—				
6A/7309	—	group							
	10-20 N 24051	CLAMP , instrument securing	1	—	C				
		INDICATOR , angle of attack	1	—	P	FB3			
		PLATE , blanking, 18 SWG (For use when	1	L.72	LM	FB3			
		indicator is not fitted)							
		Attachments for 10-20 N 24051, Plate:—							
28M/10287	AGS.2001/B/1	Nut, 4 BA	1	—	C				
28S/—	AS.2993/8B	Screw, 4 BA	1	—	—				
28W/9419474	SP.15/B	Washer	1	—	C				
28S/19606	AS.2993/9B	SCREW , 4 BA	1	—	C				
6A/8766	—	INDICATOR , artificial horizon, Mk. 5, coded	1	—	P	FB3			
		"M"							
		Attachments for Ref. No. 6A/8766, Indicator:—							
28S/9128947	A204/B24	Screw, No. 6 UNC	3	—	C				
6TD/1104	—	INDICATOR , attitude, coded "P"	1	—	P	FB3			
		Attachments for Ref. No. 6TD/1104, Indicator:—							
28S/19559	A204/D18	Screw, No. 10 UNF	4	—	C				
6A/2136	—	INDICATOR , flap, Type A, coded "R"	1	—	P	FB3			
		Attachments for Ref. No. 6A/2136, Indicator:—							
28M/10287	AGS.2001/B/1	Nut, 4 BA	2	—	C				
28S/19606	AS.2993/9B	Screw, 4 BA	2	—	—				
28W/9419474	SP.15/B	Washer	2	—	C				
6A/5639	—	INDICATOR , fuel flowmeter, rate and total,	1	—	P	FB3			
		Mk. 4E, coded "K"							
		Attachments for Ref. No. 6A/5639, Indicator:—							
28S/15067	AS.2993/5B	Screw, 4 BA	3	—	C				

EQUIPMENT, AIRCRAFT
INSTRUMENT PANELS

Ref. No.	Part No.	Description										No. off	Material Specification	Class of Score or L.M.	Plate No.
		1	2	3	4	5	6	7	8	9	10				
6B/2656	—	INDICATOR , heading, Type A, coded "N"										1	—	P	FB3
28S/121450	AS.2991/10C	Attachments for Ref. No. 6B/2656, Indicator :—													
28S/19560	AS.2993/8C	Screw, 2 BA										2	—	C	
		Screw, 2 BA										2	—	C	
10Q/73	—	INDICATOR , radio altimeter, Type 10 ...										1	—	P	FB3
28S/19606	AS.2993/9B	Attachments for Ref. No. 10Q/73, Indicator :—													
		Screw, 4 BA										4	—	C	
6A/5845	—	INDICATOR , rate of climb (Pre Mod. 1519)										1	—	P	
6A/7677	—	INDICATOR , rate of climb, Mk. 3Q, fluorescent (Mod. 1519)										1	—	P	FB3
		Attachments for Ref. No. 6A/7677, or Ref. No. 6A/5845, Indicator :—													
28S/19606	AS.2993/9B	Screw, 4 BA										4	—	C	
	OR														
28S/9993237	A204/B28	Screw, No. 6 UNC										4	—	C	
6A/6618	—	INDICATOR , slip										1	—	P	FB3
		Attachments for Ref. No. 6A/5421 or 6A/6618, Indicator :—													
28S/9998419	A204/B20	Screw, No. 6 UNC										2	—	C	
6A/6101	SMITHS INST. 842/FL	INDICATOR , tailplane, coded "S"										1	—	P	FB3
28S/19606	AS.2993/9B	Attachments for Ref. No. 6A/6101, Indicator :—													
		Screw, 4 BA										2	—	C	
10Q/16355	—	INDICATOR , T.A.C.A.N., Type 9547 ...										1	—	P	FB3
		Attachments for Ref. No. 10Q/16355, Indicator :—													
28S/19510	AS.2993/7B	Screw, 4 BA										4	—	C	
10Q/61	—	INDICATOR , "Violet picture," Type 7, coded "V"										1	—	P	FB3
		Attachments for Ref. No. 10Q/61, Indicator :—													
20165	10-22 N 3201A/ND	Bolt, assembly (Mod. 1500)										2	—	C	FB3
20166	10-22 N 3203A/ND	Bolt, assembly (Mod. 1500)										2	—	C	FB3
17278	10-20 N 20733A	Plate, nut, assembly										1	—	C	FB3
17277	10-20 N 20903	Ring, backing:(For Mod. 657 Pre Mod. 1500 panel)										1	—	C	FB3
19896	10-22 N 3021	Ring, distance (Mod. 1500)										1	—	C	FB3
17276	10-20 N 20735	Screw, 6 BA (For Mod. 657 Pre Mod. 1500 panel)										4	—	C	FB3
6A/3300	—	MACHMETER , Mk. 3A										1	—	P	FB3
		Attachments for Ref. No. 6A/3300, Machmeter :—													
28S/19606	AS.2993/9B	Screw, 4 BA										2	—	C	

**EQUIPMENT, AIRCRAFT
INSTRUMENT PANELS**

Ref. No.	Part No.	Description										No. off	Material Specification	Class of Store or L.M.	Plate No.
		1	2	3	4	5	6	7	8	9	10				
	—	TACHOMETERS , engine speed, coded " B " and " C," group										1	—	—	
6A/3823	—	CLAMP , instrument securing										2	—	C	
28S/19606	AS.2993/9B	SCREW , 4 BA										2	—	—	
6A/3251	—	TACHOMETER , engine speed, Mk. 11										2	—	P	FB3
	—	THERMOMETERS , exhaust gas, coded " D " and " E " group										1	—	—	
6A/3823	—	CLAMP , instrument securing										2	—	C	
28S/19606	AS.2993/9B	SCREW , 4 BA										2	—	—	
6A/4984	—	THERMOMETER , exhaust gas										2	—	P	FB3
20736	10-20 N 24785A	PANEL , Pilot's instruments, less wiring and equipment, assembly (Mod. 1549, Pre Mod. 1500)										1	—	P	FB3
20808	10-22 N 3781A	PANEL , Pilot's instruments less wiring and equipment, assembly (Mods. 1500 and 1549) Spares for :—										1	—	C	FB3
19897	10-22 N 3015	BLOCK , serrated										4	—	C	FB3
28D/1007285	AS.1242/1B	Attachments for 10-22 N 3015, Block :— Bolt , 4 BA										2	—	C	
17330	10-20 F 8173A	BRACKET , adapter, hose connection instrument piping, assembly (Pre Mod. 1500) Spares for :—										1	—	C	FB3
	10-20 F 843	ADAPTER , hose										1	DTD.372	—	FB3
11020	10-20 F 2283	ADAPTER , hose										1	—	C	FB3
		Attachments for 10-20 F 8173A, Bracket :—													
28M/10286	AGS.2001/A/1	Nut , 6 BA										4	—	C	
28S/1200060	A33/A16	Screw , 6 BA										4	—	C	
	—	PIPES , on Pilot's instrument panel (See sub-section QD)										—	—	—	
20737	10-20 N 24783	PANEL , plastec, Pilot's instrument panel, coded " B " (Mod. 1549)										1	—	C	FB3
	—	PANEL, PILOTS, R.H., GROUP										1	—	—	
7661	10-20 FS 10491A	CLIP , panel attachment to tension tube at station 95"10, assembly										2	—	C	FB5
		Attachments for 10-20 FS 10491A, Clip :—													
28D/1010030	A25/7C	Bolt , 2 BA										1	—	C	
28M/10328	AGS.2002/C/1	Nut , 2 BA										1	—	C	
28W/9419454	SP.10/C	Washer										1	—	C	
	10-20 N 23107A	PANEL , Pilot's R.H., coded " D," c/w wiring and equipment, assembly (Mod. 1000, Pre Mod. 803)										1	—	—	FB5
	10-20 N 23079A	PANEL , Pilot's R.H., coded " D," c/w wiring and equipment, assembly (Mods. 1000 and 803)										1	—	—	FB5
	—	ELECTRICAL COMPONENTS (See appropriate electrical sub-section)										—	—	—	

**EQUIPMENT, AIRCRAFT
INSTRUMENT PANELS**

Ref. No.	Part No.	Description	No. off	Material Specification	Class of Store or L.M.	Plate No.			
							1	2	3
	10-20 N 23137A	PANEL , Pilot's R.H., coded "D," c/w equipment less wiring, assembly (Mod. 1000)	1	—	—	FB5			
6A/4245	—	ALTIMETER , fluorescent, Mk. 21	1	—	P	FB5			
6A/4246	—	Attachments for Ref. No. 6A/4245, Altimeter :— Plate, adaptor	1	—	P				
28S/19510	AS.2993/7B	Screw, 4 BA	4	—	—				
28VV/9419486	SP.16/B	Washer	4	—	C				
6D/2237	—	GAUGE , oxygen, fluorescent, Mk. 4	1	—	P	FB5			
28S/9128947	A204/B24	Attachments for Ref. No. 6D/2237, Gauge :— Screw, No. 6 UNC	4	—	C				
28VV/9419486	SP.16/B	Washer (Fit between panel and gauge)	4	—	C				
	—	SWITCH , fuel gauge test, coded "C" (See sub-section EAQ)	—	—	—				
	—	SWITCH , setting, Pilot's attack sight (See sub-section BB)	—	—	—				
	—	TERMINAL , bonding, group (See sub-section EBL)	—	—	—				
17777	10-20 N 22805A	PANEL , Pilot's R.H., less wiring and equipment, assembly	1	—	C	FB5			
26DL/7354	DHS.180 Mk. 1/X	Spare for :— TAG	1	—	C	FB5			
28D/1013284	AS.1248/2C	Attachments for 10-20 N 23107A or 10-20 N 23079A, Panel :— Bolt, 2 BA	4	—	C				
28M/1006473	A27/CT	Nut, 2 BA	2	—	C				
28VV/9419404	SP.16/C	Washer	2	—	C				
28W/1006946	AGS.2035/C	Washer, shakeproof	2	—	C				
17637	10-20 N 22023	PANEL , plastec, Pilot's R.H., panel, coded "D" lower portion	1	—	C	FB5			
17636	10-20 N 22021	PANEL , plastec, Pilot's R.H. panel, coded "D" upper portion	1	—	C	FB5			
	—	PANEL, PILOT'S SWITCHES, UPPER AND REAR GUARD, GROUP	1	—	—				
	—	GUARD , rear, panel coded "H," installation (Drg. No. 10-20 N 23275A) (Mod. 927)	1	—	—				
17846	10-20 N 20759A	GUARD , rear, assembly	1	—	C	FB4			
	10-20 N 23295ND	Spare for :— SECTION , "Burley Rubber," $\frac{1}{8}$ " dia. x 0"1 slot x 56"0 long approx.	1	—	LM	FB4			
28D/8337	AS.1248/1B	Attachments for 10-20 N 20759A, Guard :— Bolt, 2 BA	2	—	C				
28D/1218385	AS.1248/2B	Bolt, 2 BA	1	—	C				
17847	10-20 N 23273	Washer, saddle, under bolt head at lower attachment	1	—	C	FB4			
	10-20 R 3381	LEAD , bonding, flexible, assembly (Ref. Drg. No. 10-20 N 9939)	1	—	LM	FB4			
5K/1489	PLESSEY 16/4"/.0048	BRAID , flexible, tinned copper	QR	—	C				
5X/3242	—	PIN , plug, single, 19 amp.	1	—	C				
5X/3146	—	SLEEVE , adapter	1	—	C				
5X/6793	ERMA 12310	TERMINATION , lug	1	—	C				

**EQUIPMENT, AIRCRAFT
INSTRUMENT PANELS**

Ref. No.	Part No.	Description	No. off	Material Specification	Class of Store or L.M.	Place No.			
							1	2	3
	10-20 N 15781	PANEL, Pilot's switches, upper, coded "H," c/w wiring and equipment, assembly (Mod. 702, Pre Mod. 803)	1	—	—	FB4			
	10-20 N 24101A	PANEL, Pilot's switches, upper, coded "H," c/w wiring and equipment, assembly (Mods. 1265 and 803)	1	—	—	FB4			
	—	CABLE, coded "H.DB-11" (See sub-section EBF)	—	—	—				
	10-20 N 15777	PANEL, Pilot's switches, upper, coded "H," c/w equipment less wiring, assembly (Mod. 702, Pre Mod. 803)	1	—	—	FB4			
	10-20 N 22227A	PANEL, Pilot's switches, upper, coded "H," c/w equipment less wiring, assembly (Mods. 1053 and 803)	1	—	—	FB4			
	—	BOX, control, airstream direction detector, coded "ABS" (See sub-section ECJ)	—	—	—				
	10-20 N 11971	BRACKET, mounting, cockpit floodlight lamp, coded "DK," 18 SWG	1	L.72	LM	FB4			
	10-20 N 11937	BRACKET, mounting, high intensity cockpit lamp, coded "DP," 20 SWG	1	L.72	LM	FB4			
28S/12598	AS.2991/5B	Attachments for 10-20 N 11937, Bracket :— Screw, 4 BA	2	—	C				
	—	BRACKET, mounting, c/w switch and resistor, wide band homer (See sub-section NK)	—	—	—				
	10-20 N 13731A	BRACKET, mounting, terminal block, assembly	1	—	—	FB4			
	10-20 N 13729ND	BRACKET, bare, 20 SWG	1	L.72	LM	FB4			
28M/9434251	AGS.2008/B/1	NUT, anchor, 4 BA	2	—	C				
	—	Attachments for 10-20 N 13731A, Bracket :—							
28S/9992522	A32/B16	Screw, 4 BA	2	—	C				
28W/9419465	SP.13/B	Washer	2	—	C				
12237	10-20 N 10943	DUCT, cable	1	—	C	FB4			
	—	Attachments for 10-20 N 10943, Duct :—							
28S/9992522	A32/B16	Screw, 4 BA	4	—	C				
28W/9419465	SP.13/B	Washer	4	—	C				
	—	ELECTRICAL COMPONENTS (See appropriate electrical sub-section)	—	—	—				
1009086	SP.40/A6	GROMMET	4	—	C				
5K/2993	SP.40/A14	GROMMET	2	—	C				
5K/2967	SP.40/A64	GROMMET	1	—	C				
5K/2985	SP.40/C12	GROMMET	1	—	C				
5K/2873	SP.40/E24	GROMMET	1	—	C				
5K/2941	—	MOUNTING, anti-vibration, Type 959	1	—	P	FB4			
10AJ/150	—	Attachments for Ref. No. 10AJ/150, Mounting :—							
28D/9436920	A25/1C	Bolt, 2 BA	3	—	C				
28D/9133011	A25/2C	Bolt, 2 BA	1	—	C				
28M/10288	AGS.2001/C/1	Nut, 2 BA	4	—	C				

EQUIPMENT, AIRCRAFT
INSTRUMENT PANELS

Ref. No.	Part No.	Description	No. off	Material Specification	Class of Store or L.M.	Plate No.			
							1	2	3
	10-20 N 11563A	PANEL , ganged switch, c/w lamps and wiring, assembly	1	—	—	FB4			
	—	ELECTRICAL COMPONENTS (See sub-section EBL)	—	—	—	—			
	10-20 N 20709A	PANEL , ganged switch, assembly	1	—	—	FB4			
	10-20 N 5215	BLOCK , guide, lower	2	LFS.21 or 23	LM	FB4			
	10-20 N 6661A	BLOCK , guide, upper, assembly	1	—	—	FB4			
	10-20 N 5219ND	BLOCK , bare	1	LFS.21 or 23	LM	FB4			
	10-20 N 6659ND	PLATE , 20 SWG	1	L.72	LM	FB4			
	10-20 N 11411	BLOCK , guide, upper	1	LFS.21 or 23	LM	FB4			
17070	10-20 N 15891A	LEVER , operating, assembly Spares for:—	1	—	C	FB4			
	10-20 N 20343ND	BLOCK , packing, "Neoprene rubber," shore hardness 55°-65°, 0"25 x 0"3 x 0"15 thick	1	—	LM	FB4			
		Attachments for 10-20 N 15891A, Lever:—							
7656	10-20 N 5245	Bolt, guide, shouldered, 2 BA	1	—	C	FB4			
7655	10-20 N 5243	Bolt, pivot, shouldered, 2 BA	1	—	C	FB4			
26FC/6726	DHS.69/D	Shim, washer, at guide bolt	3	—	C	FB4			
15583	DHS.775/C/2	Washer, at pivot bolt	1	—	C	FB4			
	10-20 N 6657	PANEL , bare	1	L.72	LM	FB4			
	10-20 N 21049A	PLATE , actuating, assembly... ..	1	—	—	FB4			
28M/9453966	AGS.2008/C/3	NUT , anchor, 2 BA	1	—	C	—			
	10-20 N 21079ND	PLATE , bare, 14 SWG	1	L.72	LM	FB4			
		Attachments for 10-20 N 11563A, Panel:—							
	10-20 N 7315	Nut, 2 BA; (Make from Ref. No. 28M/9403519)	2	—	LM	FB4			
28M/10328	AGS.2002/C/1	Nut, 2 BA;	2	—	C	—			
28S/9135205	A33/C28	Screw, 2 BA	4	—	C	—			
28W/1006946	AGS.2035/C	Washer, shakeproof	2	—	C	—			
17849	10-20 N 20687A	PILLAR , support, rear guard, lower, assembly (Mod. 927)	1	—	C	FB4			
		Attachments for 10-20 N 20687A, Pillar:—							
28D/8337	AS.1248/1B	Bolt, 4 BA;	2	—	C	—			
17848	10-20 N 20689A	PILLAR , support, rear guard, upper, assembly (Mod. 927)	2	—	C	FB4			
		Attachments for 10-20 N 20689A, Pillar:—							
28S/1200066	A33/B20	Screw, 4 BA	2	—	C	—			
	—	PLATE , blanking, when airstream direction detector is not fitted (See sub-section ECJ)	—	—	—	—			
	—	PLATE , mounting, c/w terminal block, coded "DA" (See sub-section EAQ)	—	—	—	—			
	—	SELECTOR , cabin temperature, coded "BD" (See sub-section EBF)	—	—	—	—			
26DV/4968	DHS.457	TERMINAL , bonding, assembly... ..	1	—	C	FB4			
		Attachments for DHS.457, Terminal:—							
28M/10274	AGS.2001/B/4	Nut, 4 BA;	2	—	C	—			
28S/9134013	A45/B14	Screw, 4 BA	2	—	C	—			
26DV/10901	DHS.458	Washer, corrosion	1	—	C	—			

**EQUIPMENT, AIRCRAFT
INSTRUMENT PANELS**

Ref. No.	Part No.	Description	No. off	Material Specification	Class of Store or L.M.	Plate No.			
							1	2	3
	10-20 N 15775A	PANEL , Pilot's switches, upper, less wiring and equipment, assembly (Mod. 702) (Pre Mod. 803)	1	—	—	FB4			
	10-20 N 22489A	PANEL , Pilot's switches, upper, less wiring and equipment, assembly (Mods. 1053 and 803) Spares for :—	1	—	—	FB4			
	10-20 N 7111A	BRACKET , support, terminal block mounting plate, assembly (Pre Mod. 803)	1	—	—	FB4			
28M/9419400	10-20 N 7113ND AGS.2013/C/11	BRACKET , bare, 16 SWG	1	L.72	LM	FB4			
		NUT , anchor, 2 BA	1	—	C				
		Attachments for 10-20 N 7111A, Bracket :—							
28D/9436920	A25/1C	Bolt, 2 BA	1	—	C				
28W/9419402	SP.13/C	Washer	1	—	C				
	10-20 N 9091A	BRACKET , mounting, block connector "CY2" and terminal board "Z," assembly (Pre Mod. 803)	1	—	—	FB4			
	10-20 N 14989A	BRACKET , mounting, block connector "CY2," assembly (Mod. 803)	1	—	—	FB4			
	10-20 N 9093ND	ANGLE , 20 SWG	1	L.72	LM	FB4			
	10-20 N 9095ND	ANGLE , 20 SWG	1	L.72	LM	FB4			
28M/9434251	AGS.2008/B/1	NUT , anchor, 4 BA	2	—	C				
28M/9435630	AGS.2013/B/11	NUT , anchor, 4 BA	1	—	C				
28M/13774	AGS.2019/B/1	NUT , anchor, 4 BA (Pre Mod. 803)... ..	1	—	C				
	10-20 N 9097ND	PLATE , 16 SWG (Pre Mod. 803)	1	L.72	LM	FB4			
	10-20 N 14991ND	PLATE , 16 SWG (Mod. 803)	1	L.72	LM	FB4			
	10-20 N 12120	CLEAT , lower	1	L.72	LM	FB4			
	10-20 N 12119	CLEAT , upper	1	L.72	LM	FB4			
28M/9434231	AGS.2008/B/1	NUT , anchor 4 BA	29	—	C				
28M/13774	AGS.2019/B/1	NUT , anchor 4 BA (Pre Mod. 803)	9	—	C				
28M/13774	AGS.2019/B/1	NUT , anchor 4 BA (Mod. 803)... ..	8	—	C				
28M/11957	AGS.2007/C/1	NUT , anchor, 2 BA	9	—	C				
	10-20 N 20765ND	PACKING , rear guard pillar support, 10"85 x 0"4 x 18 SWG (Mod. 927)	3	L.72	LM	FB4			
	—	PANEL , top, group (Ref. Drg. No. 10-20 N 22491)	1	—	—				
	10-20 N 15885	BAR , spacing (For spares use 10-20 N 22561ND)	2	—	—	FB4			
17174	10-20 N 22561ND	BAR , spacing (Spares condition)	1	—	C				
	10-20 N 22493ND	PANEL , top, bare, 18 SWG	1	L.72	—	FB4			
	10-20 N 20703	PLATE , cover, 18 SWG	1	L.72	—	FB4			
	10-20 N 7085A	PLATE , mounting, block connector "CY1," assembly	1	—	—	FB4			
28M/9435630	AGS.2013/B/11	NUT , anchor, 4 BA	1	—	C				
28M/13774	AGS.2019/B/1	NUT , anchor, 4 BA	1	—	C				
	10-20 N 7087ND	PLATE , bare, 18 SWG	1	L.72	LM	FB4			
7660	10-20 N 4301	PLUG-END	1	—	C	FB4			
		Attachments for 10-20 N 4301, Plug-end :—							
28D/9140645	A25/10C	Bolt, 2 BA	1	—	C				
28M/1006473	A27/CT	Nut, 2 BA	1	—	C				
28W/9419402	SP.13/C	Washer	1	—	C				

**EQUIPMENT, AIRCRAFT
INSTRUMENT PANELS**

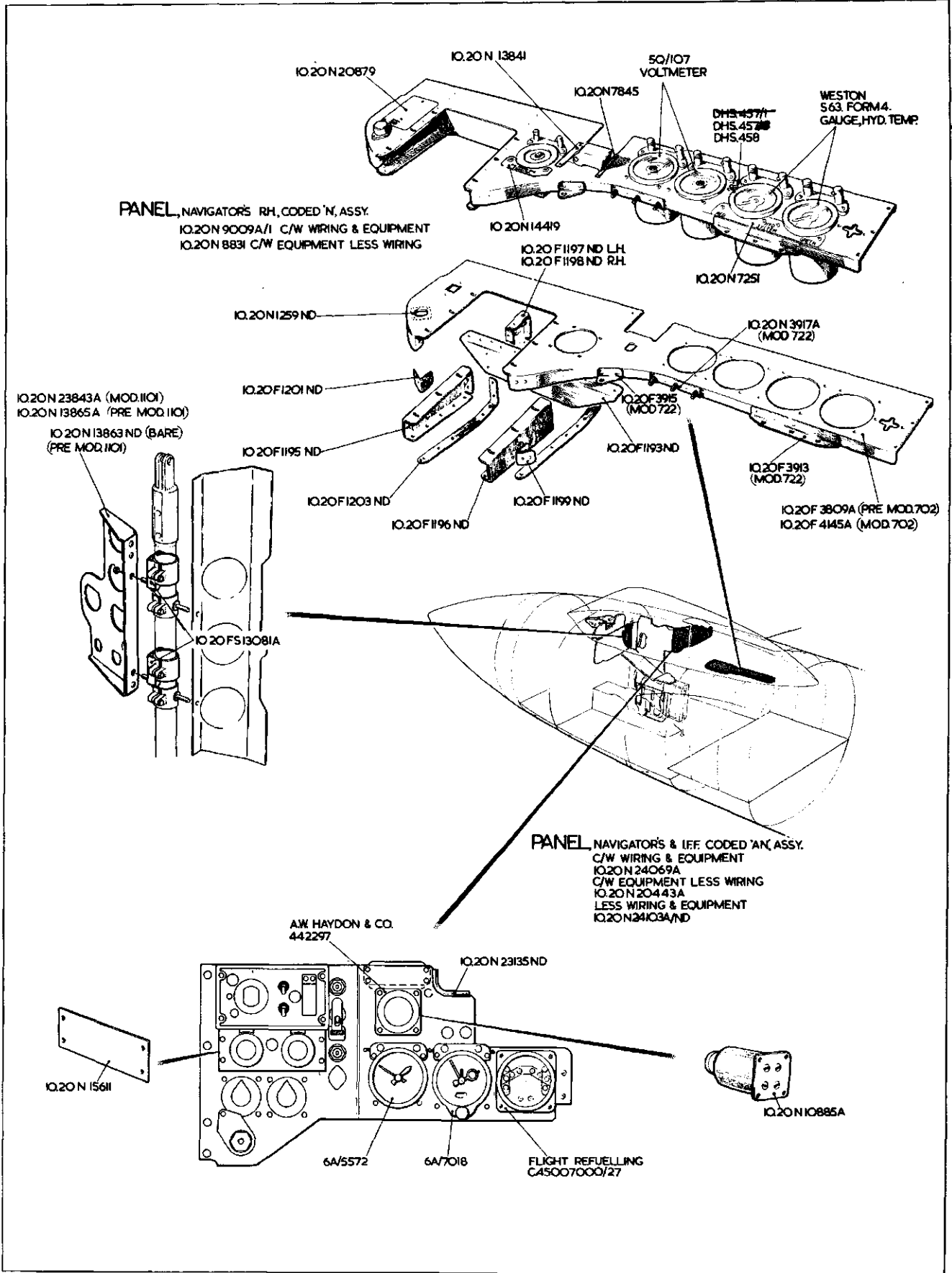
Ref. No.	Part No.	Description	No. off	Material Specification	Class of Store or L.M.	Plate No.			
							1	2	3
		STOP , switch, group (Drg. No. 10-20 N 14325)	1	—	—				
		PLATE , 16 SWG	1	L.72	LM	FB4			
15604	10-20 N 13601	STOP , switch, assembly	1	—	C	FB4			
12638	10-20 N 11659A	STRAP , cable, assembly	3	—	C	FB4			
14106	10-20 N 11673	STRAP , cable	2	—	C	FB4			
12640	10-20 N 11671	STRAP , cable	1	—	C	FB4			
	10-20 N 12115ND	TUBE , distance, 1/2" dia. x 17 SWG x 0".35 long, at block connector mounting plate	2	T.35	LM	FB4			
		Attachments for 10-20 N 15781 or 10-20 N 24101A, Panel :— (Ref. Drg. No. 10-20 N 9939)							
28D/9436920	A25/1C	Bolt, 2 BA	2	—	C				
28D/9133011	A25/2C	Bolt, 2 BA	5	—	C				
28D/1011029	A25/1E	Bolt, 1/4" BSF	2	—	C				
28D/1011030	A25/2E	Bolt, 1/4" BSF	1	—	C				
28D/1011204	A25/5E	Bolt, 1/4" BSF	1	—	C				
28M/10288	AGS.2001/C/1	Nut, 2 BA	2	—	C				
28M/10290	AGS.2001/E/1	Nut, 1/4" BSF	3	—	C				
26FN/3275	DHS.69/DD	Shim, washer	1	—	C				
28W/9419402	SP.13/C	Washer	7	—	C				
28W/9418921	SP.13/E	Washer	5	—	C				
17072	10-20 N 15887	PANEL , plasteck, ganged switch panel	1	—	C	FB4			
20262	10-20 N 24549	PANEL , plasteck, Pilot's switch panel, coded "H" (Mod. 1462)	1	—	C	FB4			
		PANEL, STARBOARD FRONT CONSOLE, GROUP	1	—	—				
	10-20 N 12511A	BRACKET , attachment, inboard, assembly	1	—	—	FB5			
	10-20 N 11933ND	BRACKET , bare, 18 SWG	1	L.72	LM	FB5			
28FP/9993392	ODDIE 212	CLIP	1	—	C	FB5			
	10-20 N 11935ND	WASHER , corner (Make from standard section J.2039)	1	—	LM	FB5			
		Attachments for 10-20 N 12511A, Bracket :—							
28D/9133012	A25/3C	Bolt, 2 BA	2	—	C				
28M/10288	AGS.2001/C/1	Nut, 2 BA	2	—	C				
28W/9419454	SP.10/C	Washer	2	—	C				
	10-20 N 10829A	BRACKET , attachment, outboard, assembly	1	—	—	FB5			
	10-20 N 10833ND	BRACKET , bare, 18 SWG	1	L.72	LM	FB5			
28FP/9993392	ODDIE 212	CLIP	1	—	C	FB5			
	10-20 N 10831ND	WASHER , plate (Make from standard section J.2039)	1	—	LM	FB5			
		Attachments for 10-20 N 10829A, Bracket :—							
28D/1008149	A25/2B	Bolt, 4 BA	2	—	C				
20M/10287	AGS.2001/B/1	Nut, 4 BA	2	—	C				
28W/9419401	SP.10/B	Washer	2	—	C				

**EQUIPMENT, AIRCRAFT
INSTRUMENT PANELS**

Ref. No.	Part No.	Description	No. off	Material Specification	Class of Score or L.M.	Plate No.			
							1	2	3
	10-20 N 15575A	PANEL, Starboard front console, coded "J," c/w wiring and equipment, assembly (Mod. 923, Pre Mod. 803)	1	—	—	FB5			
	10-20 N 14469A	PANEL, Starboard front console, coded "J," c/w wiring and equipment, assembly (Mod. 803)	1	—	—	FB5			
	10-20 N 14273	PANEL, Starboard front console, coded "J," c/w equipment less wiring, assembly	1	—	—	FB5			
	—	ELECTRICAL COMPONENTS (See appropriate electrical sub-section)	—	—	—	—			
	—	INDICATOR , centralised warning (See sub-section ECN)	—	—	—	—			
	—	REGULATOR , oxygen demand and inflation, coded "M" (See sub-section QU)	—	—	—	—			
28FP/9469064	ODDIE 204/5	STUD , fastener	2	—	—	—			
28FP/552	ODDIE 217/2	STUD , fastener	2	—	—	C			
	—	UNIT , control, U.H.F. (See sub-section NH)...	—	—	—	—			
28FP/1004893	ODDIE 214	WASHER , fastener	2	—	—	C			
28FP/9424333	ODDIE 219	WASHER , fastener	2	—	—	C			
	10-20 N 14225A	PANEL, Starboard front console, less wiring and equipment, assembly Spares for :—	1	—	—	FB5			
28M/9434251	AGS.2008/B/1	NUT , anchor, 4 BA	3	—	—	C			
28M/9434252	AGS.2018/B/1	NUT , anchor, 4 BA	1	—	—	C			
28M/9435067	AGS.2008/C/1	NUT , anchor, 2 BA	4	—	—	C			
15822	10-20 N 14227ND	PANEL , bare	1	—	—	C			
	10-20 N 16075	SHIELD , protection, switch cables, 18 SWG ... Attachments: for 10-20 N 16075, Shield :—	1	L.72	LM	FB5			
28D/9128739	AS.1248/1/8	Bolt , 4 BA	2	—	—	C			
12233	10-20 N 10235	PANEL, plasteck, Starboard front console, coded "J"	1	—	—	C			
	—	PANEL, STARBOARD REAR CONSOLE, GROUP	1	—	—	—			
	10-20 N 14123A	PANEL, Starboard rear console, coded "L," c/w wiring and equipment, assembly (Pre Mod. 803)	1	—	—	FB5			
	10-20 N 14463A	PANEL, Starboard rear console, coded "L," c/w wiring and equipment, assembly (Mod. 803)	1	—	—	FB5			
	10-20 N 14283	PANEL, Starboard rear console, coded "L," c/w equipment less wiring, assembly	1	—	—	FB5			
	—	ELECTRICAL COMPONENTS (See appropriate electrical sub-section)	—	—	—	—			
	—	STICK , miniature, auto-pilot, coded "E" (See sub-section EAY)	—	—	—	—			
	10-20 N 14853A/ND	SWITCH , radio altimeter, c/w mounting plate, assembly	1	—	—	FB5			
	10-20 N 14851	PLATE , mounting, 16 SWG	1	L.73	LM	FB5			
10F/17565	—	SWITCH , unit, altitude limit, Type 7231 ... Attachments for Ref. No. 10F/17565, Switch :—	1	—	P	FB5			
28S/9435715	A33/B16	Screw , 4 BA	4	—	—	C			
28W/9419486	SP.16/B	Washer	4	—	—	C			
28S/9435715	A33/B16	Attachments for 10-20 N 14853A/ND, Switch :— Screw , 4 BA	4	—	—	C			

**EQUIPMENT, AIRCRAFT
INSTRUMENT PANELS**

Ref. No.	Part No.	Description	No. off	Material Specification	Class of Store or L.M.	Plate No.			
							1	2	3
		UNIT , control, T.A.C.A.N. (See sub-section NF)	-	-	-				
16471	10-20 N 15245A	PANEL , Starboard rear console, less wiring and equipment, assembly (Pre Mod. 1394)	1	-	P	FB5			
19996	10-20 N 24475A	PANEL , rear console, less wiring and equipment, assembly, Starboard (Mod. 1394) Spares for:—	1	-	P	FB5			
15278	10-20 S 14361A	BRACKET , Pilot's emergency oxygen release cable, assembly	1	-	C	FB5			
28M/11957	AGS.2007/C/1	NUT , anchor, 2 BA	4	-	C				
28M/9434253	AGS.2007/B/1	NUT , anchor, 4 BA	1	-	C				
28M/9434252	AGS.2018/B/1	NUT , anchor, 4 BA	1	-	C				
28W/1200072	SP.26/Z	WASHER	8	-	C				
28FP/9492814	DZUS SX.560	WIRE FORM , panel mounting	4	-	C				
		Attachments for 10-20 N 14123A or 10-20 N 14463A, Panel:—							
28D/1007982	AS.1248/1C	Bolt, 2 BA	1	-	C				
28D/13132	AS.3297/1C	Bolt, 2 BA	2	-	C				
28D/13461	AS.3297/2C	Bolt, 2 BA	2	-	C				
16430	10-20 N 15263	PANEL , plastic, Starboard rear console, coded "L"	1	-	C	FB5			
	—	PANEL , terminal block mounting, coded "H-A," installation (Drg. No. 10-20 N 139 Mod. 803)	1	-	-	FB5			
17047	10-20 N 14005A	MEMBER , support, assembly Spares for:—	1	-	C	FB5			
28M/9434253	AGS.2007/B/1	NUT , anchor, 4 BA	2	-	C				
28M/11957	AGS.2007/C/1	NUT , anchor, 2 BA	2	-	C				
		Attachments for 10-20 N 14005A, Member:—							
28D/9419397	A25/12C	Bolt, 2 BA	2	-	C				
28M/10288	AGS.2001/C/1	Nut, 2 BA	2	-	C				
28W/9419402	SP.13/C	Washer	2	-	C				
28W/16255	AS.1905/C8	Washer, saddle	2	-	C				
28W/14261	AS.1905/G8	Washer, saddle	2	-	C				
	10-20 N 15431A/ND	PANEL , mounting, c/w terminal blocks, coded "H," assembly	1	-	-	FB5			
	—	ELECTRICAL COMPONENTS (See appropriate electrical sub-section)	-	-	-				
17046	10-20 N 14011A	PANEL , bare, assembly Spares for:—	1	-	C	FB5			
28M/9434253	AGS.2007/B/1	NUT , anchor, 4 BA	8	-	C				
26DV/4583	12-21 N 143A	SPIGOT , locating, assembly	2	-	C	FB5			
		Attachments for 10-20 N 14011A, Panel:—							
28D/9436920	A25/1C	Bolt, 2 BA	2	-	C				
28W/9419402	SP.13/C	Washer	2	-	C				
	—	SCREEN , anti-glare and shrouds (See sub-section FA)	-	-	-				



FB. 1

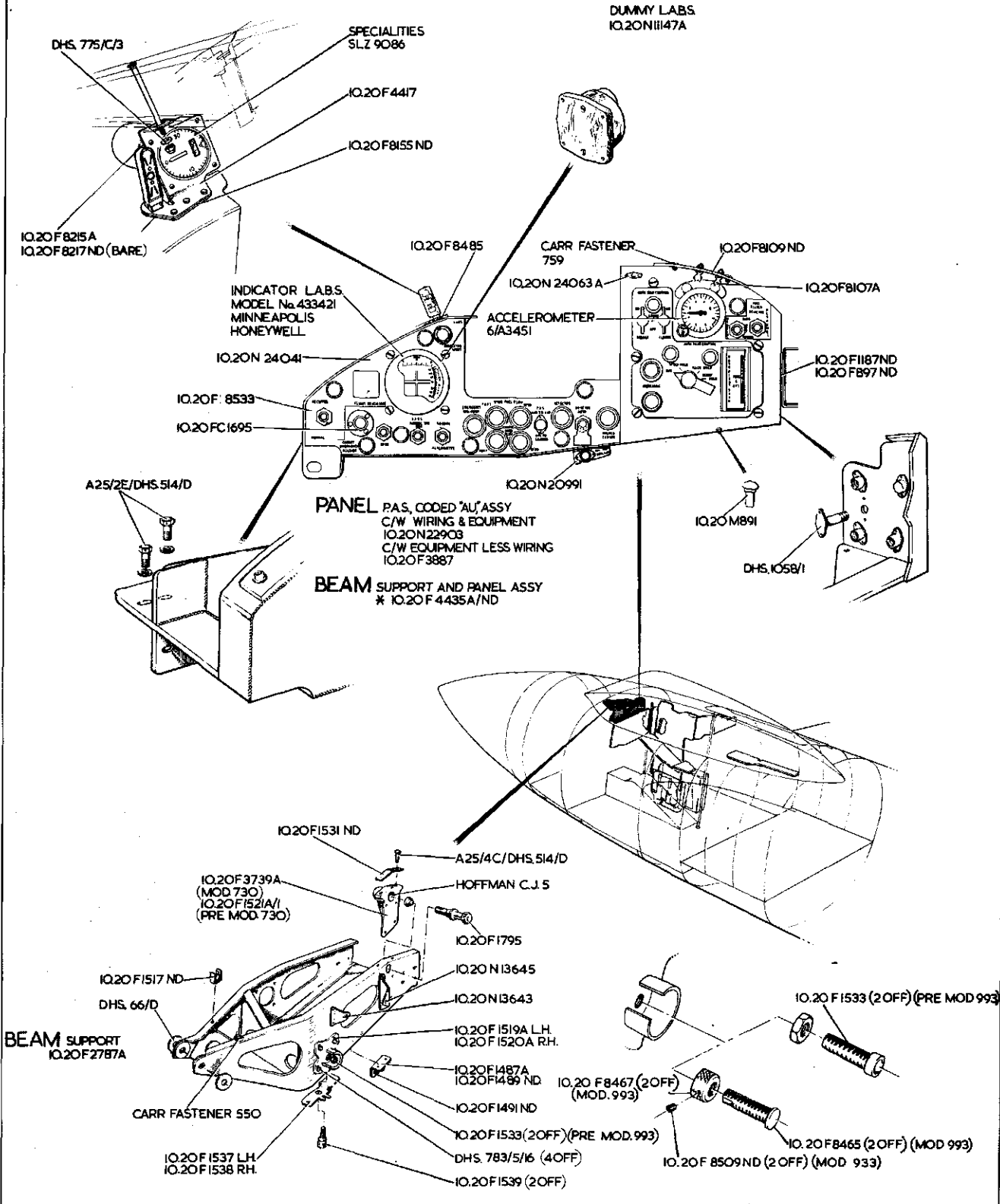
EQUIPMENT AIRCRAFT
INSTRUMENT PANELS

FB. 1

[AL. 59]

SEE TEXT FOR SPARES CONDITION
OF ITEMS MARKED THUS: - *

INSTRUMENTS ANGLE OF ATTACK ON P.A.S.
PANEL (PRE MOD IO20N22007)

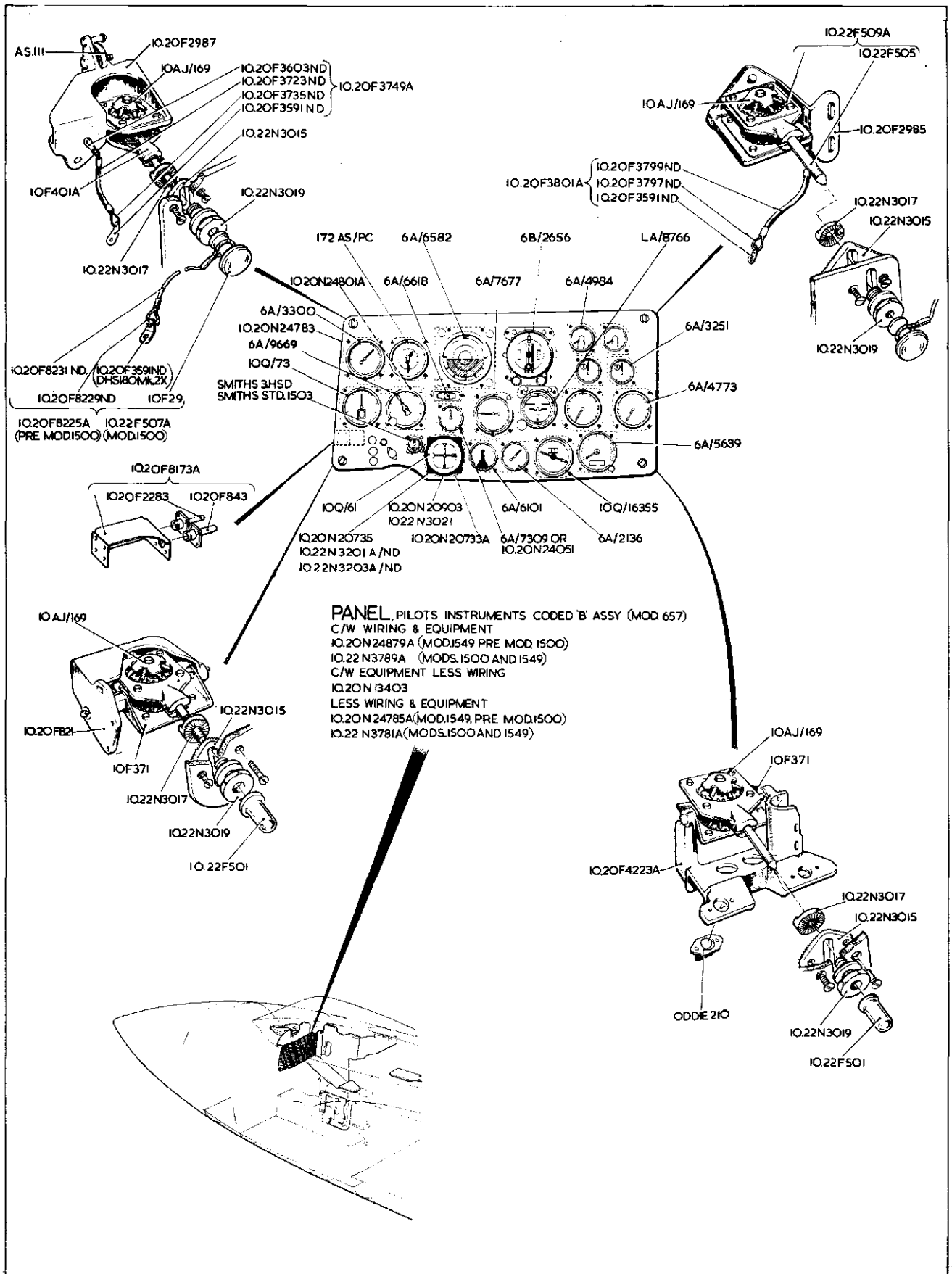


FB. 2

EQUIPMENT AIRCRAFT
INSTRUMENT PANELS

FB. 2

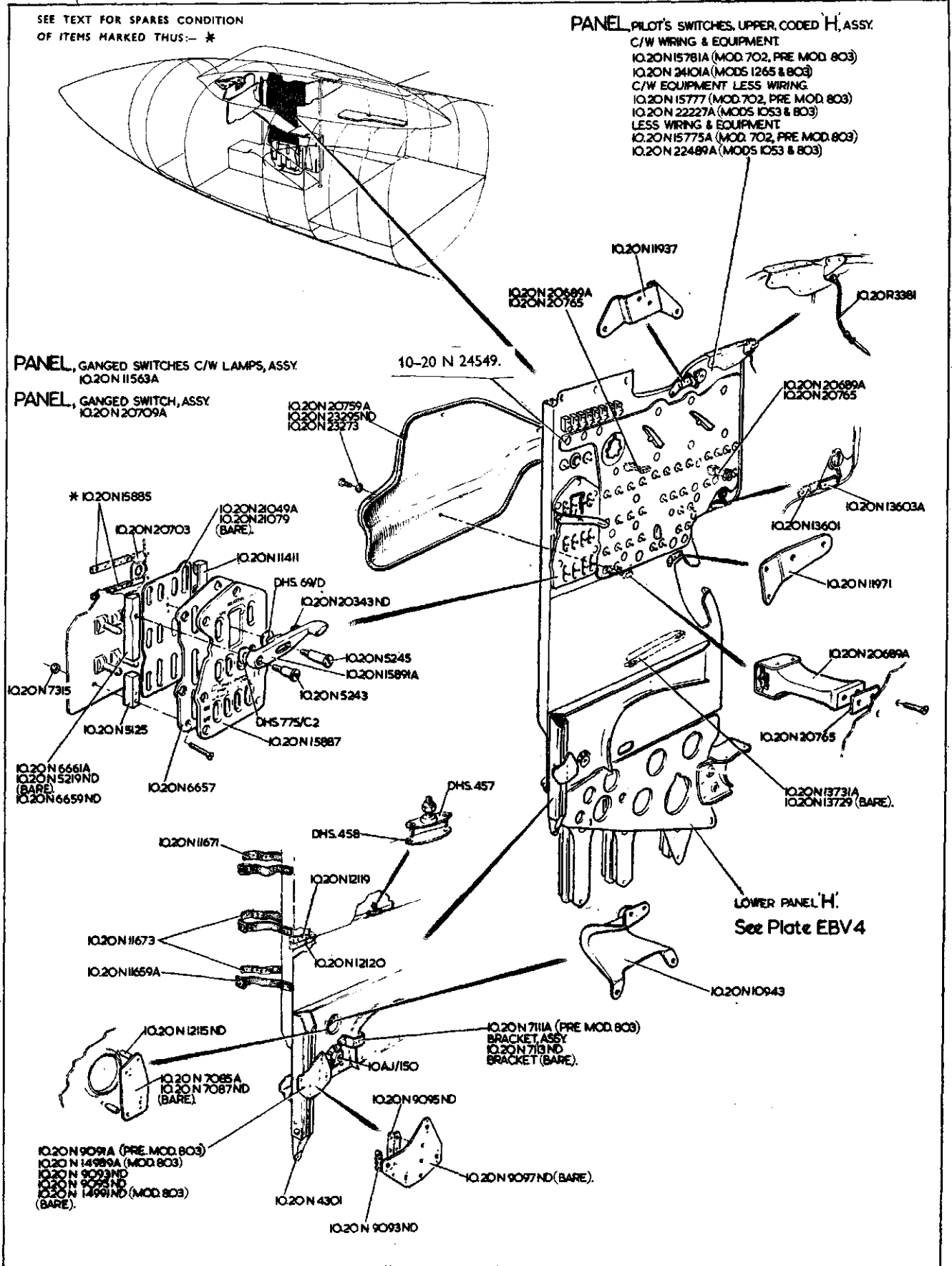
[A.L. 65]

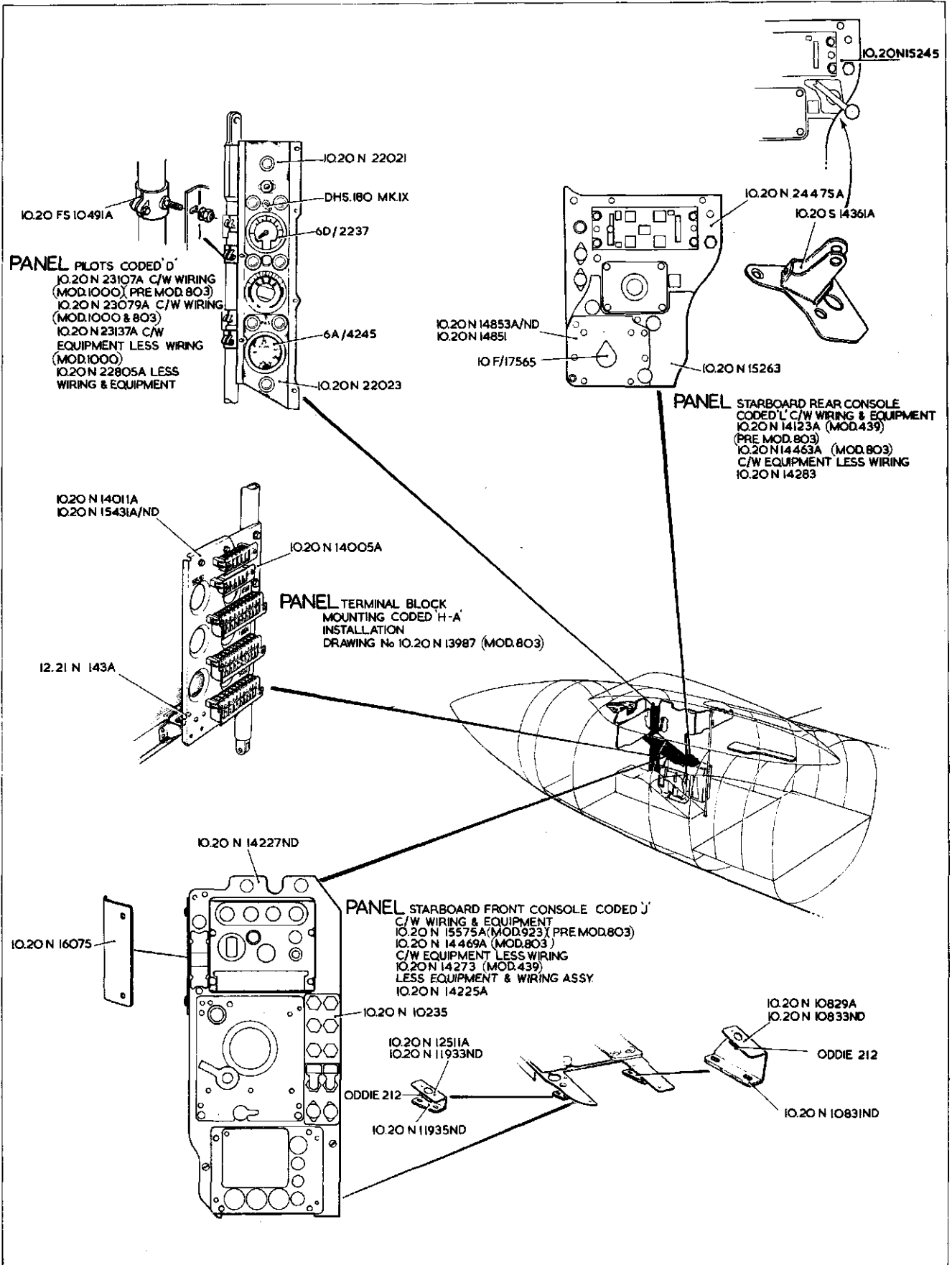


FB. 3

EQUIPMENT AIRCRAFT
INSTRUMENT PANELS

FB. 3
(AL71)







This file was downloaded
from the RTFM Library.

Link: www.scottbouch.com/rtfm

Please see site for usage terms,
and more aircraft documents.