

**EQUIPMENT, GROUND  
GROUND HANDLING EQUIPMENT  
(SPECIAL ORDER ONLY)**

Ref. No.	Part No.	Description	No. off	Material Specification	Class of Store or L.M	Place No.
	—	<b>GROUND HANDLING EQUIPMENT</b> ... ..	1	—	—	
		<b>(SPECIAL ORDER ONLY)</b> (Drg. No. 10-20 Y 1)				
95025	10-20 Y 59A	<b>ARM</b> , steering, nose, assembly ... ..	1	—	P	HA1
		Spares for :—				
96118	10-20 Y 3113A	<b>ADAPTER-PIN</b> steering arm attachment, assembly	2	—	C	HA1
		Spares for :—				
26FN/3285	10-20 Y 2967ND	<b>CABLE</b> , 5 cwt, (Make from Ref. No. 28X/9949)	1	W9/2P	LM	HA1
28Y/3004	DHS.180 Mk. 3/X	<b>TAG</b> , cable, attachment ... ..	1	—	C	HA1
	SP.66/A	<b>THIMBLE</b> ... ..	1	—	C	
		Attachments for 10-20 Y 3113A, Adapter-Pin (per pair) :—				
28D/9453970	A25/15C	Bolt, 2 BA ... ..	1	—	C	
28M/9403520	A27/CP	Nut, 2 BA ... ..	1	—	C	
96050	10 Y 67A	<b>BRACKET</b> , half, wheel mounting, assembly ...	2	—	C	HA1
		Attachments for 10 Y 67A, Bracket :—				
	DHS.94/10/185	Pin, $\frac{1}{8}$ " dia., ground steel ... ..	1	S.96	—	HA1
96052	10 Y 49A	<b>HOOK</b> , steering arm, assembly ... ..	2	—	C	HA1
	10-20 Y 1699A	<b>MOUNTING</b> , pin stowage, assembly ... ..	1	—	—	HA1
	10-20 Y 1783	<b>BLOCK</b> , packing, between clip and plate ...	4	L.34	LM	HA1
28E/9428427	AS.2294/5	<b>CLIP</b> , spring ... ..	4	—	C	
28M/9403519	A27/BP	<b>NUT</b> , 4 BA ... ..	4	—	C	
	10-20 Y 1701ND	<b>PLATE</b> , mounting, 14 SWG ... ..	1	S.510	LM	HA1
28S/9995376	A32/B20	<b>SCREW</b> , 4 BA ... ..	4	—	C	
28FP/1033	AVDEL LTD. 5134/605	<b>PIN</b> , " Pip," quick-release, with handle ...	2	—	C	HA1
		Attachments for 5134/605, Pin :—				
29H/4114	A. J. PRATT & SON	Chain, brass, 3"-0 long x $\frac{3}{8}$ " x 16 SWG ...	QR	—	C	
	10 Y 139	<b>PLATE</b> , swivel ... ..	2	S.1 or S.510	—	HA1
	CONNOLLY C.T.S.	<b>WHEEL</b> , with cushion tyre, 6" x 2" ... ..	1	—	—	HA1
		Attachments for C.T.S., Wheel :—				
28D/—	A25/21W	Bolt, 1" BSF ... ..	1	—	C	
28M/9153386	A27/W5	Nut, 1" BSF ... ..	1	—	C	
28P/19241	SP.90/G16	Pin, split (SP.9/G18) ... ..	1	—	C	
28W/16196	SP.14/W	Washer ... ..	2	—	C	

**EQUIPMENT, GROUND  
GROUND HANDLING EQUIPMENT  
(SPECIAL ORDER ONLY)**

Ref. No.	Part No.	Description	No. off	Material Specification	Class of Store or L.M	Plate No.
	—	<b>BLANKS, ENGINE COWLING</b> , miscellaneous group (Drg. No. 10-20 Y 3405)	1	—	—	
95424	10-20 Y 8981A	<b>BLANK</b> , bleed valve outlet, assembly, Port (Mod. 8093)	1	—	P	HA6 HA29
	10-20 Y 8997A/ND	<b>COVER</b> , and seal, assembly ... .. Spares for :—	1	—	—	HA29
96462	10-20 Y 8977	<b>SEAL</b> , rubber ... ..	1	—	C	HA29
	10-20 Y 8995A/ND	<b>LOCK</b> , mechanism, assembly ... .. Spares for :—	1	—	—	
96464	10-20 Y 8959	<b>BARREL</b> ... ..	1	—	C	HA29
96465	10-20 Y 8993ND	<b>PIN</b> , special ... ..	1	—	C	HA29
96466	10-20 Y 8957	<b>PIVOT</b> , fitting... ..	1	—	C	HA29
96467	10-20 Y 8969	<b>SPRING</b> ... ..	1	—	C	HA29
96468	10-20 Y 8963	<b>PLATE</b> , locking ... ..	1	—	C	HA29
95425	10-20 Y 9053A	<b>BLANK</b> , bleed valve, assembly, Starboard (Mod. 8093)	1	—	P	HA6 HA29
	10-20 Y 9915A	<b>COVER</b> , top, assembly ... .. Spares for :—	1	—	—	HA29
96463	10-20 Y 9065	<b>SEAL</b> , rubber ... ..	1	—	C	HA29
96469	10-20 Y 9913A	<b>HANDLE</b> , assembly ... ..	1	—	C	HA29
96471	10-20 Y 9659	<b>LINK</b> ... ..	2	—	C	HA29
96470	10-20 Y 9663	<b>SPINDLE</b> , flanged ... ..	1	—	C	HA29

**EQUIPMENT, GROUND  
GROUND HANDLING EQUIPMENT  
(SPECIAL ORDER ONLY)**

Ref. No.	Part No.	Description	No. off	Material Specification	Class of Store or L.M	Plate No.
	10-20 Y 4935A	<b>BLANK</b> , cooling exit, engine rear bearing, assembly (Mod. 8046)	2	DTD.790	—	HA6
95355	10-20 Y 8153A	<b>BUNG</b> , air bleed, exit, Port, assembly ... (Mod. 8065)	1	—	P	HA6 HA29
95356	10-20 Y 8155A	<b>BUNG</b> , air bleed, exit, Starboard, assembly ... (Mod. 8065)	1	—	P	HA6 HA29
95113	10-20 Y 3011A	<b>BUNGS</b> , air intake duct, Port and Starboard, assembly Spares for :—	2	—	P	HA6
	10-20 Y 3403ND	<b>PENNANT</b> , red ...	1	Calico	LM	HA6
	10-20 Y 3013ND	<b>WEBBING</b> , strap, 1" wide, linking bungs	QR	BS.5055	LM	HA6
95438	10-20 Y 9895A	<b>BLANK</b> , N.A.C.A. ducts, at top cowling panels, booms and fuselage nose, assembly (Mod. 8148) Spares for :—	1	—	P	HA31
96484	10-20 Y 9225A	<b>BRACKET</b> , assembly	1	—	C	HA31
96483	10-20 Y 9219	<b>CHANNEL</b>	1	—	C	HA31
96489	10-20 Y 9227	<b>FERRULE</b>	1	—	C	HA31
96488	10-20 Y 9231	<b>KNOB</b> , knurled	1	—	C	HA31
96486	10-20 Y 9229A	<b>PLATE</b> , lock, assembly Spares for :—	1	—	C	HA31
96487	10-20 Y 9239	<b>PAD</b> , rubber Attachments for 10-20 Y 9239, Pad :—	1	—	C	HA31
28S/9435721	AS.2992/4/B	Screw, recess head	1	—	C	
28W/9419401	SP.10/B	Washer	1	—	C	
96482	10-20 Y 9901ND	<b>SEAL</b> , rubber sponge	1	—	C	HA31
96485	10-20 Y 9899ND	<b>STRIP</b> , support	2	—	C	HA31
	—	<b>BLANKS</b> , testing, miscellaneous, group Spares for :—	1	—	—	
95046	10 Y 1283A	<b>BLANK</b> , pressure controller, cockpit, static connection, assembly	1	—	P	HA24
	10 Y 1285ND	<b>CABLE</b> , 3 cwt. flag and label securing, 3' 0" long (Make from Ref. No. 28X/5450)	1	W9/1P	LM	HA24
28F/9129082	AGS.1159A	<b>CAP</b> , cone	1	—	C	HA24
	4 Y 479A	<b>FLAG</b> , red, assembly	1	Calico	LM	HA24
	10 Y 1287	<b>LABEL</b> , 20 SWG	1	L.72	LM	HA24
28F/9128936	AGS.904/A	<b>SLEEVE</b> , outer	1	—	C	HA24
28Y/3004	SP.66/A	<b>THIMBLE</b> , for flag cable	1	—	C	HA24
95098	10-20 Y 1061A	<b>PLATE</b> , blanking, cabin air supply pipe, 2" .75 dia., assembly Spares for :—	1	—	C	HA15
	10-20 Y 1067ND	<b>CABLE</b> , 3 cwt., securing flag, 8" 0 long (Make from Ref. No. 28X/5450)	1	W9/1P	LM	HA15
	4 Y 479A	<b>FLAG</b> , red, assembly	1	Calico	LM	HA15
	10-20 Y 3085ND	<b>WASHER</b> , sealing, synthetic rubber, 2 3/4" dia. x 1/4" thick, bonded to blanking disc to process DHA.437	1	Neoprene Rubber	LM	HA15
95099	10-20 Y 1813A	<b>PLATE</b> , blanking, cabin air supply pipe, 3" .25 dia., assembly Spares for :—	1	—	C	HA15
	10-20 Y 1067ND	<b>CABLE</b> , 3 cwt., securing flag, 8" 0 long (Make from Ref. No. 28X/5450)	1	W9/1P	LM	HA15

**EQUIPMENT, GROUND  
GROUND HANDLING EQUIPMENT  
(SPECIAL ORDER ONLY)**

Ref. No.	Part No.	Description	No. of	Material Specification	Class of Store or L.M	Plate No.	
							1
95115	4 Y 479A	<b>FLAG</b> , red, assembly ... ..	1	Calico	LM	HA15	
	10-20 Y 3091ND	<b>WASHER</b> , sealing, synthetic rubber, 3 1/4" dia. x 1/4" thick, bonded to blanking disc to process DHA.437	1	Neoprene Rubber	LM	HA15	
	10-20 Y 2767A	<b>PLATE</b> , blanking, in heat exchanger to cold air unit pipes, assembly	2	—	C	HA15	
	10-20 Y 1067ND	<b>CABLE</b> , 3 cwt., securing flag, 8"-0 long ... (Make from Ref. No. 28X/5450)	1	W9/1P	LM	HA15	
	4 Y 479A	<b>FLAG</b> , red, assembly ... ..	1	Calico	LM	HA15	
95097	10-20 Y 3093ND	<b>WASHER</b> , sealing, synthetic rubber, 2 1/4" dia. x 1/4" thick, bonded to blanking disc to process DHA.437	1	Neoprene Rubber	LM	HA15	
	10-20 Y 1059A	<b>PLATE</b> , blanking, missile, heat exchanger package, assembly Spares for:—	2	—	C	HA15	
	10-20 Y 1067ND	<b>CABLE</b> , 3 cwt., securing flag, 8"-0 long ... (Make from Ref. No. 28X/5450)	1	W9/1P	LM	HA15	
	4 Y 479A	<b>FLAG</b> , red, assembly ... ..	1	Calico	LM	HA15	
	10-20 Y 3089ND	<b>WASHER</b> , sealing, synthetic rubber, 1 3/4" dia. x 1/4" thick, bonded to blanking disc to process DHA.437	1	Neoprene Rubber	LM	HA15	
95426	10-20 Y 9025A	<b>BUNG</b> , assembly, Port (Mod. 8093) ... ..	1	—	C	HA6	
95427	10-20 Y 9026A	<b>BUNG</b> , assembly, Starboard (Mod. 8093) ... ..	1	—	C	HA6	
95430	10-22 Y 173	<b>CAP</b> , protective, Photographic Reconnaissance Pod (Mod. 8131)	1	—	C	HA31	
96480	10-22 Y 179ND	<b>BLOCK</b> , neoprene ... ..	4	—	C	HA31	
	DHS.1150C/4"-0	<b>CABLE</b> , retaining ... ..	2	—	—	HA31	
	4 Y 4-9A	<b>FLAG</b> , red, calico, assembly ... ..	1	—	LM	HA31	
	28FP/1048015	AGS.2105/405 A. J. PRATT LTD.	<b>PIN</b> , " Pip," quick release ... ..	2	—	C	—
	96479	10-20 Y 177ND	<b>RING</b> , key, .75 inside diameter ... ..	1	—	—	—
27D/3121	10-20 Y 177ND	<b>STRIP</b> , neoprene ... ..	1	—	C	HA31	
	—	<b>COVERS</b> , fabric, aircraft, group ... .. (Drg. No. 10-20 Y 411A)	1	—	—	HA15	
	10-20 Y 3001A	<b>BUNG</b> , " Inverter cooling," assembly ... ..	2	—	—	HA15	
	10-20 Y 2999A	<b>BUNG</b> , " Blue Jay heating package," (Firestreak) assembly	2	—	—	HA15	
	10-20 Y 405A/ND	<b>COVER</b> , cockpit, double thickness proofed fabric, with Kapok inter-lining, complete with straps and buckles, assembly	1	—	P	HA15	
27D/3125	10-20 Y 2733A/ND	<b>COVER</b> , wing-fold, for rib Nos. 4 and 4A, Port, assembly (for use when wing is folded)	1	—	P	HA15	
27D/3126	10-20 Y 2734A/ND	<b>COVER</b> , wing-fold, for rib Nos. 4 and 4A, Starboard, assembly (for use when wing is folded)	1	—	P	HA15	
27D/3123	10-20 Y 2161A/ND	<b>COVER</b> , main wheel, Port, assembly ... ..	1	—	P	HA15	
27D/3129	10-20 Y 2162A/ND	<b>COVER</b> , main wheel, Starboard, assembly ... ..	1	—	P	HA15	
27D/3124	10-20 Y 2731A/ND	<b>COVER</b> , main wheel well, Port, assembly ... ..	1	DTD.970	—	HA15	
	10-20 Y 2732A/ND	<b>COVER</b> , main wheel well, Starboard, assembly ... ..	1	DTD.970	—	HA15	
	10-20 Y 2159A/ND	<b>COVER</b> , nose-wheel, assembly ... ..	1	—	P	HA15	
	10-20 Y 2729A/ND	<b>COVER</b> , nose-wheel well, assembly ... ..	1	DTD.970	—	HA15	
	27D/2963	—	<b>COVER</b> , pitôt, head ... ..	2	—	P	HA15
27D/3143	10-20 Y 3003A/ND	<b>COVER</b> , " Q " feel venturi, assembly ... ..	1	—	P	HA15	
27D/3214	10-20 Y 8111A/ND	<b>COVER</b> , radome, assembly (for use when radome is closed)	1	—	P	HA15	
95335	10-20 Y 2735A/ND	<b>COVER</b> , scanner, assembly (for use when radome is fully opened)	1	DTD.970	—	HA15	
	10-20 Y 4395A	<b>COVER</b> , hinged, protective, control column handle, " Loaded Aemament " (Mod. 8031)	1	—	P	HA27	

**EQUIPMENT, GROUND  
GROUND HANDLING EQUIPMENT  
(SPECIAL ORDER ONLY)**

Ref. No.	Part No.	Description	No. off	Material Specification	Class of Store or LM	Plate No.
95047	10-20 Y 1819A	<b>CRADLE</b> , power-unit, gear-box, assembly ... ..	1	—	P	HA2
		Spares for :—				
96096	10-20 Y 1833	<b>ADAPTER</b> , jack ... ..	1	—	P	HA2
		Attachments for 10-20 Y 1833, Adapter :—				
28D/1011240	A25/5E	Bolt, 1/4" BSF ... ..	8	—	C	
28M/1011475	A27/EP	Nut, 1/4" BSF ... ..	8	—	C	
28W/9418921	SP.13/E	Washer ... ..	8	—	C	
	10-20 Y 8489A	<b>CRADLE</b> , assembly (Mod. 8049) ... ..	1	—	—	HA2
		Spares for :—				
	10-20 Y 2501A	<b>BRACKET</b> , support, bottom L.H., assembly... (For spares use 10-20 Y 5079A/ND)	1	—	—	HA2
96239	10-20 Y 5079A/ND	<b>BRACKET</b> , support, bottom L.H., assembly... (Spares condition)	1	—	P	
	10-20 Y 2502A	<b>BRACKET</b> , support, bottom R.H., assembly... (For spares use 10-20 Y 5080A/ND)	1	—	—	HA2
96240	10-20 Y 5080A/ND	<b>BRACKET</b> , support, bottom R.H., assembly (Spares condition)	1	—	P	
	10-20 Y 2507A	<b>BRACKET</b> , support, top, assembly ... .. (For spares use 10-20 Y 5081A/ND)	1	—	—	HA2
96238	10-20 Y 5081A/ND	<b>BRACKET</b> , support, top, assembly ... .. (Spares condition)	1	—	P	
		Attachments for 10-20 Y 2501A, 10-20 Y 2502A or 10-20 Y 2507A, Brackets :—				
28D/9133012	A25/3C	Bolt, 2 BA ... ..	3	—	C	
28M/9403520	A27/CP	Nut, 2 BA ... ..	3	—	C	
28W/9419402	SP.13/C	Washer ... ..	3	—	C	
	10-20 Y 8491A/ND	<b>CRADLE</b> , welded assembly (For spares use 10-20 Y 8569A/ND)	1	—	—	HA2
96315	10-20 Y 8569A/ND	<b>CRADLE</b> , welded, assembly ... .. (Spares condition)	1	—	P	
28M/9446650	A27/WP	<b>NUT</b> , 1" BSF ... ..	1	—	C	
	10-20 Y 2495A/ND	<b>PIN</b> , " Pip," complete with anchor cable, at support brackets, assembly	3	—	—	HA2
	10-20 Y 1507ND	<b>CABLE</b> , attachment, 3 cwt., 10-0" long (Make from Ref. No. 28X/5450)	1	W9/1P	LM	HA2
28FP/929	AGS.2106/408	<b>PIN</b> , " Pip," quick release, with handle ... ..	1	—	C	HA2
26FN/3285	DHS.180.Mk. 3/X	<b>TAG</b> , cable attachment ... ..	1	—	C	HA2
		Attachments for 10-20 Y 2495A/ND, Pin :—				
28D/9138768	A25/1C	Bolt, 2 BA ... ..	1	—	C	
28M/10288	AGS.2001/C/1	Nut, 2 BA ... ..	1	—	C	

**EQUIPMENT, GROUND  
GROUND HANDLING EQUIPMENT  
(SPECIAL ORDER ONLY)**

Ref. No.	Part No.	Description	No. off						Material Specification	Class of Store or L.M.	Plate No.
			1	2	3	4	5	6			
	10-20 Y 8487A	<b>PLATE</b> , base, assembly (Mod. 8049) ... ..						1	—	—	HA2
	10-20 Y 8061	Spares for :— <b>BRACKET</b> , anchorage for friction damper, 14 SWG						1	S.510	LM	HA2
		Attachments for 10-20 Y 8061, Bracket :—									
28D/9133012	A25/3C	Bolt, 2 BA ... ..						2	—	C	
28M/9403520	A27/CP	Nut, 2 BA ... ..						2	—	C	
28W/9128924	SP.14/C	Washer ... ..						2	—	C	
		<b>DAMPER</b> , friction, group ... ..						1	—	—	
96090	10-20 Y 2831ND	<b>DISC</b> , friction ... ..						5	—	C	HA2
96088	10-20 Y 1831A	<b>NUT</b> , wing ... ..						1	—	C	HA2
28P/9429652	SP.9/E10	<b>PIN</b> , split ... ..						1	—	C	
96091	10-20 Y 1825	<b>PLATE</b> , friction, centre ... ..						3	—	C	HA2
96089	10-20 Y 1827	<b>PLATE</b> , friction, outer ... ..						2	—	C	HA2
96314	10-20 Y 8063A	<b>PLATE</b> , friction, complete with screwed shaft						1	—	C	HA2
96312	10-20 Y 8067	<b>SPRING</b> ... ..						1	Spr. Steel	C	HA2
96311	10-20 Y 8065	<b>WASHER</b> , bearing, underwing nut ... ..						1	—	C	HA2
96313	10-20 Y 8069	<b>WASHER</b> , locating spring ... ..						1	—	C	HA2
		Attachments for Damper :—									
28D/1011245	A25/10E	Bolt, ½" BSF ... ..						1	—	C	
28M/10290	AGS.2001/E/1	Nut, ½" BSF ... ..						1	—	C	
28W/9418921	SP.13/E	Washer ... ..						14	—	C	
28W/7000392	SP.14/E	Washer ... ..						1	—	C	
28W/9419487	SP.16/E	Washer ... ..						6	—	C	
	10-20 Y 2837A/ND	<b>PINS</b> , "Pip," complete with anchor cables ,at base plate and friction damper, assembly						1	—	—	HA2
	10-20 Y 2833ND	<b>CABLE</b> , attachment, 5 cwt. × 7'-0 long ... (Make from Ref. No. 28X/9949)						2	W9/2P	LM	HA2
28FP/870	AGS.2106/508	<b>PIN</b> , "Pip," quick release, with handle, at base plate						1	—	C	HA2
28FP/799	AGS.2106/415	<b>PIN</b> , "Pip," quick release, with handle, at friction damper						1	—	C	HA2
26FN/3285	DHS.180 Mk. 3/X	<b>TAG</b> , cable attachment ... ..						1	—	C	HA2
	10-20 Y 2835A/ND	<b>PIN</b> , "Pip," complete with anchor cable, at base plate, assembly						1	—	—	HA2
	10-20 Y 2833ND	<b>CABLE</b> , attachment, 5 cwt. × 7'-0 long (Make from Ref. 28X/9949)						1	W9/2P	LM	HA2
28FP/870	AGS.2106/508	<b>PIN</b> , "Pip," quick release, with handle ...						1	—	C	HA2
26FN/3285	DHS.180 Mk. 3/X	<b>TAG</b> , cable attachment ... ..						1	—	C	HA2
		Attachments for 10-20 Y 2835A/ND, Pin :—									
28D/9133011	A25/2C	Bolt, 2 BA ... ..						1	—	C	
28M/9403520	A27/CP	Nut, 2 BA ... ..						1	—	C	
28W/9128924	SP.14/C	Washer ... ..						1	—	C	

**EQUIPMENT, GROUND  
GROUND HANDLING EQUIPMENT  
(SPECIAL ORDER ONLY)**

Ref. No.	Part No.	Description	No. off	Material Specification	Class of Store or L.M.	Plate No.
95102	10-20 Y 2569A	<b>DIFFUSER</b> , ground testing, ram air turbine pump assembly (Pre Mod. 8019) (For use on Pre Mod. 216A/C)	1	—	P	
95249	10-20 Y 3619A	<b>DIFFUSER</b> , ground testing, ram air turbine pump assembly (Mod. 8019) (For use on A/C embodying Mod. 216) Spares for:—	1	—	P	HA3
96002	10-20 Y 3075A/ND	<b>ARM</b> , clamping, assembly (Pre Mod. 8019) ...	3	—	C	
95250	10-20 Y 3617A/ND	<b>ARM</b> , clamping, assembly (Mod. 8019) ... Spares for:—	3	—	C	HA3
	10-20 Y 2571ND	<b>TUBE</b> , distance, $\frac{3}{8}$ " o/d x 24 SWG x 0'-62 long Attachments for 10-20 Y 2571ND, Tube:—	2	T.26	LM	HA3
28D/1009984	A25/7B	Bolt, 4 BA ...	1	—	C	
28M/1006504	A27/BT	Nut, 4 BA ...	1	—	C	
		Attachments for 10-20 Y 3075A/ND or 10-20 Y 3617A/ND, Arm:—				
1006473	A27/CT	Nut, 2 BA ...	2	—	C	
28M/10424	DHS.775/C/2	Washer ...	2	S.510	C	HA3
15583						
	10-20 Y 2585A	<b>BODY</b> , diffuser, assembly ... Spares for:—	1	—	—	HA3
96007	10-20 Y 2573	<b>BLOCK</b> , chrust ...	3	DHA.81 or DHA.82	C	HA3
	10-20 Y 2601ND	<b>BRACKET</b> , L.H., 18 SWG ...	3	S.510 or S.511	LM	HA3
	10-20 Y 2602ND	<b>BRACKET</b> , R.H., 18 SWG ...	3	S.510 or S.511	LM	HA3
96006	10-20 Y 2579	<b>TRUNNION</b> ...	3	S.92	C	HA3
	10-20 Y 2599ND	<b>TUBE</b> , distance, between inner and outer rings, $\frac{1}{2}$ " o/d x 22 SWG x $\frac{1}{2}$ " long Attachments for 10-20 Y 2599ND, Tube:—	15	T.26 or T.35	LM	HA3
28D/9133011	A25/2C	Bolt, 2 BA ...	1	—	C	
28M/43424	A27/CT	Nut, 2 BA ...	1	—	C	
1006473						
96008	10-20 Y 2581	<b>BOLT</b> , special, winged ...	3	—	C	HA3
95377	10-20 Y 8741A	<b>EQUIPMENT</b> , aircraft weighing, c/w stowage box, assembly (For use with hydrostatic weighing unic) (Mod. 8051)	1	—	P	HA30
	10-20 Y 9201A/ND	<b>BOX</b> , stowage, less equipment, assembly ...	1	—	—	HA30
	10-20 Y 2335	<b>EQUIPMENT</b> , aircraft weighing, main under-carriage portion, assembly	2	—	—	HA30
96319	10-20 Y 2329A	<b>ADAPTER</b> , jack, assembly ... Spares for:—	1	—	C	HA30
17028	DHS.94/6/150	<b>PIN</b> , ground steel, $\frac{3}{16}$ " dia. ...	1	S.96	C	HA30
96321	10-20 Y 121	<b>SPRING</b> ...	1	Spr. Steel	C	HA30
96320	10-20 Y 119	<b>STUD</b> ...	1	S.1	C	HA30
	10-20 Y 3515A/ND	<b>BLOCKS</b> , saddle, group ...	1	—	—	HA30
96323	10-20 Y 2331A	<b>BLOCK</b> , saddle, lower, assembly ...	1	—	C	HA30
96324	10-20 Y 2333A	<b>BLOCK</b> , saddle, upper, assembly ...	1	—	C	HA30
96322	10-20 Y 1993A	<b>BOLT</b> , tie, $\frac{3}{8}$ " BSF ...	1	S.96	C	HA30
28M/14792	A27/UP	<b>NUT</b> , $\frac{3}{8}$ " BSF ...	1	—	C	

**EQUIPMENT, GROUND  
GROUND HANDLING EQUIPMENT  
(SPECIAL ORDER ONLY)**

Ref. No.	Part No.	Description	No. off	Material Specification	Class of Store or L.M.	Plate No.	
							1
28M/803 96317	10-20 Y 2339A	<b>BOLT</b> , tie, assembly ... ..	4	—	—	HA30	
	10-20 Y 2341ND	<b>BOLT</b> , bare, 1/8" BSF, 8"-6 long ... ..	1	S.92	—	HA30	
	AGS.120/A	<b>NUT</b> , wing, 1/8" BSF ... ..	1	—	C		
	10-20 Y 1995	<b>PLATE</b> , retaining, lower ... ..	1	S.92 or S.510	C	HA30	
	96318	10-20 Y 1997	<b>PLATE</b> , retaining, upper ... ..	1	S.92 or S.510	C	HA30
		10-20 Y 2337	<b>EQUIPMENT</b> , aircraft weighing, nose under-carriage portion, assembly	1	—	—	HA30
	96325	10-20 Y 2371A	<b>BLOCK</b> , retaining, assembly ... ..	1	—	C	HA30
	96326	10-20 Y 3143A	<b>STAND</b> , levelling, nose jack, assembly ... .. Spares for :—	1	—	P	HA30
	96328	10-20 Y 3153ND	<b>SCREW</b> , levelling ... ..	4	S.92	C	HA30
	96327	10-20 Y 3151ND	<b>STAND</b> , corner ... ..	4	S.92	C	HA30
95374	10-20 Y 3401A	<b>STRUT</b> , clamp, nose oleo, assembly ... .. Spares for :—	1	—	C	HA30	
96357	10-20 Y 5503A/ND	<b>BLOCKS</b> , bottom, clw pin, assembly ... ..	1	—	C	HA30	
96329	10-20 Y 3883ND	<b>CYLINDER</b> , half ... ..	2	S.6 or S.93	C	HA30	
—	—	<b>EQUIPMENT</b> , handling, main undercarriage leg, group (Drg. No. 10-20 Y 2261) (For use with hook-end Attachment Ref. No. 4GC/4233 and Hoist, Type C. Ref. No. 4GC/3360) Spares for :—	1	—	—	HA4	
95108	10-20 Y 2281A	<b>CLAMP</b> , assembly ... .. Spares for :—	1	—	P	HA4	
28D/1006942	A25/13G	<b>BOLT</b> , 1/8" BSF, clamp securing ... ..	1	—	C		
	10-20 Y 2287A	<b>CLAMP</b> , lower half, assembly ... .. Spares for :—	1	—	—	HA4	
	10-20 Y 2293ND	<b>RUBBER</b> , 1/8" thick, shore hardness 60°, (bonded to clamp)	1	DHA.36	LM	HA4	
	10-20 Y 2285A	<b>CLAMP</b> , upper half, assembly ... .. Spares for :—	1	—	—	HA4	
	10-20 Y 2295ND	<b>RUBBER</b> , 1/8" thick, shore hardness 60°, (bonded to clamp)	1	DHA.36	LM	HA4	
28M/1006939	A27/GP	<b>NUT</b> , 1/8" BSF, clamp securing ... ..	1	—	C		
28P/1083	SP.4Y/F31	<b>PIN</b> , shackle, 1/8" dia. clamp hinge ... ..	1	—	C		
28P/999	SP.4Y/M13	<b>PIN</b> , shackle, 1/8" dia. through lower clamp lugs for hoist attachment hook	1	—	C		
28P/9429652	SP.9/E10	<b>PIN</b> , split, securing hinge pins ... ..	1	—	C		
28P/9429653	SP.9/G12	<b>PIN</b> , split, securing shackle pins for hoist attachment hook	1	—	C		
28VV/9419403	SP.13/G	<b>WASHER</b> , for hinge pin ... ..	2	—	C		
28VV/9419468	SP.13/N	<b>WASHER</b> , for shackle pin ... ..	1	—	C		
95107	10-20 Y 2283A	<b>HOIST</b> , main undercarriage leg pick-up, assembly Spares for :—	1	—	P	HA4	
	10-20 Y 2301A/ND	<b>PICK-UP</b> , fitting, assembly ... .. Spares for :—	1	—	—	HA4	
28D/1011317	A25/8N	<b>BOLT</b> , 1/8" BSF for hoist lifting hook attachment	1	—	C		
28X/5450	—	<b>CABLE</b> , 3 cwt., "Pip," pin and label retaining, 18 SWG	QR	W9/1P	C	HA4	

**EQUIPMENT, GROUND  
GROUND HANDLING EQUIPMENT  
(SPECIAL ORDER ONLY)**

Ref. No.	Part No.	Description	No off	Material Specification	Class of Store or L.M	Plate No.
	10-20 Y 2307	<b>LABEL</b> , engraved " Main U/C Leg Handling Equipment....., " 18 SWG	1	Brass	LM	HA4
28M/13259	A27/NS	<b>NUT</b> , 1/2" BSF, securing bolt, hoist lifting hook attachment	1	—	C	
96057	10-20 Y 2303	<b>PIN</b> , " Pip," quick-release, c/w handle ...	1	—	C	HA4
28P/19234	SP.90/E8	<b>PIN</b> , split (SP.9/E10) ...	1	—	C	
28W/9419468	SP.13/N	<b>WASHER</b> ...	1	—	C	
96058	10-20 Y 2299A/ND	<b>ROPE</b> , assembly ...	1	—	C	HA4
	—	<b>EQUIPMENT</b> , jacking and tresting, group ...	1	—	—	
	—	Spares for :—				
4Q/2655	—	<b>ADAPTER</b> , jack-head, Mark 102, nose jacking (for use with 5-ton jack)	1	—	P	
4Q/2661	—	<b>ADAPTER</b> , jack-head, Mark 105, main-plane jacking (for use with 10-ton jack)	2	—	P	HA16
95030	10-20 Y 1677	<b>ADAPTER</b> , jack-head, power, unit gear box cradle (for use with 3 1/2-ton jack)	1	—	C	HA3
95023	10-20 Y 15	<b>ADAPTER</b> , jack-head, nose and wheel-change jacking (for use with 8-ton pillar jack)	1	—	P	HA3
95032	10-20 Y 13	<b>ADAPTER</b> , jack-pad, main wheel-change (for use with 8-ton pillar jack)	1	—	P	HA16
95031	10-20 Y 5A	<b>ADAPTER</b> , jack-pad, main plane assembly (for use with 10-ton jack)	2	—	P	HA3
	—	Spares for :—				
17028	DHS.94/6/150	<b>PIN</b> , ground steel, 3/16" dia. ...	1	—	C	HA3
96321	10-20 Y 121	<b>SPRING</b> ...	1	—	C	HA3
96320	10-20 Y 119	<b>STUD</b> , special ...	1	—	C	HA3
	10-20 Y 9A	<b>BEAM</b> , nose jacking complete, assembly ...	1	—	—	HA16 HA18
	—	Spares for :—				
95022	10-20 Y 17A/ND	<b>BEAM</b> , support, nose jacking, assembly ...	1	—	P	HA18
	—	Spares for :—				
96059	10-20 Y 33A	<b>TUBE</b> , cross, assembly ...	2	—	C	HA18
	—	Spares for :—				
26DL/7356	DHS.94/6/115	<b>PIN</b> , ground steel, 3/8" dia. ...	4	—	C	HA18
	10-20 Y 31A/ND	<b>TUBE</b> , main inner, assembly ...	1	—	—	HA18
	—	Spares for :—				
	10-20 Y 41ND	<b>CABLE</b> , " Pip " pin retaining, 3 cwt., 9'-0 long (Make from Ref. No. 28X/5450)	2	W9/1P	LM	HA18
26DV/5281	DHS.94/8/220	<b>PIN</b> , ground steel, 1" dia. (For replacement use DHS.94/9/220)	4	—	C	HA18
96113	DHS.94/9/220	<b>PIN</b> , ground steel, 3/2" dia. (Oversize replacement for DHS.94/8/220)	4	—	C	HA18
28FP/870	AGS.2106/508	<b>PIN</b> , " Pip," quick release, with handle	1	—	1C	HA18
	10-20 Y 29A/ND	<b>TUBE</b> , outer, assembly ...	2	—	—	HA18
	—	Spares for :—				
	10-20 Y 39ND	<b>CABLE</b> , lower " Pip " pin retaining, 3 cwt., 6'-0 long (Make from Ref. No. 28X/5450)	3	W9/1P	LM	HA18
	10-20 Y 37ND	<b>CABLE</b> , upper " Pip " pin retaining, 3 cwt., 6'-0 long (Make from Ref. No. 28X/5450)	1	W9/1P	LM	HA18

**EQUIPMENT, GROUND  
GROUND HANDLING EQUIPMENT  
(SPECIAL ORDER ONLY)**

Ref. No.	Part No.	Description	No. off						Material Specification	Class of Store or L.M.	Place No.
			1	2	3	4	5	6			
28FP/639	AGS.2105/1017	<b>PIN</b> , "Pip," quick release, Type A, lower (Mod. 1827)						3	—	C	HA18
28FP/1026	AGS.2105/1011	<b>PIN</b> , "Pip," quick release, Type A, upper (Mod. 8127)						1	—	C	HA18
95021	10-20 Y 7A	<b>JACKING-BEAM</b> , nose assembly ... ..						1	—	P	HA16
95029	10-20 Y 1663A	<b>STAND</b> , excess lift, assembly ... ..						1	—	P	HA18
96060	10-20 Y 1659A	<b>BOLT</b> , holding down, assembly ... ..						4	—	C	HA18
	10-20 Y 1665ND	<b>CABLE</b> , bolt retaining, 5 cwt., 12"Ø long (Make from Ref. No. 28X/9949)						4	W9/2P	LM	HA18
	10-20 Y 1679ND	<b>CABLE</b> , lower, 10 cwt., 21"Ø long (Make from Ref. No. 28X/3445)						4	W9/5P	LM	HA18
	10-20 Y 49	<b>CLIP</b> , for lower cable, 18 SWG ... ..						2	S.511	LM	HA18
	10-20 Y 1669	<b>LABEL</b> , engraved "Stand for use..... 10-20 Y 1663A," 18 SWG						1	Brass	LM	HA18
	10-20 Y 1661A	<b>PLATE</b> , nut, assembly ... ..						4	—	—	HA18
28M/9435563	AGS.2007/L/1	<b>NUT</b> , 7/8" BSF ... ..						1	—	C	
	10-20 Y 1671ND	<b>PLATE</b> , mounting, 16 SWG ... ..						1	S.510	LM	HA18
26FN/3285	DHS.180 Mk. 3/X	<b>TAG</b> , attachment ... ..						4	—	C	HA18
95054	10-20 Y 321A	<b>FORMER</b> , extension wing trestle, for use at rib No. 5, with universal jacking trestle No. 8 assembly (For use when extension wing is detached and inverted)						2	—	P	HA16
	10-20 Y 325ND	<b>BEARER</b> ... ..						1	Spruce DHA.43	LM	HA16
	10-20 Y 327ND	<b>PAD</b> , felt, 1/2" thick ... ..						QR	DTD.590 or SR.4	LM	HA16
95055	10-20 Y 323A	<b>FORMER</b> , extension wing trestle, for use at rib No. 11, with universal jacking trestle No. 7 assembly (For use when extension wing is detached and inverted)						2	—	P	HA16
	10-20 Y 329ND	<b>BEARER</b> ... ..						1	Spruce DHA.43	LM	HA16
	10-20 Y 331ND	<b>PAD</b> , felt, 1/2" thick ... ..						QR	DTD.590 or RS.4	LM	HA16
95056	10-20 Y 497A	<b>FORMER</b> , trestle, for front tail-boom, assembly						2	—	P	HA16 HA17
	10-20 Y 2011ND	<b>FACING</b> , aft, 1/2" thick ... ..						1	Plywood V.3	LM	HA17
	10-20 Y 2009ND	<b>FACING</b> , forward, 1/2" thick ... ..						1	Plywood V.3	LM	HA17
	10-20 Y 2013ND	<b>FELT</b> , protective, facing, covered in "Mecholastic" (Make from Ref. No. 32B/953) (Attach with "Bostik" 1410, Ref. No. 33H/6)						1	RS.4	LM	HA17
	10-20 Y 2015ND	<b>FORMER</b> , trestle ... ..						1	Hardwood	LM	HA17

**EQUIPMENT, GROUND  
GROUND HANDLING EQUIPMENT  
(SPECIAL ORDER ONLY)**

Ref. No.	Part No.	Description						No. off	Material Specification	Class of Store or L.M	Plate No.
		1	2	3	4	5	6				
96084	10-20 Y 3553A/ND	<b>STRAP &amp; BUCKLE</b> , assembly ... ..						1	—	C	HA17
96085	10-20 Y 1885ND	<b>WEBBING</b> , strap-over, 1½" wide x 48" 0 long Attachments for 10-20 Y 1885ND, Webbing, or 10-20 Y 3553A/ND. Strap and Buckle :—						1	—	C	HA17
	10-20 Y 1881	Plate, clamping ... ..						2	S.510	LM	HA17
	10-20 Y 1879	Plate, retaining ... ..						2	S.510	LM	HA17
95057	10-20 Y 499A	<b>FORMER</b> , trestle, for rear tail-boom, assembly						2	—	P	HA16 HA17
	10-20 Y 2007ND	Spares for :— <b>FACING</b> , aft, ½" thick ... ..						1	Plywood V3	LM	HA17
	10-20 Y 2005ND	<b>FACING</b> , forward, ½" thick ... ..						1	Plywood V3	LM	HA17
	10-20 Y 223ND	<b>FELT</b> , protective, facing, covered in 'Mechoflex' (Make from Ref. No. 32B/953) (Attach with Bostik 40S Primer and Bostik 503A and 503B adhesive)						1	RS.4	LM	HA17
	10-20 Y 495ND	<b>FORMER</b> , trestle ... ..						1	Hardwood	LM	HA17
4Q/2607	—	<b>JACK</b> , hydraulic, 3½ ton, lever, Type " B," c/w head adapter (for use with power unit gear-box cradle)						1	—	P	
4Q/2617	—	<b>JACK</b> , hydraulic, 5 ton, four legged, Type " C," c/w pump and release valve, nose jacking						1	—	P	
4Q/1309	—	<b>JACK</b> , hydraulic, 8 ton, pillar, Type " B," c/w head adapter (for use when wheel changing)						1	—	P	
4Q/2625	—	<b>JACK</b> , hydraulic, 10 ton, four legged, Type " B," (for use on main-planes)						2	—	P	HA16
4Q/2618	—	<b>TRESTLE</b> , Mk. 1, nose jacking ... ..						1	—	P	
4Q/2652	—	<b>TRESTLE</b> , Mk. 1, jacking main-plane (for use with 10 ton jack)						2	—	P	HA16
4GB/	—	<b>TRESTLE</b> , universal No. 7, jacking extension wing (for use at rib No. 11 when wing is detached and inverted), c/w brackets Ref. Nos. 4GB/795 and 4GB/2456, bolts Ref. No. 29A/9435421, nuts Ref. No. 29A/1234 and non-skid shoes (for use on A/c carriers) (Ref. No. 4GB/808)						2	—	P	
4GB/	—	<b>TRESTLE</b> , universal No. 8, jacking extension wing (for use at rib No. 5 when wing is detached and inverted), c/w brackets Ref. Nos. 4GB/795 and 4GB/2456, bolts Ref. No. 29A/9435421, nuts Ref. No. 29A/1234 and non-skid shoes (for use on A/c carriers) Ref. No. 4GB/808)						2	—	P	
4GB/2554	—	<b>TRESTLE</b> , tailboom, Type " D," c/w brackets, bolts and nuts						4	—	P	

**EQUIPMENT, GROUND  
GROUND HANDLING EQUIPMENT  
(SPECIAL ORDER ONLY)**

Ref. No.	Part No.	Description	No. off	Material Specification	Class of Store or L.M.	Plate No.
	10-20 Y 1331A	<b>EQUIPMENT</b> , handling, for radar scanner and transmitter-receiver, assembly Spares for :—	1	—	—	HA19
4GC/4233	—	<b>ATTACHMENT</b> , hook-end, No. 4, for hoist ...	1	—	P	HA19
4GC/3360	—	<b>HOIST</b> , Type "C" (also used with main under-carriage handling equipment and wing pylons)	1	—	P	HA19
95085	10-20 Y 1333A	<b>MOUNTING</b> , scanner handling gear, assembly	1	—	P	HA19
	10-20 Y 1339A	<b>BRACKET</b> , support, assembly ...	1	—	—	HA19
	10-20 Y 3495A/ND	<b>PIN</b> , "Pip," c/w anchor cable, at support bracket, assembly	2	—	—	HA19
	10-20 Y 3493ND	<b>CABLE</b> , attachment, 5 cwt., 7'-0 long (Make from Ref. No. 28X/9949)	1	W9/2P	LM	HA19
	AVIATION DEVELOPMENTS 5134/508	<b>PIN</b> , "Pip," quick release, with handle ... Attachments for 10-20 Y 3495A/ND, Pin :—	1	—	C	HA19
28FP/870	A25/3C	Bolt, 2 BA ...	1	—	C	
28D/9133012	A27/CP	Nut, 2 BA ...	1	—	C	
28M/9403520	SP.14/C	Washer ...	2	—	C	
28W/9128924						
96107	10-20 Y 1337	<b>SPIGOT</b> ... Attachments for 10-20 Y 1337, Spigot :—	1	S.1	C	HA19
28D/1011238	A25/3E	Bolt, 1/2" BSF ...	4	—	C	
28M/12928	A27/EP	Nut, 1/2" BSF ...	4	—	C	
28W/7000392	SP.14/E	Washer ...	4	—	C	
	D.H.					
	PROPELLERS LTD.					
95201	PC.4806A	<b>SLING</b> , scanner ...	1	—	P	HA19
96408	DUNLOP A10915	<b>FIXTURE</b> , brake alignment (Mod. 8125) ...	1	—	P	HA27
4GB/5338	—	<b>FRAME</b> , universal, aircraft towing ...	1	—	P	
	IXT.8479	<b>GAUGE</b> , checking, boom alignment ...	1	—	—	
95137	10-20 Y 2771A	<b>GEAR</b> , restraining, engine running, assembly Spares for :—	1	—	P	HA27
95138	10-20 Y 3817A/ND	<b>CABLE</b> , assembly ...	1	—	P	HA27
	10-20 Y 4785A/ND	<b>HOOK</b> , attachment, assembly Spares for :—	1	—	—	HA27
95316	10-20 Y 4747	<b>NUT</b> , knurled, 1/2" BSF ...	1	S.92	C	HA27
95317	10-20 Y 4783	<b>NUT</b> , lock, knurled, 1/2" BSF ...	1	S.92	C	HA27
28P/1007741	SP.9/CB	<b>PIN</b> , split ...	1	—	C	
95315	10-20 Y 4749	<b>TRUNNION</b> ...	1	S.92	C	HA27
95314	10-20 Y 4757	<b>PIN</b> , shear, at link plates, securing cable thimble and link hook Attachments for 10-20 Y 4757, Pin :—	2	S.96	C	HA27
28P/1011084	SP.9/H14	Pin, split ...	1	—	C	
28W/9419472	SP.13/W	Washer ...	1	—	C	
95048	10-20 Y 887A	<b>GUARD</b> , air intake, Port, assembly ...	1	—	P	HA6
95049	10-20 Y 888A	<b>GUARD</b> , air intake, Starboard, assembly ... Spares for :—	1	—	P	HA6
	10-20 Y 903ND	<b>FELT</b> , covering for frame, 1/2" thick, covered in "Mechoflex"	QR	RS.4	LM	HA6
	10-20 Y 2527ND	<b>GUARD</b> , wire mesh, 1" squares x 14 SWG ... (For spares use 10-20 Y 5085ND)	1	Mild Steel	—	HA6
96237	10-20 Y 5085ND	<b>GUARD</b> , wire mesh, 1" squares x 14 SWG, 50" x 40" (Spares condition)	1	Mild Steel	P	

**EQUIPMENT, GROUND  
GROUND HANDLING EQUIPMENT  
(SPECIAL ORDER ONLY)**

Ref. No.	Part No.	Description	No. off	Material Specification	Class of Store or L.M	Plate No.
	10 Y 995	<b>HANDLE</b> , hook, plunger ... ..	2	DTD.423	—	HA6
26DV/4397	DHS.94/4/115	Attachments for 10Y 995, Handle :— Pin, ground steel, 1/8" dia. ... ..	1	—	C	HA6
19643	10-20 Y 3289A	<b>HOOK</b> , inboard, assembly ... ..	1	—	—	HA6
	10-20 Y 3061A	<b>HOOK</b> , outboard, assembly ... ..	1	—	C	HA6
96082	10 Y 1005	Spares for :— <b>BLOCK</b> , rubber, shore hardness 100°-120° ...	1	—	C	HA6
26DV/7618	DHS.94/4/80	<b>PIN</b> , ground steel, 1/8" dia. ... ..	1	—	C	HA6
	10-20 Y 907	<b>LABEL</b> , engraved "Port Guard ..... " 18 SWG	1	Anod. Alum'n	LM	HA6
	10-20 Y 909	<b>LABEL</b> , engraved, "Starboard Guard ..... " 18 SWG	1	Anod. Alum'n	LM	HA6
		Attachments for 10-20 Y 907 or 10-20 Y 909, Label to 10-20 Y 2769ND, Plate :—				
28M/9403519	A27/BP	Nut, 4 BA ... ..	4	—	C	
28S/9992525	A32/B12	Screw, 4 BA ... ..	4	—	C	
	10-20 Y 1325ND	<b>PIECE</b> , rubbing, 1/4" thick x 1/2" hose, shore hardness 50°-60°	1	Rubber	LM	HA6
		Attachments for 10-20 Y 1325ND, Piece :—				
28D/9419397	A25/12C	Bolt, 2 BA ... ..	1	—	C	
28M/9403520	A27/CP	Nut, 2 BA ... ..	1	—	C	
28W/17052	AS.1904/C10	Washer, saddle ... ..	2	—	C	
	10-20 Y 2769ND	<b>PLATE</b> , mounting label, 18 SWG ... ..	1	Anod. Alum'n	—	HA6
96461	10 Y 993	<b>SPRING</b> , hook plunger, 12 SWG ... ..	2	Spr. Stl.	—	HA6
	10-20 Y 1321ND	<b>STRIP</b> , felt retaining, Port, 18 SWG ... ..	2	L.72	LM	HA6
	10-20 Y 1322ND	<b>STRIP</b> , felt retaining, Starboard, 18 SWG ... ..	2	L.72	LM	HA6
	—	<b>HOIST</b> , lifting, stores to pylons and heavy stores pylons to wing, group	1	—	—	
4GC/4233	—	<b>ATTACHMENT</b> , hook-end, No. 4 ... ..	1	—	P	
4GC/3360	—	<b>HOIST</b> , Type C (also used with main u/c handling equipment and radar scanner handling equipment)	1	—	P	
	JXT.9280	<b>JIG-BAR</b> , boom alignment, side pegs ... ..	1	—	—	
	JXT.9279	<b>JIG-BAR</b> , boom alignment, top pegs ... ..	1	—	—	
95381	10-20 Y 9161A	<b>KIT</b> , housing, aerial alignment, wideband homer, c/w stowage box, assembly (Mod. 8096)	1	—	P	HA12
		Spares for :—				
	10-20 Y 9173A/ND	<b>BOX</b> , stowage, assembly ... ..	1	—	—	HA12
96366	10-20 Y 9087A	<b>HOUSING</b> , assembly ... ..	2	—	C	HA12
		Spares for :—				
96367	10-20 Y 9091	<b>NUT</b> , attachment, knurled, 4 BA ... ..	3	—	C	HA12
96368	10-20 Y 9089	<b>STUD</b> , attachment ... ..	3	—	C	HA12
		Attachments for 10-20 Y 9089, Stud :—				
28M/9403220	A27/CP	Nut, 2 BA ... ..	1	—	C	
28W/9419402	SP.13/C	Washer ... ..	1	—	C	

**EQUIPMENT, GROUND  
GROUND HANDLING EQUIPMENT  
(SPECIAL ORDER ONLY)**

Ref. No.	Part No.	Description	No. off	Material Specification	Class of Score or L.M.	Plate No.
95360	10-20 Y 5499A	<b>LADDER</b> , for pilot and navigator, assembly (Mod. 8041) Spares for :—	1	—	P	HA5
96053	10-20 Y 1551A	<b>MECHANISM</b> , ladder steady, assembly ... ..	1	—	P	HA5
26DV/8223	DHS.94/4/70	Spares for :— <b>PIN</b> , 1/8" dia., ground steel ... ..	1	—	C	HA5
96055	10-20 Y 1557	<b>RING</b> , captive ... ..	1	—	C	HA5
96054	10-20 Y 1555	<b>SPRING</b> , compression, 16 SWG ... ..	1	—	C	HA5
28D/1007468	AS.1242/3B	Attachments for 10-20 Y 1551A, Mechanism :—				
28M/9403519	A27/BP	Bolt, 4 BA ... ..	4	—	C	
		Nut, 4 BA ... ..	4	—	C	
	10-20 Y 719ND	<b>PAD</b> , bearing, 1/8" thick, synthetic rubber, shore hardness 30° to 40°	2	Neoprene	LM	HA5
95361	10-20 Y 4823	<b>PEG</b> , on handle, spring retaining (Mod. 8041) ...	1	—	C	HA5
96056	10 Y 1525	<b>PLUG-END</b> , at bottom of main upright member	2	—	C	HA5
26DV/4398	DHS.94/6/130	Attachments for 10 Y 1525, Plug-end :— Pin, 1/8" dia., ground steel ... ..	2	—	C	HA5
96278	10-20 Y 4961	<b>SPRING</b> , fastener, 18 SWG (Mod. 8041) ...	1	—	C	HA5
	10-20 Y 1141ND	<b>STRIP</b> , retaining bearing pads, 16 SWG ...	4	L.72	LM	HA5
28D/1007973	AS.1242/2B	Attachments for 10-20 Y 1141ND, Strip :—				
28M/10297	AGS.2001/B/2	Bolt, 4 BA ... ..	2	—	C	
		Nut, 4 BA ... ..	2	—	C	
	10-20 Y 1785ND	<b>STRIP</b> , retaining, for rubber tread, top platform. 0".55 x 16 SWG x 5".8 long	1	L.72	LM	HA5
28D/1007319	AS.1242/4B	Attachments for 10-20 Y 1785ND, Strip :—				
28M/10274	AGS.2001/B/4	Bolt, 4 BA ... ..	3	—	C	
		Nut, 4 BA ... ..	3	—	C	
	10-20 Y 8547A	<b>SUPPORT</b> , ladder, L.H., assembly (Mod. 8041)	1	—	—	HA5
	10-20 Y 4803A	<b>SUPPORT</b> , ladder, R.H., assembly ... ..	1	—	—	HA5
96277	10-20 Y 4811ND	Spares for :— <b>BUFFER</b> , rubber, 60°-70° shore hardness ...	1	—	C	HA5
28D/7002413	A25/14E	Attachments for 10-20 Y 8547A or 10-20 Y 4803A, Support :—				
28D/1011248	A25/16E	Bolt, 1/2" BSF ... ..	4	—	C	
28M/1011475	A27/EP	Bolt, 1/2" BSF ... ..	2	—	C	
28W/9418921	SP.13/E	Nut, 1/2" BSF ... ..	4	—	C	
		Washer ... ..	8	—	C	
	10-20 Y 5095ND	<b>TREAD</b> , top platform, fluted rubber matting, 1/2" thick	1	—	LM	HA5
	—	<b>LASHINGS</b> , aircraft undercarriage and tailbooms, group (Drg. No. 10-20 Y 69A)	1	—	—	HA22
Naval Patt. B10/9639	—	Spares for :— <b>CABLES</b> , securing, long (10-16 ft.) Ref. letters D, E, G (to be used as necessary)	10	—	P	
Naval Patt. B10/9640	—	<b>CABLES</b> , securing, short (3-10 ft.) Ref. letters A, B, C, F, H (To be used as necessary)	6	—	—	
95035	10-20 Y 1629A	<b>GEAR</b> , lashing, main undercarriage, assembly ... Spares for :—	2	—	P	HA22

**EQUIPMENT, GROUND  
GROUND HANDLING EQUIPMENT  
(SPECIAL ORDER ONLY)**

Ref. No.	Part No.	Description	No. off	Material Specification	Class of Store or L.M	Plate No.
	10-20 Y 83ND	<b>CABLE</b> , 5 cwt., 24"-0 long, retaining quick-release pin (Make from Ref. No. 28X/3495)	1	W9/4P	LM	HA22
28FP/1039	AGS.2106/827	<b>PIN</b> , "Pip," quick-release, with handle ...	1	—	C	HA22
95036	10-20 Y 1637A	<b>GEAR</b> , lashing, nose undercarriage, assembly ... Spares for :—	1	—	P	HA22
	10-20 Y 3459A/ND	<b>LUG</b> , lashing, Port, assembly ...	1	—	—	HA22
	10-20 Y 3033ND	<b>CABLE</b> , 5 cwt., 8"-0 long, retaining quick-release pin (Make from Ref. No. 28X/3495)	1	W9/4P	LM	HA22
96106	10-20 Y 2841	<b>LUG</b> , lashing ...	1	—	C	HA22
28FP/1038	AGS.2106/719	<b>PIN</b> , "Pip," quick-release, with handle ...	1	—	C	HA22
96106	10-20 Y 2841	<b>LUG</b> , lashing, Starboard ... Attachments for 10-20 Y 2841, Lug :—	1	—	C	HA22
28D/1212687	A25/19L	Bolt, $\frac{1}{16}$ " BSF ...	1	—	C	
28M/13553	A27/LP	Nut, $\frac{1}{16}$ " BSF ...	1	—	C	
28W/9419467	SP.13/L	Washer ...	1	—	C	
96104	10-20 Y 3023	<b>PLATE</b> , end, Port ...	1	—	C	HA22
96105	10-20 Y 3024	<b>PLATE</b> , end, Starboard ...	1	—	C	HA22
	—	<b>LOCKS</b> , safety, ground servicing, group ... Spares for :—	1	—	—	
95064	10-20 Y 2023A	<b>LOCK</b> , for holding one wing spread (For one wing power-folding), assembly	1	—	P	HA24
95101	10-20 Y 2711A	<b>LOCK</b> , ground servicing, air brake safety switch, assembly	1	—	P	HA4
	10-20 Y 2717ND	<b>CABLE</b> , 3 cwt., retaining flag and label ... (Make from Ref. No. 28X/5450)	1	W9/1P	LM	HA4
	4 Y 479A	<b>FLAG</b> , red, assembly ...	1	Calico	LM	HA4
	10-20 Y 2719	<b>LABEL</b> , engraved "10-20 Y 2711A, Ground Lock.....," 18 SWG	1	L.72	LM	HA4
28FP/869	AGS.2106/417	<b>PIN</b> , "Pip," quick-release, with handle ...	1	—	C	HA4
28Y/3004	SP.66/A	<b>THIMBLE</b> , flag and label attachment...	1	—	C	
95120	10-20 Y 2773A	<b>LOCK</b> , safety, rocket battery jack, assembly ... (Mod. 8005) Spares for :—	2	—	C	HA24
28D/1011240	A25/5E	<b>BOLT</b> , $\frac{1}{8}$ " BSF, attachment for lever safety lock	1	—	C	
	10-20 Y 2809ND	<b>CABLE</b> , 5 cwt. retaining flag 12"-0 long ... (Make from Ref. No. 28X/9949)	1	W9/2P	LM	HA24
	4 Y 479A	<b>FLAG</b> , red, assembly ...	1	Calico	LM	HA24
	10-20 Y 2795	<b>KNOB</b> ...	1	S.92	LM	HA24
96138	10-20 Y 2789A	<b>LEVER</b> , hand, assembly ... Spares for :—	1	—	C	HA24
96139	10-20 Y 2793ND	<b>SPRING</b> , leaf, $\frac{1}{8}$ " x 22 SWG ...	1	—	C	HA24
28M/9403520	A27/CP	<b>NUT</b> , 2 BA, locating knob on rod ...	1	—	C	
28M/7002430	AGS.2002/E/1	<b>NUT</b> , $\frac{1}{8}$ " BSF, attachment for lever safety lock	1	—	C	
96135	10-20 Y 2805	<b>PIN</b> , $\frac{3}{16}$ " dia., coupling rod to safety lock lever	1	—	C	HA24
	10-20 Y 2803	<b>PIN</b> , shouldered, fulcrum, for hand lever ... Attachments for 10-20 Y 2803, Pin :—	1	S.96	LM	HA24
96137	ANDERTON 1400/ $\frac{3}{16}$ "	Circlip, $\frac{1}{8}$ " ...	1	—	C	
28W/9419402	SP.13/C	Washer ...	1	—	C	
	10-20 Y 2797A	<b>ROD</b> , lock operating, $\frac{3}{16}$ " dia., threaded 2 BA, assembly	1	S.92	LM	HA24
	10-20 Y 2807ND	<b>SLEEVE</b> , inner (2 halves) $\frac{3}{16}$ " thick, synthetic rubber, shore hardness 35°—40°	1	Neoprene Rubber	LM	HA24

**EQUIPMENT, GROUND  
GROUND HANDLING EQUIPMENT  
(SPECIAL ORDER ONLY)**

Ref. No.	Part No.	Description	No. off	Material Specification	Class of Store or LM	Plate No.
96136	10-20 Y 2801 AS.2806/5/037	<b>SPRING</b> , 17 SWG ... .. <b>TUBE</b> , distance, attachment for lever safety lock, $\frac{5}{16}$ " o/d x 0.37" x 22 SWG	1 1	— T.35	C LM	HA24
28W/9418921	SP.13/E	<b>WASHER</b> , attachment, lever safety lock ...	1	—	C	
95059	10-20 Y 265A	<b>PIN</b> , ground locking, main undercarriage, assembly	2	—	C	HA20
95114	10-20 Y 2993A	<b>PIN</b> , ground locking, main undercarriage door, assembly (Mod. 8009)	2	—	C	HA20
	10-20 Y 2997ND	<b>CABLES</b> , 5 cwt. retaining flag and label ... (Make from Ref. No. 28X/9949)	1	W9/2P	LM	HA20
	4 Y 479A	<b>FLAG</b> , red, assembly ... ..	1	Calico	LM	HA20
	10-20 Y 2995	<b>LABEL</b> , engraved "Main undercarriage door .....pin" 18 SWG	1	L.72	LM	HA20
28FP/1048017	AGS.2106/413	<b>PIN</b> , "Pip," quick-release, with handle ...	1	—	C	HA20
95060	10-20 Y 267A	<b>PIN</b> , ground locking, nose undercarriage, assembly	1	—	C	HA20
95061	10-20 Y 259A	<b>PIN</b> , ground locking, nose-wheel, anti-castor, assembly	1	—	C	HA20
	10-20 Y 261ND	<b>CABLE</b> , 3 cwt. retaining flag and label ... (Make from Ref. No. 28X/5450)	1	W9/1P	LM	
	4 Y 479A	<b>FLAG</b> , red, assembly ... ..	1	Calico	LM	
	10-20 Y 1891	<b>LABEL</b> , engraved "10-20 Y 259A, Nose under- carriage, anti-castor pin," 20 SWG	1	L.72	LM	
	10-20 Y 263ND	<b>PIN</b> , locking (Make from Ref. No. 28P/1110, Part No. SP.4Y/H28)	1	—	LM	HA20
28Y/3004	SP.66/A	<b>THIMBLE</b> , flag and label attachment... ..	1	—	C	
95095	10-20 Y 2523A	<b>PIN</b> , ground locking, safety, for radome selector lever, assembly	1	—	C	HA20
	10 Y 157ND	<b>CABLE</b> , 3 cwt. retaining flag and label ... (Make from Ref. No. 28X/5450)	1	W9/1P	LM	
	4 Y 479A	<b>FLAG</b> , red, assembly ... ..	1	Calico	LM	
	10-20 Y 2525	<b>LABEL</b> , engraved "10-20 Y 2523A Safety Lock- ing Pin Radome Selector Lever," 20 SWG	1	L.72	LM	
28FP/825	AGS.2106/405	<b>PIN</b> , "Pip" quick-release, with handle ...	1	—	C	
28Y/3004	SP.66/A	<b>THIMBLE</b> , flag and label attachment... ..	1	—	C	
95100	10-20 Y 2505A	<b>SLEEVE</b> , safety, air brake jack, assembly ... Spares for :—	1	—	P	HA21
	10-20 Y 2553ND	<b>CABLE</b> , 10 cwt., retaining flag ... .. (Make from Ref. No. 28X/3445)	1	W9/5P	LM	HA21
	4 Y 479A	<b>FLAG</b> , red, assembly ... ..	1	Calico	LM	HA21
	10-20 Y 2545ND	<b>SLEEVE</b> , inner, synthetic rubber, $\frac{1}{4}$ " thick, bonded to process DHA.437	1	Neoprene	LM	HA21
96451	10-20 Y 2533	<b>SPRING</b> , 22 SWG ... ..	2	—	C	HA21
	10-20 Y 2763	<b>TALLY</b> , engraved "Dive brake jack....." 18 SWG	1	Brass	LM	HA21

**EQUIPMENT, GROUND  
GROUND HANDLING EQUIPMENT  
(SPECIAL ORDER ONLY)**

Ref. No.	Part No.	Description	No. off	Material Specification	Class of Score or L.M.	Plate No.
95044	10-20 Y 1589A	<b>PINS</b> , rigging, set of, complete in container ... Spares for :—	1	—	P	HA7
96304	10-20 Y 5255A	<b>PIN</b> , rigging, aileron drum on Rib No. 4, Port, assembly (Mod. 8050)	1	—	C	HA21
96305	10-20 Y 5257A	<b>PIN</b> , rigging, aileron drum on Rib No. 4, Starboard, assembly (Mod. 8050)	1	—	C	HA21
96307	10-20 Y 5263A	<b>PIN</b> , rigging, aileron trim lever, Starboard wing, Rib Nos. 9 and 10 (Mod. 8050)	1	—	C	HA21
96302	10-20 Y 5265A	<b>PIN</b> , rigging, air shut-off terminal pulley, Rib "O," assembly (Mod. 8050)	1	—	C	HA21
96308	10-20 Y 5261A	<b>PIN</b> , rigging, control column stick head, assembly (Mod. 8050)	1	—	C	HA21
	10-20 Y 789A	<b>PIN</b> , rigging, flap gear-box at track No. 4A, Port, assembly	1	—	—	HA20
	10 Y 151ND	<b>CABLE</b> , 3 cwt. (Make from Ref. No. 28X/5450)	1	W9/1P	LM	
	10-20 Y 847	<b>LABEL</b> , identification, 20 SWG ...	1	L.72	LM	
	10 Y 1567	<b>PIN</b> , 1/4" dia. ...	1	S.1	LM	
	10-20 Y 791A	<b>PIN</b> , rigging, flap gear-box at track No. 4A, Starboard, assembly	1	—	—	HA20
	10 Y 151ND	<b>CABLE</b> , 3 cwt. (Make from Ref. No. 28X/5450)	1	W9/1P	LM	
	10-20 Y 849	<b>LABEL</b> , identification, 20 SWG ...	1	L.72	LM	
	10 Y 1567	<b>PIN</b> , 1/4" dia. ...	1	S.1	LM	
	10-20 Y 795A	<b>PIN</b> , rigging, flap gear-box at track No. 1, L.H., assembly	1	—	—	HA20
	10 Y 151ND	<b>CABLE</b> , 3 cwt. (Make from Ref. No. 28X/5450)	1	W9/1P	LM	
	10-20 Y 853	<b>LABEL</b> , identification, 20 SWG ...	1	L.72	LM	
	10 Y 459	<b>PIN</b> , 1/4" dia. ...	1	S.1	LM	
	10-20 Y 797A	<b>PIN</b> , rigging, flap gear-box at track No. 1, R.H., assembly	1	—	—	HA20
	10 Y 151ND	<b>CABLE</b> , 3 cwt. (Make from Ref. No. 28X/5450)	1	W9/1P	LM	
	10-20 Y 855	<b>LABEL</b> , identification, 20 SWG ...	1	L.72	LM	
	10 Y 459	<b>PIN</b> , 1/4" dia. ...	1	S.1	LM	
	10-20 Y 799A	<b>PIN</b> , rigging, flap gear-box at track No. 2, L.H., assembly	1	—	—	HA20
	10 Y 151ND	<b>CABLE</b> , 3 cwt. (Make from Ref. No. 28X/5450)	1	W9/1P	LM	
	10-20 Y 857	<b>LABEL</b> , identification, 20 SWG ...	1	L.72	LM	
	10 Y 459	<b>PIN</b> , 1/4" dia. ...	1	S.1	LM	
	10-20 Y 801A	<b>PIN</b> , rigging, flap gear-box at track No. 2, R.H., assembly	1	—	—	HA20
	10 Y 151ND	<b>CABLE</b> , 3 cwt. (Make from Ref. No. 28X/5450)	1	W9/1P	LM	
	10-20 Y 859	<b>LABEL</b> , identification, 20 SWG ...	1	L.72	LM	
	10 Y 459	<b>PIN</b> , 1/4" dia. ...	1	S.1	LM	
	10-20 Y 803A	<b>PIN</b> , rigging, flap gear-box at track No. 4, L.H., assembly	1	—	—	HA20
	10 Y 151ND	<b>CABLE</b> , 3 cwt. (Make from Ref. No. 28X/5450)	1	W9/1P	LM	
	10-20 Y 861	<b>LABEL</b> , identification, 20 SWG ...	1	L.72	LM	
	10 Y 463	<b>PIN</b> , shouldered ...	1	S.1	LM	
	10-20 Y 805A	<b>PIN</b> , rigging, flap gear-box at track No. 4, R.H., assembly	1	—	—	HA20
	10 Y 151ND	<b>CABLE</b> , 3 cwt. (Make from Ref. No. 28X/5450)	1	W9/1P	LM	
	10-20 Y 863	<b>LABEL</b> , identification, 20 SWG ...	1	L.72	LM	
	10 Y 463	<b>PIN</b> , shouldered ...	1	S.1	LM	
	10-20 Y 1805A	<b>PIN</b> , rigging, flap radius rod, rib "O," assembly ...	1	—	—	HA20
	10 Y 151ND	<b>CABLE</b> , 3 cwt. (Make from Ref. No. 28X/5450)	1	W9/1P	LM	
	10-20 Y 1583	<b>LABEL</b> , identification, 20 SWG ...	1	L.72	LM	
	10-20 Y 1807	<b>PIN</b> , .186" dia. ...	1	S.92	LM	

EQUIPMENT, GROUND  
GROUND HANDLING EQUIPMENT  
(SPECIAL ORDER ONLY)

Ref. No.	Part No.	Description	No. off	Material Specification	Class of Store or L.M.	Place No.
	10-20 Y 831A	<b>PIN</b> , rigging, flap terminal pulley, Rib "O," assembly	1	—	—	HA20
	10 Y 151ND	<b>CABLE</b> , 3 cwt. (Make from Ref. No. 28X/5450)	1	W9/1P	LM	
	10-20 Y 1571	<b>LABEL</b> , identification, 20 SWG	1	L.72	LM	
	10-20 Y 1603	<b>PIN</b> , 1/4" dia.	1	S.1	LM	
	10-20 Y 1627A	<b>PIN</b> , rigging, forward lug on outer casing, nose leg, assembly	1	—	—	HA20
	10 Y 151ND	<b>CABLE</b> , 3 cwt. (Make from Ref. No. 28X/5450)	1	W9/1P	LM	
	10-20 Y 1581	<b>LABEL</b> , identification, 20 SWG	1	L.72	LM	
	10-20 Y 1799	<b>PIN</b> , 3/8" dia.	1	S.92	LM	
	10-20 Y 1811A	<b>PIN</b> , rigging, hook pulley, station 118"-5, Port cockpit, assembly	1	—	—	HA20
	10 Y 151ND	<b>CABLE</b> , 3 cwt. (Make from Ref. No. 28X/5450)	1	W9/1P	LM	
	10-20 Y 1585	<b>LABEL</b> , identification, 20 SWG	1	L.72	LM	
	10-20 Y 1605	<b>PIN</b> , 1/4" dia.	1	S.1	LM	
	10-20 Y 835A	<b>PIN</b> , rigging, hook selector, aft of spectacle beam, assembly	1	—	—	HA20
	10 Y 151ND	<b>CABLE</b> , 3 cwt. (Make from Ref. No. 28X/5450)	1	W9/1P	LM	
	10-20 Y 1575	<b>LABEL</b> , identification, 20 SWG	1	L.72	LM	
	10 Y 465	<b>PIN</b> , 1/4" dia.	1	S.1	LM	
	10-20 Y 833A	<b>PIN</b> , rigging, hook terminal pulley at spectacle beam, assembly	1	—	—	HA20
	10 Y 151ND	<b>CABLE</b> , 3 cwt. (Make from Ref. No. 28X/5450)	1	W9/1P	LM	
	10-20 Y 1573	<b>LABEL</b> , identification, 20 SWG	1	L.72	LM	
	10-20 Y 1605	<b>PIN</b> , 1/4" dia.	1	S.1	LM	
96303	10-20 Y 5253A	<b>PIN</b> , rigging, Phase 2, aileron gear under pilot's floor, assembly (Mod. 8050)	1	—	C	HA21
96124	10-20 Y 3031A	<b>PIN</b> , rigging, Phase 2, tail-plane gear change, Port, fin-head, assembly	1	—	C	HA21
96301	10-20 Y 5251A	<b>PIN</b> , rigging, Phase 2, tail-plane gear change under pilot's floor, assembly (Mod. 8050)	1	—	C	HA21
96125	10-20 Y 3021A	<b>PIN</b> , rigging, Phase 2, trim unit, Port fin-head, assembly	1	—	C	HA21
96306	10-20 Y 5259A	<b>PIN</b> , rigging, rudder pedals upper stays, assembly (Mod. 8050)	1	—	C	HA21
	10-20 Y 819A	<b>PIN</b> , rigging, temperature control valve, Port wing, main spar, assembly	1	—	—	HA20
	10 Y 151ND	<b>CABLE</b> , 3 cwt. (Make from Ref. No. 28X/5450)	1	W9/1P	LM	
	10-20 Y 877	<b>LABEL</b> , identification, 20 SWG	1	L.72	LM	
	10-20 Y 1601	<b>PIN</b> , 1.55" dia.	1	S.1	LM	
	10-20 Y 829A	<b>PIN</b> , rigging, Port, throttle lever, on gear-box beam, assembly	1	—	—	HA20
	10 Y 151ND	<b>CABLE</b> , 3 cwt. (Make from Ref. No. 28X/5450)	1	W9/1P	LM	
	10-20 Y 1569	<b>LABEL</b> , identification, 20 SWG	1	L.72	LM	
	10 Y 485	<b>PIN</b> , 1/4" dia.	1	S.1	LM	
	10-20 Y 827A	<b>PIN</b> , rigging, throttle terminal pulley, Port and Starboard, assembly	1	—	—	HA20
	10 Y 151ND	<b>CABLE</b> , 3 cwt. (Make from Ref. No. 28X/5450)	1	W9/1P	LM	
	10-20 Y 1567	<b>LABEL</b> , identification, 20 SWG	1	L.72	LM	
	10 Y 483	<b>PIN</b> , 1/4" dia.	1	S.1	LM	
	10-20 Y 807A	<b>PIN</b> , undercarriage bell-crank lever in throttle-box, assembly	1	—	—	HA20
	10 Y 151ND	<b>CABLE</b> , 3 cwt. (Make from Ref. No. 28X/5450)	1	W9/1P	LM	
	10-20 Y 865	<b>LABEL</b> , identification, 20 SWG	1	L.72	LM	
	10 Y 483	<b>PIN</b> , 1/4" dia.	1	S.1	LM	

**EQUIPMENT, GROUND  
GROUND HANDLING EQUIPMENT  
(SPECIAL ORDER ONLY)**

Ref. No.	Part No.	Description	No. off	Material Specification	Class of Store or L.M.	Plate No.
	10-20 Y 821A	<b>PIN</b> , rigging, under carriage, selector valve in Starboard wheel-bay, assembly	1	—	—	HA20
	10 Y 151ND	<b>CABLE</b> , 3 cwt. (Make from Ref. No. 28X/5450)	1	W9/1P	LM	
	10-20 Y 879	<b>LABEL</b> , identification, 20 SWG	1	L.72	LM	
	10 Y 465	<b>PIN</b> , 1/8" dia.	1	S.1	LM	
	10-20 Y 839A	<b>PIN</b> , rigging, wingfold latch guide block, Rib No. 4, assembly	1	—	—	HA20
	10 Y 151ND	<b>CABLE</b> , 3 cwt. (Make from Ref. No. 28X/5450)	1	W9/1P	LM	
	10-20 Y 1579	<b>LABEL</b> , identification, 20 SWG	1	L.72	LM	
	10 Y 483	<b>PIN</b> , 1/8" dia.	1	S.1	LM	
	10-20 Y 8103	<b>PLATE</b> , rack, rigging pin box, 16 SWG (Mod. 8050)	1	L.72	LM	HA7
	10-20 Y 333A	<b>SCREW</b> , setting, tail plane booster valve, Port and Starboard, assembly	2	—	—	HA21
	10-20 Y 337ND	<b>CABLE</b> , 3 cwt. between label and flag ... (Make from Ref. No. 28X/5450)	1	W9/1P	LM	
	10-20 Y 335ND	<b>CABLE</b> , 3 cwt. between screw and label ... (Make from Ref. No. 28X/5050)	1	W9/1P	LM	
	4 Y 479A	<b>FLAG</b> , red, assembly	1	Calico	LM	
	10-20 Y 339	<b>LABEL</b> , identification, 20 SWG	1	L.72	LM	
	H. M. HOBSON CH.83930	<b>SCREW</b> , thumb	1	—	—	
28Y/3004	SP.66/A	<b>THIMBLE</b> , brass	3	—	C	
95050	10-20 Y 1477A	<b>PLATE</b> , blanking, air intake, Port, assembly	1	—	P	HA6
95051	10-20 Y 1478A	<b>PLATE</b> , blanking, air intake, Starboard, assembly	1	—	P	HA6
	10 Y 1575	<b>BEARING</b> , flanged, handle shaft ... Attachments for 10Y1575, Bearing :—	1	BS.249	LM	HA6
28S/2331	AGS.252/42	Screw; wood, 6 gauge x 1 1/2" long	8	—	C	
	10-20 Y 1489A	<b>BLOCK</b> , clamp, assembly	1	—	—	HA6
	10 Y 1581ND	<b>BLOCK</b> , clamp	1	Hardwood	LM	HA6
	10-20 Y 9833ND	<b>BLOCK</b>	1	Hardwood	LM	HA6
	10-20 Y 3215	<b>COLLAR</b> , locating, 2" o/d x 0" 5 i/d (Mod. 8014) Attachments for 10-20 Y 3215, Collar :—	1	S.92	LM	HA6
28D/1013173	AS.1242/10C	Bolt, 2BA	4	—	C	
28M/1006473	A27/CT	Nut, 2BA	4	—	C	
28VV/9419402	SP.13/C	Washer	4	—	C	
96010	10 Y 1573	<b>HANDLE</b> , operating, clamp block	1	—	C	HA6

**EQUIPMENT, GROUND  
GROUND HANDLING EQUIPMENT  
(SPECIAL ORDER ONLY)**

Ref. No.	Part No.	Description	No. of	Material Specification	Class of Store of L.M.	Place No.
	10-20 Y 9081	<b>SEAL</b> , rubber ... ..	1	—	—	HA6
		Attachments for 10-20 Y 9081, Seal :—				
28D/1213722	AS.1248/9B	Bolt, 4 BA ... ..	2	—	C	
28D/1213720	AS.1248/11B	Bolt, 4 BA ... ..	40	—	C	
28M/9403519	A27/BP	Nut, 4 BA ... ..	42	—	C	
	10-20 Y 9083ND	Support, seal, Port, 3/8" thick, Plywood ... ..	1	V3 resin bonded	LM	HA6
	10-20 Y 9084ND	Support, seal, starboard, 3/8" thick, Plywood ... ..	1	V3 resin bonded	LM	HA6
28W/9419474	SP.15/B	Washer ... ..	42	—	C	
96012	10-20 Y 1487A	<b>SHAFT</b> , operating ... ..	1	—	C	HA6
96011	10 Y 1593	<b>SPRING</b> , handle ... ..	1	—	C	HA6
28W/9419468	SP.13/N	<b>WASHER</b> , spring seating ... ..	1	—	C	
95052	10-20 Y 1697A	<b>PLATE</b> , blanking, jet engine exit, assembly ... ..	2	—	P	HA6 HA29
		Spares for :—				
	10-20 Y 1747	<b>BLOCK</b> , stop ... ..	2	LFS.21 or 23	LM	HA29
		Attachments for 10-20 Y 1747, Block :—				
28D/1013173	AS.1242/10C	Bolt, 2 BA ... ..	2	—	C	
28M/9403520	A27/CP	Nut, 2 BA ... ..	2	—	C	
28W/9128924	SP.14/C	Washer ... ..	2	—	C	
	10-20 Y 1741A	<b>BRACKET</b> , guide, latch tube, assembly ... ..	2	—	—	HA29
	10-20 Y 1755ND	<b>BRACKET</b> , 14 SWG ... ..	1	L.72	LM	HA29
5K/—	SP.95/C24	<b>GROMMET</b> rubber (Alternative DHS.1790/C24)	1	—	C	
28N/9451836	SP.59/C	<b>BURR</b> , attachment for " Ferodo Bonrest " seating	50	—	C	
96102	10-20 Y 1739	<b>BUSH</b> , handle shaft ... ..	1	—	C	HA29
	10-20 Y 1745	<b>COLLAR</b> , locking handle shaft ... ..	1	L.55	LM	HA29

**EQUIPMENT, GROUND  
GROUND HANDLING EQUIPMENT  
(SPECIAL ORDER ONLY)**

Ref. No.	Part No.	Description	No. off	Material Specification	Class of Score or L.M	Plate No.	
							1
96414	10-20 Y 1729ND	<b>DISC</b> , blanking, 18 SWG ... .. (For spares use 10-20 Y 9197ND)	1	L.72	C	HA29	
	10-20 Y 9711ND	<b>DISC</b> , blanking, 18 SWG (Spares condition) ... (Mod. 8102)	1	L.72	P		
	10-20 Y 8889A/ND	<b>HANDLE</b> , c/w flag, assembly (Mod. 8082) ... Spares for :-	1	—	—	HA29	
	10-20 Y 1229ND	<b>CABLE</b> , 12"-0 long (Make from Ref. No. 28X/5450)	1	W9/1P	LM	HA29	
	4 Y 479A	<b>FLAG</b> , red, assembly ... ..	1	Calico	LM	HA29	
	10-20 Y 1743	<b>HANDLE</b> , locking ... ..	1	S.92	LM	HA29	
	10-20 Y 1757ND	<b>MEMBER</b> , semi-boundary, 18 SWG ... .. (For spares use 10-20 Y 5075ND)	2	L.72	—	HA29	
	96415	10-20 Y 9709ND	<b>MEMBER</b> , semi-boundary, 18 SWG ... .. (Spares condition) (Mod. 8102)	2	L.72	P	
	96103	10-20 Y 1731ND	<b>PLATE</b> , cover, 18 SWG ... ..	1	L.72	P	HA29
		10-20 Y 1735	<b>PLATE</b> , torque, 12 SWG ... ..	1	L.72	LM	HA29
	10-20 Y 777ND	<b>SEATING</b> , ".75 x $\frac{3}{8}$ " thick, "Ferodo Bonrest"	1	Grade FF	LM	HA29	
96101	10-20 Y 1737	<b>SHAFT</b> ... ..	1	L.64	C	HA29	
96416	10-20 Y 9655	<b>SPRING</b> (Mod. 8102) ... ..	4	—	C	HA29	
	10-20 Y 1733A	<b>TUBE</b> , latch, assembly ... ..	2	—	—	HA29	
96099	10-20 Y 2491	<b>DOME</b> , rubber head ... ..	1	—	C	HA29	
96098	10-20 Y 1749	<b>FORK-END</b> ... ..	1	L.64	C	HA29	
	10-20 Y 1751ND	<b>TUBE</b> , $\frac{3}{4}$ " o/d x 20 SWG ... ..	1	L.55	LM	HA29	
		Attachments for 10-20 Y 1733A, Tube :-					
28P/831	SP.4Y/B5	Pin, shackle, $\frac{3}{16}$ " ... ..	1	—	C		
28P/1007741	SP.9/C8	Pin, split ... ..	1	—	C		
	10-20 Y 5035	<b>PLATE</b> , blanking, for missile heat exchanger air intake at nose rib 3A (for use when missiles are not fitted), Port (Mod. 5073 for use on Pre Mod. 2 A/C) (Ref. Drg. No. 10-20 G 525)	1	L.72	—	HA6	
	10-20 Y 5029	<b>PLATE</b> , blanking, for missile heat exchanger air intake at nose rib 3A (for use when missiles are not fitted), Port (Mod. 5073 for use on Mod. 2 A/C) (Ref. Drg. No. 10-20 G 525)	1	L.72	—	HA6	
	10-20 Y 5036	<b>PLATE</b> , blanking, for missile heat exchanger air intake at nose rib 3A (for use when missiles are not fitted), Starboard (Mod. 5073) (Ref. Drg. 10-20 G 525)	1	L.72	—	HA6	
95020	10-20 Y 1525A	<b>PLATFORM</b> , general servicing assembly ... .. (For use with Pilot's and Navigator's ladder) Spares for :-	2	—	P	HA7	
	10-20 Y 1539ND	<b>BEARER</b> , $\frac{3}{8}$ " thick, black fluted rubber ... .. (Attach with Bostik "C")	2	Rubber	LM	HA7	
	10-20 Y 1543ND	<b>MAT</b> , platform, top, $\frac{1}{2}$ " thick, black fluted rubber (Attach with Bostik "C")	1	Rubber	LM	HA7	
	10-20 Y 1759ND	<b>STRIP</b> , retaining, 5"-85 long x ".75 wide x 18 SWG, at inner end of top platform	1	L.72	LM	HA7	
	10-20 Y 1681ND	<b>STRIP</b> , retaining, 5"-85 long x ".75 wide x 18 SWG, at outer end of top platform	1	L.72	LM	HA7	

**EQUIPMENT, GROUND  
GROUND HANDLING EQUIPMENT  
(SPECIAL ORDER ONLY)**

Ref. No.	Part No.	Description	No. off	Material Specification	Class of Store or L.M.	Place No.
95358	10-20 Y 5389A	<b>RACK</b> , stowage and transport, c/w rigging gauges, assembly (Mod. 8052) Spares for :—	1	—	P	HA23
95359	10-20 Y 8113A	<b>EQUIPMENT</b> , fuselage, levelling, assembly ... Spares for :—	1	—	P	HA23
96310	10-20 Y 8117	<b>PIN</b> , shouldered ... ..	2	S.80	C	HA23
96309	10-20 Y 8115	<b>SPRING</b> ... ..	2	Spr. Stl.	C	HA23
95083	10-20 Y 271A	<b>GAUGE</b> , checking tailplane and tailplane tab movement, assembly	1	—	P	HA23
95082	10-20 Y 1345A	<b>GAUGE</b> , rigging, wing, assembly ... ..	1	—	P	HA23
	10-20 Y 5393A/ND	<b>RACK</b> , less gauges, assembly ... .. Spares for :—	1	—	—	—
	10-20 Y 1315A/ND	<b>STRAP</b> , 4"-4 long, assembly ... ..	2	—	LM	HA23
	10-20 Y 1271A/ND	<b>STRAP</b> , 5"-3 long, assembly ... ..	1	—	LM	HA23
	10-20 Y 1269A/ND	<b>STRAP</b> , 5"-3 long, assembly ... .. Spares for Straps :—	1	—	LM	HA23
29G/2096	CARR FASTENER Co. 708A	<b>PLATE</b> , clinch ... ..	1	—	C	HA23
29G/2098	CARR FASTENER Co. N.608	<b>SOCKET</b> , "Dot" ... ..	1	—	C	HA23
	10-20 Y 1277ND	<b>STRAP</b> , 1/2" thick ... ..	1	Leather	—	HA23
29G/2172	CARR FASTENER Co. 248	<b>STUD</b> , "Dot" ... ..	1	—	C	HA23
	—	<b>SLINGS</b> , air-frame, group (Drg. Nos. 10-20 Y 1, and 10-20 Y 75) Spares for :—	1	—	—	—
95401	10-20 Y 4995A	<b>SLING</b> , complete aircraft, four legged, assembly (Mod. 8048) Spares for :—	1	—	P	HA8
	10-20 Y 8023A/ND	<b>CABLES</b> , forward, assembly (Mod. 8048) ...	1	—	—	HA8
96429	10-20 Y 8031A/ND	<b>CABLES</b> , rear, assembly (Mod. 8048) ...	2	—	C	HA8
96427	10-20 Y 8011A	<b>FITTING</b> , attachment, forward, assembly (Mod. 8048) Spares for :—	2	—	C	HA8
	DHS.1150/H/6"-0	<b>CABLE</b> , securing rubber cap, assembly	1	W9/1P	—	HA8
96069	10-20 Y 2515	<b>CAP</b> , synthetic rubber ... ..	1	DTD.560	C	HA8
	DHS.31/40	<b>CLIP</b> , for cable securing cap, 24 SWG ... Attachments for DHS.31/40, Clip :—	1	BS.265	LM	HA8
28D/1008149	A25/2B	Bolt, 4 BA ... ..	1	—	C	—
28M/9403519	A27/BP	Nut, 4 BA ... ..	1	—	C	—
	10-20 Y 2489	<b>HANDLE</b> ... ..	1	S.92 or S.93	—	HA8
	10-20 Y 397	<b>LABEL</b> , engraved "WARNING — Screw down tight" 18 SWG Attachments for 10-20 Y 397, Label :—	1	Brass	LM	HA8
28S/6655	PARKER KALON Type Z	Screw, binding head, No. 4 x 1/4" ... ..	4	—	C	—

**EQUIPMENT, GROUND  
GROUND HANDLING EQUIPMENT  
(SPECIAL ORDER ONLY)**

Ref. No.	Part No.	Description	No. off	Material Specification	Class of Store or L.M.	Plate No.
26FN/3285	DHS.180 Mk. 3/X	<b>LUG</b> , attachment for cable ... ..	1	—	C	HA8
28P/—	SP.4Y/F29	<b>PIN</b> , shouldered, locking ring-out ...	1	—	C	
28P/19234	SP.90/E8	<b>PIN</b> , split, securing locking pin (SP.9/E10)	1	—	C	
96428	10-20 Y 8015	<b>SPINDLE</b> (Mod. 8048) ... ..	1	—	C	HA8
		Attachments for 10-20 Y 8011A, Fitting :—				
28P/20027	SP.90/H12	Pin, split (SP.9/H14) ... ..	1	—	C	
28P/—	SP.4Y/W32	Pin, steel ... ..	1	—	C	
28W/9419429	SP.13/U	Washer ... ..	1	—	C	
96117	10-20 Y 383A	<b>FITTING</b> , attachment, rear, assembly ...	2	—	C	HA8
		Spares for :—				
	DHS.450/H/6"0	<b>CABLE</b> , securing rubber cap, assembly ...	1	W9/1P	—	HA8
96071	10-20 Y 2513	<b>CAP</b> , synthetic rubber ... ..	1	—	C	HA8
	DHS.31/34	<b>CLIP</b> , for cable, securing cap, 24 SWG ...	1	BS.265	LM	HA8
		Attachment for DHS.31/34, Clip :—				
28D/1008149	A25/2B	Bolt, 4 BA ... ..	1	—	C	
28M/9403519	A27/BP	Nut, 4 BA ... ..	1	—	C	
	10-20 Y 2489	<b>HANDLE</b> ... ..	1	S.92 or S.93	—	HA8
	10-20 Y 397	<b>LABEL</b> , engraved "WARNING — Screw down tight" 18 SWG	1	Brass	LM	HA8
		Attachments for 10-20 Y 397, Label :—				
28S/9508320	PARKER KALON Type Z	Screw, binding head, No. 4 x 1/4" ...	4	—	C	
26FN/3285	DHS.180.Mk. 3/X	<b>LUG</b> , attachment for cables ... ..	1	—	C	HA8
28P/1072	SP.4Y/F20	<b>PIN</b> , shouldered, locking ring-nut ...	1	—	C	
28P/19234	SP.90/E8	<b>PIN</b> , split, securing locking pin (SP.9/E10)	1	—	C	
96070	10-20 Y 2485	<b>SPINDLE</b> ... ..	1	—	C	HA8
		Attachments for 10-20 Y 383A, Fitting :—				
28P/19157	SP.90/G10	Pin, split (SP.9/G12) ... ..	1	—	C	
28P/17046	SP.4Y/P27	Pin, steel ... ..	1	—	C	
28W/9419469	SP.13/P	Washer ... ..	1	—	C	
28D/—	A25/21S	<b>LINK-PLATE</b> , connecting rear cables, group	1	—	—	
	10-20 Y 8019	<b>BOLT</b> , 3/8" BSF ... ..	3	—	C	
28M/9446651	A27/SP	<b>LINK-PLATE</b> , 1/2" thick (Mod. 8048) ...	2	S.510	—	HA8
28W/9419471	SP.13/S	<b>NUT</b> , 3/8" BSF ... ..	3	—	C	
95039	10-20 Y 427A	<b>WASHER</b> ... ..	3	—	C	
95040	10-20 Y 428A	<b>SLING</b> , for folding portion of wing, Port, assembly	1	—	P	HA9
		<b>SLING</b> , for folding portion of wing, Starboard, assembly	1	—	P	HA9
		Spares for :—				
96129	10-20 Y 2239A/ND	<b>CABLES &amp; RING</b> , Port, assembly ... ..	1	—	P	HA9
96130	10-20 Y 2240A/ND	<b>CABLES &amp; RING</b> , Starboard, assembly ...	1	—	P	HA9

**EQUIPMENT, GROUND  
GROUND HANDLING EQUIPMENT  
(SPECIAL ORDER ONLY)**

Ref. No.	Part No.	Description	No. off	Material Specification	Class of Store or LM	Plate No.
	10-20 Y 3141ND	<b>CABLE</b> , retaining. "Pip" pin at adjustment plates, 5 cwt. x 14"-0 long (Make from Ref. No. 28X/9949)	1	W9/2P	LM	HA9
96350	10-20 Y 2233A	<b>FORK-END</b> , tip, assembly	1	—	C	HA9
	10-20 Y 2241	<b>LABEL</b> , engraved "Screw up tight....." 20 SWG Attachments for 10-20 Y 2241, Label :—	1	Brass	LM	HA9
28S/9507448	PARKER KALON Type Z	Screw, No. 4 x $\frac{3}{8}$ "	4	—	C	
96140	10-20 Y 2237	<b>SPINDLE</b> Attachments for 10-20 Y 2233A, Fork-end :—	1	—	C	HA9
28P/1013112	SP.4Y/F19	Pin, shackle	1	—	C	
28P/9527619	SP.90/C7	Pin, split (SP.9/C8)	1	—	C	
28W/9419403	SP.13/G	Washer	1	—	C	
96351	10-20 Y 2227A	<b>HOOK</b> , attachment, for centre latch, port, assembly	1	—	C	HA9
96352	10-20 Y 2228A	<b>HOOK</b> , attachment, for centre latch, Starboard, assembly Spares for :—	1	—	C	HA9
	10-20 Y 3083ND	<b>FACING</b> , hook, bottom, Port, $\frac{1}{8}$ " thick, shore hardness 50°	1	Natural Rubber	LM	HA9
	10-20 Y 3084ND	<b>FACING</b> , hook, bottom, Starboard, $\frac{1}{8}$ " thick, shore hardness 50°	1	Natural Rubber	LM	HA9
	10-20 Y 2231ND	<b>FACING</b> , hook, top, port, $\frac{1}{8}$ " thick, shore hardness 50°	1	Natural Rubber	LM	HA9
	10-20 Y 2232ND	<b>FACING</b> , hook, top, Starboard, $\frac{1}{8}$ " thick, shore hardness 50° Attachments for 10-20 Y 2227A or 10-20 Y 2228A, Hook :—	1	Natural Rubber	LM	HA9
28P/1013112	SP.4Y/F19	Pin, shackle	1	—	C	
28P/9527619	SP.90/C7	Pin, split (SP.9/C8)	1	—	C	
28W/9419403	SP.13/G	Washer	1	—	C	
96353	10-20 Y 2221A	<b>HOOK</b> , attachment for rear latch fitting, Port assembly	1	—	C	HA9
96354	10-20 Y 2222A	<b>HOOK</b> , attachment for rear latch fitting, Starboard, assembly Spares for :—	1	—	C	HA9
	10-20 Y 3081ND	<b>FACING</b> , hook, bottom, Port, $\frac{1}{8}$ " thick, shore hardness 50°	1	Natural Rubber	LM	HA9
	10-20 Y 3082ND	<b>FACING</b> , hook, bottom, Starboard, $\frac{1}{8}$ " thick, shore hardness 50°	1	Natural Rubber	LM	HA9
	10-20 Y 2225ND	<b>FACING</b> , hook, rubber, top, Port, $\frac{1}{8}$ " thick, shore hardness 50°	1	Natural Rubber	LM	HA9
	10-20 Y 2226ND	<b>FACING</b> , hook, rubber, top, Starboard, $\frac{1}{8}$ " thick, shore hardness 50° Attachments for 10-20 Y 2221A or 10-20 Y 2222A, Hook :—	1	Natural Rubber	LM	HA9
28P/1069	SP.4Y/F17	Pin, shackle	1	—	C	
28P/9527619	SP.90/C7	Pin, split (SP.9/C8)	1	—	C	
28W/9419403	SP.13/G	Washer	1	—	C	

**EQUIPMENT, GROUND  
GROUND HANDLING EQUIPMENT  
(SPECIAL ORDER ONLY)**

Ref. No.	Part No.	Description	No. off	Material Specification	Class of Score or LM	Plate No.
	10-20 Y 313	<b>LABEL</b> , engraved "Sling, folding part of Port wing ..... " 18 SWG	1	Brass	LM	HA9
	10-20 Y 319	<b>LABEL</b> , engraved "Sling, folding part of Starboard wing ..... " 18 SWG	1	Brass	LM	HA9
28FP/1031	AVIATION DEVELOPMENTS 5134/511	<b>PIN</b> , "Pip," quick-release, with handle, at adjustment plates	1	—	C	HA9
96141	10-20 Y 2251A	<b>PIN</b> , special, quick-release at attachment hooks, centre and rear latches, assembly	2	—	C	HA9
28X/9949	—	<b>CABLE</b> , 5 cwt., 5'-0 long, retaining quick-release pin	QR	W9/2P	C	HA9
28FP/—	DZUS Type A.6½	<b>CIRCLIP</b> , spring wire type	1	—	C	
26FN/3285	DHS.180 Mk. 3/X	<b>TAG</b> , cable attachment	1	S.510 or S.511	C	HA9
28S/9131095	A31/C14	Attachments for 10-20 Y 2251A, Pin :—				
28W/11069	AGS.2035/C	Screw, 2 BA	1	—	C	
		Washer, shakeproof	1	—	C	
	10-20 Y 3845	<b>PLATE</b> , adjustment, 10"-7 × 1"-0 × ".25 thick	2	S.92 or S.510	LM	HA9
95024	10 Y 301A	<b>SLING</b> , fuselage, nose, assembly	1	—	P	HA12
	10 Y 299ND	Spares for :—				
		<b>BEAM</b> , cross, 4" × 2" × 15"-25 long, Alum. Alloy channels	2	BS.1161	—	HA12
		Attachments for 10 Y 299ND, Beam :—				
28D/9143793	A25/6N	Bolt, ½" BSF	2	—	C	
28M/13259	A27/NS	Nut, ½" BSF	2	—	C	
28P/12793	SP.9/E12	Pin, split	2	—	C	
28W/9419479	SP.15/N	Washer	2	—	C	
96073	10 Y 303A/ND	<b>CABLE</b> , front end, assembly	2	—	P	HA12
96076	10 Y 305A/ND	<b>CABLE</b> , rear end, assembly	2	—	P	HA12
		Spares for :—				
	10 Y 307ND	<b>CABLE</b> , steel, 70 cwt., 21"-10 long, front end (Make from Ref. No. 28X/3454)	QR	W9/55P	—	HA12
	10 Y 309ND	<b>CABLE</b> , steel, 45 cwt., 16"-0 long, rear end (Make from Ref. No. 28X/3452)	QR	W9/53P	—	HA12
28Y/6872	AGS.916/E	<b>PIN</b> , shackle	1	—	C	
28U/4070	SP.8Y/20	<b>ROLLER</b>	1	—	C	
28Y/6871	AGS.912/E	<b>SHACKLE</b> , bow	1	—	C	
28Y/3009	SP.66/F	<b>THIMBLE</b> , front end	1	—	C	
28Y/3007	SP.69/D	<b>THIMBLE</b> , rear end	1	—	C	
		Attachments for 10 Y 303A/ND or 10 Y 305A/ND, Cable :—				
28D/1011302	A25/10J	Bolt, ¾" BSF	1	—	C	
28M/1011473	A27/JP	Nut, ¾" BSF	1	—	C	
96075	10 Y 339	<b>EYE-BOLT</b>	4	S.1	C	HA12
96074	10 Y 313	<b>FORK-END</b> , eye-bolt	4	DTD.423	C	HA12
		Attachments for 10 Y 313, Fork-end :—				
28M/13587	A27/PP	Nut, ¾" BSF	1	—	C	
28W/9419469	SP.13/P	Washer	1	—	C	

EQUIPMENT, GROUND  
GROUND HANDLING EQUIPMENT  
(SPECIAL ORDER ONLY)

Ref. No.	Part No.	Description	No. of	Material Specification	Class of Store or L.M.	Plate No.
	10 Y 813	<b>LABEL</b> , engraved, " Nose Fuselage Sling....." 18 SWG	1	Brass	LM	HA12
28S/9088	PARKER KALON Type Z	Attachments for 10 Y 813, Label :— Screw, round head, No. 4 x $\frac{5}{16}$ "	4	—	C	
	10 Y 297ND	<b>PLATE</b> , lifting	1	DTD.423 or L.65	—	HA12
28D/1011260	A25/12G	Attachments for 10 Y 297ND, Plate :— Bolt, $\frac{5}{16}$ " BSF	10	—	C	
28M/1006939	A27/GP	Nut, $\frac{5}{16}$ " BSF	10	—	C	
28Y/6051	AGS.912/G	<b>SHACKLE</b> , bow, at lifting plate	1	—	C	
28Y/6055	AGS.916/G	Attachments for AGS.912/G, Shackle :— Pin, shackle	1	—	C	
95033	10-20 Y 67A	<b>SLING</b> , semi-aircraft, two legged, assembly	1	—	P	HA8
		Spares for :—				
	10-20 Y 2271A/ND	<b>CABLES</b> , c/w link, assembly	1	—	—	HA8
	10-20 Y 381A	<b>FITTING</b> , attachment, forward cable, assembly	1	—	—	HA8
	—	<b>CAP</b> , spindle thread protecting, group	—	—	—	
28D/1008149	A25/2B	<b>BOLT</b> , 4 BA	1	—	C	
28X/5450	—	<b>CABLE</b> , 3 cwt., 6"0 long, retaining cap	QR	W9/1P	C	HA8
96069	10-20 Y 2515	<b>CAP</b> , synthetic rubber	1	DTD.560	C	HA8
	DHS.31/40	<b>CLIP</b> , 24 SWG	1	BS.265	LM	HA8
28M/9403519	A27/BP	<b>NUT</b> , 4 BA	1	—	C	
26FN/3285	DHS.180 Mk. 3/X	<b>TAG</b> , cable attachment	1	S.510 or S.511	C	HA8
	10-20 Y 2489	<b>HANDLE</b>	1	S.92 or S.93	—	HA8
	10-20 Y 397	<b>LABEL</b> , engraved " Warning screw down tight " 18 SWG	1	Brass	LM	HA8
28S/6655	—	Attachments for 10-20 Y 397, Label :— Screw, Parker-Kalon, Type " Z " No. 4 x $\frac{1}{4}$ "	4	—	C	
28P/1077	SP.4Y/F25	<b>PIN</b> , shouldered, locking ring-nut	1	—	C	
28P/9429652	SP.9/E10	<b>PIN</b> , split, securing locking pin	1	—	C	
96068	10-20 Y 2487	<b>SPINDLE</b> , forward fork fitting	1	S.96	C	HA8
		Attachments for 10-20 Y 381A, Fitting :—				
28P/13400	SP.9/H14	Pin, split	1	—	C	
28P/—	SP.4Y/U28	Pin, steel	1	—	C	
28W/9419471	SP.13/S	Washer	1	—	C	
	10-20 Y 2081A	<b>FITTING</b> , attachment, rear cable, assembly	1	—	—	HA8
		Spares for :—				
	—	<b>CAP</b> , spindle thread protecting, group	—	—	—	
28D/1008149	A25/2B	<b>BOLT</b> , 4 BA	1	—	C	
28X/5450	—	<b>CABLE</b> , 3 cwt., 6"0 long, retaining cap	QR	W9/1P	C	HA8
96071	10-20 Y 2513	<b>CAP</b> , synthetic rubber	1	DTD.560	C	HA8
	DHS.31/40	<b>CLIP</b> , 24 SWG	1	BS.265	LM	HA8
28M/9403519	A27/BP	<b>NUT</b> , 4 BA	1	—	C	
26FN/3285	DHS.180 Mk. 3/X	<b>TAG</b> , cable attachment	1	S.510 or S.511	C	HA8
	10-20 Y 2489	<b>HANDLE</b>	1	S.92 or S.93	—	HA8

**EQUIPMENT, GROUND  
GROUND HANDLING EQUIPMENT  
(SPECIAL ORDER ONLY)**

Ref. No.	Part No.	Description	No. off	Material Specification	Class of Store or L.M.	Plate No.
	10-20 Y 397	<b>LABEL</b> , engraved "Warning screw down tight," 18 SWG	1	Brass	LM	HA8
	PARKER KALON	Attachments for 10-20 Y 397, Label :—				
28S/9508320	Type Z	Screw, No. 4 x 1/4" ... ..	4	—	C	
28P/1072	SP.4Y/F20	<b>PIN</b> , shouldered, locking ring-nut ... ..	1	—	C	
28P/19234	SP.90/E8	<b>PIN</b> , split, securing locking pin (SP.9/E10)	1	—	C	
96070	10-20 Y 2485	<b>SPINDLE</b> , rear fork fitting ... ..	1	—	C	HA8
		Attachments for 10-20 Y 2081A, Fitting :—				
28P/19157	SP.90/G10	Pin, split (SP.9/G12) ... ..	1	—	C	
28P/17046	SP.4Y/P27	Pin, steel ... ..	1	—	C	
28VV/9419469	SP.13/P	Washer ... ..	1	—	C	
95041	10-20 Y 225A	<b>SLING</b> , tail-boom assembly ... ..	1	—	P	HA10
	—	Spares for :—				
		<b>BRACKET &amp; SPIGOT</b> , group ... ..	1	—	—	
96065	10-20 Y 229	<b>BRACKET</b> , rear attachment, 12 SWG ...	1	—	C	HA10
		Attachments for 10-20 Y 229, Bracket :—				
28P/19234	SP.90/E8	Pin, split (SP.9/E10) ... ..	1	—	C	
28P/913	SP.4Y/G7	Pin, steel ... ..	1	—	C	
28U/4068	SP.8Y/18	Roller ... ..	1	—	C	
28VV/7000392	SP.14/E	Washer ... ..	1	—	C	
96066	10-20 Y 227	<b>SPIGOT</b> , attachment ... ..	1	—	C	HA10
		Attachments for 10-20 Y 227, Spigot :—				
28M/5808571	A27/GS	Nut, 5/8" BSF ... ..	1	—	C	
28P/9527619	SP.90/C7	Pin, split (SP.9/C8) ... ..	1	—	C	
28VV/1007697	SP.14/G	Washer ... ..	1	—	C	
	10-20 Y 2273A/ND	<b>CABLES</b> , assembly ... ..	1	—	—	HA10
		Spares for :—				
	10-20 Y 315	<b>LABEL</b> , engraved "Tailboom Sling" 18 SWG	1	Brass	LM	HA10
28R/5410	AGS.890A	<b>RING</b> , lifting ... ..	1	—	C	
96061	10-20 Y 1801A	<b>PLATE</b> , attachment, tailboom sling, assembly	2	—	P	HA10
96063	10-20 Y 247	<b>BOLT</b> , special, attachment ... ..	4	—	C	HA10
96064	10-20 Y 257	<b>KNOB</b> ... ..	4	—	C	HA10
28M/1011473	A27/JP	<b>NUT</b> , 3/8" BSF, securing spindle ... ..	1	—	C	
	10-20 Y 1787ND	<b>PLATE</b> , attachment, 14 SWG ... ..	1	S.514	LM	HA10
	10-20 Y 245	<b>PLATE</b> , bolt housing, 14 SWG ... ..	4	S.84	LM	HA10
	10-20 Y 255ND	<b>PLATE</b> , reinforcing, 12 SWG ... ..	1	S.514	LM	HA10
96062	10-20 Y 249	<b>SPINDLE</b> ... ..	1	—	C	HA10
28VV/9419466	SP.13/J	<b>WASHER</b> ... ..	1	—	C	
95042	10-20 Y 425A	<b>SLING</b> , tailplane, assembly ... ..	1	—	P	HA10
		Spares for :—				
	10-20 Y 2269A/ND	<b>CABLE</b> , assembly ... ..	1	—	—	HA10
		Spares for :—				
	10-20 Y 317	<b>LABEL</b> , engraved "Tailplane Sling....." 18 SWG	1	Brass	LM	HA10
28R/5410	AGS.890/A	<b>RING</b> , lifting ... ..	1	—	C	
28Y/6071	AGS.969/D	<b>THIMBLE</b> ... ..	3	—	C	
28X/5450	—	<b>CABLE</b> , 3 cwt. retaining quick-release pin, forward sling cable	QR	W9/1P	C	HA10

**EQUIPMENT, GROUND  
GROUND HANDLING EQUIPMENT  
(SPECIAL ORDER ONLY)**

Ref. No.	Part No.	Description	No. of	Material Specification	Class of Store or L.M	Place No.
28FP/953	AGS.2106/409	<b>PIN</b> , " Pip " quick-release with handle, for cable attachment	1	—	C	HA10
96067	10-20 Y 2041A	<b>SPINDLE</b> , assembly	2	—	C	HA10
28X/5450	—	Spares for :—				
28FP/977	AGS.2107/307	<b>CABLE</b> , 3 cwt., retaining quick-release pin	QR	W9/1P	C	HA10
		<b>PIN</b> , " Pip." quick-release, pull type	1	—	C	HA10
		Attachments for 10-20 Y 2041A, Spindle :—				
28D/1010031	A25/8E	Bolt, 1/4" BSF	1	—	C	
28M/1011467	A27/ES	Nut, 1/4" BSF	1	—	C	
28P/9527619	SP.90/C7	Pin, split (SP.9/C8)	1	—	C	
28W/9418921	SP.13/E	Washer	1	—	C	
95136	10-20 Y 3383A	<b>SLING</b> , wing, transport and stowage, two-legged, assembly	1	—	P	HA11
	—	Spares for :—				
	10-20 Y 3395ND	<b>CABLE</b> , main, group	1	—	—	
	—	<b>CABLE</b> , main, 1"-0 circm. wire x 5'3" (± 1/4") long, 80-90 tons/sq. in., 6 x 37 lay, breaking load 2.9 tons	1	BS.302	LM	HA11
	—	<b>THIMBLE</b> , ordinary type, for 1"-0 circm. wire rope	1	BS.464	—	
	10-20 Y 1621ND	<b>THIMBLE</b> , solid type, for 1"-0 circm. wire rope	1	BS.464	—	HA11
		Attachments for — Cable :—				
28P/1013108	SP.4Y/F18	Pin, 5/8" dia.	1	—	C	
28P/19234	SP.90/E8	Pin, split (SP.9/E10)	1	—	C	
28W/9419403	SP.13/G	Washer	1	—	C	
	—	<b>CABLE</b> , outboard, group	1	—	—	
	10-20 Y 3387ND	<b>CABLE</b> , outboard, 1"-0 circm. wire x 14'7" (± 1/2") long, 80-90 tons/sq. in., 6 x 37 lay, breaking load 2.9 tons	1	BS.302	LM	HA11
	BRITISH ROPES	<b>CLIP</b> , " Bulldog "	1	—	—	HA11
	10-20 Y 3775ND	<b>HOSE</b> , 3/8" i/d x 78"-0 long...	1	P.V.C.	—	HA11
	—	<b>THIMBLE</b> , ordinary type, for 1"-0 circm. wire rope	1	BS.464	—	
	10-20 Y 1621ND	<b>THIMBLE</b> , solid type, for 1"-0 circm. wire rope	1	BS.464	—	HA11
		Attachments for — Cable :—				
28P/1069	SP.47/F17	Pin, 5/8" dia.	1	—	C	
28P/19234	SP.90/E8	Pin, split (SP.9/E10)	1	—	C	
28W/9419402	SP.13/G	Washer	1	—	C	
	10-20 Y 3385ND	<b>CABLE</b> , 5 cwt., 10"-0 long, retaining quick-release pin at aileron hinge fitting (Make from Ref. No. 28X/3945)	1	W9/4P	LM	HA11
96148	10-20 Y 3381	<b>FITTING</b> , sling attachment, aileron hinge	1	—	C	HA11
		Attachments for 10-20 Y 3381, Fitting :—				
28P/1069	SP.4Y/F17	Pin, 5/8" dia.	1	—	C	
28P/19234	SP.90/E8	Pin, split (SP.9/E10)	1	—	C	
28W/9419403	SP.13/G	Washer	1	—	C	

**EQUIPMENT, GROUND  
GROUND HANDLING EQUIPMENT  
(SPECIAL ORDER ONLY)**

Ref. No.	Part No.	Description	No. off	Material Specification	Class of Store or L.M	Place No.
96131	10-20 Y 3379	<b>FITTING</b> , sling attachment, wing hinge ...	1	L.64	C	HA11
1013108	SP.4Y/F18	Attachments for 10-20 Y 3379, Fitting:—				
28P/1070	SP.9/E10	Pin, $\frac{3}{16}$ " dia. ...	1	—	C	
28P/9429652	SP.13/G	Pin, split ...	1	—	C	
28W/9419403		Washer ...	1	—	C	
	10-20 Y 3399	<b>LABEL</b> , engraved "Transport & Stowage" 18 SWG	1	Brass	LM	HA11
	10-20 Y 3773	<b>LINK</b> , swivel, between main cable and wing hinge fitting	1	L.64		HA11
96134	10-20 Y 3397	<b>PIN</b> , "Pip," special, $\frac{1}{16}$ " dia. quick-release, with handle, for aileron hinge fitting	1	—	C	HA11
28R/5411	AGS.890 Mk. B	<b>RING</b> , lifting ...	1	—	C	
	—	<b>SHEAR-PIN</b> , hinge fitting attachment to wing, group	1	—	—	
	10-20 Y 3389ND	<b>CABLE</b> , 5 cwt. x 6"-0 long, retaining "Pip" pin and collar to cable (Make from Ref. No. 28X/3495)	1	W9/4P	LM	HA11
	10-20 Y 3391ND	<b>CABLE</b> , 5 cwt. x 5"-0 long, retaining "Pip" pin to collar (Make from Ref. No. 28X/3495)	1	W9/4P	LM	HA11
	10-20 Y 3393ND	<b>CABLE</b> , 10 cwt. x 9"-0 long, retaining shear-pin to main cable (Make from Ref. No. 28X/3445)	1	W9/5P	LM	HA11
	10-20 Y 3375	<b>COLLAR</b> , shear-pin retaining, at wing hinge fitting, $1\frac{3}{16}$ " o/d x 17 SWG x 1"-2 long	1	DTD.348	LM	HA11
	AVIATION DEVELOPMENTS					
28FP/823	5134/413	<b>PIN</b> , "Pip," quick release, with handle, securing shear-pin	1	—	C	HA11
96132	10-20 Y 3377	<b>PIN</b> , shear ...	1	L.64	C	HA11
4GC/6178	—	<b>SLING</b> , engine change unit, group ...	1	—	—	
4GC/6177	—	<b>LINK</b> , adapter ...	1	—	P	
4GC/6080	—	<b>PLATE</b> , adapter ...	1	—	P	
	—	<b>SLING</b> , engine change unit (For Avon Mk. 208 engines) for use with overhead crane	1	—	P	
	—	<b>STENCILS</b> , access covers, (for indicating plain length of bolts on detachable panels on aircraft), group (Drg. Nos. 10-20 Y 4177 and 10-20 G 555) (Mod. 8023)	1	—	—	
95156	10-20 Y 3859	<b>STENCIL</b> , Code "A," for access cover (Part No. 10-20 WE 1017A) for compensator in extension wing leading edge, bottom skin, between rib Nos. 9A and 10, Port	1	Zinc Sheet	C	
95157	10-20 Y 3860	<b>STENCIL</b> , Code "A," for access cover (Part No. 10-20 WE 1018A) for compensator in extension wing leading edge, bottom skin, between rib Nos. 9A and 10, Starboard	1	Zinc Sheet	C	
95339	10-20 Y 4179	<b>STENCIL</b> , Code "AA," for access cover (Part Nos. 10-20 TF 1907A or 10-20 TF 2031A) auto-stabilizer trim actuator, Port fin	1	Zinc Sheet	C	

**EQUIPMENT, GROUND  
GROUND HANDLING EQUIPMENT  
(SPECIAL ORDER ONLY)**

Ref. No.	Part No.	Description	No. off	Material Specification	Class of Store or L.M.	Plate No.
95351	10-20 Y 4180	<b>STENCIL</b> , Code "AA," for access cover (Part Nos. 10-20 TF 1908A or 10-20 TF 2032A) auto-stabilizer trim actuator, Starboard fin	1	Zinc Sheet	C	
95334	10-20 Y 4863	<b>STENCIL</b> , Code "BB," for outer access covers (Part No. 10-20 WE 3029) in leading edge, bottom skin at front spar, between nose rib Nos. 5 and 6, 6 and 6A, 6A and 7, 7 and 8, extension wing (Mod. 8047)	1	Zinc Sheet	C	
95333	10-20 Y 4857	<b>STENCIL</b> , Code "CC," for inner access cover (Part No. 10-20 WE 3029) in leading edge, between nose rib Nos. 4A and 4B, extension wing (Mod. 8047)	1	Zinc Sheet	C	
95160	10-20 Y 3863	<b>STENCIL</b> , Code "D," for outboard pylon access panel (Part No. 10-20 WC 28881A), Port	1	Zinc Sheet	C	
95161	10-20 Y 3864	<b>STENCIL</b> , Code "D," for outboard pylon access panel (Part No. 10-20 WC 28882A), Starboard	1	Zinc Sheet	C	
95331	10-20 Y 4861	<b>STENCIL</b> , Code "DD," for access cover (Part No. 10-20 WC 28519) bottom skin, wing-fold jack, main plane, Port (Mod. 8047)	1	Zinc Sheet	C	
95332	10-20 Y 4862	<b>STENCIL</b> , Code "DD," for access cover (Part No. 10-20 WC 28519) bottom skin, wing-fold jack, main plane, Starboard (Mod. 8047)	1	Zinc Sheet	C	
95167	10-20 Y 3861	<b>STENCIL</b> , Code "E," for inboard pylon access panel (Part No. 10-20 WC 28879A), Port	1	Zinc Sheet	C	
95168	10-20 Y 3862	<b>STENCIL</b> , Code "E," for inboard pylon access panel (Part No. 10-20 WC 28880A), Starboard	1	Zinc Sheet	C	
95352	10-20 Y 5055	<b>STENCIL</b> , Code "F," for access cover (Part No. 10-20 WE 1025A) in extension wing leading edge, bottom skin, between nose rib Nos. 8 and 9, Port	1	Zinc Sheet	C	
95353	10-20 Y 5056	<b>STENCIL</b> , Code "F," for access cover (Part No. 10-20 WE 1025A) in extension wing leading edge, bottom skin, between nose rib Nos. 8 and 9, Starboard	1	Zinc Sheet	C	
95163	10-20 Y 3857	<b>STENCIL</b> , Code "G," for access cover (Part No. 10-20 WE 1023A) in extension wing leading edge, bottom skin, between nose rib Nos. 11 and 11A, Port	1	Zinc Sheet	C	
95164	10-20 Y 3858	<b>STENCIL</b> , Code "G," for access cover (Part No. 10-20 WE 1024A) in extension wing leading edge, bottom skin, between nose rib Nos. 11 and 11A, Starboard	1	Zinc Sheet	C	
95162	10-20 Y 3835	<b>STENCIL</b> , Code "H," for access cover (Part No. 10-20 WE 1019A) extension wing leading edge, bottom skin, between nose rib Nos. 10 and 10A and nose rib Nos. 12 and 13	1	Zinc Sheet	C	

EQUIPMENT, GROUND  
GROUND HANDLING EQUIPMENT  
(SPECIAL ORDER ONLY)

Ref. No.	Part No.	Description	No. off	Material Specification	Class of Store or L.M	Plate No.
95169	10-20 Y 3869	<b>STENCIL</b> , Code "I," for access plate (Part No. 10-20 WE 3217ND) in top skin, forward inboard corner of extension wing, leading edge, Port	1	Zinc Sheet	C	
95170	10-20 Y 3870	<b>STENCIL</b> , Code "I," for access plate (Part No. 10-20 WE 3218ND) in top skin, forward inboard corner of extension wing, leading edge, Starboard	1	Zinc Sheet	C	
95200	10-20 Y 3949	<b>STENCIL</b> , Code "K," for access cover (Part No. 10-20 TF 1901) trim unit, inner skin, Port fin	1	Zinc Sheet	C	
95149	10-20 Y 3819	<b>STENCIL</b> , Code "L," for manhole cover, (Part No. 10-20 WC 16097) tank No. 2, main plane	1	Zinc Sheet	C	
95338	10-20 Y 4731	<b>STENCIL</b> , Code "LL," for access covers (Part No. 10-20 TB 363 or 10-20 TB 364) between frame No. 7 and fin joint rib, inboard and outboard, Port and Starboard	1	Zinc Sheet	C	
95150	10-20 Y 3825	<b>STENCIL</b> , Code "M," for manhole cover (Part No. 10-20 WE 3817A) at rib No. 5, aft, extension wing, Port	1	Zinc Sheet	C	
95151	10-20 Y 3826	<b>STENCIL</b> , Code "M," for manhole cover (Part No. 10-20 WE 3818A) at rib No. 5, aft, extension wing, Starboard	1	Zinc Sheet	C	
95152	10-20 Y 3827	<b>STENCIL</b> , Code "N," for manhole cover (Part No. 10-20 WE 3815A) at rib No. 7, forward, extension wing	1	Zinc Sheet	C	
95153	10-20 Y 3823	<b>STENCIL</b> , Code "P" and "Q," for manhole covers (Part Nos. 10-20 WE 3811A or 10-20 WE 3813A), tank No. 4, extension wing	1	Zinc Sheet	C	
95154	10-20 Y 3829	<b>STENCIL</b> , Code "R," for manhole cover (Part No. 10-20 WE 3821A), tank No. 3, extension wing, Port	1	Zinc Sheet	C	
95155	10-20 Y 3830	<b>STENCIL</b> , Code "R," for manhole cover (Part No. 10-20 WE 3823A), tank No. 3, extension wing, Starboard	1	Zinc Sheet	C	
<del>95366</del>	<del>10-20 Y 3684</del>	<b>STENCIL</b> , Code "S," for access cover (Part No. 10-20 TF <del>2003</del> <sup>2003</sup> ), to tailplane phase 2 control unit in fin head, Port (Mod. <del>0007</del> <sup>8114</sup> ) <i>AL 52</i>	1	Zinc Sheet	C	
95180	10-20 Y 3879	<b>STENCIL</b> , Code "T," for access cover (Part No. 10-20 TF 1179A), to tailplane booster, Port fin	1	Zinc Sheet	C	
95181	10-20 Y 3880	<b>STENCIL</b> , Code "T," for access cover (Part No. 10-20 TF 1180A), to tailplane booster, Starboard fin	1	Zinc Sheet	C	
95179	10-20 Y 3877	<b>STENCIL</b> , Code "U," for access cover (Part No. 10-20 TF 7A), to trim actuator in fin head, Port	1	Zinc Sheet	C	
95182	10-20 Y 3881	<b>STENCIL</b> , Code "V," for access cover (Part No. 10-20 TF 873A), at hydraulic pipe connections and auto-pilot cables on inner skin, fin head, Port	1	Zinc Sheet	C	

**EQUIPMENT, GROUND  
GROUND HANDLING EQUIPMENT  
(SPECIAL ORDER ONLY)**

Ref. No.	Part No.	Description	No. off	Material Specification	Class of Store or L.M	Plate No.
95173	10-20 Y 3821	<b>STENCIL</b> , Code "W," for access cover (Part No. 10-20 TF 1903A), tailplane booster in outer skin of Port fin head	1	Zinc Sheet	C	
95196	10-20 Y 3945	<b>STENCIL</b> , Code "X," for inboard portion of upper access panel (Part No. 10-20 WC 11549A), along front spar at rear of leading edge air intake, Port	1	Zinc Sheet	C	
95197	10-20 Y 3946	<b>STENCIL</b> , Code "X," for inboard portion of upper access panel (Part No. 10-20 WC 11549A), along front spar at rear of leading edge air intake, Starboard	1	Zinc Sheet	C	
95198	10-20 Y 3947	<b>STENCIL</b> , Code "X," for outboard portion of upper access panel (Part No. 10-20 WC 11549A), along front spar at rear of leading edge air intake, Port	1	Zinc Sheet	C	
95199	10-20 Y 3948	<b>STENCIL</b> , Code "X," for outboard portion of upper access panel (Part No. 10-20 WC 11549A), along front spar at rear of leading edge air intake, Starboard	1	Zinc Sheet	C	
95174	10-20 Y 3871	<b>STENCIL</b> , Code "Y," for bottom access panel (Part No. 10-20 WC 11543A), along front spar at rear of leading edge air intake, Port	1	Zinc Sheet	C	
95175	10-20 Y 3872	<b>STENCIL</b> , Code "Y," for bottom access panel (Part No. 10-20 WC 11544A), along front spar at rear of leading edge air intake, Starboard	1	Zinc Sheet	C	
95176	10-20 Y 3873	<b>STENCIL</b> , Code "Z," for fuselage intake panel, (Part No. 10-20 WC 12001A) bottom, Port	1	Zinc Sheet	C	
95177	10-20 Y 3874	<b>STENCIL</b> , Code "Z," for fuselage intake panel, (Part No. 10-20 WC 12002A) bottom, Starboard	1	Zinc Sheet	C	
95187	10-20 Y 3929	<b>STENCIL</b> , Code "1," for various access covers "All bolts 0"1"	1	Zinc Sheet	C	
95185	10-20 Y 3927	<b>STENCIL</b> , Code "1A," for fuselage intake panel (Part No. 10-20 WC 11909A), top, Port	1	Zinc Sheet	C	
95186	10-20 Y 3928	<b>STENCIL</b> , Code "1A," for fuselage intake panel (Part No. 10-20 WC 11910A) top, Starboard	1	Zinc Sheet	C	
95183	10-20 Y 3925	<b>STENCIL</b> , Code "1B," for access cover (Part No. 10-20 WC 11963) on upper skin of air intake, between rib Nos. 1 and 1A, Port	1	Zinc Sheet	C	
95184	10-20 Y 3926	<b>STENCIL</b> , Code "1B," for access cover (Part No. 10-20 WC 11964) on upper skin of air intake, between rib Nos. 1 and 1A, Starboard	1	Zinc Sheet	C	
95194	10-20 Y 3943	<b>STENCIL</b> , Code "1C," for access covers (Part Nos. 10-20 WC 25461 or 10-20 WC 25639) inboard, on lower lip of leading edge air intake, at nose rib Nos. 1 and 1A, Port	1	Zinc Sheet	C	

**EQUIPMENT, GROUND  
GROUND HANDLING EQUIPMENT  
(SPECIAL ORDER ONLY)**

Ref. No.	Part No.	Description	No. off	Material Specification	Class of Store or L.M.	Plate No.
95195	10-20 Y 3944	<b>STENCIL</b> , Code "1C," for access covers (Part Nos. 10-20 WC 25462 or 10-20 WC 25640) inboard, on lower lip of leading edge air intake, at nose rib Nos. 1 and 1A, Starboard	1	Zinc Sheet	C	
95371	10-20 Y 8577	<b>STENCIL</b> , Code "1D," for subsidiary manhole cover (Part No. 10-20 WC 40755A/ND) main spar, main plane, Port (Mod. 8079)	1	Zinc Sheet	C	
95372	10-20 Y 8578	<b>STENCIL</b> , Code "1D," for subsidiary manhole cover (Part No. 10-20 WC 40756A/ND) main spar, main plane, Starboard (Mod. 8079)	1	Zinc Sheet	C	
95188	10-20 Y 3931	<b>STENCIL</b> , Code "2," for various access covers, "All bolts 0"-2"	1	Zinc Sheet	C	
95189	10-20 Y 3933	<b>STENCIL</b> , Code "3," for various access covers, "All bolts 0"-3"	1	Zinc Sheet	C	
95190	10-20 Y 3935	<b>STENCIL</b> , Code "4," for access cover (Part No. 10-20 WC 6425A) extension wing l/e bottom skin, outboard of rib No. 2, "All bolts 0"-4"	1	Zinc Sheet	C	
95191	10-20 Y 3937	<b>STENCIL</b> , Code "5," for access cover plates under stub booms, "All bolts 0"-5"	1	Zinc Sheet	C	
95192	10-20 Y 3939	<b>STENCIL</b> , Code "6," for manhole cover (Part No. 10-20 WC 15617A) tank No. 1A, main plane and cover plates, stub boom, top, "All bolts 0"-55"	1	Zinc Sheet	C	
95193	10-20 Y 3941	<b>STENCIL</b> , Code "7," for access cover plates (Part Nos. 10-20 WC 15081A/ND or 10-20 WC 15082A/ND) under stub booms, "All bolts 0"-6"	1	Zinc Sheet	C	
	—	<b>STENCILS</b> , calibration, tail-fin and tail-plane, group Spares for :—	1	—	—	
95147	10-20 Y 3839A	<b>STENCIL</b> , calibration, tail fin, Port, assembly	1	—	C	HA25
95148	10-20 Y 3840A	<b>STENCIL</b> , calibration, tail fin, Starboard, assembly	1	—	C	HA25
95145	10-20 Y 3837A	<b>STENCIL</b> , calibration, tail plane, Port, assembly	1	—	C	HA25
95146	10-20 Y 3838A	<b>STENCIL</b> , calibration, tail plane, Starboard, assembly Spares for :—	1	—	C	HA25
	10-20 Y 3489ND	<b>BRACKET</b> , angle, stencil locating, 20 SWG ...	2	L.72	—	
	10-20 Y 9199	<b>STENCIL</b> , heavy stores pylon (for indicating plain length of bolts)	1	Zinc Sheet	—	
95117	10-20 Y 2743A	<b>STRUT</b> , jury, radome, assembly ... .. Spares for :—	1	—	P	HA25
96128	10-20 Y 3419A/ND	<b>BOLT</b> , latch, assembly ... .. Spares for :—	1	—	C	HA25
96077	10-20 Y 2755	<b>BOLT</b> , latch, threaded 5/8" BSF ... ..	1	S.15	C	HA25
96078	10-20 Y 2753	<b>KNOB</b> , locking ... ..	1	S.93	C	HA25
96079	DHS.94/4/85	<b>PIN</b> , ground steel, 1/8" dia. ... ..	1	S.96	C	HA25
	10-20 Y 2757	<b>WASHER</b> , fibre, 1/8" thick ... ..	1	Red Fibre	LM	HA25
		Attachments for 10-20 Y 3419A/ND, Bolt :—				
28P/870	SP.4Y/D12	Pin, shackle, 1/4" dia. ... ..	1	—	C	
28P/1007741	SP.9/C8	Pin, split ... ..	1	—	C	
28W/9418921	SP.13/E	Washer ... ..	1	—	C	

**EQUIPMENT, GROUND  
GROUND HANDLING EQUIPMENT  
(SPECIAL ORDER ONLY)**

Ref. No.	Part No.	Description	No. off	Material Specification	Class of Store or LM	Place No.
96145	10-20 Y 3421A/ND	<b>END-FITTING</b> , c/w quick release pin, assembly	1	—	P	HA25
	10-20 Y 2749ND	<b>CABLE</b> , 5 cwt., 7'-0 long, retaining, quick-release pin (Make from Ref. No. 28X/9949)	1	W9/2P	LM	HA25
	10-20 Y 3509A	<b>END-FITTING</b> , assembly ... ..	1	—	—	HA25
	10-20 Y 3503	<b>END-FITTING</b> ... ..	1	S.93	—	HA25
96147	10-20 Y 3621	<b>PIN</b> , threaded, 2 BA ... ..	1	S.96	C	HA25
96146	10-20 Y 3505	<b>RING</b> , locking ... ..	1	S.93	C	HA25
	AVIATION DEVELOPMENTS					
28FP/—	5134/425	<b>PIN</b> , "Pip," quick-release, with handle ...	1	—	C	HA25
		Attachments for 10-20 Y 3421A/ND, End-Fitting :—				
28P/870	SP.4Y/D12	Pin, shackle, 1/2" dia. ... ..	1	—	C	
28P/1007741	SP.9/C8	Pin, split ... ..	1	—	C	
28W/9418921	SP.13/E	Washer ... ..	1	—	C	
	10-20 Y 3415	<b>STRUT</b> ... ..	1	S.92	—	HA25
95038	10-20 Y 201A	<b>STRUT</b> , jury, wing-fold, assembly ... ..	2	—	P	HA13
		Spares for :—				
96020	10-20 Y 485A	<b>EYE-END</b> , for top strut attachment fitting, assembly	1	—	C	HA13
		Spares for :—				
96021	10-20 Y 477	<b>BUSH</b> , bearing, flanged ... ..	2	DTD.197	C	HA13
28N/13513	HOFFMANN CJ.5	<b>JOINT</b> , self aligning ... ..	1	—	C	HA13
		Attachments for 10-20 Y 485A, Eye-end :—				
26DV/5281	DHS.94/8/220	Pin, ground steel, 1/2" dia. (For replacement use Part DHS.94/9/220)	2	S.96	C	HA13
96113	DHS.94/9/220	Pin, ground steel, 3/8" dia. (Oversize replacement for Part No. DHS.94/8/220)	2	S.96	C	HA13
96017	10-20 Y 463A	<b>FITTING</b> , strut attachment, bottom, assembly	1	—	C	HA13
		Spares for :—				
28D/1008149	A25/2B	<b>CAP</b> , protective, group ... ..	1	—	—	
28X/5450	—	<b>BOLT</b> , 4 BA, for clip ... ..	1	—	C	
96014	10-20 Y 2035	<b>CABLE</b> , 3 cwt., 6'-0 long, cap retaining ...	QR	W9/1P	C	HA13
	DHS.31/2	<b>CAP</b> , synthetic rubber ... ..	1	DTD.560	C	HA13
28M/9403519	A27/BP	<b>CLIP</b> , cap securing, 20 SWG ... ..	1	S.511	LM	HA13
26FN/3285	DHS.180 Mk. 3/X	<b>NUT</b> , 4 BA ... ..	1	—	C	
		<b>TAG</b> , cable attachment ... ..	1	S.510	C	HA13
		Attachment for—Cap group :—				
28S/14897	PARKER KALON Type Z	Screw, round head, No. 8 x 5/16" ... ..	1	—	C	
	10-20 Y 467	<b>HANDLE</b> , spanner ... ..	1	Tufcor Tool Steel	LM	HA13
96018	10-20 Y 491	<b>NUT</b> , ring, bottom spindle retaining ...	1	S.92	C	HA13
96019	10-20 Y 473	<b>SPINDLE</b> , bottom ... ..	1	S.96	C	HA13
96013	10-20 Y 465A	<b>FITTING</b> , strut attachment, top, assembly	1	—	C	HA13
		Spares for :—				
28D/1008149	A25/2B	<b>CAP</b> , protective, group ... ..	1	—	—	
28X/5450	—	<b>BOLT</b> , 4 BA, for clip ... ..	1	—	C	
96014	10-20 Y 2035	<b>CABLE</b> , 3 cwt. 6'-0 long, cap retaining ...	QR	W9/1P	C	HA13
	DHS.31/2	<b>CAP</b> , synthetic rubber ... ..	1	DTD.560	C	HA13
28M/9403519	A27/BP	<b>CLIP</b> , cap securing, 20 SWG ... ..	1	S.511	LM	HA13
		<b>NUT</b> , 4 BA ... ..	1	—	C	

**EQUIPMENT, GROUND  
GROUND HANDLING EQUIPMENT  
(SPECIAL ORDER ONLY)**

Ref. No.	Part No.	Description	No. off	Material Specification	Class of Store or L.M.	Place No.
26FN/3285	DHS.180 Mk. 3/X	<b>TAG</b> , cable attachment ... ..	1	—	C	HA13
		Attachment for Cap. group :—				
28S/1214071	PARKER KALON Type Z	Screw, round head, No. 8 × $\frac{5}{16}$ " ... ..	1	—	C	
96015	10-20 Y 471	<b>NUT</b> , ring, top spindle retaining ... ..	1	—	C	HA13
96016	10-20 Y 475	<b>SPINDLE</b> , top ... ..	1	—	C	HA13
	10-20 Y 469	<b>TOMMY-BAR</b> , $\frac{1}{2}$ " dia. × 4"0 long ... ..	1	S.92	LM	HA13
	10-20 Y 489ND	Attachments for 10-20 Y 469, Tommy-bar :— Collar, $\frac{3}{8}$ " o/d × 17 SWG × 0.25" long ... ..	1	T.35	LM	HA13
96022	10-20 Y 2477A	<b>MECHANISM</b> , adjusting, assembly ... ..	1	—	C	HA13
		Spares for :—				
96025	10-20 Y 2463	<b>ADJUSTER</b> ... ..	1	—	C	HA13
96028	10-20 Y 2641	<b>BEARING</b> , flanged ... ..	1	—	C	HA13
96029	10-20 Y 2465	<b>FORK-END</b> , bottom ... ..	1	—	C	HA13
		Attachments for 10-20 Y 2465, Fork-end :—				
28M/13588	A27/QP	Nut, $\frac{5}{8}$ " BSF ... ..	1	—	C	
28W/9419470	SP.13/Q	Washer ... ..	1	—	C	
96023	10-20 Y 2473A	<b>HANDLE</b> , cranked, locking, assembly ... ..	1	—	C	HA13
		Spares for :—				
	10-20 Y 2461	<b>WASHER</b> , friction, 2"0 o/d × $\frac{11}{16}$ " i/d × $\frac{1}{8}$ " thick	1	Red Fibre	LM	HA13
96026	10-20 Y 2471	<b>HANDLE</b> , straight, length adjustment ... ..	1	—	C	HA13
		Attachments for 10-20 Y 2471, Handle :—				
28D/1200119	A25/4C	Bolt, 2 BA ... ..	4	—	C	
28M/9403520	A27/CP	Nut, 2 BA ... ..	4	—	C	
28W/9419402	SP.13/C	Washer ... ..	4	—	C	
96027	10-20 Y 2469	<b>HOUSING</b> , fork-end ... ..	1	—	C	HA13
		Attachments for 10-20 Y 2469, Housing :—				
28D/9133208	A25/20E	Bolt, $\frac{1}{2}$ " BSF ... ..	2	—	C	
28M/1011475	A27/EP	Nut, $\frac{1}{2}$ " BSF ... ..	2	—	C	
28W/14185	AS.1903/E16	Washer, saddle ... ..	4	—	C	
28M/1011477	A27/NP	<b>NUT</b> , $\frac{1}{2}$ " BSF, retaining adjuster in plug-end	1	—	C	
	10-20 Y 2021A/ND	<b>PIN</b> , quick-release, for bottom strut attachment fitting, assembly	1	—	—	HA13
28X/5450	—	<b>CABLE</b> , 3 cwt., 8"0 long, retaining pin ...	QR	W9/1P	C	HA13
28FP/790	AGS.2106/516	<b>PIN</b> , "Pip," quick-release, with handle ...	1	—	C	HA13
26FN/3285	DHS.180 Mk. 3/X	<b>TAG</b> , cable attachment ... ..	1	—	C	HA13
		Attachments for 10-20 Y 2021A/ND, Pin :—				
28S/1214071	PARKER KALON Type Z	Screw, round head, No. 8 × $\frac{5}{16}$ " ... ..	1	—	C	
96024	10-20 Y 2467	<b>PLUG-END</b> ... ..	1	—	C	HA13

**EQUIPMENT, GROUND  
GROUND HANDLING EQUIPMENT  
(SPECIAL ORDER ONLY)**

Ref. No.	Part No.	Description	No. off	Material Specification	Class of Store or L.M.	Place No.
28W/9419468	SP.13/N	<b>WASHER</b> , under nut retaining adjuster ...	1	—	C	
96030	10-20 Y 2077	Attachments for 10-20 Y 2477A, Mechanism :—				
28M/9403520	A27/CP	Bolt, shear, special, $\frac{1}{8}$ " dia., threaded 2 BA ...	1	—	C	HA13
28W/9419402	SP.13/C	Nut, 2 BA ...	1	—	C	
		Washer ...	1	—	C	
	10-20 Y 2019A/ND	<b>PIN</b> , quick-release, for top strut attachment fitting, assembly	1	—	—	HA13
28X/5450	—	<b>CABLE</b> , 3 cwt., 10'-0 long, retaining pin ...	QR	W9/1P	C	HA13
28FP/766	AGS.2106/512	<b>PIN</b> , "Pip," quick-release, with handle ...	1	—	C	HA13
26FN/3285	DHS.180 Mk. 3/X	<b>TAG</b> , cable attachment ...	1	—	C	HA13
		Attachment for 10-20 Y 2019A/ND, Pin :—				
28S/1214071	PARKER KALON Type Z	Screw, round head, No. 8 x $\frac{5}{16}$ " ...	1	—	C	
	10-20 Y 2017ND	<b>TUBE</b> , strut, 2"-0 o/d x 49"-88 long x 14 SWG	1	T.45	LM	HA13
95106	10-20 Y 2925A	<b>TILT-RESTRICTOR</b> , and tail-boom deck lashing equipment, assembly (Mod. 8008)	2	—	P	HA22
		Spares for :—				
	10-20 Y 2941ND	<b>CABLE</b> , 5 cwt. retaining lug, lashing attachment, 6"-0 long between loops (Make from Ref. 28X/3495)	1	W9/4P	LM	HA22
	10-20 Y 2933ND	<b>CABLE</b> , 5 cwt. retaining quick-release pin to longitudinal strut, 12"-0 long between loops (Make from Ref. No. 28X/3495)	1	W9/4P	LM	HA22
	10-20 Y 3067ND	<b>CABLE</b> , 5 cwt. retaining quick-release pins, adjustment, to lower cross tube, 7"-0 long between loops (Make from Ref. No. 28X/3495)	2	W9/4P	LM	HA22
	10-20 Y 1613ND	<b>CABLE</b> , 5 cwt., retaining quick-release pin, lug lashing attachment to upper cross tube, 8"-0 long between loops (Make from Ref. No. 28X/3495)	1	W9/4P	LM	HA22
	10-20 Y 2935ND	<b>CABLE</b> , 10 cwt., check-stay between upper cross-tube and longitudinal strut, spliced round cross tube and through strut to give 19"-6 check, plug 1"-50 slack (Make from Ref. No. 28X/3445)	1	W9/5P	LM	HA22
	10-20 Y 2939ND	<b>CABLE</b> , 10 cwt., retaining shaft to upper cross tube, 10"-0 long between loops (Make from Ref. No. 28X/3445)	1	W9/5P	LM	HA22
	10-20 Y 2921	<b>DOME</b> , foot, on extending legs ...	2	S.92	LM	HA22
		Attachments for 10-20 Y 2921, Dome :—				
28D/1212313	A25/15E	Bolt, $\frac{1}{2}$ " BSF ...	2	—	C	
28M/1011475	A27/EP	Nut, $\frac{1}{2}$ " BSF ...	2	—	C	
28W/14183	AS.1903/E12	Washer, saddle ...	4	—	C	
96106	10-20 Y 2841	<b>LUG</b> , lashing attachment ...	1	—	C	HA22
	DHS.94/8/130	<b>PIN</b> , stop, telescopic leg adjustment, $\frac{1}{2}$ " dia., ground steel	2	S.96	LM	HA22

**EQUIPMENT, GROUND  
GROUND HANDLING EQUIPMENT  
(SPECIAL ORDER ONLY)**

Ref. No.	Part No.	Description	No. off	Material Specification	Class of Store or LM	Place No.
28FP/1037	AGS.2106/650	<b>PIN</b> , "Pip," quick-release, with handle, for adapter fitting at upper end of longitudinal strut	1	—	C	HA22
28FP/1048017	AGS.2106/413	<b>PIN</b> , "Pip," quick-release, with handle, for telescopic leg adjustment	2	—	C	HA22
28FP/1038	AGS.2106/719	<b>PIN</b> , "Pip," quick-release, with handle, for lug lashing attachment	1	—	C	HA22
	10-20 Y 2949	<b>SHAFT</b> , tail-boom lashing ... ..	1	S.96	—	HA22
	10-20 Y 2947A/ND	<b>STRUT</b> , longitudinal, assembly ... ..	1	—	—	HA22
		Attachments for 10-20 Y 2947A/ND, Strut :—				
28D/7002413	A25/14E	Bolt, 1/4" BSF ... ..	2	—	C	
28M/1011467	A27/ES	Nut, 1/4" BSF ... ..	2	—	C	
28P/9527619	SP.90/C7	Pin, split (SP.9/C8) ... ..	2	—	C	
28W/17766	AS.1904/E10	Washer, saddle ... ..	4	—	C	
	—	<b>TROLLEYS, MISCELLANEOUS EQUIPMENT GROUP</b>	—	—	—	
	—	<b>CAN</b> , hydraulic fluid or engine and gear box lubrication oil replenishing, group	1	—	—	
4G/5358	—	<b>CAN</b> , hydraulic fluid or lubrication oil replenishing, pressurised, Mk. 2	2	—	P	
27BA/10844	AVERY AVA.550C/1	<b>COUPLING</b> (for hydraulic fluid replenishment)	1	—	C	
4G/5719	AVERY AVX.1492	<b>COUPLING</b> (for engine and gear box replenishment)	1	—	C	
4G/6562	—	<b>FILTER</b> ... ..	1	—	C	
4G/5371	—	<b>TROLLEY</b> , can ... ..	1	—	P	
	—	<b>PUMP</b> , inflating, general service tank and expansion cylinder, flying controls, group	1	—	—	
4G/3743	—	<b>PUMP</b> , foot operated, Type B ... ..	1	—	P	
4G/3745	—	<b>TUBE</b> , rubber, Type C ... ..	1	—	C	
	—	<b>RIG</b> , hydraulic hand pump, group ... ..	1	—	—	
27BA/10843	AVERY AVA.550B	<b>COUPLING</b> ... ..	1	—	C	
4G/5911	ADMIRALTY AK.156	<b>RIG</b> , hydraulic hand pump, assembly ... ..	1	—	P	
4F/2196	—	<b>TROLLEY</b> , air supply, Mk. 2 (for air crew air ventilated suits)	1	—	P	
4G/4858	—	<b>TROLLEY</b> , engine changing unit, servicing, universal, Mk. 2	1	—	P	
4G/4221	—	<b>TROLLEY</b> , H.P. air charging, Mk. 2 (reducing valve to be set at 3000 lbs. p.s.i.)	1	—	P	
OR	—					
4G/2795	—	<b>TROLLEY</b> , air bottle carrying ... ..	1	—	P	
4G/—	—	<b>TROLLEY</b> , H.P. air charging, clean air for "Fire-streak" (N.A.T.O.)	1	—	P	

**EQUIPMENT, GROUND  
GROUND HANDLING EQUIPMENT  
(SPECIAL ORDER ONLY)**

Ref. No.	Part No.	Description	No. off	Material Specification	Class of Store or LM	Plate No.
4F/3150 OR 4F/2345	—	<b>TROLLEY</b> , hydraulic servicing, Mk. 4B, universal	1	—	P	
	—	<b>TROLLEY</b> , hydraulic servicing, Mk. 2B (modified) Spares for :—	1	—	P	
37J/7302	BRITISH FILTERS LTD. 7508	<b>FILTER</b> , hydraulic, size 70 ... .. Spares for :—	1	—	P	
37J/7303	BRITISH FILTERS LTD. 750801	<b>ELEMENT</b> ... ..	1	—	P	
37J/—	BRITISH FILTERS LTD. FSP/320	<b>SEAL</b> ... ..	1	—	C	
37J/—	BRITISH FILTERS LTD. FSP/381	<b>SEAL</b> ... ..	1	—	C	
37J/1234	INTEGRAL 18025 OR	<b>PUMP</b> , hydraulic, Type 180, Mk. 25 ...	1	—	P	
37J/—	INTEGRAL 18090	<b>PUMP</b> , hydraulic, Type 180, Mk. 9 (modified)	1	—	P	
4F/3909 OR 4F/3810 4F/—	—	<b>TROLLEY</b> , hydraulic servicing, miniature, spec. No. AD2/SRD/899E	1	—	P	
	—	<b>TROLLEY</b> , hydraulic servicing ... ..	1	—	P	
	—	<b>TROLLEY</b> , L.P. air starter Mk. 2A for engine start- ing and ram air turbine tests	1	—	P	
75R/46	—	<b>TROLLEY</b> , naval armament handling for "Fire- streak"	1	—	P	
	—	<b>TROLLEY</b> , pressure cabin testing, group ...	1	—	—	
4F/1808	—	<b>ADAPTER</b> , cabin pressure ground supply ...	1	—	C	
4F/1714	—	<b>TROLLEY</b> , Mk. 1C ... ..	1	—	P	
4F/2002	—	<b>TROLLEY</b> , radar air cooling, Mk. 2A ... ..	1	—	P	
4G/4042	—	<b>TROLLEY</b> , storage, mobile, engine cowlings ...	1	—	P	
95045	10-20 Y 77A	<b>UNDERCARRIAGE</b> , jury (main), assembly... Spares for :—	2	—	P	HA14
	10-20 Y 139A	<b>AXLE</b> , assembly ... ..	1	—	—	HA14
	10-20 Y 145	<b>ABUTMENT</b> , wheel ... .. Attachments for 10-20 Y 145, Abutment :—	2	S.96	—	HA14
28D/1212641	A25/37G	Bolt, $\frac{3}{16}$ " BSF ... ..	6	—	C	
28M/1006939	A27/GP	Nut, $\frac{3}{16}$ " BSF ... ..	6	—	C	
96031	10-20 Y 2351	<b>AXLE</b> ... ..	1	—	C	HA14
28X/5450	—	<b>CABLE</b> , 3 cwt., 4'-0 long retaining quick-release pin	QR	W9/1P	C	HA14
96034	10-20 Y 159	<b>EYE-BOLT</b> ... .. Attachments for 10-20 Y 159, Eye-bolt :—	2	—	C	HA14
28M/1011477	A27/NP DHS.775/N/3	Nut, $\frac{1}{4}$ " BSF ... ..	1	—	C	
		Washer, 1"-137 o/d x $\frac{1}{4}$ "-520 i/d x 18 SWG ...	1	S.510	—	HA14
96032	10-20 Y 141	<b>FITTING</b> , axle ... ..	1	—	C	HA14
96033	10-20 Y 157	<b>NUT</b> , special, securing eyebolt ... ..	2	—	C	HA14
28FP/824	AGS.2106/524	<b>PIN</b> , "Pip." quick-release, with handle, through axle-unit	2	—	C	HA14
28FP/1036	AGS.2106/642	<b>PIN</b> , "Pip." quick-release, with handle through axle fitting	2	—	C	HA14

**EQUIPMENT, GROUND  
GROUND HANDLING EQUIPMENT  
(SPECIAL ORDER ONLY)**

Ref. No.	Part No.	Description	No. off	Material Specification	Class of Store or L.M	Plate No.
96044	10-20 Y 2353	CAP, rubber, protection for threads at outer end of forward and aft pick-up spindles	2	—	C	HA14
96356	10-20 Y 8917A/ND	HANDWHEEL, aft, assembly ... ..	1	—	C	HA14
28X/5450	—	Spares for :— CABLE, 3 cwt., 4"-0 long, securing label and special pin	QR	W9/1P	C	HA14
	10-20 Y 217	LABEL, engraved " Remove pin.....lashing " 18 SWG	1	L.72	LM	HA14
96043	10-20 Y 171	PIN, special, handwheel locking ... ..	1	—	C	HA14
26FN/3285	DHS.180 Mk. 3/X	TAG, cable attachment ... ..	1	—	C	HA14
	PARKER KALON Type Z	Attachments for DHS.180 Mk. 3/X, Tag :—				
28S/1214072		Screw, round head, No. 8 x 3/8" ... ..	1	—	C	
96355	10-20 Y 8915A/ND	HANDWHEEL, forward, assembly ... ..	1	—	C	HA14
	10-20 Y 2375A/ND	Spares for :— LINK, swivel, assembly ... ..	1	—	—	HA14
2A/9500569	—	Spares for :— BALL, steel, 1/2" dia. (3110-99-950-0569) ...	4	—	C	
96046	10-20 Y 2377	SPRING, 20 SWG ... ..	4	—	C	HA14
	—	LINK & CLAMP, towing, group ... ..	1	—	—	
96048	10-20 Y 167	CLAMP, towing ... ..	1	—	C	HA14
		Attachments for 10-20 Y 167, Clamp :—				
28D/1212817	A25/50J	Bolt, 3/8" BSF ... ..	1	—	C	
28M/1011476	A27/JS	Nut, 3/8" BSF ... ..	1	—	C	
28P/9527619	SP.90/C7	Pin, split (SP.9/C8) ... ..	1	—	C	
28W/9419466	SP.13/J	Washer ... ..	1	—	C	
96047	10-20 Y 165A	LINK, shackle, towing, assembly ... ..	1	—	C	HA14
96049	10-20 Y 2047A	ROD, tie, assembly ... ..	1	—	C	HA14
		Spares for :— FORK-END ... ..	2	S.92	—	HA14
		Attachments for 10-20 Y 2047A, Rod :—				
28D/1011258	A25/8G	Bolt, 1/8" BSF ... ..	2	—	C	
28M/10291	AGS.2001/G/J	Nut, 1/8" BSF ... ..	2	—	C	
	10-20 Y 129A	STRUT, aft, assembly ... ..	1	—	—	HA14
		Spares for :—				
96004	10-20 Y 3219A/ND	PIN, " Pip," quick-release, handle type, assembly	1	—	C	HA14
		Spares for :—				
28X/3495	—	CABLE, 5 cwt. 7"-0 long, retaining pin ...	QR	W9/4P	C	HA14
26FN/3285	DHS.180 Mk. 3/X	TAG, cable attachment ... ..	1	—	C	HA14
		Attachments for 10-20 Y 3219A/ND, Pin :—				
28S/9436890	PARKER KALON Type Z	Screw, round head, No. 8 x 1/2" ... ..	1	—	C	
96453	10-20 Y 169	SLEEVE, towing ... ..	1	—	C	HA14
		Attachments for 10-20 Y 169, Sleeve :—				
28D/1212761	A25/323	Bolt, 3/8" BSF ... ..	2	—	C	
	A24/JP/DHS.514/A	Nut, lock ... ..	2	—	—	
28W/9419466	SP.13/J	Washer ... ..	2	—	C	
		Attachments for 10-20 Y 129A, Strut :—				
28D/1212680	A25/28L	Bolt, 7/16" BSF ... ..	2	—	C	
28M/13553	A27/LP	Nut, 7/16" BSF ... ..	2	—	C	
	DHS.94/10/295	Pin, ground steel, 1/8" dia. ... ..	2	S.96	—	HA14
28W/9419467	SP.13/L	Washer ... ..	2	—	C	

EQUIPMENT, GROUND  
GROUND HANDLING EQUIPMENT  
(SPECIAL ORDER ONLY)

Ref. No.	Part No.	Description	No. off	Material Specification	Class of Store or L.M.	Place No.
	10-20 Y 127A	<b>STRUT</b> , forward, assembly ... ..	1	—	—	HA14
96005	10-20 Y 3217A/ND	Spares for :— <b>PIN</b> , " Pip," quick-release, handle type assembly	1	—	C	HA14
28X/3495	—	Spares for :— <b>CABLE</b> , 5 cwt., 9'-0 long, retaining pin	QR	W9/4P	C	HA14
26FN/3285	DHS.180 Mk. 3/X	<b>TAG</b> , cable attachment ... ..	1	—	C	HA14
		Attachments for 10-20 Y 3217A/ND, Pin :—				
28S/9436890	PARKER KAYLON Type Z	Screw, round head, No. 8 x 1/2" ... ..	1	—	C	
		Attachments for 10-20 Y 127A, Strut :—				
28D/1212760	A25/28J	Bolt, 3/8" BSF ... ..	1	—	C	
28D/1213536	A25/28P	Bolt, 1/8" BSF ... ..	1	—	C	
28M/1011473	A27/JJ	Nut, 3/8" BSF ... ..	1	—	C	
28M/13587	A27/PP	Nut, 1/8" BSF ... ..	1	—	C	
	DHS.94/10/295	Pin, ground steel, 1/8" dia. ... ..	2	S.96	—	HA14
28W/9419466	SP.13/J	Washer ... ..	1	—	C	
28W/9019469	SP.13/P	Washer ... ..	1	—	C	
96035	10-20 Y 125A	<b>STRUT</b> , jury undercarriage, inboard, assembly	1	—	P	HA14
		Spares for :—				
96038	10-20 Y 161	<b>EYE-BOLT</b> ... ..	1	—	C	HA14
		Attachments for 10-20 Y 161, Eye-bolt :—				
28M/16990	A24/WT	Nut, lock, 1" BSF ... ..	1	—	C	
28M/14300	A24/SP	Nut, 3/8" BSF ... ..	1	—	C	
28W/9419471	SP.13/S	Washer ... ..	1	—	C	
96036	10-20 Y 173A	<b>FORK-END</b> , assembly ... ..	1	—	C	HA14
		Attachments for 10-20 Y 173A, Fork-end :—				
26DV/12900	DHS.94/10/270	Pin, 5/16" dia. (For replacement use Part No. DHS.94/11/270)	2	—	C	HA14
96114	DHS.94/11/270	Pin, 1/2" dia. (Oversize replacement for Part No. DHS.94/10/270)	2	—	C	HA14
		<b>PIN</b> , " Pip," quick-release, c/w cable, group	1	—	—	
28X/5450	—	<b>CABLE</b> , 3 cwt., 4'-0 long, retaining pin	QR	W9/1P	C	HA14
28FP/1058	AGS.2106/812	<b>PIN</b> , " Pip," quick-release, with handle ...	1	—	C	HA14
26FN/3285	DHS.180 Mk. 3/X	<b>TAG</b> , cable attachment ... ..	1	—	C	HA14
		Attachments for—Pin, group :—				
28S/1214072	PARKER KALON Type Z	Screw, round head, No. 8 x 3/8" ... ..	1	—	C	
96037	10-20 Y 163	<b>PLUG-END</b> ... ..	1	—	C	HA14
		Attachments for 10-20 Y 163, Plug-end :—				
26DV/12900	DHS.94/10/270	Pin, 5/8" dia. (For replacement use Part No. DHS.94/11/270)	2	—	C	HA14
96114	DHS.94/11/270	Pin, 1 1/2" dia. (Oversize replacement for Part No. DHS.94/10/270)	2	—	C	HA14

**EQUIPMENT, GROUND  
GROUND HANDLING EQUIPMENT  
(SPECIAL ORDER ONLY)**

Ref. No.	Part No.	Description	No. off	Material Specification	Class of Store or L.M.	Plate No.
96003	10-20 Y 3073A/ND	<b>SWIVEL-END</b> , assembly ... ..	2	—	P	HA14
	—	Spares for :—				
28D/1008149	A25/2B	<b>CAP</b> , protective, group ... ..	1	—	—	
28X/5450	—	<b>BOLT</b> , 4 BA ... ..	1	—	C	
96039	10-20 Y 2357	<b>CABLE</b> , -3 cwt., 6"-0 long, retaining cap	QR	W9/1P	C	HA14
	DHS.31/33	<b>CAP</b> , synthetic rubber ... ..	1	—	C	HA14
28M/9403519	A27/BP	<b>CLIP</b> , tubular, 24 SWG ... ..	1	BS,265	LM	HA14
26FN/3285	DHS.180.Mk. 3/X	<b>NUT</b> , 4 BA ... ..	1	—	C	
		<b>TAG</b> , cable attachment ... ..	1	—	C	HA14
		Attachments for—Cap, group :—				
28S/14897	PARKER, KALON Type Z	Screw, round head, No. 8 × $\frac{5}{16}$ " ...	1	—	C	
96041	10-20 Y 155	<b>KNOB</b> , swivel-end ... ..	1	—	C	HA14
96040	10-20 Y 137	<b>SPINDLE</b> , pick-up ... ..	1	—	C	HA14
		Attachments for 10-20Y3073A/ND, Swivel-end:—				
28D/13069	A25/14N	Bolt, $\frac{1}{2}$ " BSF ... ..	1	—	C	
28M/1011001	A24/NS	Nut, $\frac{1}{2}$ " BSF ... ..	1	—	C	
28P/19234	SP.90/E8	Pin, split (SP.9/E10) ... ..	1	—	C	
28W/9419468	SP.13/N	Washer ... ..	1	—	C	
	10-20 Y 175ND	<b>TUBE</b> , -strut, 2"-5 o/d × 14 SWG × 63"-08 long	1	T.45	LM	HA14
	—	<b>WHEEL</b> , group ... ..	2	—	—	
27A/4028	DUNLOP DR.7195/T	<b>COVER</b> , tubeless ... ..	1	—	P	HA14
27A/4018	DUNLOP AH.50488	<b>WHEEL</b> (For spares see AP.4515C Vol. 3, Pt. 1, Sect. 2 Chap 61)	1	—	P	HA14
	NORMALAIR 515960	<b>VALVE</b> , safety, cabin pressure proof test ... ..	1	—	—	
	—	<b>WINCH</b> , ram air turbine, installation (Use on A/C embodying Mod. 216) (Drg. No. 10-20 Y 3703) (Mod. 8018)	1	—	—	
95246	10-20 Y 3704A 3705A	<b>WINCH</b> , ram air turbine, assembly ... ..	1	—	P	HA28
95245	10-20 Y 3731	Spares for :—				
		<b>CABLE</b> , winch, assembly ... ..	1	—	C	HA28
		Attachments for 10-20 Y 3731, Cable :—				
28D/1200119	AS.1242/4C	Bolt, 2 BA ... ..	1	—	C	
28M/1006473	A27/CT	Nut, 2 BA ... ..	1	—	C	
	10-20 Y 3723A	<b>FLAG</b> , assembly ... ..	1	—	—	HA28
	10-20 Y 3733ND	<b>CABLE</b> , 5 cwt. × 26"-0 long ... .. (Make from Ref. No. 28X/3495)	1	W9/4P	LM	HA28
	4 Y 479A	<b>FLAG</b> , red, assembly ... ..	1	Calico	LM	HA28
26FN/3285	DHS.180.Mk. 3/X	<b>TAG</b> , cable attachment ... ..	1	—	C	HA28
95241	10-20 Y 3719	<b>HOOK</b> ... ..	1	—	C	HA28
		Attachments for 10-20 Y 3719, Hook :—				
28D/9133012	A25/3C	Bolt, 2 BA ... ..	1	—	C	
28M/1006473	A27/CT	Nut, 2 BA ... ..	1	—	C	
	—	<b>LEVER</b> , ratchet release, group ... ..	1	—	—	
95239	10-20 Y 3715	<b>LEVER</b> , ratchet release ... ..	1	—	C	HA28
		Attachments for 10-20 Y 3715, Lever :—				
28D/9453970	A25/15C	Bolt, 2 BA ... ..	1	—	C	
28M/1006473	A27/CT	Nut, 2 BA ... ..	1	—	C	

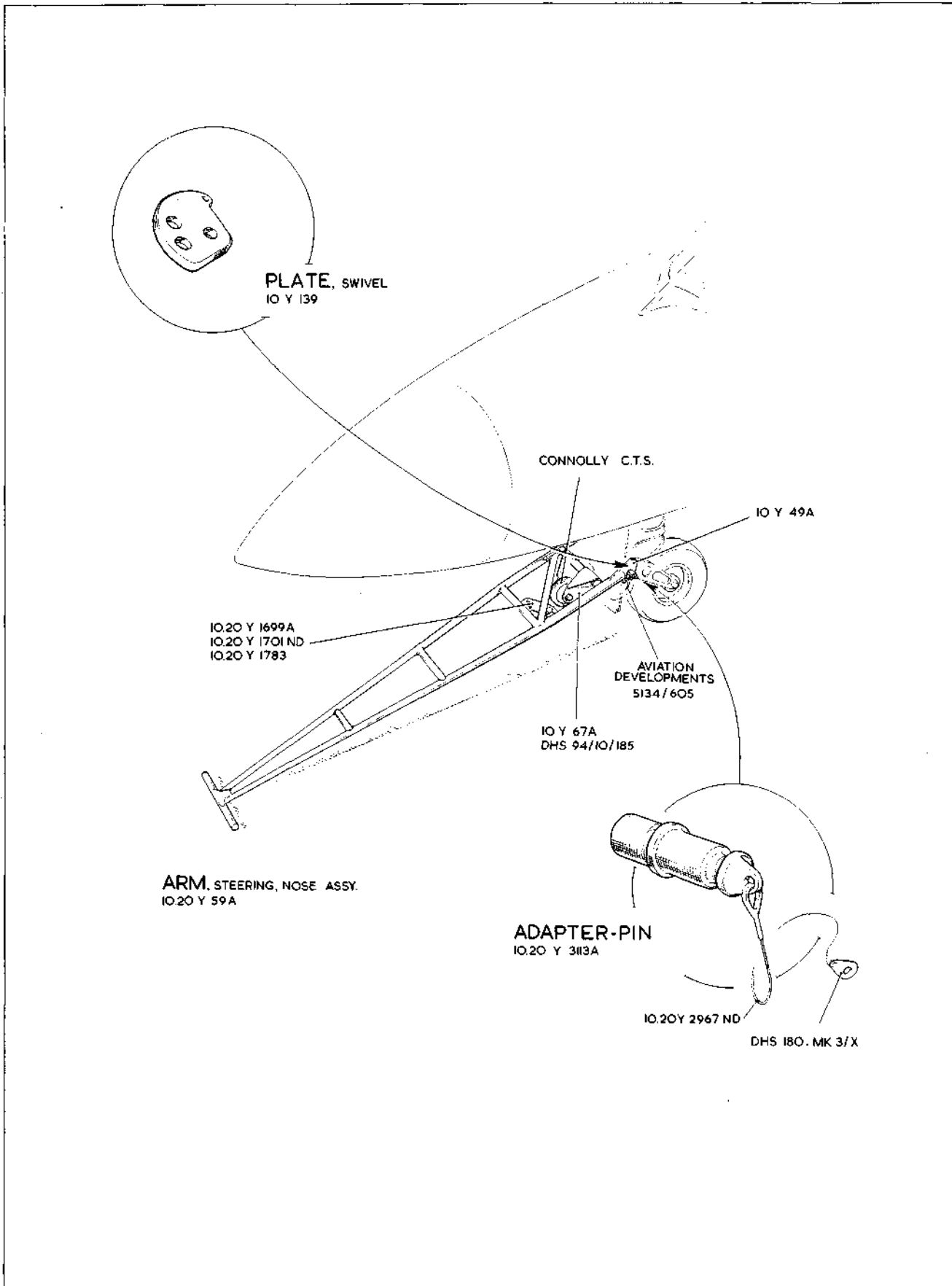
**EQUIPMENT, GROUND  
GROUND HANDLING EQUIPMENT  
(SPECIAL ORDER ONLY)**

Ref. No.	Part No.	Description	No. off	Material Specification	Class of Store or L.M	Plate No.
95240	10-20 Y 3717	<b>SPRING</b> ... ..	1	—	C	HA28
	AS.2806/4/120	<b>TUBE</b> , distance, over bolt, $\frac{1}{4}$ " o/d x 22 SWG x 1"2 long	1	T.35 or T.45	LM	HA28
	AS.2806/5/103	<b>TUBE</b> , distance, $\frac{3}{16}$ " o/d x 22 SWG x 1"03 long	1	T.35 or T.45	LM	HA28
	10-20 Y 3721A	<b>PIN</b> , "Pip," quick release, assembly ...	1	—	—	HA28
	10-20 Y 3737ND	Spares for :— <b>CABLE</b> , "Pip," pin retaining, 5 cwt. x 9"0 long (Make from Ref. No. 28X/3495)	1	W9/4P	LM	HA28
	AVDEL LTD.					
28FP/869	5134/417	<b>PIN</b> , "Pip," quick release, with handle ...	1	—	C	HA28
26FN/3285	DHS.180.Mk. 3/X	<b>TAG</b> , cable attachment ...	1	—	C	HA28
95237	10-20 Y 3709A	<b>PLATE</b> , side, assembly ...	1	—	C	HA28
	—	<b>RATCHET and PULLEY</b> , group ...	1	—	—	
28D/10168	AS.1242/11C	<b>BOLT</b> , 2 BA ...	4	—	C	
28M/1006473	A27/CT	<b>NUT</b> , 2 BA ...	4	—	C	
95242	10-20 Y 3725	<b>PAWL</b> , inner ratchet ...	1	—	C	HA28
95243	10-20 Y 3727	<b>SPRING</b> , pawl, for inner ratchet ...	1	—	C	HA28
		Attachments for 10-20 Y 3727, Spring :—				
15352	DHS.94/4/60	Pin, ground steel, $\frac{1}{8}$ " dia. ...	1	—	C	HA28
95238	10-20 Y 3711	<b>WHEEL</b> , pulley ...	1	—	C	HA28
	10-20 Y 3713	<b>WHEEL</b> , ratchet, inner ...	1	S.82	—	HA28
95244	10-20 Y 3729	<b>WHEEL</b> , ratchet, outer ...	1	—	C	HA28
95119	10-20 Y 3111A	<b>WINCH</b> , rocket battery hoisting, assembly (Mod. 8005)	1	—	P	HA26
		Spares for :—				
	10-20 Y 3281A	<b>BARREL</b> , assembly ...	1	—	—	HA26
		(For spares use 10-20 Y 4993A/ND)				
96167	10-20 Y 4993A/ND	<b>BARREL</b> , assembly (Spares condition) ...	1	—	P	
		Spares for :—				
	10-20 Y 3263	<b>BUSH</b> , handle shaft, inner ...	1	DTD.197	—	HA26
	10-20 Y 3261	<b>BUSH</b> , main shaft, inner ...	1	DTD.197	—	HA26
	10-20 Y 3371	<b>LABEL</b> , "Rocket Battery Hoisting Winch....." 20 SWG	1	Brass	LM	HA26
	10-20 Y 3369	<b>LABEL</b> , "Important—A light load.....cable" 20 SWG	1	Brass	LM	HA26
	10-20 Y 3247A	<b>CABLE</b> , hoist, assembly ...	1	—	—	HA26
		Spares for :—				
	10-20 Y 3249	<b>SPRING</b> , leaf ...	1	S.513	—	HA26
	10-20 Y 3245A	<b>COVER</b> , reduction box, assembly ...	1	—	—	HA26
		Spares for :—				
	10-20 Y 3295	<b>BARREL</b> , push button ...	1	L.65	—	HA26
	10-20 Y 3257	<b>BUSH</b> , handle shaft, outer ...	1	DTD.197	—	HA26
	10-20 Y 3259	<b>BUSH</b> , main shaft, outer ...	1	DTD.197	—	HA26
	10-20 Y 3297	<b>PUSH-BUTTON</b> ...	1	S.96	—	HA26
		Attachments for 10-20 Y 3245A, Cover :—				
	UNBRAKO	Screw, socket, $\frac{3}{16}$ " BSW, 1"0 long ...	4	—	—	
	10-20 Y 3265A	<b>END-CAP</b> , assembly ...	1	—	—	HA26
		Spares for :—				
2A/9500410	SKEFKO CBS.2 WALKER & SCHOFIELD A25/X	<b>BEARING</b> , ball ...	1	—	C	
		<b>RING</b> , retaining bearing ...	1	—	—	

**EQUIPMENT, GROUND  
GROUND HANDLING EQUIPMENT  
(SPECIAL ORDER ONLY)**

Ref. No.	Part No.	Description	No. off	Material Specification	Class of Store or L.M.	Plate No.
	10-20 Y 3239	<b>GEAR</b> , transmission ... ..	1	S.96	—	HA26
	10-20 Y 3267A	<b>HANDLE</b> , assembly ... ..	1	—	—	HA26
28M/10292	AGS.2001/J/1	Attachments for 10-20 Y 3267A, Handle :—				
1466	DHS.781/62/18	Nut, 3/8" BSF ... ..	1	—	C	
		Washer ... ..	1	S.510	C	HA26
	10-20 Y 3271	<b>HOUSING</b> , over-wind check nut ... ..	1	S.96	—	HA26
	10-20 Y 3241	<b>LEVER</b> , pawl release ... ..	1	DHE.245	—	HA26
		Attachments for 10-20 Y 3241, Lever :—				
28D/9140638	A25/4B	Bolt, 4 BA ... ..	1	—	C	
28M/10327	AGS.2002/B/1	Nut, 4 BA ... ..	1	—	C	
28W/9419465	SP.13/B	Washer ... ..	1	—	C	
	10-20 Y 3273	<b>NUT</b> , special. over-wind check ... ..	1	S.96	—	HA26
28M/10290	AGS.2001/E/1	<b>NUT</b> , 1/2" BSF, retaining main shaft ... ..	1	—	C	
	10-20 Y 3351A/ND	<b>PAWL</b> , assembly ... ..	1	—	—	HA26
	10-20 Y 3311ND	<b>PIN</b> , "Pip," quick release hoist locating ... ..	1	—	LM	HA26
		(Make from Ref. No. 28FP/629, Part No. Aviation Developments A520— with ring removed)				
28S/9140929	A33/C12	<b>SCREW</b> , 2 BA, locking check nut in end cap ...	4	—	C	
	10-20 Y 3277	<b>SHAFT</b> , handle ... ..	1	S.96	—	HA26
	10-20 Y 3275A	<b>SHAFT</b> , main, assembly ... ..	1	—	—	HA26
		Spares for :—				
	10-20 Y 3255	<b>DRUM</b> , cable ... ..	1	L.65	—	HA26
28M/14298	A27/NTL	<b>NUT</b> , 1/2" BSF, L.H. thread, retaining drum ...	1	—	C	
28W/9419468	SP.13/N	<b>WASHER</b> , under nut ... ..	1	S.96	C	
	10-20 Y 4217	<b>SLEEVE</b> , main shaft retaining ... ..	1	S.96	—	HA26
	10-20 Y 3237	<b>SPRING</b> , pawl, 18 SWG ... ..	1	Spr. Std.	—	HA26
28W/9418921	SP.13/E	<b>WASHER</b> , under nut, main shaft retaining ...	1	—	C	





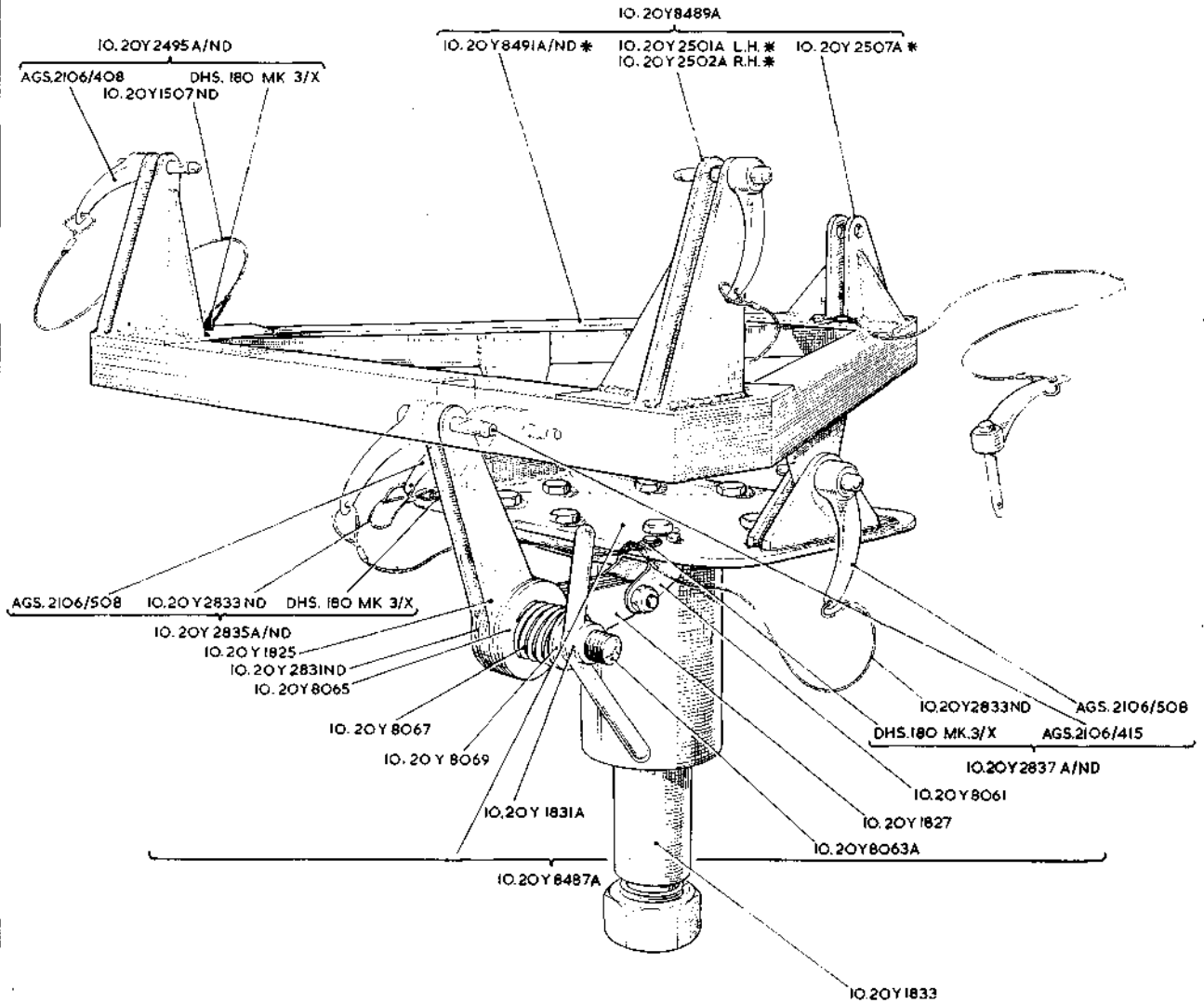
HA.1

# EQUIPMENT, GROUND

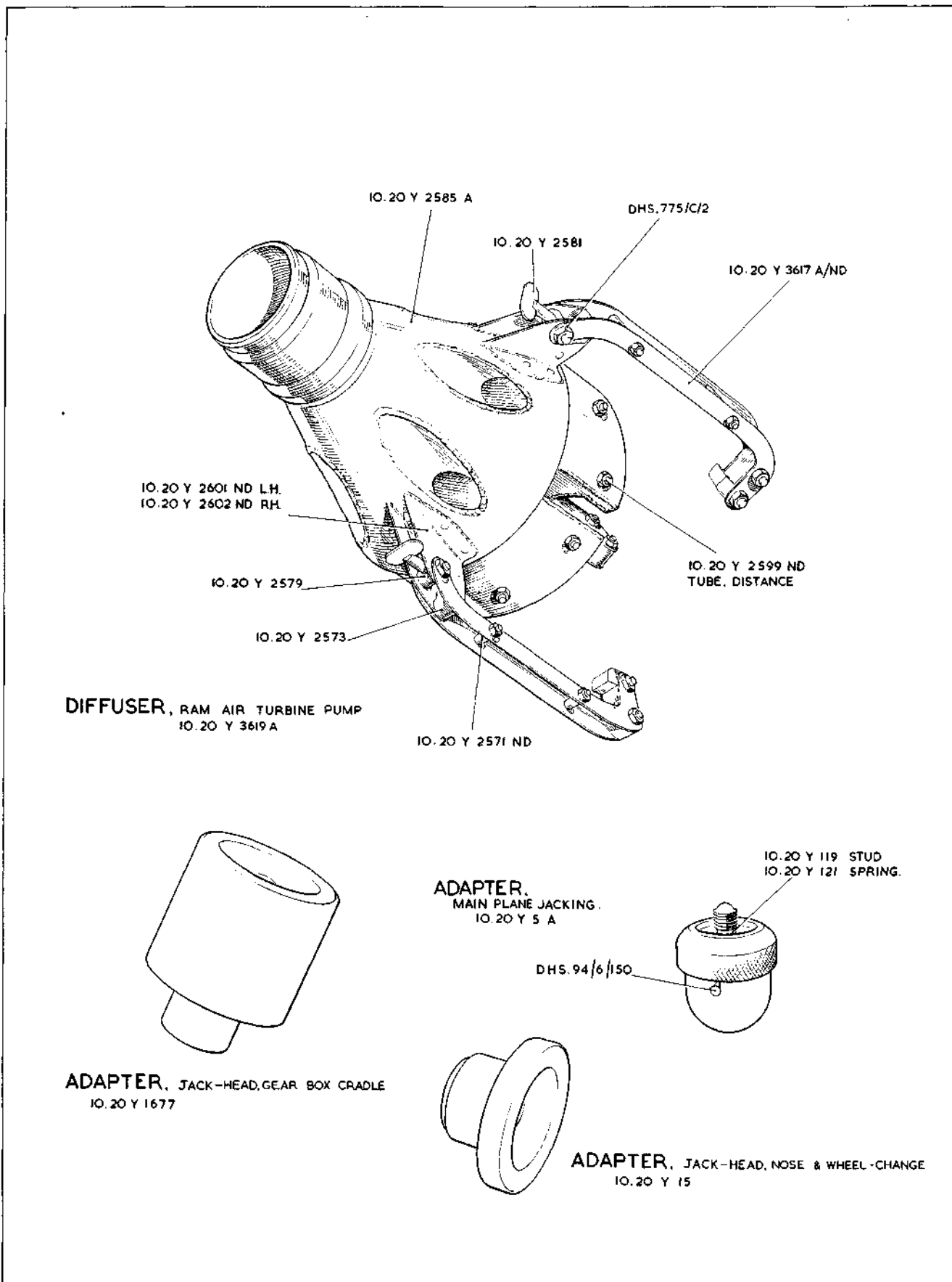
HA.1

[AL. 40]

SEE TEXT FOR SPARES  
CONDITION OF ITEMS MARKED WITH \*



CRADLE, POWER UNIT, GEAR-BOX, ASSEMBLY  
IO. 20Y1819A

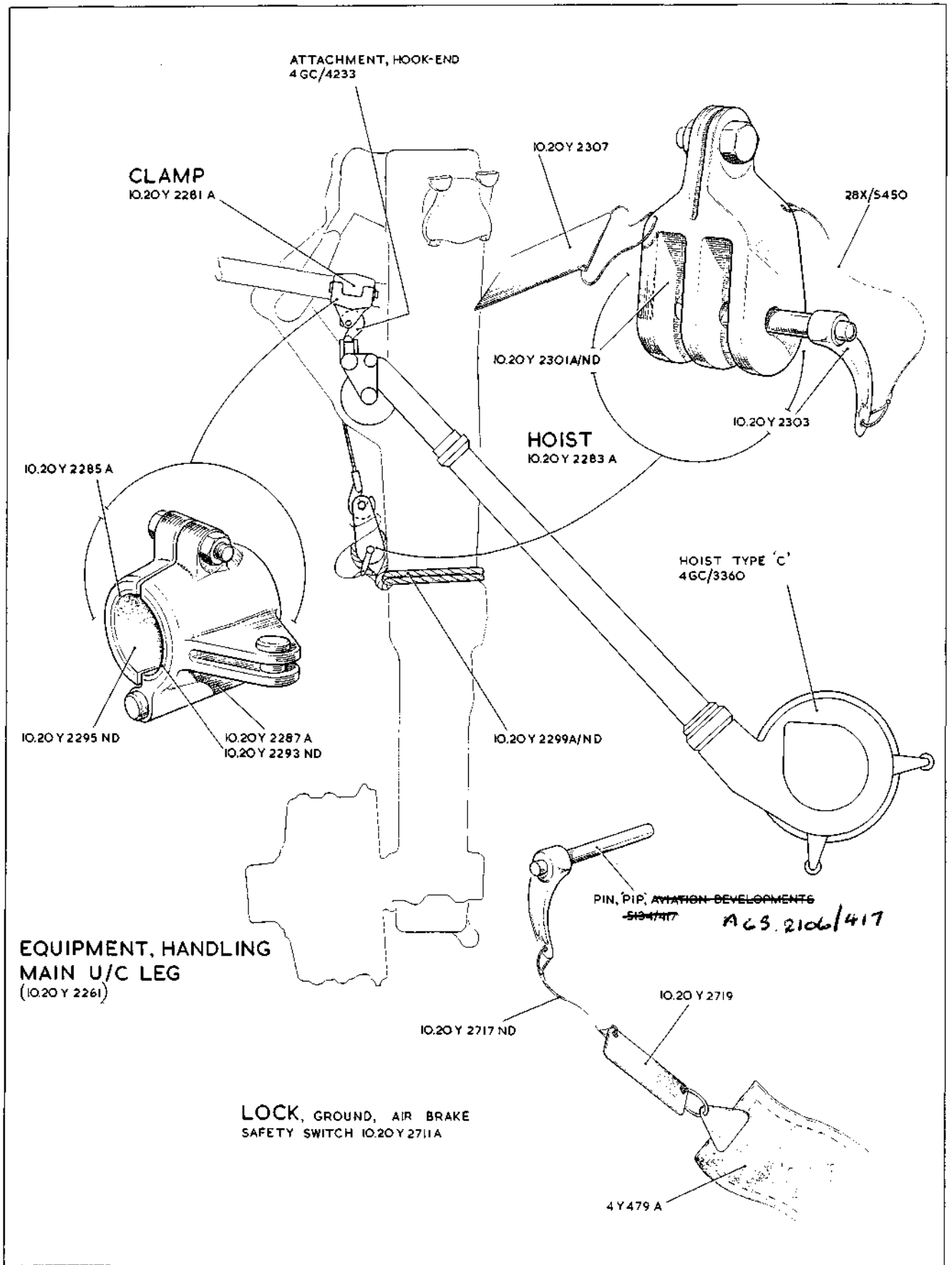


HA.3

# EQUIPMENT, GROUND

HA.3

[AL.40]



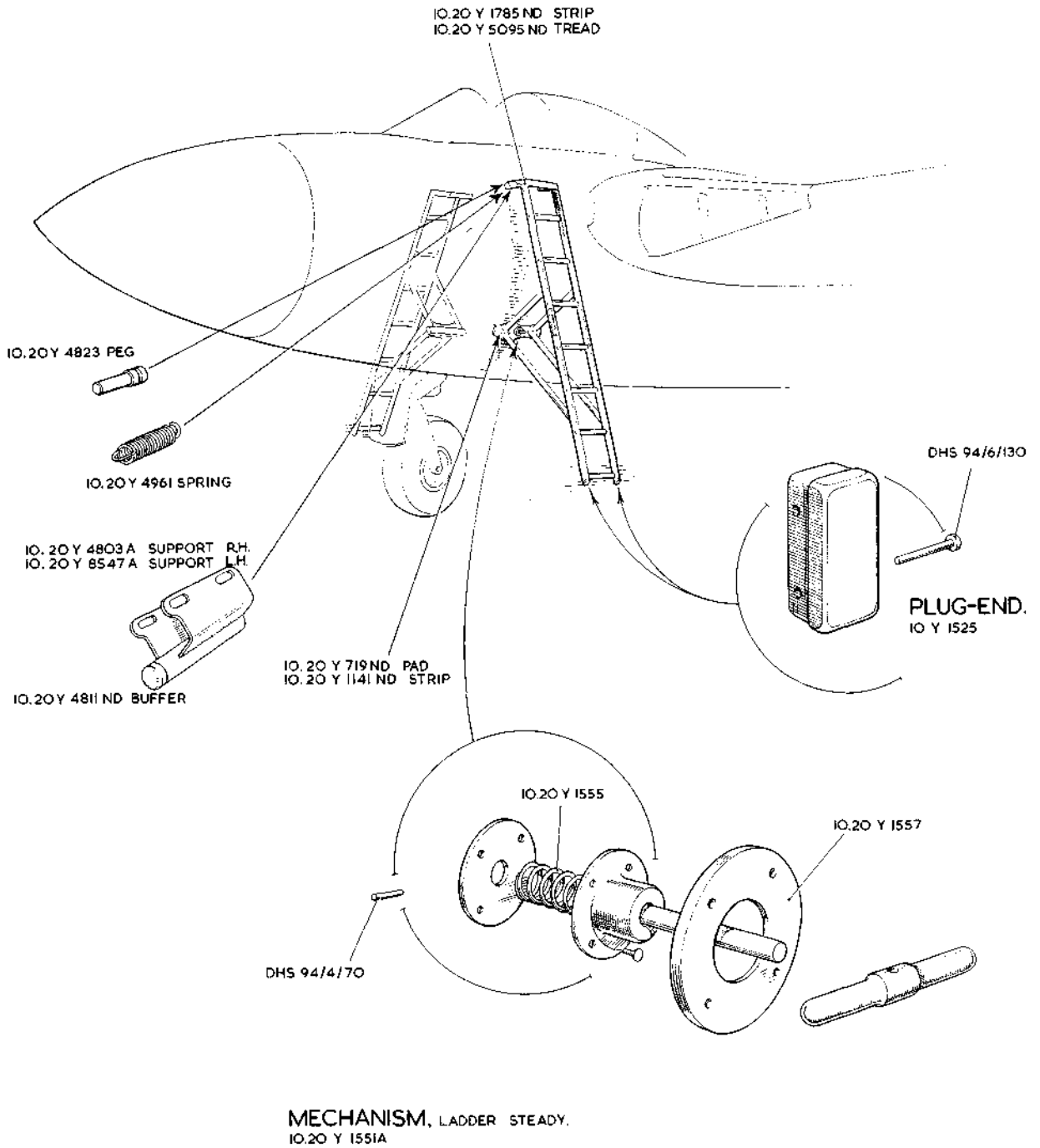
HA.4

# EQUIPMENT, GROUND

HA.4

[AL40]

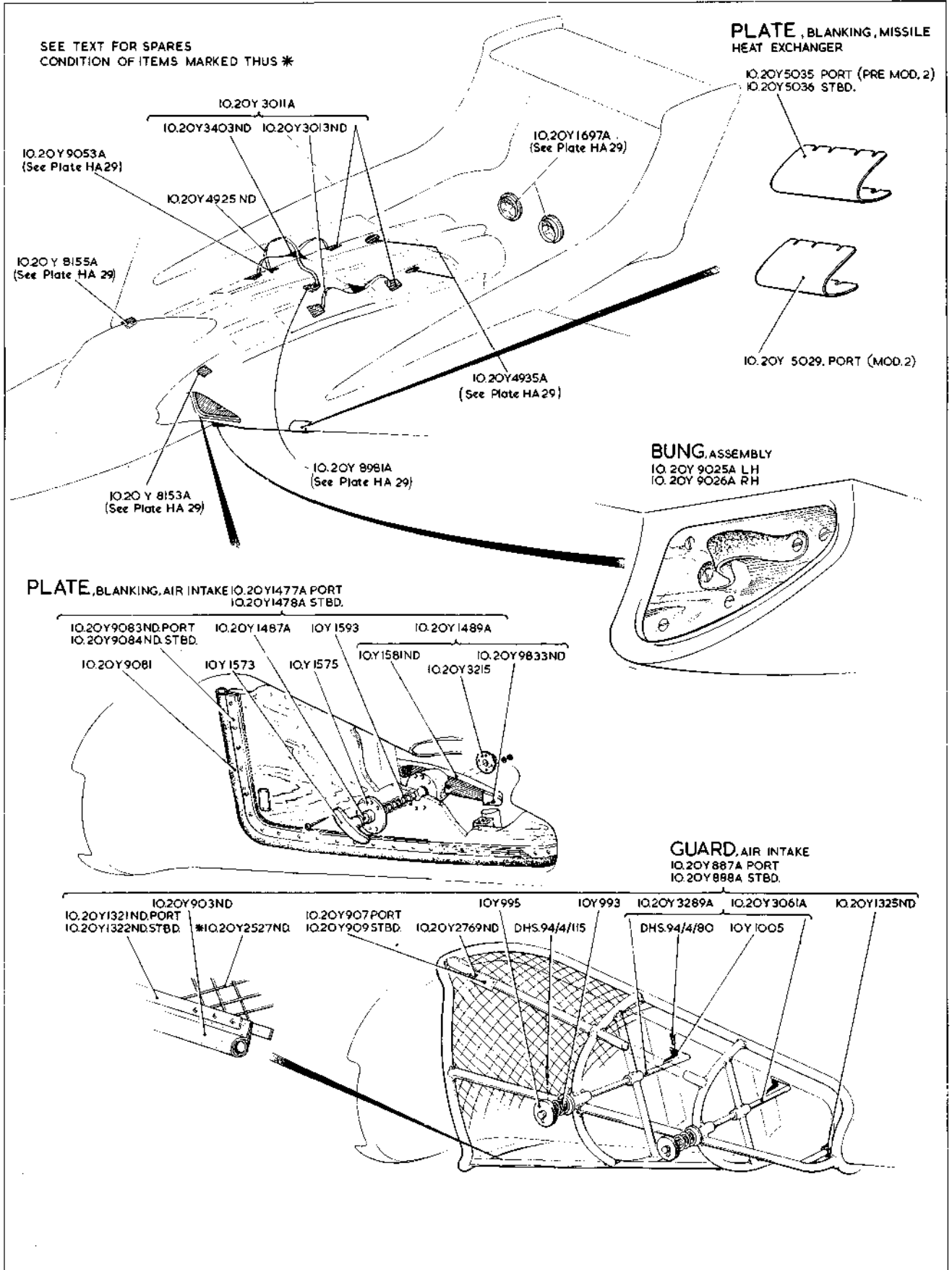
**LADDER, PILOT'S & NAVIGATOR'S.**  
IO.20 Y 5499A

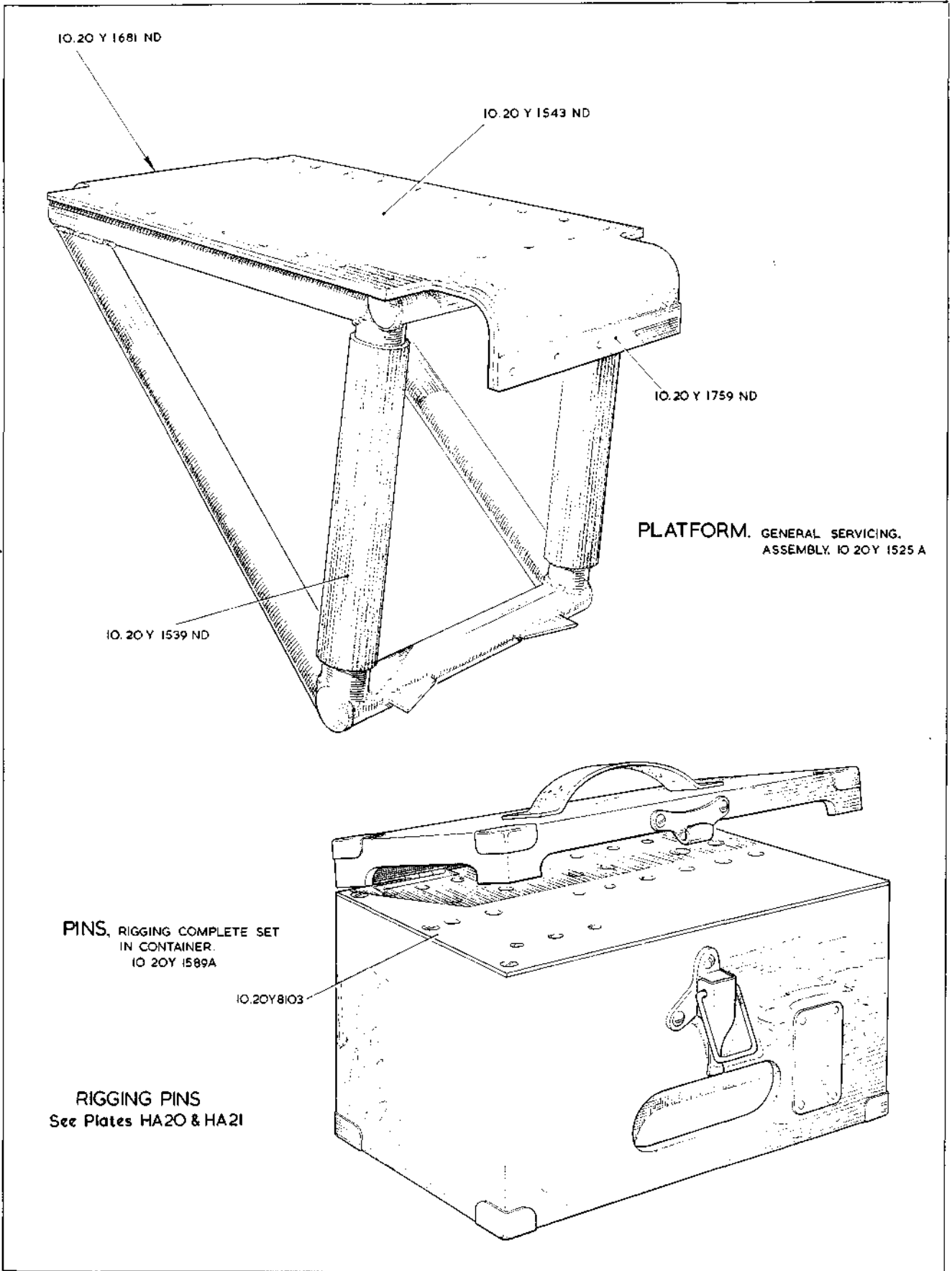


HA.5

**EQUIPMENT, GROUND**

HA.5  
[AL40]



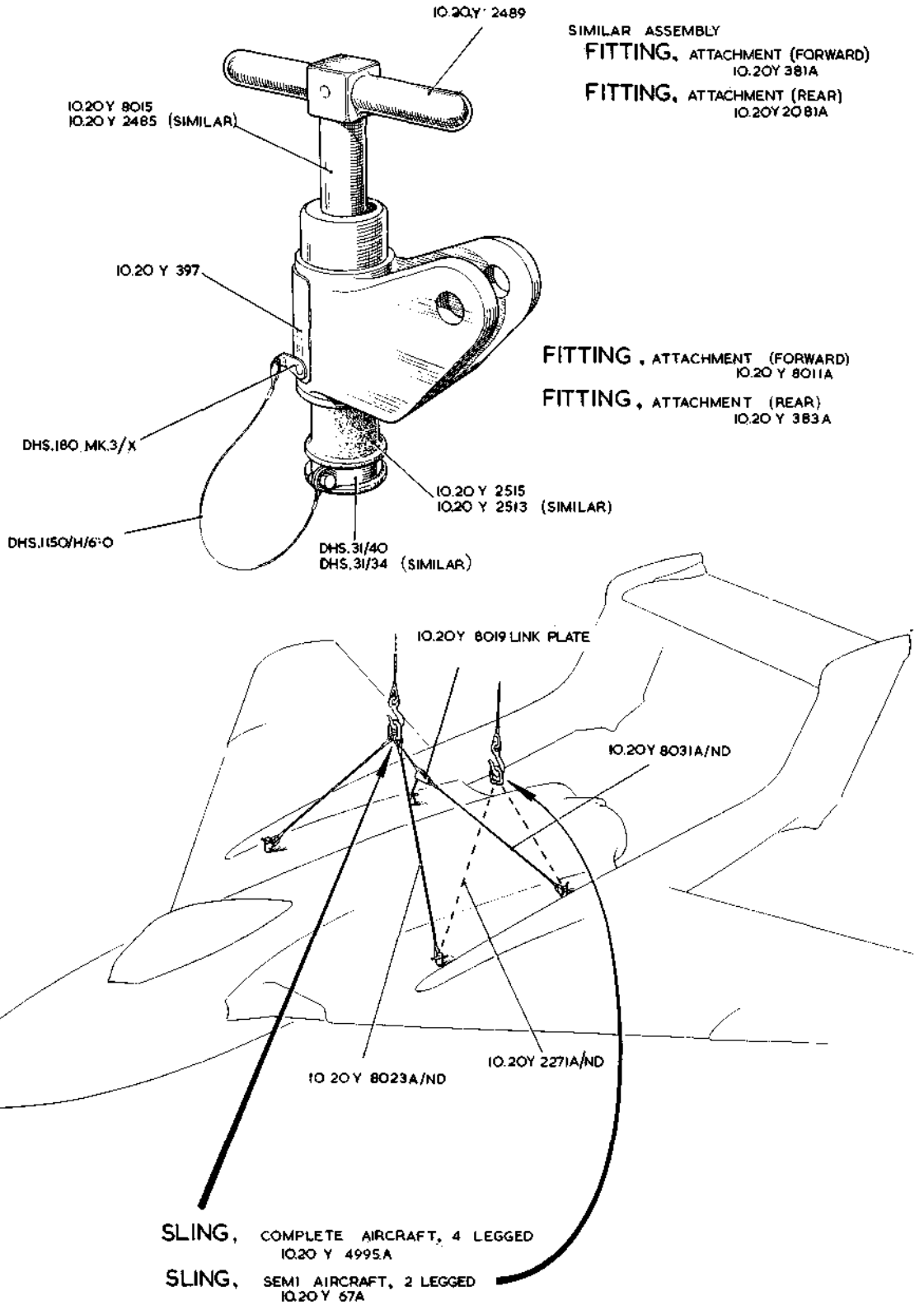


HA.7

# EQUIPMENT, GROUND

HA.7

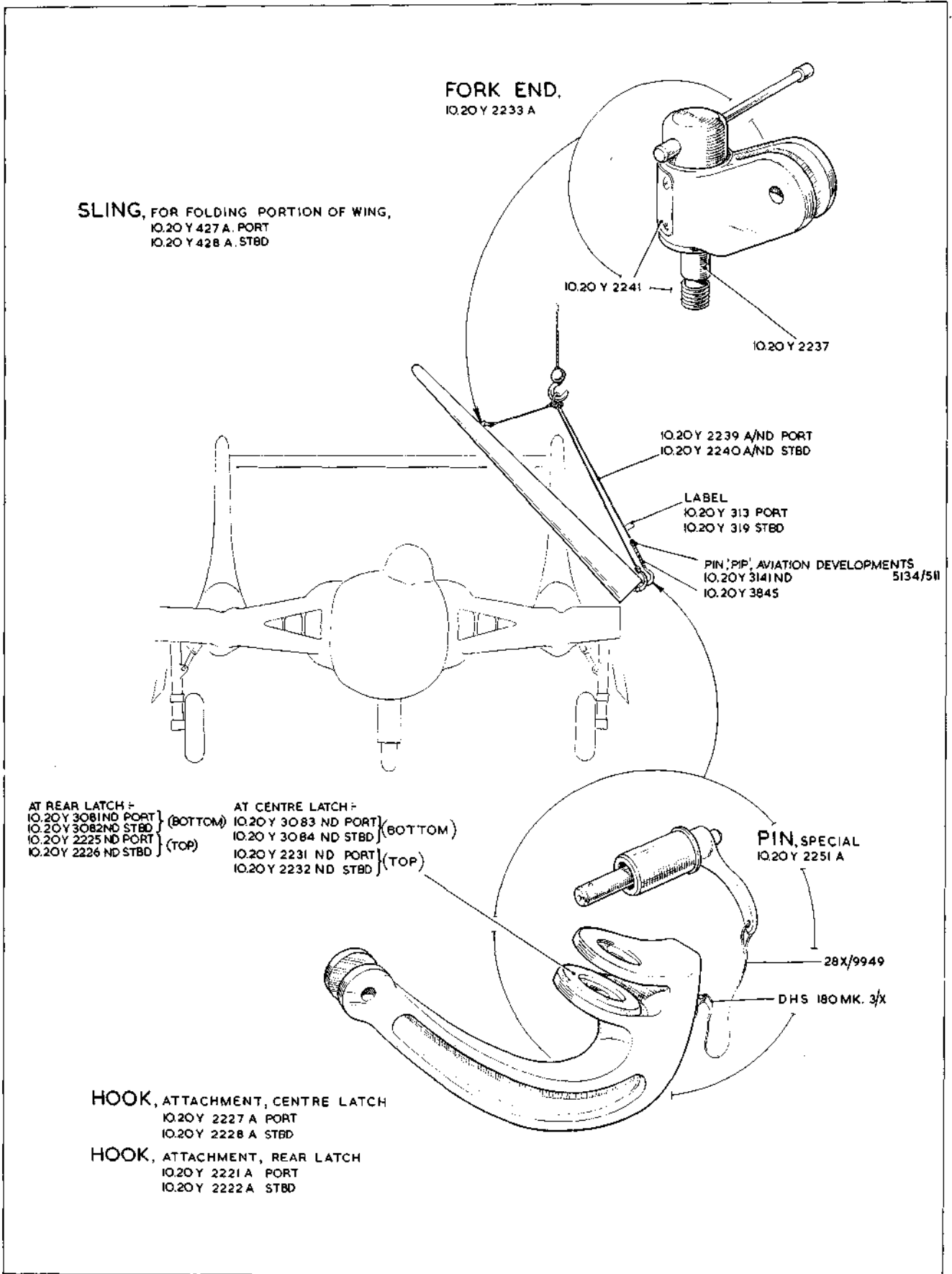
[A.L.40]



HA.8

# EQUIPMENT, GROUND

HA.8  
(A.L.62)

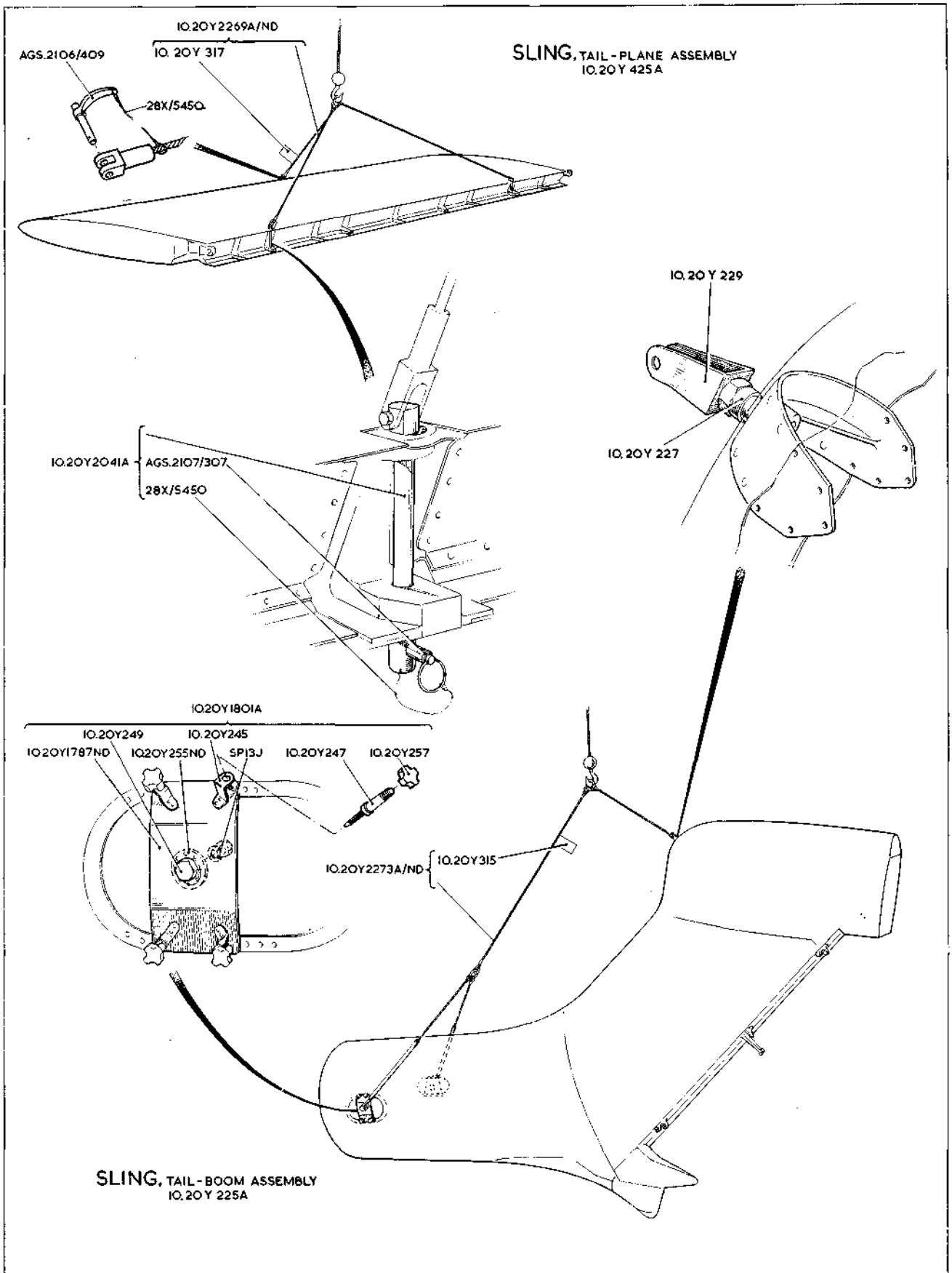


HA.9

**EQUIPMENT, GROUND**

HA.9

[A.L. 40]

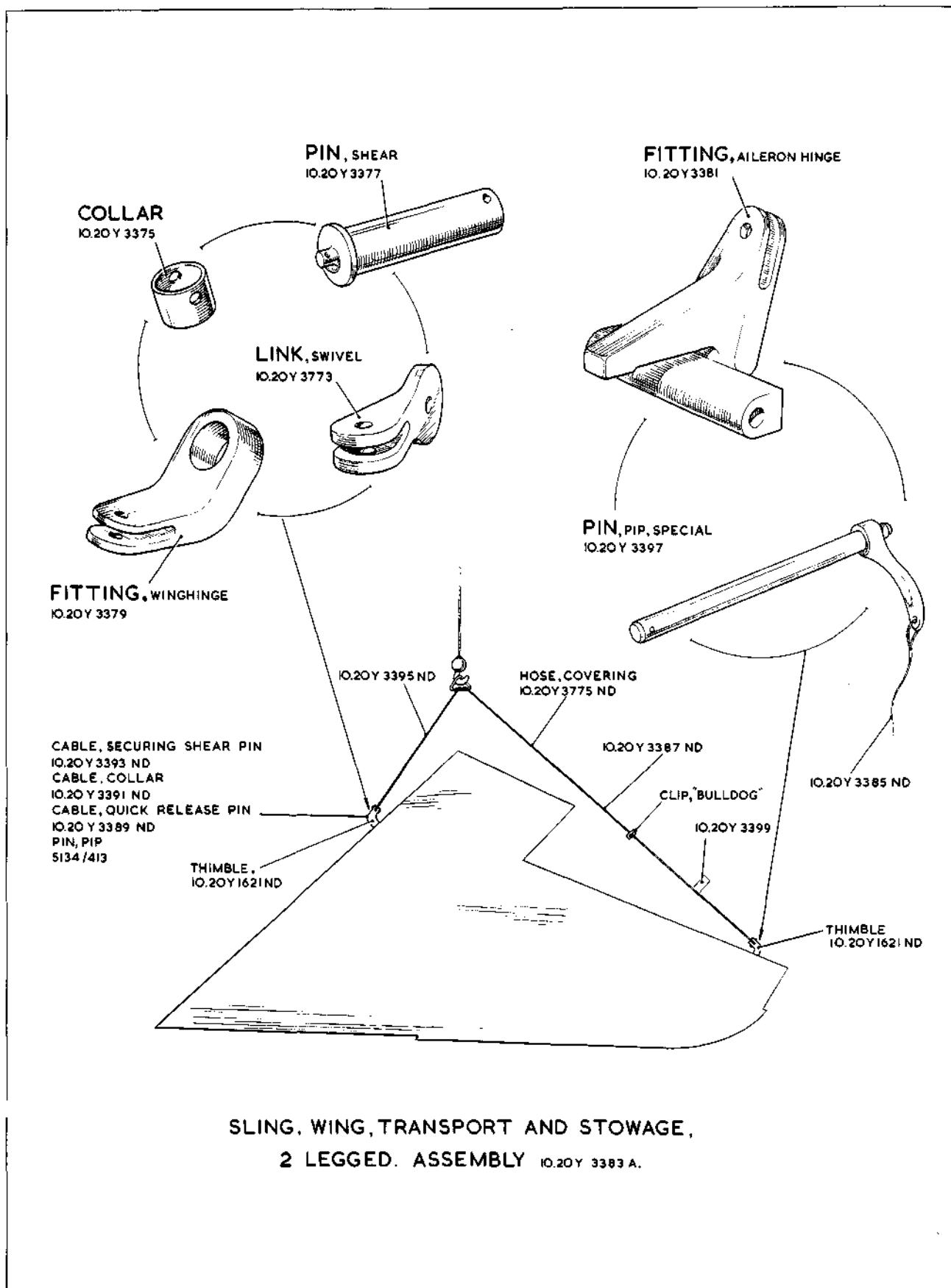


HA.10

# EQUIPMENT, GROUND

HA.10

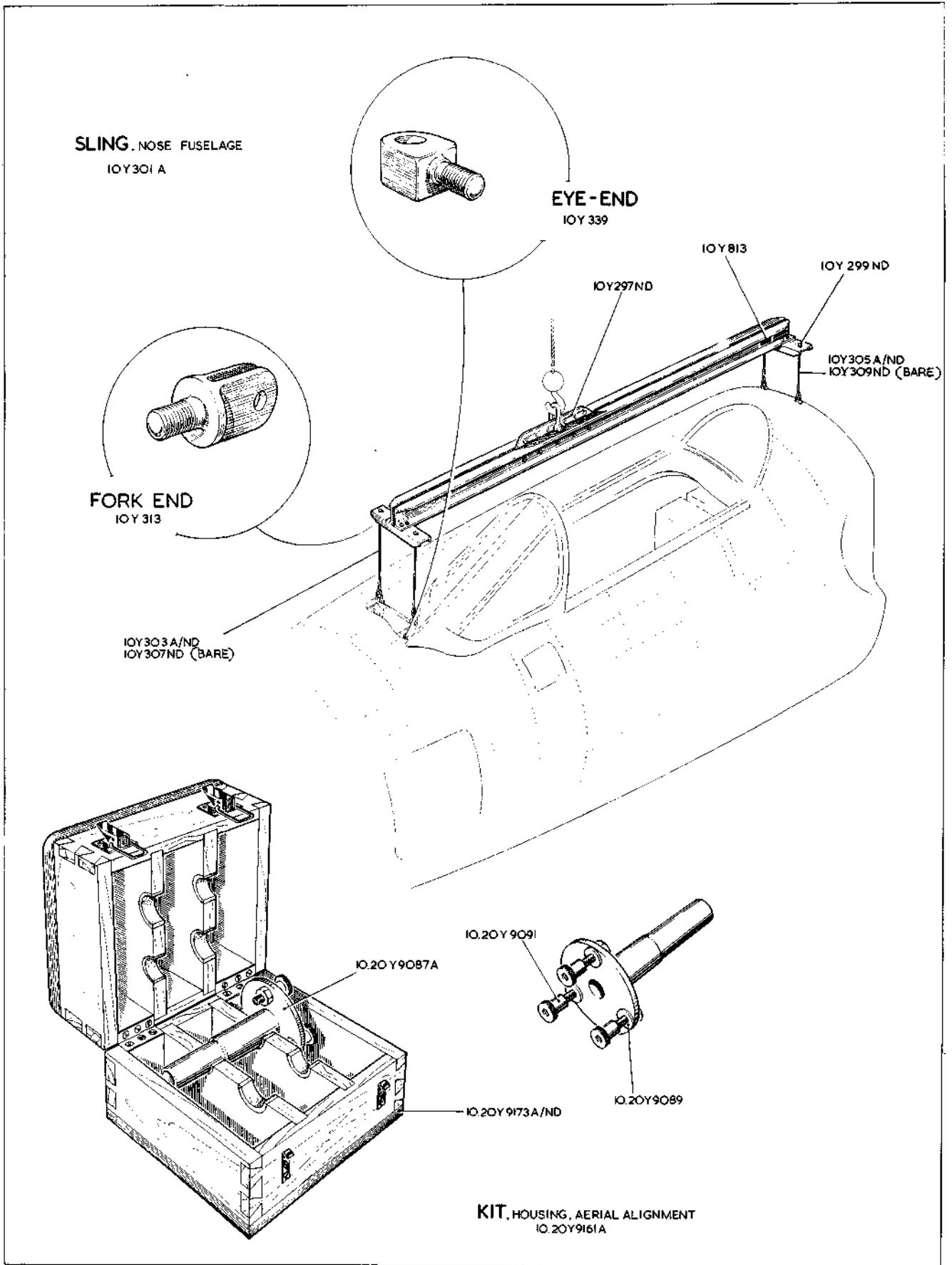
[AL.75]



HA.11

# EQUIPMENT, GROUND

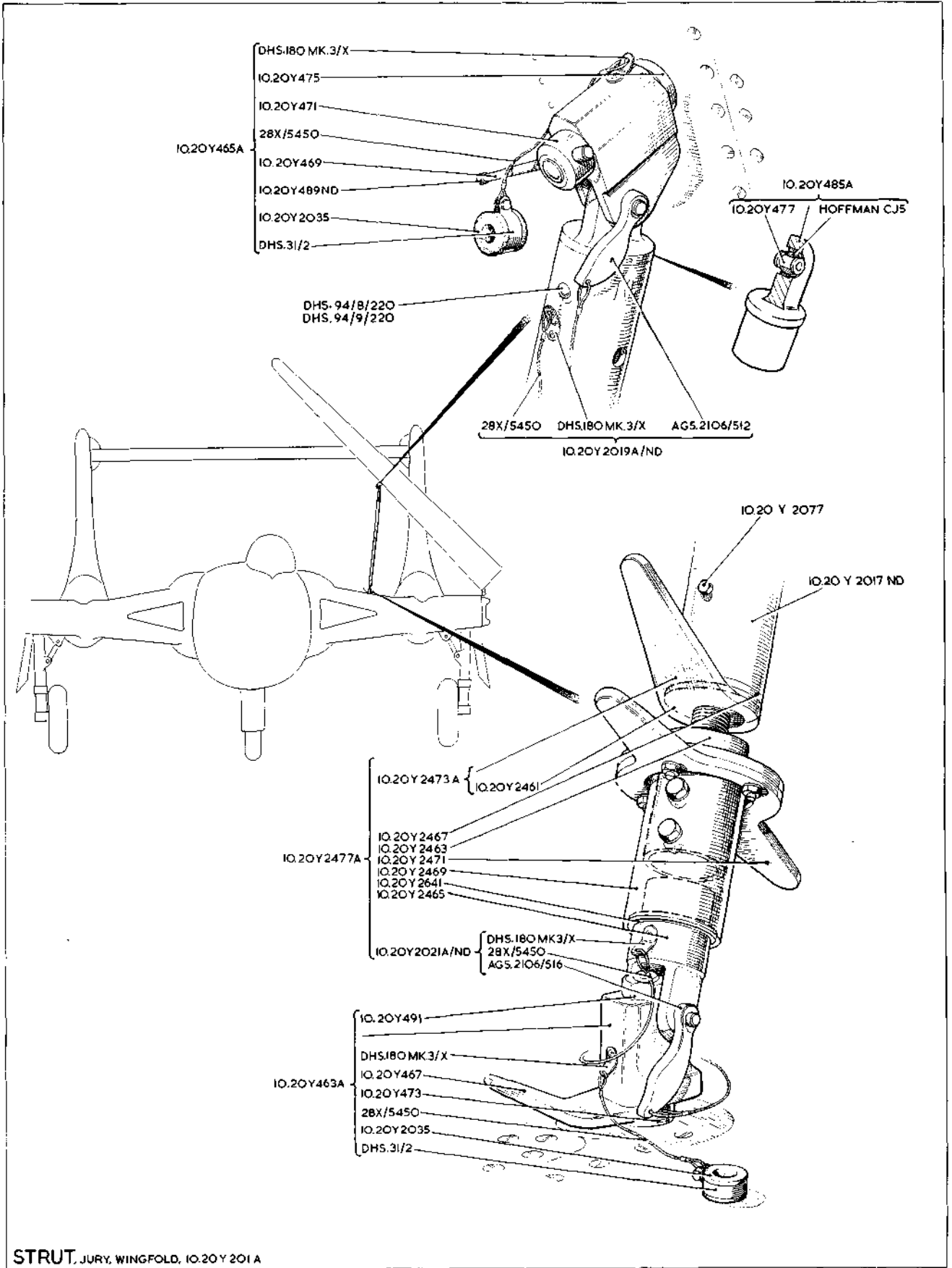
HA.11  
[A.116]



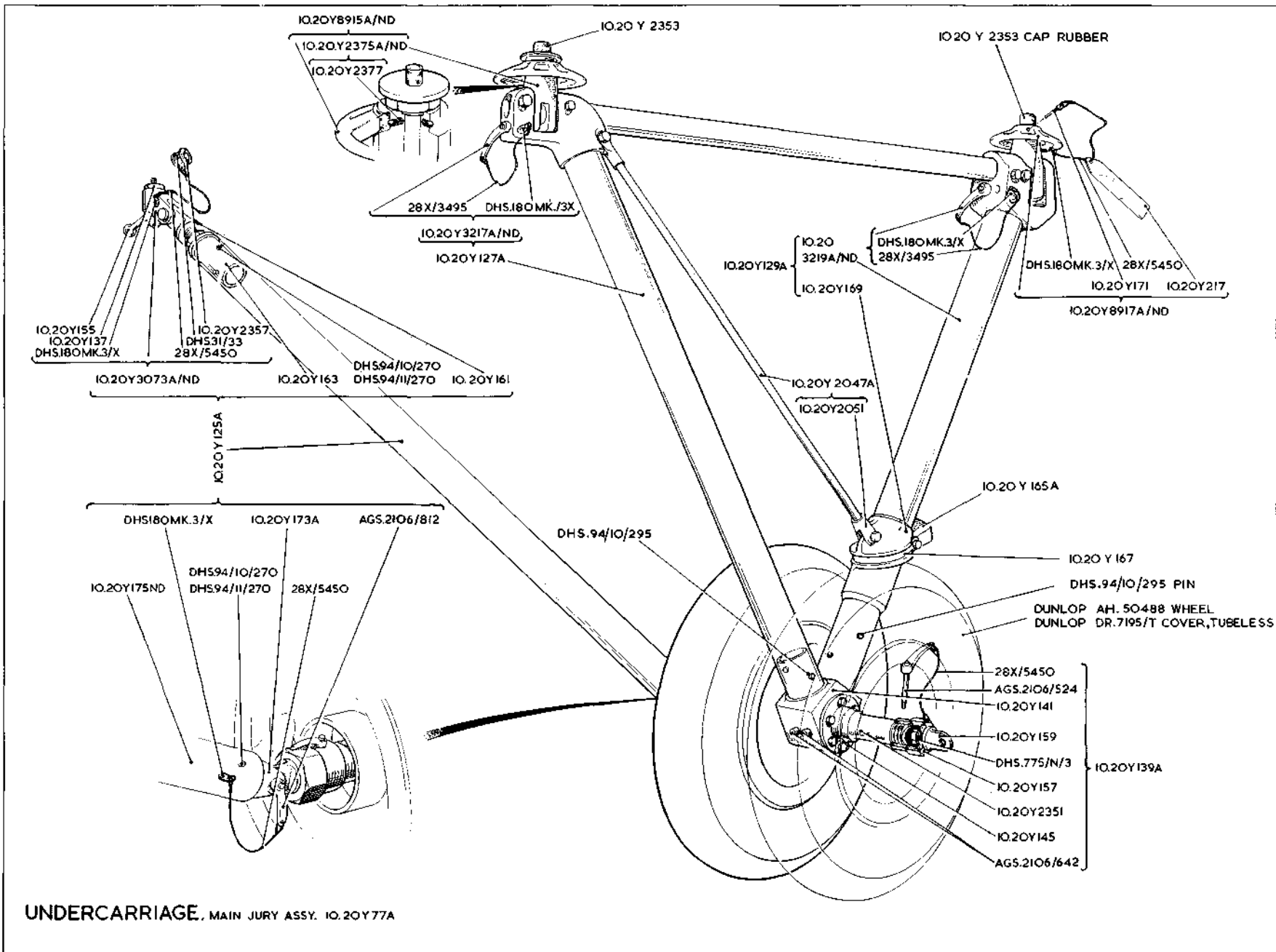
HA.12

# EQUIPMENT, GROUND

HA.12  
[A.L.40]



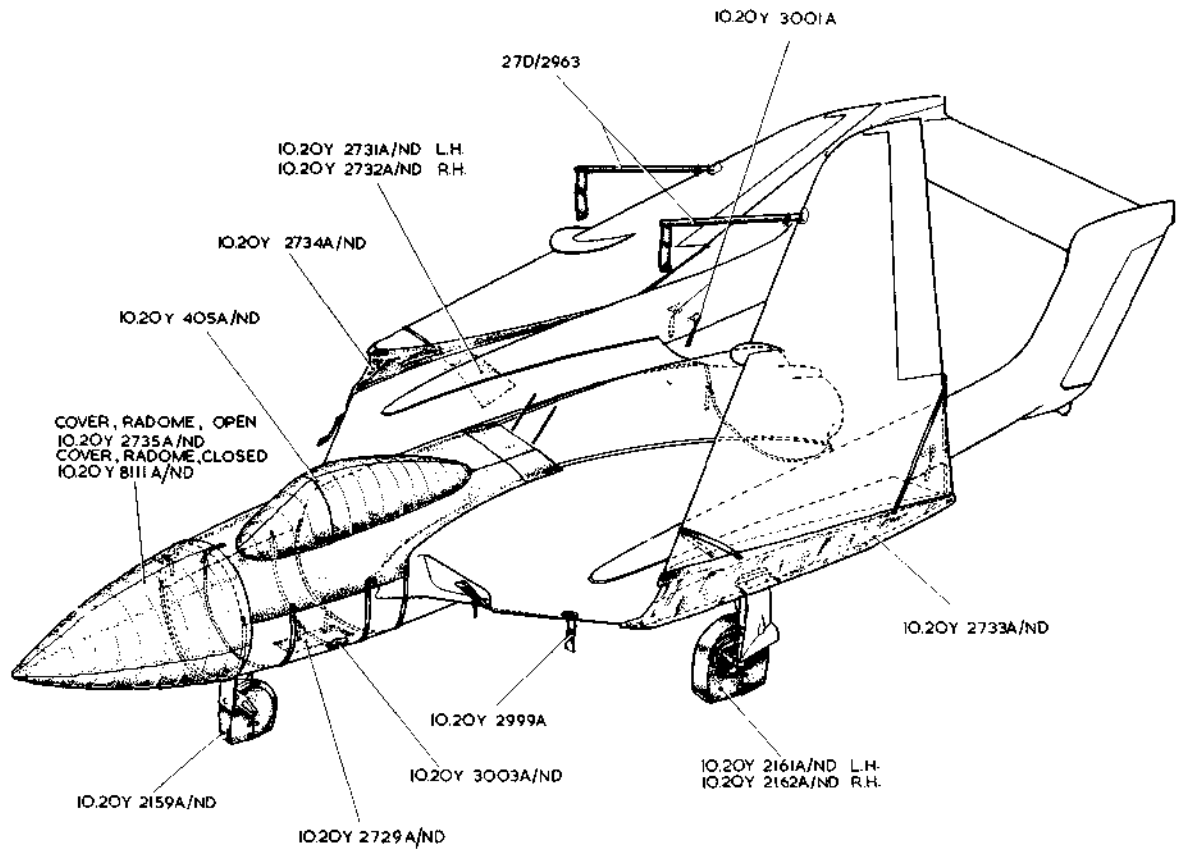
STRUT, JURY, WINGFOLD, IO.20Y 201 A



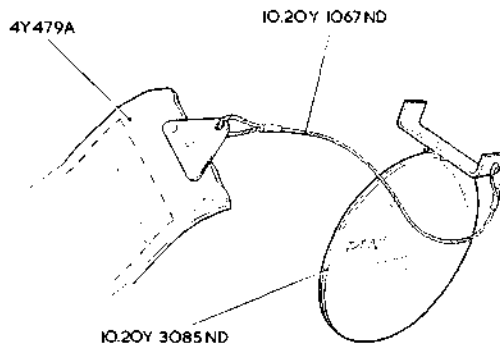
HA.14

EQUIPMENT, GROUND

HA.14  
(A.L.76)



COVERS, FABRIC (DRG No IO 20Y411A)

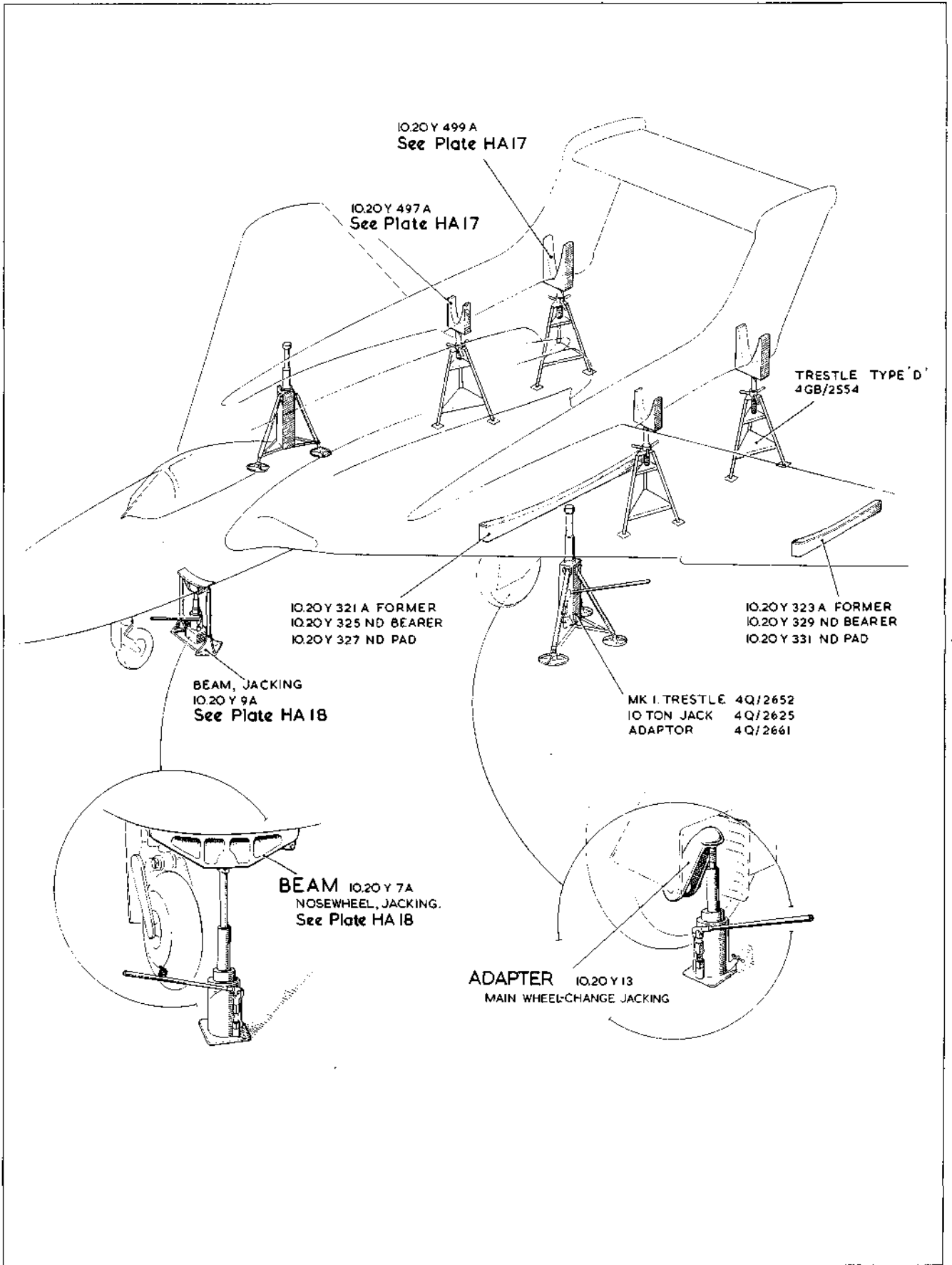


SIMILAR PTS. :-  
 IO.20Y 3085ND X  
 IO.20Y 3091ND O  
 IO.20Y 3093ND O  
 IO.20Y 3089ND O

PLATE, BLANKING, IO.20Y 1061A

SIMILAR PTS. :- IO.20Y 1813A X  
 IO.20Y 2767A O  
 IO.20Y 1059A O

X COMPONENTS OF IO.20Y 1813A  
 O " " " IO.20Y 2767A  
 O " " " IO.20Y 1059A

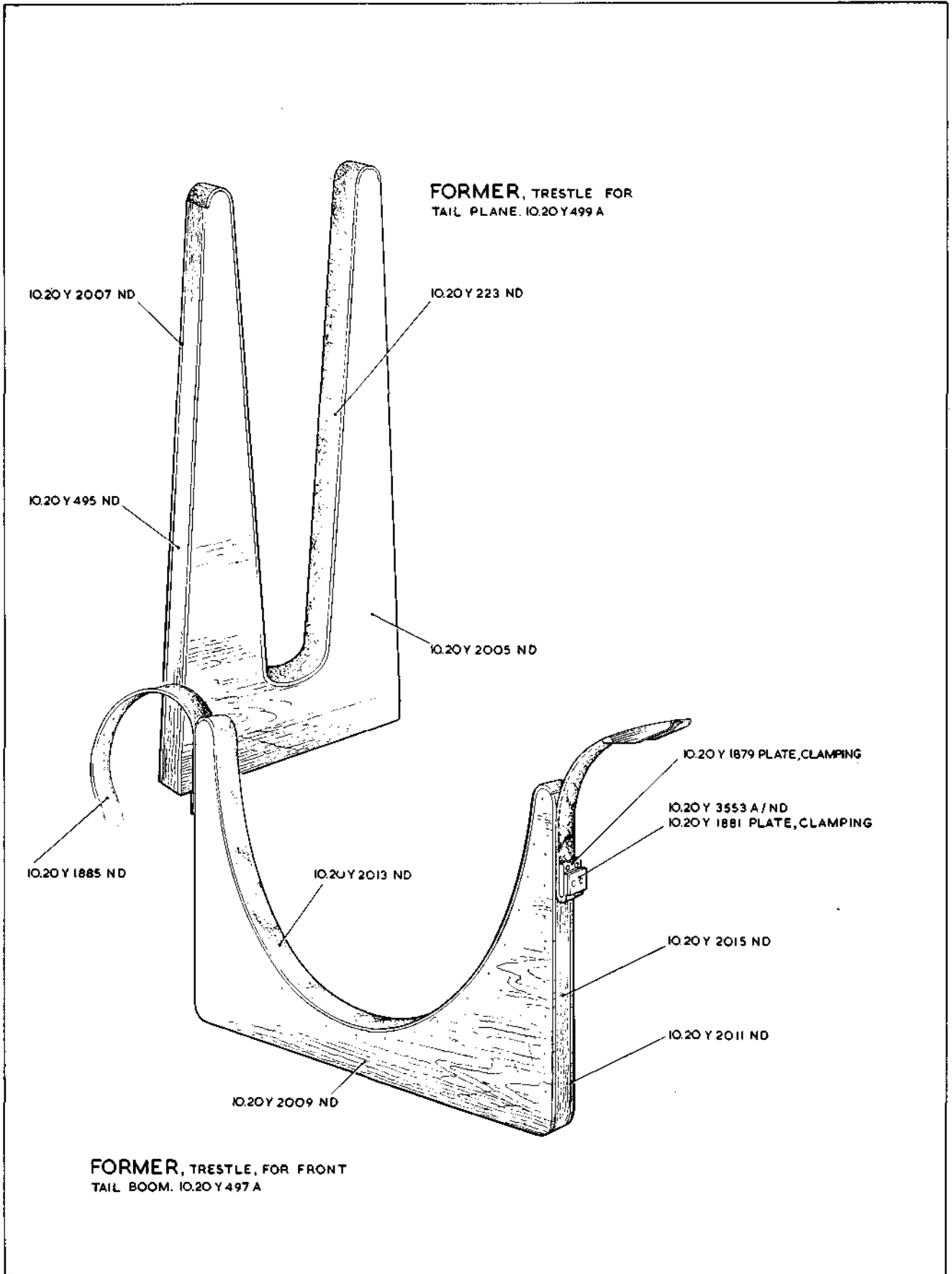


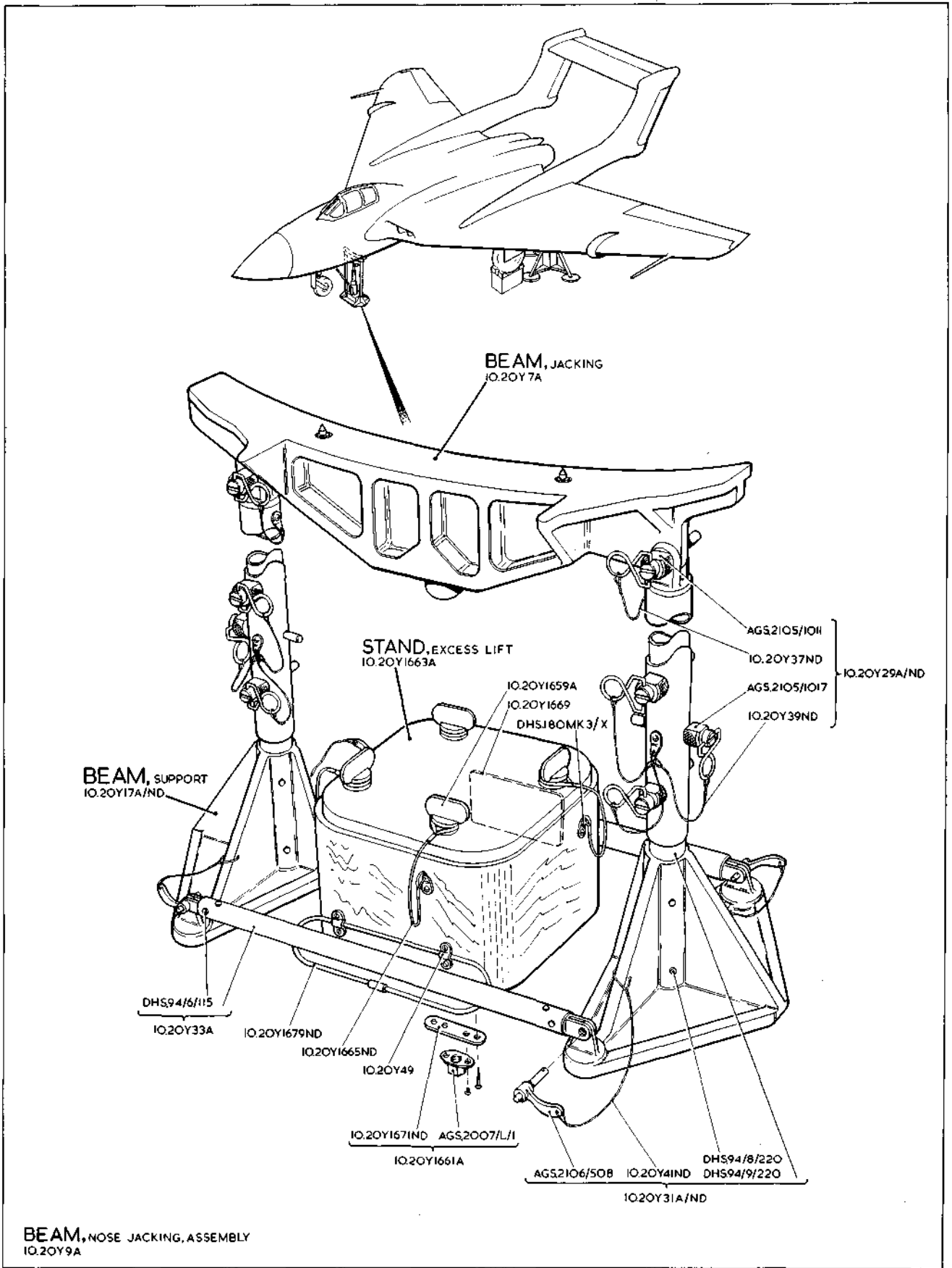
HA.16

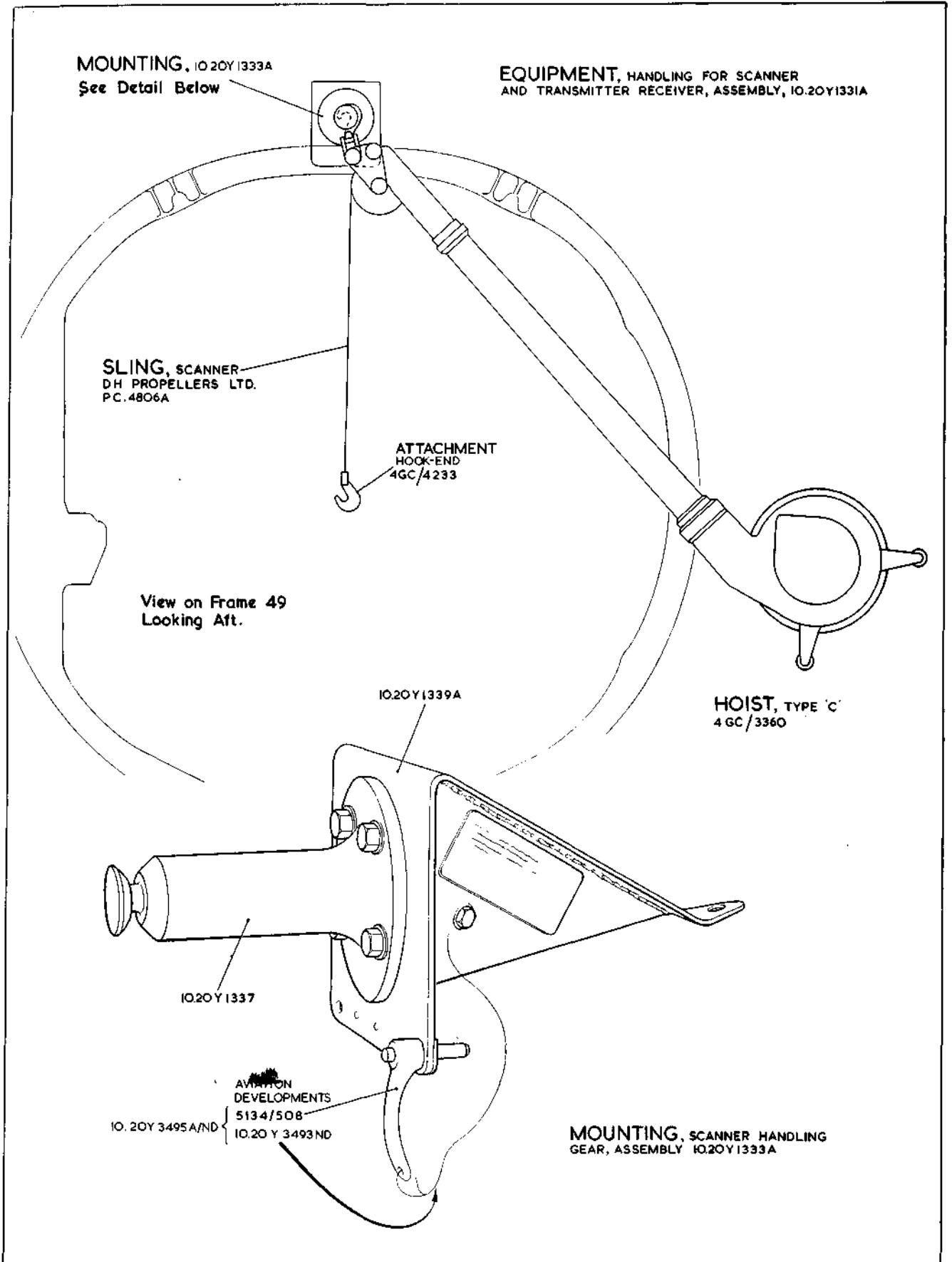
# EQUIPMENT, GROUND

HA.16

(A.L.40)





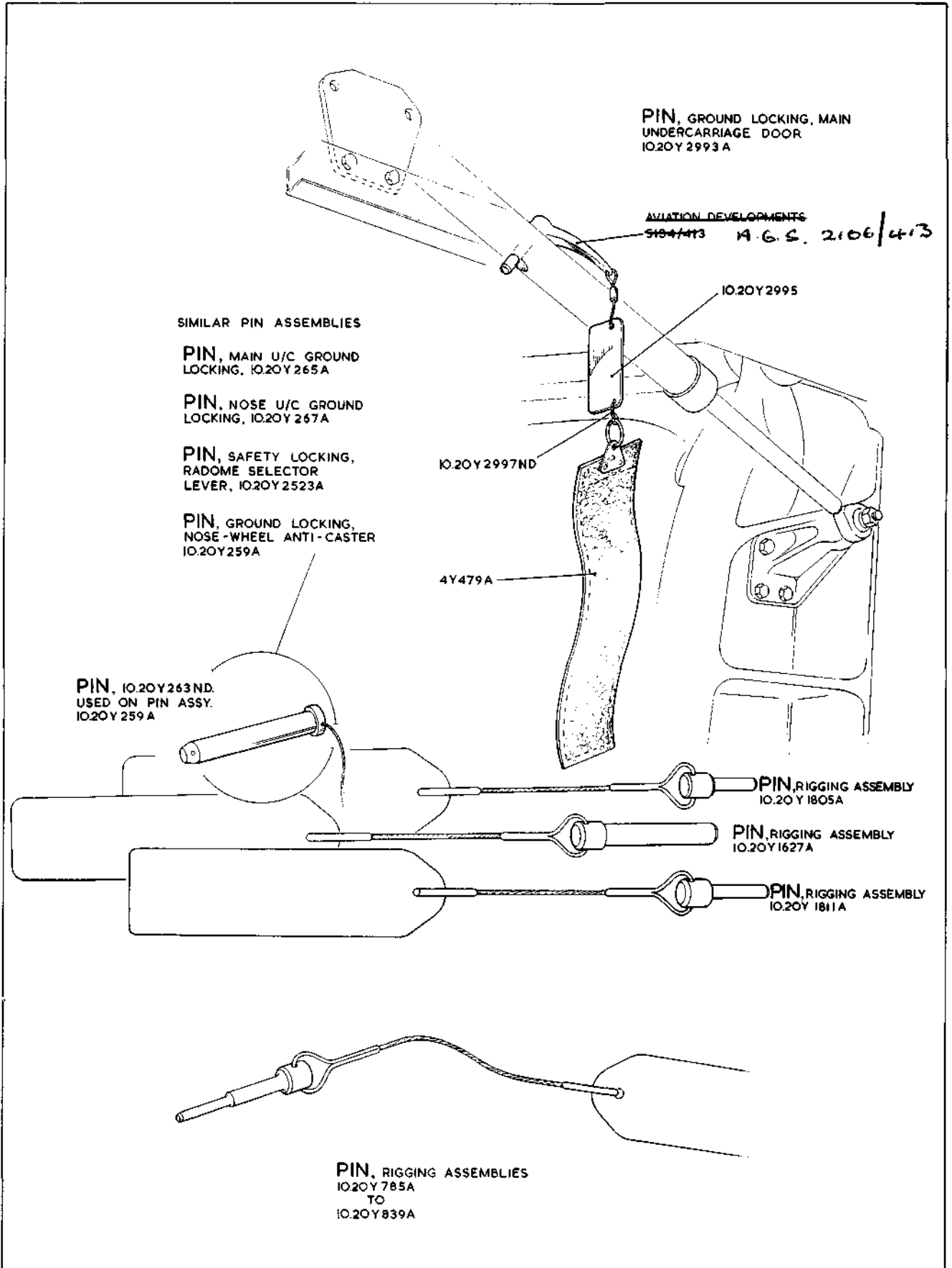


HA.19

# EQUIPMENT, GROUND

HA.19

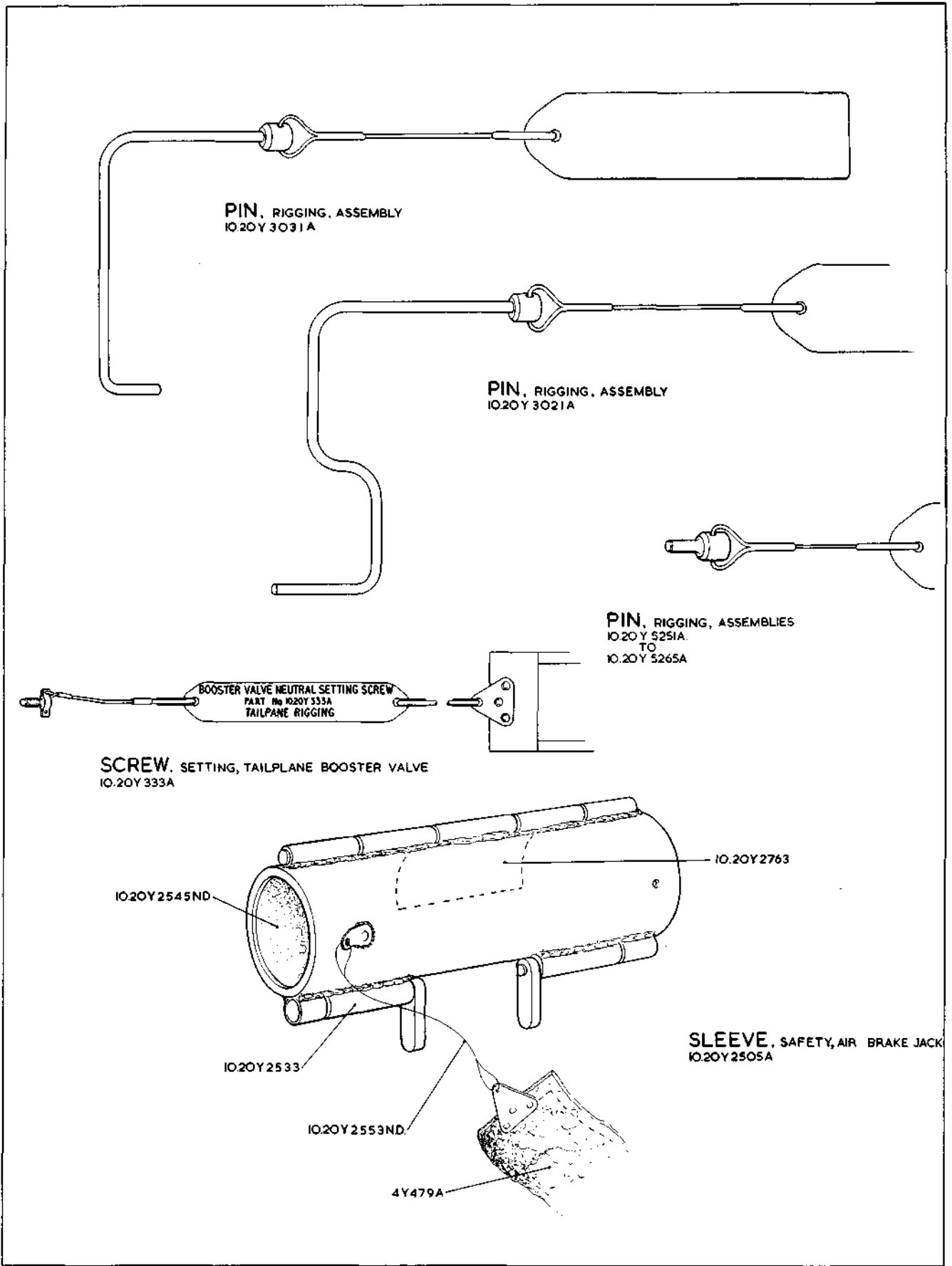
[A.L.40]



HA.20

# EQUIPMENT, GROUND

HA.20  
(A.L.40)

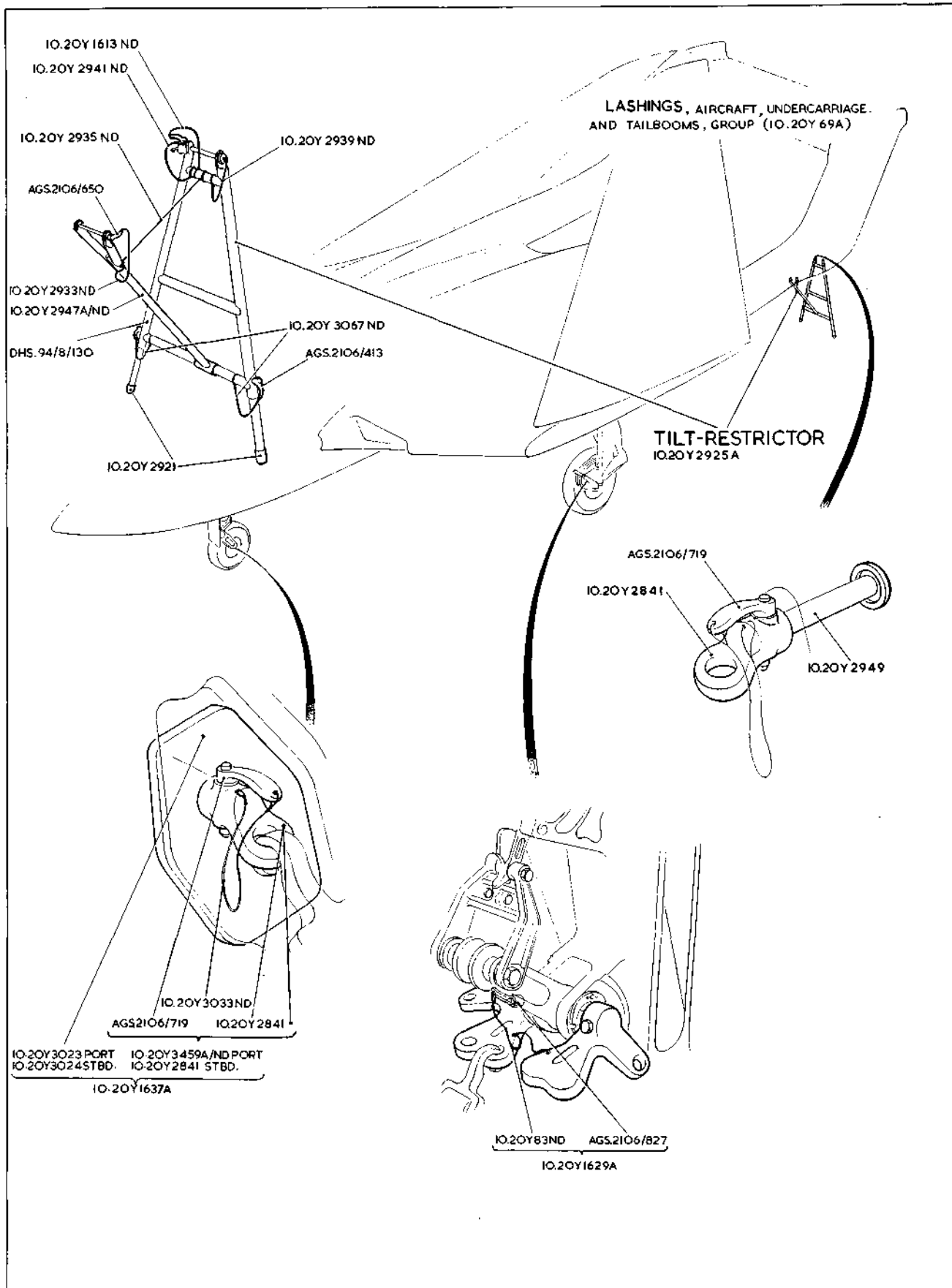


HA.2I

# EQUIPMENT, GROUND

HA.2I

[A.L.40]



HA.22

EQUIPMENT, GROUND

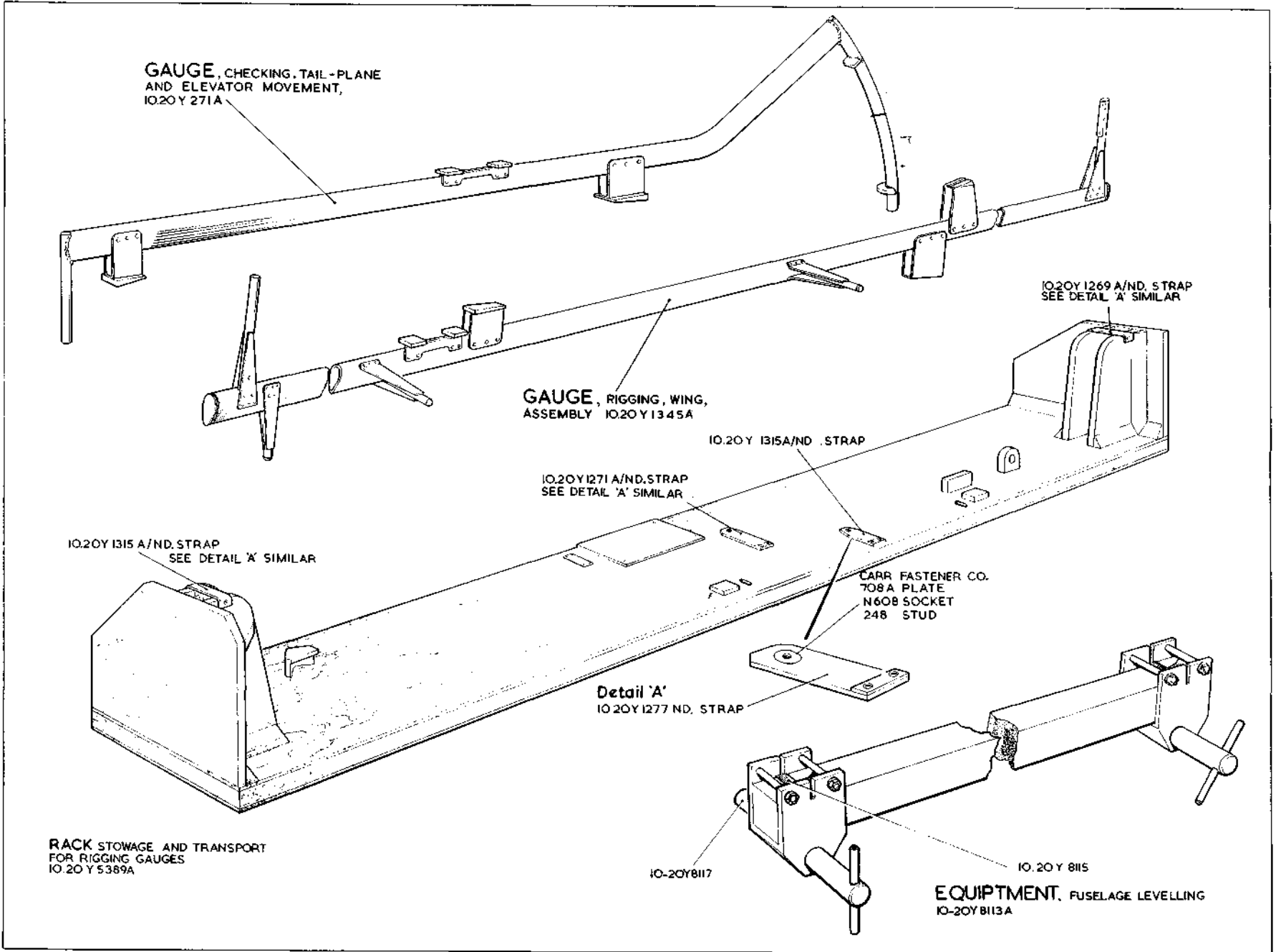
HA.22

[A.L. 75]

HA.23

EQUIPMENT, GROUND

HA.23  
AL-40

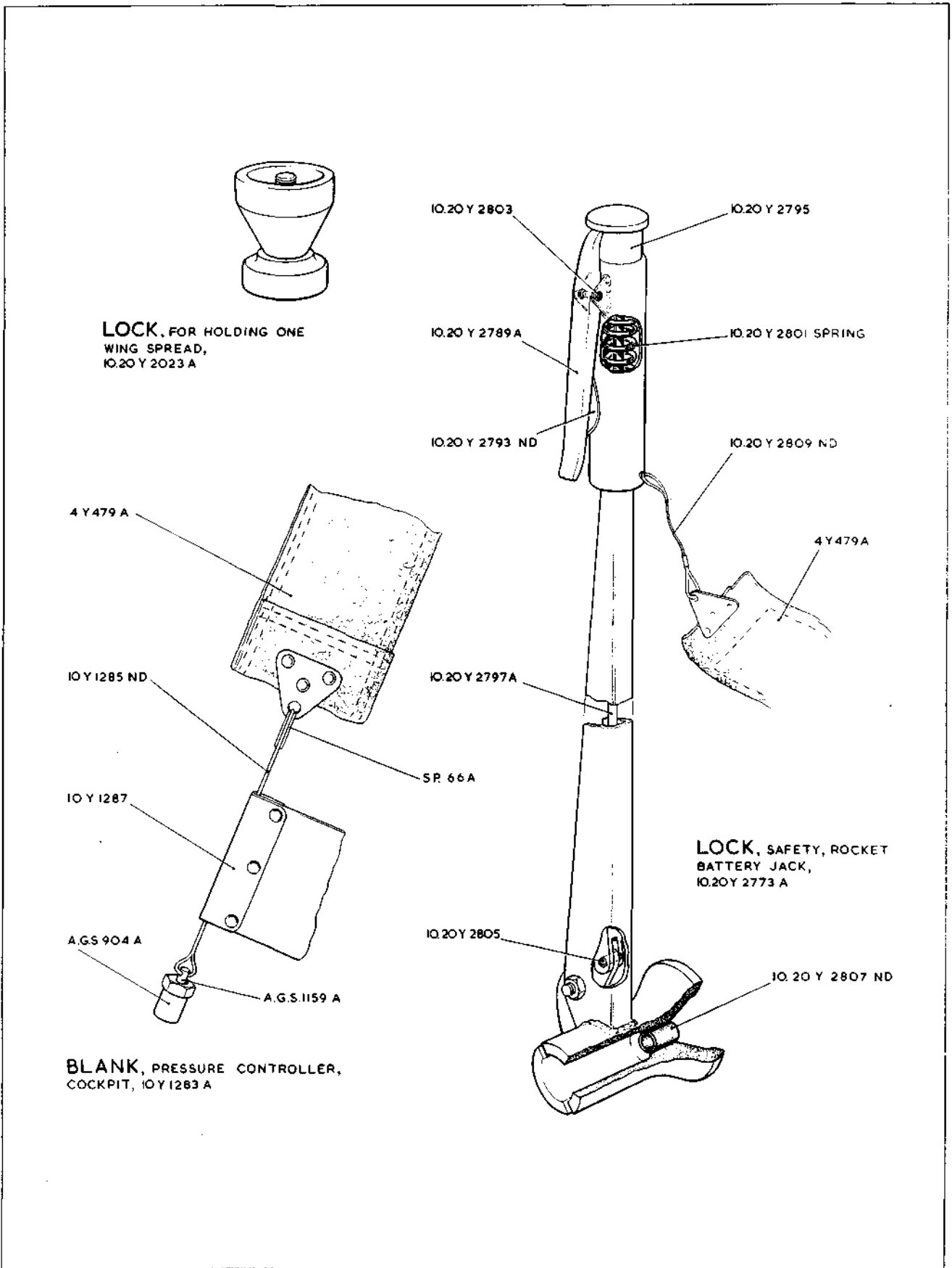


RESTRICTED

See View MK1

RESTRICTED

Plate HA.23

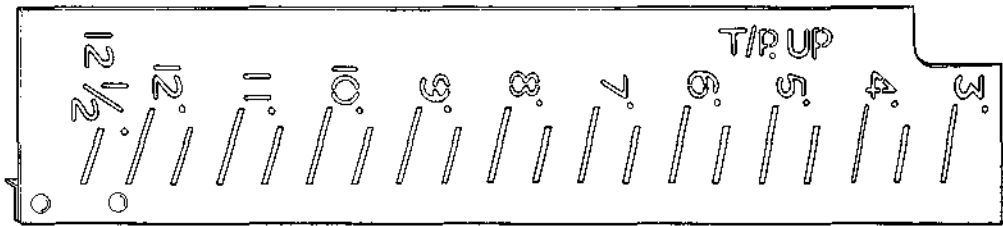


HA.24

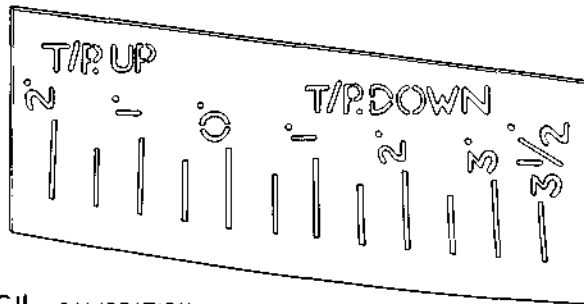
EQUIPMENT, GROUND

HA.24

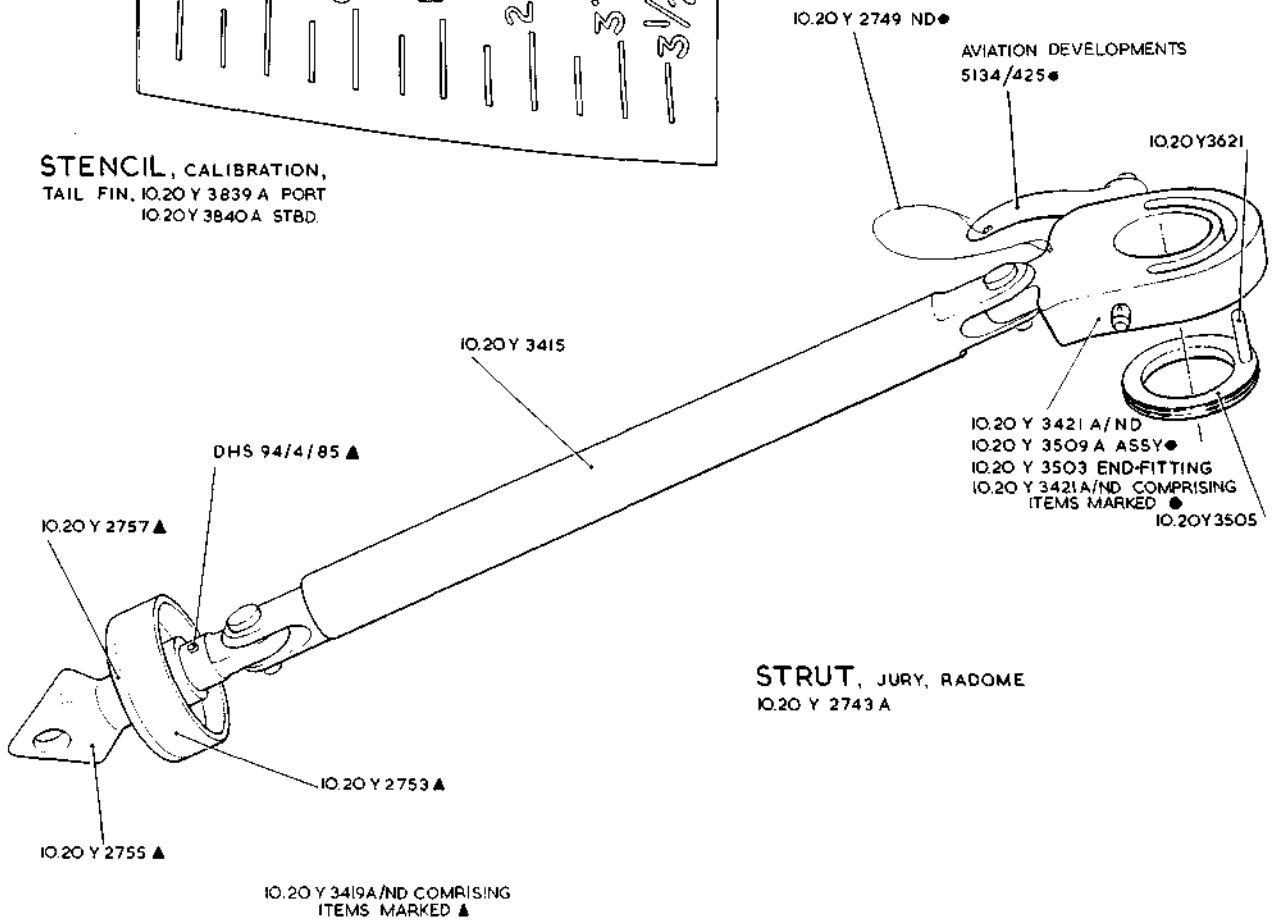
[A.L.18]



**STENCIL, CALIBRATION, TAIL PLANE**  
 IO.20Y 3837 A STBD  
 IO.20Y 3838 A PORT

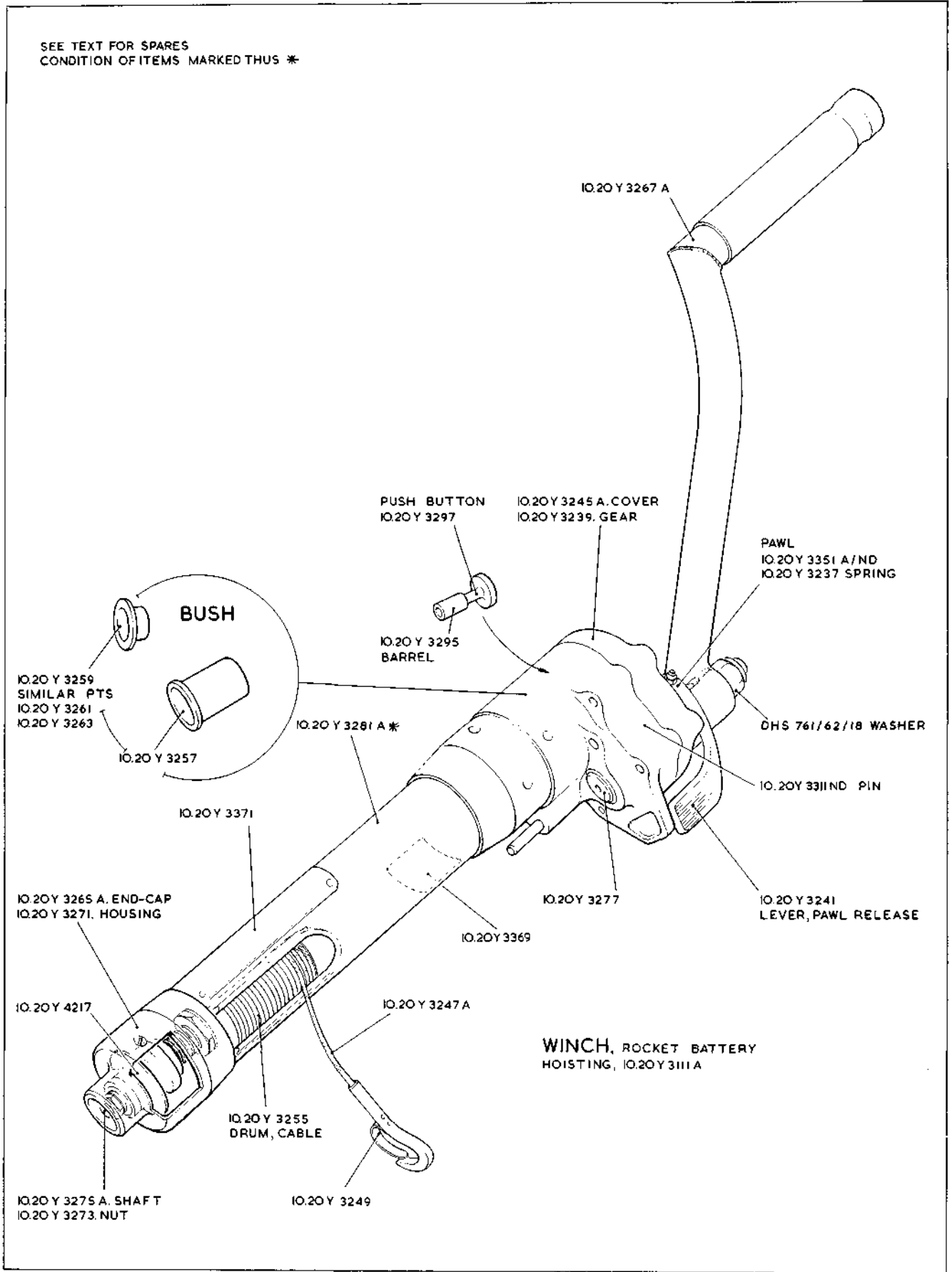


**STENCIL, CALIBRATION, TAIL FIN, IO.20Y 3839 A PORT**  
 IO.20Y 3840 A STBD



**STRUT, JURY, RADOME**  
 IO.20Y 2743 A

SEE TEXT FOR SPARES  
CONDITION OF ITEMS MARKED THUS \*

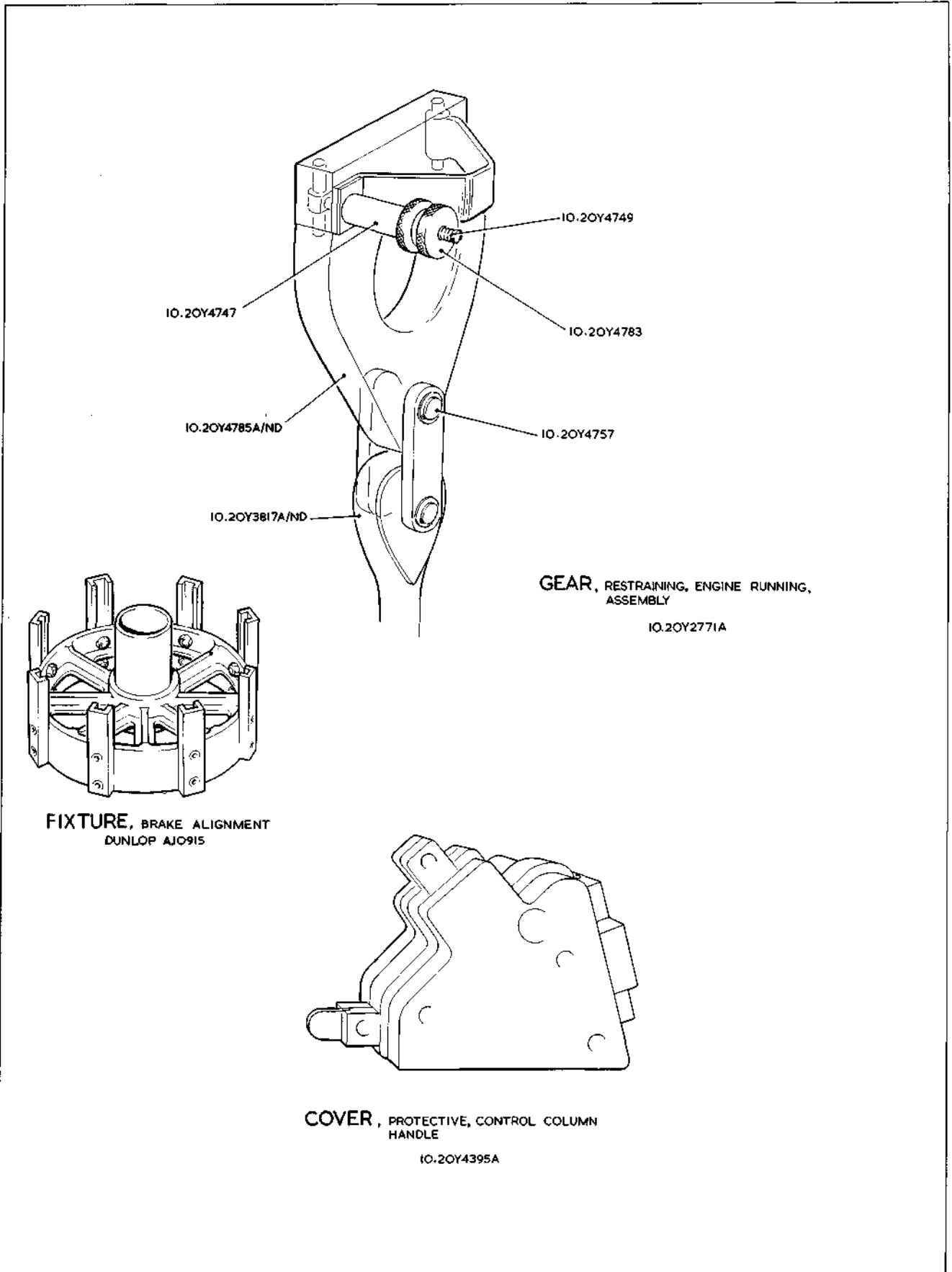


HA.26

# EQUIPMENT, GROUND

HA.26

[A.L.40]

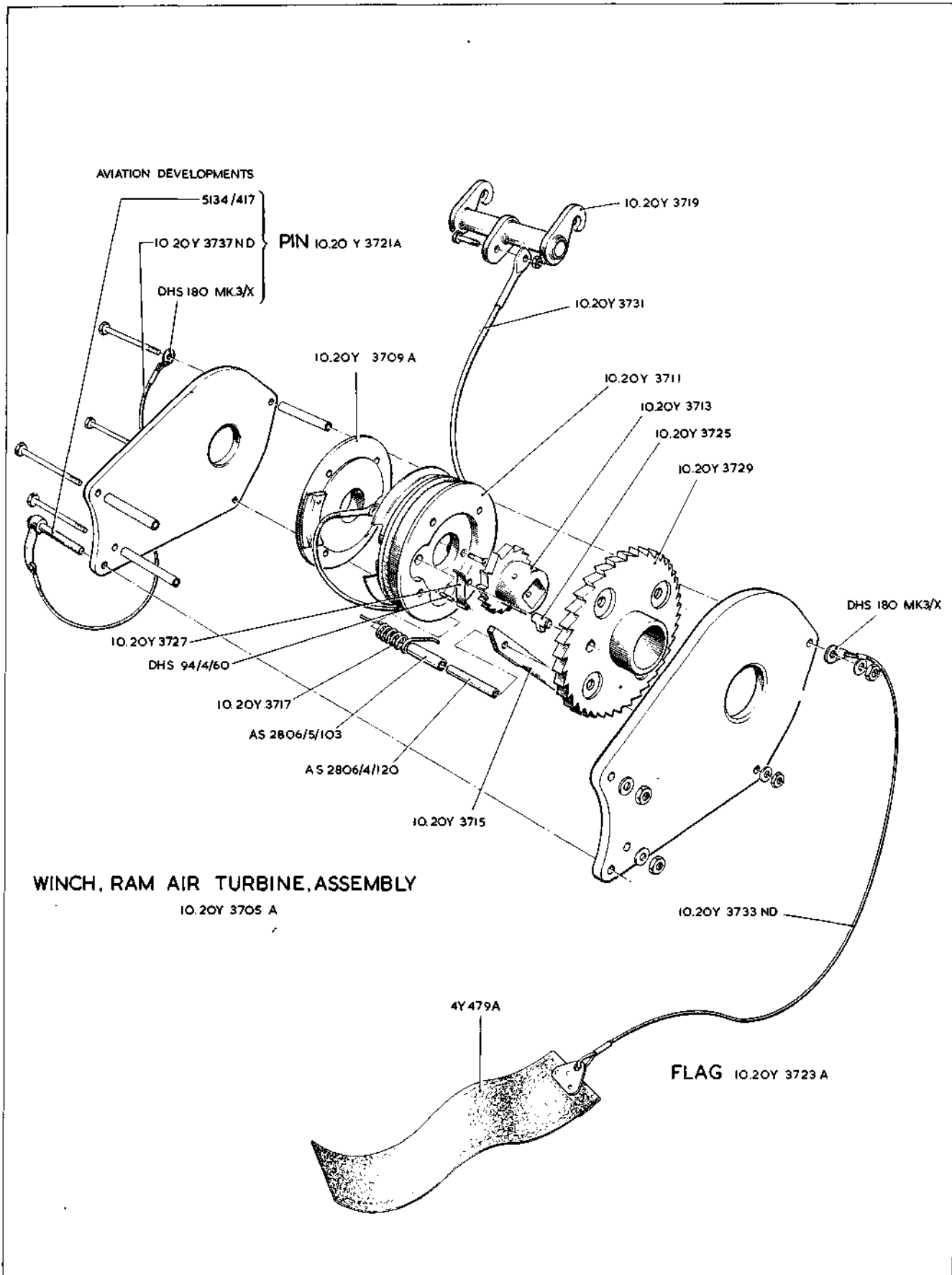


HA.27

EQUIPMENT, GROUND

HA.27

[AL. 62]



HA.28

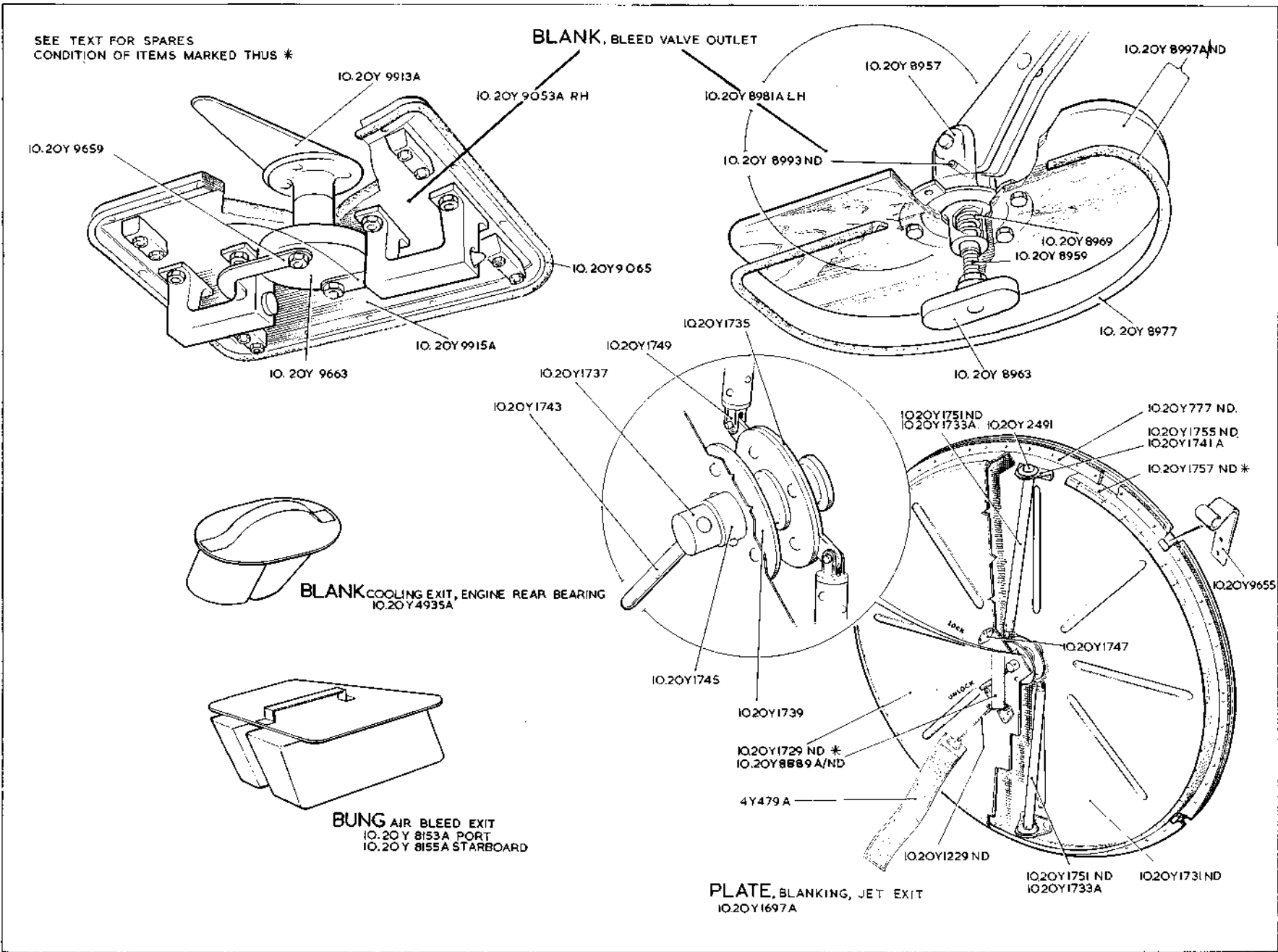
EQUIPMENT, GROUND

HA.28  
[A.L.40]

HA.29

EQUIPMENT, GROUND

HA.29  
[A.L. 66]

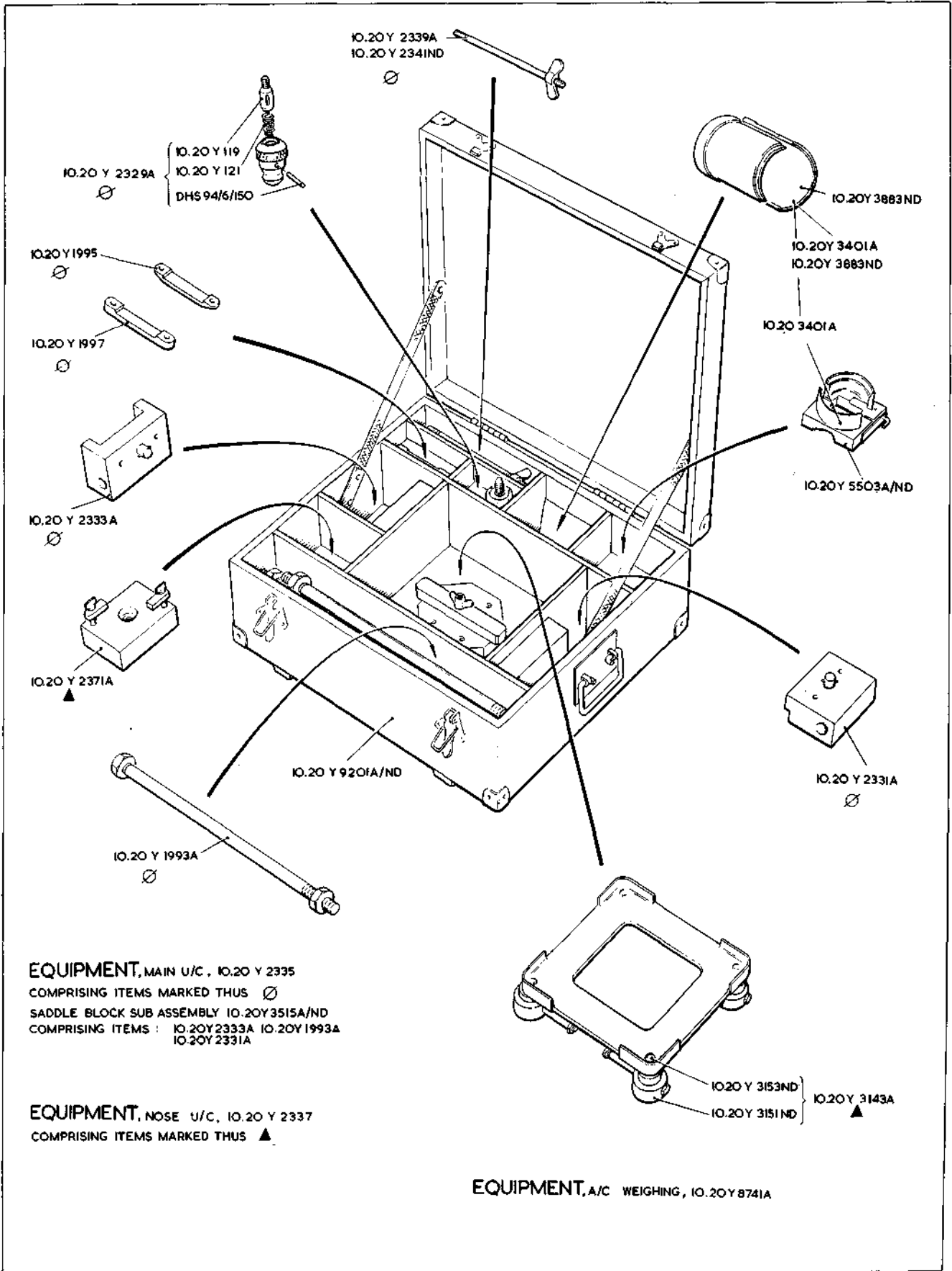


RESTRICTED

See VIKEN MK.1

RESTRICTED

Plate HA.29



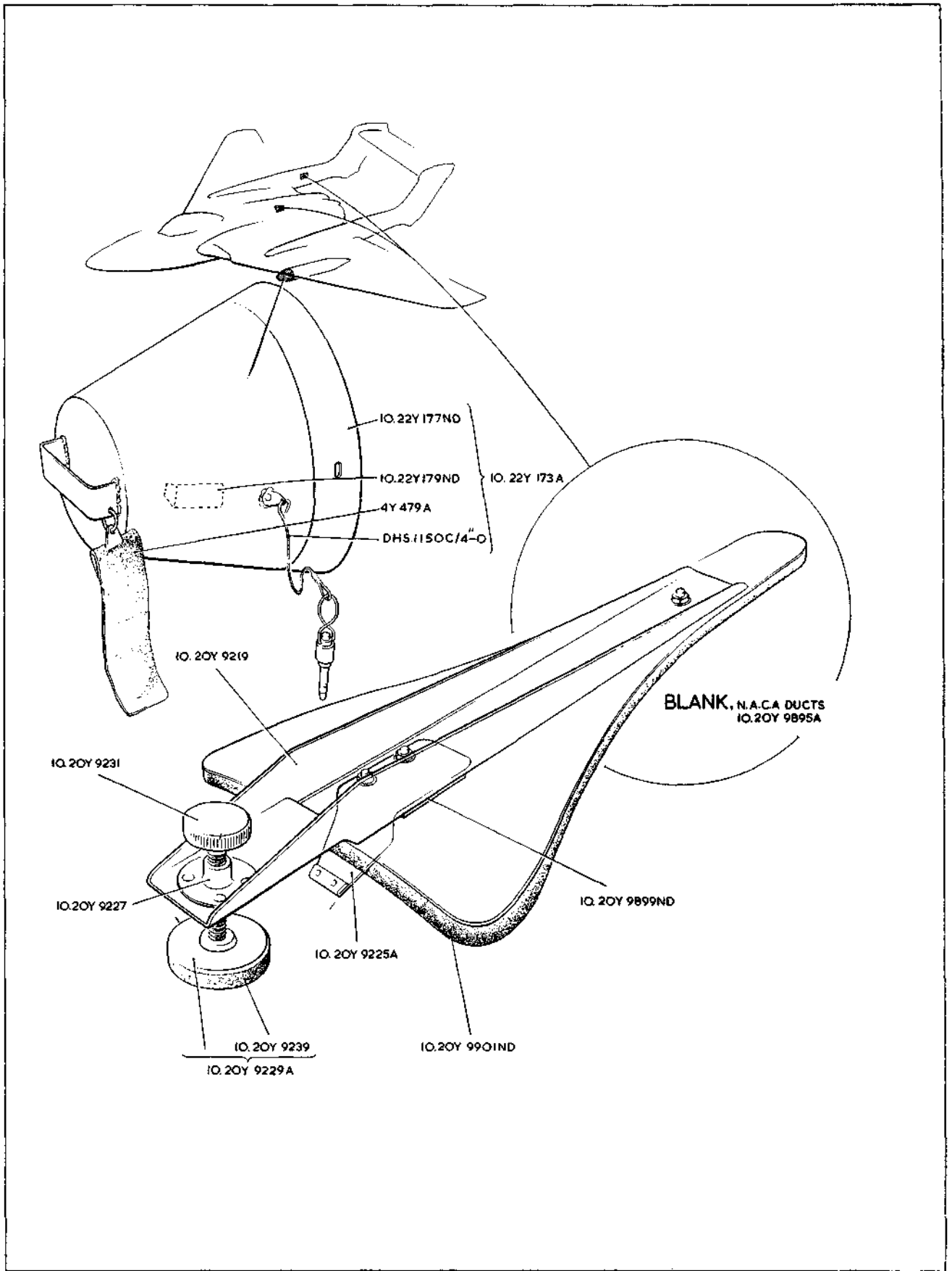
HA.30

**EQUIPMENT, GROUND**

HA.30

[A.L.40]

Sea Vixen Mk. I



HA.31

EQUIPMENT GROUND

HA.31  
[A.L.69]

This file was downloaded  
from the RTFM Library.  
Link: [www.scottbouch.com/rtfm](http://www.scottbouch.com/rtfm)  
Please see site for usage terms,  
and more aircraft documents.

