

**CANOPY JETTISON MECHANISM**

Ref. No.	Part No.	Description	No. off	Material Specification	Class of Store or L.M.	Plate No.
	—	<b>MECHANISM, CANOPY JETTISON, GROUP</b> (Drg. Nos. 10-20 F 3209, 10-20 FS 5989, 10-20 FS 8753, 10-20 FS 12177A, 10-20 FS 16381A and 10-20 FS 20183)	1	—	—	
	10-20 FS 5513A/1	<b>BRACKET &amp; PULLEY</b> , jettison cable, at jettison mechanism, assembly	1	—	—	KC4
	10-20 FS 11203	<b>BRACKET</b> ... ..	1	L.53	—	KC4
	10-20 FS 5515	<b>GUARD</b> , cable ... ..	1	S.1	—	KC4
		Attachments for 10-20 FS 5515, Guard :—				
28M/5808573	A27/CS	Nut, 2 BA ... ..	1	—	C	
28P/9527619	SP.90/C7	Pin, split (SP.9/C8) ... ..	1	—	C	
28W/9419402	SP.13/C	Washer ... ..	1	—	C	
28R/13502	AS.111	<b>PULLEY</b> ... ..	1	—	C	KC4
		Attachments for AS.111, Pulley :—				
28M/1011467	A27/ES	Nut, 1/2" BSF ... ..	1	—	C	
28P/9527619	SP.90/C7	Pin, split (SP.9/C8) ... ..	1	—	C	
28W/9418921	SP.13/E	Washer ... ..	1	—	C	
	10-20 FS 5517	<b>SPINDLE</b> , pulley ... ..	1	S.1	—	KC.4
		Attachments for 10-20 FS 5517, Spindle :—				
28M/1006473	A27/CT	Nut, 2 BA ... ..	1	—	C	
28W/9419402	SP.13/C	Washer ... ..	1	—	C	
		Attachments for 10-20 FS 5513A/1, Bracket :—				
28D.9133011	A25/2C	Bolt, 2 BA ... ..	1	—	C	
28D/1200119	A25/4C	Bolt, 2 BA ... ..	2	—	C	
28M/5808573	A27/CS	Nut, 2 BA ... ..	3	—	C	
28P/9527619	SP.90/C7	Pin, split (SP.9/C8) ... ..	3	—	C	
28W/9419454	SP.10/C	Washer ... ..	3	—	C	
	10-20 FS 5583A	<b>BRACKET &amp; PULLEY</b> , canopy jettison control cable, at stn. 133, assembly	1	—	—	KC1
	3402	<b>BRACKET</b> , pulley ... ..	1	—	C	KC1
	10-20 FS 5585	<b>GUARD</b> , cable, 16 SWG ... ..	1	S.510	LM	KC1
	10-20 FS 5589	<b>PULLEY</b> ... ..	1	—	C	KC1
28R/13502	AS.111	Attachments for AS.111, Pulley :—				
28D/1011242	A25/7E	Bolt, 1/2" BSF ... ..	1	—	C	
28M/1011467	A27/ES	Nut, 1/2" BSF ... ..	1	—	C	
28P/9527619	SP.80/C7	Pin, split (SP.9/C8) ... ..	1	—	C	
28W/9418921	SP.13/E	Washer ... ..	1	—	C	
		Attachments for 10-20 FS 5583A, Bracket :—				
28D/1011021	A25/16C	Bolt, 2 BA ... ..	2	—	C	
28D/1214311	A25/17C	Bolt, 2 BA ... ..	1	—	C	
28M/10288	AGS.2001/C/1	Nut, 2 BA ... ..	3	—	C	
26FC/2036	DHS.69/CC	Shim ... ..	1	—	C	KC1
	AS.2809/4/143	Tube, distance, 1/2" o/d x 22 SWG x 1"-43 long	3	L.62	LM	KC1
28W/9419402	SP.13/C	Washer ... ..	3	—	C	
	10-20 FS 20035A	<b>CABLE</b> , canopy jettison, assembly (Mod. 878)	1	—	—	KC1
1946	10-20 FS 5201A/ND	<b>CABLE</b> , Pilot's handle, assembly	1	—	C	KC1
17191	10-20 FS 20033A/ND	<b>CABLE</b> , seat, attachment, assembly	1	—	C	KC1

**FUSELAGE  
CANOPY JETTISON MECHANISM**

Ref. No.	Part No.	Description	No. off	Material Specification	Class of Store or L.M	Plate No.
28M/1006504	A27/BT	<b>NUT, 4 BA</b> ... ..	1	—	C	
28M/13141	A27/BTL	<b>NUT, 4 BA, L.H.</b> ... ..	1	—	C	
28U/14774	SP.33/B	<b>TURNBARREL</b> ... ..	1	—	C	KC1
	—	<b>CABLE, cocking, canopy jettison, group</b> ... .. (Drg. No. 10-20 FS 16381A)	1	—	—	
13900	10-20 FS 16375A	<b>CABLE, re-cocking, assembly (Mod. 454)</b> ... ..	1	—	C	KC1
20211	10-20 FS 16195A	<b>PLATE, fairlead mounting, assembly (Mod. 454)</b> ... ..	1	—	C	KC1
	10-20 FS 16177	Spares for :— <b>FAIRLEAD</b> ... ..	1	LFB.82 or 89	LM	KC1
28FP/1229	DZUS S3/150/D12	<b>SPRING</b> ... ..	1	—	—	
14232	10-20 FS 16607	<b>CAM, jettison, Port (Mod. 620)</b> ... ..	1	—	C	KC3
14233	10-20 FS 16609	<b>CAM, jettison, Starboard (Mod. 620)</b> ... ..	1	—	C	KC3
		Attachments for 10-20 FS 16607 or 10-20 FS 16609. Cam :—				
28P/19234	SP.90/E8	Pin, split (SP.9/E10) ... ..	1	—	C	
28W/9419403	SP.13/G	Washer ... ..	1	—	C	
	—	<b>ELECTRICAL COMPONENTS</b> ... .. (See sub-section EBR)	—	—	—	
5K/2868	SP.40/B8	<b>GROMMET, cable entry</b> ... ..	1	—	C	
	10-20 FS 10821A	<b>GUARD, cable, between stn. 124 and stn.131, assembly</b> ... ..	1	—	—	KC1
	10-20 FS 10823ND	<b>SECTION, channel, 20 SWG</b> ... ..	1	L.72	LM	KC1
	10-20 FS 10825	<b>STIFFENER, 18 SWG</b> ... ..	2	L.72	LM	KC1
27L/—	MARTIN BAKER MBCJ/1645	<b>GUN, canopy jettison, water sealed, Port (Mod. 1471)</b> ... ..	1	—	—	KC1
		Attachments for MBCJ/1645, Gun :—				
28D/1200119	A25/4C	Bolt, 2 BA ... ..	3	—	C	
28M/10288	AGS.2001/C/1	Nut, 2 BA ... ..	3	—	C	
	OR					
5618	A27/CP/DHS.514/D	Nut, 2 BA (Alternative S21/A27/CP) (Use when maximum shimming is required)	3	—	C	
12621	10-20 F 2873ND	Shim (if required) ... ..	2	—	C	KC1
26FN/3285	DHS.180 Mk. 3/X	Tag, locking... ..	1	—	C	KC1
28W/9419475	SP.15/C	Washer ... ..	3	—	C	
27L/—	MARTIN BAKER MBCJ/1649	<b>GUN, canopy jettison, water sealed, Starboard</b> ... .. (Mod. 1471)	1	—	—	KC1
		Attachments for MBCJ/1649, Gun :—				
28M/10288	AGS.X001/C/1	Nut, 2 BA ... ..	3	—	C	
28M/10291	AGS.2001/G/1	Nut, $\frac{5}{16}$ " BSF ... ..	1	—	C	
	OR					
3406	A27/GP/DHS.514/D	Nut, $\frac{3}{16}$ " BSF (Alternative S21/A27/GP) (Use when maximum shimming is required)	1	—	C	
12620	10-20 F 2871ND	Shim (if required) ... ..	2	—	C	KC1
26FN/3285	DHS.180 Mk. 3/X	Tag, locking... ..	1	—	C	KC1
28W/9419475	SP.15/C	Washer ... ..	3	—	C	
28W/9419476	SP.15/G	Washer ... ..	1	—	C	
	—	<b>HANDLE, canopy, jettison control cable and safety pin, group</b> ... ..	1	—	—	
12766	10-20 FC 1691A	<b>HANDLE, assembly (Mod. 210)</b> ... ..	1	—	C	KC1
		Spares for :—				
26DL/5731	DHS.94/4/55	<b>PIN</b> ... ..	1	—	C	KC1
	MARTIN BAKER O/MBEU/16146	<b>PIN, safety (Mod. 1408)</b> ... ..	1	—	—	KC1
7120	10-20 FC 1535	<b>WASHER, tab</b> ... ..	1	—	C	KC1

## FUSELAGE

## CANOPY JETTISON MECHANISM

Ref. No.	Part No.	Description	No. off	Material Specification	Class of Store or L.M	Plate No.
	10-20 FS 5221A	<b>HOUSING</b> , canopy jettison external handle, assembly	1	—	—	KC4
	10-20 FS 6477A	<b>CATCH</b> , handle, assembly ... ..	1	—	—	KC4
1960	10-20 FS 5223	<b>HOUSING</b> , bare ... ..	1	—	C	KC4
	10 FS 3239ND	<b>PIN</b> , catch ... ..	1	S.96	—	KC4
1961	10 FS 3043	<b>PLUG</b> , spring retaining ... ..	1	—	C	KC4
28R/13502	AS.111	<b>PULLEY</b> ... ..	1	—	C	KC4
		Attachments for AS.111, Pulley:—				
28M/1011467	A27/ES	Nut, 1/2" BSF ... ..	1	—	C	
28P/9527619	SP.90/C7	Pin, split (SP.9/C8) ... ..	1	—	C	
28W/9418921	SP.13/E	Washer ... ..	1	—	C	
	J. WALKER & Co.					
2408	24000/05/10	<b>SEAL</b> , "Lion 'O'" ... ..	1	—	C	KC4
	10-20 FS 5593	<b>SPINDLE</b> , pulley ... ..	1	S.96	—	KC4
1962	10 FS 3037	<b>SPRING</b> ... ..	1	—	C	KC4
	10-20 FS 5591ND	<b>TUBE</b> , distance, cable guard, 1/4" o/d x 22 SWG x 3/8" long	1	L.65	LM	KC4
		Attachments for 10-20 FS 5591ND, Tube:—				
	10-20 FS 17941	Bolt, 2 BA (Make from Part No. A25/5C, Ref. No. 28D/9133013)	1	—	—	KC4
28M/10288	AGS.2001/C/1	Nut, 2 BA ... ..	1	—	C	
28W/9419402	SP.13/C	Washer ... ..	1	—	C	
	—	<b>LEVER</b> , cam, operating, group ... ..	2	—	—	
28D/1212208	A57/8E	<b>BOLT</b> , 1/2" BSF ... ..	1	—	C	
7098	10-20 FS 8827A	<b>LEVER</b> , assembly ... ..	1	—	C	KC3
		Spares for:—				
	10-20 FS 8859	<b>SPACER</b> ... ..	2	S.96	—	KC3
28M/1011467	A27/ES	<b>NUT</b> , 1/2" BSF ... ..	1	—	C	
28P/9527619	SP.90/C7	<b>PIN</b> , split (SP.9/C8) ... ..	1	—	C	
28W/9418920	SP.10/E	<b>WASHER</b> (Port lever only) ... ..	1	—	C	
7190	DHS.781/13/16	<b>WASHER</b> (Starboard lever only) ... ..	1	—	C	KC3
	10-20 FS 20459A	<b>MECHANISM</b> , canopy jettison, assembly (Mod. 878)	1	—	—	KC2
7106	10-20 FS 9265	<b>BLOCK</b> , forward pulley ... ..	1	—	C	KC2
		Attachments for 10-20 FS 9265, Block:—				
3411	A25/1C/DHS.514/D	Bolt, 2 BA (Alternative S21/A25/1C) ... ..	2	—	C	KC2
28W/9419454	SP.10/C	Washer ... ..	2	—	C	
	7109	<b>BLOCK</b> , impact ... ..	1	—	C	KC2
	10-20 FS 9343	<b>BRACKET</b> , aft pulleys, support ... ..	1	S.514	LM	KC2
	—	<b>BRACKET</b> , cable anchor, group ... ..	1	—	—	
17183	10-20 FS 17499	<b>BRACKET</b> , anchor (Mod. 878) ... ..	1	—	C	KC2
28P/7002435	SP.4Y/A3	<b>PIN</b> , shackle ... ..	1	—	C	
28P/9710567	SP.90/C4	<b>PIN</b> , split, trapping cable (SP.9/C5) ... ..	1	—	C	
28P/9527619	SP.90/C7	<b>PIN</b> , split (SP.9/C8) ... ..	1	—	C	
28W/9419401	SP.10/B	<b>WASHER</b> ... ..	1	—	C	
	10-20 FS 12541	<b>BRACKET</b> , return spring rod anchor, 16 SWG	1	S.514	LM	KC2
	10-20 FS 10681	<b>BUSH</b> , locking lever contact ... ..	2	S.92	LM	KC2
	10-20 FS 17505A	<b>CABLE</b> , canopy jettison mechanism, assembly (Mod. 878)	1	—	—	KC2
	17187	<b>CABLE</b> , jettison, assembly ... ..	1	—	P	KC4
	17188	<b>CABLE</b> , jettison, sub-assembly ... ..	1	—	C	KC4
	17189	<b>LINK</b> ... ..	1	—	C	KC4
28M/1006504	A27/BT	<b>NUT</b> , 4 BA, R.H., tension rod ... ..	1	—	C	
28M/13141	A27/BTL	<b>NUT</b> , 4 BA, L.H., tension rod ... ..	1	—	C	
17190	10-20 FS 17519A	<b>PLUNGER</b> , handle, assembly ... ..	1	—	C	KC4
28U/15097	SP.35/B	<b>ROD</b> , tension ... ..	1	—	C	
6378	DHS.373/4	<b>TUBING</b> , rubber, kerosene resistant, 3"-5 long	QR	—	C	KC4

**FUSELAGE**  
**CANOPY JETTISON MECHANISM**

Ref. No.	Part No.	Description	No. off						Material Specification	Class of Store or L.M.	Plate No.
			1	2	3	4	5	6			
16874	10-20 FS 17645A	<b>HANDLE</b> , external, canopy jettison, assembly (Mod. 913) Spares for :—							—	—	KC4
7117	10-20 FS 1305A	<b>HANDLE</b> , assembly ... ..							—	C	KC4
28M/1010997	A24/CT	<b>NUT</b> , 2 BA, lock, external jettison handle ...							—	C	
7099	10-20 FS 9353	<b>CABLE</b> , re-cocking, assembly ... .. Attachments for 10-20 FS 9353, Cable :—							—	C	KC2
28M/5808573	A27/CS	Nut, 2 BA ... ..							—	C	
28P/9527619	SP.90/C7	Pin, split (SP.9/C8) ... ..							—	C	
28W/9419454	SP.10/C	Washer ... ..							—	C	
28D/1214311	A25/17C	<b>GUARD</b> , cable, forward pulley block, group ...							—	—	
17248	DHS.419/1/C/1"-375	<b>BOLT</b> , 2 BA ... ..							—	C	
17249	DHS.419/1/C/1"-25	<b>BUSH</b> , distance ... ..							—	C	KC2
28M/5808573	A27/CS	<b>BUSH</b> , distance ... ..							—	C	KC2
28P/9527619	SP.90/C7	<b>NUT</b> , 2 BA ... ..							—	C	
28W/9419454	SP.10/C	<b>PIN</b> , split (SP.9/C8) ... ..							—	C	
7112	10-20 FS 9267	<b>WASHER</b> ... ..							—	C	
7105	10-20 FS 9945	<b>LEVER</b> , locking ... ..							—	C	KC2
		<b>LEVER</b> , micro-switch... ..							—	C	KC2
		Attachments for 10-20 FS 9945, Lever :— Pin, hinge (see micro switch bracket assembly on base plate)							—	—	
	10-20 FS 8829	<b>LINK</b> , compression ... ..							L.64	—	KC2
		Attachments for 10-20 FS 8829, Link :—									
28N/2001666	AGS.2031/1	Circlip ... ..							—	C	
7101	10-20 FS 8821	Collar, half ... ..							—	C	KC2
7102	10-20 FS 8819	Pin, hinge ... ..							—	C	KC2
	10-20 FS 10413A	<b>LINK</b> , tension, assembly ... ..							—	—	KC2
		Spares for :—									
	10-20 FS 10411	<b>PLATE</b> , stop, 14 SWG ... ..							S.514	—	KC2
		Attachments for 10-20 FS 10413A, Link :—									
28N/2001666	AGS.2031/1	Circlip ... ..							—	C	
7101	10-20 FS 8821	Collar, half ... ..							—	C	KC2
7110	10-20 FS 8813	Pin, hinge ... ..							—	C	KC2
	10-20 FS 8817	<b>PIN</b> , cable guard, through tension link hinge pin							—	C	KC2
	10-20 FS 9233A	<b>PLATE</b> , base, assembly ... ..							—	—	KC2
		Spares for :—									
	10-20 FS 9929A	<b>BRACKET</b> , micro-switch, assembly ... ..							—	—	KC2
	10-20 FS 10039ND	<b>BRACKET</b> , bare, 16 SWG ... ..							L.72	LM	KC2
	10-20 FS 9937ND	<b>PIN</b> , micro-switch lever hinge ... ..							S.96	—	KC2
28P/9527619	SP.90/C7	<b>PIN</b> , split, hinge pin retaining (SP.9/CB) ...							—	C	
	10-20 FS 9935ND	<b>PLATE</b> , hinge (Make from standard section J.746)							—	—	KC2
17186	10-20 FS 17497	<b>PLATE</b> , guard, aft pulley (Mod. 878) ... ..							—	C	KC2
		Attachments for 10-20 FS 17497, Plate :—									
28D/9133013	A25/5C	Bolt, 2 BA ... ..							—	C	
28D/9709461	AS.1242/3C	Bolt, 2 BA ... ..							—	C	
28M/9403520	A27/CP	Nut, 2 BA ... ..							—	C	
28W/9419402	SP.13/C	Washer ... ..							—	C	

**FUSELAGE**  
**CANOPY JETTISON MECHANISM**

Ref. No.	Part No.	Description	No. off	Material Specification	Class of Store or L.M.	Plate No.
	10-20 FS 9351	<b>PLATE</b> , guard, centre pulley, on spring guide rod	1	S.514	LM	KC2
28M/10288	AGS.2001/C/1	Attachments for 10-20 FS 9351, Plate :- Nut, 2 BA	1	—	C	
	10-20 FS 8815	<b>PLATE</b> , locking, cable guard pins ...	1	L.64	LM	KC2
28P/9527619	SP.90/C7	Attachments for 10-20 FS 8815, Plate :- Pin, split (SP.9/C8)	1	—	C	
7116	10-20 FS 9251A	<b>PLUNGER</b> , spring, assembly	1	—	C	KC2
		Spares for :-				
	10-20 FS 9257	<b>SPRING</b>	1	DTD.215	—	KC2
28R/13502	AS.111	<b>PULLEY</b>	4	—	C	KC2
		Attachments for AS.111, Pulley :-				
28D/1011242	A25/7E	Bolt, 1/4" BSF, aft pulley	1	—	C	
28D/12571	A25/21E	Bolt, 1/4" BSF, centre pulley	1	—	C	
28D/13046	A25/19E	Bolt, 1/4" BSF, forward pulley	1	—	C	
17250	DHS.419/2/E/6	Bush, distance, aft pulley (Mod. 878)	1	—	C	KC2
28M/1011467	A27/ES	Nut, 1/4" BSF	1	—	C	
28P/9527619	SP.90/C7	Pin, split (SP.9/C8)	1	—	C	
28W/9418920	SP.10/E	Washer, centre, forward and aft pulleys	1	—	C	
28W/9418921	SP.13/E	Washer, forward pulley	1	—	C	
28W/9419487	SP.16/E	Washer, forward and aft pulleys	1	—	C	
19682	10-20 FS 9241A	<b>PULLEY</b> , manually operated cable, assembly	1	—	C	KC2
	DHS.419/2/C/312	<b>BUSH</b>	1	DTD.197	—	KC2
8212	10-20 FS 12889	<b>GUARD</b> , cable	1	—	C	KC2
		Attachments for 10-20 FS 12889, Guard :-				
28D/1007285	AS.1242/1B	Bolt, 4 BA	2	—	C	
28M/10327	AGS.2002/B/1	Nut, 4 BA	2	—	C	
	10-20 FS 9243	<b>PLATE</b> , guide	1	DTD.363	—	KC2
	10-20 FS 9245	<b>PLATE</b> , locating	1	L.72	—	KC2
28R/13502	AS.111	<b>PULLEY</b>	1	—	C	
	10-20 FS 17523A	<b>PULLEY</b> , universal, assembly (Mod. 878)	1	—	—	KC2
	10-20 FS 17447	<b>BRACKET</b> , mounting, pulley	1	—	LM	KC2
		Attachments for 10-20 FS 17447, Bracket :-				
28D/1008149	A25/2B	Bolt, 4 BA	4	—	C	
28M/1006504	A27/BT	Nut, 4 BA	4	—	C	
28W/9419401	SP.10/B	Washer	4	—	C	
	10-20 FS 17445	<b>PLATE</b> , mounting, pulley bracket, 12 SWG	1	L.72	LM	KC2
		Attachments for 10-20 FS 17445, Plate :-				
28D/1011242	A25/7E	Bolt, 1/4" BSF	2	—	C	
17247	DHS.419/2/E/416	Bush, distance	1	—	C	KC2
28M/1011467	A27/ES	Nut, 1/4" BSF	2	—	C	
28P/9527619	SP.90/C7	Pin, split (SP.9/C8)	2	—	C	
28W/9418920	SP.10/E	Washer	2	—	C	
28W/9419487	SP.16/E	Washer	1	—	C	
		<b>PULLEY</b> and guard, group	1	—	—	
28D/1008145	A25/6E	<b>BOLT</b> , 1/4" BSF	1	—	C	
28N/1007951	AGS.2031/2	<b>CIRCLIP</b> , external, 1/2" dia. (Seeger Type)	1	—	C	
	10-20 FS 17531	<b>GUARD</b> , pulley, 20 SWG	1	L.73	LM	KC2
28M/1011467	A27/ES	<b>NUT</b> , 1/4" BSF	1	—	C	
28P/9527619	SP.90/C7	<b>PIN</b> , split (SP.9/C8)	1	—	C	
17185	10-20 FS 17527	<b>PULLEY</b>	1	—	C	KC2
17184	10-20 FS 17517	<b>SPINDLE</b>	1	—	C	KC2
28W/9418920	SP.10/E	<b>WASHER</b> (Fit under nut)	1	—	C	
28W/9994217	SP.18/E	<b>WASHER</b> (Fit between bracket and pulley)	1	—	C	

## FUSELAGE

## CANOPY JETTISON MECHANISM

Ref. No.	Part No.	Description	No. off						Material Specification	Class of Store or L/M	Plate No.
			1	2	3	4	5	6			
19303	10-20 FS 8799A	<b>ROD</b> , connection, cam lever and links ... ..						2	—	C	KC1 KC2
		Spares for :—									
28N/13511	HOFFMANN CJ.1	<b>JOINT</b> , self aligning ... ..						2	—	C	KC2
		Attachments for 10-20 FS 8799A, Rod :—									
28D/1011244	A25/9E	Bolt, $\frac{1}{4}$ " BSF ... ..						1	—	C	
7104	10-20 FS 8811	Bush, distance, connection rod ... ..						1	—	C	KC2
7103	10-20 FS 9259	Bush, distance, tapped, $\frac{1}{4}$ " BSF ... ..						1	—	C	KC2
28P/9527619	SP.90/C7	Pin, split (SP.9/C8) ... ..						1	—	C	
7115	10-20 FS 9337	<b>ROD</b> , guide, cable return spring ... ..						1	—	C	KC2
		Attachments for 10-20 FS 9337, Rod :—									
	10-20 FS 9347	Clip ... ..						1	S.514	LM	KC2
28M/1006473	A27/CT	Nut, 2 BA ... ..						1	—	C	
28W/9419454	SP.10/C	Washer ... ..						1	—	C	
7114	10-20 FS 9339	<b>SPRING</b> , cable return ... ..						1	—	C	KC2
7108	10-20 FS 9269	<b>SPRING</b> , lock ... ..						2	—	C	KC2
	MARTIN BAKER C/MBEU/651UW	<b>VALVE</b> , by-pass, and secondary breech, assembly (Mod. 1547)						1	—	P	KC2
		Attachments for C/MBEU/651UW, Valve :—									
28D/7002440	A25/18E	Bolt, $\frac{1}{4}$ " BSF ... ..						3	—	C	
28M/1011467	A27/ES	Nut, $\frac{1}{4}$ " BSF ... ..						3	—	C	
28P/9527619	SP.90/C7	Pin, split (SP.9/C8) ... ..						3	—	C	
28W/9418920	SP.10/E	Washer ... ..						3	—	C	
7113	10-20 FS 9341	Washer, re-cocking ... ..						1	—	C	KC2
		Attachments for 10-20 FS 9341, Washer :—									
28M/9129449	A27/LS	Bolt, $\frac{7}{16}$ " BSF ... ..						1	—	C	
28P/19234	SP.90/EB	Pin, split (SP.9/E10) ... ..						1	—	C	
		Attachments for 10-20 FS 20459A, Mechanism :—									
28D/9133012	A25/3C	Bolt, 2 BA ... ..						6	—	C	
28D/9709461	AS.1242/3C	Bolt, 2 BA ... ..						2	—	C	
28M/10288	AGS.2001/C/1	Nut, 2 BA ... ..						8	—	C	
28W/9419454	SP.10/C	Washer ... ..						8	—	C	
17854	10-20 FS 20823A/ND	<b>MECHANISM</b> , canopy jettison control, at top of Pilot's seat (less canopy breech back- plate, mounting brackets and quick release pins), assembly (Mod. 1106)						1	—	P	KC3
		<b>ARM</b> , control, group ... ..						1	—	—	
13817	10-20 FS 15649A	<b>ARM</b> , control (Mod. 260) ... ..						1	—	C	KC3
		Spares for :—									
	10-20 FS 15653ND	<b>SECTION</b> , "Burley Rubber," $\frac{1}{8}$ " dia. x ".05 slot x 9"-45 long						QR	—	LM	KC3
10543	10-20 FS 12607	<b>BUSH</b> ... ..						1	—	C	KC3
	10-20 FS 12871ND	<b>PIN</b> , seat firing arm restraining (Make from Part No. SP.4Y/B25, Ref. No. 28P/1027)						1	—	LM	KC3
		Attachments for 10-20 FS 12871ND, Pin :—									
28P/9527619	SP.90/C7	Pin, split (SP.9/C8) ... ..						1	—	C	
28W/9419402	SP.13/C	Washer ... ..						1	—	C	

**FUSELAGE**  
**CANOPY JETTISON MECHANISM**

Ref. No.	Part No.	Description	No. off	Material Specification	Class of Store or L.M	Plate No.
13816	10-20 FS 15603	<b>ARM</b> , seat firing (Mod. 260) ... ..	1	—	C	KC3
28D/1212644	A25/40G	<b>BOLT</b> , control arm and firing levers pivot ... ..	1	—	C	
28M/1011470	A27/GT	Attachments for A25/40G, Bolt :—				
28VV/9419455	SP.10/G	Nut, $\frac{3}{8}$ " BSF ... ..	1	—	C	
		Washer ... ..	1	—	C	
		<b>LEVER</b> , canopy gun firing, group ... ..	1	—	—	
17295	10-20 FS 20719	<b>LEVER</b> , canopy gun firing (Mod. 1138) ... ..	1	—	C	KC3
10540	10-20 FS 12603	<b>LINK</b> , trap ... ..	1	—	C	
		Attachments for 10-20 FS 12503, Link :—				
28P/814	SP.4Y/A4	Pin, shackle ... ..	1	—	C	
28P/9527619	SP.90/C7	Pin, split (SP.9/C8) ... ..	1	—	C	
10541	10-20 FS 12605	<b>SPRING</b> , trap ... ..	1	—	C	KC3
		<b>LEVER</b> , manual jettison firing, group ... ..	1	—	—	
15039	10-20 FS 16815	<b>LEVER</b> , manual jettison firing (Mod. 662) ... ..	1	—	C	KC3
10540	10-20 FS 12603	<b>LINK</b> , trap ... ..	1	—	C	
		Attachments for 10-20 FS 12603, Link :—				
28P/814	SP.4Y/A4	Pin, shackle ... ..	1	—	C	
28P/9527619	SP.90/C7	Pin, split (SP.9/C8) ... ..	1	—	C	
10541	10-20 FS 12605	<b>SPRING</b> , trap ... ..	1	—	C	KC3
	10-20 FS 15599A	<b>LINK</b> , canopy breech sear, assembly (Mod. 260) ... ..	1	S.92	LM	
		Attachments for 10-20 FS 15599A, Link :—				
28P/815	SP.4Y/A5	Pin, shackle ... ..	1	—	C	
28P/9527619	SP.90/C7	Pin, split (SP.9/C8) ... ..	1	—	C	
20700	10-20 FS 18679A	<b>LINK</b> , seat sear and seat firing arm, assembly (Mod. 1566) ... ..	1	—	C	KC3
		Attachments for 10-20 FS 18679A, Link :—				
28P/814	SP.4Y/A4	Pin, shackle ... ..	1	—	C	
28P/9527619	SP.90/C7	Pin, split (SP.9/C8) ... ..	1	—	C	
	10-20 FS 12873A	<b>PLATE</b> , mounting, Port, assembly ... ..	1	—	—	KC3
	10-20 FS 13125ND	<b>PLATE</b> , mounting, bare ... ..	1	S.511	LM	
17293	10-20 FS 17915	<b>POST</b> , spring (Mod. 1106) ... ..	1	—	C	KC3
		Attachments for 10-20 FS 17915, Post :—				
28M/5808573	A27/CS	Nut, 2 BA ... ..	1	—	C	
28P/9527619	SP.90/C7	Pin, split (SP.9/C8) ... ..	1	—	C	
28VV/9419402	SP.13/C	Washer ... ..	1	—	C	
		Attachments for 10-20 FS 12873A, Plate :—				
28D/1214091	AS.1242/2C	Bolt, 2 BA ... ..	4	—	C	
28M/1006473	A27/CT	Nut, 2 BA ... ..	4	—	C	
28VV/9419402	SP.13/C	Washer ... ..	4	—	C	
	10-20 FS 16263	<b>PLATE</b> , mounting, Starboard (Mod. 260) ... ..	1	—	—	KC3
		Attachments for 10-20 FS 16263, Plate :—				
28D/1007975	AS.1242/1C	Bolt, 2 BA ... ..	2	—	C	
28D/1214091	AS.1242/2C	Bolt, 2 BA ... ..	1	—	C	
28M/1006473	A27/CT	Nut, 2 BA ... ..	1	—	C	
28VV/9419402	SP.13/C	Washer ... ..	3	—	C	

**FUSELAGE  
CANOPY JETTISON MECHANISM**

Ref. No.	Part No.	Description	No. off	Material Specification	Class of Store or LM	Place No.
10545	10-20 FS 12869	<b>SPRING</b> , control arm ... ..	1	—	C	KC3
28M/1006473	A27/CT	<b>NUT</b> , 2 BA, locking canopy jettison cocking cable	1	—	C	
11490	10-20 F 2527A/ND	<b>PIPE</b> , canopy jettison gun connection, Port, assembly	1	—	C	KC1
15680	10-20 F 3825A/ND	<b>PIPE</b> , canopy jettison gun connection, Starboard, assembly (Mod. 439)	1	—	C	KC1
13810	10-20 F 3211A/ND	<b>PIPE</b> , valve connection, assembly ... ..	1	—	C	KC1
28R/13498	AS.1151	<b>PULLEY</b> , shrouded, Pilot's jettison control cable, at front bulkhead	1	—	C	
		Attachments for AS.1151, Pulley :—				
28D/1011245	A25/10E	Bolt, 1/2" BSF ... ..	1	—	C	
28M/1011467	A27/ES	Nut, 1/2" BSF ... ..	1	—	C	
28P/9527619	SP.90/C7	Pin, split (SP.9/C8) ... ..	1	—	C	
28VV/9418921	SP.13/E	Washer ... ..	1	—	C	
	—	<b>UNIT</b> , firing, canopy jettison, group (Mod. 1546) (Martin Baker Mod. CJ/70)	1	—	—	
	MARTIN BAKER MBEU/6573	<b>PLATE</b> , back, c/w quick release pins ... ..	1	—	—	
	MARTIN BAKER MBCJ/1330	<b>UNIT</b> , firing ... ..	1	—	—	

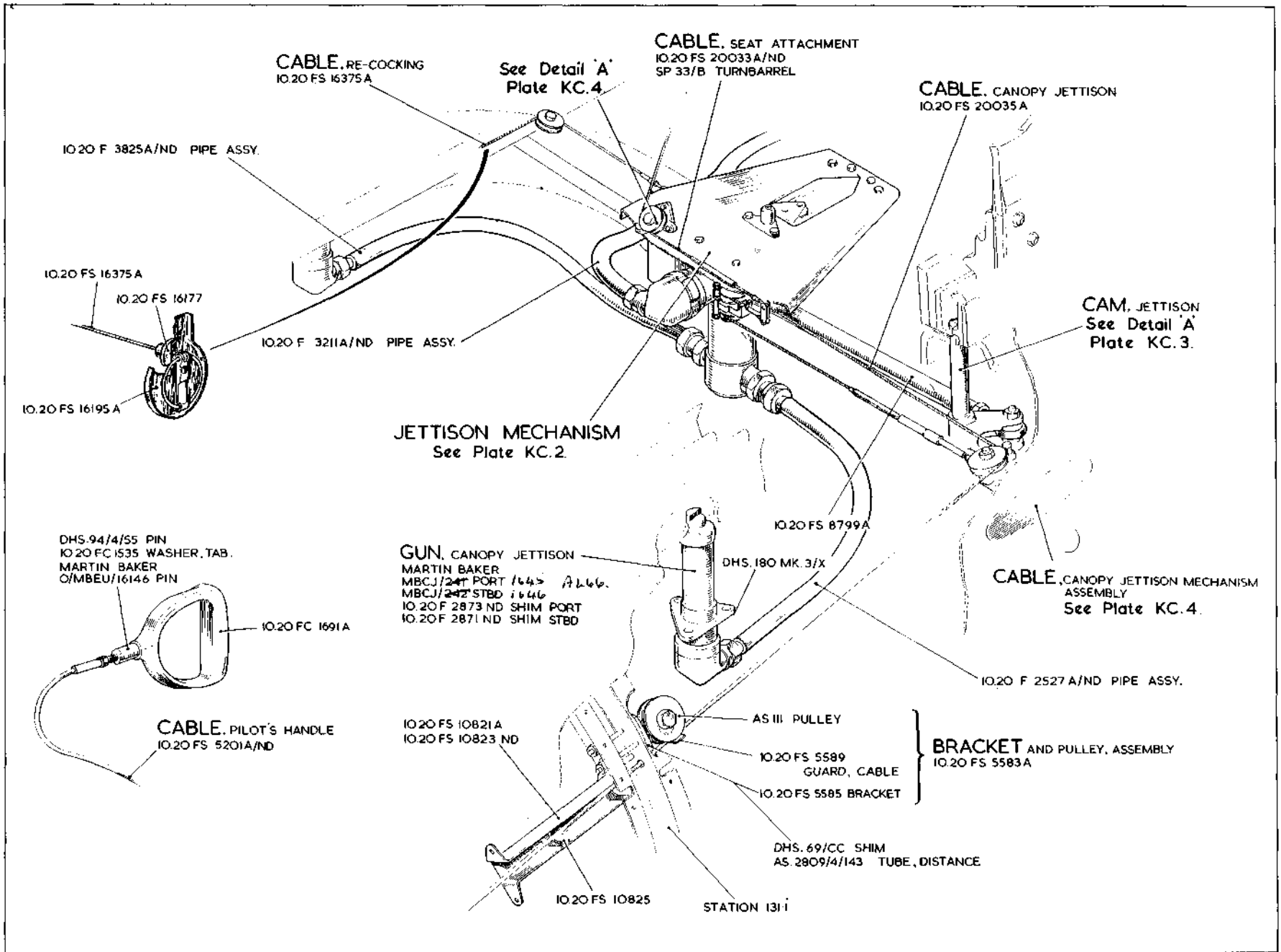
KC.1

FUSELAGE

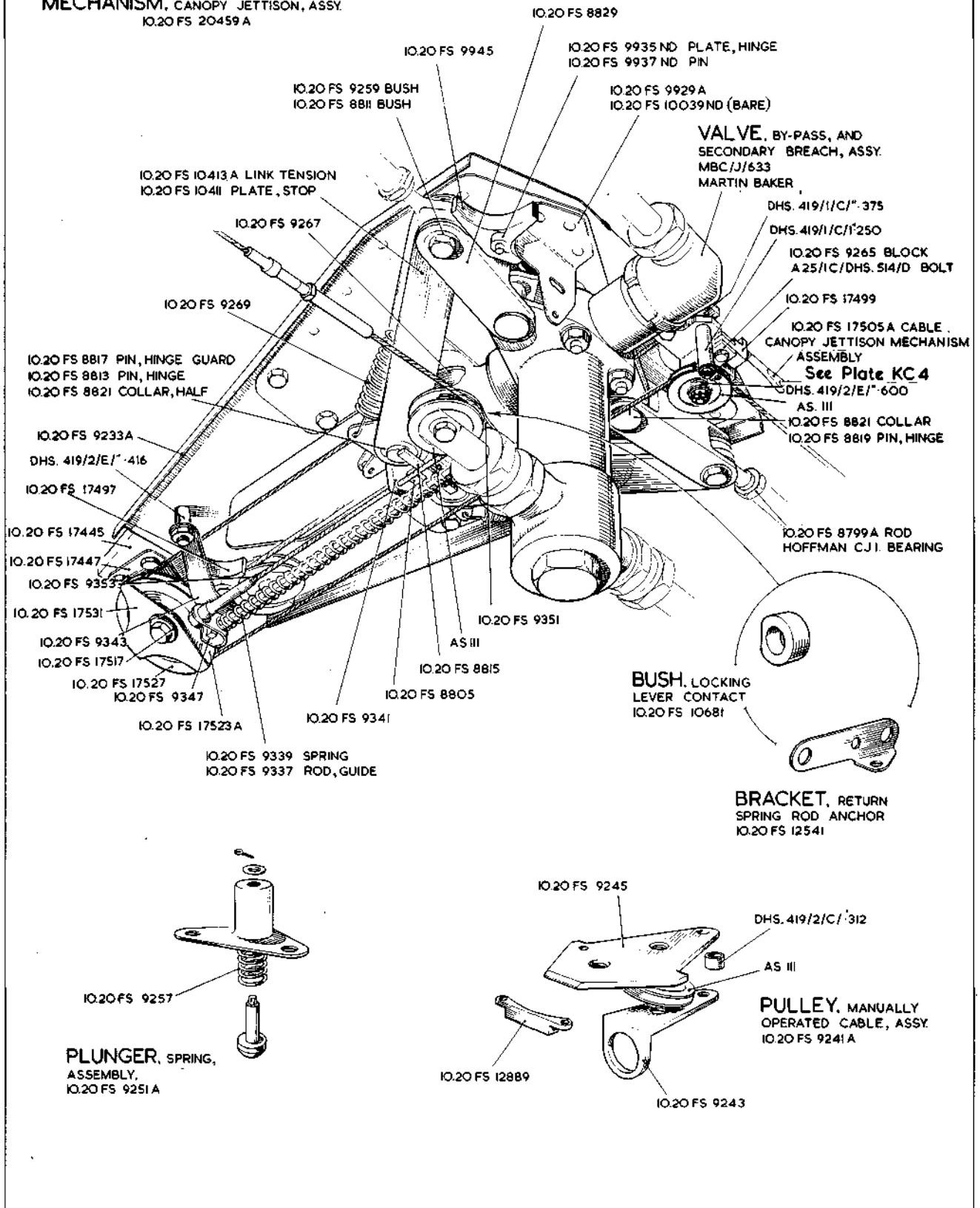
KC.1  
[A.69]

CANOPY JETTISON MECHANISM

RESTRICTED



**MECHANISM, CANOPY JETTISON, ASSY.**  
IO.20 FS 20459 A



KC.2

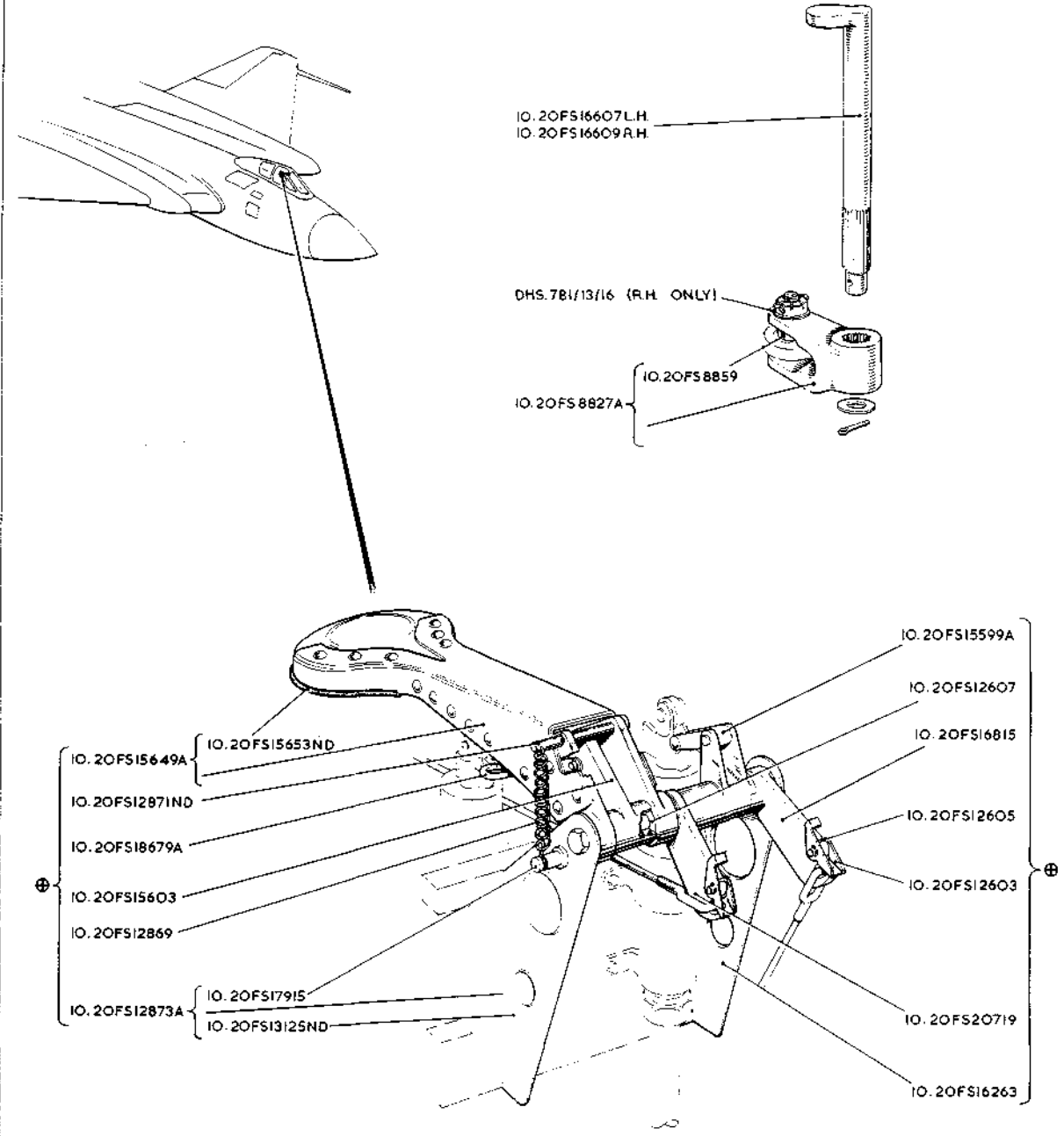
**FUSELAGE**

KC.2

**CANOPY JETTISON MECHANISM**

[A.L.34]

Detail A (See Plate KC.1)  
CAM. JETTISON



ITEMS MARKED THUS ⊕  
PART OF ASSEMBLY IO.20FS20823A/ND (MOD. 1106)

KC.3

# FUSELAGE

KC.3

## CANOPY JETTISON MECHANISM

[A.L.72]

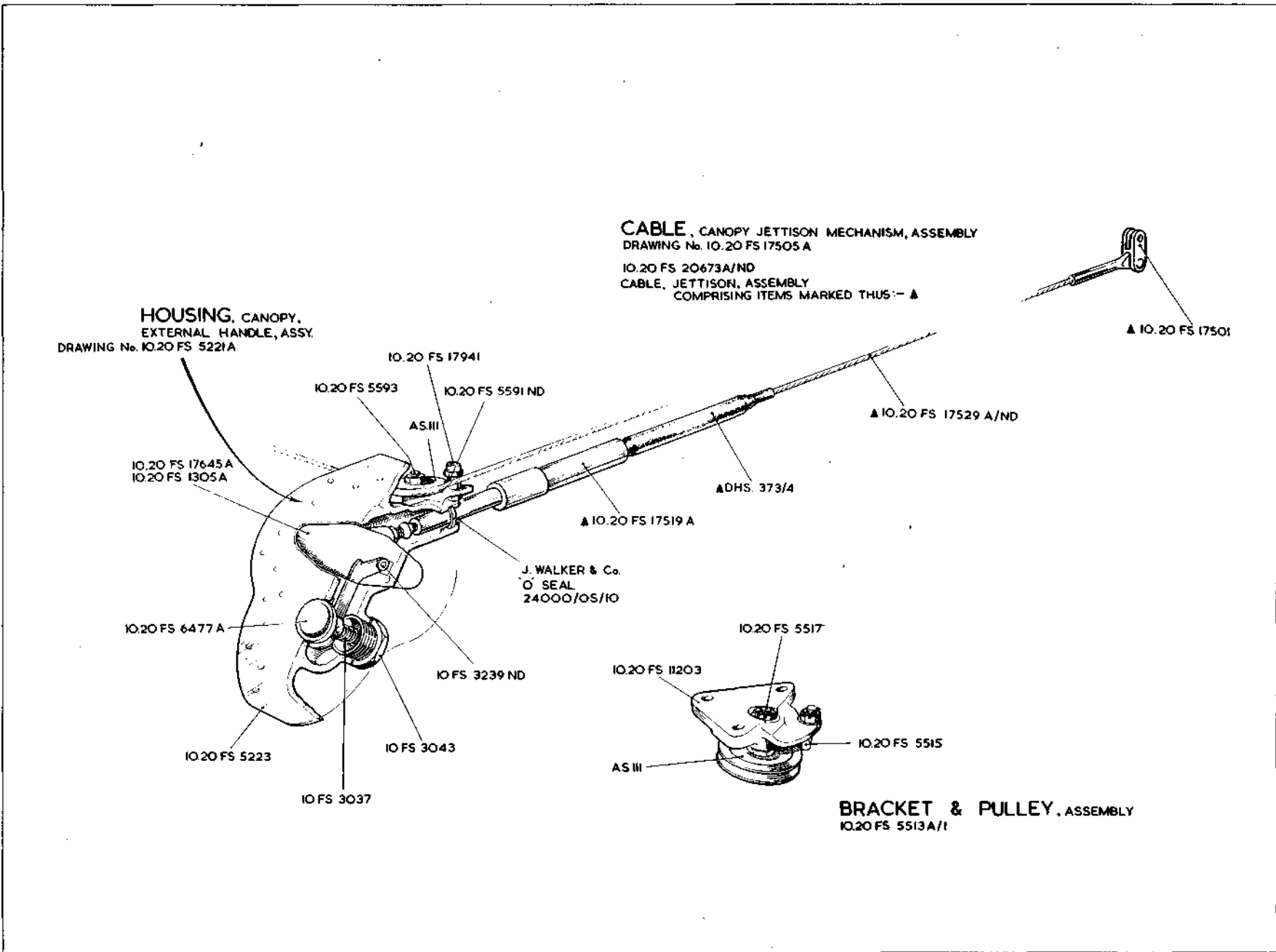
KC.4

CANOPY JETTISON MECHANISM

FUSELAGE

RESTRICTED

KC.4  
[A.L. 34]



This file was downloaded  
from the RTFM Library.  
Link: [www.scottbouch.com/rtfm](http://www.scottbouch.com/rtfm)

Please see site for usage terms,  
and more aircraft documents.

