

FUSELAGE

FUSELAGE ACCESS DOORS

Ref. No.	Part No.	Description	No. off	Material Specification	Class of Score or L.M.	Plate No.
	—	DOORS, FUSELAGE ACCESS, GROUP (Drg. No. 10-20 FS 12967)	1	—	—	
9176	10-20 FS 13055	BRACKET , centre door fastener strut hinge	1	—	C	KK1
		Attachments for 10-20 FS 13055, Bracket :—				
28D/9133012	A25/3C	Bolt, 2 BA	4	—	C	
28M/10288	AGS.2001/C/1	Nut, 2 BA	4	—	C	
28V/9419475	SP.15/C	Washer	4	—	C	
10805	10-20 FS 14409A	BRACKET & FASTENER , Port and Starboard doors, assembly	2	—	C	KK2
		Attachments for 10-20 FS 14409A, Bracket :—				
28D/1011238	A25/3E	Bolt, 1/2" BSF	2	—	C	
28M/1011475	A27/EP	Nut, 1/2" BSF	2	—	C	
28V/9418921	SP.13/E	Washer	2	—	C	
7	S.10-20 FS 9	DOOR , access, centre (Special spares assembly complete with attachments)	1	—	P	KK1
	10-20 FS 14499A/1	DOOR , access, centre, assembly (Mod. 232)	1	—	—	KK1
9181	10-20 FS 5415A	ARM , hinge, Port, assembly	1	—	P	KK1
9182	10-20 FS 5416A	ARM , hinge, Starboard, assembly	1	—	P	KK1
		Spares for :—				
28N/13511	HOFFMANN C1.1 AS.2808/9/009	JOINT , self aligning	1	—	C	
		TUBE , distance, 3/8" o/d x 17 SWG x 0"-090 long	1	T.45	LM	
		Attachments for 10-20 FS 5415A or 10-20 FS 5416A, Arm :—				
28D/9133013	A25/5C	Bolt, 2 BA	1	—	C	
28D/7002428	A25/6C	Bolt, 2 BA	2	—	C	
28M/5808573	A27/CS	Nut, 2 BA	3	—	C	
28P/9527619	SP.90/C7	Pin, split (SP.9/C8)	3	—	C	
28W/9419475	SP.15/C	Washer	3	—	C	
26FC/2036	DHS.69/CC	Washer, shim	3	—	C	KK1
9186	10-20 FS 6385A	BRACKET , support, hinge arm attachment bolts, assembly	2	—	C	KK1
9187	10-20 FS 7657A	BRACKET , support, hinge arm attachment bolts, Port, assembly	1	—	C	KK1
9188	10-20 FS 7658A	BRACKET , support, hinge arm attachment bolts, Starboard, assembly	1	—	C	KK1
28FP/9993392	ODDIE 212	CLIP , fastener (Mod. 232)	1	—	C	KK1
9183	10-20 FS 6407	FUNNEL , fastener strut locating	1	—	C	KK1
		Attachments for 10-20 FS 6407, Funnel :—				
28D/9133013	A25/5C	Bolt, 2 BA	4	—	C	
9184	10-20 FS 12785ND	Ring, packing	1	—	C	KK1
28V/9419475	SP.15/C	Washer	4	—	C	
28N/9511950	AS.1878/65	HINGE , 6"5 long (Mod. 232)	QR	—	C	KK1
		Attachments for AS.1878/65, Hinge :—				
28D/1007979	AS.1246/1B	Bolt, 4 BA	2	—	C	
28M/10287	AGS.2001/B1	Nut, 4 BA	2	—	C	
28V/9419465	SP.13/B	Washer	2	—	C	
12506	10-20 FS 15745	LABEL , self adhesive, " Locking pin rocket pack solenoid " (Mod. 232)	1	—	C	KK1
28FP/9157102	ODDIE 226	STUD , fastener, wing type (Mod. 232)	1	—	C	KK1
28FP/1004893	ODDIE 214	WASHER , fastener (Mod. 232)	1	—	C	KK1
		Attachments for 10-20 FS 14499A/1, Door :—				
28D/1011245	A25/10E	Bolt, 3/4" BSF	1	—	C	
28D/1011246	A25/11E	Bolt, 1/2" BSF	1	—	C	
9594	10-20 FS 5859	Bush	2	—	C	KK1
28M/10290	AGS.2001/E/1	Nut, 1/2" BSF	2	—	C	

FUSELAGE
FUSELAGE ACCESS DOORS

Ref. No.	Part No.	Description	No. off	Material Specification	Class of Store or L.M.	Plate No.
8	S.10-20 FS 10	DOOR , access. Port (Special spares assembly complete with attachments)	1	—	P	KK2
	10-20 FS 5413A	DOOR , access. assembly	1	—	—	KK2
9591	10-20 FS 5521A	ARM , aft hinge, assembly	1	—	P	KK2
9592	10-20 FS 11483A	ARM , forward hinge, assembly	1	—	P	KK2
		Spares for :—				
28N/13511	HOFFMANN C.J.1 AS.2808/9/009	JOINT , self aligning	1	—	C	KK2
		TUBE , distance, $\frac{3}{16}$ " o/d x 17 SWG x 0"-09 long	1	T.45	LM	
		Attachments for 10-20 FS 5521A or 10-20 FS 11483A, Arm :—				
28D/9133013	A25/5C	Bolt, 2 BA	3	—	C	
28M/5808573	A27/CS	Nut, 2 BA	3	—	C	
28P/9527619	SP.90/C7	Pin, split (SP.9/C8)	3	—	C	
28W/9419475	SP.15/C	Washer	3	—	C	
26FC/2036	DHS.69/CC	Washer, shim	3	—	C	KK2
	10-20 FS 7319A	BRACKET , aft hinge arm attachment bolt, support, assembly	1	—	—	KK2
	10-20 FS 7351ND	BRACKET , bare, 20 SWG	1	L.72	LM	KK2
	10-20 FS 7353ND	PLATE , washer, 6 SWG	1	L.72	LM	KK2
	10-20 FS 7091A	BRACKET , aft hinge arm attachment bolts support, assembly (For spares use 10-20 FS 16771A/ND)	1	—	—	KK2
14673	10-20 FS 16771A/ND	BRACKET , aft hinge arm attachment bolts support, assembly (Spares condition)	1	—	C	
	10-20 FS 7121A	BRACKET , forward hinge arm attachment bolt support, assembly	1	—	—	KK2
	10-20 FS 7355ND	BRACKET , bare, 20 SWG	1	L.72	LM	KK2
	10-20 FS 7357ND	PLATE , washer, 6 SWG	1	L.72	LM	KK2
9593	10-20 FS 7089A	BRACKET , forward hinge arm attachment bolts support, assembly	1	—	C	KK2
28FP/1219	DZUS TFD/6/135/S10	FASTENER	1	—	C	KK2
	—	FUNNEL , fastener strut locating, group ...	1	—	—	
	10-20 FS 7311ND	BLOCK , bearing, 0".75 x 1".10	1	LFS.21	LM	KK2
	10-20 FS 7313ND	BLOCK , bearing, 1".10 long	1	LFS.21	LM	KK2
	10-20 FS 7315ND	BLOCK , bearing, 1".10 long	1	LFS.21	LM	KK2
	10-20 FS 7317ND	BLOCK , bearing	1	LFS.21	LM	KK2
9588	10-20 FS 7127	BLOCK , spacing	1	—	C	KK2
28D/9133013	A25/5C	BOLT , 2 BA	1	—	C	
28D/1011019	A25/8C	BOLT , 2 BA	1	—	C	
28D/9140644	A25/9C	BOLT , 2 BA	1	—	C	
28D/9435710	A25/11C	BOLT , 2 BA	1	—	C	
9589	10-20 FS 7101	FUNNEL , fastener strut locating ...	1	—	C	KK2
28M/11957	AGS.2007/C/1	NUT , 2 BA, anchor	4	—	C	
9184	10-20 FS 12785ND	RING , packing, 3".7 o/d x 2".4 i/d x 0".10 thick	1	—	C	KK2
28W/9419475	SP.15/C	WASHER	4	—	C	
16593	10-20 FS 17695	PAD	1	—	C	KK2
	10-20 FS 7115ND	SEAL , rubber, at aft edge (Make from standard section J.1024, Ref. No. 26DV/9500)	1	—	LM	KK2
		Attachments for 10-20 FS 7115ND, Seal :—				
9587	10-20 FS 7117ND	Retainer, seal (Make from standard section J.1064)	1	—	C	KK2

FUSELAGE

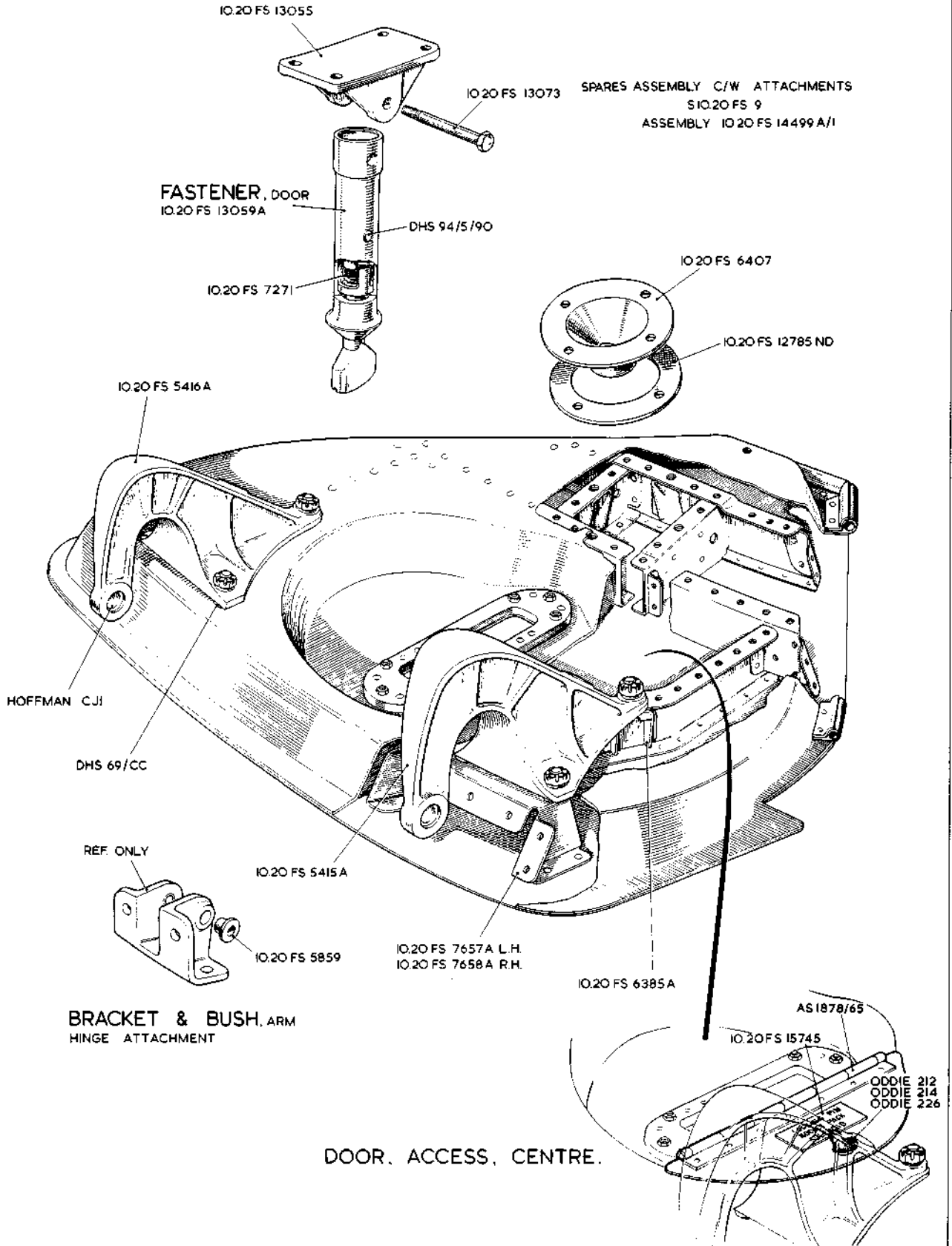
FUSELAGE ACCESS DOORS

Ref. No.	Part No.	Description	No. off	Material Specification	Class of Store or L.M	Plate No.
16576	10-20 FS 17343	WASHER , fastener retaining (Mod. 762) ...	1	—	C	
28D/1011245	A25/10E	Attachments for 10-20 FS 5413A, Door :—				
28D/1011246	A25/11E	Bolt, 1/2" BSF ...	1	—	C	
9594	10-20 FS 5859	Bolt, 1/2" BSF ...	1	—	C	
28M/10290	AGS.2001/E/1	Bush ...	2	DTD.197	C	KK2
		Nut, 1/2" BSF ...	2	—	C	
9	S.10-20 FS 16	DOOR , access, Starboard (Special spares assembly complete with attachments)	1	—	P	KK3
	10-20 FS 6693A	DOOR , access, assembly ...	1	—	—	KK3
9591	10-20 FS 5521A	ARM , aft hinge, assembly ...	1	—	P	KK3
9595	10-20 FS 11479A	ARM , forward hinge, assembly... Spares for :—	1	—	P	KK3
28N/13511	HOFFMANN C.J.1 AS.2808/9/009	JOINT , self aligning ...	1	—	C	KK3
		TUBE , distance, 1 1/8" o/d x 17 SWG x 0"09 long	1	T.45	LM	
		Attachments for 10-20 FS 5521A or 10-20 FS 11479A, Arm :—				
28D/9133012	A25/3C	Bolt, 2 BA ...	2	—	C	
28D/1200119	A25/4C	Bolt, 2 BA ...	1	—	C	
28M/13121	A27/CS	Nut, 2 BA ...	3	—	C	
28P/1007741	SP.9/C8	Pin, split ...	3	—	C	
28W/9419475	SP.15/C	Washer ...	3	—	C	
26FC/2036	DHS.69/CC	Washer, shim ...	3	—	C	KK3
	10-20 FS 7319A	BRACKET , aft hinge arm attachment bolts support, assembly	1	—	—	KK3
	10-20 FS 7351ND	BRACKET , bare, 20 SWG ...	1	L.72	LM	KK3
	10-20 FS 7353ND	PLATE , washer, 6 SWG ...	1	L.72	LM	KK3
	10-20 FS 7092A	BRACKET , aft hinge arm attachment bolts support, assembly (For spares use 10-20 FS 16772A/ND)	1	—	—	KK3
14674	10-20 FS 16772A/ND	BRACKET , aft hinge arm attachment bolts support, assembly (Spares condition)	1	—	C	
	10-20 FS 7601A	BRACKET , forward hinge arm attachment bolts support, assembly	1	—	—	KK3
	10-20 FS 7603ND	BRACKET , bare, 20 SWG ...	1	L.72	LM	KK3
	10-20 FS 7605ND	PLATE , washer, 6 SWG ...	1	L.72 or L.64	LM	KK3
	10-20 FS 7091A	BRACKET , forward hinge arm attachment bolts support, assembly (For spares use 10-20 FS 16771A/ND)	1	—	—	KK3
14673	10-20 FS 16771A/ND	BRACKET , forward hinge arm attachment bolts support, assembly (Spares condition)	1	—	C	
	10-20 FS 12883	DIAPHRAGM , fastener block ...	1	L.72	—	KK3
	10-20 FS 12909	DIAPHRAGM , fastener block ...	1	L.72	—	KK3
28FP/1219	DZUS TFD/6/135/S10	FASTENER ...	1	—	C	KK3
	—	FUNNEL , fastener strut locating, group ...	1	—	—	
	10-20 FS 7314ND	BLOCK , bearing, 1"-20 long ...	1	LFS.21 or LFS.23	LM	KK3
	10-20 FS 7581ND	BLOCK , bearing, 1"-20 long ...	1	LFS.21 or LFS.23	LM	KK3
	10-20 FS 7583ND	BLOCK , bearing ...	1	LFS.21 or LFS.23	LM	KK3
	10-20 FS 7587ND	BLOCK , bearing, 1"-20 long ...	1	LFS.21 or LFS.23	LM	KK3

**FUSELAGE
FUSELAGE ACCESS DOORS**

Ref. No.	Part No.	Description	No. off	Material Specification	Class of Store or L.M	Place No.
9596	10-20 FS 7128	BLOCK , spacing	1	LFS.21	C	KK3
28D/7002428	A25/6C	BOLT , 2 BA	1	—	C	
28D/1011019	A25/8C	BOLT , 2 BA	1	—	C	
28D/9140144	A25/9C	BOLT , 2 BA	1	—	C	
28D/9435710	A25/11C	BOLT , 2 BA	1	—	C	
9598	10-20-FS-7102	FUNNEL , fastener strut locating ...	1	L.64	C	KK3
28M/11957	AGS.2007/C/1	NUT , 2 BA, anchor	4	—	C	
9184	10-20 FS 12785ND	RING , packing, 3"·7 o/d × 2"·4 i/d × 0"·10 thick	1	LA.3	C	KK3
28W/9419475	SP.15/C	WASHER	4	—	C	
	10-20 FS 7116ND	SEAL , rubber, at aft edge (Make from standard section J.1024, Ref. No. 26DV/9500)	1	—	LM	KK3
		Attachments for 10-20 FS 7116ND, Seal :—				
9600	10-20 FS 7118ND	Retainer, seal (Make from standard section J.1064)	1	L.72	C	KK3
16570	10-20 FS 17343	WASHER , fastener retaining (Mod. 762) ...	1	—	C	KK3
		Attachments: for 10-20 FS 6693A, Door :—				
28D/1011245	A25/10E	Bolt, 1/4" BSF	1	—	C	
28D/1011246	A25/11E	Bolt, 1/4" BSF	1	—	C	
9594	10-20 FS 5859	Bush	2	DTD.197	C	KK2
28M/10290	AGS.2001/E/1	Nut, 1/4" BSF	2	—	C	
9177	10-20 FS 13059A	FASTENER , centre door, assembly	1	—	P	KK1
		Spares for :—				
26FC/6751	DHS.94/5/90	PIN , 3/8" dia., ground steel	1	S.96	C	KK1
9178	10-20 FS 7271	SPRING	1	DTD.215	C	KK1
		Attachments for 10-20 FS 13059A, Fastener :—				
9179	10-20 FS 13073	Bolt	1	S.96	C	KK1
28M/13121	A27/CS	Nut, 2 BA	1	—	C	
28P/1007741	SP.9/C8	Pin, split	1	—	C	
28W/9419404	SP.16/C	Washer	1	—	C	
10806	10-20 FS 7639A	STRUT , fastener, Port and Starboard doors, assembly	2	—	P	KK2
	10-20 FS 7265A/ND	FASTENER , assembly	1	—	—	KK2
10809	10-20 FS 7277	ATTACHMENT , fastener	1	S.96	C	KK2
10810	10-20 FS 7279	CAM , fastener	1	S.15	C	KK2
10807	10-20 FS 7275	FASTENER	1	S.14	C	KK2
10811	10-20 FS 9217ND	PIN , cam	1	S.80	C	KK2
10808	10-20 FS 7273	PLUG-END	1	S.96	C	KK2
9178	10-20 FS 7271	SPRING	1	DTD.215	C	KK2
		Attachments for 10-20 FS 7265A/ND, Fastener :—				
10812	DHS.94/6/90	Pin, ground steel, 3/8" dia.	2	S.96	C	KK2
10813	10-20 FS 7643A	PLUG-END , assembly	1	—	C	KK2
28N/13511	HOFFMANN CJ.1	JOINT , self aligning	1	—	C	KK2
	10-20 FS 7645ND	PLUG-END	1	L.64	—	KK2
		Attachments for 10-20 FS 7643A, Plug-end :—				
10812	DHS.94/6/90	Pin, ground steel, 3/8" dia.	2	S.96	C	KK2
	10-20 FS 9213ND	TUBE , 3/4" o/d × 22 SWG × 7"·22 long ...	1	T.45	LM	KK2
		Attachments for 10-20 FS 7639A, Strut :—				
28D/1011244	A25/9E	Bolt, 1/4" BSF	1	—	C	
10814	10-20 FS 5861	Bush	2	DTD.197	C	KK2
28M/7002430	AGS.2002/E/1	Nut, 1/4" BSF	1	—	C	

SEE TEXT FOR SPARES CONDITION
OF ITEMS MARKED THUS: *



KK.1

FUSELAGE

KK.1
[A.L.3]

FUSELAGE ACCESS DOORS

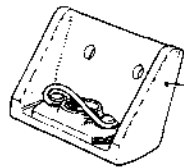
RESTRICTED

RESTRICTED

SEE TEXT FOR SPARES CONDITION
OF ITEMS MARKED THUS: *

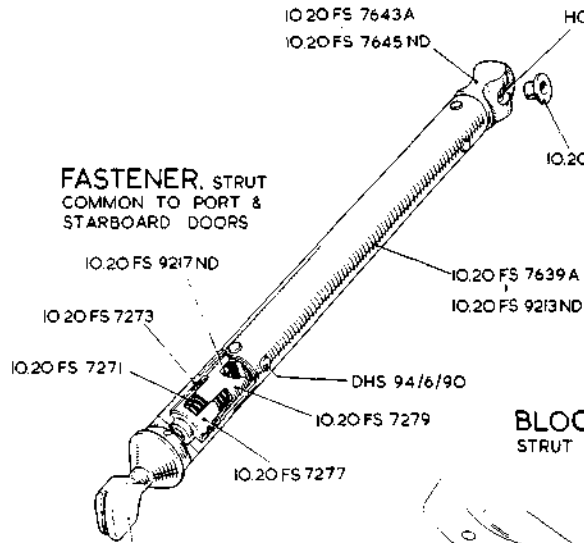
SPARES ASSEMBLY C/W ATTACHMENTS
S IO.20 FS 10
ASSEMBLY IO.20 FS 5413A

BRACKET & FASTENER

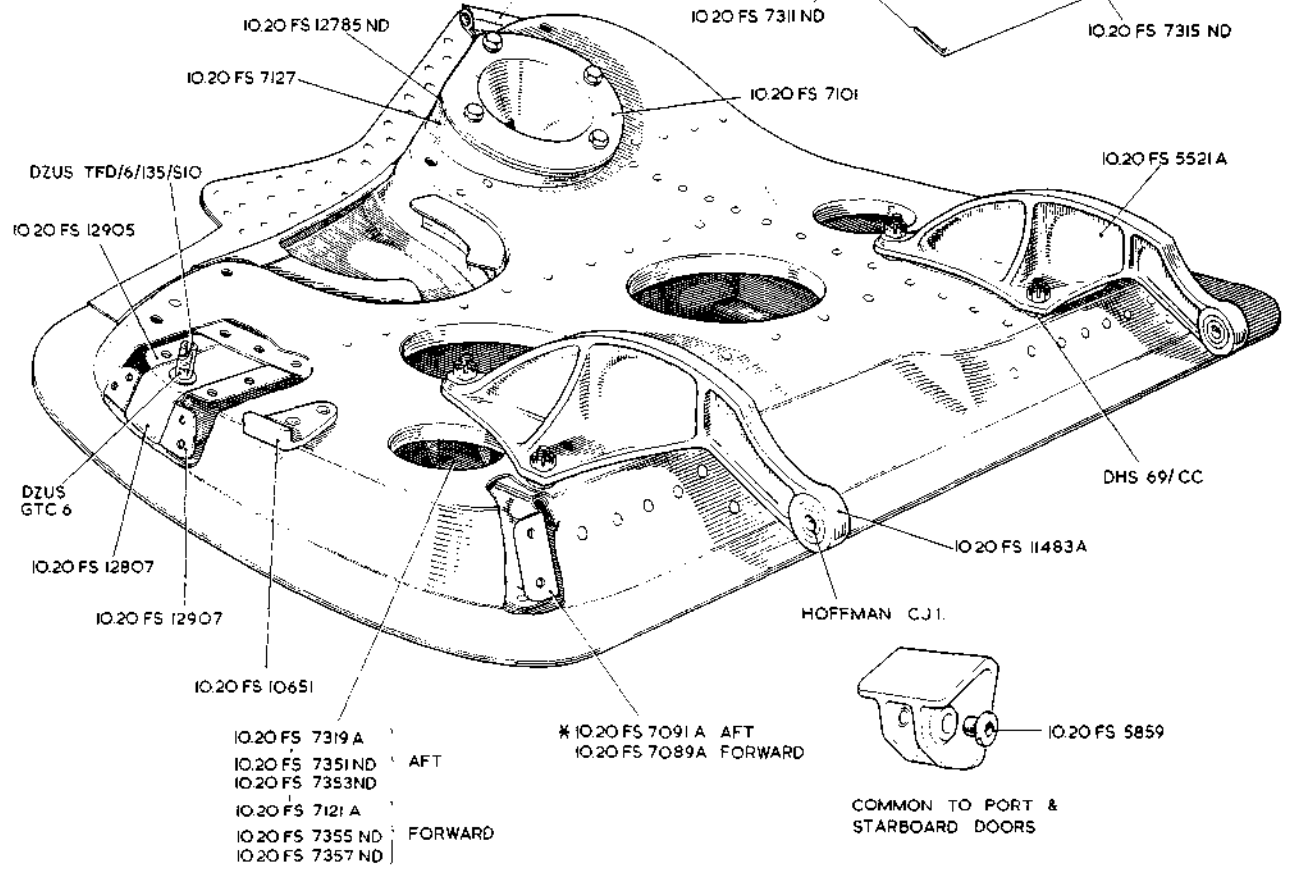
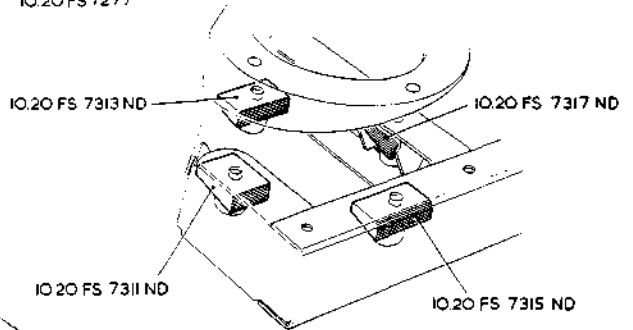


COMMON TO PORT & STD. DOORS

FASTENER, STRUT
COMMON TO PORT &
STARBOARD DOORS



BLOCKS, BEARING FASTENER
STRUT FUNNEL GROUP



DOOR, ACCESS, PORT.

KK.2

FUSELAGE

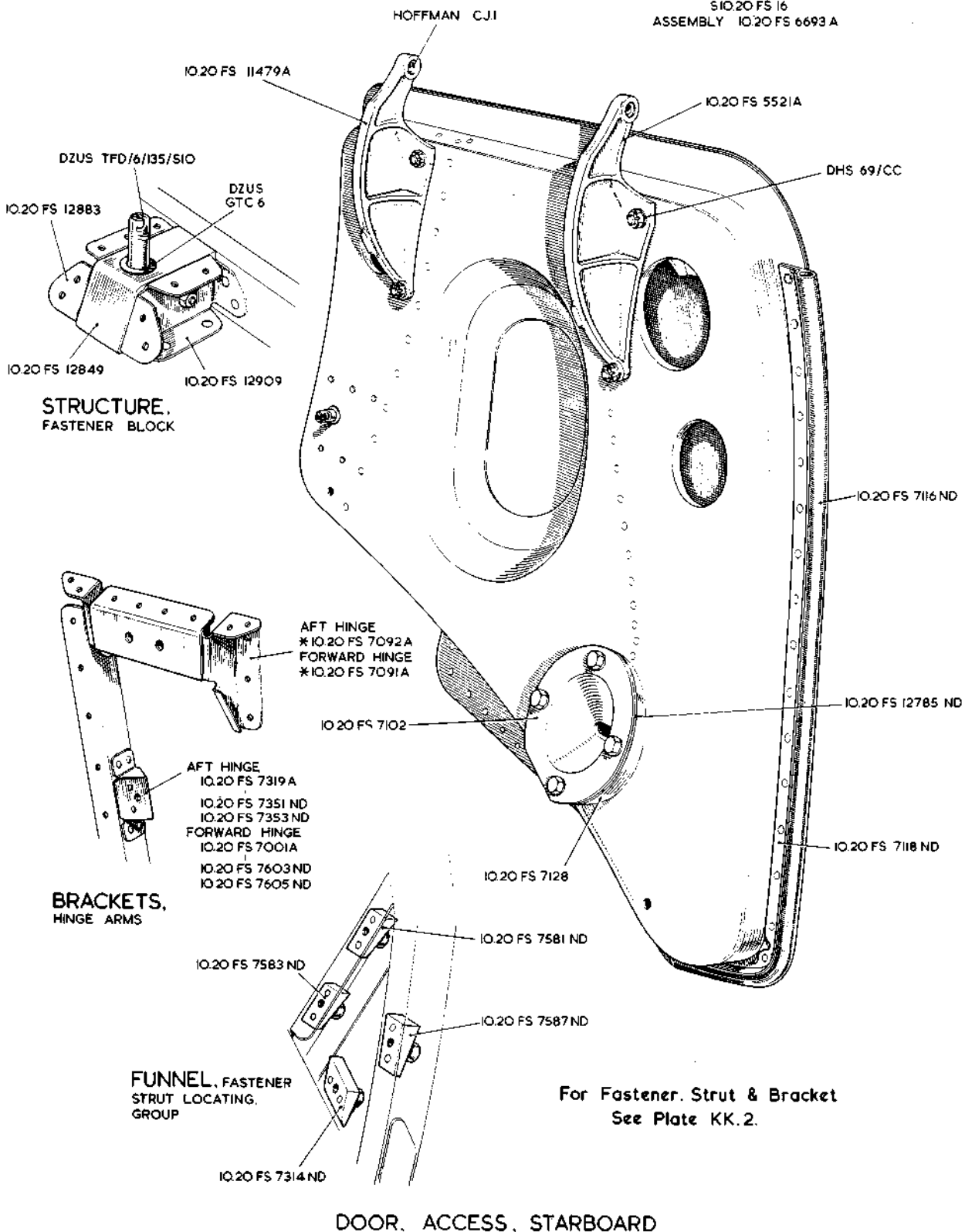
KK.2

FUSELAGE ACCESS DOORS

[A.L.91]

SEE TEXT FOR SPARES CONDITION
OF ITEMS MARKED THUS: - *

SPARES ASSEMBLY C/W ATTACHMENTS
SIO.20 FS 16
ASSEMBLY IO.20 FS 6693 A



This file was downloaded
from the RTFM Library.
Link: www.scottbouch.com/rtfm

Please see site for usage terms,
and more aircraft documents.

