

NOSE OPERATING MECHANISM

Ref. No.	Part No.	Description	No. off	Material Specification	Class of Store or L.M.	Plate No.
	—	<b>MECHANISM, NOSE OPERATING, GROUP ...</b>	1	—	—	
	—	<b>MECHANISM</b> , interlocking, group ... (Drg. No. 10-20 FS 6921)	1	—	—	KN2
9266	10-20 S 6757A	<b>BRACKET</b> , mounting, by-pass valve ... Attachments for 10-20 S 6757A, Bracket :—	1	—	C	KN2
28D/9133011	A25/2C	Bolt, 2 BA ...	2	—	C	
28M/10288	AGS.2001/C/1	Nut, 2 BA ...	2	—	C	
28VV/9419475	SP.15/C	Washer ...	2	—	C	
	—	<b>HYDRAULIC COMPONENTS</b> ... (See sub-section QQ)	—	—	—	
9270	10-20 FS 8957A	<b>LEVER</b> , bellcrank, assembly ... Spares for :—	1	—	P	KN2
9271	DHS.419/1/J/75	<b>BUSH</b> (See Repair Section PA) ... Attachments for 10-20 FS 8957A, Lever :—	1	—	C	KN2
9272	10-20 FS 8791	Bolt, spigot ...	1	—	C	KN2
28M/9512070	A27/EC	Nut, 1/2" BSF ...	1	—	C	
28P/9527619	SP.90/C7	Pin, split (SP.9/C8) ...	1	—	C	
26DL/3761	DHS.775/E/3	Washer ...	1	—	C	
28VV/9419402	SP.13/C	Washer ...	2	—	C	
12333	10-20 FS 15421	<b>LEVER</b> , interlocking (Mod. 383) ... Attachments for 10-20 FS 15421, Lever :—	1	—	C	KN2
28P/17936	SP.113/E11	Pin, shackle ...	1	—	C	KN2
28P/9527619	SP.90/C7	Pin, split (SP.9/C8) ...	1	—	C	
28VV/9419405	SP.15/E	Washer ...	1	—	C	
9262	10-20 FS 8955	<b>MOUNTING</b> , interlocking lever ... Attachments for 10-20 FS 8955, Mounting :—	1	—	C	KN2
28D/1011242	A25/7E	Bolt, 1/2" BSF ...	2	—	C	
28M/7002430	AGS.2002/E/1	Nut, 1/2" BSF ...	2	—	C	
28VV/9419405	SP.15/E	Washer ...	2	—	C	
9269	10-20 FS 8371A	<b>ROD</b> , connection, bellcrank lever and lower star-board latch bolt lever, assembly Attachments for 10-20 FS 8371A, Rod :—	1	—	C	KN2
28P/17924	SP.113/C6	Pin, shackle ...	1	—	C	KN2
28P/9527619	SP.90/C7	Pin, split (SP.9/C8) ...	1	—	C	
28VV/9419475	SP.15/C	Washer ...	1	—	C	
9263	10-20 FS 8513A	<b>ROD</b> , connection, by-pass valve and interlocking lever, assembly Attachments for 10-20 FS 8513A, Rod :—	1	—	C	KN2
9264	10-20 FS 8945	Bolt, spigot ...	1	—	C	KN2
28M/13271	A24/EP	Nut, 1/2" BSF ...	1	—	C	
28P/9435557	SP.113/C/5 1/2	Pin, shackle ...	1	—	C	KN2
28P/9527619	SP.90/C7	Pin, split (SP.9/C8) ...	2	—	C	
28VV/9419402	SP.13/C	Washer ...	1	—	C	
28VV/9419475	SP.15/C	Washer ...	1	—	C	

**FUSELAGE**  
**NOSE OPERATING MECHANISM**

Ref. No.	Part No.	Description	No. off	Material Specification	Class of Score or LM	Plate No.
9261	10-20 FS 8555A	<b>ROD</b> , connection, interlocking lever, and bellcrank, assembly	1	—	C	KN2
28P/—	SP.113/X5½	Attachments for 10-20 FS 8555A, Rod :—				
28P/19149	SP.113/X6	Pin, shackle ... ..	1	—	C	KN2
28P/9527619	SP.90/C7	Pin, shackle ... ..	1	—	C	KN2
28W/9419402	SP.13/C	Pin, split (SP.9/C8) ... ..	2	—	C	
28W/9419475	SP.15/C	Washer ... ..	2	—	C	
		Washer ... ..	2	—	C	
9221	10-20 FS 2985	<b>MECHANISM</b> , latch, group (Drg. 10-20 FS 5675)	1	—	—	
		<b>BOLT</b> , latch, 4"-13 o/a length ... ..	4	—	P	KN3
		Attachments for 10-20 FS 2985, Bolt :—				
28M/5808571	A27/GS	Nut, 5/16" BSF ... ..	1	—	C	
28P/9527619	SP.90/C7	Pin, split (SP.9/C8) ... ..	1	—	C	
28W/9419403	SP.13/G	Washer ... ..	1	—	C	
9222	10-20 FS 5733ND	Washer, shim ... ..	1	—	C	KN3
9223	10-20 FS 5735ND	Washer, shim ... ..	2	—	C	KN3
9225	10-20 FS 5697	<b>BOLT</b> , latch, 5"-04 o/a length ... ..	1	—	P	KN3
		Attachments for 10-20 FS 5697, Bolt :—				
28M/9512071	A27/GC	Nut, 5/16" BSF ... ..	1	—	C	
28P/9527619	SP.90/C7	Pin, split (SP.9/C8) ... ..	1	—	C	
9226	DHS.781/23/18	Washer ... ..	1	—	C	KN3
9222	10-20 FS 5733ND	Washer, shim ... ..	2	—	C	KN3
9223	10-20 FS 5735ND	Washer, shim ... ..	4	—	C	KN3
9236	10-20 FS 5677	<b>LEVER</b> , actuating ... ..	1	—	C	KN3
9235	10-20 FS 5679A	<b>LEVER</b> , bellcrank, assembly... ..	2	—	P	KN3
		Spares for :—				
9232	DHS.419/1/L/".75	<b>BUSH</b> (See Repair Section PA)	1	—	C	KN3
		Attachments for 10-20 FS 5679A, Lever :—				
28D/1212389	A25/17G	Bolt, 5/16" BSF ... ..	1	—	C	
9234	10-20 FS 5709	Collar ... ..	1	—	C	KN3
28M/9512071	A27/GC	Nut, 5/16" BSF ... ..	1	—	C	
9226	DHS.781/23/18	Washer ... ..	1	—	C	KN3
17322	10-20 WC 40719ND	Washer, zinc, ".005-.008 thick (Mod. 1134) ... ..	2	—	C	KN3
9231	10-20 FS 5681A	<b>LEVER</b> , idler, assembly ... ..	2	—	P	KN3
		Spares for :—				
9232	DHS.419/1/L/".75	<b>BUSH</b> (See Repair Section PA)	1	—	C	KN3
		Attachments for 10-20 FS 5681A, Lever :—				
9233	DHS.382/17G	Bolt, shear, 5/16" BSF ... ..	1	—	C	KN3
9234	10-20 FS 5709	Collar ... ..	1	—	C	KN3
28M/14537	A58/GS	Nut, 5/16" BSF ... ..	1	—	C	
28P/9527619	SP.90/C7	Pin, split (SP.9/C8) ... ..	1	—	C	
9226	DHS.781/23/18	Washer ... ..	1	—	C	KN3
17322	10-20 WC 40719ND	Washer, zinc, ".008-.008 thick (Mod. 1134) ... ..	2	—	C	KN3
9224	10-20 FS 2987	<b>LEVER</b> , latch bolt ... ..	4	—	C	KN3
9238	10-20 FS 5737A/ND	<b>ROD</b> , connection, actuating lever, assembly	1	—	C	KN3
		Attachments for 10-20 FS 5737A/ND, Rod :—				
28P/833	SP.4Y/B7	Pin, shackle ... ..	1	—	C	
28P/1011186	SP.4Y/B17	Pin, shackle ... ..	1	—	C	
28P/9527619	SP.90/C7	Pin, split (SP.9/C8) ... ..	2	—	C	
28W/9419475	SP.15/C	Washer ... ..	2	—	C	

## FUSELAGE

## NOSE OPERATING MECHANISM

Ref. No.	Part No.	Description	1 2 3 4 5 6						No. off	Material Specification	Class of Store or L.M.	Plate No.
9230	10-20 FS 5691A	ROD, connection, latch bolt levers, bottom, Port and Starboard							2	—	P	KN3
9237	10-20 FS 5683A	ROD, connection, latch bolt levers, Port							2	—	P	KN3
9227	10-20 FS 5685A	ROD, connection, latch bolt levers, top, Port and Starboard, assembly							2	—	P	KN3
9228	10-20 FS 5687A	ROD, connection, latch bolt levers, upper, Port assembly							1	—	P	KN3
9229	10-20 FS 5689A	ROD, connection, latch bolt levers, lower, Port, assembly							1	—	P	KN3
		Attachments for 10-20 FS 5691A, 10-20 FS 5683A, 10-20 FS 5685A, 10-20 FS 5687A and 10-20 FS 5689A, Rods (Per set) :—										
28P/9435557	SP.113/C5½	Pin, shackle							7	—	C	
28P/16272	SP.113/C7½	Pin, shackle							5	—	C	
28P/9527619	SP.90/C7	Pin, split (SP.9/C8)							12	—	C	
28W/9419475	SP.15/C	Washer							12	—	C	
		<b>MECHANISM</b> , nose operating, group (Drg. No. 10-20 FS 4063)							1	—	—	KN4
		<b>ADJUSTER</b> , assembly							1	—	P	KN4
		Spares for :—										
		<b>FORK-END</b>							1	S.1	—	KN4
		Attachments for 10-20 FS 3713A, Adjuster :—										
		Bolt, 2 BA							2	—	C	
		Nut, 2 BA							2	—	C	
		Pin, split (SP.9/C8)							2	—	C	
		Washer							2	—	C	
		<b>BOLT</b> , adjuster, in lug on operating lever							1	—	C	KN4
		Attachments for 10-20 FS 4127, Bolt :—										
		Nut, 2 BA							2	—	C	
		<b>BRACKET</b> , fairing hinge, assembly							2	—	C	KN4
		Spares for :—										
		<b>BUSH</b> (See Repair Section PA)							2	—	C	KN4
		<b>STUD</b>							2	S.96	—	KN4
		Attachments for 10-20 FS 12891, Stud :—										
		Nut, 2 BA							2	—	C	
		Washer							2	—	C	
		Attachments for 10-20 FS 4053A, Bracket :—										
		Bolt, 2 BA							1	—	C	
		Nut, 2 BA							3	—	C	
		Washer							3	—	C	
		Washer, zinc, ".005-.008 thick (Mod. 1134)							2	—	C	KN4
		<b>BRACKET</b> , support, auto-pilot gyro, assembly							1	—	—	KN4
		<b>BRACKET</b> , bare							1	L.72	LM	KN4
		<b>NUT</b> , 2 BA, anchor							4	—	C	
		Attachments for 10-20 FS 11581A, Bracket :—										
		Bolt, 2 BA							4	—	C	

FUSELAGE  
NOSE OPERATING MECHANISM

Ref. No.	Part No.	Description	No. off						Material Specification	Class of Store or LM	Plate No.
			1	2	3	4	5	6			
	10-20 FS 4033A	CAP, bearing, radome hinge pin, assembly (For spares use 10-20 FS 14385A/ND)	1							KN4	
10201	10-20 FS 14385A/ND	CAP, bearing, radome hinge pin, assembly (Spares condition)	1						P		
		Attachments for 10-20 FS 4033A, Cap :-									
28D/8313	AS.1242/9C	Bolt, 2 BA	4						C		
28M/9403520	A27/CP	Nut, 2 BA	4						C		
28W/9419475	SP.15/C	Washer	4						C	KN4	
17321	10-20 WC 40713ND	Washer, zinc, ".005-.008 thick (Mod. 1134)	4						C		
2417	10-20 FS 4037A	FAIRING, hinged, assembly	1						P	KN4	
	10-20 FS 4067	CHANNEL, fairing	1				L.72			KN4	
	10-20 FS 4041A	HINGE, upper, assembly	1							KN4	
		Spares for :-									
2453	DHS.418/1/C/.12	BUSH (See Repair Section PA)	2						C	KN4	
	10-20 FS 4039A	LEVER, and lower hinge, assembly (For spares use 10-20 FS 14203A/ND)	1							KN4	
2418	10-20 FS 14203A/ND	LEVER, and lower hinge, assembly (Spares condition)	1						P		
		Spares for :-									
2453	DHS.418/1/C/.12	BUSH (See Repair Section PA)	2						C	KN4	
2420	10-20 FS 4049	ROLLER	1						C	KN4	
		Attachments for 10-20 FS 4049, Roller :-									
28D/1204937	AS.1242/6C	Bolt, 2 BA	1						C		
2419	10-20 FS 4047	Bush	1						C	KN4	
28M/1006473	A27/CT	Nut, 2 BA	1						C		
28W/9419402	SP.13/C	Washer	1						C		
	10-20 FS 4065	SKIN, fairing	1				L.72			KN4	
		Attachments for 10-20 FS 4037A, Fairing :-									
28P/1013110	SP.4Y/B18	Pin, shackle	2						C		
28P/1021104	SP.90/C3	Pin, split (SP.9/C4)	2						C		
2421	10-20 FS 4131	Spring, return	2						C	KN4	
	10-20 FS 4057ND	Tube, distance, $\frac{5}{8}$ " o/d x 17 SWG x 0".31 long	4				T.26		LM	KN4	
17321	10-20 WC 40713ND	Washer, zinc, ".005-.008 thick (Mod. 1134)	4						C	KN4	
	10-20 FS 17659A	HINGE, nose, assembly (For spares use 10-20 FS 20825A/ND)	1							KN4	
17604	10-20 FS 20825A/ND	HINGE, nose, assembly (Spares condition) (Mod. 1210)	1						P		
		Spares for :-									
2A/9500422	SKEFKO TTS.12 $\frac{1}{2}$	BEARING, ball	1						C	KN4	
7212	10-20 FS 4975	BUSH	4						C	KN4	
3046	DHS.419/1/E/.20	BUSH (See Repair Section PA)	6						C	KN4	
	DHS.419/1/G/.33	BUSH, $\frac{5}{16}$ " i/d x 0".33 long	1				DTD.197		LM	KN4	
28M/11957	AGS.2007/C/1	NUT, 2 BA, anchor	11						C		
28M/12421	AGS.2018/C/1	NUT, 2 BA, anchor	4						C		
7912	10-20 FS 8351ND	SHIM	1						C	KN4	
2430	10-20 FS 3565A	HOUSING, bearing, lower, assembly	1						P	KN4	
		Spares for :-									
2A/9500420	SKEFKO TTS.10 $\frac{1}{2}$	BEARING, ball	1						C		
		Attachments for 10-20 FS 3565A, Housing :-									
28D/9133013	A25/5C	Bolt, 2 BA	2						C		
28M/10288	AGS.2001/C/1	Nut, 2 BA	2						C		
28W/9419475	SP.15/C	Washer	2						C		
17321	10-20 WC 40713ND	Washer, zinc, ".005-.008 thick (Mod. 1134)	4						C	KN4	

**FUSELAGE**  
**NOSE OPERATING MECHANISM**

Ref. No.	Part No.	Description	No. off	Material Specification	Class of Store or L.M.	Place No.
2428	10-20 FS 3569A	<b>HOUSING</b> , bearing, upper, assembly ... ..	1	—	P	KN4
		Spares for:—				
2A/9500420	SKEFKO TTS.10½	<b>BEARING</b> , ball ... ..	1	—	C	
		Attachments for 10-20 FS 3569A, Housing:—				
28D/9133013	A25/5C	Bolt, 2 BA ... ..	4	—	C	
28M/10288	AGS.2001/C/1	Nut, 2 BA ... ..	4	—	C	
2429	10-20 FS 4123	Shim ... ..	1	LA.3	C	KN4
28W/9419475	SP.15/C	Washer ... ..	4	—	C	
17321	10-20 WC 40713ND	Washer, zinc, "005-"008 thick (Mod. 1134) ...	4	—	C	KN4
	10-20 FS 3563A	<b>HOUSING</b> , lower, assembly (Pre Mod. 826) (For spares use 10-20 FS 14381A/ND)	1	—	—	KN4
10200	10-20 FS 14381A/ND	<b>HOUSING</b> , lower, assembly (Spares condition)	1	—	P	
	10-20 FS 17721A	<b>HOUSING</b> , lower, assembly (Mod. 826) (For spares use 10-20 FS 17949A/ND)	1	—	—	KN4
16816	10-20 FS 17949A/ND	<b>HOUSING</b> , lower, assembly (Spares condition)	1	—	P	
	DHS.419/1/G/"33	<b>BUSH</b> , ⅜" i/d x 0"33 long ... ..	1	DTD.197	LM	KN4
		Attachments for 10-20 FS 3563A or 10-20 FS 17721A, Housing:—				
28D/1007976	AS.1242/4C	Bolt, 2 BA ... ..	2	—	C	
28D/8313	AS.1242/9C	Bolt, 2 BA (Mod. 826) ... ..	5	—	C	
28D/9133013	A25/5C	Bolt, 2 BA ... ..	10	—	C	
28M/9403520	A27/CP	Nut, 2 BA (Pre Mod. 826) ... ..	12	—	C	
		(Mod. 826) ... ..	17	—	C	
16159	10-20 FS 17011ND	Shim, "Attewell" ... ..	1	LA.3	C	KN4
16160	10-20 FS 17013ND	Shim, "Attewell" ... ..	1	LA.3	C	KN4
16158	10-20 FS 17015ND	Shim, "Attewell" ... ..	1	LA.3	C	KN4
28W/9419475	SP.15/C	Washer (Pre Mod. 826) ... ..	12	—	C	
		(Mod. 826) ... ..	17	—	C	
17321	10-20 WC 40713ND	Washer, zinc, 0"005-0"008 thick (Mod. 1134) ...	15	—	C	KN4
	—	<b>HYDRAULIC COMPONENTS</b> (See sub-section QQ)	—	—	—	
8819	10-20 FS 8089A	<b>LEVER</b> , operating, assembly ... ..	1	—	P	KN4
		Spares for:—				
2434	10-20 FS 3771	<b>BUSH</b> (See Repair section PA) ... ..	1	DTD.197	C	KN4
	10-20 FS 17625	<b>LINK</b> , anchorage, lower (Mod. 1080) (For spares used 10-20 FS 17961ND)	1	S.92	—	KN4
16828	10-20 FS 17961ND	<b>LINK</b> , anchorage, lower (Spares condition) ...	1	S.92	C	
	10-20 FS 17627	<b>LINK</b> , anchorage, upper (Mod. 1080) (For spares use 10-20 FS 17959ND)	1	—	—	KN4
16829	10-20 FS 17959ND	<b>LINK</b> , anchorage, upper (Spares condition) ...	1	—	C	

**FUSELAGE  
NOSE OPERATING MECHANISM**

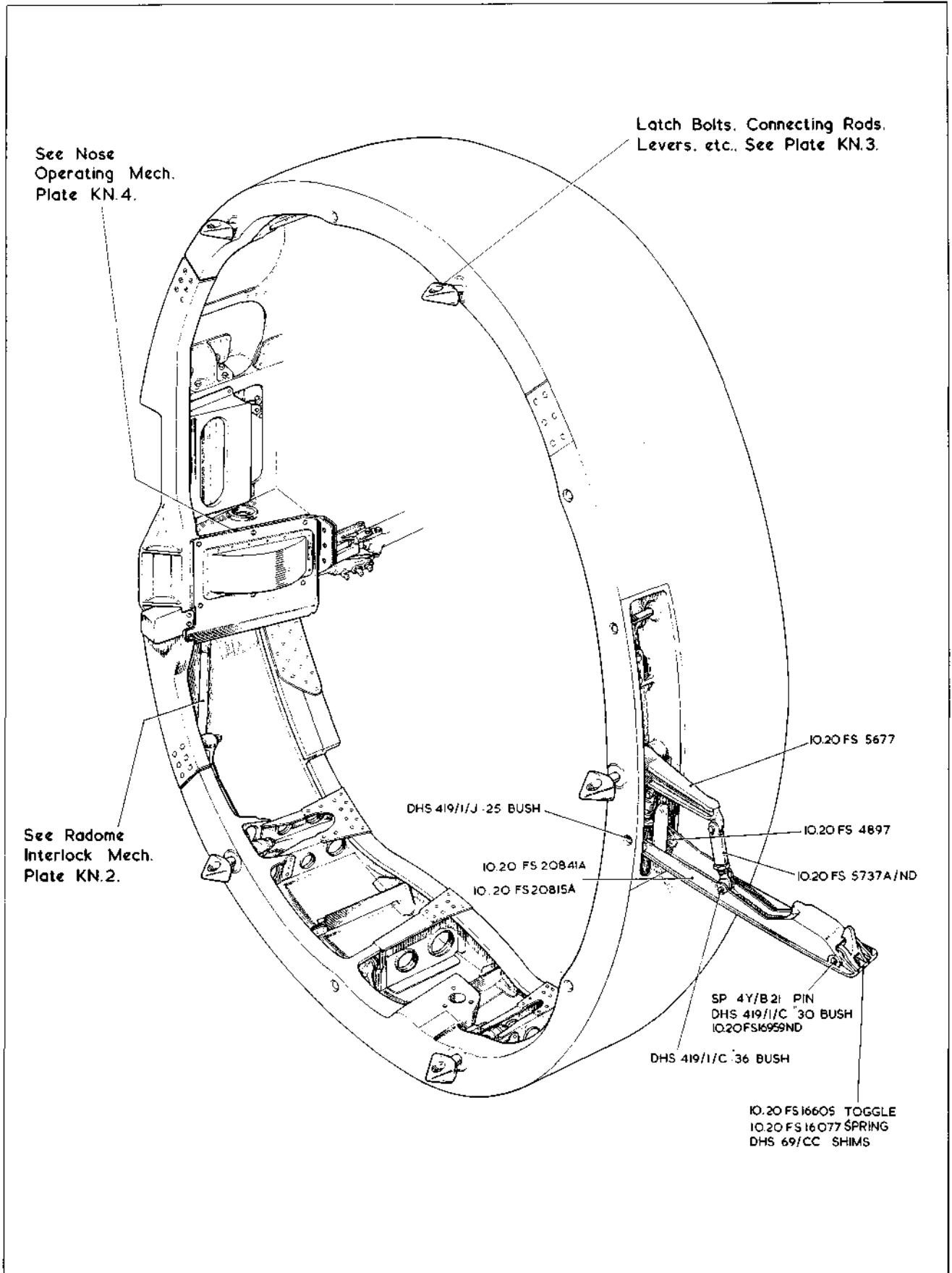
Ref. No.	Part No.	Description	No. off						Material Specification	Class of Store or L.M.	Plate No.
			1	2	3	4	5	6			
		Attachments for 10-20 FS 17625 or 10-20 FS 17627, Link:—									
16946	DHS.980/7G	Bolt, $\frac{3}{16}$ " BSF	...	...	...	...	...	1	—	C	
28M/14537	A58/GS	Nut, $\frac{3}{16}$ " BSF	...	...	...	...	...	1	—	C	
28P/1007741	SP.9/C8	Pin, split	...	...	...	...	...	1	—	C	
28W/9419476	SP.15/G	Washer	...	...	...	...	...	1	—	C	
17490	10-20 FS 3763A	<b>LINK</b> , connecting, assembly	...	...	...	...	...	1	—	P	KN4
6631	10-20 FS 3767A	<b>EYE-END</b> , assembly	...	...	...	...	...	1	—	C	KN4
		Spares for:—									
2434	10-20 FS 3771	<b>BUSH</b> (See Repair section PA)	...	...	...	...	...	1	DTD.197	C	KN4
6632	10-20 FS 3765	<b>FORK-END</b>	...	...	...	...	...	1	S.96	C	KN4
28M/1007404	A27/JT	<b>NUT</b> , $\frac{3}{8}$ " BSF	...	...	...	...	...	1	—	C	
		Attachments for 10-20 FS 3763A, Link:—									
28D/20184	A59/7J	Bolt, $\frac{1}{4}$ " BSF	...	...	...	...	...	1	—	C	
28D/17775	A60/13J	Bolt, $\frac{3}{8}$ " BSF	...	...	...	...	...	1	—	C	
28M/14833	A58/JS	Nut, $\frac{3}{8}$ " BSF	...	...	...	...	...	2	—	C	
28P/1007741	SP.9/C8	Pin, split	...	...	...	...	...	2	—	C	
28W/9419477	SP.15/J	Washer	...	...	...	...	...	4	—	C	
28W/9419456	SP.10/J	Washer	...	...	...	...	...	QR	—	C	
2435	10-20 FS 3587	<b>PINION</b>	...	...	...	...	...	1	S.96	C	KN4
		Attachments for 10-20 FS 3587, Pinion:—									
28M/10292	AGS.2001/JJ/1	Nut, $\frac{3}{8}$ " BSF	...	...	...	...	...	1	—	C	
2436	10-20 FS 3591	Washer	...	...	...	...	...	1	DTD.372	C	KN4

**FUSELAGE**  
**NOSE OPERATING MECHANISM**

Ref. No.	Part No.	Description	No. off	Material Specification	Class of Score or LM	Plate No.
	—	<b>PLATE</b> , cover, and guard cap, group (Drg. No. 10-20 FS 4061)	1	—	—	
2432	10-20 FS 4135A/ND	<b>CAP</b> , guard, assembly ... ..	1	—	C	KN4
28D/9140202	AS.1246/1C	Attachments for 10-20 FS 4135A/ND, Cap :—				
28W/9419475	SP.15/C	Bolt, 2 BA ... ..	4	—	C	
		Washer ... ..	4	—	C	
7914	10-20 FS 12769A/ND	<b>PLATE</b> , cover, and blister, assembly ... ..	1	—	—	KN4
	10-20 FS 8459ND	<b>BLISTER</b> ... ..	1	L.59	C	KN4
2431	10-20 FS 4133ND	<b>PLATE</b> , cover ... ..	1	L.72	C	KN4
		Attachments for 10-20 FS 12769A/ND, Plate :—				
28D/9140202	AS.1246/1C	Bolt, 2 BA ... ..	7	—	C	
28W/9419475	SP.15/C	Washer ... ..	7	—	C	
	10-20 FS 8949	<b>PLATE</b> , fairing, bottom radome hinge pin ... ..	1	L.72	LM	KN4
	10-20 FS 8951	<b>PLATE</b> , fairing, top radome hinge pin ... ..	1	L.72	LM	KN4
		Attachments for 10-20 FS 8949 or 10-20 FS 8951, Plate :—				
7913	10-20 FS 8349	Bush ... ..	2	S.1	C	KN4
28S/9140929	A33/C12	Screw, 2 BA ... ..	2	—	C	
16826	10-20 FS 17353	<b>PLATE</b> , reinforcing (Mod. 1080) (Fit at lower anchorage plate)	1	L.64	C	KN4
		Attachments for 10-20 FS 17353, Plate :—				
28D/1200119	A25/4C	Bolt, 2 BA ... ..	2	—	C	
28M/10288	AGS.2001/C/1	Nut, 2 BA ... ..	2	—	C	
28W/9419475	SP.15/C	Washer ... ..	2	—	C	
16827	10-20 FS 17355	<b>PLATE</b> , reinforcing (Mod. 1080) (Fit at upper anchorage plate)	1	L.64	C	KN4
		Attachments for 10-20 FS 17355, Plate :—				
28D/1200119	A25/4C	Bolt, 2 BA ... ..	2	—	C	
15910	10-20 FS 3573A	<b>RACK</b> , assembly ... ..	1	—	C	KN4
		Attachments for 10-20 FS 3573A, Rack :—				
6569	10-20 FS 5575	Nut ... ..	1	S.1	C	KN4
6570	10-20 FS 5573	Washer ... ..	1	S.511	C	KN4
2437	10-20 FS 3579A	<b>ROLLER</b> , assembly ... ..	1	—	C	KN4
		Attachments for 10-20 FS 3579A, Roller :—				
2439	10-20 FS 3585	Collar, distance ... ..	1	S.1	C	KN4
28M/10288	AGS.2001/C/1	Nut, 2 BA ... ..	1	—	C	
28M/14537	A58/GS	Nut, $\frac{3}{8}$ " BSF ... ..	1	—	C	
28P/1007741	SP.9/C8	Pin, split ... ..	1	—	C	
2440	10-20 FS 3589	Plate, locking ... ..	1	L.72	C	KN4
28S/1200053	A33/C16	Screw, 2 BA ... ..	1	—	C	
2438	10-20 FS 3583	Shaft ... ..	1	S.106	C	KN4
2441	10-20 N 3719	Stud ... ..	1	S.1	C	KN4
28W/9419458	SP.10/N	Washer ... ..	QR	—	C	
28W/9419475	SP.15/C	Washer ... ..	1	—	C	
28W/9419476	SP.15/G	Washer ... ..	1	—	C	

**FUSELAGE**  
**NOSE OPERATING MECHANISM**

Ref. No.	Part No.	Description	No. off	Material Specification	Class of Store or L.M	Place No.
	—	<b>MECHANISM</b> , nose lock operating lever and micro switch, group (Drg. No. 10-20 FS 20879)	1	—	—	KN5
28D/13896	—	<b>BRACKET</b> , micro-switch, group ... ..	1	—	—	
	A25/20B	<b>BOLT</b> , 4 BA (Lock to DHS.514/D) ... ..	2	—	C	
	10-20 FS 16273	<b>BRACKET</b> , 14 SWG (Mod. 488) ... ..	1	L.72	LM	KN5
	10-20 FS 16427A	<b>BRACKET</b> , assembly (Mod. 488) ... ..	1	L.72	—	KN5
	10-20 FS 16115ND	<b>BRACKET</b> , bare, 18 SWG ... ..	1	L.72	LM	KN5
	10-20 FS 16429ND	<b>PACKING</b> , 18 SWG ... ..	1	L.72	LM	KN5
28M/10287	AGS.2001/B/1	<b>NUT</b> , 4 BA ... ..	2	—	C	
	AS.2810/4/030	<b>TUBE</b> , distance, 3/4" o/d x 20 SWG x 0"30 long	1	L.62	LM	
14001	10-20 FS 16579ND	<b>TUBE</b> , bearing (Mod. 488) ... ..	1	S.92	C	KN5
28W/9419465	SP.13/B	<b>WASHER</b> ... ..	1	—	C	
	—	<b>ELECTRICAL COMPONENTS</b> (See sub-section EBE)	—	—	—	
	—	<b>HYDRAULIC COMPONENTS</b> (See sub-section QQ)	—	—	—	
14002	10-20 FS 16271	<b>LEVER</b> (Mod. 488) ... ..	1	DHE.245	C	KN5
		Attachments for 10-20 FS 16271, Lever :—				
28D/1011019	A25/8C	Bolt, 2 BA ... ..	1	—	C	
28M/10288	AGS.2001/C/1	Nut, 2 BA ... ..	1	—	C	
28W/9419402	SP.13/C	Washer ... ..	1	—	C	
28W/9419404	SP.16/C	Washer ... ..	1	—	C	
17605	10-20 FS 20841A	<b>LEVER</b> , nose lock operating, assembly (Mod. 1211)	1	—	P	KN5
	10-20 FS 20815A	<b>LEVER</b> , assembly ... ..	1	—	—	KN1
		Spares for :—				
9243	DHS.419/1/C/36	<b>BUSH</b> } See Repair section PA	2	DTD.197	C	KN1
9244	DHS.419/1/J/25	<b>BUSH</b> }	1	DTD.197	C	KN1
9245	DHS.419/1/C/30	<b>BUSH</b> }	2	DTD.197	C	KN1
9242	10-20 FS 4897	<b>PLATE</b> , corque ... ..	1	S.93	C	KN1
14005	10-20 FS 16077	<b>SPRING</b> (Mod. 488) ... ..	1	Spr. Stl.	C	KN1
14006	10-20 FS 16605	<b>TOGGLE</b> (Mod. 488) ... ..	1	DTD.748	C	KN1
		Attachments for 10-20 FS 16605, Toggle :—				
28P/1013113	SP.4Y/B21	Pin, shackle ... ..	1	—	C	KN1
28P/1007741	SP.9/C8	Pin, split ... ..	1	—	C	
28W/9419475	SP.15/C	Washer ... ..	1	—	C	
26FC/2036	DHS.69/CC	Washer, shim ... ..	2	LB.2	C	KN1
14951	10-20 FS 16959ND	<b>TUBE</b> , distance ... ..	1	—	C	KN1
		Attachments for 10-20 FS 20841A, Lever :—				
11867	10-20 FS 15133	Bolt ... ..	1	S.92	C	
28D/1011242	A25/7E	Bolt, 1/2" BSF ... ..	1	—	C	
9246	10-20 FS 6899	Collar ... ..	1	S.1	C	KN5
28M/13935	A58/ES	Nut, 1/2" BSF ... ..	1	—	C	
28M/14537	A58/GS	Nut, 3/8" BSF ... ..	1	—	C	
28P/1007741	SP.9/C8	Pin, split ... ..	2	—	C	
28W/9418921	SP.13/E	Washer ... ..	1	—	C	
28W/9419403	SP.13/G	Washer ... ..	1	—	C	
9247	DHS.781/42/20	Washer ... ..	1	S.510	C	KN5
17323	10-20 WC 40723ND	Washer, zinc, ".005-.008 thick (Mod. 1134) ...	1	—	C	KN5
14003	10-20 FS 16357A	<b>ROD</b> , micro-switch contact, assembly (Mod. 488)	1	—	C	KN5
		Spares for :—				
9260	10-20 FS 6919	<b>BOLT</b> , micro-switch striker ... ..	2	—	C	KN5
28M/9403520	A27/CP	<b>NUT</b> , 2 BA ... ..	2	—	C	



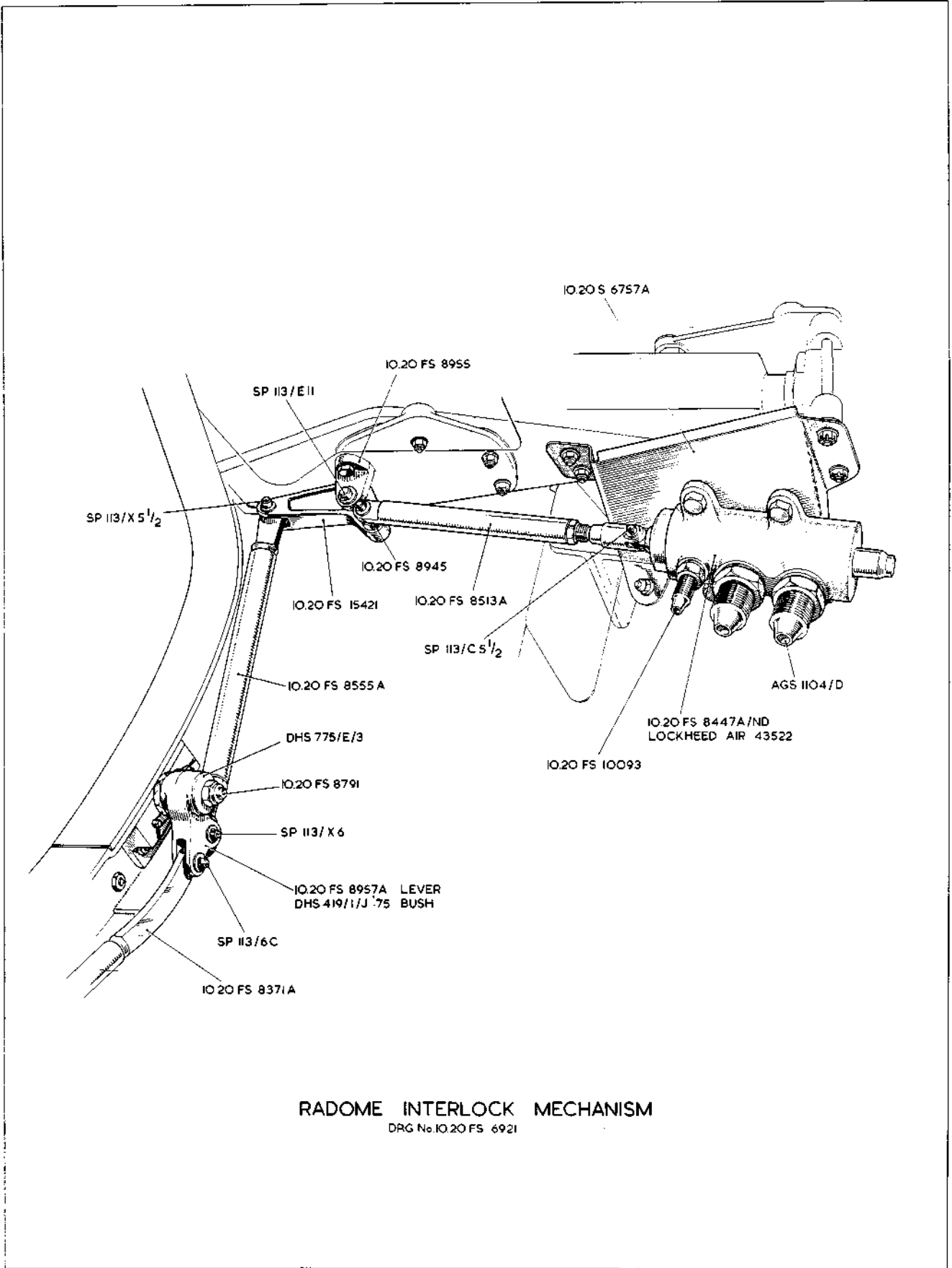
KN.1

# FUSELAGE

KN.1

[AL. 52]

## NOSE OPERATING MECHANISM



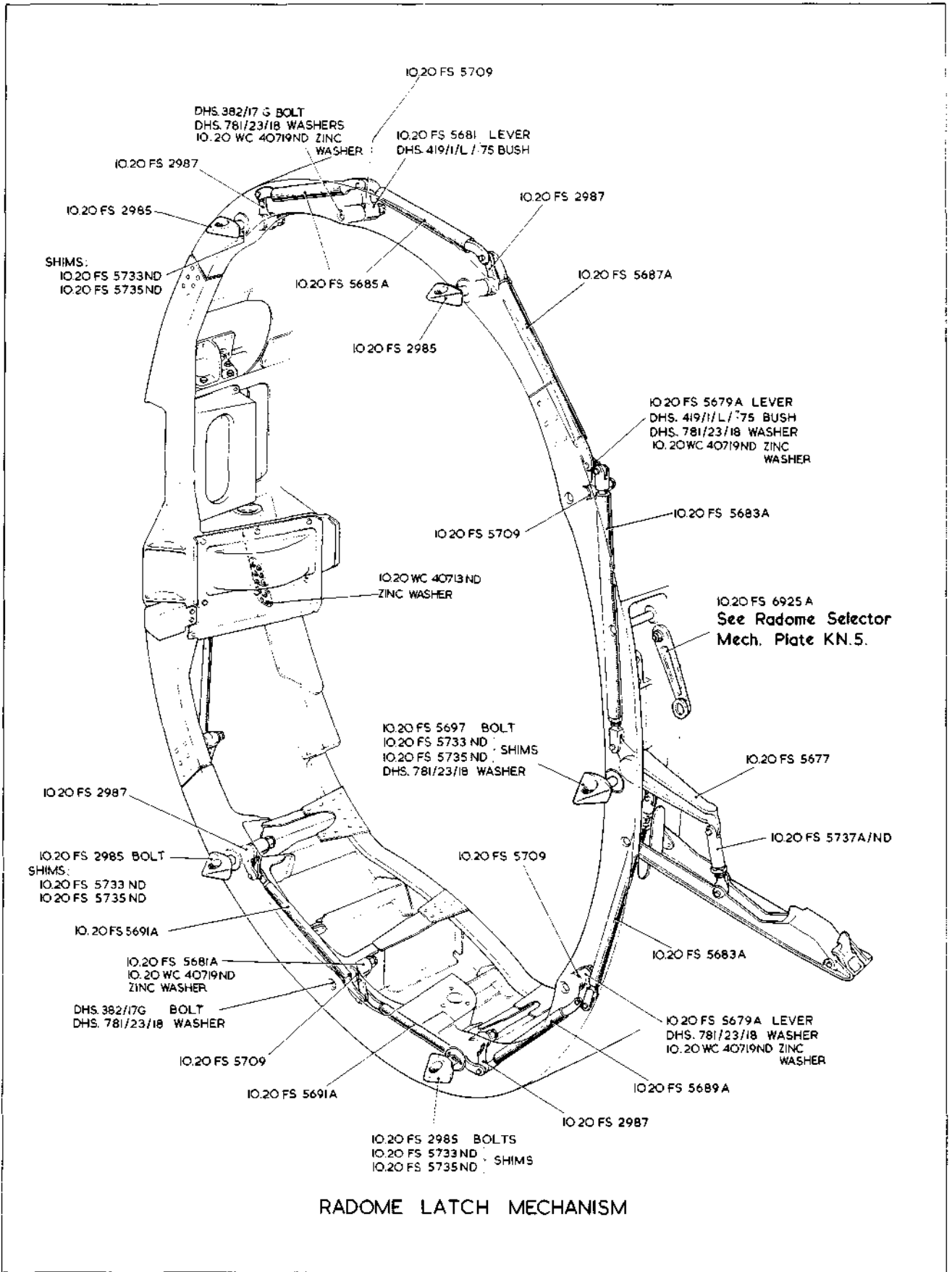
KN.2

# FUSELAGE

KN.2

## NOSE OPERATING MECHANISM

A.L. 37



RADOME LATCH MECHANISM

KN.3

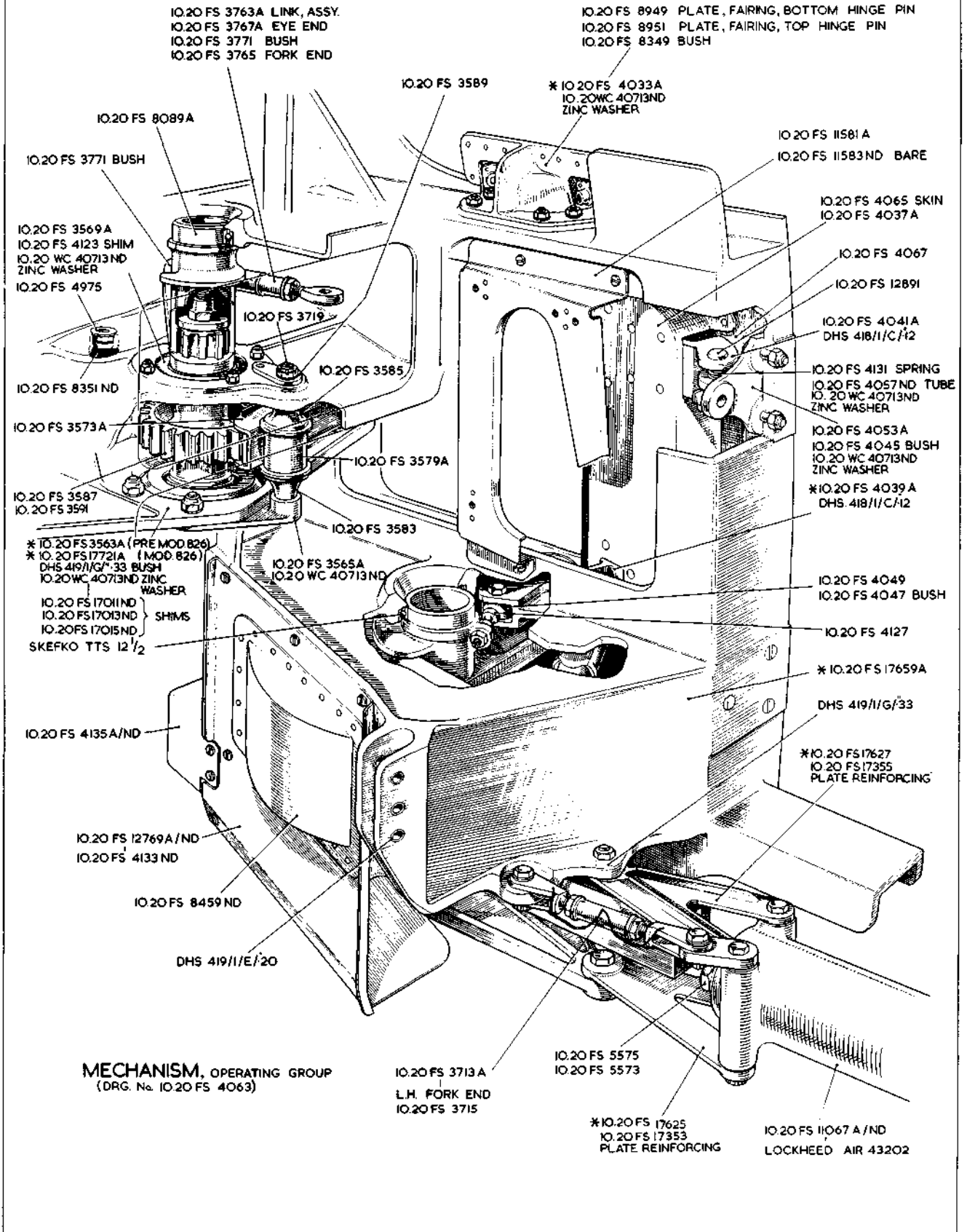
# FUSELAGE

KN.3

[A.L. 54]

## NOSE OPERATING MECHANISM

SEE TEXT FOR SPARES CONDITION  
OF ITEMS MARKED THUS: \*



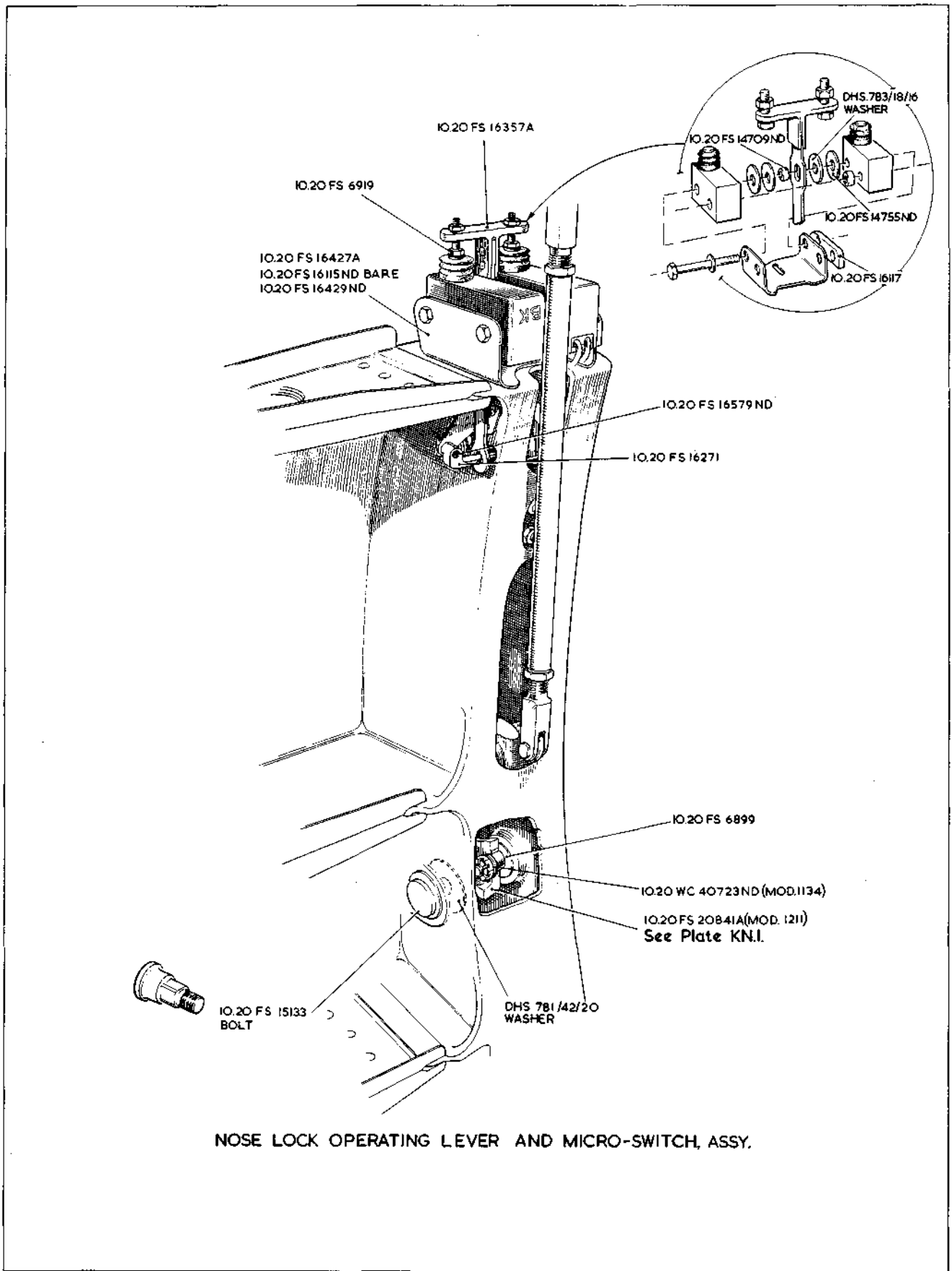
KN.4

FUSELAGE

KN.4

NOSE OPERATING MECHANISM

[A.1.40]



KN.5

# FUSELAGE

KN.5

## NOSE OPERATING MECHANISM

[A.L.66]



This file was downloaded  
from the RTFM Library.

Link: [www.scottbouch.com/rtfm](http://www.scottbouch.com/rtfm)

Please see site for usage terms,  
and more aircraft documents.