

**MAIN PLANES
WING EXTENSION**

Ref. No.	Part No.	Description	No. off	Material Specification	Class of Store or L.M.	Place No.			
							1	2	3
	10-20 WE 1	WING, EXTENSION, PORT, ASSEMBLY ... (Complete with services)	1	—	—	LH1			
	10-20 WE 2	WING, EXTENSION, STARBOARD, ASSEMBLY (Complete with services)	1	—	—	LH1			
112	S10-20 WE 115	WING, extension, Port (Special spares assembly complete with attachments)	1	—	P	LH1			
113	S10-20 WE 116	WING, extension, Starboard (Special spares assembly complete with attachments) Spares for :— Note :—The following items are not supplied with wing extension spares assemblies—Aileron (See sub-section LJ) and Flap (See sub-sections LD and LE)	1	—	P	LH1			
	—	CONTROLS (See sub-section CD)	—	—	—	LH1			
	—	ELECTRICAL COMPONENTS (See appropriate sub-sections)	—	—	—	LH1			
	—	FAIRINGS, wing-fold, bottom outboard, group ... (Drg. No. 10-20 WE 4193)	1	—	—				
	10-20 WE 2697A	DOOR, access, wing-fold fairing bottom, Port, assembly (For spares use 10-20 WE 6145A/ND)	1	—	—	LH2			
11188	10-20 WE 6145A/ND	DOOR, access, wing-fold fairing, bottom, Port, assembly (Spares condition)	1	—	P				
	10-20 WE 2698A	DOOR, access, wing-fold fairing, bottom, Starboard, assembly (For spares use 10-20 WE 6146A/ND)	1	—	—	LH2			
11189	10-20 WE 6146A/ND	DOOR, access, wing-fold fairing, bottom, Starboard, assembly (Spares condition) Spares for :—	1	—	P				
	—	BOLT, door, attachment, group	1	—	—				
28D/13298	AS.3297/5C	BOLT, 2 BA	2	—	C				
	10-20 WE 3293	COLLAR	2	L.64	LM	LH2			
	10-20 WE 5125ND	STRIP, packing for hinge, 16 SWG	1	L.72	LM	LH2			
	10-20 WE 3499ND	WINDOW, L.H. (For spares use 10-20 WE 6143ND)	1	DTD.339	—	LH2			
11190	10-20 WE 6143ND	WINDOW, L.H. (Spares condition)	1	—	C				
	10-20 WE 3500ND	WINDOW, R.H. (For spares use 10-20 WE 6144ND)	1	DTD.339	—	LH2			
11191	10-20 WE 6144ND	WINDOW, R.H. (Spares condition)	1	—	C				
	—	Attachments for 10-20 WE 2697A or 10-20 WE 2698A, Door :—							
1092	DHS.365/2C	Bolt, 2 BA	6	—	C				
28M/10328	AGS.2002/C;1	Nut, 2 BA	6	—	C				
28W/9419475	SP.15/C	Washer	6	—	C				
	10-20 WE 4195A	FAIRING, wing-fold, bottom forward, Port, assembly (For spares use 10-20 WE 6167A/ND)	1	—	—	LH2			
11217	10-20 WE 6167A/ND	FAIRING, wing-fold, bottom forward, Port, assembly (Spares condition)	1	—	P				

MAIN PLANES
WING EXTENSION

Ref. No.	Part No.	Description	No. off	Material Specification	Class of Score or L.M.	Plate No.			
							1	2	3
11218	10-20 WE 4196A	FAIRING , wing-fold, bottom forward, Starboard assembly (For spares use 10-20 WE 6168A/ND)	1	—	—	LH2			
	10-20 WE 6168A ND	FAIRING , wing-fold, bottom forward, Starboard assembly (Spares condition) Spares for :—	1	—	P				
28D/13132 28M/9435067	10-20 WE 5407	BRACKET , fairing, aft, Port, 19 SWG ...	1	L.72	—	LH2			
	10-20 WE 5408	BRACKET , fairing, aft, Starboard, 18 SWG ...	1	L.72	—	LH2			
	10-20 WE 3069	COVER , handhole, 16 SWG ... Attachments for 10-20 WE 3069, Cover :—	1	L.72	LM	LH2			
	Bolt, 2 BA ... Nut, 2 BA ...	4 4	— —	C C					
7345	10-20 WE 3071ND	LANDING , cover, for inspection window, 16 SWG	1	L.72	LM	LH2			
	10-20 WE 4199ND	LANDING , door access, Port, 16 SWG ...	1	L.72	LM	LH2			
	10-20 WE 4200ND	LANDING , door access, Starboard, 16 SWG	1	L.72	LM	LH2			
	10-20 WE 3291	PACKING , "35 thick, use under anchor nut	1	LFS.21	LM	LH2			
	10-20 WE 3505	PLATE , washer, for front latch, inspection window, 20 SWG	1	L.72	LM	LH2			
	10-20 WE 3501	WINDOW , inspection at front latch, perspex, 1/4" thick Attachments for 10-20 WE 4195A or 10-20 WE 4196A, Fairing :—	1	—	C	LH2			
	Bolt, 4 BA ...	1	—	C					
	Bolt, 2 BA ...	4	—	C					
	Bolt, 2 BA ...	2	—	C					
	Bolt, 2 BA ...	4	—	C					
28D/8300 28D/9133011 28D/1200119 6389 1092 28M/10287 28M/10288 28M/9419400 28W/9419474 28W/9419405 28W/9419404	AS.1242/1B	Bolt, 4 BA ...	1	—	C				
	A25/2C	Bolt, 2 BA ...	4	—	C				
	A25/4C	Bolt, 2 BA ...	2	—	C				
	DHS.365/1 1/2 C	Bolt, 2 BA ...	4	—	C				
	DHS.365/2C	Bolt, 2 BA ...	6	—	C				
	AGS.2001/B/1	Nut, 4 BA ...	1	—	C				
	AGS.2001/C/1	Nut, 2 BA ...	10	—	C				
	AGS.2013/C/11	Nut, 2 BA, floating anchor ...	8	—	C				
	SP.15/B	Washer ...	1	—	C				
	SP.15/E	Washer ...	5	—	C				
SP.16/C	Washer ...	3	—	C					
11219	10-20 WE 4197A	FAIRING , wing-fold, bottom aft, Port, assembly (For spares use 10-20 WE 6169A/ND)	1	—	—	LH2			
	10-20 WE 6169A/ND	FAIRING , wing-fold, bottom aft, Port, assembly (Spares condition)	1	—	P				
11220	10-20 WE 4198A	FAIRING , wing-fold, bottom aft, Starboard, assembly (For spares use 10-20 WE 6170A/ND)	1	—	—	LH2			
	10-20 WE 6170A/ND	FAIRING , wing-fold, bottom aft, Starboard, assembly (Spares condition) Spares for :—	1	—	P				
	10-20 WE 5409	BRACKET , fairing, forward, Port, 18 SWG ...	1	L.72	—	LH2			
10-20 WE 5410	10-20 WE 5410	BRACKET , fairing, forward, Starboard, 18 SWG	1	L.72	—	LH2			
	10-20 WE 5403	BRACKET , fairing, forward intermediate, Port, 18 SWG	1	L.72	—	LH2			
	10-20 WE 5404	BRACKET , fairing, forward intermediate, Starboard, 18 SWG	1	L.72	—	LH2			

**MAIN PLANES
WING EXTENSION**

Ref. No.	Part No.	Description	No. off	Material Specification	Class of Store or L.M.	Plate No.			
							1	2	3
	10-20 WE 5399	BRACKET , fairing aft, intermediate, Port, 18 SWG	1	—	—	LH2			
	10-20 WE 5400	BRACKET , fairing, aft, intermediate, Starboard, 18 SWG	1	L.72	—	LH2			
	10-20 WE 5405	BRACKET , fairing, aft, Port, 18 SWG	1	L.72	—	LH2			
	10-20 WE 5406	BRACKET , fairing, aft, Starboard, 18 SWG	1	L.72	—	LH2			
	10-20 WE 4201ND	LANDING , door access, Port, 16 SWG	1	L.72	LM	LH2			
	10-20 WE 4202ND	LANDING , door access, Starboard, 16 SWG	1	L.72	LM	LD2			
28M/9419400	AGS.2013/C/11	NUT , 2 BA, floating anchor, access door attachment	1	—	C				
	10-20 WE 3291	PACKING , use under anchor nut, ".35 thick	1	LFS.21	LM	LH2			
	10-20 WE 3503	PLATE , washer, for rear latch inspection window, 20 SWG	1	L.72	LM	LH2			
7348	10-20 WE 3357	WINDOW , inspection, at rear latch, perspex, 1/2" thick	1	—	C	LH2			
		Attachments for 10-20 WE 4197A or 10-20 WE 4198A, Fairing :—							
28D/9133011	A25/2C	Bolt, 2 BA	10	—	C				
6389	DHS.365/1 1/2 C	Bolt, 2 BA	3	—	C				
1092	DHS.365/2C	Bolt, 2 BA	18	—	C				
28M/10288	AGS.2001/C/1	Nut, 2 BA	10	—	C				
28M/9419400	AGS.2013/C/11	Nut, 2 BA, floating anchor	18	—	C				
28W/9419404	SP.16/C	Washer	10	—	C				
	—	FAIRINGS , wing-fold, top outboard, group (Drg. No. 10-20 WE 4253)	1	—	—				
	10-20 WE 4245A	FAIRING , wing-fold, top outboard, Port, assembly (For spares use 10-20 WE 6189A/ND)	1	—	—	LH2			
11264	10-20 WE 6189A/ND	FAIRING , wing-fold, top outboard, Port, assembly (Spares condition)	1	—	P	LH2			
	10-20 WE 4246A	FAIRING , wing-fold, top outboard, Starboard, assembly (For spares use 10-20 WE 6190A/ND)	1	—	—	LH2			
11265	10-20 WE 6190A/ND	FAIRING , wing-fold, top outboard, Starboard, assembly (Spares condition)	1	—	P	LH2			
		Spares for :—							
	10-20 WE 5393A	BRACKET , fairing, Port, assembly	1	—	—	LH2			
	10-20 WE 5394A	BRACKET , fairing, Starboard, assembly	1	—	—	LH2			
		Attachments for 10-20 WE 4245A or 10-20 WE 4246A, Fairing :—							
6389	DHS.365/1 1/2 C	Bolt, 2 BA	7	—	C				
4371	DHS.365/2 1/2 C	Bolt, 2 BA	1	—	C				
28D/1010030	A25/7C	Bolt, 2 BA	2	—	C				
28M/10288	AGS.2001/C/1	Nut, 2 BA	1	—	C				
28M/10328	AGS.2002/C/1	Nut, 2 BA	2	—	C				
28M/10245	AGS.2014/C/11	Nut, 2 BA	7	—	C				
28W/9419475	SP.15/C	Washer	3	—	C				
103	S10-20 WE 111	FENCE , boundary layer, Port (Special spares assembly, complete with attachments)	1	—	P	LH3			
116	S10-20 WE 112	FENCE , boundary layer, Starboard (Special spares assembly, complete with attachments)	1	—	P	LH3			
	10-20 WE 5451A/1	FENCE , boundary layer, Port, assembly	1	—	—	LH3			
	10-20 WE 5452A/1	FENCE , boundary layer, Starboard, assembly	1	—	—	LH3			
		Spares for :—							
	10-20 WE 5513A/ND	MEMBER , edge, lower outer, assembly (For spares use 10-20 WE 6371A/ND)	1	—	—	LH3			

MAIN PLANES
WING EXTENSION

Ref. No.	Part No.	Description										No. off	Material Specification	Class of Score or L.M.	Place No.
		1	2	3	4	5	6	7	8	9	10				
12285	10-20 WE 6371A/ND	MEMBER , edge, lower outer, assembly ...										1	---	C	LH3
	10-20 WE 5485A/ND	MEMBER , edge, upper outer, assembly ... (Spares condition)										1	---	---	LH3
12284	10-20 WE 6367A/ND	MEMBER , edge, upper outer, assembly ... (For spares use 10-20 WE 6367A/ND)										1	---	C	LH3
		MEMBER , edge, upper outer, assembly ... (Spares condition)										1	---	C	LH3
		Attachments for 10-20 WE 5451A/1 or 10-20 WE 5452A/1, Fence :—													
28D/13622	AS.1244/7C	Bolt, 2 BA ...										18	---	C	
28D/16951	AS.1244/8C	Bolt, 2 BA ...										13	---	C	
	DHS.447/25	Ferrule, screwed ...										31	---	C	
	—	FUEL SYSTEM (See sub-section QG) ...										—	---	---	LH1
11919	10-20 WE 5683	PLUG , insert, slinging points between ribs Nos. 8 and 9 and between ribs Nos. 10 and 11										2	---	C	LH1
1565	10-20 WE 3061ND	SEAL , aileron, at top skin trailing edge, inboard ...										1	---	C	LH1
	10-20 WE 3063ND	SEAL , aileron, at top skin trailing edge, outboard										1	DTD.590	---	LH1
	—	SERVICES (See sub-sections QD, QG, QN and QV)										—	---	---	LH1
	10-20 WE 5281A/4	STRUCTURE , wing extension, Port, assembly ...										1	---	---	
	10-20 WE 5282A/6	STRUCTURE , wing extension, Starboard, assembly (Mod. 2)										1	---	---	
	—	Spares for :—													
	—	ANGLE , support, boundary, layer fence group (Drg. No. 10-20 WE 5077)										1	---	---	
	10-20 WE 5273ND	ANGLE , attachment, aft portion, boundary layer fence support, Port, inboard (For spares use 10-20 WE 6505ND)										1	L.73	---	LH37
13182	10-20 WE 6505ND	ANGLE , attachment, aft portion, boundary layer fence support, Port, inboard (Spares condition)										1	---	C	
	10-20 WE 5274ND	ANGLE , attachment, aft portion, boundary layer fence support, Starboard, inboard (For spares use 10-20 WE 6506ND)										1	L.73	---	LH37
13183	10-20 WE 6505ND	ANGLE , attachment, aft portion, boundary layer fence support, Starboard, inboard (Spares condition)										1	---	C	
	10-20 WE 5275ND	ANGLE , attachment, aft portion, boundary layer fence support, Port, outboard (For spares use 10-20 WE 6507ND)										1	L.73	---	LH37
13184	10-20 WE 6507ND	ANGLE , attachment, aft portion, boundary layer fence support, Port, outboard (Spares condition)										1	---	C	
	10-20 WE 5275ND	ANGLE , attachment, aft portion, boundary layer fence support, Starboard, outboard (For spares use 10-20 WE 6508ND)										1	L.73	---	LH37
13185	10-20 WE 6508ND	ANGLE , attachment, aft portion, boundary layer fence support, Starboard, outboard (Spares condition)										1	---	C	
		Attachments for 10-20 WE 5273ND, 10-20 WE 5274ND, 10-20 WE 5275ND, or 10-20 WE 5276ND. Angle :—													
	1792	Bolt, 2 BA ...										6	---	C	LH37
28M/1006473	A27/CT	Nut, 2 BA ...										6	---	C	
28W/9419475	SP.15/C	Washer ...										6	---	C	

**MAIN PLANES
WING EXTENSION**

Ref. No.	Part No.	Description	No. off	Material Specification	Class of Store or L.M.	Plate No.			
							1	2	3
5512	10-20 WE 5029A	CAP , access, to pylon, on top skin, leading edge, at rib No. 5, assembly Spares for :—	1	—	P	LH5			
	10-20 WE 5453ND	CABLE , retaining (Make from Ref. No. 28X/5450)	1	W9/1P	LM	LH5			
13169	10-20 WE 5033	LEVER	1	—	C	LH5			
13170	10-20 WE 4035	LEVER , locking	1	—	C	LH5			
13171	10-20 WE 5037	PIN , special, 2 BA	1	—	C	LH5			
13168	10-20 WE 5039	PIN , special, 4 BA	1	—	C	LH5			
13167	10-20 WE 5041	SPRING , 24 SWG	1	—	C	LH5			
3653	10-24 WC 3029A	COVER , access, in leading-edge bottom skin, at front spar, between nose ribs Nos. 4A and 4B, 5 and 6, 6 and 6A, 6A and 7, 7 and 8 (Drg. No. 10-20 WE 6357) Spares for :—	5	—	P	LH11			
28S/9435786	AS.2993/9C 10-20 WC 6979A	SCREW , 2 BA, for handhold	1	—	C				
		COVER , access, in leading-edge bottom skin, at front spar, between nose ribs Nos. 4A and 4B, 5 and 6, 6 and 6A, 6A and 7, 7 and 8 (For spares use 10-20 WE 6985A/ND) (Drg. No. 10-20 WE 3473)	5	—	—	LH11			
17144	10-20 WE 6985A/ND	COVER , access, in leading-edge bottom skin, at front spar, between nose ribs Nos. 4A and 4B, 5 and 6, 6 and 6A, 6A and 7, 7 and 8 (For A/C Serial Nos. XJ478, XJ479, XJ481, XJ483, XJ484 and XJ485) (Spares condition) Attachments for 10-20 WE 3029A or 10-20 WE 6979A, Cover :—	5	—	C				
28D/8307	AS.1242/2C	Bolt, 2BA	10	—	C				
28D/9709461	AS.1242/3C	Bolt, 2 BA	4	—	C				
28D/1007976	AS.1242/4C	Bolt, 2 BA	3	—	C				
28D/1013172	AS.1242/5C	Bolt, 2 BA (at nose rib No. 4B only)	3	—	C				

MAIN PLANES
WING EXTENSION

Ref. No.	Part No.	Description										No. off	Material Specification	Class of Store or L.M.	Plate No.	
		1	2	3	4	5	6	7	8	9	10					

MAIN PLANES
WING EXTENSION

Ref. No.	Part No.	Description	No. off	Material Specification	Class of Store or L.M.	Place No.			
							1	2	3
	10-20 WE 1025A	COVER , access, in leading-edge bottom skin, at front spar, between nose ribs Nos. 8 and 9, assembly (For spares use 10-20 WE 6071A/ND)	1	—	—	LH4			
11180	10-20 WE 6071A/ND	COVER , access, in leading-edge bottom skin, at front spar, between nose ribs Nos. 8 and 9, assembly (Spares condition) Spares for :—	1	—	P				
28S/9435786	AS.2993/9C	SCREW , 2 BA, for handhold	1	—	C				
28D/1007975	AS.1242/1C	Attachments for 10-20 WE 1025A, Cover :—	12	—	C				
28D/1214091	AS.1242/2C	Bolt, 2 BA	8	—	C				
	10-20 WE 1019A	COVER , access, in leading-edge bottom skin, at front spar, between nose ribs Nos. 10 and 10A, and nose ribs Nos. 12 and 13, assembly (For spares use 10-20 WE 6063A/ND)	2	—	—	LH4			
11181	10-20 WE 6063A/ND	COVER , access, in leading-edge bottom skin, at front spar, between nose ribs Nos. 10 and 10A, and nose ribs Nos. 12 and 13, assembly (Spares condition) Spares for :—	2	—	P				
28S/9435786	AS.2993/9C	SCREW , 2 BA, for handhold	1	—	C				
28D/1007975	AS.1242/1C	Attachments for 10-20 WE 1019A, Cover :—	14	—	C				
28D/1214091	AS.1242/2C	Bolt, 2 BA	3	—	C				
	10-20 WE 1023A	COVER , access, in leading-edge bottom skin, at front spar, between nose ribs Nos. 11 and 11A, Port, assembly (For spares use 10-20 WE 6043A/ND)	1	—	—	LH4			
11184	10-20 WE 6043A/ND	COVER , access, in leading-edge bottom skin, at front spar, between nose ribs Nos. 11 and 11A, Port, assembly (Spares condition) Spares for :—	1	—	P				
28S/9435786	AS.2993/9C	SCREW , 2 BA, for handhold	1	—	C				
	10-20 WE 1024A	COVER , access, in leading-edge bottom skin, at front spar, between nose ribs Nos. 11 and 11A, Starboard, assembly (For spares use 10-20 WE 6044A/ND)	1	—	—	LH4			
11185	10-20 WE 6044A/ND	COVER , access, in leading-edge bottom skin, at front spar, between nose ribs Nos. 11 and 11A, Starboard, assembly (Spares condition) Spares for :—	1	—	P				
28S/9435786	AS.2993/9C	SCREW , 2 BA, for handhold	1	—	C				
28D/1007975	AS.1242/1C	Attachments for 10-20 WE 1023A or 10-20 WE 1024A, Cover :—	10	—	C				
28D/1214091	AS.1242/2C	Bolt, 2 BA	7	—	C				

**MAIN PLANES
WING EXTENSION**

Ref. No.	Part No.	Description	No. off	Material Specification	Class of Store or L.M.	Plate No.			
							1	2	3
	10-20 WE 1017A	COVER , access, for compensator, in leading edge, bottom skin, at front spar, between nose ribs Nos. 9A and 10, Port, assembly (For spares use 10-20 WE 6055A/ND)	1	—	—	LH4			
11182	10-20 WE 6055A/ND	COVER , access, for compensator, in leading edge, bottom skin, at front spar, between nose ribs Nos. 9A and 10, Port, assembly (Spares condition) Spares for :—	1	—	P				
28S/9435786	AS.2993/9C 10-20 WE 1018A	SCREW , 2 BA, for handhold COVER , access, for compensator, in leading edge, bottom skin, at front spar, between nose ribs Nos. 9A and 10, Starboard, assembly (For spares use 10-20 WE 6056A/ND)	1 1	— —	C —	LH4			
11183	10-20 WE 6056A/ND	COVER , access, for compensator, in leading edge, bottom skin, at front spar, between nose ribs Nos. 9A and 10, Starboard, assembly (Spares condition) Spares for :—	1	—	P				
28S/9435786	AS.2993/9C	SCREW , 2 BA, for handhold Attachments for 10-20 WE 1017A or 10-20 WE 1018A, Cover :—	1	—	C				
28D/1007975	AS.1242/1C	Bolt, 2 BA:	19	—	C				
28D/1214091	AS.1242/2C	Bolt, 2 BA:	6	—	C				
2622	10-20 WE 1197	COVER , access, in bottom skin, between front and rear spars and ribs Nos. 8 and 9, Port Attachments for 10-20 WE 1197, Cover :—	1	—	P	LH4			
28D/1202334	AS.1242/3E	Bolt, 1/2" BSF:	46	—	C				
2623	10-20 WE 2845A	COVER , access, in bottom skin, between front and rear spars, and ribs Nos. 8 and 9, Starboard, assembly Attachments for 10-20 WE 2845A, Cover :—	1	—	P	LH4			
28D/1202334	AS.1242/3E	Bolt, 1/2" BSF:	46	—	C				
2624	10-20 WE 4489A	COVER , access, in top skin, forward position, between front and rear spars and ribs Nos. 9 and 10, assembly Spares for :—	1	—	P	LH4			
28S/9435787	AS.2993/10C	SCREW , 2 BA, for handhold Attachments for 10-20 WE 4489A, Cover :—	1	—	C				
28D/1013177	AS.1242/2E	Bolt, 1/2" BSF:	16	—	C				
17480	10-20 WE 10013A	COVER , access, in bottom skin, between stringers No. 4 and No. 5, assembly, Port only (Mod. 1122) Spares for :—	1	—	C	LH4			
3808	DHS.869/E	NUT , anchor, 1/2" BSF	4	—	C	LH4			

**MAIN PLANES
WING EXTENSION**

Ref. No.	Part No.	Description	No. off	Material Specification	Class of Store or L.M.	Place No.			
							1	2	3
13650	10-20 WE 6491	COVER , access, in bottom skin, between stringers No. 4 and No. 5, Starboard only (Mod. 499) Attachments for 10-20 WE 10013A or 10-20 WE 6491, Cover :—	1	—	—	LH4			
28D/1013177	AS.1242/2E	Bolt, 1/2" BSF	18	—	C				
2628	10-20 WE 2431A	COVER , booster access, aft position, in bottom skin, between front and rear spars and ribs Nos. 9 and 10, assembly Spares for :—	1	—	C	LH4			
28S/9435787	AS.2993/10C	SCREW , 2 BA, for handhold	1	—	C				
28D/1013177	AS.1242/2E	Attachments for 10-20 WE 2431A, Cover :— Bolt, 1/2" BSF	18	—	C				
2627	10-20 WE 2439A	COVER , booster, access, forward position, in bottom skin, between front and rear spars, and ribs Nos. 9 and 10, assembly Spares for :—	1	—	C	LH4			
28S/9435787	AS.2993/10C	SCREW , 2 BA, for handhold	1	—	C				
28D/8307	AS.1242/2C	Attachments for 10-20 WE 2439A, Cover :— Bolt, 2 BA	12	—	C				
2626	10-20 WE 51	COVER , booster, access, in top skin, aft position, between front and rear spars and ribs Nos. 9 and 10	1	DTD.687	C	LH4			
28D/8307	AS.1242/2C	Attachments for 10-20 WE 51, Cover :— Bolt, 2 BA	12	—	C				
2625	10-20 WE 4501A	COVER , access, auto pilot, in bottom skin forward position, between front and rear spars and ribs Nos. 9 and 10, Port, assembly	1	—	P	LH4			
13612	10-20 WE 4502A	COVER , access, auto pilot, in bottom skin, forward position, between front and rear spars and ribs Nos. 9 and 10, Starboard, assembly Spares for :—	1	—	P	LH4			
28S/9435787	AS.2993/10C	SCREW , 2 BA, for handhold	1	—	C				
28D/1013177	AS.1242/2E	Attachments for 10-20 WE 4501A or 10-20 WE 4502A, Cover :— Bolt, 1/2" BSF	20	—	C				
2629	10-20 WE 519	COVER , access, compass detector unit, in bottom skin, between front and rear spars and ribs Nos. 12 and 13, Port	1	DTD.687	C	LH4			
28D/14967	AS.4563/2C	Attachments for 10-20 WE 519, Cover :— Bolt, 2 BA	14	—	C				
—	—	JOINT , bottom skin, between ribs Nos. 8 and 9, and front and rear spars, Port and Starboard, group (Drg. No. 10-20 WE 1127)	2	—	—	LH6			

RESTRICTED
MAIN PLANES
WING EXTENSION

Ref. No.	Part No.	Description	No. off	Material Specification	Class of Score or L.M.	Plate No.			
							1	2	3
2591	10 WC 5723	BLOCK , capped, at stringers Nos. 5 and 7, bottom skin joint, inboard of rib No. 9	2	L.64	C	LH6			
		Attachments for 10 WC 5723, Block :—							
3240	DHS.382/2E	Bolt, 1/2" BSF (Pre Mod. 360)	1	—	C				
28D/16153	A59/2E	Bolt, 1/2" BSF (Mod. 360)	1	—	C				
28W/9419136	SP.42/E	Washer, tab	1	—	C				
2592	10 WC 5941	Washer, profile	1	DTD.423	C	LH6			
2721	DHS.365/2 1/2 EE	BOLT , 1/2" BSF, at bottom skin joint, between front and rear spars and ribs Nos. 8 and 9	1	—	C				
2722	DHS.365/3 EE	BOLT , 1/2" BSF, at bottom skin joint, between front and rear spars and ribs Nos. 8 and 9	64	—	C				
2723	DHS.365/3 1/2 EE	BOLT , 1/2" BSF, at bottom skin joint, between front and rear spars and ribs Nos. 8 and 9	40	—	C				
2736	DHS.365/4 EE	BOLT , 1/2" BSF, at bottom skin joint, between front and rear spars and ribs Nos. 8 and 9	3	—	C				
2725	DHS.365/4 1/2 EE	BOLT , 1/2" BSF, at bottom skin joint, between front and rear spars and ribs Nos. 8 and 9	51	—	C				
2585	10-20 WE 903	CAPPING , stringer No. 4, bottom skin, at rib No. 8, Port, 18 SWG	1	DTD.687	C	LH6			
2586	10-20 WE 904	CAPPING , stringer No. 4, bottom skin, at rib No. 8, Starboard, 18 SWG	1	DTD.687	C	LH6			
2589	10-20 WE 931	CAPPING , pressing (Required to make capping, stringers Nos. 5 and 7, bottom, at rib No. 8, Port)	2	DTD.687	C	LH6			
2587	10-20 WE 933	CAPPING , pressing (Required to make capping, stringers Nos. 8, 9 and 10, bottom, at rib No. 8, Port)	3	DTD.687	C	LH6			
2590	10-20 WE 932	CAPPING , pressing (Required to make capping, stringers Nos. 5 and 7, bottom, at rib No. 8, Starboard)	2	DTD.687	C	LH6			
2588	10-20 WE 934	CAPPING , pressing (Required to make capping, stringers Nos. 8, 9 and 10, bottom, at rib No. 8, Starboard)	3	DTD.687	C	LH6			
28M/7002430	AGS.2002/E/1	NUT , 1/2" BSF, at bottom skin joint, between front and rear spars and ribs Nos. 8 and 9	156	—	C				
	10-20 WE 6595ND	RING , packing, for aerial, between stringers Nos. 7 and 8, bottom skin, at rib No. 8, Port, 20 SWG Mod. 332)	1	L.72	LM	LH6			
2593	10-20 WE 1191	STRAP , joint, tapered, for stringers Nos. 4, 8, 9 and 10, on bottom skin joint at rib No. 8, Port, 10 SWG	8	L.72	C	LH6			
2594	10-20 WE 1192	STRAP , joint, tapered, for stringers Nos. 4, 8, 9 and 10, on bottom skin joint, at rib No. 8, Starboard, 10 SWG	8	L.72	C	LH6			
2595	10-20 WE 2421	STRAP , joint, tapered, for stringers Nos. 5 and 7, on bottom skin joint, at rib No. 8, Port, 10 SWG	4	L.72	C	LH6			

MAIN PLANES
WING EXTENSION

Ref. No.	Part No.	Description	No. off	Material Specification	Class of Store or L.M.	Place No.			
							1	2	3
2596	10-20 WE 2422	STRAP , joint, tapered for stringers Nos. 5 and 7, on bottom skin joint, at rib No. 8, Starboard, 10 SWG	4	—	C	LH6			
28W/9419405	SP.15/E	WASHER , at bottom skin joint, between front and rear spars and ribs Nos. 8 and 9	120	—	C				
	—	JOINT , leading edge at front spar, rib No. 8, group (Drg. No. 10-20 WE 1595)	1	—	—	LH12			
	10-20 WE 1787	ANGLE , stiffener, front spar joint at rib No. 8, bottom, Port	1	L53	—	LH12			
	10-20 WE 1788	ANGLE , stiffener, front spar joint at rib No. 8, bottom, Starboard	1	L53	—	LH12			
	10-20 WE 1785	ANGLE , stiffener, front spar joint at rib No. 8, top, Port	1	L.53	—	LH12			
	10-20 WE 1786	ANGLE , stiffener, front spar joint at rib No. 8, top, Starboard	1	L.53	—	LH12			
		Attachments for 10-20 WE 1787 or 10-20 WE 1788 or 10-20 WE 1785 or 10-20 WE 1786, Angle :—							
2729	DHS.365/3½C	Bolt, 2 BA	2	—	C	LH12			
28D/16541	A59/5G	Bolt, ½" BSF	1	—	C				
28M/10288	AGS.2001/C/1	Nut, 2 BA	2	—	C				
28M/1006939	A27/GP	Nut, ½" BSF	1	—	C				
28W/9419475	SP.15/C	Washer	2	—	C				
28W/9419476	SP.15/G	Washer	1	—	C				
3413	DHS.365/3½E	BOLT , ½" BSF, skin attachments at front spar and rib No. 8	53	—	C				
26DL/7812	DHS.365/4E	BOLT , ½" BSF, skin attachments at front spar and rib No. 8	2	—	C				
	10-20 WE 2913A	BRACKET , mounting terminal block at joint plate, front spar, assembly Spares for :—	1	—	—	LH12			
28M/9434253	AGS.2007/B/1	NUT , anchor, 4 BA	2	—	C				
28M/13774	AGS.2019/B/1	NUT , anchor, 4 BA	3	—	C				
	10-20 WE 1775	CAPPING , leading-edge stringer No. 1, bottom skin joint at rib No. 8, Port (For spares use 10-20 WE 5725ND)	1	L.73	—	LH12			
10420	10-20 WE 5725ND	CAPPING , leading-edge stringer No. 1 bottom, skin joint at rib No. 8, Port (Spares condition)	1	—	C				
	10-20 WE 1776	CAPPING , leading-edge, stringer No. 1, bottom skin joint at rib No. 8, Starboard (For spares use 10-20 WE 5726ND)	1	L.73	—	LH12			
10421	10-20 WE 5726ND	CAPPING , leading-edge, stringer No. 1, bottom skin joint at rib No. 8, Starboard (Spares condition)	1	—	C				
	10-20 WE 1773	CAPPING , leading-edge, stringer No. 1, top skin joint at rib No. 8, Port (For spares use 10-20 WE 5723ND)	1	L.73	—	LH12			
10418	10-20 WE 5723ND	CAPPING , leading-edge, stringer No. 1, top skin joint at rib No. 8, Port (Spares condition)	1	—	C				
	10-20 WE 1774	CAPPING , leading-edge, stringer No. 1, top skin joint at rib No. 8, Starboard (For spares use 10-20 WE 5724ND)	1	L.73	—	LH12			

MAIN PLANES
WING EXTENSION

Ref. No.	Part No.	Description										No. off	Material Specification	Class of Score or L.M.	Place No.			
		1	2	3	4	5	6	7	8	9	10							
10419	10-20 WE 5724ND														1	—	C	
	10-20 WE 1779														1	L.73	—	LH12
10424	10-20 WE 5729ND														1	—	C	
	10-20 WE 1780														1	L.73	—	LH12
10425	10-20 WE 5730ND														1	—	C	
	10-20 WE 1777														1	L.73	—	LH12
10422	10-20 WE 5727ND														1	—	C	
	10-20 WE 1778														1	L.73	—	LH12
10423	10-20 WE 5728ND														1	—	C	
28D/9436920	A25/1C														1	—	C	
4371	DHS.365/2½C														6	—	C	
1657	DHS.365/3E														2	—	C	
28M/10288	AGS.2001/C/1														7	—	C	
28M/10290	AGS.2001/E/1														2	—	C	
28VV/9419475	SP.15/C														7	—	C	
28VV/9419405	SP.15/E														2	—	C	
	10-20 WE 1783														1	L.73	—	LH12
10416	10-20 WE 5695ND														1	—	C	
	10-20 WE 1784														1	L.73	—	LH12
10417	10-20 WE 5696ND														1	—	C	
	10-20 WE 1781														1	L.73	—	LH12

MAIN PLANES
WING EXTENSION

Ref. No.	Part No.	Description	No. off	Material Specification	Class of Score or L.M.	Plate No.			
							1	2	3
10414	10-20 WE 5697ND	CAPPING , leading-edge, stringer No. 3, top skin joint at rib No. 8, Port (Spares condition)	1	—	C				
	10-20 WE 1782	CAPPING , leading-edge, stringer No. 3, top skin joint at rib No. 8, Starboard (For spares use 10-20 WE 5698ND)	1	L.73	—	LH12			
10415	10-20 WE 5698ND	CAPPING , leading-edge, stringer No. 3, top skin joint at rib No. 8, Starboard (Spares condition)	1	—	C				
		Attachments for 10-20 WE 1783 or 10-20 WE 1784 or 10-20 WE 1781 or 10-20 WE 1782, Capping :—							
28D/9436920	A25/1C	Bolt, 2 BA	1	—	C				
4371	DHS.365/2;C	Bolt, 2 BA	8	—	C				
1657	DHS.365/3E	Bolt, 1" BSF	2	—	C				
28M/10288	AGS.2001/C:1	Nut, 2 BA	9	—	C				
28M/10290	AGS.2001/E:1	Nut, 1" BSF	2	—	C				
28W/9419475	SP.15/C	Washer	7	—	C				
28W/9419404	SP.16/C	Washer	2	—	C				
28W/9419405	SP.15/E	Washer	2	—	C				
	10-20 WE 1771	PLATE , shear, front spar joint at rib No. 8, Port, 16 SWG	1	DTD.687	—	LH12			
	10-20 WE 1772	PLATE , shear, front spar joint at rib No. 8, Starboard, 16 SWG	1	DTD.687	—	LH12			
		Attachments for 10-20 WE 1771 or 10-20 WE 1772, Plate :—							
10971	DHS.201/1;E	Bolt; 1/2" BSF	28	—	C				
	OR								
26DL/15903	DHS.1001/1;EE	Bolt; 1/2" BSF	9	—	C				
1123	DHS.201/2E								
	OR	Nut; 1/2" BSF	37	—	C				
26DL/15904	DHS.1001/2EE								
26DV/7310	DHS.202/E	Washer	37	—	C				
	OR								
2227	DHS.983/E								
28W/9419405	SP.15/E								
	10-20 WE 2183A	RIB , nose No. 8, Port, assembly (For spares use 10-20 WE 6011A/ND)	1	—	—	LH12			
11338	10-20 WE 6011A/ND	RIB , nose No. 8, Port, assembly (Spares condition)	1	—	P	LH12			
	10-20 WE 2185A	RIB , nose No. 8, Starboard, assembly (For spares use 10-20 WE 6013A/ND)	1	—	—	LH12			
11339	10-20 WE 6013A/ND	RIB , nose, No. 8, Starboard, assembly (Spares condition)	1	—	P	LH12			
		Spares for :—							
	10-20 WE 2295ND	ANGLE , stiffener, aft, 18 SWG	1	L.72	—	LH12			
	10-20 WE 2297ND	ANGLE , stiffener, forward, 18 SWG	1	L.72	—	LH12			
	10-20 WE 1744	BRACKET , stringer, Nos. 1, 2 and 3, bottom, 18 SWG	3	L.73	—	LH12			
	10-20 WE 1743	BRACKET , stringer, Nos. 1, 2 and 3, top, 18 SWG	3	L.73	—	LH12			
	10-20 WE 667	PLATE , reinforcing, outboard face of rib (For spares use 10-20 WE 5887ND)	1	L.73	—	LH12			
	10-20 WE 5887ND	PLATE , reinforcing, outboard face of rib (Spares condition)	1	L.73	—				

RESTRICTED
MAIN PLANES
WING EXTENSION

Ref. No.	Part No.	Description	No. off	Material Specification	Class of Store or L.M.	Plate No.			
							1	2	3
	10-20 WE 2199ND 10-20 WE2201ND	PRESSING , nose rib, Port, 18 SWG ... PRESSING , nose rib, Starboard, 18 SWG ...	1 1	— —	— —	LH12 LH12			
		Attachments for 10-20 WE 2183 A or 10-20 WE 2185A, Rib :—							
2724	DHS.365/2½E	Bolt, ½" BSF	26	—	C				
1657	DHS.365/3E	Bolt, ½" BSF	22	—	C				
2731	DHS.901/2GG	Bolt, ½" BSF	2	—	C				
28M/10290	AGS.2001/E/1	Nut, ½" BSF	48	—	C				
28M/10283	AGS.2001/G/3	Nut, ½" BSF	2	—	C				
28W/9419405	SP.15/E	Washer	48	—	C				
28W/9419476	SP.15/G	Washer	2	—	C				
2597	10-20 WE 1789	STIFFENER , web, front spar joint at rib No. 8, Port	1	—	C	LH12			
2598	10-20 WE 1790	STIFFENER , web, front spar joint at rib No. 8, Starboard	1	—	C	LH12			
28W/9419405	SP.15/E	WASHER , skin attachment at front spar and rib No. 8	55	—	C				
	—	JOINT , rear spar and shroud, between ribs Nos. 8 and 9 Port and Starboard group (Drg. No. 10-20 WE 1593)	2	—	—	LH8			
	10-20 WE 1181	ANGLE , reinforcing, L.G., at rear spar joint, rib No. 8	1	—	—	LH8			
	10-20 WE 1182	ANGLE , reinforcing R.H., at rear spar joint, rib No. 8	1	—	—	LH8			
		Attachments for 10-20 WE 1181 or 10-20 WE 1182, Angle :— To rear spar :—							
28D/16614	A59/4G	Bolt, ½" BSF	3	—	C				
28D/16541	A59/5G	Bolt, ½" BSF	3	—	C				
28M/1011470	A27/GT	Nut, ½" BSF	6	—	C				
28W/9419476	SP.15/G	Washer	3	—	C				
28W/9419488	SP.16/G	Washer	3	—	C				
		To skin :—							
2736	DHS.365/4EE	Bolt, ½" BSF	4	—	C				
2725	DHS.365/4½EE	Bolt, ½" BSF	10	—	C				
28M/12931	A27/ET	Nut, ½" BSF	14	—	C				
28W/9419405	SP.15/E	Washer	13	—	C				
28W/9418920	SP.10/E	Washer	1	—	C				
2615	10-20 WE 1801A	BRACKET , shroud attachment, at top skin joint, rib No. 8, assembly	1	—	C	LH8			
2614	10-20 WE 1803A	BRACKET , shroud attachment, at bottom skin joint, rib No. 8, assembly	1	—	C	LH8			
		Attachments for 10-20 WE 1801A or 10-20 WE 1803A, Bracket :—							
28D/9436920	A25/1C	Bolt, 2 BA	2	—	C				
28D/1011238	A25/3E	Bolt, ½" BSF	1	—	C				
28D/1008151	A25/4E	Bolt, ½" BSF	1	—	C				
28M/10288	AGS.2001/C/1	Nut, 2 BA	2	—	C				
28M/12928	A27/EP	Nut, ½" BSF	2	—	C				
28W/9419405	SP.15/E	Washer	1	—	C				
28W/9419487	SP.16/E	Washer	1	—	C				

**MAIN PLANES
WING EXTENSION**

Ref. No.	Part No.	Description										No. off	Material Specification	Class of Store or L.M.	Plate No.	
		1	2	3	4	5	6	7	8	9	10					
2613	10-20 WE 1115A											COVER , access, on rear spar, at rib No. 8, Port, assembly	1	—	C	LH8
10328	10-20 WE 1116A											COVER , access, on rear spar, at rib No. 8, Starboard, assembly Attachments for 10-20 WE 1115A or 10-20 WE 1116A, Cover :—	1	—	C	LH8
2733	DHS.901/3GG											Bolt, 1/8" BSF	15	—	C	
2734	DHS.901/4GG											Bolt, 1/8" BSF	4	—	C	
2735	DHS.901/6GG											Bolt, 1/8" BSF	2	—	C	
	DHS.901/3JJ											Bolt, 3/8" BSF	1	—	—	
	10-20 WE 1797											PLATE , shroud, top skin joint, at rib No. 8, 16 SWG	1	L.73	LM	LH8
	10-20 WE 1799											PLATE , shroud, bottom skin joint, at rib No. 8, 16 SWG	1	L.73	LM	LH8
	—											JOINT , top skin, between ribs No. 8 and 9 and front and rear spars, Port and Starboard, group (Drg. No. 10-20 WE 849)	2	—	—	LH7
2583	10-20 WE 1189											BLOCK , packing, tapered, at stringers Nos. 4, 5, 6, 7, 8, 9, 10, 11, top skin joint, rib No. 8, Port, 10 SWG	16	—	C	LH7
2584	10-20 WE 1190											BLOCK , packing, tapered, at stringers Nos. 4, 5, 6, 7, 8, 9, 10, 11, top skin joint, rib No. 8, Starboard, 10 SWG	16	—	C	LH7
2721	DHS.365/2EE											BOLT , 1/2" BSP, top skin attachment, at skin joint, outboard of rib No. 8	65	—	C	
2722	DHS.365/3EE											BOLT , 1/2" BSP, top skin attachment, at skin joint, outboard of rib No. 8	48	—	C	
2725	DHS.365/4EE											BOLT , 1/2" BSP, top skin attachment, at skin joint, outboard of rib No. 8	16	—	C	
	10-20 N 2579A											BRACKET , terminal block mounting, top skin joint at rib No. 8, outboard, between stringers Nos. 6 and 7, Port, assembly	1	—	—	LH7
	10-20 N 2581ND											BRACKET , bare, Port, 20 SWG	1	L.72	LM	LH7
	10-20 N 2580A											BRACKET , terminal block mounting, top skin joint at rib No. 8, outboard, between stringers Nos. 6 and 7, Starboard, assembly	1	—	—	LH7
	10-20 N 2582ND											BRACKET , bare, Starboard, 20 SWG	1	L.72	LM	LH7
	10-20 WE 1667											BRACKET , "P" clip attachment, at stringer No. 7, top skin, between ribs Nos. 8 and 9, 20 SWG	1	L.72	LM	LH7
2579	10-20 WE 851											CAPPING , pressing (Required to make capping, stringers Nos. 4, 5, 6, 7 and 8, top, at rib No. 8, Port)	5	—	C	LH7
2580	10-20 WE 852											CAPPING , pressing (Required to make capping, stringers Nos. 4, 5, 6, 7 and 8, top, at rib No. 8, Starboard)	5	—	C	LH7
2581	10-20 WE 853											CAPPING , pressing (Required to make capping, stringers Nos. 9, 10 and 11, top, at rib No. 8, Port)	3	—	C	LH7
2582	10-20 WE 854											CAPPING , pressing (Required to make capping, stringers Nos. 9, 10 and 11, top, at rib No. 8, Starboard)	3	—	C	LH7
28M/12931	A27/ET											NUT , 1/2" BSP, top skin attachment at skin joint, outboard of rib No. 8	129	—	C	
	10-20 WE 5009ND											WASHER , support, top skin attachment, at skin joint, outboard of rib No. 8, 12 SWG	16	DTD.746	LM	LH7
	10-20 WE 5299A											LEADING-EDGE , ribs Nos. 4A to 8, Port, assembly (For spares use 10-20 WE 10431A ND) (Pre Mod. 399)	1	—	—	LH9

**MAIN PLANES
WING EXTENSION**

Ref. No.	Part No.	Description										No. off	Material Specification	Class of Store or L.M.	Plate No.
		1	2	3	4	5	6	7	8	9	10				
18789	10-20 WE 10431A/ND	LEADING-EDGE , ribs Nos. 4A to 8, Port, assembly (Spares condition) (Pre Mod. 339, Mod. 827)										1	—	P	
	10-20 WE 5300A	LEADING-EDGE , ribs Nos. 4A to 8, Starboard, assembly (For spares use 10-20 WE 10432A/ND) (Pre Mod. 399)										1	—	—	LH9
18790	10-20 WE 10432A/ND	LEADING-EDGE , ribs Nos. 4A to 8, Starboard, assembly (Spares condition) (Pre Mod. 399, Mod. 827)										1	—	P	
14255	10-20 WE 6313A	LEADING-EDGE , ribs Nos. 4A to 8, Port, assembly (For spares use 10-20 WE 10535A/ND) (Mod. 399, Pre Mod. 827)										1	—	—	LH9
	10-20 WE 10535A/ND	LEADING-EDGE , ribs Nos. 4A to 8, Port, assembly (Spares condition) (Mod. 1232)										1	—	P	
	10-20 WE 10141A	LEADING-EDGE , ribs Nos. 4A to 8, Port, assembly (Mod. 827) (For spares use 10-20 WE 10353A/ND Pre Mod. 1232 or 10-20 WE 10473A/ND Mod. 1232)										1	—	—	LH9A
18447	10-20 WE 10353A/ND	LEADING-EDGE , ribs Nos. 4A to 8, Port, assembly (Spares condition) (Pre Mod. 1232)										1	—	P	
18814	10-20 WE 10473A/ND	LEADING-EDGE , ribs Nos. 4A to 8, Port, assembly (Spares condition) (Mod. 1232)										1	—	P	
14256	10-20 WE 6314A	LEADING-EDGE , ribs Nos. 4A to 8, Starboard, assembly (For spares use 10-20 WE 10536A/ND) (Mod. 399, Pre Mod. 827)										1	—	—	LH9
	10-20 WE 10536A/ND	LEADING-EDGE , ribs Nos. 4A to 8, Starboard, assembly (Spares condition) (Mod. 1133)										1	—	P	
	10-20 WE 10142A	LEADING-EDGE , ribs Nos. 4A to 8, Starboard, assembly (Mod. 827) (For spares use 10-20 WE 10354A/ND Pre Mod. 1133 or 10-20 WE 10474A/ND Mod. 1133)										1	—	—	LH9A
18448	10-20 WE 10354A/ND	LEADING-EDGE , ribs Nos. 4A to 8, Starboard, assembly (Spares condition) (Pre Mod. 1133)										1	—	P	
18876	10-20 WE 10474A/ND	LEADING-EDGE , ribs Nos. 4A to 8, Starboard, assembly (Spares condition) (Mod. 1133) Spares for :—										1	—	P	
	10-20 WE 2771	ANGLE , attachment, aileron control mounting bracket between nose ribs Nos. 5 and 6 and 6A and 7 inboard and outboard, 16 SWG										4	L.73	LM	LHA9 LH14
	10-20 WE 6345	ANGLE , bottom skin, aft stringer reinforcing, between nose ribs Nos. 4B and 5, Port (Mod. 399) (For spares use 10-20 WE 6793ND)										1	L.65	—	LH10
15249	10-20 WE 6793ND	ANGLE , bottom skin, aft stringer reinforcing, between nose ribs Nos. 4B and 5, Port (Mod. 399) (Spares condition)										1	—	C	
	10-20 WE 6346	ANGLE , bottom skin, aft stringer reinforcing, between nose ribs Nos. 4B and 5, Starboard (Mod. 399) (For spares use 10-20 WE 6794ND)										1	L.65	—	LH10
15250	10-20 WE 6794ND	ANGLE , bottom skin, aft stringer reinforcing, between nose ribs Nos. 4B and 5, Starboard (Mod. 399) (Spares condition)										1	—	C	

MAIN PLANES
WING EXTENSION

Ref. No.	Part No.	Description	No. off	Material Specification	Class of Store or L.M.	Plate No.			
							1	2	3
14267	10-20 WE 6343	BOLT, 2 BA, access door fastener in bottom skin, between nose ribs Nos. 4B and 5 (Drg. No. 10-20 WE 6327)	5	—	C	LH10			
	10-20 WE 5347	BRACKET, mounting aileron control bracket, between nose ribs Nos. 5 and 6, inboard, Port (Mod. 7) 16 SWG	1	L.73	LM	LH9A			
	10-20 WE 5345	BRACKET, mounting aileron control bracket, between nose ribs Nos. 5 and 6, outboard, Port (Mod. 7) 16 SWG	1	L.73	LM	LH9A			
	10-20 WE 5348	BRACKET, mounting aileron control bracket, between nose ribs Nos. 5 and 6, inboard, Starboard (Mod. 7) 16 SWG	1	L.73	LM	LH9H			
	10-20 WE 5346	BRACKET, mounting aileron control bracket, between nose ribs Nos. 5 and 6, outboard, Starboard (Mod. 7) 16 SWG	1	L.73	LM	LH9A			
	10-20 WE 3137	BRACKET, mounting aileron control bracket, between nose ribs Nos. 6A and 7, inboard, Port, 16 SWG	1	L.73	LM	LH9 LH9A			
	10-20 WE 3135	BRACKET, mounting aileron control bracket, between nose ribs Nos. 6A and 7, outboard, Port 16 SWG	1	L.73	LM	LH9 LH9A			
	10-20 WE 3138	BRACKET, mounting aileron control bracket, between nose ribs Nos. 6A and 7, inboard, Starboard, 16 SWG	1	L.73	LM	LH9 LH9A			
	10-20 WE 3136	BRACKET, mounting aileron control bracket, between nose ribs Nos. 6A and 7, outboard, Starboard, 16 SWG	1	L.73	LM	LH9 LH9A			
13447	10-20 P 3675A	BRACKET, mounting relief valve, pylon drop tank pressurisation system, Port, assembly (Drg. No. 10-20 WE 6313)	1	—	C	LH10			
13448	10-20 P 3676A	BRACKET, mounting relief valve, pylon drop tank pressurisation system, Starboard, assembly (Drg. No. 10-20 WE 6314)	1	—	C	LH10			
	10-20 P 3585ND	Spares for :— STRIP, anti-chafing, $\frac{1}{8}$ " thick Attachments for 10-20 P 3675A or 10-20 P 3676A, Bracket :—	1	DTD.762	LM	LH10			
28D/9436920	A25/1C	Bolt, 2 BA	2	—	C				
28W/9419402	SP.13/C	Washer	2	—	C				
12868	10-20 WE 5285	BRACKET, stringer extension, centre bottom skin, between nose ribs Nos. 4B and 5, Port (Mod. 7, Pre Mod. 399)	1	—	C	LH10			
	10-20 WE 6335A	BRACKET, stringer extension, centre bottom skin, between nose ribs Nos. 4B and 5, Port, assembly (For spares use 10-20 WE 6797A,ND) (Mod. 399)	1	—	—	LH10			
15251	10-20 WE 6797A/ND	BRACKET, stringer extension, centre bottom skin, between nose ribs Nos. 4B and 5, Port, assembly (Spares condition)	1	—	—				
12869	10-20 WE 5286	BRACKET, stringer extension, centre bottom skin, between nose ribs Nos. 4B and 5, Starboard (Mod. 7, Pre Mod. 399)	1	—	C	LH10			

MAIN PLANES
WING EXTENSION

Ref. No.	Part No.	Description	No. off	Material Specification	Class of Store or L.M.	Plate No.			
							1	2	3
	10-20 WE 6336A	BRACKET , stringer extension, centre bottom skin, between nose ribs Nos. 4B and 5, Starboard, assembly (For spares use 10-20 WE 6798A/ND) (Mod. 399)	1	—	—	LH10			
15252	10-20 WE 6798A/ND	BRACKET , stringer extension, centre bottom skin, between nose ribs Nos. 4B and 5, Starboard, assembly (Spares condition)	1	—	C				
	10-20 WE 6339A	BRACKET , stringer extension, forward bottom skin, between nose ribs Nos. 4B and 5, Port, assembly (For spares use 10-20 WE 6795A/ND) (Mod. 399)	1	—	—	LH10			
15253	10-20 WE 6795A/ND	BRACKET , stringer extension, forward bottom skin, between nose ribs Nos. 4B and 5, Port, assembly (Spares condition)	1	—	C				
	10-20 WE 6340A	BRACKET , stringer extension, forward bottom skin, between nose ribs Nos. 4B and 5, Starboard, assembly (For spares use 10-20 WE 6796A/ND) (Mod. 399)	1	—	—	LH10			
15254	10-20 WE 6796A/ND	BRACKET , stringer extension, forward bottom skin, between nose ribs Nos. 4B and 5, Starboard, assembly (Spares condition)	1	—	C				
	10-20 WE 3177A	DOOR , access in bottom skin, between nose ribs Nos. 4B and 5, assembly (For spares use 10-20 WE 6051A/ND) (Pre Mod. 399)	1	—	—	LH10			
11119	10-20 WE 6051A/ND	DOOR , access in bottom skin, between nose ribs Nos. 4B and 5, assembly (Spares condition) Spares for :—	1	—	C				
	10-20 WE 3189A/ND	DOOR , welded assembly	1	—	—				
28FP/989	DZUS EF5/50A/DS	FASTENER	2	—	C	LH10			
	10-20 WE 3185ND	HINGE , door (For spares use 10-20 WE 6053ND)	1	—	—	LH10			
	10-20 WE 6053ND	HINGE , door (Make from AS.1879) (Spares condition)	1	L.72	LM				
	10-20 WE 3187ND	PACKING , hinge, 16 SWG	1	L.72	LM	LH10			
	10-20 WE 3183ND	SEAL (Make from "Bonnet" tape, Ref. No. 26FY/2573)	1	—	LM	LH10			
	10-20 WE 10451A	DOOR , access in bottom skin, between nose ribs Nos. 4B and 5, Port, assembly (For spares use 10-20 WE 10373A/ND) (Mod. 1232)	1	—	—	LH10			
18815	10-20 WE 10373A/ND	DOOR , access in bottom skin, between nose ribs Nos. 4B and 5, Port, assembly (Spares condition)	1	—	P				
	10-20 WE 10452A	DOOR , access in bottom skin, between nose ribs Nos. 4B and 5, Starboard, assembly (For spares use 10-20 WE 10374A/ND) (Mod. 1133)	1	—	—	LH10			

MAIN PLANES
WING EXTENSION

Ref. No.	Part No.	Description										No. off	Material Specification	Class of Store or L.M.	Place No.
		1	2	3	4	5	6	7	8	9	10				
18877	10-20 WE 10374A/ND	DOOR, access in bottom skin, between nose ribs Nos. 4B and 5, Starboard, assembly (Spares condition)										1	—	P	
	10-20 WE 6415A/ND	HINGE, assembly										1	—	—	LH10
	10-20 WE 6413ND	HINGE, aft half (Make from Ref. No. 28N/16453)										1	L.72	LM	LH10
	10-20 WE 6411ND	HINGE, forward half, 18 SWG (Make from Ref. No. 28N/16453)										1	L.72	LM	LH10
	—	PIN, 14 SWG										1	S.92	LM	
	10-20 N 23335	LABEL, "KEY TO PLUG SJ," Port, 20 SWG										1	L.72	LM	LH10
	10-20 N 23219	LABEL, "KEY TO PLUG XJ," Starboard, 20 SWG										1	L.72	LM	LH10
	—	MOUNTINGS, wide band homer radar, Port and Starboard installation (Drg. Nos. 10-20 WE 10113 and 10-20 WE 10114) (Mod. 827)										2	—	—	
18468	10-20 WE 10215	BOLT, locking										2	—	C	LH57
28M/1007404	A27/JT	Attachments for 10-20 WE 10215, Bolt :— Nut, 3" BSF										2	—	C	
18470	10-20 WE 10041A	BRACKET, mounting, aerial, Port, assembly										1	—	C	LH57
18470	10-20 WE 10042A	BRACKET, mounting, aerial, Starboard, assembly										1	—	C	LH57
		Spares for :—													
18481	10-20 F 8151A	BRACKET, catch, assembly										1	—	C	LH57
		Spares for :—													
	10-20 F 8103	BOLT, catch, special (Drg. No. 10-20 F 8149A)										1	—	—	LH57
18490	10-20 F 8143	LATCH										1	—	C	LH57
	S. G. BROWN														
	S.A.T.R./A.76805A														
28P/1006943	SP.9/C6	NUT, special										1	—	—	LH57
28W/9128188	SP.55/E	PIN, split										1	—	C	
		WASHER, double spring										1	—	C	
		Attachments for 10-20 F 8151A, Bracket :—													
28D/9137409	AS.1246/2C	Bolt, 2 BA										2	—	C	
28M/1006473	A27/CT	Nut, 2 BA										2	—	C	
28W/9419402	SP.13/C	Washer										2	—	C	
18472	10-20 WE 10045	MOUNTING, aerial, Port										1	—	C	LH57
18473	10-20 WE 10047	MOUNTING, aerial, Starboard										1	—	C	LH57
18471	10-20 WE 10043	PIN, locating										1	—	C	LH57
		Attachments for 10-20 WE 10043, Pin :—													
28M/10328	AGS.2002/C/1	Nut, 2 BA										1	—	C	
28W/9419402	SP.13/C	Washer										1	—	C	
18475	10-20 WE 10055	PLATE, mounting, aerial, Port										1	—	C	LH57
18476	10-20 WE 10057	PLATE, mounting, aerial, Starboard										1	—	C	LH57
18474	10-20 WE 10207	PLATE, nut										4	—	C	LH57
18477	10-20 WE 10059	PLATE, side, R.H., Port										1	—	C	LH57
18478	10-20 WE 10060	PLATE, side, L.H., Starboard										1	—	C	LH57
18479	10-20 WE 10061	PLATE, side, L.H., Port										1	—	C	LH57
18480	10-20 WE 10062	PLATE, side, R.H., Starboard										1	—	C	LH57
	10-20 WE 10233ND	STRIP, Burley rubber, 1" dia. x 1/16" slot x 3"0 long (Make from Ref. No. 32C/600)										1	—	LM	LH57
		Attachments for 10-20 WE 10041A or 10-20 WE 10042A, Bracket :—													
28D/9140645	A.25/10C	Bolt, 2 BA										4	—	C	

MAIN PLANES
WING EXTENSION

Ref. No.	Part No.	Description	No. off										Material Specification	Class of Score or L.M.	Plate No.		
			1	2	3	4	5	6	7	8	9	10					
18456	10-20 WE 10153	BRACKET, test plug, outboard rib No. 6 ...												1	—	C	LH57
	10-20 WE 10225A/ND	CORD, at access door, assembly ...												1	—	—	LH57
	10-20 WE 10143ND	CORD, black nylon, $\frac{3}{32}$ " dia. x 10"-0 long												QR	—	LM	LH57
26FN/3374	DHS.180 Mk.2/X	TAG												2	—	C	LH57
	10-20 WE 10099A	DIAPHRAGM, between ribs Nos. 6 and 6A, Port (For spares use 10-20 WE 10519A/ND)												1	—	—	LH57
19005	10-20 WE 10519A/ND	DIAPHRAGM, between ribs Nos. 6 and 6A, Port (Spares condition)												1	—	C	
	10-20 WE 10100A	DIAPHRAGM, between ribs Nos. 6 and 6A, Starboard (For spares use 10-20 WE 10520A/ND)												1	—	—	LH57
19006	10-20 WE 10520A/ND	DIAPHRAGM, between ribs Nos. 6 and 6A, Starboard (Spares condition)												1	—	C	
28M/11957	AGS.2007/C/1	NUT, anchor, 2 BA ...												4	—	C	
	10-20 WE 10227A/ND	NUT, wing, assembly ...												1	—	—	LH57
	10-20 WE 10219ND	CORD, black nylon, $\frac{3}{32}$ " dia. x 15"-0 long												QR	—	LM	LH57
	10-20 WE 10209	CORD, wing (Make from Ref. No. 28M/802)												2	—	LM	LH57
28S/1200055	A33/A6	SCREW, 6 BA ...												2	—	C	
26FN/3374	DHS.180 Mk.2/X	TAG												1	—	C	LH57
18466	10-20 WE 10421A/ND	PAD, and cap, rib No. 6, assembly ...												1	—	C	LH57
		Spares for :—															
17921	10-20 WE 10217	PLATE, spring												1	—	C	LH57
7193	DHS.964/2C	Attachments for 10-20 WE 10421A/ND, Pad :—															
28M/10288	AGS.2001/C/1	Bolt; 2 BA												1	—	C	
28VV/9419402	SP.13/C	Nut; 2 BA												1	—	C	
		Washer												1	—	C	
18459	10-20 WE 10109A	PANEL, access, between ribs Nos. 6 and 6A, assembly												1	—	C	LH57
		Spares for :—															
28D/8307	AS.1242/2C	BOLT, 2 BA												2	—	C	
18460	10-20 WE 10173ND	CAP, retaining...												1	—	C	LH57
28FP/9156562	DZUS.AJ5/40	FASTENER												2	—	C	LH57
28FP/1200136	DZUS.GA5-375	GROMMET												2	—	C	LH57
28M/10328	AGS.2002/C/1	NUT, 2 BA												2	—	C	
28VV/9419402	SP.13/C	WASHER												2	—	C	
19160	10-20 WE 10563A	PLATE, cover, between rib Nos. 6 and 6A, assembly (Mod. 5114) (Fit when wide band homer equipment is not fitted (Special order only) (Pre Mod. 5160)												1	—	C	LH57
19786	10-20 WE 10631A	PLATE, cover, between rib Nos. 6 and 6A, assembly (Mod. 5160) (Fit when wide band homer equipment is not fitted (Special order only)												1	—	C	LH57
		Attachments for 10-20 WE 10563A, or 10-20 WE 10631A, Plate :—															
28D/8307	AS.1242/2C	Bolt; 2 BA												12	—	C	
18464	10-20 WE 10155	PLATE, stud, outboard rib No. 6 ...												2	—	C	LH57
18463	10-20 WE 10121A	SPIGOT, between ribs Nos. 6 and 6A, assembly												2	—	C	LH57
		Attachments for 10-20 WE 10121A, Spigot :—															
28D/8307	AS.1242/2C	Bolt; 2 BA												8	—	C	
28M/10288	AGS.2001/C/1	Nut; 2 BA												8	—	C	
28VV/9419402	SP.13/C	Washer												8	—	C	

MAIN PLANES
WING EXTENSION

Ref. No.	Part No.	Description	No. off	Material Specification	Class of Store or L.M.	Plate No.			
							1	2	3
	10-20 N 23335	LABEL, 20 SWG	1	L.72	LM				
2574	10-20 WE 3191	PANEL, access in bottom skin, between nose ribs Nos. 5 and 6 Attachments for 10-20 WE 3191, Panel :—	1	—	C	LH11			
28D/9709461	AS.1242/3C	Bolt, 2 BA	12	—	C				
28M/10226	AGS.2009/C/3	Nut, anchor, 2 BA	12	—	C				
	DHS.877/C/16	Plate, packing (Mod. 7) 16 SWG	6	L.72	LM	LH11			
2577	10-20 WE 3217ND	PLATE, detachable, top skin, forward inboard corner, Port, 16 SWG	1	—	C	LH11			
2578	10-20 WE 3218ND	PLATE, detachable, top skin, forward inboard corner, Starboard, 16 SWG Attachments for 10-20 WE 3217ND or 10-20 WE 3218ND, Plate :—	1	—	C	LH11			
28D/1007975	AS.1242/1C	Bolt, 2 BA	3	—	C				
16188	10-20 WE 6821	Bolt, 2 BA	3	—	C	LH11			
	10-20 WE 3207	PLATE, reinforcing access panel in bottom skin, between nose ribs Nos. 4A and 4B, Port	1	L.71	—	LH11			
	10-20 WE 3208	PLATE, reinforcing access panel in bottom skin, between nose ribs Nos. 4A and 4B, Starboard	1	L.72	—	LH11			
18482	10-20 WE 10229ND	PLATE, reinforcing, bottom skin at tank pylon, Port (Mod. 827)	1	—	C	LH11			
18483	10-20 WE 10230ND	PLATE, reinforcing, bottom skin at tank pylon, Starboard (Mod. 827)	1	—	C	LH11			
	10-20 WE 2795A	RIB, nose No. 4B, Port, assembly (For spares use 10-20 WE 10477A/ND) (Pre Mod. 399)	1	—	—	LH9 LH11			
18510	10-20 WE 10477A/ND	RIB, nose No. 4B, Port, assembly (Spares condition) (Pre Mod. 399) (Mod. 1131)	1	—	P				
	10-20 WE 2796A	RIB, nose No. 4B, Starboard, assembly (For spares use 10-20 WE 10478A/ND) (Pre Mod. 399)	1	—	—	LH9 LH11			
18511	10-20 WE 10478A/ND	RIB, nose No. 4B, Starboard, assembly (Spares condition) (Pre Mod. 399) (Mod. 1131) Spares for :—	1	—	P				
	10-20 WE 6421A	RIB, nose, No. 4B, Port, assembly (For spares use 10-20 WE 10479A/ND) (Mod. 399)	1	—	—	LH9A			

MAIN PLANES
WING EXTENSION

Ref. No.	Part No.	Description	No. off	Material Specification	Class of Store or L.M.	Plate No.			
							1	2	3
18512	10-20 WE 10479A/ND	RIB, nose No. 4B, Port, assembly (Spares condition) (Mod. 1131)	1	—	P				
	10-20 WE 6422A	RIB, nose No. 4B, Starboard, assembly (For spares use 10-20 WE 10480A/ND) (Mod. 399)	1	—	—	LH9A			
18513	10-20 WE 10480A/ND	RIB, nose, No. 4B, Starboard, assembly (Spares condition) (Mod. 1131)	1	—	P				
	10-20 WE 6419	BRACKET, stringer attachment aft, lower, Port, 18 SWG	1	L.72	—	LH11			
	10-20 WE 6420	BRACKET, stringer attachment aft, lower, Starboard, 18 SWG	1	L.72	—	LH11			
	10-20 WE 2835	BRACKET, stringer attachment centre lower, Port, centre and aft upper, Starboard, 18 SWG	3	L.72	—	LH11			
	10-20 WE 2836	BRACKET, stringer attachment centre and aft upper, Port, centre lower, Starboard, 18 SWG	3	L.72	—	LH11			
	10-20 WE 2803ND	PLATE, flanged web, Port, 18 SWG	1	L.73	—	LH9A			
	10-20 WE 2804ND	PLATE, flanged web, Starboard, 18 SWG	1	L.73	—	LH9A			
	10-20 WE 2801ND	PLATE, reinforcing, Port, 18 SWG	1	L.72	—	LH9A			
	10-20 WE 2802ND	PLATE, reinforcing, Starboard, 18 SWG	1	L.72	—	LH9A			
	10-20 WE 5341A	RIB, nose, No. 6, Port, assembly (For spares use 10-20 WE 6687A/ND) (Mod. 7) (Pre Mod. 827)	1	—	—	LH9			
14667	10-20 WE 6687A/ND	RIB, nose, No. 6, Port, assembly (Spares condition)	1	—	P				
	10-20 WE 10117A	RIB, nose, No. 6, Port, assembly (For spares use 10-20 WE 10351A/ND) (Mod. 827)	1	—	—	LH9A			
18453	10-20 WE 10351A/ND	RIB, nose, No. 6, Port, assembly (Spares condition) Spares for :—	1	—	C				
18455	10-20 WE 10171ND	RIBLET, nose	1	—	C	LH9A			
	10-20 WE 5342A	RIB, nose, No. 6, Starboard, assembly (For spares use 10-20 WE 6688A/ND) (Mod. 7) (Pre Mod. 827)	1	—	—	LH9			
14668	10-20 WE 6688A/ND	RIB, nose, No. 6, Starboard, assembly (Spares condition)	1	—	P				
	10-20 WE 10118A	RIB, nose, No. 6, Starboard, assembly (For spares use 10-20 WE 10352A/ND) (Mod. 827)	1	—	—	LH9A			
18454	10-20 WE 10352A/ND	RIB, nose, No. 6, Starboard, assembly (Spares condition) Spares for :—	1	—	C				
	10 WC 3409	PLATE, reinforcing, aft, 20 SWG	1	L.73	—	LH9			
18456	10-20 WE 10172ND	RIBLET, nose	1	—	C	LH9A			
	10-20 WE 2813A	RIB, nose, No. 6A, Port, assembly (Pre Mod. 827) (For spares use 10-20 WE 5767A/ND)	1	—	—	LH9			
10448	10-20 WE 5767A/ND	RIB, nose, No. 6A, Port, assembly (Spares condition)	1	—	C				
	10-20 WE 2814A	RIB, nose, No. 6A, Starboard, assembly (For spares use 10-20 WE 5768A/ND) (Pre Mod. 827)	1	—	—	LH9			
10449	10-20 WE 5768A/ND	RIB, nose, No. 6A, Starboard, assembly (Spares condition)	1	—	C				

MAIN PLANES
WING EXTENSION

Ref. No.	Part No.	Description										No. off	Material Specification	Class of Store or L.M.	Plate No.		
		1	2	3	4	5	6	7	8	9	10						
	10-20 WE 10115A																LH9A
19592	10-20 WE 10603A/ND																P
	10-20 WE 10161ND																LH9A
19594	10-20 WE 10605ND																C
	10-20 WE 10116A																LH9A
19593	10-20 WE 10604A/ND																P
	10 WC 3409													L.73			LH9 LH9A LH9A
	10-20 WE 10162ND																LH9A
19595	10-20 WE 10606ND																C
	10-20 WE 2821A																LH9 LH9A
10444	10-20 WE 5771A/ND																P
	10-20 WE 2822A																LH9 LH9A
10445	10-20 WE 5772A/ND																P
	10-20 WE 2219													L.73			LH11
	10-20 WE 2220													L.73			LH11
	10-20 WE 2827ND													L.73			LH9 LH9A
	10-20 WE 2828ND													L.73			LH9 LH9A LH9A
	10 WC 3409													L.73			LH9 LH9A LH9A
	10-20 WE 10049A																LH9A
	10-20 WE 10050A																LH9A
	10-20 WE 6429ND																LH9
	10-20 WE 6430ND																LH9
	10-20 WE 6439ND																LH9
15230	10-20 WE 6785ND																P
	10-20 WE 10231ND																LH9A
18457	10-20 WE 10423ND																C
	10-20 WE 6440ND																LH9
15231	10-20 WE 6786ND																P
	10-20 WE 10232ND																LH9A

MAIN PLANES
WING EXTENSION

Ref. No.	Part No.	Description	No. off	Material Specification	Class of Store or L.M.	Plate No.			
							1	2	3
18458	10-20 WE 10424ND	SKIN, leading edge, Starboard (Spares condition) (Mod. 827) Attachments for 10-20 WE 6429ND, 10-20 WE 6430ND, 10-20 WE 6439ND, 10-20 WE 10231ND, 10-20 WE 6440ND or 10-20 WE 10232ND. Skin:—	1	—	C				
28D/9133011	A25/2C	Bolt, 2 BA (Mod. 7, Pre Mod. 399) ...	7	—	C				
28D/9133011	A25/2C	Bolt, 2 BA (Mods. 7 and 399) ...	5	—	C				
2724	DHS.365/2½E	Bolt, ½ BSF (Mod. 7) ...	11	—	C				
1657	DHS.365/3E	Bolt, ½ BSF (Mod. 7) ...	4	—	C				
3413	DHS.365/3½E	Bolt, ½ BSF (Mod. 7, Pre Mod. 399) ...	139	—	C				
3413	DHS.365/3½E	Bolt, ½ BSF (Mods. 7, 399 and 827) ...	125	—	C				
3413	DHS.365/3½E	Bolt, ½ BSF (Mods. 7 and 399) (Pre Mod. 827) ...	129	—	C				
26DL/7812	DHS.365/4E	Bolt, ½ BSF (Mod. 7, Pre Mod. 399) ...	5	—	C				
26DL/7812	DHS.365/4E	Bolt, ½ BSF (Mods. 7, 399 and 827) ...	1	—	C				
26DL/7812	DHS.365/4E	Bolt, ½ BSF (Mods. 7 and 399) (Pre Mod. 827) ...	3	—	C				
2726	DHS.365/4½E	Bolt, ½ BSF (Mod. 7, Pre Mod. 399) ...	27	—	C				
2726	DHS.365/4½E	Bolt, ½ BSF (Mods. 7, 399 and 827) ...	35	—	C				
2726	DHS.365/4½E	Bolt, ½ BSF (Mods. 7 and 399) (Pre Mod. 827) ...	29	—	C				
1793	DHS.365/5E	Bolt, ½ BSF (Mod. 7, Pre Mod. 399) ...	2	—	C				
1793	DHS.365/5E	Bolt, ½ BSF (Mods. 7 and 399) ...	3	—	C				
3414	DHS.365/5½E	Bolt, ½ BSF (Mod. 7, Pre Mod. 399) ...	14	—	C				
3414	DHS.365/5½E	Bolt, ½ BSF (Mods. 7 and 399) ...	15	—	C				
1794	DHS.365/6E	Bolt, ½ BSF (Mod. 7) ...	35	—	C				
3592	DHS.365/6½E	Bolt, ½ BSF (Mods. 7 and 399) ...	2	—	C				
3810	DHS.365/7E	Bolt, ½ BSF (Mod. 7, Pre Mod. 399) ...	5	—	C				
3810	DHS.365/7E	Bolt, ½ BSF (Mods. 7 and 399) ...	4	—	C				
5184	DHS.365/8½E	Bolt, ½ BSF ...	14	—	C				
3578	DHS.365/9E	Bolt, ½ BSF ...	4	—	C				
2721	DHS.365/2½E	Bolt, ½ BSF ...	19	—	C				
2722	DHS.365/3EE	Bolt, ½ BSF (Mods. 7 and 399) ...	9	—	C				
2729	DHS.365/3½C	Bolt, 2 BA (Mod. 7) ...	2	—	C				
4161	DHS.365/4½C	Bolt, 2 BA (Mod. 7) ...	2	—	C				
14358	DHS.365/5½C	Bolt, 2 BA (Mod. 7) ...	1	—	C				
5558	DHS.365/2½CC	Bolt, 2 BA ...	6	—	C				
28M/1006473	A27/CT	Nut, 2 BA ...	6	—	C				
2227	DHS.983/E	Nut, ½ BSF (Mod. 7) ...	30	—	C				
28M/10288	AGS.2001/C/1	Nut, 2 BA (Mod. 7, Pre Mod. 399) ...	7	—	C				
28M/10288	AGS.2001/C/1	Nut, 2 BA (Mods. 7 and 399) ...	5	—	C				
28M/10290	AGS.2001/E/1	Nut, ½ BSF (Mod. 7, Pre Mod. 399) ...	234	—	C				
28M/10290	AGS.2001/E/1	Nut, ½ BSF (Mods. 7 and 399) (Pre Mod. 827) ...	229	—	C				
28M/10290	AGS.2001/E/1	Nut, ½ BSF (Mods. 7, 399 and 827) ...	223	—	C				
28M/10282	AGS.2001/E/3	Nut, ½ BSF (Mod. 7, Pre Mod. 399) ...	20	—	C				
28M/10282	AGS.2001/E/3	Nut, ½ BSF (Mods. 7 and 399) (Pre Mod. 827) ...	18	—	C				
28M/10282	AGS.2001/E/3	Nut, ½ BSF (Mods. 7, 399 and 827) ...	15	—	C				
28W/9418920	SP.10/E	Washer, (Mod. 7, Pre Mod. 399) ...	109	—	C				
28W/9418920	SP.10/E	Washer (Mods. 7 and 399) (Pre Mod. 827) ...	103	—	C				
28W/9418920	SP.10/E	Washer (Mods. 7, 399 and 827) ...	100	—	C				
28W/9419402	SP.13/C	Washer (Mod. 7, Pre Mod. 399) ...	7	—	C				
28W/9419402	SP.13/C	Washer (Mods. 7 and 399) ...	5	—	C				
28W/9418921	SP.13/E	Washer (Mod. 7) ...	115	—	C				
28W/9419475	SP.15/C	Washer (Mods. 7 and 399) ...	2	—	C				
28W/9419405	SP.15/E	Washer (Mod. 7, Pre Mod. 399) ...	42	—	C				
28W/9419405	SP.15/E	Washer (Mods. 7 and 399) ...	43	—	C				
1790	DHS.726/C/16	Washer, support ...	2	—	C				
3241	DHS.727/E/12	Washer, support (Pre Mod. 827) ...	2	—	C				

MAIN PLANES
WING EXTENSION

Ref. No.	Part No.	Description										No. off	Material Specification	Class of Store or L.M.	Plate No.
		1	2	3	4	5	6	7	8	9	10				
	—	WINDOW , inspection, heavy stores pylon, between ribs Nos. 4B and 5 in leading edge, group (Drg. No. 10-20 WE 6519 Mods. 7 and 492, Pre Mod. 399)										1	—	—	
28D/1007319	AS.1242/4B	BOLT , 4 BA										4	—	C	
28M/9403519	A27/BP	NUT , 4 BA										4	—	C	
	10-20 EE 6521ND	PLATE , reinforcing, L.H.										1	—	—	LH11
	10-20 WE 6522ND	PLATE , reinforcing, R.H.										1	—	—	LH11
	10-20 WE 6523ND	PLATE , retaining, 18 SWG										1	L.72	LM	LH11
13578	10-20 WE 6525ND	WINDOW , perspex										1	—	C	LH11
	10-20 WE 2221A/2	LEADING-EDGE , ribs Nos. 8 to 13, Port, assembly (For spares use 10-20 WE 5869A/ND)										1	—	—	LH13
10726	10-20 WE 5869A/ND	LEADING-EDGE , ribs Nos. 8 to 13, Port, assembly (Spare condition) Spares for :—										1	—	P	LH13
	10-20 WE 5415A	BRACKET , for terminal block, at top stringer No. 3, between ribs Nos. 11 and 11A, assembly										1	—	—	LH15
	10-20 WE 5413ND	BRACKET , bare, 18 SWG										1	L.72	LM	LH15
	10-20 WE 2299A	DIAPHRAGM , leading-edge, between nose ribs Nos. 8 and 11, 16 SWG										1	L.73	—	LH13
	10-20 WE 2303ND	ANGLE , attachment, at nose rib No. 8, 16 SWG										1	L.73	—	LH15
5516	10-20 WE 1809A	FAIRING , pitôt tube, between nose ribs Nos. 11 and 11A Attachments for 10-20 WE 1809A, Fairing :—										1	—	C	LH13
28D/13128	AS.3294/2C	Bolt , 2 BA										6	—	C	
11699	10-20 WE 5283	MOUNTING , pitôt retaining, between nose ribs Nos. 11 and 11A Attachments for 10-20 WE 5283, Mounting :—										1	—	C	LH15
28D/9133011	A25/2C	Bolt , 2 BA										1	—	C	
28M/1013107	A24/CS	Nut , 2 BA										1	—	C	
28P/1007741	SP.9/C8	Pin , split										1	—	C	
	10-20 WE 1949ND	PLATE , reinforcing, pitôt support tube, between nose ribs Nos. 11 and 11A, 14 SWG										1	L.73	LM	LH13
	10-20 WE 2187A	RIB , nose, No. 9, assembly Spares for :—										1	—	—	LH13
	10-20 WE 2219	BRACKET , attachment, 18 SWG Attachments for 10-20 WE 2187A, Rib :—										3	L.73	—	LH15
2731	DHS.901/2GG	Bolt , 1/2 BSF										2	—	C	

MAIN PLANES
WING EXTENSION

Ref. No.	Part No.	Description	No. off	Material Specification	Class of Store or L.M.	Plate No.			
							1	2	3
	10-20 WE 2191A	RIB , nose, 9A, assembly (For spares use 10-20 WE 5883A/ND)	1	—	—	LH13			
	10-20 WE 5883A/ND	RIB , nose, No. 9A, assembly (Spares condition) Spares for :—	1	—	—	LH13			
	10-20 WE 2219	BRACKET , attachment, top, 18 SWG ...	3	L.73	—	LH15			
	10-20 WE 2220	BRACKET , attachment, bottom, 18 SWG ...	3	L.73	—	LH15			
	28D/9133011 A.25/2C	Attachments for 10-20 WE 2191A, Rib :—							
	2731 DHS.901/2GG	Bolt, 2 BA ...	2	—	C				
	28W/9419402 SP.13/C	Bolt, 1/8" BSF ...	2	—	C				
	28W/9419476 SP.15/G	Washer ...	2	—	C				
	28W/9419476 SP.15/G	Washer ...	2	—	C				
	10-20 WE 2195A	RIB , nose, No. 10, assembly (For spares use 10-20 WE 5875A/ND)	1	—	—	LH13			
	10-20 WE 5875A/ND	RIB , nose, No. 10, assembly (Spares condition) Spares for :—	1	—	—	LH13			
	10-20 WE 2219	BRACKET , attachment, top, 18 SWG ...	3	L.73	—	LH15			
	10-20 WE 2220	BRACKET , attachment, bottom, 18 SWG ...	2	L.73	—	LH15			
	2731 DHS.901/2GG	Attachments for 10-20 WE 2195A, Rib :—							
	28W/9419476 SP.15/G	Bolt, 1/8" BSF ...	2	—	C				
	28W/9419476 SP.15/G	Washer ...	2	—	C				
	10-20 WE 723A	RIB , nose, No. 10A, assembly ...	1	—	—	LH13			
	10-20 WE 2219	BRACKET , attachment, top, 18 SWG ...	2	L.73	—	LH15			
	10-20 WE 2220	BRACKET , attachment, bottom, 18 SWG ...	2	L.73	—	LH15			
	28D/9133011 A.25/2C	Attachments for 10-20 WE 723A, Rib :—							
	2731 DHS.901/2GG	Bolt, 2 BA ...	2	—	C				
	28W/9419402 SP.13/C	Bolt, 1/8" BSF ...	2	—	C				
	28W/9419476 SP.15/G	Washer ...	2	—	C				
	28W/9419476 SP.15/G	Washer ...	2	—	C				
	10-20 WE 1925A	RIB , nose, No. 11, assembly (For spares use 10-20 WE 5879A/ND)	1	—	—	LH13			
	10-20 WE 5879A/ND	RIB , nose, No. 11, assembly (Spares condition) Spares for :—	1	—	—	LH13			
	10-20 WE 1933ND	ANGLE , 18 SWG ...	1	L.73	LM	LH13			
	10-20 WE 2219	BRACKET , attachment, top, 18 SWG ...	2	L.73	—	LH15			
	10-20 WE 2220	BRACKET , attachment, bottom, 18 SWG ...	2	L.73	—	LH15			
	2731 DHS.901/2GG	Attachments for 10-20 WE 1925A, Rib :—							
	28W/9419476 SP.15/G	Bolt, 1/8" BSF ...	2	—	C				
	28W/9419476 SP.15/G	Washer ...	2	—	C				
	10-20 WE 1907	RIB , nose, No. 11A, assembly ...	1	—	—	LH13			
	10-20 WE 2219	BRACKET , attachment, top, 18 SWG ...	2	L.73	—	LH15			
	10-20 WE 2220	BRACKET , attachment, bottom, 18 SWG ...	2	L.73	—	LH15			
	10-20 WE 1813	BRACKET , support, for pitot tube, 18 SWG ...	1	L.73	LM	LH15			
	2731 DHS.901/2GG	Attachments for 10-20 WE 1907, Rib :—							
	28W/9419476 SP.15/G	Bolt, 1/8" BSF ...	2	—	C				
	28W/9419476 SP.15/G	Washer ...	2	—	C				
	10-20 WE 735A	RIB , nose, No. 12, assembly (For spares use 10-20 WE 5871A/ND)	1	—	—	LH13			
	10-20 WE 5871A/ND	RIB , nose, No. 12, assembly (Spares condition) Spares for :—	1	—	—	LH13			
	10-20 WE 2219	BRACKET , attachment, top, 18 SWG ...	2	L.73	—	LH15			
	10-20 WE 2220	BRACKET , attachment, bottom, 18 SWG ...	1	L.73	—	LH15			
	10-20 N 361	BRACKET , wing conduits, 20 SWG ...	1	L.72	LM	LH13			
	2731 DHS.901/2GG	Attachments for 10-20 WE 735A, Rib :—							
	28W/9419476 SP.15/G	Bolt, 1/8" BSF ...	2	—	C				
	28W/9419476 SP.15/G	Washer ...	2	—	C				

**MAIN PLANES
WING EXTENSION**

Ref. No.	Part No.	Description										No. off	Material Specification	Class of Store or L.M.	Plate No.
		1	2	3	4	5	6	7	8	9	10				
10697	10-20 WE 1971A	RIB , nose, No. 13, assembly (For spares use 10-20 WE 5703A/ND)										1	—	—	LH13
	10-20 WE 5703A/ND	RIB , nose, No. 13, assembly (Spares condition) Spares for :—										1	—	C	
	10-20 WE 1975ND	LANDING , top, 18 SWG (For spares use 10-20 WE 5711ND)										1	L.73	—	LH13
	10-20 WE 5711ND	LANDING , top, 18 SWG (Spares condition)										1	L.73	—	
	10-20 WE 1977ND	LANDING , bottom, 18 SWG (For spares use 10-20 WE 5715ND)										1	L.73	—	LH13
2731 28W/9419476	10-20 WE 5715ND	LANDING , bottom, 18 SWG (Spares condition)										1	L.73	—	
	DHS.901/2GG	Attachments for 10-20 WE 1971A, Rib :—													
	SP.15/G	Bolt, 2 BSF 2 Washer 2										2	—	C	
28D/9133011 28W/9419402	10-20 WE 775A	RIBLET , nose, No. 9, assembly 1										1	—	—	LH13
	10-20 WE 779A	RIBLET , nose, No. 10 assembly 1										1	—	—	LH13
	A25/2C	Attachments for 10-20 WE 775A or 10-20 WE 779A, Riblet :—													
28W/9419402	SP.13/C	Bolt, 2 BA 2 Washer 2										2	—	C	
	10-20 WE 2343A/ND	SKIN , inner, complete with edge reinforcing plates (For spares use 10-20 WE 5899A/ND)										1	—	—	LH13
12408	10-20 WE 5899A/ND	SKIN , inner, complete with edge reinforcing plates (Spares condition)										1	—	—	
	10-20 WE 2345ND	SKIN , inner (For spares use 10-20 WE 6435ND) 16 SWG										1	DTD.746	—	LH13
	10-20 WE 6435ND	SKIN , inner (Spares condition) 16 SWG ...										1	—	C	LH13
2346 1655 28M/10288 28M/10328 28W/9419475	DHS.358/2½C	Attachments for 10-20 WE 2343A/ND, Skin :—													
	DHS.358/3C	Bolt, 2 BA 82										82	—	C	
	AGS.2001/C/1	Bolt, 1 BA 12										12	—	C	
	AGS.2002/C/1	Nut, 2 BA 10										10	—	C	
	SP.15/C	Nut, 2 BA 44 Washer 54										44	—	C	
14357	10-20 WE 2347A/ND	SKIN , outer, complete with edge reinforcing plates (For spares use 10-20 WE 5895A/ND)										1	—	—	LH13
	10-20 WE 5895A/ND	SKIN , outer, complete with edge reinforcing plates (Spares condition)										1	—	—	
	10-20 WE 2349ND	SKIN , outer (For spares use 10-20 WE 5893ND) 16 SWG										1	DTD.746	—	LH13
2346 1655 28M/10288 28M/10328 28W/9419475	10-20 WE 5893ND	SKIN , outer (Spares condition) 16 SWG ...										1	—	C	
	DHS.358/2½C	Attachments for 10-20 WE 2347A/ND, Skin :—													
	DHS.358/3C	Bolt, 2 BA 74										74	—	C	
	AGS.2001/C/1	Bolt, 2 BA 8										8	—	C	
	AGS.2002/C/1	Nut, 2 BA 4										4	—	C	
28W/9419475	SP.15/C	Nut, 2 BA 37 Washer 41										37	—	C	
	10-20 WE 2359ND	STRAP , joint, at nose rib No. 10A, 18 SWG										1	DTD.746	—	LH13
—	—	STRINGERS , Nos. 1, 2 and 3 top, and Nos. 1, 2 and 3, bottom (Make from standard section J.803)										6	—	—	

MAIN PLANES
WING EXTENSION

Ref. No.	Part No.	Description										No. off	Material Specification	Class of Store or L.M.	Plate No.
		1	2	3	4	5	6	7	8	9	10				
	—	STRUCTURE , leading edge, in way of boundary layer fence, between nose ribs Nos. 8 and 9 Port. group (Drg. No. 10-20 WE 1341)										1	—	—	LH14
6349	10-20 WE 5083	ANGLE , attachment, forward portion, boundary layer fence support inboard										1	—	C	LH14
6350	10-20 WE 5085	ANGLE , attachment, forward portion, boundary layer fence support outboard										1	—	C	LH14
		Attachments for 10-20 WE 5083 or 10-20 WE 5085, Angle :—													
5560	DHS.365/1½CC	Bolt, 2 BA										16	—	C	
5554	DHS.365/2CC	Bolt, 2 BA										1	—	C	
5558	DHS.365/2½CC	Bolt, 2 BA										1	—	C	
28M/1006473	A27/CT	Nut, 2 BA										2	—	C	
28M/10328	AGS.2002/C/1	Nut, 2 BA										16	—	C	
28W/9419475	SP.15/C	Washer										17	—	C	
	10-20 WE 2771	ANGLE , attachment, for outboard link mounting bracket, between stringers Nos. 1 and 2, 16 SWG										2	L.73	LM	LH14
	10-20 WE 1427	ANGLE , stiffener, for fence angles at stringer No. 1, bottom, 18 SWG										1	L.73	LM	LH14
	10-20 WE 1411ND	ANGLE , stiffener, for stringer No. 1, bottom, 18 SWG										1	L.73	LM	LH14
	10-20 WE 2765	BRACKET , mounting, for outboard link casting, between stringers Nos. 1 and 2, inboard, 16 SWG										1	L.73	—	LH14
	10-20 WE 2767	BRACKET , mounting, for outboard link casting, between stringers Nos. 1 and 2, outboard										1	L.73	—	LH14
	10-20 WE 1047	BRACKET , stringer No. 1, at rib No. 9, 18 SWG										1	L.73	—	LH14
		Attachments for 10-20 WE 1047, Bracket :—													
28D/9436920	A25/1C	Bolt, 2 BA										1	—	C	
28D/9133011	A25/2C	Bolt, 2 BA										1	—	C	
28M/10328	AGS.2002/C/1	Nut, 2 BA										2	—	C	
28W/9419475	SP.15/C	Washer										2	—	C	
	10-20 WE 2127	BRACKET , stringer No. 1, attachment at fence angle										1	DTD.298	—	LH14
		Attachments for 10-20 WE 2127, Bracket :—													
28D/9133011	A25/2C	Bolt, 2 BA										1	—	C	
28M/10328	AGS.2002/C/1	Nut, 2 BA										1	—	C	
28W/9419475	SP.15/C	Washer										1	—	C	
	10-20 WE 1049	BRACKET , stringers Nos. 2 and 3, attachment at rib No. 9, 18 SWG										2	L.73	LM	LH14
5520	10-20 WE 2163	FORMER , forward portion, boundary layer fence										1	—	C	LH14
		Attachments for 10-20 WE 2163, Former :—													
2729	DHS.365/3½C	Bolt, 2 BA										2	—	C	
13787	DHS.365/4CC	Bolt, 2 BA										1	—	C	
4161	DHS.365/4½C	Bolt, 2 BA										3	—	C	
28D/9133011	A25/2C	Bolt, 2 BA										12	—	C	

MAIN PLANES
WING EXTENSION

Ref. No.	Part No.	Description	No. off	Material Specification	Class of Score or L.M.	Plate No.			
							1	2	3
28D/9133012	A25/3C	Bolt, 2 BA	1	—	C				
28M/10328	AGS.2002/C/1	Nut, 2 BA	19	—	C				
	10-20 WE 5623	Packing, tapered	1	L.64	LM	LH15			
	10-20 WE 1057	Packing, tapered	1	L.64	LM	LH15			
	10-20 WE 1059	Packing, tapered	1	L.64	LM	LH15			
	10-20 WE 6277ND	Packing, tapered, 1 1/4" x 3/4", 6 SWG	1	L.73	LM	LH15			
	10-20 WE 6279ND	Packing, tapered (Make from Ref. No. 28W.9419404, Part No. SP.16/C)	1	—	LM	LH15			
28W/9419475	SP.15/C	Washer	1	—	C				
28W/9419404	SP.16/C	Washer	11	—	C				
	10-20 WE 1119	Washer, concave	1	L.64	LM	LH14			
	10-20 WE 1121	Washer, convex	1	L.64	LM	LH14			
	10-20 WE 10627ND	PACKING , tapered, 8 SWG	1	L.72	LM				
	10-20 WE 1397A/ND	SKIN , complete with edge reinforcing plates, between nose ribs Nos. 8 and 9, (For spares use 10-20 WE 6529A/ND)	1	—	—	LH14			
13777	10-20 WE 6529A/ND	SKIN , complete with edge reinforcing plates, between nose ribs Nos. 8 and 9 (Spares condition)	1	—	C				
	10-20 WE 2301	STIFFENER , for boundary layer fence former, 18 SWG	1	L.73	LM	LH14			
5514	10-20 WE 1811A	TUBE , pitot support	9	—	C	LH13			
		Attachments for 10-20 WE 1811A, Tube :—							
28D/9133011	A25/2C	Bolt, 2 BA	2	—	—				
	10-20 WE 2223A/3	LEADING-EDGE , ribs Nos. 8 to 13, Starboard, assembly (For spares use 10-20 WE 6677A/ND)	1	—	—	LH13			
14566	10-20 WE 6677A/ND	LEADING-EDGE , ribs Nos. 8 to 13, Starboard, assembly (Spares condition)	1	—	C				
		Spares for :—							
	10-20 WE 5415A	BRACKET , for terminal block, at top stringer No. 3, between ribs Nos. 11 and 11A, assembly	1	—	—	LH15			
	10-20 WE 5413ND	BRACKET , bare, 18 SWG	1	L.72	LM	LH15			
	10-20 WE 2300A	DIAPHRAGM , leading edge, between nose ribs Nos. 8 and 11, 16 SWG	1	L.73	—	LH13			
	10-20 WE 2304ND	ANGLE , attachment, at nose rib No. 8, 16 SWG	1	L.73	—	LH15			
5525	10-20 WE 1810A	FAIRING , pitot tube, between nose ribs Nos. 11 and 11A	1	—	C	LH13			
		Attachments for 10-20 WE 1810A, Fairing :—							
28D/13128	AS.3294/2C	Bolt, 2 BA	6	—	C				
11699	10-20 WE 5283	MOUNTING , pitot retaining, between nose, ribs No. 11 and 11A	1	—	C	LH15			
		Attachments for 10-20 WE 5283, Mounting :—							
28D/9133011	A25/2C	Bolt, 2 BA	1	—	C				
28M/1013107	A24/CS	Nut, 2 BA	1	—	C				
28P/9527619	SP.90/C7	Pin, split (SP.9 C8)	1	—	C				
	10-20 WE 1950ND	PLATE , reinforcing, pitot support tube, between nose ribs Nos. 11 and 11A, 14 SWG	1	L.73	LM	LH13			

MAIN PLANES
WING EXTENSION

Ref. No.	Part No.	Description	No. off	Material Specification	Class of Store or L.M.	Plate No.			
							1	2	3
	10-20 WE 2189A	RIB , nose, No. 9, assembly Spares for:—	1	—	—	LH3			
	10-20 WE 2219	BRACKET , attachment, 18 SWG Attachments for 10-20 WE 2189A, Rib:—	3	L.73	—	LH15			
2731	DHS.901.2GG	Bolt, 1/4" BSF	2	—	C				
	10-20 WE 6197A	RIB , nose, No. 9A, assembly Spares for:—	1	—	—	LH13			
	10-20 WE 2219	BRACKET , attachment, top, 18 SWG	3	L.73	—	LH15			
	10-20 WE 2220	BRACKET , attachment, bottom, 18 SWG Attachments for 10-20 WE 6197A, Rib:—	3	L.73	—	LH15			
28D/9133011	A25.2C	Bolt, 2 BA	2	—	C				
2731	DHS.901.2GG	Bolt, 1/4" BSF	2	—	C				
28W/9419402	SP.13.C	Washer	2	—	C				
28W/9419476	SP.15.6	Washer	2	—	C				
	10-20 WE 2197A	RIB , nose, No. 10, assembly (For spares use 10-20 WE 5911A,ND)	1	—	—	LH13			
	10-20 WE 5911A:ND	RIB , nose, No. 10, assembly (Spares condition) Spares for:—	1	—	—				
	10-20 WE 2219	BRACKET , attachment, top, 18 SWG	4	L.73	—	LH15			
	10-20 WE 2220	BRACKET , attachment, bottom, 18 SWG Attachments for 10-20 WE 2197A, Rib:—	2	L.73	C	LH15			
2731	DHS.901.2GG	Bolt, 1/4" BSF	2	—	C				
28W/9419476	SP.15.G	Washer	2	—	C				
	10-20 WE 725A	RIB , nose, No. 10A, assembly Spares for:—	1	—	—	LH13			
	10-20 WE 2219	BRACKET , attachment, top, 18 SWG	3	L.73	—	LH15			
	10-20 WE 2220	BRACKET , attachment, bottom, 18 SWG Attachments for 10-20 WE 725A, Rib:—	2	L.73	—	LH15			
28D/9133011	A25.2C	Bolt, 2 BA	2	—	C				
2731	DHS.901.2GG	Bolt, 1/4" BSF	2	—	C				
28W/9419402	SP.13.C	Washer	2	—	C				
28W/9419476	SP.15.G	Washer	2	—	C				
	10-20 WE 1927A	RIB , nose, No. 11, assembly (For spares use 10-20 WE 5915A,ND)	1	—	—	LH13			
	10-20 WE 5915A:ND	RIB , nose, No. 11, assembly (Spares condition) Spares for:—	1	—	—				
	10-20 WE 1934ND	ANGLE , 18 SWG	1	L.73	LM	LH13			
	10-20 WE 2219	BRACKET , attachment, top, 18 SWG	2	L.73	—	LH15			
	10-20 WE 2220	BRACKET , attachment, bottom, 18 SWG Attachments for 10-20 WE 1927A, Rib:—	2	L.73	—	LH15			
2731	DHS.901.2GG	Bolt, 1/4" BSF	2	—	C				
28W/9419476	SP.15.G	Washer	2	—	C				
	10-20 WE 1909	RIB , nose, No. 11A, assembly Spares for:—	9	—	—	LH13			
	10-20 WE 2219	BRACKET , attachment, top, 18 SWG	2	L.73	—	LH15			
	10-20 WE 2220	BRACKET , attachment, bottom, 18 SWG	2	L.73	—	LH15			
	10-20 WE 1814	BRACKET , support, for pitot tube, 18 SWG Attachments for 10-20 WE 1909, Rib:—	1	L.73	LM	LH15			
2731	DHS.901.2GG	Bolt, 1/4" BSF	2	—	C				
28W/9419476	SP.15.G	Washer	2	—	—				
	10-20 WE 737A	RIB , nose, No. 12, assembly (For spares use 10-20 WE 5907A ND)	1	—	—	LH13			

MAIN PLANES
WING EXTENSION

Ref. No.	Part No.	Description	No. off	Material Specification	Class of Store or L.M.	Plate No.			
							1	2	3
	10-20 WE 5907A/ND	RIB , nose, No. 12, assembly (Spares condition) Spares for :—	1	—	—				
	10-20 WE 2219	BRACKET , attachment, top, 18 SWG ...	3	L.73	—	LH15			
	10-20 WE 2220	BRACKET , attachment, bottom, 18 SWG ...	1	L.73	—	LH15			
	10-20 N 361	BRACKET , wing conduits, 20 SWG... ...	1	L.72	LM	LH15			
2731 28W/9419476	DHS.901/2GG SP.15/G	Attachments for 10-20 WE 737A, Rib :— Bolt, 1/2" BSF Washer	2 2	— —	C C				
	10-20 WE 1972A	RIB , nose, No. 13, assembly (For spares use 10-20 WE 5704A/ND)	1	—	—	LH13			
10698	10-20 WE 5704A/ND	RIB , nose, No. 13, assembly (Spares condition) Spares for :—	1	—	C				
	10-20 WE 1976ND	LANDING , top, 18 SWG (For spares use 10-20 WE 5712ND)	1	L.73	—	LH13			
	10-20 WE 5712ND	LANDING , top, 18 SWG (Spares condition)	1	L.73	—				
	10-20 WE 1978ND	LANDING , bottom, 18 SWG (For spares use 10-20 WE 5716ND)	1	L.73	—	LH13			
	10-20 WE 5716ND	LANDING , bottom, 18 SWG (Spares condition)	1	L.73	—				
2731 28W/9419476	DHS.901/2GG SP.15/G	Attachments for 10-20 WE 1972A, Rib :— Bolt, 1/2" BSF Washer	2 2	— —	C C				
	10-20 WE 775A	RIBLET , nose, No. 9	1	—	—	LH13			
	10-20 WE 779A	RIBLET , nose No. 10	1	—	—	LH13			
28D/9133011 28W/9419402	A25/2C SP.13/C	Attachments for 10-20 WE 775A or 10-20 WE 779A, Riblet :— Bolt, 2 BA: Washer	2 2	— —	C C				
	10-20 WE 2373A/ND	SKIN , inner, complete with edge reinforcing plates (For spares use 10-20 WE 5923A/ND)	1	—	—	LH13			
	10-20 WE 5923A/ND	SKIN , inner, complete with edge reinforcing plates (Spares condition)	1	—	—				
	10-20 WE 2375ND	SKIN , inner, 16 SWG (For spares use 10-20 WE 6433ND)	1	DTD.746	—	LH13			
	10-20 WE 6433ND	SKIN , inner, 16 SWG (Spares condition) ...	1	DTD.746	—				
2346 1655 28M/10288 28M/10328 28W/9419475	DHS.358/2/C DHS.358/3C AGS.2001/C/1 AGS.2002/C/1 SP.15/C	Attachments for 10-20 WE 2373A/ND, Skin :— Bolt, 2 BA: Bolt, 2 BA: Nut, 2 BA: Nut, 2 BA: Washer	82 12 10 44 54	— — — — —	C C C C C				
	10-20 WE 2348A/ND	SKIN , outer complete with edge reinforcing plates (For spares use 10-20 WE 5896A/ND)	1	—	—	LH13			
	10-20 WE 5896A/ND	SKIN , outer complete with edge reinforcing plates (Spares condition)	1	—	—				
	10-20 WE 2350ND	SKIN , outer, 16 SWG (For Spares use 10-20 WE 6431ND)	1	DTD.746	—	LH13			

**MAIN PLANES
WING EXTENSION**

Ref. No.	Part No.	Description										No. off	Material Specification	Class of Store or L.M.	Plate No.
		1	2	3	4	5	6	7	8	9	10				
	10-20 WE 6431ND	SKIN , outer, 16 SWG (Spares condition) ...										1	—	—	
		Attachments for 10-20 WE 2348A/ND, Skin :—													
2346	DHS.358/2½C	Bolt, 2 BA										74	—	C	
1655	DHS.358/3C	Bolt, 2 BA										8	—	C	
28M/10288	AGS.2001/C/1	Nut, 2 BA										4	—	C	
28M/10328	AGS.2002/C/1	Nut, 2 BA										37	—	C	
28W/9419475	SP.15/C	Washer										41	—	C	
	10-20 WE 2360ND	STRAP , joint, at nose rib No. 10A, 18 SWG										1	DTD.746	—	LH13
	—	STRINGERS , Nos. 1, 2 and 3 top, and Nos. 1, 2 and 3. bottom (Make from standard section J.803)										6	—	—	
	—	STRUCTURE , leading edge, in way of boundary layer fence, between nose ribs Nos. 8 and 9 Starboard, group (Drg. No. 10-20 WE 1341)										1	—	—	LH14
6351	10-20 WE 5084	ANGLE , attachment, forward portion boundary layer fence support, inboard										1	—	C	LH14
6352	10-20 WE 5086	ANGLE , attachment, forward portion boundary layer fence support, outboard										1	—	C	LH14
		Attachments for 10-20 WE 5086, Angle :—													
5560	DHS.365/1½CC	Bolt, 2 BA										16	—	C	
5554	DHS.365/2CC	Bolt, 2 BA										1	—	C	
5558	DHS.365/2½CC	Bolt, 2 BA										1	—	C	
28M/1006473	A27/CT	Nut, 2 BA										2	—	C	
28M/10328	AGS.2002/C/1	Nut, 2 BA										16	—	C	
28W/9419475	SP.15/C	Washer										17	—	C	
	10-20 WE 2771	ANGLE , attachment, for outboard link mounting bracket, between stringers Nos. 1 and 2, 16 SWG										2	L.73	LM	LH14
	10-20 WE 1427	ANGLE , stiffener, for fence angles at stringer No. 1, bottom, 18 SWG										1	L.73	LM	LH14
	10-20 WE 1412ND	ANGLE , stiffener, for stringer No. 1, bottom, 18 SWG										1	L.73	LM	LH14
	10-20 WE 2766	BRACKET , mounting, for outboard link casting, between stringers Nos. 1 and 2, inboard, 16 SWG										1	L.73	—	LH14
	10-20 WE 2768	BRACKET , mounting, for outboard link casting, between stringers Nos. 1 and 2, outboard, 16 SWG										1	L.73	—	LH14
	10-20 WE 1048	BRACKET , stringer No. 1, at rib No. 9, 18 SWG										1	L.73	—	LH14
		Attachments for 10-20 WE 1048, Bracket :—													
28D/9436920	A25/1C	Bolt, 2 BA										1	—	C	
28D/9133011	A25/2C	Bolt, 2 BA										1	—	C	
28M/10328	AGS.2002/C/1	Nut, 2 BA										2	—	C	
28W/9419475	SP.15/C	Washer										2	—	C	
	10-20 WE 2128	BRACKET , stringer No. 1, attachment at fence angle										1	—	—	LH14
		Attachments for 10-20 WE 2128, Bracket :—													
28D/9133011	A25/2C	Bolt, 2 BA										1	—	C	
28M/10328	AGS.2002/C/1	Nut, 2 BA										1	—	C	
28W/9419475	SP.15/C	Washer										1	—	C	

MAIN PLANES
WING EXTENSION

Part No.	Part No.	Description	No off	Material Specification	Class of Store or L.M.	Place No.			
							1	2	3
	10-20 WE 1050	BRACKET , stringers Nos. 2 and 3, attachment at rib No. 9	2	L.73	LM	LH14			
5529	10-20 WE 2164	FORMER , forward portion, boundary layer fence	1	—	C	LH14			
		Attachments for 10-20 WE 2164, Former:—							
1792	DHS.365/3C	Bolt, 2 BA	2	—	C				
13787	DHS.365/4CC	Bolt, 2 BA	1	—	C				
4161	DHS.365/4C	Bolt, 2 BA	3	—	C				
28D/9133011	A.25/2C	Bolt, 2 BA	12	—	C				
28D/9133012	A.25/3C	Bolt, 2 BA	1	—	C				
28M/10328	AGS.2002/C/1	Nut, 2 BA	19	—	C				
	10-20 WE 5623	Packing, tapered	1	L.64	LM	LH15			
	10-20 WE 1057	Packing, tapered	1	L.64	LM	LH15			
	10-20 WE 1059	Packing, tapered	1	L.64	LM	LH15			
	10-20 WE 6277ND	Packing, tapered, 1 1/2" x 3/4" x 6 SWG	1	L.73	LM	LH15			
	10-20 WE 6279ND	Packing, tapered (Make from Ref. No. 28W/9419404, Part No. SP.16/C)	1	—	LM	LH15			
28W/9419475	SP.15/C	Washer	1	—	C				
28W/9419404	SP.16/C	Washer	11	—	C				
	10-20 WE 1119	Washer, concave	1	L.64	LM	LH14			
	10-20 WE 1121	Washer, convex	1	L.64	LM	LH14			
	10-20 WE 10627ND	PACKING , tapered, 8 SWG	1	L.72	LM				
	10-20 WE 1398A/ND	SKIN , complete with edge reinforcing plates, between nose ribs Nos. 8 and 9 (For spares use 10-20 WE 6530A/ND)	1	—	—	LH14			
13778	10-20 WE 6530A/ND	SKIN , complete with edge reinforcing plates, between nose ribs Nos. 8 and 9 (Spares condition)	1	—	C				
	10-20 WE 2301	STIFFENER , for boundary layer fence former, 18 SWG	1	L.73	LM	LH14			
5524	10-20 WE 1812A	TUBE , pitot support	1	—	C	LH13			
		Attachments for 10-20 WE 1812A, Tube:—							
28D/9133011	A.25/2C	Bolt, 2 BA	2	—	C				
	—	MOUNTING , for compass detector unit, between front and rear spars and ribs Nos. 12 and 13, Port, group (Mod. 1271) (Drg. No. 10-20 WE 10539A)	1	—	—	LH3			
	10-20 WE 10537A	ANGLE , support, assembly	1	—	—				
19010	10-20 WE 10541ND	ANGLE , support	1	—	C	LH3			
	10-20 WE 10543A	ANGLE , support, assembly	1	—	—				
19011	10-20 WE 10553ND	ANGLE , support	1	—	C	LH3			
	10-20 WE 10545A	ANGLE , support, assembly	1	—	—				
19012	10-20 WE 10546ND	ANGLE , support	1	—	C	LH3			
19015	10-20 WE 10547	BRACKET	1	—	C	LH3			
	10-20 WE 10547	BRACKET , mounting (For spares use 10-20 WE 10591ND)	1	—	—	LH3			
19013	10-20 WE 10591ND	BRACKET , mounting (Spares condition)	1	—	C				
	10-20 WE 597ND	PLATE , packing, at mounting bracket, 20 SWG	2	L.72	LM	LH3			
19014	10-20 WE 10555	RING , locating	1	—	C	LH3			
12856	10-20 WE 5433A	PLATE , cover, for pylon housing, in bottom skin, leading edge, at rib No. 5 Port, assembly (Mod. 7)	1	—	P	LH5			

MAIN PLANES
WING EXTENSION

Ref. No.	Part No.	Description	No. off	Material Specification	Class of Store or L.M.	Plate No.			
							1	2	3
12739	10-20 WE 5434A	PLATE , cover, for pylon housing, in bottom skin, leading edge, at rib No. 5, Starboard, assembly (Mod. 7) Spares for :—	1	—	P	LH5			
	10-20 WE 5439ND	ANGLE , attachment, for support tube, Port, 14 SWG	1	L.72	LM	LH5			
	10-20 WE 5440ND	ANGLE , attachment, for support tube, Starboard, 14 SWG	1	L.72	LM	LH5			
	DHS.365/9½C A27/CP	Attachments for 10-20 WE 5439ND or 10-20 WE 5440ND, Angle :—							
28M/9403520	10-20 WE 6747ND	Bolt, 2 BA	2	—	—				
		Nut, 2 BA	2	—	C				
		Plate, packing, 6 SWG	1	L.73	LM	LH5			
14986	10-20 WE 6699	BUSH (Mod. 632)	1	—	C	LH5			
		Attachments for 10-20 WE 6699, Bush :—							
28D/15214	AS.4563/7C	Bolt, 2 BA	1	—	C				
28M/10288	AGS.2001/C/1	Nut, 2 BA	1	—	C				
15907	10-20 A 3075	NUT , pylon retaining	1	—	C	LH5			
	10-20 WE 5447A/ND	SKIN , panel, welded, Port, assembly (For spares use 10-20 WE 6859A/ND)	1	—	—	LH5			
16108	10-20 WE 6859A/ND	SKIN , panel, welded, Port, assembly (Spares condition)	1	—	P				
	10-20 WE 5448A/ND	SKIN , panel, welded, Starboard, assembly (For spares use 10-20 WE 6860A/ND)	1	—	—	LH5			
16109	10-20 WE 6860A/ND	SKIN , panel, welded, Starboard, assembly ... (Spares condition)	1	—	P				
	10-20 WE 5445ND	STRIP , packing, Port, 0"-50 wide × 14 SWG	1	L.72	LM	LH5			
	10-20 WE 5446ND	STRIP , packing, Starboard, 0"-50 wide × 14 SWG	1	L.72	LM	LH5			
19684	10-20 PT 691A	TUBE , support, assembly	1	—	C				
6584	10-20 PT 701	CAP , retaining	1	—	C	LH5			
		Attachments for 10-20 PT 701, Cap :—							
28M/1011476	A27/JS	Nut, ½" BSF	1	—	C				
28P/9527619	SP.90/C7	Pin, split (SP.9/C8)	1	—	C				
	AS.2810/12/050	Tube, distance, ¾" o/d × 20 SWG × 0"-50 long	1	L.63	LM				
	10 FS 4701	END , universal, for support tube	1	L.65	—				
		Attachments for 10 FS 4701, End :—							
19601	DHS.901/6½C	Bolt, 2 BA	1	—	C				
4403	DHS.383/C	Nut, 2 BA	1	—	C				
	AS.2809/4/065	Tube, distance, 1" o/d × 22 SWG × 0"-65 long	1	L.63	LM				
26FC/6751	DHS.94/5/90	PIN , plug end securing, ground steel, ⅜" dia.	6	—	C	LH5			
	10-20 PT 743	PLUG-END , ⅜" BSF, thread	1	L.65	—				
	10 FS 4669	PLUG-END	1	L.65	—				
	10-20 PT 811ND OR	TUBE , support, ¾" o/d × 20 SWG × 4"-15 long	1	L.63	LM	LH5			
	10-20 PT 841ND	TUBE , support, ¾" o/d × 20 SWG × 4"-15 long	1	T.45	LM	LH5			
		Attachments for 10-20 PT 691A, Tube :—							
28D/9140644	A25/9C	Bolt, 2 BA	1	—	C				
28M/5808573	A27/CS	Nut, 2 BA	1	—	C				
28P/9527619	SP.90/C7	Pin, split (SP.9/C8)	1	—	C				
	AS.2809/4/090	Tube, distance, 1" o/d × 22 SWG × 0"-90 long	1	L.63	LM				

**MAIN PLANES
WING EXTENSION**

Ref. No.	Part No.	Description										No. off	Material Specification	Class of Store or L.M.	Plate No.	
		1	2	3	4	5	6	7	8	9	10					
12738	10-20 PT 741											PLUG , fuel, heavy stores pylon, on bottom skin, at rib No. 5, aft of front spar (Mod. 7)	1	—	C	LH1
	DHS.393/28E											Attachments for 10-20 PT 741, Plug —				
27QA/535	DOWTY SP.916/25											Bolt, 1/2" BSF	1	—	—	LH1
	—											Ring, sealing	1	—	C	LH1
	—											SHROUD , flap, outer, extension wing, Port and Starboard, group (Drg. No. 10-20 WE 95 and 10-20 WE 10671)	2	—	—	LH50
	10-20 WE 3427											ANGLE , extension, outer flap shroud, at rib 4A, bottom skin intercostal, Port, 20 SWG	1	L.72	—	LH50
	10-20 WE 3428											ANGLE , extension, outer flap shroud, at rib 4A, bottom skin, intercostal, Starboard, 20 SWG	1	L.72	—	LH50
	10-20 WE 3707											ANGLE , extension, outer flap shroud, at rib 4A, top skin forward intercostal, Port, 20 SWG	1	L.72	—	LH51
	10-20 WE 3708											ANGLE , extension, outer flap shroud, at rib 4A, top skin forward intercostal, Starboard, 20 SWG	1	L.72	—	LH51
	10-20 WE 2879											ANGLE , extension, outer flap shroud, at rib 4A, top skin intermediate intercostal, Port, 20 SWG	1	L.72	—	LH51
	10-20 WE 2880											ANGLE , extension, outer flap shroud, at rib 4A, top skin intermediate intercostal, Starboard, 20 SWG	1	L.72	—	LH51
	10-20 WE 2883											ANGLE , extension, outer flap shroud, at rib 4A, top skin, centre intercostal, Port, 20 SWG	1	L.72	—	LH51
	10-20 WE 2884											ANGLE , extension, outer flap shroud, at rib 4A, top skin centre, intercostal Starboard, 20 SWG	1	L.72	—	LH51
	10-20 WE 3709											ANGLE , extension, outer flap shroud, at rib 4A, top skin aft intercostal, Port, 20 SWG	1	L.72	—	LH51
	10-20 WE 3710											ANGLE , extension, outer flap shroud, at rib 4A, top skin aft intercostal, Starboard, 20 SWG	1	L.72	—	LH51
	10-20 WE 2839											ANGLE , extension, outer flap shroud, at bottom skin edge member, rib No. 4A, Port, 20 SWG	1	L.72	—	LH50
	10-20 WE 2840											ANGLE , extension, outer flap shroud, at bottom skin edge member, rib No. 4A, Starboard, 20 SWG	1	L.72	—	LH50
	10-20 WE 3639											BRACKET , attachment, bottom, outer flap shroud, at rear spar, Port, 20 SWG	5	L.72	LM	LH50
	10-20 WE 3640											BRACKET , attachment, bottom, outer flap shroud, at rear spar, Starboard, 20 SWG	5	L.72	LM	LH50
	10-20 WE 3641											BRACKET , attachment, top, outer flap shroud, at rear spar, Port, 20 SWG	5	L.72	LM	LH51
	10-20 WE 3642											BRACKET , attachment, top, outer flap shroud, at rear spar, Starboard, 20 SWG	5	L.72	LM	LH51

**MAIN PLANES
WING EXTENSION**

Ref. No.	Part No.	Description	No. off	Material Specification	Class of Store or L.M.	Plate No.			
							1	2	3
	10-20 WE 3899	CHANNEL , extension, outer flap shroud, rib No. 5, Port, 22 SWG	1	L.73	—	LH50			
	10-20 WE 3900	CHANNEL , extension, outer flap shroud, rib No. 5, Starboard, 22 SWG	1	L.73	—	LH50			
	10-20 WE 5045	DIAPHRAGM , outer flap shroud, between top and bottom skins at rib No. 4A, Port, 20 SWG	1	L.72	—	LH50			
	10-20 WE 5046	DIAPHRAGM , outer flap shroud, between top and bottom skins at rib No. 4A, Starboard, 20 SWG	1	L.72	—	LH50			
20050	10-20 WC 10663A	DIAPHRAGM , outer flap shroud, edge member to flap track, rib No. 4, Port, assembly (Mod. 1478)	1	—	C	LH50			
20051	10-20 WC 10664A	DIAPHRAGM , outer flap shroud, edge member to flap track, rib No. 4, Starboard, assembly (Mod. 1478) Spares for :—	1	—	C	LH50			
2654	10 WC 11161	PAD , serrated, 12 SWG	1	—	C	LH50			
20048	10-20 WE 10657ND	PANEL , access, Port	1	—	C	LH50			
20049	10-20 WE 10658ND	PANEL , access, Starboard	1	—	C	LH50			
	10-20 WE 3933ND	PLATE , cover, outer flap shroud, under skin, at rib No. 4A, 22 SWG	1	L.72	—	LH50			
	10-20 WE 2225A/ND	SHROUD , flap outer, Port, assembly (Pre Mod. 1181) (For spares use 10-20 WE 6485A/ND)	1	—	—	LH50			
13180	10-20 WE 6485A/ND	SHROUD , flap outer, Port, assembly (Spares condition)	1	—	P				
	10-20 WE 10189A/ND	SHROUD , flap outer, Port, assembly (Mod. 1478) (For spares use 10-20 WE 10675A/ND)	1	—	—	LH50			
20121	10-20 WE 10675A/ND	SHROUD , flap outer, Port, assembly (Spares condition)	1	—	P				
	10-20 WE 2226A/ND	SHROUD , flap outer, Starboard, assembly (Pre Mod. 118) (For spares use 10-20 WE 6486A/ND)	1	—	—	LH50			
13181	10-20 WE 6486A/ND	SHROUD , flap outer, Starboard, assembly (Spares condition)	1	—	P				
	10-20 WE 10190A/ND	SHROUD , flap outer, Starboard, assembly (Mod. 1478) (For spares use 10-20 WE10676A/ND)	1	—	—	LH50			
20122	10-20 WE 10676 A/ND	SHROUD , flap outer, Starboard, assembly (Spares condition)	1	—	P				
	10-20 WE 2761	BRACKET , attachment, at outer flap shroud, rib No. 5, 20 SWG	1	L.72	LM	LH50			
	10-20 WE 2673	BRACKET , attachment, at outer flap shroud, ribs Nos. 4B, 5A, 6 and 6A, 20 SWG	4	L.72	LM	LH50			
	10 WC 11823	BRACKET , attachment, at outer flap shroud, rib No. 5, 20 SWG	1	L.72	LM	LH50			
	10 WC 11825	BRACKET , attachment, at outer flap shroud, ribs Nos. 4B, 5A, 6 and 6A, 20 SWG	4	L.72	LM	LH50			
	10 WC 7085	PLATE , gusset, at bottom skin edge member, 20 SWG	5	L.73	LM	LH50			
	10-20 WE 2775A/ND	SKIN , bottom, outer flap shroud, Port, assembly (For spares use 10-20 WE 10677A/ND)	1	—	—	LH50			

**MAIN PLANES
WING EXTENSION**

Ref. No.	Part No.	Description										No. off	Material Specification	Class of Store or L.M.	Plate No.
		1	2	3	4	5	6	7	8	9	10				
20119	10-20 WE 10677A/ND	SKIN, bottom, outer flap shroud, Port, assembly (Spares condition)										1	—	—	
	10-20 WE 2776A/ND	SKIN, bottom, outer flap shroud, Starboard, assembly (For spares use 10-20 WE 10678A/ND)										1	—	—	LH50
20120	10-20 WE 10678A/ND	SKIN, bottom, outer flap shroud, Starboard, assembly (Spares condition)										1	—	C	
	10-20 WE 2781ND	MEMBER, edge, bottom skin, Port, 20 SWG										1	L.72	—	LH50
	10-20 WE 2782ND	MEMBER, edge, bottom skin, Starboard, 20 SWG										1	L.72	—	LH50
	10-20 WE 2777ND	SKIN, bottom, Port, 20 SWG										1	L.72	—	LH50
	10-20 WE 2778ND	SKIN, bottom, Starboard, 20 SWG										1	L.73	—	LH50
	10-20 WE 3385	STRIP, reinforcing, bottom skin, Port, 14 SWG										1	L.73	—	LH50
	10-20 WE 3386	STRIP, reinforcing, bottom skin, Starboard, 14 SWG										1	L.73	—	LH50
	10-20 WE 2773A	SKIN, top, complete with ribs, outer flap shroud, Port, assembly										1	—	—	LH51
	10-20 WE 2774A	SKIN, top, complete with ribs, outer flap shroud, Starboard, assembly										1	—	—	LH51
	10-20 WE 3407	BLOCK, mounting, for buffer lever adjusting screw, ribs Nos. 5 and 6A										2	DTD.363	—	LH51
		Attachments for 10-20 WE 3407, Block: —													
28D/1011024	A25/21C	Bolt, 2 BA										2	—	C	
28M/9403520	A27/CP	Nut, 2 BA										2	—	C	
28W/9419404	SP.16/C	Washer										2	—	C	
	10-20 WE 2761	BRACKET, attachment, at ribs Nos. 4B, 5, 5A and 6, 20 SWG										5	L.72	LM	LH51
	10-20 WE 2763	BRACKET, attachment, at ribs Nos. 4B, 5A, 6 and 6A, 20 SWG										11	L.72	LM	LH51
	10-20 WE 3397	BRACKET, attachment at rib No. 5A, 18 SWG										1	L.72	LM	LH51
	10-20 WE 5499	BRACKET, attachment, at buffer lever channel, adjacent to rib No. 6A, 20 SWG										1	L.73	LM	LH51
	10 WC 11823	BRACKET, attachment, at ribs Nos. 4B, 5A, 6 and 6A, 20 SWG										4	L.72	LM	LH51
	10 WC 11825	BRACKET, attachment, at buffer lever channel, adjacent to rib No. 5, 20 SWG										1	L.72	LM	LH51
	10-20 WC 24929	BRACKET, attachment, at rib No. 5, 20 SWG										1	L.73	LM	LH51
	10 WC 11819	BRACKET, attachment at rib No. 5, Port, 20 SWG										3	L.72	LM	LH51
	10 WC 11820	BRACKET, attachment, at rib No. 5, Starboard, 20 SWG										3	L.72	LM	LH51
	10 WC 11821	BRACKET, attachment, at ribs Nos. 4B, 5A, 6 and 6A, Port, 20 SWG										12	L.72	LM	LH51
	10 WC 11822	BRACKET, attachment, at ribs Nos. 4B, 5A, 6 and 6A, Starboard, 20 SWG										12	L.72	LM	LH51
	10-20 WE 3409	BRACKET, reinforcing, at rib No. 4B, Port, 20 SWG										1	L.73	LM	LH51
	10-20 WE 3410	BRACKET, reinforcing, at rib No. 4B, Starboard, 20 SWG										1	L.72	LM	LH51
	10-20 WE 3411	BRACKET, reinforcing, at rib No. 5A, Port, 20 SWG										1	L.73	LM	LH51

**MAIN PLANES
WING EXTENSION**

Ref. No.	Part No.	Description										No. off	Material Specification	Class of Store or L.M.	Plate No.	
		1	2	3	4	5	6	7	8	9	10					
	10-20 WE 3412											BRACKET , reinforcing, at rib No. 5A, Starboard, 20 SWG	1	L.73	LM	LH51
	10-20 WE 3413											BRACKET , reinforcing, at rib No. 6, Port, 20 SWG	1	L.73	LM	LH51
	10-20 WE 3414											BRACKET , reinforcing, at rib No. 6, Starboard, 20 SWG	1	L.73	LM	LH51
	10-20 WE 2855A											CHANNEL , stiffener, for inner buffer lever at rib No. 5, Port, assembly	1	—	—	LH51
	10-20 WE 2856A											CHANNEL , stiffener, for inner buffer lever at rib No. 5, Starboard, assembly	1	—	—	LH51
	10-20 WE 3015											BRACKET , Port, 18 SWG	1	L.72	LM	LH51
	10-20 WE 3016											BRACKET , Starboard, 18 SWG	1	L.72	LM	LH51
	10-20 WE 2869ND											PLATE , bearing, Port, 8 SWG	1	L.73	LM	LH51
	10-20 WE 2870ND											PLATE , bearing, Starboard, 8 SWG	1	L.73	LM	LH51
	10-20 WE 2859A											CHANNEL , stiffener, for outer buffer lever at rib No. 6A, Port, assembly	1	—	—	LH51
	10-20 WE 2860A											CHANNEL , stiffener, for outer buffer lever at rib No. 6A, Starboard, assembly	1	—	—	LH51
	10-20 WE 3013											BRACKET , Port, 18 SWG	1	L.72	LM	LH51
	10-20 WE 3014											BRACKET , Starboard, 18 SWG	1	L.72	LM	LH51
	10-20 WE 2867ND											PLATE , bearing, 20 SWG	1	L.73	LM	LH51
2647	10-20 WE 4409											LEVER , buffer, for flap, at ribs Nos. 5 and 6A Attachments for 10-20 WE 4409, Lever:—	2	—	C	LH51
28D/12571	A25/21E											Bolt, 1/2" BSF	1	—	C	
28M/1011467	A27/ES											Nut, 1/2" BSF	1	—	C	
28P/1007741	SP.9/C8											Pin, split	1	—	C	
	10-20 WE 4433ND											Tube, distance, 3/8" o/d x 16 SWG	1	T.59	LM	LH51
28W/9418921	SP.13/E											Washer	1	—	C	
28W/9419466	SP.13/J											Washer, packing	1	—	C	
	10-20 WE 3403											LUG , anchorage, for buffer lever spring, ribs Nos. 6 and 6A, Port, 18 SWG	2	L.72	LM	LH51
	10-20 WE 3404											LUG , anchorage, for buffer lever spring, ribs Nos. 5 and 6A, Starboard, 18 SWG	2	L.72	LM	LH51
	10-20 WE 2969ND											PLATE , closing, at trailing edge, outer flap shroud, Port, 22 SWG	1	L.72	—	LH51
	10-20 WE 2970ND											PLATE , closing, at trailing edge, outer flap shroud, Starboard, 22 SWG	1	L.72	—	LH51
	10-20 WE 2861											PLATE , gusset, for buffer lever mounting at ribs Nos. 5 and 6A, Port, 22 SWG	2	L.72	LM	LH51
	10-20 WE 2862											PLATE , gusset, for buffer lever mounting at ribs Nos. 5 and 6A, Starboard, 22 SWG	2	L.72	LM	LH51
	10-20 WE 3395											PLATE , gusset, at ribs Nos. 4B, 5A and 6, Port, 20 SWG	3	L.72	LM	LH51
	10-20 WE 3396											PLATE , gusset, at ribs Nos. 4B, 5A and 6, Starboard, 20 SWG	3	L.72	LM	LH51
	10-20 WE 2757A											RIB , shroud, No. 4B, Port, assembly (For spares use 10-20 WE 6117A/ND)	1	—	—	LH51
11170	10-20 WE 6117A/ND											RIB , shroud, No. 4B, Port, assembly (Spares condition)	1	—	—	
	10-20 WE 2758A											RIB , shroud, No. 4B, Starboard, assembly (For spares use 10-20 WE 6118A/ND)	1	—	—	LH51

MAIN PLANES
WING EXTENSION

Ref. No.	Part No.	Description										No. off	Material Specification	Class of Store or L.M.	Plate No.	
		1	2	3	4	5	6	7	8	9	10					
11171	10-20 WE 6118A/ND											RIB , shroud, No. 4B, Starboard, assembly (Spares condition) Spares for :—	1	—	—	
	10-20 WE 2753ND											ANGLE , reinforcing, bottom, Port, 22 SWG	1	L.73	—	LH51
	10-20 WE 2754ND											ANGLE , reinforcing, bottom, Starboard 22 SWG	1	L.73	—	LH51
	10-20 WE 2751ND											ANGLE , reinforcing, top, Port, 22 SWG	1	L.73	—	LH51
	10-20 WE 2752ND											ANGLE , reinforcing, top, Starboard, 22 SWG	1	L.73	—	LH51
2633	10 WC 7369											BLOCK , trailing edge, Port	1	LFS.21	C	LH51
2635	10 WC 7370											BLOCK , trailing edge, Starboard	1	LFS.21	C	LH51
	10-20 WE 3383											BRACKET , mounting, 18 SWG	1	L.72	LM	LH51
	10-20 WE 3111A											RIB , shroud, No. 5, Port, assembly (For Spares use 10-20 WE 6101A/ND)	1	—	—	LH51
11178	10-20 WE 6101A/ND											RIB , shroud, No. 5, Port, assembly (Spares condition)	1	—	—	
	10-20 WE 3112A											RIB , shroud, No. 5, Starboard, assembly (For Spares use 10-20 WE 6102A/ND)	1	—	—	LH51
11179	10-20 WE 6102A/ND											RIB , shroud, No. 5, Starboard, assembly (Spares condition) Spares for :—	1	—	—	
	10-20 WE 3117ND											ANGLE , reinforcing, bottom, Port (Make from standard section J.826, Ref. No. 26FY/2977)	1	—	LM	LH51
	10-20 WE 3118ND											ANGLE , reinforcing, bottom, Starboard (Make from standard section J.826, Ref. No. 26FY/2977)	1	—	LM	LH51
	10-20 WE 3115ND											ANGLE , reinforcing, top, Port, 22 SWG	1	L.72	LM	LH51
	10-20 WE 3116ND											ANGLE , reinforcing, top, Starboard, 22 SWG	1	L.73	LM	LH51
2633	10 WC 7369											BLOCK , trailing edge, Port	1	LFS.21	C	LH51
2635	10 WC 7370											BLOCK , trailing edge, Starboard	1	LFS.21	C	LH51
	10-20 WE 3093											BRACKET , attachment, Port, 18 SWG	1	L.73	—	LH51
	10-20 WE 3094											BRACKET , attachment, Starboard, 18 SWG	1	L.73	—	LH51
	10-20 WE 2759ND											PLATE , bearing, 20 SWG	1	L.73	—	LH51
	10-20 WE 3103A											RIB , shroud, No. 5A, Port, assembly (For Spares use 10-20 WE 6133A/ND)	1	—	—	LH51
11176	10-20 WE 6133A/ND											RIB , shroud, No. 5A, Port, assembly (Spares condition)	1	—	—	
	10-20 WE 3104A											RIB , shroud, No. 5A, Starboard, assembly (For Spares use 10-20 WE 6134A/ND)	1	—	—	LH51
11177	10-20 WE 6134A/ND											RIB , shroud, No. 5A, Starboard, assembly (Spares condition) Spares for :—	1	—	—	
	10-20 WE 3107ND											ANGLE , reinforcing, bottom, Port (Make from standard section J.826, Ref. No. 26FY/2977)	1	—	LM	LH51
	10-20 WE 3108ND											ANGLE , reinforcing, bottom, Starboard (Make from standard section J.826, Ref. No. 26FY/2977)	1	—	LM	LH51
	10-20 WE 3105ND											ANGLE , reinforcing, top, Port (Make from standard section J.826, Ref. No. 26FY/2977)	1	—	LM	LH51

MAIN PLANES
WING EXTENSION

Ref. No.	Part No.	Description	No. off	Material Specification	Class of Store or L.M.	Plate No.			
							1	2	3
	10-20 WE 3106ND	ANGLE , reinforcing, top, Starboard (Make from standard section J.826, Ref. No. 26FY/2977)	1	—	LM	LH51			
2633	10 WC 7369	BLOCK , trailing edge, Port	1	LFS.21	C	LH51			
2635	10 WC 7370	BLOCK , trailing edge, Starboard ...	1	LFS.21	C	LH51			
	10-20 WE 3383	BRACKET , mounting, 18 SWG ...	1	L.72	LM	LH51			
	10-20 WE 3095A	RIB , shroud, No. 6, Port, assembly (For Spares use 10-20 WE 6109A/ND)	1	—	—	LH51			
11174	10-20 WE 6109A/ND	RIB , shroud, No. 6, Port, assembly (Spares condition)	1	—	—				
	10-20 WE 3096A	RIB , shroud, No. 6, Starboard, assembly (For Spares use 10-20 WE 6110A/ND)	1	—	—	LH51			
11175	10-20 WE 6110A/ND	RIB , shroud, No. 6, Starboard, assembly (Spares condition) Spares for :—	1	—	—				
	10-20 WE 3101ND	ANGLE , reinforcing, bottom, Port (Make from standard section J.826, Ref. No. 26FY/2977)	1	—	LM	LH51			
	10-20 WE 3102ND	ANGLE , reinforcing, bottom, Starboard (Make from standard section J.826, Ref. No. 26FY/2977)	1	—	LM	LH51			
	10-20 WE 3099ND	ANGLE , reinforcing, top, Port (Make from standard section J.826, Ref. No. 26FY/2977)	1	—	LM	LH51			
	10-20 WE 3100ND	ANGLE , reinforcing, top, Starboard (Make from standard section J.826, Ref. No. 26FY/2977)	1	—	LM	LH51			
2633	10 WC 7369	BLOCK , trailing edge, Port	1	LFS.21	C	LH51			
2635	10 WC 7370	BLOCK , trailing edge, Starboard ...	1	LFS.21	C	LH51			
	10-20 WE 3085A	RIB , shroud, No. 6A, Port, assembly (For Spares use 10-20 WE 6125A/ND)	1	—	—	LH51			
11172	10-20 WE 6125A/ND	RIB , shroud, No. 6A, Port, assembly (Spares condition)	1	—	—				
	10-20 WE 3086A	RIB , shroud, No. 6A, Starboard, assembly For Spares use 10-20 WE 6126A/ND)	1	—	—	LH51			
11173	10-20 WE 6126A/ND	RIB , shroud, No. 6A, Starboard, assembly (Spares condition) Spares for :—	1	—	—				
	10-20 WE 3091ND	ANGLE , reinforcing, bottom, Port (Make from standard section J.826, Ref. No. 26FY/2977)	1	—	LM	LH51			
	10-20 WE 3092ND	ANGLE , reinforcing, bottom, Starboard (Make from standard section J.826, Ref. No. 26FY/2977)	1	—	LM	LH51			
	10-20 WE 3089ND	ANGLE , reinforcing, top, Port, 22 SWG	1	L.73	—	LH51			
	10-20 WE 3090ND	ANGLE , reinforcing, top, Starboard, 22 SWG	1	L.73	—	LH51			
2633	10 WC 7369	BLOCK , trailing edge, Port	1	LFS.21	C	LH51			
2635	10 WC 7370	BLOCK , trailing edge, Starboard ...	1	LFS.21	C	LH51			
	10-20 WE 2989	BRACKET , attachment, Port, 18 SWG	1	L.72	—	LH51			
	10-20 WE 2990	BRACKET , attachment, Starboard, 18 SWG	1	L.72	—	LH51			
	10-20 WE 3383	BRACKET , mounting, 18 SWG ...	1	L.72	LM	LH51			
	10-20 WE 2511ND	PLATE , bearing, Port, 8 SWG ...	1	L.73	—	LH51			
	10-20 WE 2512ND	PLATE , bearing, Starboard, 8 SWG ...	1	L.73	—	LH51			

MAIN PLANES
WING EXTENSION

Ref. No.	Part No.	Description	No. off	Material Specification	Class of Store or L.M.	Plate No.			
							1	2	3
2648	10-20 WC 3961	SCREW , adjuster, for buffer lever, at outer flap shroud, ribs Nos. 5A and 6A, Attachments for 10-20 WE 3961, Screw :— Nut, 1" BSF	2	—	C	LH51			
28M/1007403	A27/ET		1	—	C				
17484	10-20 WE 10075	SECTION , trailing edge, outer flap shroud, Port (Mod. 1181)	1	—	C	LH51			
17485	10-20 WE 10076	SECTION , trailing edge, outer flap shroud, Starboard (Mod. 1181)	1	—	C	LH51			
	10-20 WE 2885A	SKIN , top, complete with intercostals, outer flap shroud, Port, assembly (For spares use 10-20 WE 10669A/ND)	1	—	—	LH52			
20081	10-20 WE 10669A/ND	SKIN , top, complete with intercostals, outer flap shroud, Port, assembly (Spares condition)	1	—	C				
	10-20 WE 2886A	SKIN , top, complete with intercostals, outer flap shroud, Starboard, assembly (For spares use 10-20 WE 10670A/ND)	1	—	—	LH52			
20082	10-20 WE 10670A/ND	SKIN , top, complete with intercostals, outer flap shroud, Starboard, assembly (Spares condition)	1	—	C				
	10-20 WE 2761	BRACKET , attachment, at inboard end rib, 20 SWG	1	L.72	LM	LH52			
	10-20 WE 2763	BRACKET , attachment, at outboard end rib, 22 SWG	1	L.72	LM	LH52			
	10-20 WE 2865	BRACKET , stirrup, at ribs Nos. 5 and 6A, Port, 20 SWG	2	L.72	LM	LH52			
	10-20 WE 2866	BRACKET , stirrup, at ribs Nos. 5 and 6A, Starboard, 20 SWG	2	L.72	LM	LH52			
14219	10-20 WE 6597A	COVER , access, L.H., at rib No. 6A	1	—	C	LH52			
14220	10-20 WE 6598A	COVER , access, R.H., at rib No. 5 Attachments for 10-20 WE 6597A or 10-20 WE 6598A, Cover :—	1	—	C	LH52			
20084	DHS.825/1C	Bolt, 2 BA	3	—	C	LH52			
	10-20 WE 3017A/ND	PANEL , top skin, outer flap shroud, Port, assembly	1	—	—	LH52			
	10-20 WE 3018A/ND	PANEL , top skin, outer flap shroud, Starboard, assembly Spares for :—	1	—	—	LH52			
	10-20 WE 2971ND	PANEL , top skin, Port, 20 SWG	1	DTD.746	—	LH52			
	10-20 WE 2972ND	PANEL , top skin, Starboard, 20 SWG	1	DTD.746	—	LH52			
	10-20 WE 2973A	RIB , end, outer flap shroud, inboard, Port, assembly	1	—	—	LH52			
	10-20 WE 2974A	RIB , end, outer flap shroud, inboard, Starboard, assembly Spares for :—	1	—	—	LH52			
2633	10 WC 7369	BLOCK , trailing edge, Port	1	—	C	LH52			
2635	10 WC 7370	BLOCK , trailing edge, Starboard	1	—	C	LH52			
	10-20 WE 2975A	RIB , end, outer flap shroud, outboard, Port, assembly	1	—	—	LH52			
	10-20 WE 2976A	RIB , end, outer flap shroud, outboard, Starboard, assembly Spares for :—	1	—	—	LH52			
2633	10 WC 7369	BLOCK , trailing edge, Port	1	—	C	LH52			
2635	10 WC 7370	BLOCK , trailing edge, Starboard	1	—	C	LH52			

**MAIN PLANES
WING EXTENSION**

Ref. No.	Part No.	Description	No. off	Material Specification	Class of Store or L.M.	Place No.			
							1	2	3
2649	10-20 WE 3405	SPRING , for buffer lever, at outer flap shroud ribs Nos. 5 and 6A Attachments for 10-20 WE 2225A/ND, 10-20 WE 2226A/ND, 10-20 WE 10189A/ND or 10-20 WE 10190A/ND, Shroud :—	2	—	C	LH52			
28D/9133012	A25/3C	Bolt, 2 BA } Nut, 2 BA } at trailing edge member ... Washer	2	—	C				
28M/1006473	A27/CT		2	—	C				
28V/9419402	SP.13/C		2	—	C				
	10-20 WE 10667A/ND		1	—	—				
28M/11957	AGS.2007/C/1	STIFFENER , door, landing, assembly, Port ...	1	—	—				
28M/12421	AGS.2018/C/1	NUT , anchor, 2 BA	7	—	C				
	DHS.877/C/16	NUT , anchor, 2 BA	1	—	C				
	DHS.878/C/16	PLATE , packing	7	—	LM				
20046	10-20 WE 10655ND	PLATE , packing	1	—	LM	LH50			
	10-20 WE 10668A/ND	PLATE , packing	1	—	C				
28M/11957	AGS.2007/C/1	STIFFENER	1	—	—				
28M/12421	AGS.2018/C/1	STIFFENER , door, landing assembly, Starboard	1	—	—				
	DHS.877/C/16	NUT , anchor, 2 BA	7	—	C				
	DHS.878/C/16	NUT , anchor, 2 BA	1	—	C				
	10-20 WE 10656ND	PLATE , packing	7	—	LM				
	10-20 WE 5267A/3	PLATE , packing	1	—	LM				
20047	10-20 WE 5268A/3	PLATE , packing	1	—	C	LH50			
		STRUCTURE , ribs Nos. 4A to 8, Port, assembly	1	—	—	LH17			
		STRUCTURE , ribs Nos. 4A to 8, Starboard, assembly (Mod. 2)	1	—	—	LH17			
		Spare for :—							
3648	10-20 WE 3817A	COVER , manhole, at rib No. 5, aft, Port, assembly	1	—	P	LH18			
3649	10-20 WE 3818A	COVER , manhole, at rib No. 5, aft, Starboard, assembly	1	—	P	LH18			
		Spare for :—							
26DV/11369	DHS.386/G	NUT , anchor, 1/8" BSF, cover attachments	54	—	C	LH18			
3644	10-20 WE 3911	PLUG , locating	2	—	C	LH18			
3645	10-20 WE 3975	RING , sealing	1	—	C	LH18			
	10-20 WE 4089	STIFFENER , aft (Make from standard section J.2213)	1	—	—	LH18			
		Attachments for 10-20 WE 4089, Stiffener :—							
4355	DHS.393/3EE	Bolt, 1/2" BSF	6	—	C				
2225	DHS.393/5EE	Bolt, 1/2" BSF	4	—	C				
26DV/7310	DHS.202/E	Nut, 1/2" BSF	10	—	C				
2358	DHS.388/G	Washer, sealing	2	—	C				

**MAIN PLANES
WING EXTENSION**

Ref. No.	Part No.	Description										No. off	Material Specification	Class of Store or L.M.	Plate No.
		1	2	3	4	5	6	7	8	9	10				
	10-20 WE 4091	STIFFENER , forward, Port (Make from standard section J.2213)										1	—	—	LH18
	10-20 WE 4092	STIFFENER , forward, Starboard (Make from standard section J.2213)										1	—	—	LH18
		Attachments for 10-20 WE 4091 or 10-20 WE 4092, Stiffener :—													
4355	DHS.393/3EE	Bolt, 1/2" BSF										5	—	C	
2225	DHS.393/5EE	Bolt, 1/2" BSF										5	—	C	
26DV/7310	DHS.202/E	Nut, 1/2" BSF										10	—	C	
2358	DHS.388/G	Washer, sealing										2	—	C	
3782	DHS.396/G	WASHER , plate, under anchor nuts ...										54	—	C	LH18
26FC/8947	DHS.388/J	WASHER , sealing, under locating plugs ...										2	—	C	LH18
		Attachments for 10-20 WE 3817A or 10-20 WE 3818A, Cover :—													
19909	DHS.823/4 1/2 G	Bolt, 3/8" BSF										45	—	C	
19911	DHS.823/5 1/2 G	Bolt, 3/8" BSF										3	—	C	
19912	DHS.823/6 G	Bolt, 3/8" BSF										5	—	C	
19914	DHS.823/7 G	Bolt, 3/8" BSF										1	—	C	
3647	10-20 WE 3815A	COVER , manhole at rib No. 7, forward, assembly										1	—	P	LH18
		Spares for :—													
26DV/11369	DHS.386/G	NUT , anchor, 3/8" BSF, cover attachments ...										50	—	C	LH18
3644	10-20 WE 3911	PLUG , locating										2	—	C	LH18
3645	10-20 WE 3975	RING , sealing										1	—	C	LH18
	10-20 WE 3921	STIFFENER (Make from standard section J.2213)										2	—	—	LH18
		Attachments for 10-20 WE 3921, Stiffener :—													
5936	DHS.393/2EE	Bolt, 1/2" BSF										6	—	C	LH18
2225	DHS.393/5EE	Bolt, 1/2" BSF										4	—	C	LH18
26DV/7310	DHS.202/E	Nut, 1/2" BSF										10	—	C	LH18
2358	DHS.388/G	Washer, sealing										2	—	C	LH18
3782	DHS.396/G	WASHER , plate, under anchor nuts ...										50	—	C	LH18
26FC/8947	DHS.388/J	WASHER , sealing, under locating plugs ...										2	—	C	LH18
		Attachments for 10-20 WE 3815A, Cover :—													
19909	DHS.823/4 1/2 G	Bolt, 3/8" BSF										46	—	C	
19911	DHS.823/5 1/2 G	Bolt, 3/8" BSF										4	—	C	
99	S10-20 WE 107	COVER , manhole, complete with pump, No. 3 tank, Port, group (Drg. No. 10-20 P 8067A) (Mod. 984)										1	—	—	
		COVER , manhole, No. 3 tank, Port (Spares assembly, c/w attachments)										1	—	P	LH19
3650	10-20 WE 3821A	COVER , manhole, assembly										1	—	C	LH19
26DL/7846	DHS.386/G	NUT , anchor, 3/8" BSF, cover attachments										50	—	C	LH19
3644	10-20 WE 3911	PLUG , locating										2	—	C	LH19
3651	10-20 WE 3977	RING , sealing										1	—	C	LH19
	10-20 WE 3903	STIFFENER , aft (Make from standard section J.2213)										1	—	—	LH19
		Attachments for 10-20 WE 3903, Stiffener :—													
2361	DHS.393/3 1/2 EE	Bolt, 1/2" BSF										4	—	C	LH19
2225	DHS.393/5EE	Bolt, 1/2" BSF										4	—	C	LH19
26FW/1060	DHS.202/E	Nut, 1/2" BSF										8	—	C	LH19
2358	DHS.388/G	Washer, sealing										2	—	C	LH19

**MAIN PLANES
WING EXTENSION**

Ref. No.	Part No.	Description	Quantity										Material Specification	Class of Store or L.M.	Plate No.
			1	2	3	4	5	6	7	8	9	10			
	10-20 WE 3907	STIFFENER , forward (Make from standard section J.2213) Attachments for 10-20 WE 3907, Stiffener :-	1										—	—	LH19
4355	DHS.393/3EE	Bolt, 1/2" BSF ...	5										—	C	LH19
2225	DHS.393/5EE	Bolt, 1/2" BSF ...	4										—	C	LH19
26FW/1060	DHS.202/E	Nut, 1/2" BSF ...	9										—	C	LH19
2358	DHS.388/G	Washer, sealing ...	2										—	C	LH19
3782	DHS.396/G	WASHER , place, under anchor nuts ...	50										—	C	LH19
26FC/8947	DHS.288/J	WASHER , sealing, under locating plugs	2										—	C	LH19
		Attachments for 10-20 WE 3821A, Cover :-													
19909	DHS.823/4 1/2 G	Bolt, 3/8" BSF ...	38										—	C	LH19
19911	DHS.823/5 1/2 G	Bolt, 3/8" BSF ...	3										—	C	LH19
19912	DHS.823/6 G	Bolt, 3/8" BSF ...	8										—	C	LH19
19914	DHS.823/7 G	Bolt, 3/8" BSF ...	1										—	C	LH19
3646	10-20 P 2437A	MOUNTING , pump, assembly (Not supplied with spares assembly) Spares for :-	1										—	P	LH19
3639	10-20 P 2443	STUD , special ...	2										—	C	LH19
3640	10-20 P 2445	STUD , special ...	2										—	C	LH19
		Attachments for 10-20 P 2443 or 10-20 P 2445, Stud :-													
3641	10-20 P 2441ND	Pin, 1/8" ...	1										—	C	LH19
		Attachments for 10-20 P 2437A, Mounting :-													
3780	DHS.395/4 1/2 E	Bolt, 1/2" BSF ...	4										—	C	LH19
3797	DHS.395/6 E	Bolt, 1/2" BSF ...	2										—	C	LH19
28M/13271	A24/EP	Nut, 1/2" BSF ...	6										—	C	LH19
28W/9419487	SP.16/E	Washer ...	6										—	C	LH19
2359	DHS.388/E	Washer, sealing ...	6										—	C	LH19
		PUMP , booster, fuel (See sub-section QG)	—										—	—	—
3642	10 N 915	RING , seal (Not supplied with spares assembly)	1										—	C	LH19
		COVER , manhole, complete with pump, No. 3 tank, Starboard, group (Drg. No. 10-20 P 8069A) (Mod. 984)	1										—	—	—
100	S10-20 WE 108	COVER , manhole, No. 3 tank, Starboard (Spares assembly, c/w attachment)	1										—	P	LH19
3652	10-20 WE 3823A	COVER , manhole, assembly ...	1										—	C	LH19
26DL/7846	DHS.386/G	NUT , anchor, 1/8" BSF, cover attachments	50										—	C	LH19
3644	10-20 WE 3911	PLUG , locating ...	2										—	C	LH19
3651	10-20 WE 3977	RING , sealing ...	1										—	C	LH19
	10-20 WE 3909	STIFFENER , aft (Make from standard section J.2213) Attachments for 10-20 WE 3909, Stiffener :-	1										—	—	LH19
2361	DHS.393/3 1/2 EE	Bolt, 1/2" BSF ...	4										—	C	LH19
2225	DHS.393/5EE	Bolt, 1/2" BSF ...	4										—	C	LH19
26FW/1060	DHS.202/E	Nut, 1/2" BSF ...	8										—	C	LH19
2358	DHS.388/G	Washer, sealing ...	2										—	C	LH19
	10-20 WE 3905	STIFFENER , forward (Make from standard section J.2213) Attachments for 10-20 WE 3905, Stiffener :-	1										—	—	LH19
4355	DHS.393/3EE	Bolt, 1/2" BSF ...	5										—	C	LH19
2225	DHS.393/5EE	Bolt, 1/2" BSF ...	4										—	C	LH19
26FW/1060	DHS.202/E	Nut, 1/2" BSF ...	9										—	C	LH19
2358	DHS.388/G	Washer, sealing ...	2										—	C	LH19

MAIN PLANES
WING EXTENSION

Ref. No.	Part No.	Description	No.										Material Specification	Class of Score or L.M.	Plate No.		
			1	2	3	4	5	6	7	8	9	10					
3782	DHS.396/G	WASHER , plate, under anchor nuts ...												50	—	C	LH19
26FC/8947	DHS.388/J	WASHER , sealing, under locating plugs												2	—	C	LH19
		Attachments for 10-20 WE 3823A, Cover :—															
19909	DHS.823/4½G	Bolt, ½" BSF ...												38	—	C	
19911	DHS.823/5½G	Bolt, ½" BSF ...												3	—	C	
19912	DHS.823/6G	Bolt, ½" BSF ...												8	—	C	
19914	DHS.823/7G	Bolt, ½" BSF ...												1	—	C	
3638	10-20 P 2439A	MOUNTING , pump, assembly (Not supplied with spares assembly)												1	—	P	LH19
		Spares for :—															
3639	10-20 P 2443	STUD , special ...												2	—	C	LH19
3640	10-20 P 2445	STUD , special ...												2	—	C	LH19
		Attachments for 10-20 P 2443 or 10-20 P 2445, Stud :—															
3641	10-20 P 2441ND	Pin, ½" ...												1	—	C	LH19
		Attachments for 10-20 P 2439A, Mounting :—															
3780	DHS.395/4½E	Bolt, ½" BSF ...												4	—	C	
3797	DHS.395/6E	Bolt, ½" BSF ...												1	—	C	
28M/13271	A24/EP	Nut, ½" BSF ...												5	—	C	
28WV/9419487	SP.16/E	Washer ...												5	—	C	
2359	DHS.388/E	Washer, sealing ...												5	—	C	
		PUMP , booster, fuel (See sub-section QG)												—	—	—	
3642	10 N 915	RING , sealing (Not supplied with spares assembly)												1	—	C	LH19
		COVER , manhole, complete with pump, No. 4 tank, Port, group (Drg. No. 10-20 P 8071A)(Mod. 984)												1	—	—	LH19
101	S10-20 WE 109	COVER , manhole, No. 4, tank, Port (Spares assembly, c/w attachments)												1	—	P	LH19
3643	10-20 WE 3811A	COVER , manhole, assembly ...												1	—	C	LH19
26DL/7846	DHS.386/G	NUT , anchor, ½" BSF, cover attachments												51	—	C	LH19
3644	10-20 WE 3911	PLUG , locating ...												2	—	C	LH19
3645	10-20 WE 3975	RING , sealing ...												1	—	C	LH19
	10-20 WE 3831	STIFFENER , aft (Make from standard section J.2213)												1	—	—	LH19
		Attachments for 10-20 WE 3831, Stiffener :—															
5936	DHS.393/2EE	Bolt, ½" BSF ...												3	—	C	LH19
2361	DHS.393/3½EE	Bolt, ½" BSF ...												2	—	C	LH19
2225	DHS.393/5EE	Bolt, ½" BSF ...												4	—	C	LH19
26FW/1060	DHS.202/E	Nut, ½" BSF ...												9	—	C	LH19
26FC/8947	DHS.388/J	Washer, sealing ...												2	—	C	LH19
	10-20 WE 3829	STIFFENER , forward (Make from standard section J.2213)												1	—	—	LH19
		Attachments for 10-20 WE 3829, Stiffener :—															
5936	DHS.393/2EE	Bolt, ½" BSF ...												6	—	C	LH19
2225	DHS.393/5EE	Bolt, ½" BSF ...												4	—	C	LH19
26FW/1060	DHS.202/E	Nut, ½" BSF ...												10	—	C	LH19
26FC/8947	DHS.388/J	Washer, sealing ...												2	—	C	LH19

MAIN PLANES
WING EXTENSION

Ref. No.	Part No.	Description	1 2 3 4 5 6 7 8 9 10										No. off	Material Specification	Class of Store or L.M.	Place No.
			3782 26FC 8947	DHS.396 G DHS.388 J	WASHER, plate, under anchor nuts ... WASHER, sealing, under locating plugs											
19909 19911	DHS.823 4 G DHS.823 5 G	Attachments for 10-20 WE 3811A, Cover :— Bolt, 3/8" BSF ... Bolt, 3/8" BSF ...											47 4	— —	C C	LH19 LH19
3638	10-20 P 2439A	MOUNTING, pump, assembly (Not supplied with spares assembly) Spares for :—											1	—	P	LH19
3639 3640	10-20 P 2443 10-20 P 2445	STUD, special ... STUD, special ... Attachments for 10-20 P 2443 or 10-20 P 2445, Stud :—											2 2	— —	C C	LH19 LH19
3641	10-20 P 2441ND	Pin, 1/16" ... Attachments for 10-20 P 2439A, Mounting :—											1	—	C	LH19
3780 3797 28M, 13271 28W/9419487 2359	DHS.395 4 E DHS.395 6 E A24 EP SP.16 E DHS.388 E	Bolt, 1/2" BSF ... Bolt, 1/2" BSF ... Nut, 1/2" BSF ... Washer ... Washer, sealing ...											4 1 5 5 5	— — — — —	C C C C C	LH19 LH19 LH19 LH19 LH19
3642	10 N 915	PUMP, booster, fuel (See sub-section QG) ... RING, seal (Not supplied with spares assembly) COVER, manhole, complete with pump, No. 4 tank, Starboard, group (Drg. No. 10-20 P 8073A) (Mod. 984)											— 1 1	— — —	— C —	— LH19 LH19
102	S10-20 WE 110	COVER, manhole, No. 4 tank, Starboard (Spares assembly, c/w attachments)											1	—	P	LH19
3784 26DL/7846 3644 3645	10-20 WE 3813A DHS.386 G 10-20 WE 3911 10-20 WE 3975 10-20 WE 3829	COVER, manhole, assembly ... NUT, anchor, 3/8" BSF, cover attachments PLUG, locating ... RING, sealing ... STIFFENER, aft (Make from standard section J.2213) Attachments for 10-20 WE 3829, Stiffener :—											1 50 2 1 1	— — — — —	C C C C —	LH19 LH19 LH19 LH19 LH19
5936 2225 26FW/1060 26FC 8947	DHS.393 2EE DHS.393 5EE DHS.202 E DHS.388 J	Bolt, 1/2" BSF ... Bolt, 1/2" BSF ... Nut, 1/2" BSF ... Washer, sealing ...											6 4 10 2	— — — —	C C C C	LH19 LH19 LH19 LH19
	10-20 WE 3831	STIFFENER, forward (Make from standard section J.2213) Attachments for 10-20 WE 3831, Stiffener:—											1	—	—	LH19
5936 2361 2225 26FW/1060 26FC 8947	DHS.393 2EE DHS.393 3 EE DHS.393 5EE DHS.202 E DHS.388 J	Bolt, 1/2" BSF ... Bolt, 1/2" BSF ... Bolt, 1/2" BSF ... Nut, 1/2" BSF ... Washer, sealing ...											3 2 4 9 2	— — — — —	C C C C C	LH19 LH19 LH19 LH19 LH19

MAIN PLANES
WING EXTENSION

Ref. No.	Part No.	Description	No. off	Material Specification	Class of Store or L.M.	Plate No.			
							1	2	3
3782	DHS.396/G	WASHER , plate, under anchor nuts ...	50	—	C	LH19			
26FC/8947	DHS.388/J	WASHER , sealing, under locating nuts	2	—	C	LH19			
		Attachments for 10-20 WE 3813A, Cover :—							
3780	DHS.395/4½E	Bolt, ½" BSF ...	4	—	C				
3797	DHS.395/6E	Bolt, ½" BSF ...	2	—	C				
19909	DHS.823/4½G	Bolt, ¾" BSF ...	46	—	C				
19911	DHS.823/5½G	Bolt, ¾" BSF ...	4	—	C				
28M/13271	A24/EP	Nut, ½" BSF ...	6	—	C				
28W/9419487	SP.16/E	Washer ...	6	—	C				
2359	DHS.388/E	Washer, sealing ...	6	—	C				
3646	10-20 P 2437A	MOUNTING , pump, assembly (Not supplied with spares assembly) Spares for :—	1	—	P	LH19			
3639	10-20 P 2443	STUD , special ...	2	—	C	LH19			
3640	10-20 P 2445	STUD , special ...	2	—	C	LH19			
		Attachments for 10-20 P 2443 or 10-20 P 2445, Stud :—							
3641	10-20 P 2441ND	Pin, ¼" ...	1	—	C	LH19			
		Attachments for 10-20 P 2437A, Mounting :—							
3780	DHS.395/4½E	Bolt, ½" BSF ...	4	—	C				
3797	DHS.395/6E	Bolt, ½" BSF ...	2	—	C				
28M/13271	A24/EP	Nut, ½" BSF ...	6	—	C				
28W/9419487	SP.16/E	Washer ...	6	—	C				
2359	DHS.388/E	Washer, sealing ...	6	—	C				
3642	10 N 915	PUMP , booster, fuel (See sub-section QG) ...	—	—	—				
		RING , sealing (Not supplied with spares assembly)	1	—	C	LH19			
		JOINT , trailing-edge, rib No. 4A, to rear spar, group (Drg. No. 10-20 WE 3745)	1	—	—	LH20			
	10-20 WE 2613	BRACKET , attachment, trailing edge to rear spar, bottom Port, top Starboard (For spares use 10-20 WE 6099ND)	2	—	—	LH20			
11138	10-20 WE 6099ND	BRACKET , attachment, trailing edge to rear spar, bottom Port, top Starboard (Spares condition)	2	—	C				
		Attachments for 10-20 WE 2613, Bracket :—							
2348	DHS.358/4E	Bolt, ½" BSF ...	1	—	C	LH20			
28D/7002427	A25/6G	Bolt, ¾" BSF ...	1	—	C				
28M/1007403	A27/ET	Nut, ½" BSF ...	1	—	C				
28M/1006939	A27/GP	Nut, ¾" BSF ...	1	—	C				
28W/9419488	SP.16/G	Washer ...	1	—	C				
	10-20 WE 2614	BRACKET , attachment, trailing edge to rear spar, top Port, bottom Starboard (For spares use 10-20 WE 6100ND)	2	—	—	LH20			
11139	10-20 WE 6100ND	BRACKET , attachment, trailing edge to rear spar, top Port, bottom Starboard (Spares condition)	2	—	C				
		Attachments for 10-20 WE 2614, Bracket :—							
2247	DHS.358/5½E	Bolt, ½" BSF ...	2	—	C	LH20			
28D/7002427	A25/6G	Bolt, ¾" BSF ...	1	—	C				
28M/1007403	A27/ET	Nut, ½" BSF ...	2	—	C				
28M/1006939	A27/GP	Nut, ¾" BSF ...	1	—	C				
28W/9419488	SP.16/G	Washer ...	1	—	C				

MAIN PLANES
WING EXTENSION

Ref. No.	Part No.	Description	No. off	Material Specification	Class of Store or L.M.	Place No.			
							1	2	3
	10-20 WE 2615	DIAPHRAGM , between rear spar and trailing edge, Port, 20 SWG	1	L.73	LM	LH20			
	10-20 WE 2616	DIAPHRAGM , between rear spar and trailing edge, Starboard, 20 SWG	1	L.73	LM	LH20			
		Attachments for 10-20 WE 2615 or 10-20 WE 2616, Diaphragm :-							
3223	DHS.901.3.G	Bolt, 5/16" BSF	7	—	C	LH20			
3326	DHS.901.4G	Bolt, 5/16" BSF	2	—	—	LH20			
2220	DHS.383.G	Nut, 5/16" BSF	9	—	—	LH20			
28W.9419476	SP.15.G	Washer	9	—	C	LH20			
	DHS.725.G.16	Washer, support	2	—	—	LH20			
5027	10-20 WE 2661	LUG , attachment, trailing edge	2	—	C	LH20			
		Attachments for 10-20 WE 2661, Lug :-							
341) 52104	A25.1C.DHS.514.D	Bolt, 2 BA (Alternative S21 A25 1C)	1	—	C	LH20			
28M/1011475	A27.EP	Nut, 1" BSF	1	—	C	LH20			
	10-20 WE 3669ND	PLATE , packing, at rear spar, 14 SWG	2	L.73	LM	LH20			
	10-20 WE 4653ND	STRIP , sealing, at rear spar (Make from standard section J.829)	1	—	—	LH20			
		Attachments for 10-20 WE 4653ND, Strip :-							
2364	DHS.901.2.E	Bolt, 1" BSF	4	—	C	LH20			
2227	DHS.983.E	Nut, 1" BSF	4	—	C	LH20			
26DL.5611	DHS.402.E	Seal, bonded	4	—	C	LH20			
2359	DHS.388.E	Washer, sealing	4	—	C	LH20			
	—	PYLON , support housing, group (Drg. No. 10-20 WE 5359)	1	—	—	LH21			
12879	10-20 WE 5383	BEARING , pylon drop tank screw jack	1	—	C	LH21			
		Attachments for 10-20 WE 5383, Bearing :-							
28D/5005	AS.1242.11B	Bolt, 4 BA	2	—	C	LH21			
28M/10287	AGS.2001.B.1	Nut, 4 BA	2	—	C	LH21			
12876	10-20 WE 5419	BUSH , air spigot (Pre Mod. 632)	1	—	C	LH21			
14983	10-20 WE 6599	BUSH , air spigot (Mod. 632)	1	—	C	LH21			
		Attachments for 10-20 WE 6599, Bush :-							
8439	DHS.901.17EE	Bolt, 1" BSF	2	—	C	LH21			
2227	DHS.983.E	Nut, 1" BSF	2	—	C	LH21			
27QA.410	DOWTY SP.910.20	Ring, sealing	1	—	C	LH21			
27QA.416	DOWTY SP.910.26	Ring, sealing	1	—	C	LH21			
	10-20 WE 6625	HOUSING , pylon support, Port, assembly (For spares use 10-20 WE 6853ND) (Mod. 632)	1	—	—	LH21			
15658	10-20 WE 6853ND	HOUSING , pylon support, Port, assembly (Spares condition) (Mod. 632)	1	—	P	LH21			
	10-20 WE 6626	HOUSING , pylon support, Starboard, assembly (For spares use 10-20 WE 6854ND)	1	—	—	LH21			
15659	10-20 WE 6854ND	HOUSING , pylon support, Starboard, assembly (Spares condition) (Mod. 632)	1	—	P	LH21			
		Spares for :-							
	10-20 WE 3671	BUSH	4	DTD.197	—	LH21			

MAIN PLANES
WING EXTENSION

Ref. No.	Part No.	Description										No. off	Material Specification	Class of Store or L.M.	Place No.
		1	2	3	4	5	6	7	8	9	10				
		Attachments for 10-20 WE 6625, or 10-20 WE 6626, Housing :—													
28D/17776	A59/12L	Bolt, 7/16" BSF	3	—	C	
28D/18020	A59/13L	Bolt, 7/16" BSF	1	—	C	
28M/13553	A27/LP	Nut, 7/16" BSF	4	—	C	
27QA/707	DOWTY SP.910D/13	Ring, sealing	4	—	C	
28W/9419489	SP.16/J	Washer	4	—	C	
28W/9419478	SP.15/L	Washer	4	—	C	
28F/9434373	AGS.1186/9	Washer, sealing	4	—	C	
	10-20 WE 5279	RIBLET , No. 5, nose, Port (For spares use 10-20 WE 6679ND)										1	—	—	LH21
14603	10-20 WE 6679ND	RIBLET , No. 5, nose, Port (Spares condition)										1	—	C	
	10-20 WE 5280	RIBLET , No. 5, nose, Starboard (For spares use 10-20 WE 6680ND)										1	—	—	LH21
14604	10-20 WE 6680ND	RIBLET , No. 5, nose, Starboard (Spares condition)										1	—	C	
		Attachments for 10-20 WE 5279 or 10-20 WE 5280 Riblet :—													
28D/9133011	A25/2C	Bolt, 2 BA	2	—	C	
28M/9403520	A27/CP	Nut, 2 BA	2	—	C	
28W/9419402	SP.13/C	Washer	2	—	C	
4620	10-20 WE 4403	RING , sealing, pylon housing at top skin,										1	—	C	LH21
12874	10-20 WE 5425	SHIM , pylon housing, at bottom skin										1	—	C	LH21
12875	10-20 WE 5423	SHIM , pylon housing at top skin										1	—	C	LH21
	10-20 A 3153	SPIGOT , front, Port										1	S.97	—	LH21
	10-20 A 3154	SPIGOT , front, Starboard										1	S.97	—	LH21
		Attachments for 10-20 A 3153 or 10-20 A 3154, Spigot :—													
	10-20 WE 4405	Pin, locking										1	S.1	—	LH21
	—	RIB , No. 4A, group (Drg. No. 10-20 WE 3351) Spares for :—										1	—	—	
	10-20 WE 4421	BLOCK , packing, centre bottom latch, Port										1	L.64	—	LH22
	10-20 WE 4422	BLOCK , packing, centre bottom latch, Starboard										1	L.64	—	LH22
	10-20 WE 4423	BLOCK , packing, forward bottom latch, Port										1	L.64	—	LH22
	10-20 WE 4424	BLOCK , packing, forward bottom latch, Starboard										1	L.64	—	LH22
	10-20 WE 4415	BLOCK , packing, front hinge, Port										1	L.64	—	LH22
	10-20 WE 4416	BLOCK , packing, front hinge, Starboard										1	L.64	—	LH22
	10-20 WE 4417	BLOCK , packing, front top latch, Port										1	L.64	—	LH22
	10-20 WE 4418	BLOCK , packing, front top latch, Starboard										1	L.64	—	LH22
	10-20 WE 4419	BLOCK , packing, rear bottom latch, Port										1	L.64	—	LH22
	10-20 WE 4420	BLOCK , packing, rear bottom latch, Starboard										1	L.64	—	LH22
	10-20 WE 4413	BLOCK , packing, rear hinge, Port										1	L.64	—	LH22
	10-20 WE 4414	BLOCK , packing, rear hinge, Starboard										1	L.64	—	LH22
13548	10-20 P 3235	BOLT , special, vent pipe bonding at main spar										1	—	C	LH22
		Attachments for 10-20 P 3235, Bolt :—													
28M/10288	AGS.2001/C/1	Nut, 2 BA	2	—	C	
26DL/5456	DHS.402/C	Seal, bonded	1	—	C	
28W/9419475	SP.15/C	Washer	1	—	C	
	10-20 WE 4567	BRACKET , angle, at front spar, 14 SWG										1	L.72	LM	LH22
		Attachments for 10-20 WE 4567, Bracket :—													
28D/1011238	A25/3E	Bolt, 1/2" BSF	2	—	C	
28M/12931	A27/ET	Nut, 1/2" BSF	2	—	C	
28W/9418921	SP.13/E	Washer	2	—	C	

**MAIN PLANES
WING EXTENSION**

Ref. No.	Part No.	Description										No. off	Material Specification	Class of Store or L.M.	Place No.	
		1	2	3	4	5	6	7	8	9	10					
	10-20 WE 4613A											BRACKET , angle, at front spar, Port, assembly	1	—	—	LH22
	10-20 WE 4614A											BRACKET , angle, at front spar, Starboard, assembly	1	—	—	LH22
	10-20 WE 4573ND											BRACKET , angle, 20 SWG	1	L.72	LM	LH22
	10-20 WE 4615ND											BRACKET , Port, 14 SWG	1	L.72	LM	LH22
	10-20 WE 4616ND											BRACKET , Starboard, 14 SWG	1	L.72	LM	LH22
28M/9434251	AGS.2008/B/1											NUT , anchor, 4 BA	1	—	C	
												Attachments for 10-20 WE 4613A or 10-20 WE 4614A, Bracket :—				
28D/1011256	A25/5G											Bolt, $\frac{1}{8}$ " BSF	3	—	C	
28M/1011470	A27/GT											Nut, $\frac{1}{8}$ " BSF	3	—	C	
28W/9419403	SP.13/G											Washer	3	—	C	
	10-20 N 2377A											BRACKET , angle, "P" clips on stiffeners Nos. 3, 5, 6 and 7	4	—	—	LH22
	10-20 N 2379ND											BRACKET , 18 SWG	1	L.72	LM	LH22
28M/9434251	AGS.2008/B/1											NUT , anchor, 4 BA	1	—	C	
												Attachments for 10-20 N 2377A, Bracket :—				
28D/1010658	A25/1B											Bolt, 4 BA:	2	—	C	
28M/10287	AGS.2001/B/1											Nut, 4 BA:	2	—	C	
	10-20 WE 4183											BRACKET , attachment, fairing at pick-up, fitting, Port, 18 SWG	1	L.72	LM	LH22
	10-20 WE 4184											BRACKET , attachment fairing at pick-up, fitting, Starboard, 18 SWG	1	L.72	LM	LH22
												Attachments for 10-20 WE 4183 or 10-20 WE 4184, Bracket :—				
2727	DHS.901/2E											Bolt, $\frac{1}{4}$ " BSF	1	—	C	
2227	DHS.983/E											Nut, $\frac{1}{4}$ " BSF	1	—	C	
26DL/5611	DHS.402/E											Seal, bonded	1	—	C	
28W/9419405	SP.15/E											Washer	1	—	C	
	10-20 WE 4185											BRACKET , attachment, fairing at rear bottom latch, Port, 18 SWG	1	L.72	LM	LH22
	10-20 WE 4186											BRACKET , attachment, fairing at rear bottom latch, Starboard, 18 SWG	1	L.72	LM	LH22
												Attachments for 10-20 WE 4185 or 10-20 WE 4186, Bracket :—				
2727	DHS.901/2E											Bolt, $\frac{1}{4}$ " BSF	1	—	C	
2227	DHS.983/E											Nut, $\frac{1}{4}$ " BSF	1	—	C	
26DL/5611	DHS.402/E											Seal, bonded	1	—	C	
28W/9419405	SP.15/E											Washer	1	—	C	
	10-20 WE 2309A											BRACKET , clamp, aft of rear hinge, Port, assembly, 18 SWG	1	L.72	LM	LH22
	10-20 WE 2310A											BRACKET , clamp, aft of rear hinge, Starboard, assembly, 18 SWG	1	L.72	LM	LH22
												Spares for :—				
28M/9435067	AGS.2008/C/1											NUT , anchor, 2 BA	1	—	C	

MAIN PLANES
WING EXTENSION

Ref. No.	Part No.	Description										No. off	Material Specification	Class of Store or L.M.	Place No.		
		1	2	3	4	5	6	7	8	9	10						
	10-20 S 13115												BRACKET, support, A.S.I. lines at front spar, Port, 20 SWG	1	L.72	LM	LH22
	10-20 S 13116												BRACKET, support, A.S.I. lines at front spar, Starboard, 20 SWG	1	L.72	LM	LH22
													Attachments for 10-20 S 13115 or 10-20 S 13116, Bracket :—				
28D/1200119	A25/4C												Bolt, 2 BA	2	—	C	
28M/10328	AGS.2002/C/1												Nut, 2 BA	2	—	C	
28W/9419475	SP.15/C												Washer	2	—	C	
	10-20 N 13311A												BRACKET, support, cable "P" clip at top latch, Port, assembly	1	—	—	LH22
	10-20 N 13312A												BRACKET, support, cable "P" clip at top latch, Starboard, assembly	1	—	—	LH22
	10-20 N 13313ND												BRACKET, Port, 18 SWG	1	L.72	LM	LH22
28M/9434252	AGS.2018/B/1												BRACKET, Starboard, 18 SWG	1	L.72	LM	LH22
													NUT, anchor, 4 BA	1	—	C	
													Attachments for 10-20 N 13311A or 10-20 N 13312A, Bracket :—				
28D/1010658	A25/1B												Bolt, 4 BA	2	—	C	
28M/10287	AGS.2001/B/1												Nut, 4 BA	2	—	C	
	5636	10-20 WE 4233A											BRACKET, wing-fold fairing at rear hinge post, Port, assembly	1	—	C	LH22
	5637	10-20 WE 4234A											BRACKET, wing-fold fairing at rear hinge post, Starboard, assembly	1	—	C	LH22
													Attachments for 10-20 WE 4233A or 10-20 WE 4234A, Bracket :—				
28D/9133013	A25/5C												Bolt, 2 BA	2	—	C	
28M/1006473	A27/CT												Nut, 2 BA	2	—	C	
		10-20 WE 4189A											BRACKET, wing-fold fairing forward, Port (For spares use 10-20 WE 6033A/ND)	1	—	—	LH22
	11186	10-20 WE 6033A/ND											BRACKET, wing-fold fairing forward, Port (Spares condition)	1	—	C	
		10-20 WE 4190A											BRACKET, wing-fold fairing forward, Starboard (For spares use 10-20 WE 6034A/ND)	1	—	—	LH22
	11187	10-20 WE 6034A/ND											BRACKET, wing-fold fairing forward, Starboard (Spares condition)	1	—	C	
													Attachments for 10-20 WE 4189A or 10-20 WE 4190A, Bracket :—				
28D/15711	A59/6E												Bolt, 1/2" BSF	2	—	C	
28M/12931	A27/ET												Nut, 1/2" BSF	2	—	C	
		10-20 WE 6651ND											Shim, laminated, "Attewell"	2	LA.3	LM	
28W/9419405	SP.15/E												Washer	2	—	C	
		10-20 WE 4651ND											EXTRUSION, sealing at front spar, Port (Make from standard section J.829)	1	DTD.364	LM	LH23
		10-20 WE 4652ND											EXTRUSION, sealing at front spar, Starboard (Make from standard section J.829)	1	DTD.364	LM	LH23
													Attachments for 10-20 WE 4651ND or 10-20 WE 4652ND, Extrusion :—				
	2732	DHS.901/3E											Bolt, 1/2" BSF	5	—	C	
	2227	DHS.983/E											Nut, 1/2" BSF	5	—	C	
26DL/5611	DHS.402/E												Seal, bonded	5	—	C	
	2359	DHS.388/E											Washer, sealing	5	—	C	

**MAIN PLANES
WING EXTENSION**

Ref. No.	Part No.	Description	No. off										Material Specification	Class of Store or L.M.	Plate No.	
			1	2	3	4	5	6	7	8	9	10				
	10-20 WE 6963A	FITTING , pick-up wing-fold gear, Port, assembly (Mod. 1109) (For spares use 10-20 WE 10021A/ND)	1													LH22
17037	10-20 WE 10021A/ND	FITTING , pick-up wind-fold gear, Port, assembly (Spares condition)	1												C	
	10-20 WE 6964A	FITTING , pick-up, wing-fold gear, Starboard, assembly (Mod. 1109) (For spares use 10-20 WE 10022A/ND)	1													LH22
17038	10-20 WE 10022A/ND	FITTING , pick-up, wing-fold gear, Starboard, assembly (Spares condition)	1												C	
16498	10-20 WE 6911	BUSH (Mod. 996) Attachments for 10-20 WE 6911, Bush :—	2												C	LH22
16499	10-20 WE 6915	Bolt, 2 BA (Mod. 996)	1												C	LH22
28M/9403520	A27/CP	Nut, 2 BA	1												C	
28W/9419475	SP.15/C	Washer	1												C	
		Attachments for 10-20 WE 6963A or 10-20 WE 6964A, Fitting :—														
2239	DHS.901/5E	Bolt, 1" BSF	3												C	
3813	DHS.901/4GG	Bolt, 5/8" BSF	25												C	
5942	DHS.395/5G	Bolt, 3/8" BSF	2												C	
2227	DHS.983/E	Nut, 1" BSF	3												C	
3190	DHS.983/G	Nut, 5/8" BSF	27												C	
26DL/5611	DHS.402/E	Seal, bonded	3												C	
	FIREPROOF TANKS															
18236	FT/C/11102/16	Seal, Hy-clad (Mod. 1224)	QR												C	
16207	10-20 WE 6851ND	Shim, Port, "Attewell"	1												C	LH22
16208	10-20 WE 6852ND	Shim, Starboard, "Attewell"	1												C	LH22
28W/9419405	SP.15/E	Washer	3												C	
28W/9419476	SP.15/G	Washer	27												C	
10882	10-20 WE 5249A	HINGE , front, Port, assembly	1												P	LH23
10883	10-20 WE 5250A	HINGE , front, Starboard, assembly	1												P	LH23
10881	10-20 WE 3721	BUSH , forward (See Repair section PA)	1												C	LH23
10880	10-20 WE 3719	BUSH , rear (See Repair section PA)	1												C	LH23
	10-20 WE 2927	HINGE , front, Port (For spares use 10-20 WE 6407ND)	1													LH23
12534	10-20 WE 6407ND	HINGE , front, Port (Spares condition)	1												P	
	10-20 WE 2928	HINGE , front, Starboard (For spares use 10-20 WE 6408ND)	1													LH23
12535	10-20 WE 6408ND	HINGE , front, Starboard (Spares condition)	1												P	
		Attachments for 10-20 WE 5249A or 10-20 WE 5250A, Hinge :—														
2210	DHS.481/12G	Bolt, 5/8" BSF	2												C	
3007	DHS.481/12½G	Bolt, 5/8" BSF	5												C	
3014	DHS.481/13½G	Bolt, 5/8" BSF	4												C	
5193	DHS.481/14½G	Bolt, 5/8" BSF	7												C	
5189	DHS.492/13½G	Bolt, 5/8" BSF	2												C	
3015	DHS.492/17G	Bolt, 5/8" BSF	1												C	
14359	DHS.492/19J	Bolt, 3/4" BSF	2												C	
28M/15730	AGS.2021/G/1	Nut, 5/8" BSF	18												C	
28M/13825	A25/GC	Nut, 5/8" BSF	3												C	
28M/13289	A27/JC	Nut, 3/4" BSF	2												C	
26P/1007741	SP.9/C8	Pin, split	5												C	

MAIN PLANES
WING EXTENSION

Ref. No.	Part No.	Description	No. off	Material Specification	Class of Store or L.M.	Plate No.			
							1	2	3
	FIREPROOF TANKS								
18236	FT/C/11102/16	Seal, Hy-clad Mod. (1224)	QR	—	C				
1454	DHS.781/15/18	Washer	2	—	C				
28W/9419455	SP.10/G	Washer	3	—	C				
2331	10-20 WC 5807	Washer, plate, 16 SWG	6	L.73	C	LH23			
	10-20 WC 17877	Washer, special	1	L.64	—	LH23			
		at hinge post :—							
2059	10-20 WC 15021	Bolt, 3/8" BSF, special	1	—	C	LH23			
28M/13122	A27/GS	Nut, 3/8" BSF	1	—	C				
28P/9429653	SP.9/G12	Pin, split	1	—	C				
16205	10-20 WC 29551ND	Shim, "Attewell"	2	LA.3	C	LH23			
10878	10-20 WE 5251A	HINGE , rear, Port, assembly	1	—	P	LH23			
10879	10-20 WE 5252A	HINGE , rear, Starboard, assembly	1	—	P	LH23			
10881	10-20 WE 3721	BUSH , forward (See Repair section PA)	1	S.97	C	LH23			
10880	10-20 WE 3719	BUSH , rear (See Repair section PA)	1	S.97	C	LH23			
	10-20 WE 2929	HINGE , rear, Port (For spares use 10-20 WE 6409ND)	1	S.97	—	LH23			
12536	10-20 WE 6409ND	HINGE , rear, Port (Spares condition)	1	S.97	P				
	10-20 WE 2930	HINGE , rear, Starboard (For spares use 10-20 WE 6410ND)	1	S.97	—	LH23			
12537	10-20 WE 6410ND	HINGE , rear, Starboard (Spares condition)	1	S.97	P				
		Attachments for 10-20 WE 5251A or 10-20 WE 5252A, Hinge :—							
3007	DHS.481/12 1/2 G	Bolt, 3/8" BSF	6	—	C				
3008	DHS.481/13 G	Bolt, 3/8" BSF	4	—	C				
3014	DHS.481/13 1/2 G	Bolt, 3/8" BSF	6	—	C				
3020	DHS.481/14 G	Bolt, 3/8" BSF	5	—	C				
3016	DHS.492/14 1/2 G	Bolt, 3/8" BSF	1	—	C				
4566	DHS.492/16 G	Bolt, 3/8" BSF	1	—	C				
2212 34009	DHS.492/16 1/2 G	Bolt, 3/8" BSF	1	—	C				
9824	10-20 WE 5639	Bolt, 3/8" BSF, special	2	S.98	C	LH23			
28M/15730	AGS.2021/G/1	Nut, 3/8" BSF	21	—	C				
28M/13825	A24/GC	Nut, 3/8" BSF	4	—	C				
28M/13785	A24/JC	Nut, 3/8" BSF	1	—	C				
28P/1007741	SP.9/C8	Pin, split	5	—	C				
	FIREPROOF TANKS								
18236	FT/C/11102/16	Seal, Hy-clad (Mod. 1224)	QR	—	C				
11279	DHS.781/16/18	Washer	2	—	C				
28W/9419455	SP.10/G	Washer	2	—	C				
3625	10-20 WC 5805	Washer, plate, 16 SWG	1	L.73	C	LH23			
	10-20 WC 17879	Washer, special	7	L.64	—	LH23			
		at hinge post :—							
2059	10-20 WC 15021	Bolt, 3/8" BSF, special	1	S.98	C	LH23			
28M/13122	A27/GS	Nut, 3/8" BSF	1	—	C				
28P/9429653	SP.9/G12	Pin, split	1	—	C				
16205	10-20 WC 29551ND	Shim, "Attewell"	2	LA.3	C	LH23			
	10-20 WE 6847	LATCH , bottom, centre, Port (Mod. 833) (For spares use 10-20 WE 6883ND)	1	S.97	—	LH23			
15850	10-20 WE 6883ND	LATCH , bottom centre, Port (Spares condition)	1	S.97	P				
	10-20 WE 6848	LATCH , bottom centre, Starboard (Mod. 833) (For spares use 10-20 WE 6884ND)	1	S.97	—	LH23			
15851	10-20 WE 6884ND	LATCH , bottom centre, Starboard (Spares condition)	1	S.97	P				

MAIN PLANES
WING EXTENSION

Ref. No.	Part No.	Description										No. off	Material Specification	Class of Score or L.M.	Place No.	
		1	2	3	4	5	6	7	8	9	10					
		Attachments for 10-20 WE 6847 or 10-20 WE 6848, Latch:—														
2209	DHS.481/10½G	Bolt,	½"									7	—	C		
2200	DHS.481/11½G	Bolt,	½"									3	—	C		
2210	DHS.481/12G	Bolt,	½"									4	—	C		
3007	DHS.481/12½G	Bolt,	½"									4	—	C		
2202	DHS.492/13G	Bolt,	½"									2	—	C		
3015	DHS.492/17G	Bolt,	½"									1	—	C		
5176	DHS.492/17J	Bolt,	½"									2	—	C		
28M/15730	AGS.2021/G/1	Nut,	½"									18	—	C		
28M/13825	A24/GC	Nut,	½"									3	—	C		
28M/13785	A24/JC	Nut,	½"									2	—	C		
28P/1007741	SP.9/C8	Pin, split										5	—	C		
	FIREPROOF TANKS															
18236	FT/C/11102/16	Seal, Hy-clad (Mod. 1224)										QR	—	C		
28W/9419455	SP.10/G	Washer										3	—	C		
1454	DHS.781/15/18	Washer										2	—	C		
2331	10-20 WC 5807	Washer, plate, 16 SWG										6	L.73	C	LH23	
	10-20 WE 4593	Washer, special										1	L.64	—	LH23	
	10-20 WE 6845	LATCH, bottom front, Port (Mod. 833) (For spares use 10-20 WE 6881ND)										1	S.97	—	LH23	
15848	10-20 WE 6881ND	LATCH, bottom front, Port (Spares condition)										1	S.97	P		
	10-20 WE 6846	LATCH, bottom front, Starboard (Mod. 833) (For spares use 10-20 WE 6882ND)										1	S.97	—	LH23	
15849	10-20 WE 6882ND	LATCH, bottom front, Starboard ... (Spares condition)										1	S.97	P		
		Attachments for 10-20 WE 6845 or 10-20 WE 6846, Latch:—														
2209	DHS.481/10½G	Bolt,	½"									6	—	C		
2200	DHS.481/11½G	Bolt,	½"									5	—	C		
3007	DHS.481/12½G	Bolt,	½"									4	—	C		
2202	DHS.492/13G	Bolt,	½"									2	—	C		
3012	DHS.492/15G	Bolt,	½"									1	—	C		
4566	DHS.492/16G	Bolt,	½"									1	—	C		
3015	DHS.492/17G	Bolt,	½"									2	—	C		
28M/13825	A24/GC	Nut,	½"									6	—	C		
28M/15730	AGS.2021/G/1	Nut,	½"									15	—	C		
28P/1007741	SP.9/C8	Pin, split										6	—	C		
	FIREPROOF TANKS															
18236	FT/C/11102/16	Seal, Hy-clad (Mod. 1224)										QR	—	C		
28W/9419455	SP.10/G	Washer										5	—	C		
2330	10-20 WC 5809	Washer, plate										5	—	C	LH23	
11697	10-20 WE 5503	Washer, special, Port										1	—	C	LH23	
11698	10-20 WE 5504	Washer, special, Starboard										1	—	C	LH23	
	10-20 WE 6849	LATCH, bottom rear, Port (Mod. 883) (For spares use 10-20 WE 6885ND)										1	S.97	—	LH23	
15852	10-20 WE 6885ND	LATCH, bottom rear, Port (Spares condition)										1	S.97	P		
	10-20 WE 6850	LATCH, bottom rear, Starboard (Mod. 833) (For spares use 10-20 WE 6886ND)										1	S.97	—	LH23	
15853	10-20 WE 6886ND	LATCH, bottom rear, Starboard ... (Spares condition)										1	S.97	P		

MAIN PLANES
WING EXTENSION

Ref. No.	Part No.	Description										No. off	Material Specification	Class of Store or L.M.	Place No.	
		1	2	3	4	5	6	7	8	9	10					
		Attachments for 10-20 WE 6849 or 10-20 WE 6850, Latch :-														
	2210	DHS.481/12G										Bolt, $\frac{3}{16}$ " BSF	21	—	C	
	4567	DHS.492/12G										Bolt, $\frac{3}{16}$ " BSF	1	—	C	
	4566	DHS.492/16G										Bolt, $\frac{3}{16}$ " BSF	1	—	C	
	9825	10-20 WE 5641										Bolt, $\frac{3}{16}$ " BSF, special (Pre Mod. 1017)	2	—	C	LH23
	16437	10-20 WE 6939										Bolt, $\frac{3}{16}$ " BSF, special (Mod. 1017)	2	—	C	LH23
	9826	10-20 WE 5643										Bolt, $\frac{3}{16}$ " BSF, special (Pre Mod. 1017)	1	—	C	LH23
	16436	10-20 WE 6927										Bolt, $\frac{3}{16}$ " BSF, special (Mod. 1017)	1	—	C	LH23
	28M/15730	AGS.2021/G/1										Nut, $\frac{3}{16}$ " BSF	21	—	C	
	28M/13825	A24/GC										Nut, $\frac{3}{16}$ " BSF	3	—	C	
	28M/13785	A24/JC										Nut, $\frac{3}{16}$ " BSF	1	—	C	
	16438	10-20 WE 6941										Nut, $\frac{3}{16}$ " BSF, special (Mod. 1017)	1	—	C	LH23
	3190	DHS.983/G										Nut, $\frac{3}{16}$ " BSF	1	—	C	
	28P/1007741	SP.9/C8										Pin, split	3	—	C	
		FIREPROOF TANKS														
	18236	FT/C/11102/16										Seal, Hy-clad (Mod. 1224)	QR	—	C	
	12279	DHS.781/16/18										Washer	2	—	C	
	16605	DHS.781/22/16										Washer	1	—	C	LH23
	28W/9419455	SP.10/G										Washer	2	—	C	
	28W/9419456	SP.10/J										Washer	1	—	C	
	3625	10-20 WC 5805										Washer, special	7	—	C	LH23
		10-20 WE 4593										Washer, special	1	—	C	LH23
		10-20 WE 5247A										LATCH, top, Port, assembly	1	—	—	LH23
		10-20 WE 5248A										LATCH, top, Starboard, assembly	1	—	—	LH23
	10877	10-20 WE 3723										BUSH, forward (Pre Mod. 754) (See Repair section PA)	1	—	C	LH23
	15057	10-20 WE 6711										BUSH, forward (Mod. 754) (See Repair section PA)	1	—	C	LH23
	2075	10-20 WC 16785										BUSH, rear (Pre Mod. 754) (See Repair section PA)	1	—	C	LH23
	15058	10-20 WE 6713										BUSH, rear (Mod. 754) (See Repair section PA)	1	—	C	LH23
		10-20 WE 2925										LATCH, top, Port (For spares use 10-20 WE 6405ND)	—	—	—	
	12532	10-20 WE 6405ND										LATCH, top, Port (Spares condition)	1	—	P	
		10-20 WE 2926										LATCH, top, Starboard (For spares use 10-20 WE 6406ND)	1	—	—	LH23
	12533	10-20 WE 6406ND										LATCH, top, Starboard (Spares condition)	1	—	P	
	9126	10-20 WC 25117										RING, half, bush retaining	1	—	C	LH23
	28S/9419438	A33/B10										Attachments for 10-20 WC 25117, Ring :- Screw, 4 BA	1	—	C	
												Attachments for 10-20 WE 5247A or 10-20 WE 5248A, Latch :-				
	2209	DHS.481/10 $\frac{1}{2}$ G										Bolt, $\frac{3}{16}$ " BSF	2	—	C	
	2210	DHS.481/12G										Bolt, $\frac{3}{16}$ " BSF	3	—	C	
	3007	DHS.481/12 $\frac{1}{2}$ G										Bolt, $\frac{3}{16}$ " BSF	5	—	C	
	3020	DHS.481/14G										Bolt, $\frac{3}{16}$ " BSF	5	—	C	
	5189	DHS.492/13 $\frac{1}{2}$ G										Bolt, $\frac{3}{16}$ " BSF	3	—	C	
	3016	DHS.492/14 $\frac{1}{2}$ G										Bolt, $\frac{3}{16}$ " BSF	2	—	C	
	3012	DHS.492/15G										Bolt, $\frac{3}{16}$ " BSF	1	—	C	
	28M/13825	A24/GC										Nut, $\frac{3}{16}$ " BSF	4	—	C	
	28M/1006939	A27/GP										Nut, $\frac{3}{16}$ " BSF	2	—	C	
	28M/15730	AGS.2021/G/1										Nut, $\frac{3}{16}$ " BSF	15	—	C	
	28P/1007741	SP.9/C8										Pin, split	4	—	C	

**MAIN PLANES
WING EXTENSION**

Ref. No.	Part No.	Description	No. off										Material Specification	Class of Store or L.M.	Plate No.
			1	2	3	4	5	6	7	8	9	10			
	FIREPROOF TANKS														
18236	FT/C/11102/16	Seal, Hy-clad (Mod. 1224)	QR											C	
28W/9419455	SP.10/G	Washer	4											C	
28W/9419476	SP.15/G	Washer	2											C	
2330	10-20 WC 5809	Washer, plate	5											C	LH23
	10-20 WE 5515	Washer, special	1											—	LH23
		at latch post :—													
	10-20 WE 6001	Bolt, 1/8" BSF, special	1											—	LH23
28M/13415	A27/PS	Nut, 1/8" BSF	1											C	
28P/9429653	SP.9/G12	Pin, split	1											C	
16206	10-20 WC 29553ND	Shim, laminated, "Attewell"	2											C	LH23
	10-20 WE 3299	PILLAR , front hinge, Port (For spares use 10-20 WE 6037ND)	1											—	LH23
11116	10-20 WE 6037ND	PILLAR , front hinge, Port (Spares condition)	1											C	
	10-20 WE 3300	PILLAR , front hinge, Starboard (For spares use 10-20 WE 6038ND)	1											—	LH23
11117	10-20 WE 6038ND	PILLAR , front hinge, Starboard (Spares condition)	1											C	
		Attachments for 10-20 WE 3299 or 10-20 WE 3300, Pillar :—													
3226	DHS.901/4G	Bolt, 1/8" BSF	22											C	
3190	DHS.983/G	Nut, 1/8" BSF	22											C	
2259	DHS.402/G	Seal, bonded	22											C	
28W/9419476	SP.15/G	Washer	22											C	
	10-20 WE 3301	PILLAR , front latch, Port (For spares use 10-20 WE 6005ND)	1											—	LH23
11332	10-20 WE 6005ND	PILLAR , front latch, Port (Spares condition)	1											C	
	10-20 WE 3302	PILLAR , front latch, Starboard (For spares use 10-20 WE 6006ND)	1											—	LH23
11333	10-20 WE 6006ND	PILLAR , front latch, Starboard (Spares condition)	1											C	
		Attachments for 10-20 WE 3301 or 10-20 WE 3302, Pillar :—													
2238	DHS.901/4E	Bolt, 1/8" BSF	12											C	
3226	DHS.901/4G	Bolt, 1/8" BSF	4											C	
26FW/1060	DHS.202/E	Nut, 1/8" BSF	12											C	
3190	DHS.983/G	Nut, 1/8" BSF	4											C	
26DL/5611	DHS.402/E	Seal, bonded	12											C	
2259	DHS.402/G	Seal, bonded	4											C	
28W/9419405	SP.15/E	Washer	12											C	
28W/9419476	SP.15/G	Washer	4											C	
	10-20 WE 3295	PILLAR , rear hinge, Port (Pre Mod. 1017) (For spares use 10-20 WE 6003ND)	1											—	LH23
11334	10-20 WE 6003ND	PILLAR , rear hinge, Port (Spares condition)	1											C	
	10-20 WE 6935	PILLAR , rear hinge, Port (Mod. 1017) (For spares use 10-20 WE 6955ND)	1											—	LH23
16537	10-20 WE 6955ND	PILLAR , rear hinge, Port (Spares condition)	1											C	
	10-20 WE 3296	PILLAR , rear hinge, Starboard (Pre Mod. 1017) (For spares use 10-20 WE 6004ND)	1											—	LH23
11335	10-20 WE 6004ND	PILLAR , rear hinge, Starboard (Spares condition)	1											C	
	10-20 WE 6936	PILLAR , rear hinge, Starboard (Mod. 1017) (For spares use 10-20 WE 6956ND)	1											—	LH23
16538	10-20 WE 6956ND	PILLAR , rear hinge, Starboard (Spares condition)	1											C	

MAIN PLANES
WING EXTENSION

Ref. No.	Part No.	Description	No. off	Material Specification	Class of Store or L.M.	Plate No.			
							1	2	3
		Attachments for 10-20 WE 3295, 10-20 WE 6935, 10-20 WE 3296 or 10-20 WE 6936. Pillar :—							
28D/1011256	A25/5G	Bolt, 3/16" BSF	17	—	C				
28D/7002427	A25/6G	Bolt, 3/16" BSF	2	—	C				
28M/1011470	A27/GT	Nut, 3/16" BSF	17	—	C				
2220	DHS.383/G	Nut, 3/16" BSF	2	—	C				
2259	DHS.402/G	Seal, bonded	19	—	C				
2358	DHS.388/G	Washer, sealing	2	—	C				
28W/9419488	SP.16/G	Washer	19	—	C				
	10-20 WE 3775A	PLATE, anchor nut, float switch in fuel tanks Nos. 3 and 4, assembly	2	—	—	LH23			
28M/10226	AGS.2009/C/3	NUT, 2 BA	7	—	C				
3808	DHS.869/E	NUT, 1/4" BSF	2	—	C				
	10-20 WE 3773ND	PLATE, 16 SWG	1	L.72	LM	LH23			
9794	10-20 S 11987A	PLATE, hose, assembly...	1	—	C	LH22			
		Attachments for 10-20 S 11987A, Plate :—							
1147	DHS.358/3E	Bolt, 3/8" BSF	3	—	C				
3778	DHS.386/E	Nut, cap, 3/8" BSF	3	—	C				
3779	DHS.396/E	Plate, washer, rubber bonded	3	—	C				
	10-20 WE 4427	PLATE, shim, rear hinge pillar	1	LB.2	—	LH23			
	10-20 WE 4429	PLATE, shim, under front hinge pillar	1	LB.2	—	LH23			
	10-20 WE 4431	PLATE, shim, under front latch pillar	1	LB.2	—	LH23			
	10-20 WE 4425	PLATE, shim, under wing-fold gear fitting	1	LB.2	—	LH23			
	10-20 WE 6225	RIB, No. 4A, Port (Mod. 259)	1	DHA.380	—	LH22			
	10-20 WE 6463	RIB, No. 4A, Starboard (Mod. 2)	1	DHA.380	—	LH22			
		Attachments for 10-20 WE 6225, or 10-20 WE 6463, Rib :—							
		at front spar :—							
28D/15711	A59/6E	Bolt, 3/8" BSF	2	—	C				
3219	DHS.901/3G	Bolt, 3/8" BSF	3	—	C				
3223	DHS.901/3 1/2 G	Bolt, 3/8" BSF	2	—	C				
28M/1011475	A27/EP	Nut, 1/2" BSF	2	—	C				
3190	DHS.983/G	Nut, 3/8" BSF	5	—	C				
28W/9419405	SP.15/E	Washer	2	—	C				
28W/9419476	SP.15/G	Washer	5	—	C				
		at main spar :—							
3777	DHS.901/4 1/2 E	Bolt, 1/2" BSF	2	—	C				
10884	DHS.201/4 1/2 G	Bolt, 3/8" BSF	9	—	C				
26FW/1060	DHS.202/E	Nut, 3/8" BSF	2	—	C				
26FN/3372	DHS.202/G	Nut, 3/8" BSF	9	—	C				
26DL/5611	DHS.402/E	Seal, bonded	2	—	C				
2259	DHS.402/G	Seal, bonded	9	—	C				
28W/9419405	SP.15/E	Washer	2	—	C				
28W/9419476	SP.15/G	Washer	9	—	C				
	10-20 WE 3463A	RIB, nose, Port, assembly (For spares use 10-20 WE 6201A/ND)	1	—	—	LH22			
11249	10-20 WE 6201A/ND	RIB, nose, Port, assembly (Spares condition)	1	—	C				
	10-20 WE 3464A	RIB, nose, Starboard, assembly (For spares use 10-20 WE 6202A/ND)	1	—	—	LH22			
11250	10-20 WE 6202A/ND	RIB, nose, Starboard, assembly (Spares condition)	1	—	C				
		Spares for :—							
	10-20 WE 5073A	SPIGOT, nose, Port, assembly (For spares use 10-20 WE 6039A/ND)	1	—	—	LH22			
11113	10-20 WE 6039A/ND	SPIGOT, nose, Port, assembly (Spares condition)	1	—	C				
	10-20 WE 5074A	SPIGOT, nose, Starboard, assembly (For spares use 10-20 WE 6040A/ND)	1	—	—	LH22			
11114	10-20 WE 6040A/ND	SPIGOT, nose, Starboard, assembly (Spares condition)	1	—	C				

MAIN PLANES
WING EXTENSION

Ref. No.	Part No.	Description	No. off	Material Specification	Class of Store or L.M.	Plate No.			
							1	2	3
	10-20 WE 5069	HOUSING , nose, spigot, Port ...	1	L.65	—	LH22			
	10-20 WE 5070	HOUSING , nose, spigot, Starboard ...	1	L.65	—	LH22			
	10-20 WE 5071	PLUG ...	1	S.80	—	LH22			
28D/16559	A59/15C	Attachments for 10-20 WE 5071, Plug :—							
28M/10288	AGS.2001/C/1	Bolt, 2 BA ...	1	—	C				
28W/9419402	SP.13/C	Nut, 2 BA ...	1	—	C				
		Washer ...	1	—	C				
		Attachments for 10-20 WE 5073A or 10-20 WE 5074A, Spigot :—							
2474	DHS.382/4E	Bolt, 1/2" BSF ...	3	—	C				
3191	DHS.382/4G	Bolt, 5/16" BSF ...	4	—	C				
3774	DHS.382/4 1/2 G	Bolt, 1/2" BSF ...	2	—	C				
		Attachments for 10-20 WE 3463A or 10-20 WE 3464A, Rib :—							
1663	DHS.201/3 1/2 E	Bolt, 1/2" BSF ...	5	—	C				
3776	DHS.363/3 1/2 EE	Bolt, 1/2" BSF ...	1	—	C				
2356	DHS.383/E	Nut, 1/2" BSF ...	5	—	C				
2227	DHS.983/E	Nut, 1/2" BSF ...	1	—	C				
28W/9419405	SP.15/E	Washer ...	6	—	C				
	10-20 WE 2079	STIFFENER , bottom, between rear hinge pillar and wing-fold pillar, bottom, Port (For Spares use 10-20 WE 5787ND)	1	L.65	—	LH23			
10709	10-20 WE 5787ND	STIFFENER , bottom, between rear hinge pillar and wing-fold pillar, bottom, Port (Spares condition)	1	—	C				
	10-20 WE 2080	STIFFENER , bottom, between rear hinge pillar and wing-fold pillar, bottom, Starboard, (For Spares use 10-20 WE 5788ND)	1	L.65	—	LH23			
10710	10-20 WE 5788ND	STIFFENER , bottom, between rear hinge pillar and wing-fold pillar, bottom, Starboard (Spares condition)	1	—	C				
		Attachments for 10-20 WE 2079 or 10-20 WE 2080, Stiffener :—							
2361	DHS.393/3 1/2 EE	Bolt, 1/2" BSF ...	7	—	C				
26DL/7817	DHS.201/4E	Bolt, 1/2" BSF ...	8	—	C				
28D/7002427	A25/6G	Bolt, 5/16" BSF ...	2	—	C				
2227	DHS.983/E	Nut, 1/2" BSF ...	15	—	C				
3190	DHS.983/G	Nut, 5/16" BSF ...	2	—	C				
26DL/5611	DHS.402/E	Seal, bonded ...	15	—	C				
2358	DHS.388/G	Washer, sealing ...	2	—	C				
28W/9419405	SP.15/E	Washer ...	8	—	C				
28W/9419476	SP.15/G	Washer ...	1	—	C				
28W/9419488	SP.16/G	Washer ...	1	—	C				
	10-20 WE 2077	STIFFENER , top, between rear hinge pillar and wing-fold pillar, top (For Spares use 10-20 WE 5785ND)	1	L.65	—	LH23			
10708	10-20 WE 5785ND	STIFFENER , top, between rear hinge pillar and wing-fold pillar, top (Spares condition)	1	—	C				
		Attachments for 10-20 WE 2077, Stiffener :—							
2361	DHS.393/3 1/2 EE	Bolt, 1/2" BSF ...	12	—	C				
26DL/7817	DHS.201/4E	Bolt, 1/2" BSF ...	3	—	C				
28D/7002427	A25/6G	Bolt, 5/16" BSF ...	2	—	C				
2227	DHS.983/E	Nut, 1/2" BSF ...	15	—	C				
3190	DHS.983/G	Nut, 5/16" BSF ...	2	—	C				

MAIN PLANES
WING EXTENSION

Ref. No.	Part No.	Description										No. off	Material Specification	Class of Store or L.M.	Plate No.
		1	2	3	4	5	6	7	8	9	10				
26DL/5611	DHS.402/E											15	—	C	
2259	DHS.402/G											2	—	C	
2358	DHS.388/G											2	—	C	
28W/9419405	SP.15/E											3	—	C	
28W/9419476	SP.15/G											1	—	C	
28W/9419488	SP.16/G											1	—	C	
	—											—	—	—	
	10-20 WE 5265A											1	—	—	LH24
17711	10-20 WE 10355A/ND											1	—	P	
	10-20 WE 5266A											1	—	—	LH24
17712	10-20 WE 10356A/ND											1	—	P	
	10-20 WE 3589											1	L.73	LM	LH24
	10-20 WE 3590											1	L.73	LM	LH24
	10-20 WE 2657											1	L.73	LM	LH24
	10-20 WE 2658											1	L.73	LM	LH24
	10-20 WE 2269											1	L.73	LM	LH24
	10-20 WE 2270											1	L.73	LM	LH24
	10-20 WE 10039A											1	—	—	LH24
17416	10-20 WE 10185A/ND											1	—	P	
	10-20 WE 10040A											1	—	—	LH24
17417	10-20 WE 10186A/ND											1	—	P	
4920	DHS.419/2/C/50											2	—	C	
2339	DHS.358/SC											2	—	C	
28D/12536	A25/13C											1	—	C	
28D/8316	AS.1242/13C											1	—	C	
28M/9403520	A27/CP											2	—	C	
	10-20 WE 5357											1	L.72	—	LH24
	10-20 WE 5358											1	L.72	—	LH24
	10-20 WE 5505											1	—	—	LH24
14061	10-20 WE 5799ND											1	—	C	

MAIN PLANES
WING EXTENSION

Ref. No.	Part No.	Description	No. off	Material Specification	Class of Store or L.M.	Place No.			
							1	2	3
	10-20 WE 5506	CHANNEL, support, inboard, Starboard (For Spares use 10-20 WE 5800ND)	1	—	—	LH24			
14062	10-20 WE 5800ND	CHANNEL, support, inboard, Starboard (Spares condition)	1	—	C				
4652	10-20 WE 2259	COVER, access, outboard, Port ...	1	L.73	C	LH24			
4653	10-20 WE 2260	COVER, access, outboard, Starboard ... Attachments for 10-20 WE 2259 or 10-20 WE 2260, Cover :—	1	L.73	C	LH24			
28D/9436920	A25/1C	Bolt, 2 BA ...	4	—	C				
28D/9133011	A25/2C	Bolt, 2 BA ...	5	—	C				
28D/9133012	A25/3C	Bolt, 2 BA ...	3	—	C				
	10-20 WE 2263A	FAIRING, Port, assembly (For Spares use 10-20 WE 5789A/ND)	1	—	—	LH24			
10702	10-20 WE 5789A/ND	FAIRING, Port, assembly (Spares condition)	1	—	P				
	10-20 WE 2264A	FAIRING, Starboard, assembly (For Spares use 10-20 WE 5790A/ND)	1	—	—	LH24			
10703	10-20 WE 5790A/ND	FAIRING, Starboard, assembly (Spares condition)	1	—	P				
	10-20 WE 3423ND	ANGLE, reinforcing, Port, 22 SWG ...	1	L.72	LM	LH24			
	10-20 WE 3424ND	ANGLE, reinforcing, Starboard, 22 SWG ...	1	L.72	LM	LH24			
	10-20 WE 3419ND	PLATE, bottom, Port, 18 SWG ...	1	L.72	LM	LH24			
	10-20 WE 3420ND	PLATE, bottom, Starboard, 18 SWG ...	1	L.72	LM	LH24			
	10-20 WE 3421ND	PLATE, side, Port, 22 SWG ...	1	L.72	LM	LH24			
	10-20 WE 3422ND	PLATE, side, Starboard, 22 SWG ...	1	L.72	LM	LH24			
4655	10-20 WE 2275	FAIRLEAD, for chain guard tube, Port ...	1	LFB.82	C	LH24			
4656	10-20 WE 2276	FAIRLEAD, for chain guard tube, Starboard Attachments for 10-20 WE 2275 or 10-20 WE 2276, Fairlead :—	1	LFB.82	C	LH24			
28D/14994	AS.4563/12C	Bolt, 1 BA ...	2	—	C				
3238	DHS.83/C	Nut, 2 BA ...	1	—	C				
4657	10-20 WE 2617	Nut, 2 BA, special ...	1	S.96	C	LH24			
4654	10-20 WE 2273	GUARD, chain, $\frac{1}{2}$ " $\frac{1}{4}$ " \times $\frac{3}{16}$ " o/d ...	1	LTF.40	C	LH24			
	10-20 WE 2239	MEMBER, edge, outboard, Port, 20 SWG ...	1	L.73	LM	LH24			
	10-20 WE 2240	MEMBER, edge outboard, Starboard, 20 SWG ...	1	L.73	LM	LH24			
4921	DHS.877/C/18	PACKING, under anchor nuts forward of access cover	2	—	C				
	10-20 WE 2655	PANEL, skin, bottom forward, Port, 18 SWG	1	L.73	LM	LH24			
	10-20 WE 2656	PANEL, skin, bottom forward, Starboard 18 SWG	1	L.73	LM	LH24			
	10-20 WE 2229	RIB, 4A, trailing edge, inboard, Port, 22 SWG	1	L.73	—	LH24			
	10-20 WE 2230	RIB, 4A, trailing edge inboard, Starboard, 22 SWG	1	L.73	—	LH24			
	10-20 WE 2231A	RIB, 4A, trailing edge, outboard, Port, assembly	1	—	—	LH24			
	10-20 WE 2232A	RIB, 4A, trailing edge, outboard, Starboard, assembly	1	—	—	LH24			
	10-20 WE 2235ND	ANGLE, reinforcing, Port, 20 SWG ...	1	L.73	LM	LH24			
	10-20 WE 2236ND	ANGLE, reinforcing, Starboard, 20 SWG ...	1	L.73	LM	LH24			
	10-20 WE 2233ND	WEB, Port, 22 SWG ...	1	L.73	—	LH24			
	10-20 WE 2234ND	WEB, Starboard, 22 SWG ...	1	L.73	—	LH24			
	10-20 WE 2237	TRACK, flap, Port (Made from standard section J.809) (For Spares use 10-20 WE 6303ND)	1	—	—	LH24			
12106	10-20 WE 6303ND	TRACK, flap, Port (Spares condition) ...	1	—	C				
	10-20 WE 2238	TRACK, flap, Starboard (Made from standard section J.809) (For Spares use 10-20 WE 6304ND)	1	—	—	LH24			
12107	10-20 WE 6304ND	TRACK, flap, Starboard (Spares condition) ...	1	—	C				

MAIN PLANES
WING EXTENSION

Ref. No.	Part No.	Description	No. off	Material Specification	Class of Store or L.M.	Plate No.			
							1	2	3
	10-20 WC 5835	WASHER, packing under anchor nuts of access cover, 10 SWG	3	L.72	LM	LH24			
	—	RIB, No. 5, front spar to main spar, group (Drg. No. 10-20 WE 5245)	1	—	—	LH25			
	10-20 WE 5253A/ND	RIB, No. 5, front spar to main spar, Port, assembly (For spares use 10-20 WE 6693A/ND)	1	—	—	LH25			
14710	10-20 WE 6693A/ND	RIB, No. 5, front spar to main spar, Port, assembly (Spares condition)	1	—	P				
	10-20 WE 5254A/ND	RIB, No. 5, front spar to main spar, Starboard, assembly (For spares use 10-20 WE 6694A/ND)	1	—	—	LH25			
14711	10-20 WE 6694A/ND	RIB, No. 5, front spar to main spar, Starboard, assembly (Spares condition)	1	—	P				
	10-20 WE 5235	ANGLE, bottom boom forward attachment, Port	1	L.65	—	LH25			
	10-20 WE 5236	ANGLE, bottom boom forward attachment, Starboard	1	L.65	—	LH25			
		Attachments for 10-20 WE 5235, or 10-20 WE 5236, Angle :—							
28D/1202771	A25/4G	Bolt, 1/2" BSF	1	—	C				
28D/1011256	A25/5G	Bolt, 3/8" BSF	1	—	C				
28M/1011470	A27/GT	Nut, 1/2" BSF	2	—	C				
28W/9419488	SP.16/G	Washer	2	—	C				
	10-20 WE 5243	BOOM, bottom, Port	1	DHA.65	—	LH25			
	10-20 WE 5244	BOOM, bottom, Starboard	1	DHA.65	—	LH25			
	10-20 WE 5241	BOOM, top, Port	1	DHA.68	—	LH25			
	10-20 WE 5242	BOOM, top, Starboard	1	DHA.68	—	LH25			
	10-20 WE 3897	BRACKET, bottom boom aft, Port	1	DTD.304	—	LH25			
	10-20 WE 3898	BRACKET, bottom boom aft, Starboard	1	DTD.304	—	LH25			
		Attachments for 10-20 WE 3897 or 10-20 WE 3898, Bracket :—							
15528	DHS.1001/4E	Bolt, 1/2" BSF	1	—	C				
2237	DHS.901/4G	Bolt, 3/8" BSF	1	—	C				
28D/17116	A59/12J	Bolt, 3/8" BSF	1	—	C				
28M/1011473	A27/JP	Nut, 1/2" BSF	1	—	C				
2227	DHS.983/E	Nut, 1/2" BSF	1	—	C				
3190	DHS.983/G	Nut, 1/2" BSF	1	—	C				
28F/9428452	AGS.1186/A	Seal, bonded	1	—	C				
28W/9419466	SP.13/J	Washer	1	—	C				
	10-20 WE 3891	BRACKET, support, bottom centre diffusion member, Port	1	DTD.304	—	LH25			
	10-20 WE 3892	BRACKET, support, bottom centre diffusion member, Starboard	1	DTD.304	—	LH25			
		Attachments for 10-20 WE 3891 or 10-20 WE 3892, Bracket :—							
15532	DHS.1001/4EE	Bolt, 1/2" BSF	2	—	C				

MAIN PLANES
WING EXTENSION

Ref. No.	Part No.	Description										No. off	Material Specification	Class of Store or L.M.	Plate No.	
		1	2	3	4	5	6	7	8	9	10					
	10-20 WE 3883												1	DTD.298	—	LH25
	10-20 WE 3884												1	DTD.298	—	LH25
3199	DHS.382/5½E												4	—	C	
28D/1011242	A25/7E												2	—	C	
3795	DHS.395/9½G												4	—	C	
28M/12931	A27/ET												2	—	C	
2227	DHS.983/E												4	—	C	
28M/1006939	A27/GP												4	—	C	
28W/9419476	SP.15/G												4	—	C	
	10-20 WE 3881												1	DTD.298	—	LH25
	10-20 WE 3882												1	DTD.298	—	LH25
3199	DHS.382/5½E												2	—	C	
28D/1011242	A25/7E												2	—	C	
3794	DHS.395/8G												2	—	C	
28M/12931	A27/ET												2	—	C	
2227	DHS.983/E												2	—	C	
28M/1006939	A27/GP												2	—	C	
28W/9419488	SP16/G												2	—	C	
	10-20 WE 3741												1	DTD.298	—	LH25
	10-20 WE 3742												1	DTD.298	—	LH25
28D/16072	A61/3E												1	—	C	
28D/9434866	A61/4E												2	—	C	
28M/13376	A29/EP												3	—	C	
28W/9419405	SP.15/E												3	—	C	
	10-20 WE 5239												2	DTD.5050	—	LH25
28D/1213554	A60/9G												1	—	C	
28D/1213572	A60/10J												1	—	C	
28M/14877	A58/GT												1	—	C	
28M/14440	A58/JT												1	—	C	
28W/9419488	SP.16/G												1	—	C	
28W/9419477	SP.15/J												1	—	C	

**MAIN PLANES
WING EXTENSION**

Ref. No.	Part No.	Description										No. off	Material Specification	Class of Score or L.M.	Place No.		
		1	2	3	4	5	6	7	8	9	10						
	10-20 WE 6489	STRUT, at front spar, Port										1	DTD.683	—	LH25		
	10-20 WE 6490	STRUT, front spar, Starboard										1	DTD.683	—	LH25		
		Attachments for 10-20 WE 6489 or 10-20 WE 6490, Strut :-															
	28D/12775	A25/17G											Bolt, 1/2" BSF	1	—	C	
	28D/16644	A60/10N											Bolt, 1/2" BSF	1	—	C	
	28M/1006939	A27/GP											Nut, 1/2" BSF	1	—	C	
	28M/1202769	A58/NT											Nut, 1/2" BSF	1	—	C	
	28W/9419488	SP.16/G											Washer	1	—	C	
	28W/9419479	SP.15/N											Washer	1	—	C	
		10-20 WE 3729A	STRUT, No. 1, assembly										1	—	—	LH25	
			Spares for :-														
		10-20 WE 3889	FORK-END										1	L.65	—	LH25	
		10-20 WE 3935ND	FORK-END and tube										1	L.65	—	LH25	
			Attachments for 10-20 WE 3729A, Strut :-														
	12306	DHS.201/8 1/2 L											Bolt, 3/8" BSF	1	—	C	
	12308	DHS.201/10L											Bolt, 3/8" BSF	1	—	C	
	13621	DHS.202/L											Nut, 1/2" BSF	2	—	C	
	28W/9419490	SP.16/L											Washer	2	—	C	
		10-20 WE 3731A	STRUT, No. 2, assembly (For spares use 10-20 WE 5973A/ND)										1	—	—	LH25	
	10748	10-20 WE 5973A/ND	STRUT, No. 2 assembly, (Spares condition)										1	—	P		
		10-20 WE 3733A	STRUT, No. 3, assembly (For spares use 10-20 WE 5975A/ND)										1	—	—	LH25	
	10728	10-20 WE 5975A/ND	STRUT, No. 3, assembly (Spares condition)										1	—	P		
			Attachments for 10-20 WE 3731A or 10-20 WE 3733A, Strut :-														
		DHS.901/8 1/2 LL											Bolt, 1/2" BSF	2	—	—	
	28M/13452	A29/LS											Nut, 1/2" BSF	2	—	C	
	28P/9713016	AGS.1551 Mk. 3											Pin, safety	2	—	C	
	28W/9419490	SP.16/L											Washer	2	—	C	
		10-20 WE 3735A	STRUT, No. 4, assembly (For spares use 10-20 WE 5845A/ND)										1	—	—	LH25	
	10732	10-20 WE 5845A/ND	STRUT, No. 4, assembly (Spares condition)										1	—	P		
			Attachments for 10-20 WE 3735A, Strut :-														
	10337	DHS.201/8 1/2 LL											Bolt, 3/8" BSF	1	—	C	
	12179	DHS.201/13 1/2 NN											Bolt, 1/2" BSF	1	—	C	
	28M/13452	A29/LS											Nut, 1/2" BSF	1	—	C	
	28M/13453	A29/NS											Nut, 1/2" BSF	1	—	C	
	28P/9713016	AGS.1551 Mk. 3											Pin, safety	2	—	C	
	28W/9419490	SP.16/L											Washer	1	—	C	
	28W/9419491	SP.16/N											Washer	1	—	C	
		10-20 WE 3737A	STRUT, No. 5, assembly (For spares use 10-20 WE 5841A/ND)										1	—	—	LH25	
		10-20 WE 5841A/ND	STRUT, No. 5, assembly (Spares condition)										1	—	—		
		10-20 WE 3739A	STRUT, No. 6, assembly (For spares use 10-20 WE 5837A/ND)										1	—	—	LH25	
		10-20 WE 5837A/ND	STRUT, No. 6, assembly (Spares condition)										1	—	—		

MAIN PLANES
WING EXTENSION

Ref. No.	Part No.	Description										No. off	Material Specification	Class of Store or L.M.	Plate No.	
		1	2	3	4	5	6	7	8	9	10					
		Attachments for 10-20 WE 3737A or 10-20 WE 3739A, Strut :-														
5212	DHS.901/8½L												1	—	C	
12309	DHS.201/13½N												1	—	C	
13621	DHS.202/L												1	—	C	
	DHS.983/N												1	—	C	
28W/9419490	SP.16/L												1	—	C	
28W/9419491	SP.16/N												1	—	C	
		Attachments for 10-20 WE 5253A/ND or 10-20 WE 5254A/ND, Rib :-														
3796	DHS.395/4E												6	—	C	
3780	DHS.395/4½E												3	—	C	
3806	DHS.395/5E												2	—	C	
28D/16561	A59/9E												2	—	C	
28M/12928	A27/EP												13	—	C	
28W/9418921	SP.13/E												4	—	C	
28W/9419405	SP.15/E												9	—	C	
	—												1	—	—	
	10-20 WE 4411A/ND												1	—	—	LH26
11949	10-20 WE 6229A/ND												1	—	P	
	10-20 WE 4412A/ND												1	—	—	LH26
11950	10-20 WE 6230A/ND												1	—	P	
	10-20 WE 3833												1	DTD.520	—	LH26
	10-20 WE 3834												1	DTD.520	—	LH26
	10-20 WE 4393												1	DTD.520	—	LH26
	10-20 WE 4394												1	DTD.520	—	LH26
	10-20 WE 3893												1	DTD.298	—	LH26
	10-20 WE 3894												1	DTD.298	—	LH26
		Attachments for 10-20 WE 3893 or 10-20 WE 3894, Bracket :-														
3199	DHS.382/5½E												4	—	C	LH26
3800	DHS.395/7½G												4	—	C	LH26
2227	DHS.983/E												4	—	C	LH26
28M/1006939	A27/GP												4	—	C	
28W/9419776	SP.15/G												4	—	C	

MAIN PLANES
WING EXTENSION

Ref. No.	Part No.	Description										No. off	Material Specification	Class of Score or L.M.	Plate No.	
		1	2	3	4	5	6	7	8	9	10					
	10-20 WE 3835												1	DTD.298	—	LH26
	10-20 WE 3836												1	DTD.298	—	LH26
28D/16072	A61/3E												3	—	C	
3796	DHS.395/4E												3	—	C	LH26
28M/12928	A27/EP												3	—	C	
28M/13376	A29/EP												3	—	C	
28W/9419405	SP.15/E												6	—	C	
	10-20 WE 3837												1	DTD.298	—	LH26
	10-20 WE 3838												1	DTD.298	—	LH26
28D/1010031	A25/8E												2	—	C	
3199	DHS.382/5½E												4	—	C	LH26
3799	DHS.395/7G												4	—	C	LH26
28M/12931	A27/ET												2	—	C	
2227	DHS.983/E												4	—	C	LH26
28M/1006939	A27/GP												4	—	C	
28W/9419476	SP.15/G												4	—	C	
	10-20 WE 3873												1	DTD.298	—	LH26
	10-20 WE 3874												1	DTD.298	—	LH26
28D/16072	A61/3E												1	—	C	
1657	DHS.365/3E												1	—	C	
3780	DHS.395/4½E												1	—	C	LH26
28M/12928	A27/EP												1	—	C	
28M/13376	A29/EP												2	—	C	
28W/9419405	SP.15/E												1	—	C	
28W/9419487	SP.16/E												2	—	C	
	10-20 WE 3573												1	DTD.298	—	LH26
	10-20 WE 3574												1	DTD.298	—	LH26
28D/16072	A61/3E												2	—	C	
1657	DHS.365/3E												1	—	C	LH26
3780	DHS.395/4½E												2	—	C	LH26
28M/12928	A27/EP												2	—	C	
28M/13376	A29/EP												3	—	C	
28W/9419405	SP.15/E												5	—	C	

MAIN PLANES
WING EXTENSION

Ref. No.	Part No.	Description										No. off	Material Specification	Class of Store or L.M.	Place No.	
		1	2	3	4	5	6	7	8	9	10					
	10-20 WE 3895												1	DTD.304	—	LH26
	10-20 WE 3896												1	DTD.304	—	LH26
	10-20 WE 3839A												1	—	—	LH26
	10-20 WE 5833A/ND												1	—	—	
	10-20 WE 3841A												1	—	—	LH26
	10-20 WE 5829A/ND												1	—	—	
12307	DHS.201/9L												1	—	C	LH26
12309	DHS.201/13 $\frac{1}{2}$ N												1	—	C	LH26
3790	DHS.383/L												1	—	C	LH26
3793	DHS.383/N												1	—	C	LH26
28W/9419490	SP.16/L												1	—	C	
28W/9419491	SP.16/N												1	—	C	
	10-20 WE 3843A												1	—	—	LH26
10721	10-20 WE 5825A/ND												1	—	P	
	10-20 WE 3851A												1	—	—	LH26
12178	DHS.201/9LL												1	—	C	
12179	DHS.201/13 $\frac{1}{2}$ NN												1	—	C	
28M/13452	A29/LS												1	—	C	
28M/13453	A29/NS												1	—	C	
28P/9713016	AGS.1551/Mk. 3												2	—	C	
28W/9419490	SP.16/L												1	—	C	
28W/9419491	SP.16/N												1	—	C	
	10-20 WE 4041A												1	—	—	LH26
11256	10-20 WE 6211A/ND												1	—	P	
12178	DHS.201/9LL												2	—	C	
28M/13452	A29/LS												2	—	C	
28P/9713016	AGS.1551/Mk. 3												2	—	C	
28W/9419490	SP.16/L												2	—	C	
	10-20 WE 3845A												1	—	—	LH26
	10-20 WE 3849A												1	—	—	LH26
	10-20 WE 3847A												1	—	—	LH26
12307	DHS.201/9L												2	—	C	
3790	DHS.383/L												2	—	C	
28W/9419490	SP.16/L												2	—	C	

MAIN PLANES
WING EXTENSION

Ref. No.	Part No.	Description										No. off	Material Specification	Class of Store or L.M.	Plate No.
		1	2	3	4	5	6	7	8	9	10				
		Attachments for 10-20 WE 4411A/ND or 10-20 WE 4412A/ND, Rib :—													
15166	DHS.1001/2E OR											4	—	C	
2727	DHS.901/2E											2	—	C	
4357	DHS.395/3E											12	—	C	
3796	DHS.395/4E											6	—	C	
3780	DHS.395/4½E											1	—	C	
28D/1011255	A25/3G											4	—	C	
2227	DHS.983/E											20	—	C	
28M/1011475	A27/EP											1	—	C	
28M/1011470	A27/GT											20	—	C	
28W/9419405	SP.15/E											1	—	C	
28W/9419488	SP.16/G											20	—	C	
	—											1	—	—	LH27
	10-20 WE 3631											1	L.59	LM	LH27
	10-20 WE 2875A											1	—	—	LH27
	10-20 WE 2876A											1	—	—	LH27
	10-20 WE 2887A											2	L.72	LM	LH27
3665	10-20 WE 3123A											1	—	P	LH27
3666	10-20 WE 3124A											1	—	P	LH27
	10-20 WE 3127ND											1	L.73	LM	LH27
	10-20 WE 3128ND											1	L.73	LM	LH27
		Attachments for 10-20 WE 3123A or 10-20 WE3124A, Cover :—													
11483	DHS.201/1½EE											4	—	C	
4351	DHS.901/2EE											10	—	C	
1661	DHS.201/2½EE											10	—	C	
9799	DHS.901/3EE											3	—	C	
3801	DHS.777/E/1											27	—	C	
	10-20 WE 3129A/ND											1	—	—	LH27
12108	10-20 WE 6301A/ND											1	—	P	
	10-20 WE 3130A/ND											1	—	—	LH27
12109	10-20 WE 6302A/ND											1	—	P	

MAIN PLANES
WING EXTENSION

Ref. No.	Part No.	Description	No. of	Material Specification	Class of Score or L.M.	Plate No.			
							1	2	3
	10-20 WE 1637ND	BOOM , bottom, Port (Make from standard section J.2179)	1	L.64	—	LH27			
	10-20 WE 1638ND	BOOM , bottom, Starboard (Make from standard section J.2179)	1	L.64	—	LH27			
	10-20 WE 1635ND	BOOM , top, Port (Make from standard section J.2179)	1	L.64	—	LH27			
	10-20 WE 1636ND	BOOM , top, Starboard (Make from standard section J.2179)	1	L.64	—	LH27			
	10-20 WE 3131	BRACKET , attachment, top boom at front spar, Port	1	L.64	—	LH27			
	10-20 WE 3132	BRACKET , attachment, top boom at front spar, Starboard	1	L.64	—	LH27			
		Attachments for 10-20 WE 3131 or 10-20 WE 3132, Bracket :—							
28D/9133011	A25/2C	Bolt, 2 BA	2	—	C				
28M/1006473	A27/CT	Nut, 2 BA	2	—	C				
3778	DHS.386/E	NUT , anchor, 1/4" BSF, for access panel	28	—	C				
	10-20 WE 1653	PACKING , taper, at stringer No. 3, top boom	2	LFS.	LM	LH27			
		Attachments for 10-20 WE 1653, Packing:—							
28D/1215328	AS.1246/2E	Bolt, 1/4" BSF	2	—	C				
8384	DHS.984/E	Nut, 1/4" BSF	2	—	C				
	10-20 WE 1651ND	Plate, packing, 18 SWG	1	L.72	LM	LH27			
	10-20 WE 3807ND	PLATE , reinforcing, at front spar, Port, 18 SWG	1	L.73	—	LH27			
	10-20 WE 3808ND	PLATE , reinforcing, at front spar, Starboard, 18 SWG	1	L.73	—	LH27			
	10-20 WE 1643ND	STIFFENER , No. 1, Port (Make from standard section J.773)	1	L.72	—	LH27			
	10-20 WE 1644ND	STIFFENER , No. 1, Starboard (Make from standard section J.773)	1	L.73	—	LH27			
		Attachments for 10-20 WE 1643ND or 10-20 WE 1644ND, Stiffener :—							
10971	DHS.201/1 1/2 E	Bolt, 1/2" BSF	1	—	C				
1123	DHS.201/2E	Bolt, 1/2" BSF	2	—	C				
26DV/7310	DHS.202/E	Nut, 1/2" BSF	3	—	C				
28VV/9419405	SP.15/E	Washer	3	—	C				
	10-20 WE 1645ND	STIFFENER , No. 2 (Make from standard section J.773)	1	L.73	—	LH27			
		Attachments for 10-20 WE 1645ND Stiffener :—							
10971	DHS.201/1 1/2 E	Bolt, 1/2" BSF	1	—	C				
1123	DHS.201/2E	Bolt, 1/2" BSF	1	—	C				
26DV/7310	DHS.202/E	Nut, 1/2" BSF	2	—	C				
28VV/9419405	SP.15/E	Washer	2	—	C				
	10-20 WE 1647	STIFFENER , No. 3, 18 SWG	1	L.73	—	LH27			
		Attachments for 10-20 WE 1647, Stiffener :—							
10971	DHS.201/1 1/2 E	Bolt, 1/2" BSF	1	—	C				
26DV/7310	DHS.202/E	Nut, 1/2" BSF	1	—	C				
28VV/9419405	SP.15/E	Washer	1	—	C				

MAIN PLANES
WING EXTENSION

Ref. No.	Part No.	Description	No. off	Material Specification	Class of Store or L.M.	Plate No.			
							1	2	3
	10-20 WE 1649ND	STIFFENER , No. 4, Port (Make from standard section J.773)	1	L.73	—	LH27			
	10-20 WE 1650ND	STIFFENER , No. 4, Starboard (Make from standard section J.773)	1	L.73	—	LH27			
		Attachments for 10-20 WE 1649ND or 10-20 WE 1650ND, Stiffener :—							
2728	DHS.901/1½E	Bolt, ½" BSF	1	—	C				
2727	DHS.901/2E	Bolt, ½" BSF	2	—	C				
26FW/1060	DHS.202/E	Nut, ½" BSF	1	—	C				
2227	DHS.983/E	Nut, ½" BSF	2	—	C				
28W/9419405	SP.15/E	Washer	3	—	C				
	10-20 WE 1639ND	WEB , Port, 20 SWG	1	DTD.746	—	LH27			
	10-20 WE 1640ND	WEB , Starboard, 20 SWG	1	DTD.746	—	LH27			
		Attachments for 10-20 WE 3129A/ND or 10-20 WE 3130A/ND, Rib :—							
15526	DHS.1001/2½E	Bolt, ½" BSF	7	—	C				
	OR								
1664	DHS.201/2½E	Bolt, ½" BSF	2	—	C				
15527	DHS.1001/3½E	Bolt, ½" BSF	2	—	C				
	OR								
1663	DHS.201/3½E	Bolt, ½" BSF	9	—	C				
4913	DHS.395/3½EE	Bolt, ½" BSF	1	—	C				
4909	DHS.395/4½EE	Bolt, ½" BSF	17	—	C				
5969	DHS.395/3½GG	Bolt, ½" BSF	2	—	C				
11482	DHS.395/4½GG	Nut, ½" BSF	9	—	C				
2227	DHS.983/E	Nut, ½" BSF	10	—	C				
28M/12931	A27/ET	Nut, ½" BSF	19	—	C				
28M/1011470	A27/GT	Nut, ½" BSF	19	—	C				
28W/9419405	SP.15/E	Washer	19	—	C				
28W/9419476	SP.15/G	Washer	9	—	C				
26DL/5611	DHS.402/E	Washer, sealing	9	—	C				
	10-20 WE 2877A/1	RIB , No. 6, main spar to rear spar, Port, assembly (For Spares use 10-20 WE 10345A/ND)	1	—	—	LH28			
17585	10-20 WE 10345A/ND	RIB , No. 6, main spar to rear spar, Port, assembly (Mod. 1116) (Spares condition)	1	—	P				
	10-20 WE 2878A/1	RIB , No. 6, main spar to rear spar, Starboard, assembly (For Spares use 10-20 WE 10346A/ND)	1	—	—	LH28			
17586	10-20 WE 10346A/ND	RIB , No. 6, main spar to rear spar, Starboard, assembly (Mod. 1116) (Spares condition)	1	—	P				
		Spares for :—							
	10-20 WE 5521ND	BOOM , bottom, Port (Make from standard section J.2179)	1	L.64	—	LH28			
	10-20 WE 5522ND	BOOM , bottom, Starboard (Make from standard section J.2179)	1	L.64	—	LH28			

MAIN PLANES
WING EXTENSION

Ref. No.	Part No.	Description										No. off	Material Specification	Class of Store or L.M.	Plate No.	
		1	2	3	4	5	6	7	8	9	10					
	10-20 WE 3149ND												1	L.64	—	LH28
	10-20 WE 3150ND												1	L.64	—	LH28
17211	10-20 WE 8175												1	—	C	LH28
28F/9584	AGS.1148/B												1	—	C	
28F/9130664	AGS.1149/Mk 2												1	—	C	
13551	10-20 WE 6311A												1	—	P	LH28
13552	10-20 WE 6312A												1	—	P	LH28
10341	DHS.901/1EE												8	—	C	
4351	DHS.901/2EE												27	—	C	
3778	DHS.386/E												35	—	C	
28W/9419405	SP.15/E												35	—	C	
	10-20 WE 5101ND												1	L.73	LM	LH28
	10-20 WE 1653												2	LFS.23	—	LH28
	10-20 WE 5427												1	LFS.23	—	LH28
13502	10-20 WE 3677												1	DTD.687	C	LH28
4913	DHS.395/3½EE												13	—	C	
4909	DHS.395/4½EE												1	—	C	
5969	DHS.395/3½GG												19	—	C	
11482	DHS.395/4½GG												1	—	C	
5970	DHS.395/5GG												4	—	C	
28M/12931	A27/ET												14	—	C	
28M/1011470	A27/GT												24	—	C	
28W/9419405	SP.15/E												14	—	C	
28W/9419476	SP.15/G												24	—	C	
2359	DHS.388/E												1	—	C	
	10-20 WE 3633												5	L.59	LM	LH27
26DL/15890	DHS.1001/1C OR DHS.201/1C												1	—	C	
15526	DHS.1001/2½E OR DHS.201/2½E												1	—	C	
1664	DHS.201/2½E												1	—	C	
4403	DHS.383/C												1	—	C	
2227	DHS.983/E												1	—	C	
28W/9419475	SP.15/C												1	—	C	
28W/9419405	SP.15/E												1	—	C	

**MAIN PLANES
WING EXTENSION**

Ref. No.	Part No.	Description	No. off	Material Specification	Class of Store or L.M.	Plate No.			
							1	2	3
	10-20 WE 3635	STRIP , sealing, at stringer No. 9, bottom boom, 20 SWG	1	L.59	LM	LH28			
26DL/15890	DHS.1001/1C	Attachments for 10-20 WE 3635, Strip :-							
	OR	Bolt, 2 BA	2	—	C				
	DHS.201/1C	Nut, 2 BA	2	—	C				
4403	DHS.383/C	Washer	2	—	C				
28W/9419475	SP.15/C								
	10-20 WE 4203	STRIP , sealing, at stringer No. 4, bottom boom, Port, 20 SWG	1	L.59	LM	LH27			
	10-20 WE 4204	STRIP , sealing, at stringer No. 4, bottom boom, Starboard, 20 SWG	1	L.59	LM	LH27			
		Attachments for 10-20 WE 4203 or 10-20 WE 4204, Strip :-							
26DL/15890	DHS.1001/1C	Bolt, 2 BA	1	—	C				
	OR	Bolt, 1/2" BSF	1	—	C				
15006	DHS.201/1C	Nut, 2 BA	1	—	C				
	DHS.1001/3E	Nut, anchor, 1/4" BSF	1	—	C				
	OR								
26DV/7302	DHS.201/3E								
4403	DHS.383/C								
3778	DHS.386/E								
	10-20 WE 3637	STRIP , sealing, at stringer No. 10, bottom boom, Port, 20 SWG	1	L.59	LM	LH28			
	10-20 WE 3638	STRIP , sealing, at stringer No. 10, bottom boom, Starboard, 20 SWG	1	L.59	LM	LH28			
		Attachments for 10-20 WE 3637 or 10-20 WE 3638, Strip :-							
15006	DHS.1001/3E	Bolt, 1/2" BSF	1	—	C				
	OR	Nut, 1/2" BSF	1	—	C				
26DV/7302	DHS.201/3E								
3778	DHS.386/E								
	10-20 WE 3451A	VALVE , clack, and plate, between stiffeners Nos. 1 and 2, at bottom boom, Port, assembly	1	—	—	LH27			
	10-20 WE 3452A	VALVE , clack, and plate, between stiffeners Nos. 1 and 2, at bottom boom, Starboard, assembly	1	—	—	LH27			
		Spares for :-							
	10-20 WE 3433	PLATE , clack valve, Port	1	L.53	—	LH27			
	10-20 WE 3434	PLATE , clack valve, Starboard	1	L.53	—	LH27			
3671	10-20 WE 3457A	VALVE , clack, Port, assembly	1	—	P	LH27			
3672	10-20 WE 3458A	VALVE , clack, Starboard, assembly	1	—	P	LH27			
		Spares for :-							
	10-20 WE 3509ND	PLATE , clamping, 20 SWG	1	L.72	LM	LH27			
	10-20 WE 6657ND	SEAL , rubber, 1/16" thick	1	Resista 24	LM	LH27			
		(Secure with Boscoprene J.761)							
28W/9419473	SP.15/A	WASHER (Fit at rubber seal)	2	—	C				

MAIN PLANES
WING EXTENSION

Ref. No.	Part No.	Description										No. off	Material Specification	Class of Store or L.M.	Plate No.
		1	2	3	4	5	6	7	8	9	10				
		Attachments for 10-20 WE 3457A or 10-20 WE 3458A, Valve :-													
28D/1213386	A26/22C											1	—	C	
28M/1013107	A24/CS											1	—	C	
28P/9527619	SP.90/C7											1	—	C	
28W/9128924	SP.14/C											2	—	C	
		Attachments for 10-20 WE 3451A or 10-20 WE 3452A, Valve :-													
14212	DHS.1063/2½E OR											2	—	C	
4392	DHS.363/22E														
15526	DHS.1001/2½E OR											2	—	C	
1664	DHS.201/2½E														
15006	DHS.1001/3E OR											5	—	C	
26DV/7302	DHS.201/3E														
2227	DHS.983/E											8	—	C	
28W/9419405	SP.15/E											9	—	C	
	10-20 WE 3453A											1	—	—	LH27
	10-20 WE 3454A											1	—	—	LH27
	10-20 WE 3439											1	L.53	—	LH27
	10-20 WE 3440											1	L.53	—	LH27
3671	10-20 WE 3457A											1	—	P	LH27
3672	10-20 WE 3458A											1	—	P	LH27
	10-20 WE 3509ND											1	L.72	LM	LH27
	10-20 WE 6657ND											1	Resista 24	LM	LH27
28W/9419473	SP.15/A											2	—	C	
		Attachments for 10-20 WE 3457A or 10-20 WE 3458A, Valve :-													
28D/1213386	A26/22C											1	—	C	
28M/1013107	A24/CS											1	—	C	
28P/9527619	SP.90/C7											1	—	C	
28W/9128924	SP.14/C											2	—	C	
		Attachments for 10-20 WE 3453A or 10-20 WE 3454A, Valve :-													
15303	DHS.1063/2E OR											2	—	C	
3768	DHS.363/2E														
15166	DHS.1011/2E OR											2	—	C	
1123	DHS.201/2E														
15006	DHS.1001/3E OR											6	—	C	
26DV/7302	DHS.201/3E														
2227	DHS.983/E											10	—	C	
28W/9419405	SP.15/E											10	—	C	

MAIN PLANES
WING EXTENSION

Ref. No.	Part No.	Description	No. off	Material Specification	Class of Store or L.M.	Plate No.			
							1	2	3
	10-20 WE 3455A	VALVE, clack, and plate, at rear spar, bottom boom, Port, assembly	1	—	—	LH28			
	10-20 WE 3456A	VALVE, clack, and plate, at rear spar, bottom boom, Starboard, assembly	1	—	—	LH28			
	10-20 WE 3447	Spares for :—							
	10-20 WE 3448	PLATE, clack valve, Port	1	L.53	—	LH28			
	10-20 WE 3448	PLATE, clack valve, Starboard	1	L.53	—	LH28			
3673	10-20 WE 3459	VALVE, clack, assembly	1	—	P	LH28			
	10-20 WE 3509ND	Spares for :—							
	10-20 WE 3509ND	PLATE, clamping, 20 SWG	1	L.72	LM	LH28			
	10-20 WE 3507ND	SEAL, rubber, 1/8" thick	1	Resista 24	LM	LH28			
		(Secure with Boscoprene J.761)							
28W/9419473	SP.15/A	WASHER, (Fit at rubber seal)	2	—	C				
		Attachments for 10-20 WE 3459, Valve :—							
28D/1213386	A26/22C	Bolt, 2 BA	1	—	C				
28M/1013107	A24/C5	Nut, 2 BA	1	—	C				
28P/9527619	SP.0/C7)	Pin, split (SP.9/C8)	1	—	C				
28W/9128924	SP.14/C	Washer	2	—	C				
		Attachments for 10-20 WE 3455A or 10-20 WE 3456A, Valve :—							
15006	DHS.1001/3E	Bolt, 1/2" BSF	6	—	C				
	OR								
26DV/7302	DHS.201/3E	Nut, 1/2" BSF	6	—	C				
2227	DHS.983/E	Washer	6	—	C				
28W/9419405	SP.15/E								
	—	RIB, No. 7, group (Drg. No. 10-20 WE 3257)	1	—	—	LH29			
	10-20 WE 5057A/ND	RIB, No. 7, front spar to main spar, Port, assembly (For spares use 10-20 WE 6151A/ND) (Mod. 37)	1	—	—	LH29			
11245	10-20 WE 6151A/ND	RIB, No. 7, front spar to main spar, Port, assembly (Spares condition) (Mod. 37)	1	—	P				
	10-20 WE 5058A/ND	RIB, No. 7, front spar to main spar, Starboard, assembly (For spares use 10-20 WE 6152A/ND) (Mod. 37)	1	—	—	LH29			
11246	10-20 WE 6152A/ND	RIB, No. 7, front spar to main spr, Starboard, assembly (Spares condition) (Mod. 37)	1	—	P				
		Spares for :—							
	10-20 WE 3375A	BOOM, top forward, Port, assembly ...	1	—	—	LH29			
	10-20 WE 3376A	BOOM, top, forward, Starboard, assembly	1	—	—	LH29			
	10-20 WE 3255	Spares for :—							
	10-20 WE 3256	BRACKET, stiffener, Port	1	L.53	—	LH29			
		BRACKET, stiffener, Starboard	1	L.53	—	LH29			
		Attachments for 10-20 WE 3255 or 10-20 WE 3256, Bracket :—							
28D/1219751	A61/2E	Bolt, 1/2" BSF	2	—	C				
3796	DHS.395/4E	Bolt, 1/2" BSF	2	—	C				
28M/1011475	A27/EP	Nut, 1/2" BSF	2	—	C				
28M/13376	A29/EP	Nut, 1/2"	2	—	C				
28W/9419405	SP.15/E	Washer	4	—	C				

MAIN PLANES
WING EXTENSION

Ref. No.	Part No.	Description	No. off	Material Specification	Class of Store or L.M.	Plate No.			
							1	2	3
	10-20 WE 4629	BRACKET , forward, lower, Port (Mod. 37)	1	DTD.304	—	LH29			
	10-20 WE 4630	BRACKET , forward, lower, Starboard (Mod. 37)	1	DTD.304	—	LH29			
		Attachments for 10-20 WE 4629 or 10-20 WE 4630, Bracket :—							
3802	DHS.395/3½E	Bolt, ½" BSF	1	—	C	LH29			
3796	DHS.395/4E	Bolt, ½" BSF	2	—	C	LH29			
28M/1011475	A27/EP	Nut, ½" BSF	3	—	C				
28W/9419405	SP.15/E	Washer	3	—	C				
	10-20 WE 4631	BRACKET , rear, lower, Port (Mod. 37) ...	1	DTD.304	—	LH29			
	10-20 WE 4632	BRACKET , rear, lower, Starboard (Mod. 37)	1	DTD.304	—	LH29			
		Attachments for 10-20 WE 4631 or 10-20 WE 4632, Bracket :—							
3802	DHS.395/3½E	Bolt, ½" BSF	4	—	C	LH29			
3796	DHS.395/4E	Bolt, ½" BSF	2	—	C	LH29			
28M/1011475	A27/EP	Nut, ½" BSF	6	—	C				
28W/9419405	SP.15/E	Washer	6	—	C				
	10-20 WE 3331A	STRUT , No. 1, assembly (For spares use 10-20 WE 5929A/ND)	1	—	—	LH29			
	10-20 WE 5929A/ND	STRUT , No. 1., assembly (Spares condition)	1	—	—				
	10-20 WE 3313A	STRUT , No. 4, assembly (For spares use 10-20 WE 5853A/ND)	1	—	—	LH29			
	10-20 WE 5853A/ND	STRUT , No. 4, assembly (Spares condition)	1	—	—				
		Attachments for 10-20 WE 3331A or 10-20 WE 3313A, Strut :—							
3227	DHS.901/6½G	Bolt, ½" BSF	1	—	C				
3803	DHS.901/7J	Bolt, ¾" BSF	1	—	C				
26DV/7311	DHS.202/G	Nut, ½" BSF	1	—	C				
5208	DHS.983/J	Nut, ¾" BSF	1	—	C				
28W/9419476	SP.15/G	Washer	1	—	C				
28W/9419477	SP.15/J	Washer	1	—	C				
	10-20 WE 4649A	STRUT , No. 2 assembly (For spares use 10-20 WE 6021A/ND)	1	—	—	LH29			
11072	10-20 WE 6021A/ND	STRUT , No. 2, assembly (Spares condition)	1	—	P				
	10-20 WE 3311A	STRUT , No. 3, assembly (For spares use 10-20 WE 5849A/ND)	1	—	—	LH29			
10722	10-20 WE 5849A/ND	STRUT , No. 3, assembly (Spares condition)	1	—	P				
		Attachments for 10-20 WE 4649A or 10-20 WE 3311A, Strut :—							
3804	DHS.901/6½G	Bolt, ½" BSF	1	—	C				
3805	DHS.901/7JJ	Bolt, ¾" BSF	1	—	C				
28M/15400	A29/GS	Nut, ¾" BSF	1	—	C				
28M/13451	A29/JS	Nut, ¾" BSF	1	—	C				
28P/5412	AGS.1551 Mk. 2	Pin, safety	2	—	C				
28W/9419476	SP.15/G	Washer	1	—	C				
28W/9419477	SP.15/J	Washer	1	—	C				
	10-20 WE 3315A	STRUT , No. 5, assembly (For spares use 10-20 WE 5857A/ND)	1	—	—	LH29			
10723	10-20 WE 5857A/ND	STRUT , No. 5, assembly (Spares condition)	1	—	P				
		Attachments for 10-20 WE 3315A, Strut :—							
3805	DHS.901/7JJ	Bolt, ¾" BSF	2	—	C				
28M/1011476	A27/JS	Nut, ¾" BSF	2	—	C				
28P/5412	AGS.1551 Mk. 2	Pin, safety	2	—	C				
28W/9419477	SP.15/J	Washer	2	—	C				

MAIN PLANES
WING EXTENSION

Ref. No.	Part No.	Description	No. off	Material Specification	Class of Store or L.M.	Place No.			
							1	2	3
		Attachments for 10-20 WE 5057A/ND or 10-20 WE 5058A/ND, Rib :—							
28D/1011030	A25/2E	Bolt, 1/4" BSF	6	—	C				
4357	DHS.395/3E	Bolt, 1/4" BSF	13	—	C				
28M/1007403	A27/ET	Nut, 1/4" BSF	6	—	C				
28M/1011475	A27/EP	Nut, 1/4" BSF	13	—	C				
28W/9418921	SP.13/E	Washer	19	—	C				
	10-20 WE 5055A/ND	RIB, No. 7, main spar to rear spar, Port, assembly (For spares use 10-20 WE 6083A/ND) (Mod. 37)	1	—	—	LH29			
11132	10-20 WE 6083A/ND	RIB, No. 7, main spar to rear spar, Port, assembly (Spares condition) (Mod. 37)	1	—	P				
	10-20 WE 5056A/ND	RIB, No. 7, main spar to rear spar, Starboard, assembly (For spares use 10-20 WE 6084A/ND) (Mod. 37)	1	—	—	LH29			
11133	10-20 WE 6084A/ND	RIB, No. 7, main spar to rear spar, Starboard, assembly (Spares condition) (Mod. 37)	1	—	P				
	10-20 WE 3247A	BOOM, top, Port, assembly	1	—	C	LH29			
	10-20 WE 3248A	BOOM, top, Starboard, assembly	1	—	—	LH29			
	10-20 WE 3251	Spares for :—							
	10-20 WE 3252	BRACKET, aft, Port	1	L.53	—	LH29			
		BRACKET, aft, Starboard	1	L.53	—	LH29			
		Attachments for 10-20 WE 3251 or 10-20 WE 3252, Bracket :—							
28D/1219751	A61/2E	Bolt, 1/2" BSF	2	—	C				
3796	DHS.395/4E	Bolt, 1/2" BSF	1	—	C				
28M/1011475	A27/EP	Nut, 1/2" BSF	1	—	C				
28M/13376	A29/EP	Nut, 1/2" BSF	2	—	C				
28W/9419405	SP.15/E	Washer	3	—	C				
	10-20 WE 3253	BRACKET, forward, Port	1	L.53	—	LH29			
	10-20 WE 3254	BRACKET, forward, Starboard	1	L.53	—	LH29			
		Attachments for 10-20 WE 3253 or 10-20 WE 3254, Bracket :—							
28D/1219751	A61/2E	Bolt, 1/2" BSF	2	—	C				
3796	DHS.395/4E	Bolt, 1/2" BSF	2	—	C				
28M/1011475	A27/EP	Nut, 1/2" BSF	2	—	C				
28M/13376	A29/EP	Nut, 1/2" BSF	2	—	C				
28W/9419405	SP.15/E	Washer	4	—	C				
	10-20 WE 4633	BRACKET, forward, lower, Port (Mod. 37)	1	DTD.304	—	LH29			
	10-20 WE 4634	BRACKET, forward, lower, Starboard (Mod. 37)	1	DTD.304	—	LH29			
		Attachments for 10-20 WE 4633 or 10-20 WE 4634, Bracket :—							
3802	DHS.395/3 1/2 E	Bolt, 1/2" BSF	1	—	C				
3796	DHS.395/4E	Bolt, 1/2" BSF	2	—	C				
3806	DHS.395/5E	Bolt, 1/2" BSF	2	—	C				
28M/1011475	A27/EP	Nut, 1/2" BSF	5	—	C				
28W/9419405	SP.15/E	Washer	5	—	C				

MAIN PLANES
WING EXTENSION

Ref. No.	Part No.	Description	No. off										Material Specification	Class of Store or L.M.	Plate No.		
			1	2	3	4	5	6	7	8	9	10					
	10-20 WE 4635	BRACKET , rear, lower, Port (Mod. 37) ...											1	DTD.304	—	LH29	
	10-20 WE 4636	BRACKET , rear, lower, Starboard ... (Mod. 37)											1	DTD.304	—	LH29	
		Attachments for 10-20 WE 4635 or 10-20 WE 4636, Bracket :—															
3802	DHS.395/3½E	Bolt, ½" BSF ...											5	—	C		
3796	DHS.395/4E	Bolt, ½" BSF ...											2	—	C		
28M/1011475	A27/EP	Nut, ½" BSF ...											7	—	C		
28W/9419405	SP.15/E	Washer ...											7	—	C		
	10-20 WE 3335A	STRUT , No. 6, assembly (For spares use 10-20 WE 5931A/ND)											1	—	—	LH29	
	10-20 WE 5931A/ND	STRUT , No. 6, assembly (Spares condition)											1	—	—		
	10-20 WE 3311A	STRUT , No. 9, assembly (For spares use 10-20 WE 5849A/ND)											1	—	—	LH29	
10722	10-20 WE 5849A/ND	STRUT , No. 9, assembly (Spares condition)											1	—	P		
	10-20 WE 3339A	STRUT , No. 10, assembly (For spares use 10-20 WE 5935A/ND)											1	—	—	LH29	
	10-20 WE 5935A/ND	STRUT , No. 10, assembly (Spares condition)											1	—	—		
		Attachments for 10-20 WE 3335A, 10-20 WE 3311A or 10-20 WE 3339A, Strut :—															
3327	DHS.901/6½G	Bolt, ¾" BSF ...											1	—	C		
3803	DHS.901/7J	Bolt, ¾" BSF ...											1	—	C		
2220	DHS.383/G	Nut, ¾" BSF ...											1	—	C		
5298	DHS.983/J	Nut, ¾" BSF ...											1	—	C		
28W/9419476	SP.15/G	Washer ...											1	—	C		
28W/9419477	SP.15/J	Washer ...											1	—	C		
	10-20 WE 3317A	STRUT , No. 7, assembly (For spares use 10-20 WE 5861A/ND)											1	—	—	LH29	
10724	10-20 WE 5861A/ND	STRUT , No. 7, assembly (Spares condition)											1	—	P		
	10-20 WE 3337A	STRUT , No. 8, assembly (For spares use 10-20 WE 5933A/ND)											1	—	—	LH29	
10733	10-20 WE 5933A/ND	STRUT , No. 8, assembly (Spares condition)											1	—	P		
		Attachments for 10-20 WE 3317A or 10-20 WE 3337A, Strut :—															
3804	DHS.901/6½GG	Bolt, ¾" BSF ...											1	—	C		
3805	DHS.901/7JJ	Bolt, ¾" BSF ...											1	—	C		
28M/15400	A29/GS	Nut, ¾" BSF ...											1	—	C		
28M/13451	A29/JS	Nut, ¾" BSF ...											1	—	C		
28P/5412	AGS.1551 Mk. 2	Pin, safety ...											2	—	C		
28W/9419476	SP.15/G	Washer ...											1	—	C		
28W/9419477	SP.15/J	Washer ...											1	—	C		
	10-20 WE 3319A	STRUT , No. 11, assembly (For spares use 10-20 WE 5865A/ND)											1	—	—	LH29	
10725	10-20 WE 5865A/ND	STRUT , No. 11, assembly (Spares condition)											1	—	P		
		Attachments for 10-20 WE 3319A, Strut :—															
3805	DHS.901/7JJ	Bolt, ¾" BSF ...											2	—	C		
28M/13451	A29/JS	Nut, ¾" BSF ...											2	—	C		
28P/5412	AGS.1551 Mk. 2	Pin, safety ...											2	—	C		
28W/9419477	SP.15/J	Washer ...											2	—	C		

**MAIN PLANES
WING EXTENSION**

Ref. No.	Part No.	Description										No. off	Material Specification	Class of Store or L.M.	Plate No.
		1	2	3	4	5	6	7	8	9	10				
		Attachments for 10-20 WE 5055A/ND or 10-20 WE 5056A/ND, Rib :—													
28D/1011030	A25/2E											6	—	C	
4357	DHS.395/3E											12	—	C	
3802	DHS.395/3½E											4	—	C	
28M/12931	A27/ET											6	—	C	
28M/12928	A27/EP											16	—	C	
28W/9419405	SP.15/E											22	—	C	
	—											1	—	—	LH30
	10-20 WE 2113											1	L.73	LM	LH30
	10-20 WE 2114											1	L.73	LM	LH30
	10-20 P 2289A											2	L.72	LM	LH30
												Attachments for 10-20 P 2289A, Bracket :—			
28D/9436920	A25/1C											5	—	C	
28M/1006473	A27/CT											5	—	C	
26DL/5456	DHS.402/C											5	—	C	
3688	10-20 WE 1705											1	—	C	LH30
3689	10-20 WE 1706											1	—	C	LH30
3686	10-20 WE 1707											1	—	C	LH30
3687	10-20 WE 1708											1	—	C	LH30
												Attachments for 10-20 WE 1705, 10-20 WE 1706, 10-20 WE 1707 or 10-20 WE 1708, Bracket :—			
3568	DHS.393/3E											1	—	C	
26DL/16016	DHS.1093/3E											1	—	C	
3809	DHS.393/4½E											1	—	C	
15576	DHS.1093/4½E											1	—	C	
12159	DHS.1082/3½E											1	—	C	
28M/12931	A27/ET											1	—	C	
26DV/7310	DHS.202/E											2	—	C	
2227	DHS.983/E											2	—	C	
26DL/5611	DHS.402/E											1	—	C	
28W/9419405	SP.15/E											1	—	C	
2359	DHS.388/E											3	—	C	
3821	10-20 WE 1697											2	—	C	LH30
3822	10-20 WE 1698											2	—	C	LH30
												Attachments for 10-20 WE 1697 or 10-20 WE 1698, Bracket :—			
3568	DHS.393/3E											2	—	C	
26DL/16016	DHS.1093/3E											2	—	C	
26DV/7303	DHS.201/4E											1	—	C	
14213	DHS.1001/4E											1	—	C	
26DV/7310	DHS.202/E											6	—	C	
2227	DHS.983/E											6	—	C	
26DL/5611	DHS.402/E											1	—	C	
28W/9418921	SP.13/E											1	—	C	
2359	DHS.388/E											3	—	C	

**MAIN PLANES
WING EXTENSION**

Ref. No.	Part No.	Description										No. off	Material Specification	Class of Score or L.M.	Plate No.	
		1	2	3	4	5	6	7	8	9	10					
8323	10-20 WC 14799											BRACKET , stiffener, foot, at stiffeners Nos. 2, 3, 4 and 5, bottom aft and top forward Port and bottom forward and top aft Starboard	16	—	C	LH30
	10-20 WC 14797											BRACKET , stiffener, foot, at stiffeners Nos. 2, 3, 4 and 5, bottom forward Port and top forward Starboard (For spares use 10-20 WC 25769ND)	8	—	—	LH30
8322	10-20 WC 25769ND											BRACKET , stiffener, foot, at stiffeners Nos. 2, 3, 4 and 5, bottom forward Port and top forward Starboard (Spares condition)	8	—	C	
	10-20 WC 14801											BRACKET , stiffener, foot, at stiffeners Nos. 2, 3, 4 and 5, top aft Port and bottom aft Starboard (For spares use 10-20 WC 25771ND)	8	—	—	LH30
8324	10-20 WC 25771ND											BRACKET , stiffener, foot, at stiffeners No. 2, 3, 4 and 5, top aft Port, and bottom aft Starboard (Spares condition)	8	—	C	
8326	10-20 WC 14804											BRACKET , stiffener foot, at stiffeners No. 6, 7, 8 and 9, bottom aft Port, and top aft Starboard	8	—	C	LH30
	10-20 WC 14805											BRACKET , stiffener foot, at stiffeners No. 6, 7, 8 and 9, bottom forward Port, and top forward Starboard (For spares use 10-20 WC 25767ND)	8	—	—	LH30
8327	10-20 WC 25767ND											BRACKET , stiffener foot, at stiffeners No. 6, 7, 8 and 9, bottom forward Port, and top forward Starboard (Spares condition)	8	—	C	
8325	10-20 WC 14803											BRACKET , stiffener foot, at stiffeners No. 6, 7, 8 and 9, top aft Port, and bottom aft Starboard	8	—	C	LH30
	10-20 WC 14806											BRACKET , stiffener foot, at stiffeners No. 6, 7, 8 and 9, top forward Port, and bottom forward Starboard (For spares use 10-20 WC 25768ND)	8	—	—	LH30
8328	10-20 WC 25768ND											BRACKET , stiffener foot, at stiffeners No. 6, 7, 8 and 9, top forward Port, and bottom forward Starboard (Spares condition)	8	—	C	
												Attachments for 10-20 WC 14799, 10-20 WC 14797, 10-20 WC 14801, 10-20 WC 14804, 10-20 WC 14805, 10-20 WC 14803 or 10-20 WC 14806, Brackets (per pair) :—				
3810	DHS.365/7E											Bolt, 1/2" BSF	2	—	C	
	DHS.201/13E											Bolt, 1/2" BSF (Pre Mod. 360)	3	—	—	
	DHS.1001/13E											Bolt, 1/2" BSF (Mod. 360)	3	—	—	
28M/12928	A27/EP											Nut, 1/2" BSF	2	—	C	
26DV/7310	DHS.202/E											Nut, 1/2" BSF (Pre Mod. 360)	3	—	C	
2227	DHS.983/E											Nut, 1/2" BSF (Mod. 360)	3	—	C	
3701	10 WC 6505											Shim	2	—	C	LH30
3702	10 WC 2273											Washer, special	4	—	C	LH30

MAIN PLANES
WING EXTENSION

Ref. No.	Part No.	Description	No. off	Material Specification	Class of Store or L.M.	Plate No.			
							1	2	3
	10-20 WE 1723A	POST , nose rib, Port, assembly	1	L.73	—	LH30			
	10-20 WE 1724A	POST , nose rib, Starboard, assembly	1	L.73	—	LH30			
	10-20 WE 667	Spares for :— PLATE , reinforcing, 20 SWG	1	L.73	—	LH30			
		Attachments for 10-20 WE 1723A or 10-20 WE 1724A, Post :—							
1664	DHS.201/2½E	Bolt, ½" BSF (Pre Mod. 360)	7	—	C				
15526	DHS.1001/2½E	Bolt, ½" BSF (Mod. 360)	7	—	C				
12159	DHS.1082/3½E	Bolt, ½" BSF	2	—	C				
28DV/7310	DHS.202/E	Nut, ½" BSF (Pre Mod. 360)	7	—	C				
2227	DHS.983/E	Nut, ½" BSF (Mod. 360)... ..	7	—	C				
28M/1007403	A27/ET	Nut, ½" BSF	2	—	C				
28W/9419405	SP15/E	Washer	9	—	C				
	10-20 WE 10439A	RIB , No. 8, between front and rear spars, Port, assembly (Mod. 1131) (For spares use 10-20 WE 10441A/ND)	1	—	—	LH30			
18508	10-20 WE 10441A/ND	RIB , No. 8, between front and rear spars, Port, assembly (Spares condition)	1	—	P				
	10-20 WE 10440A	RIB , No. 8, between front and rear spars, Starboard, assembly (Mod. 1131) (For spares use 10-20 WE 10442A/ND)	1	—	—	LH30			
18509	10-20 WE 10442A/ND	RIB , No. 8, between front and rear spars, Starboard, assembly (Spares condition)	1	—	—				
13548	10-20 P 3235	Spares for :— BOLT , special, vent pipe bonding at stiffener No. 7	1	—	C	LH30			
		Attachments for 10-20 P 3235, Bolt :—							
28M/10288	AGS.2001/C/1	Nut, 2 BA	2	—	C				
26DL/5456	DHS.402/C	Seal, board	1	—	C				
28W/9419475	SP.15/C	Washer	1	—	C				
	10-20 WE 2007ND	BOOM , bottom, Port (Make from standard section J.765)	1	DTD.364	—	LH30			
	10-20 WE 2008ND	BOOM , bottom, Starboard (Make from standard section J.765)	1	DTD.364	—	LH30			
	10-20 WE 2005ND	BOOM , top, Port (Make from standard section J.765)	1	DTD.364	—	LH30			
	10-20 WE 2006ND	BOOM , top, Starboard (Make from standard section J.765)	1	DTD.364	—	LH30			
		Attachments for 10-20 WE 2007ND, 10-20 WE 2008ND, 10-20 WE 2005ND or 10-20 WE 2006ND, Boom :—							
1123	DHS.201/2E	Bolt, ½" BSF	9	—	C				
26DV/7310	DHS.202/E	Nut, ½" BSF	9	—	C				
26DL/5611	DHS.402/E	Seal, bonded	9	—	C				
	10-20 WE 3971A	BRACKET , clamp block at stiffener No. 2, starboard only, 18 SWG	1	L.72	—	LH30			
		Spares for :—							
28M/9435067	AGS.2008/C/1	NUT , anchor, 2 BA	1	—	C				
	10-20 N 2219A	BRACKET , mounting, conduit "P" clip at stiffener No. 4, Starboard only, 18 SWG	1	L.72	LM	LH30			
		Spares for :—							
28M/9435067	AGS.2008/C/1	NUT , anchor, 2 BA	1	—	C				

MAIN PLANES
WING EXTENSION

Ref. No.	Part No.	Description	No. off	Material Specification	Class of Store or L.M.	Plate No.			
							1	2	3
	10-20 WE 10071A	PANEL , fuel pump electrical suppressor, Port, assembly (Mod. 1131) Spares for :—	1	—	—	LH30			
28M/9434251	AGS.2008/B/1	NUT , anchor, 4 BA	4	—	C				
28M/9435067	AGS.2008/C/1	NUT , anchor, 2 BA	3	—	C				
	10-20 WE 10035ND	PLATE , mounting, suppressor box, 14 SWG Attachments for 10-20 WE 10035ND, Plate:	1	L.72	LM	LH30			
28D/9436920	A25/1C	Bolt, 2 BA	2	—	C				
28W/9419475	SP.15/C	Washer	2	—	C				
	10-20 WE 10419A	PANEL , fuel pump electrical suppressor, Starboard, assembly (Mod. 1131) Spares for :—	1	—	—	LH30			
28M/9434251	AGS.2008/B/1	NUT , anchor, 4 BA	6	—	C				
28M/9435067	AGS.2008/C/1	NUT , anchor, 2 BA	3	—	C				
	10-20 WE 10067ND	PLATE , mounting, suppressor box, 14 SWG Attachments for 10-20 WE 10067ND, Plate:	1	L.72	LM	LH30			
28D/9436920	A25/1C	Bolt, 2 BA	2	—	C				
28W/9419475	SP.15/C	Washer	2	—	C				
	10-20 WE 3775A	PLATE , anchor nut, for fuel tanks Nos. 3 and 4 float switches, 16 SWG Spares for :—	2	L.72	LM	LH30			
28M/10226	AGS.2009/C/3	NUT , anchor, 2 BA	7	—	C				
3808	DHS.869/E	NUT , anchor, 1/2" BSF	1	—	C				
	10-20 N 22557ND	PLATE , mounting, connector block, Starboard only, 18 SWG (Mod. 1131) Attachments for 10-20 WE 10439A or 10-20 WE 10440A, Rib :—	1	L.72	LM	LH30			
3807	DHS.901/3EE	Bolt, 1/2" BSF	3	—	C				
15301	DHS.1082/2 1/2E	Bolt, 1/2" BSF	10	—	C				
11928	DHS.1082/3E	Bolt, 1/2" BSF	2	—	C				
26DV/7302	DHS.201/3E	Bolt, 1/2" BSF	4	—	C				
3196	DHS.363/3E	Bolt, 1/2" BSF (Pre Mod. 360)	38	—	C				
15548	DHS.1063/3E	Bolt, 1/2" BSF (Mod. 360)	40	—	C				
3568	DHS.393/3E	Bolt, 1/2" BSF (Pre Mod. 360)	38	—	C				
26DL/16016	DHS.1093/3E	Bolt, 1/2" BSF (Mod. 360)	38	—	C				
3802	DHS.395/3 1/2E	Bolt, 1/2" BSF	2	—	C				
28M/1007403	A27/ET	Nut, 1/2" BSF	2	—	C				
26DV/7310	DHS.202/E	Nut, 1/2" BSF	7	—	C				
2227	DHS.983/E	Nut, 1/2" BSF	52	—	C				
26DV/7310	DHS.202/E	Nut, 1/2" BSF (Pre Mod. 360)	38	—	C				
2227	DHS.983/E	Nut, 1/2" BSF (Mod. 360)	38	—	C				
26DL/5611	DHS.402/E	Seal, bonded	53	—	C				
28W/9419405	SP.15/E	Washer	4	—	C				
2359	DHS.388/E	Washer, sealing	2	—	C				
	10-20 WE 1715ND	STRIP , sealing, at front spar (Make from standard section J.829) (For spares use 10-20 WE 6527ND)	1	—	—	LH30			
13675	10-20 WE 6527ND	STRIP , sealing, at front spar (Make from standard section J.829) (Spares condition) Attachments for 10-20 WE 1715ND, Strip :—	1	—	C				
1123	DHS.201/2E	Bolt, 1/2" BSF (Pre Mod. 360)	4	—	C				
15166	DHS.1001/2E	Bolt, 1/2" BSF (Mod. 360)	4	—	C				
26DV/7310	DHS.202/E	Nut, 1/2" BSF (Pre Mod. 360)	4	—	C				
2227	DHS.983/E	Nut, 1/2" BSF (Mod. 360)	4	—	C				
26DL/5611	DHS.402/E	Seal, bonded	4	—	C				
2359	DHS.388/E	Washer, sealing	4	—	C				

MAIN PLANES
WING EXTENSION

Ref. No.	Part No.	Description										No. off	Material Specification	Class of Store or L.M.	Plate No.
		1	2	3	4	5	6	7	8	9	10				
	10-20 WE 5417ND	STRIP , seal retaining at main spar (Make from standard section J.526)										1	DTD.364	—	LH30
		Attachments for 10-20 WE 5417ND, Strip :—													
1123	DHS.201/2E	Bolt, 1/2" BSF										4	—	C	
26DV/7310	DHS.202/E	Nut, 1/2" BSF										4	—	C	
26DL/5611	DHS.402/E	Seal, bonded										4	—	C	
2359	DHS.388/E	Washer, sealing										4	—	C	
	—	SEALS , fuel tanks Nos. 3 and 4, group (Drg. No. 10-20 WE 4099)										1	—	—	LH45
4669	10-20 WC 10202	SEAL , at outboard edge of forward latch, forward and rear hinges, bottom Port, top Starboard										6	—	C	LH45
4668	10-20 WC 10201	SEAL , at outboard edge of forward latch, forward and rear hinges, top Port, bottom Starboard										6	—	C	LH45
14240	10-20 WE 6469A/ND	SEAL , bottom centre latch, Port, assembly										1	—	C	LH45
14241	10-20 WE 6470A/ND	SEAL , bottom centre latch, Starboard, assembly										1	—	C	LH45
4924	6 WC 2415	SEAL , moulded rubber corner										1	—	C	LH45
4666	10-20 WC 10199	SEAL , moulded rubber corner										1	—	C	LH45
	10-20 WE 4227ND	SEAL , rubber (Make from standard section J.575, Ref. No. 26FY/7963)										1	—	LM	LH45
4667	10-20 WC 10203	SEAL , tapered rubber										2	—	C	LH45
14244	10-20 WE 6473A/ND	SEAL , bottom rear latch, Port, assembly ...										1	—	C	LH45
14245	10-20 WE 6474A/ND	SEAL , bottom rear latch, Starboard, assembly										1	—	C	LH45
4924	6 WC 2415	SEAL , moulded rubber corner										1	—	C	LH45
4666	10-20 WC 10199	SEAL , moulded rubber corner										1	—	C	LH45
	10-20 WE 4227ND	SEAL , rubber (Make from standard section J.575, Ref. No. 26FY/7963)										1	—	LM	LH45
4667	10-20 WC 10203	SEAL , tapered rubber										2	—	C	LH45
14238	10-20 WE 6467A/ND	SEAL , top forward hinge, Port, assembly ...										1	—	C	LH45
14239	10-20 WE 6468A/ND	SEAL , top forward hinge, Starboard, assembly										1	—	C	LH45
4924	6 WC 2415	SEAL , moulded rubber corner										1	—	C	LH45
4666	10-20 WC 10199	SEAL , moulded rubber corner										1	—	C	LH45
	10-20 WE 4227ND	SEAL , rubber (Make from standard section J.575, Ref. No. 26FY/7963)										1	—	LM	LH45
4667	10-20 WC 10203	SEAL , tapered rubber										2	—	C	LH45
14242	10-20 WE 6471A/ND	SEAL , top rear hinge, Port, assembly ...										1	—	C	LH45
14243	10-20 WE 6472A/ND	SEAL , top rear hinge, Starboard, assembly...										1	—	C	LH45
4924	6 WC 2415	SEAL , moulded rubber corner										1	—	C	LH45
4666	10-20 WC 10199	SEAL , moulded rubber corner										1	—	C	LH45
	10-20 WE 4227ND	SEAL , rubber (Make from standard section J.575, Ref. No. 26FY/7963)										1	—	LM	LH45
4667	10-20 WC 10203	SEAL , tapered rubber										2	—	C	LH45
12182	10-20 WE 5373A/ND	SEAL , at intersection of front spar and rib No. 4A, Port, assembly										1	—	C	LH45
14246	10-20 WE 5374A/ND	SEAL , at intersection of front spar and rib No. 4A, Starboard, assembly										1	—	C	LH45
4924	6 WC 2415	SEAL , moulded rubber corner										2	—	C	LH45
4666	10-20 WC 10199	SEAL , moulded rubber corner										4	—	C	LH45
	10-20 WE 4227ND	SEAL , rubber (Make from standard section J.575, Ref. No. 26FY/7963)										2	—	LM	LH45
	10-20 WE 1717ND	SEAL , rubber (Make from standard section J.575, Ref. No. 26FY/7963)										1	—	LM	LH45
4667	10-20 WC 10203	SEAL , tapered rubber										4	—	C	LH45

MAIN PLANES
WING EXTENSION

Ref. No.	Part No.	Description	No. off	Material Specification	Class of Store or L.M.	Plate No.			
							1	2	3
19259	10-20 WE 10599A/ND	SEAL, at intersection of front spar and rib No. 8 and rear spar and rib No. 4A, top and bottom, assembly	4	—	C	LH45			
4924	6 WC 2415	SEAL, moulded rubber corner	2	—	C	LH45			
	10-20 WE 10601ND	SEAL, rubber (Make from standard section J.575, Ref. No. 26FY/7963)	1	—	LM	LH45			
12184	10-20 WE 5379A/ND	SEAL, at intersection of rear spar and rib No. 8, top and bottom, assembly	2	—	C	LH45			
4666	10-20 WC 10199	SEAL, moulded rubber corner	1	—	C	LH45			
	10-20 WE 1719ND	SEAL, rubber (Make from standard section J.575, Ref. No. 26FY/7963)	1	—	LM	LH45			
	10-20 WE 5397A	SPAR, front, ribs Nos. 4A to 8, Port, assembly (For Spares use 10-20 WE 6691ND) (Mod. 7)	1	—	—	LH53			
14665	10-20 WE 6691ND	SPAR, front, ribs Nos. 4A to 8, Port, assembly (Spares condition) (Mod. 7)	1	—	P	—			
	10-20 WE 5398A	SPAR, front ribs Nos. 4A to 8, Starboard, assembly (For Spares use 10-20 WE 6960A/ND) (Mod. 776)	1	—	—	LH53			
16632	10-20 WE 6960A/ND	SPAR, front, ribs Nos. 4A to 8, Starboard ... (Spares condition) (Mod. 776)	1	—	P	—			
	10 WC 4447	ANGLE, attachment, at nose ribs Nos. 4B, 6 and 6A posts, bottom, Port, 20 SWG	3	L.73	LM	LH53			
	10 WC 4448	ANGLE, attachment, at nose ribs Nos. 4B, 6 and 6A posts, bottom, Starboard, 20 SWG	3	L.73	LM	LH53			
	10-20 WE 3047	ANGLE, attachment, at nose rib No. 7 post, 20 SWG	2	L.73	LM	LH53			
	10-20 WE 5199A	BRACKET, mounting, between nose ribs Nos. 4A and 4B, Port, assembly	1	—	—	LH53			
	10-20 WE 5200A	BRACKET, mounting, between nose ribs Nos. 4A and 4B, Starboard, assembly	1	—	—	LH53			
	10-20 WE 5197ND	BRACKET, Port, 18 SWG	1	L.72	LM	LH53			
	10-20 WE 5198ND	BRACKET, Starboard, 18 SWG	1	L.72	LM	LH53			
28M/13774	AGS.2019/B/1	NUT, anchor, 4 BA	4	—	C	—			
		Attachments for 10-20 WE 5199A or 10-20 WE 5200A, Bracket:—							
	11691 DHS.901/1½C	Bolt, 2 BA	3	—	C	—			
	2727 DHS.901/2E	Bolt, 1" BSF	2	—	C	—			
28M/13324	A29/CP	Nut, 2 BA	3	—	C	—			
	2227 DHS.983/E	Nut, 1" BSF	2	—	C	—			
26DL/5456	DHS.402/C	Seal, bonded	3	—	C	—			
26DL/5611	DHS.402/E	Seal, bonded	2	—	C	—			
	10-20 WE 5005A	BRACKET, mounting clamp at stiffener No. 2, 20 SWG	1	L.72	LM	LH53			
		Attachments for 10-20 WE 5005A, Bracket:—							
	4133012 28D/13551	Bolt, 2 BA	2	—	C	—			
BM 9403520	28M/42927	Nut, 2 BA	2	—	C	—			
	26DL/5456	Seal, bonded	2	—	C	LH53			
US	28W/12355 9419404	Washer	2	—	C	—			

MAIN PLANES
WING EXTENSION

Ref. No.	Part No.	Description	No. off	Material Specification	Class of Store or L.M.	Plate No.			
							1	2	3
	10-20 WE 2911	BRACKET , mounting duct at nose ribs Nos. 4B, 6 and 6A posts, 20 SWG	3	L.72	LM	LH53			
2732	DHS.901/3E	Attachments for 10-20 WE 2911, Bracket :—							
2227	DHS.983/E	Bolt, 1/2" BSF	2	—	C				
26DL/5611	DHS.402/E	Nut, 1/2" BSF	2	—	C				
		Seal, bonded	2	—	C				
	10-20 WE 2909	BRACKET , mounting duct at nose rib No. 7 post, 20 SWG	1	L.72	LM	LH53			
		Attachments for 10-20 WE 2909, Bracket :—							
2727	DHS.901/2E	Bolt, 1/2" BSF	2	—	C				
2227	DHS.983/E	Nut, 1/2" BSF	2	—	C				
26DL/5611	DHS.402/E	Seal, bonded	2	—	C				
	10-20 WE 2909	BRACKET , mounting duct at stiffeners Nos. 5, 6, 11 and 12, 20 SWG	4	L.72	LM	LH53			
	10-20 WE 2911	BRACKET , mounting duct at stiffeners Nos. 8, and 10, 20 SWG	2	L.72	LM	LH53			
		Attachments for 10-20 WE.2909 and 10-20 WE 2911, Bracket :—							
2364	DHS.901/2 1/2 E	Bolt, 1/2" BSF	2	—	C				
2227	DHS.983/E	Nut, 1/2" BSF	2	—	C				
26DL/5611	DHS.402/E	Seal, bonded	2	—	C				
	10-20 WE 5271A	BRACKET , mounting, terminal block, at stiffener No. 1, Port, assembly	1	—	—	LH53			
4434252	10-20 WE 5269ND	BRACKET , 16 SWG	1	L.72	LM	LH53			
28M/12307	AGS.2018/B/1	NUT , anchor, 4 BA	3	—	C				
	10-20 WE 5385A	BRACKET , mounting, terminal block, at stiffener No. 1, Starboard, assembly	1	—	—	LH53			
4434252	10-20 WE 5387ND	BRACKET , 18 SWG	1	L.72	LM	LH53			
28M/12307	AGS.2018/B/1	NUT , anchor, 4 BA	1	—	C				
28M/12453	AGS.2007/B/1	NUT , anchor, 4 BA	2	—	C				
4434252		Attachments for 10-20 WE 5271A or 10-20 WE 5385A, Bracket :—							
2364	DHS.901/2 1/2 E	Bolt, 1/2" BSF	1	—	C				
2227	DHS.983/E	Nut, 1/2" BSF	1	—	C				
26DL/5611	DHS.402/E	Seal, bonded	1	—	C				
	10-20 WE 3711	BRACKET , mounting vent pipe on nose rib No. 7, post, 18 SWG	1	L.72	LM	LH53			
	10-20 WE 5227A	PLATE , earth, at rib No. 8, Port, assembly	1	—	—	LH53			
	10-20 WE 5228A	PLATE , earth, at rib No. 8, Starboard, assembly	1	—	—	LH53			
		Attachments for 10-20 WE 5227A or 10-20 WE 5228A, Plate :—							
2364	DHS.901/2 1/2 E	Bolt, 1/2" BSF	3	—	C				
2227	DHS.983/E	Nut, 1/2" BSF	3	—	C				
26DL/5611	DHS.402/E	Seal, bonded	3	—	C				
	10-20 WE 3743	PLATE , reinforcing, at rib No. 5, 10 SWG	1	DTD.687	—	LH53			
		Attachments for 10-20 WE 3743, Plate :—							
3814	DHS.393/2 1/2 E	Bolt, 1/2" BSF	2	—	C				
2364	DHS.901/2 1/2 E	Bolt, 1/2" BSF	2	—	C				
2238	DHS.901/4E	Bolt, 1/2" BSF	4	—	C				
2227	DHS.983/E	Nut, 1/2" BSF	8	—	C				
26DL/5611	DHS.402/E	Seal, bonded	6	—	C				
28W/9419405	SP.15/E	Washer	4	—	C				

**MAIN PLANES
WING EXTENSION**

Ref. No.	Part No.	Description										No. off	Material Specification	Class of Store or L.M.	Place No.
		1	2	3	4	5	6	7	8	9	10				
	10-20 WE 2449A											1	L.73	—	LH53
	10-20 WE 6829A											1	L.73	—	LH53
2364	DHS.901/2½E											4	—	C	
3226	DHS.901/4G											2	—	C	
2227	DHS.983/E											4	—	C	
3190	DHS.983/G											2	—	C	
26DL/5611	DHS.402/E											4	—	C	
2259	DHS.402/G											2	—	C	
	10-20 WE 2451A											1	L.73	—	LH53
	10-20 WE 2452A											1	L.73	—	LH53
	10-20 WE 2453A											1	L.73	—	LH53
	10-20 WE 2454A											1	L.73	—	LH53
	10-20 WE 2455A											1	L.73	—	LH53
	10-20 WE 2456A											1	L.73	—	LH53
2364	DHS.901/2½E											4	—	C	
2238	DHS.901/4E											2	—	C	
2227	DHS.983/E											6	—	C	
26DL/5611	DHS.402/E											6	—	C	
	10-20 WE 2447											1	L.65	—	LH53
	10-20 WE 2448											1	L.65	—	LH53
3220	DHS.901/2½G											10	—	C	
3190	DHS.983/G											10	—	C	
2259	DHS.402/G											10	—	C	
	10-20 WE 4391A/2											1	—	—	LH54
	10-20 WE 4392A/2											1	—	—	LH54
	10-20 WE 2387											1	L.65	—	LH54
28D/9133011	A25/2C											2	—	C	
28D/1011030	A25/2E											17	—	C	
28M/1006473	A27/CT											2	—	C	
28M/555	A27/ET											17	—	C	
26DL/5456	DHS.402/C											2	—	C	
26DL/5611	DHS.402/E											17	—	C	
	10 WC 1293 11489											1	DTD.363	—	LH54
1123	DHS.201/2E											10	—	C	
26FW/1060	DHS.202/E											10	—	C	
26DL/5611	DHS.402/E											10	—	C	

MAIN PLANES
WING EXTENSION

Ref. No.	Part No.	Description	No. off	Material Specification	Class of Store or L.M.	Plate No.			
							1	2	3
	10-20 P 2967	BRACKET , clip for fuel pump drain at stiffeners Nos. 1 and 4, Port	2	L.72	LM	LH54			
	10-20 P 2968	BRACKET , clip for fuel pump drain at stiffeners Nos. 1 and 4, Starboard	2	L.72	LM	LH54			
	10-20 WE 6281A	BRACKET , mounting vent pipe at stiffener No. 2, Port, assembly	1	—	—	LH54			
	10-20 WE 6282A	BRACKET , mounting vent pipe at stiffener No. 2, Starboard, assembly	1	—	—	LH54			
	10-20 WE 6283ND	ANGLE , Port, 18 SWG	1	L.72	LM	LH54			
	10-20 WE 6284ND	ANGLE , Starboard, 18 SWG	1	L.72	LM	LH54			
28M/12421	AGS.2018/C/1	NUT , anchor, 2 BA	1	—	C				
		Attachments for 10-20 WE 6281A or 10-20 WE 6282A, Bracket :—							
1123	DHS.201/2E	Bolt, 1/2" BSF	2	—	C				
26FW/1060	DHS.202/E	Nut, 1/2" BSF	2	—	C				
26DL/5611	DHS.402/E	Seal, bonded	2	—	C				
	10-20 WE 2547	BRACKET , mounting vent pipe at stiffener No. 11, 18 SWG	1	L.72	LM	LH54			
		Attachments for 10-20 WE 2547, Bracket :—							
1123	DHS.201/2E	Bolt, 1/2" BSF	2	—	C				
26FW/1060	DHS.202/E	Nut, 1/2" BSF	2	—	C				
26DL/5611	DHS.402/E	Seal, bonded	2	—	C				
17210	10-20 P 8215	COUPLING , pipe, between stiffeners Nos. 6 and 7 (Mod. 1116)	1	—	C	LH54			
		Attachments for 10-20 P 8215, Coupling :—							
28F/9584	AGS.1148/B	Nut, 1/2" BSP	1	—	C				
28F/9130664	AGS.1149 Mk. 2	Washer, sealing	2	—	C				
	10-20 WE 3645	POST , rear, at rib No. 7, 16 SWG	1	DTD.687	—	LH54			
		Attachments for 10-20 WE 3645, Post :—							
1664	DHS.201/2 1/2 E	Bolt, 1/2" BSF	7	—	C				
1663	DHS.201/3 1/2 E	Bolt, 1/2" BSF	2	—	C				
26DV/7310	DHS.202/E	Nut, 1/2" BSF	9	—	C				
26DL/5611	DHS.402/E	Seal, bonded	9	—	C				
28VV/9419405	SP.15/E	Washer	9	—	C				
	10-20 WE 2493A	SPAR , rear, ribs Nos. 4A to 8, Port, assembly	1	—	—	LH54			
	10-20 WE 2494A	SPAR , rear, ribs Nos. 4A to 8, Starboard, assembly	1	—	—	LH54			
		Spares for :—							
	10-20 WE 2541A	BRACKET , pipe clamp between ribs Nos. 7 and 8, assembly	1	—	—	LH54			
	DHS.1059/9	BOLT , anchor, 2 BA	2	—	—				
	10-20 WE 2543ND	BRACKET , 18 SWG	1	L.72	—	LH54			
		Attachments for 10-20 WE 2541A, Bracket :—							
1664	DHS.201/2 1/2 E	Bolt, 1/2" BSF	2	—	C				
26DV/7310	DHS.202/E	Nut, 1/2" BSF	2	—	C				
26DL/5611	DHS.402/E	Seal, bonded	2	—	C				
28VV/9419405	SP.15/E	Washer	2	—	C				

MAIN PLANES
WING EXTENSION

Ref. No.	Part No.	Description	No. off										Material Specification	Class of Store or L.M.	Plate No.	
			1	2	3	4	5	6	7	8	9	10				
	10-20 WE 3625	POST, shroud rib No. 5A, Port, 16 SWG ...											1	L.73	—	LH54
	10-20 WE 3626	POST, shroud rib No. 5A, Starboard, 16 SWG											1	L.73	—	LH54
	10-20 WE 3627	POST, shroud rib No. 6, Port, 16 SWG ...											1	L.73	—	LH54
	10-20 WE 3628	POST, shroud rib No. 6, Starboard, 16 SWG											1	L.73	—	LH54
	10-20 WE 3629	POST, shroud rib No. 6A, Port, 16 SWG											1	L.73	—	LH54
	10-20 WE 3630	POST, shroud rib No. 6A, Starboard, 16 SWG											1	L.73	—	LH54
		Attachments for 10-20 WE 3625, 10-20 WE 3626, 10-20 WE 3627, 10-20 WE 3628, 10-20 WE 3629 or 10-20 WE 3630, Post: —														
	1123 DHS.201/2E	Bolt, 1/4" BSF ...											7	—	C	
	3223 DHS.901/3 1/2 G	Bolt, 3/8" BSF ...											2	—	C	
	26DV/7310 DHS.202/E	Nut, 1/2" BSF ...											7	—	C	
	26DV/7311 DHS.202/G	Nut, 3/8" BSF ...											2	—	C	
	26DL/5611 DHS.402/E	Seal, bonded ...											7	—	C	
	2259 DHS.402/G	Seal, bonded ...											2	—	C	
	28W/9419405 SP.15/E	Washer ...											7	—	C	
	28W/9419488 SP.16/G	Washer ...											2	—	C	
	10-20 WE 3591	POST, shroud rib No. 4B, Port, 16 SWG ...											1	L.73	—	LH54
	10-20 WE 3592	POST, shroud rib No. 4B, Starboard, 16 SWG											1	L.73	—	LH54
	10-20 WE 3593	POST, shroud rib No. 5, Port, 16 SWG ...											1	L.73	—	LH54
	10-20 WE 3594	POST, shroud rib No. 5, Starboard, 16 SWG											1	L.73	—	LH54
		Attachments for 10-20 WE 3591, 10-20 WE 3592, 10-20 WE 3593 or 10-20 WE 3594, Post: —														
	1663 DHS.201/3 1/2 E	Bolt, 1/2" BSF ...											7	—	C	
	26DV/7306 DHS.201/4 G	Bolt, 3/8" BSF ...											2	—	C	
	26DV/7310 DHS.202/E	Nut, 1/2" BSF ...											7	—	C	
	26DV/7311 DHS.202/G	Nut, 3/8" BSF ...											2	—	C	
	26DL/5611 DHS.402/E	Seal, bonded ...											7	—	C	
	2259 DHS.402/G	Seal, bonded ...											2	—	C	
	28W/9419487 SP.16/E	Washer ...											7	—	C	
	28W/9419476 SP.15/G	Washer ...											2	—	C	
	10-20 WE 4341A/ND	SPAR, rear, Port (Reduced assembly) ...											1	—	—	LH54
	10-20 WE 4342A/ND	SPAR, rear, Starboard (Reduced assembly) ...											1	—	—	LH54
	—	SKINS, bottom, between ribs Nos. 4A and 8, group (Drg. Nos. 10-20 WE 2291, 10-20 WE 4049, 10-20 WE 4051, 10-20 WE 5381) (Mod. 7)											1	—	—	LH31 LH32
	10-20 WE 4013	ANGLE, corner sealing at intersection of rib No. 4A and front spar, Port (For spares use 10-20 WE 5791ND)											1	—	—	LH32
	10742 10-20 WE 5971ND	ANGLE, corner sealing at intersection of rib No. 4A and front spar, Port (Spares condition)											1	—	C	
	10-20 WE 4014	ANGLE, corner sealing at intersection of rib No. 4A and front spar, Starboard (For spares use 10-20 WE 5972ND)											1	—	—	LH32
	10743 10-20 WE 5972ND	ANGLE, corner sealing at intersection of rib No. 4A and front spar, Starboard (Spares condition)											1	—	C	

MAIN PLANES
WING EXTENSION

Ref. No.	Part No.	Description	No. off										Material Specification	Class of Store or L.M.	Plate No.	
			1	2	3	4	5	6	7	8	9	10				
		Attachments for 10-20 WE 4013 or 10-20 WE 4014, Angle :-														
17560	DHS.1093/6E	Bolt, 1/2" BSF	1												C	
28D/9434867	A61/4G	Bolt, 3/8" BSF	2												C	
28D/16643	A61/5G	Bolt, 3/8" BSF	1												C	
2227	DHS.983/E	Nut, 1/2" BSF	1												C	
3190	DHS.983/G	Nut, 3/8" BSF	3												C	
2259	DHS.402/G	Seal, bonded	3												C	
2359	DHS.388/E	Washer, sealing	1												C	
2358	DHS.388/G	Washer, sealing	3												C	
4978	10-20 WE 4133	ANGLE, corner sealing at intersection of rib No. 4A and rear spar, Port	1												C	LH32
4979	10-20 WE 4134	ANGLE, corner sealing at intersection of rib No. 4A and rear spar, Starboard	1												C	LH32
		Attachments for 10-20 WE 4133 or 10-20 WE 4134, Angle :-														
101238	A25/3E	Bolt, 1/2" BSF	1												C	
28D/19570	DHS.393/4EE	Bolt, 1/2" BSF (Pre Mod. 360)	2												C	
3572	DHS.1093/4EE	Bolt, 1/2" BSF (Mod. 360)	2												C	
15580	DHS.1093/4EE	Bolt, 1/2" BSF (Mod. 360)	2												C	
28M/12931	A27/ET	Nut, 1/2" BSF	1												C	
2227	DHS.983/E	Nut, 1/2" BSF	2												C	
26DL/5611	DHS.402/E	Seal, bonded	1												C	
28VV/9419405	SP.15/E	Washer	1												C	
2359	DHS.388/E	Washer, sealing	3												C	
4962	10-20 WE 3497A	ANGLE, landing, bottom wing-fold fairing at rib No. 4A and front spar, Port, assembly	1												C	LH32
4963	10-20 WE 3498A	ANGLE, landing, bottom wing-fold fairing at rib No. 4A and front spar, Starboard, assembly	1												C	LH32
4977	10-20 WE 4251A	ANGLE, landing, bottom wing-fold fairing at rib No. 4A and rear spar, Port, assembly	1												C	LH32
4980	10-20 WE 4252A	ANGLE, landing, bottom wing-fold fairing at rib No. 4A and rear spar, Starboard, assembly	1												C	LH32
12539	10-20 P 1595A	CONNECTION, fuel, for drop tank at rib No. 5, Port, assembly (Mod. 259)	1												C	LH31
14819	10-20 P 3647A	CONNECTION, fuel, for drop tank at rib No. 5, Starboard, assembly (Mod. 2)	1												C	LH31
		Attachments for 10-20 P 1595A or 10-20 P 3647A, Connection :-														
12883	DHS.395/9E	Bolt, 1/2" BSF	2												C	
12882	DHS.395/12E	Bolt, 1/2" BSF	2												C	
4912	DHS.514/D	Nut, 1/2" BSF	4												C	
27QA/465	DOWTY SP.911A/4	Ring, sealing	1												C	LH31
27QA/469	DOWTY SP.911A/8	Ring, sealing	1												C	LH31
26DL/5611	DHS.402/E	Seal, bonded	4												C	
	10-20 WE 3045	MEMBER, diffusion, centre bottom, Port (For Spares use 10-20 WE 6165ND)	1													LH31
11419	10-20 WE 6165ND	MEMBER, diffusion, centre bottom, Port (Spares condition)	1												C	

MAIN PLANES
WING EXTENSION

Ref. No.	Part No.	Description	No. off	Material Specification	Class of Store or L.M.	Place No.			
							1	2	3
	10-20 WE 3046	MEMBER , diffusion, centre bottom, Starboard (For Spares use 10-20 WE 6166ND)	1	—	—	LH31			
11420	10-20 WE 6166ND	MEMBER , diffusion, centre bottom, Starboard (Spares condition) Attachments for 10-20 WE 3045 or 10-20 WE 3046, Member :—	1	—	C				
	3806 DHS.395/5E	Bolt, 1/2" BSF	11	—	C				
	3798 DHS.395/5 1/2 E	Bolt, 1/2" BSF	6	—	C				
	4910 DHS.395/6 1/2 E	Bolt, 1/2" BSF	9	—	C				
	3799 DHS.395/7G	Bolt, 1/2" BSF	4	—	C				
	3800 DHS.395/7 1/2 G	Bolt, 1/2" BSF	2	—	C				
	3794 DHS.395/8G	Bolt, 1/2" BSF	2	—	C				
	5167 DHS.395/8 1/2 G	Bolt, 1/2" BSF	2	—	C				
	3576 DHS.395/9G	Bolt, 1/2" BSF	2	—	C				
	3795 DHS.395/9 1/2 G	Bolt, 1/2" BSF	2	—	C				
	3573 DHS.395/10G	Bolt, 1/2" BSF	1	—	C				
	5170 DHS.393/7G	Bolt, 1/2" BSF (Pre Mod. 360)	9	—	C				
	17558 DHS.1093/7G	Bolt, 1/2" BSF (Mod. 360)	9	—	C				
	28M/12931 A27/ET	Nut, 1/2" BSF	26	—	C				
SM/1011470	28M/13326 A27/GT	Nut, 1/2" BSF	15	—	C				
	3190 DHS.983/G	Nut, 1/2" BSF	9	—	C				
	28W/9419405 SP.15/E	Washer	26	—	C				
	28W/9419476 SP.15/G	Washer	15	—	C				
	10-20 WE 3043	MEMBER , diffusion, front bottom, Port ... (For Spares use 10-20 WE 6171ND)	1	—	—	LH31			
11425	10-20 WE 6171ND	MEMBER , diffusion, front bottom, Port ... (Spares condition)	1	—	C				
	10-20 WE 3044	MEMBER , diffusion, front bottom, Starboard (For Spares use 10-20 WE 6172ND)	1	—	—	LH31			
11426	10-20 WE 6172ND	MEMBER , diffusion, front bottom, Starboard (Spares condition) Attachments for 10-20 WE 3043 or 10-20 WE 3044, Member :—	1	—	C				
	4922 DHS.393/5E	Bolt, 1/2" BSF (Pre Mod. 360)	9	—	C				
26DL/16017	DHS.1093/5E	Bolt, 1/2" BSF (Mod. 360)	9	—	—				
	4923 DHS.393/6E	Bolt, 1/2" BSF (Pre Mod. 360)	14	—	C				
	17560 DHS.1093/6E	Bolt, 1/2" BSF (Mod. 360)	14	—	—				
	3806 DHS.395/5E	Bolt, 1/2" BSF	4	—	C				
	5165 DHS.395/6G	Bolt, 1/2" BSF	20	—	C				
	5166 DHS.395/6 1/2 G	Bolt, 1/2" BSF	1	—	C				
	3799 DHS.395/7G	Bolt, 1/2" BSF	2	—	C				
	3800 DHS.395/7 1/2 G	Bolt, 1/2" BSF	1	—	C				
	3794 DHS.395/8G	Bolt, 1/2" BSF	2	—	C				
	5167 DHS.395/8 1/2 G	Bolt, 1/2" BSF	1	—	C				
	3576 DHS.395/9G	Bolt, 1/2" BSF	2	—	C				
	3573 DHS.395/10G	Bolt, 1/2" BSF	1	—	C				
	2227 DHS.983/E	Nut, 1/2" BSF	23	—	C				
	28M/12931 A27/ET	Nut, 1/2" BSF	4	—	C				
SM/1011470	28M/13326 A27/GT	Nut, 1/2" BSF	30	—	C				
	28W/9419405 SP.15/E	Washer	4	—	C				
	28W/9419476 SP.15/G	Washer	30	—	C				
	10-20 WE 1749	MEMBER , diffusion, rear bottom, Port ... (For Spares use 10-20 WE 5983ND)	1	—	—	LH31			
11433	10-20 WE 5983ND	MEMBER , diffusion, rear bottom, Port ... (Spares condition)	1	—	C				

MAIN PLANES
WING EXTENSION

Ref. No.	Part No.	Description										No. off	Material Specification	Class of Store or L.M.	Plate No.
		1	2	3	4	5	6	7	8	9	10				
11434	10-20 WE 1750	MEMBER , diffusion, rear bottom, Starboard (For spares use 10-20 WE 5984ND)										1	—	—	LH31
	10-20 WE 5984ND	MEMBER , diffusion, rear bottom, Starboard (Spares condition) Attachments for 10-20 WE 1749 or 10-20 WE 1750, Member :—										1	—	C	
	3796 DHS.395/4E	Bolt	1/2"	BSF	13	—	C	
	3780 DHS.395/4 1/2 E	Bolt	1/2"	BSF	8	—	C	
	3797 DHS.395/6E	Bolt	1/2"	BSF	9	—	C	
	5164 DHS.393/6G	Bolt	3/8"	BSF (Pre Mod. 360)	4	—	C	
	17671 DHS.1093/6G	Bolt	3/8"	BSF (Mod. 360)	4	—	C	
	5171 DHS.393/6 1/2 G	Bolt	3/8"	BSF (Pre Mod. 360)	1	—	C	
	17559 DHS.1093/6 1/2 G	Bolt	3/8"	BSF (Mod. 360)	1	—	C	
	5170 DHS.393/7G	Bolt	3/8"	BSF (Pre Mod. 360)	2	—	C	
	17558 DHS.1093/7G	Bolt	3/8"	BSF (Mod. 360)	2	—	C	
	4917 DHS.393/7 1/2 G	Bolt	3/8"	BSF (Pre Mod. 360)	1	—	C	
	17557 DHS.1093/7 1/2 G	Bolt	3/8"	BSF (Mod. 360)	1	—	C	
	5172 DHS.393/8G	Bolt	3/8"	BSF (Pre Mod. 360)	1	—	C	
	17556 DHS.1093/8G	Bolt	3/8"	BSF (Mod. 360)	1	—	C	
	3794 DHS.395/8G	Bolt	3/8"	BSF	2	—	C	
	5167 DHS.395/8 1/2 G	Bolt	3/8"	BSF	2	—	C	
	3576 DHS.395/9G	Bolt	3/8"	BSF	1	—	C	
	3795 DHS.395/9 1/2 G	Bolt	3/8"	BSF	3	—	C	
	3573 DHS.395/10G	Bolt	3/8"	BSF	1	—	C	
	28M/12931 A27/ET	Nut	1/2"	BSF	30	—	C	
	28M/1011470 A27/GT	Nut	1/2"	BSF	9	—	C	
	3190 DHS.983/G	Nut	1/2"	BSF	9	—	C	
	28W/9419405 SP.15/E	Washer	30	—	C	
	28W/9419476 SP.15/G	Washer	9	—	C	
11096	10-20 WE 2903	PICK-UP , wing-fold gear, bottom, Port ... (For spares use 10-20 WE 5991ND)										1	—	—	LH32
	10-20 WE 5991ND	PICK-UP , wing-fold gear, bottom, Port (Spares condition)										1	—	C	
11097	10-20 WE 2904	PICK-UP , wing-fold gear, bottom, Starboard (For spares use 10-20 WE 5992ND)										1	—	—	LH32
	10-20 WE 5992ND	PICK-UP , wing-fold gear, bottom, Starboard (Spares condition) Attachments for 10-20 WE 2903 or 10-20 WE 2904, Pick-up :—										1	—	C	
	3796 DHS.395/4E	Bolt	1/2"	BSF	8	—	C	
	3780 DHS.395/4 1/2 E	Bolt	1/2"	BSF	4	—	C	
	5182 DHS.395/5 1/2 G	Bolt	3/8"	BSF	4	—	C	
	3008 DHS.481/13G	Bolt	3/8"	BSF	2	—	C	
	4968 10-20 WE 4231	Bolt	3/8"	BSF	2	—	C	LH32
	2227 DHS.983/E	Nut	1/2"	BSF	14	—	C	
	3190 DHS.983/G	Nut	1/2"	BSF	4	—	C	
	28M/9435549 AGS.2021/G/2	Nut	1/2"	BSF	2	—	C	
	28M/9435550 AGS.2021/1/2	Nut	1/2"	BSF	2	—	C	
	2259 DHS.402/G	Seal, bonded	2	—	C	
	5183 DHS.402/J	Seal, bonded	2	—	C	
	2358 DHS.388/G	Washer, sealing	2	—	C	
	26FC/8947 DHS.388/J	Washer, sealing	2	—	C	

**MAIN PLANES
WING EXTENSION**

Ref. No.	Part No.	Description										No. off	Material Specification	Class of Score or L.M.	Plate No.	
		1	2	3	4	5	6	7	8	9	10					
	10-20 WE 6863A/ND												1	—	—	LH31
	10-20 WE 6864A/ND												1	—	—	LH31
	10-20 WE 6861ND												1	S.520	—	LH31
	10-20 WE 5391ND												1	DTD.687	—	LH31
	10-20 WE 5392ND												1	DTD.687	—	LH31
	10-20 WE 6645												1	DTD.298	—	LH31
	10-20 WE 6646												1	DTD.298	—	LH31
	10-20 WE 4209												1	—	—	LH31
11247	10-20 WE 6207ND												1	—	C	
	10-20 WE 4210												1	—	—	LH31
11248	10-20 WE 6208ND												1	—	C	
16847	10-20 WE 6951A												1	—	P	LH31
16848	10-20 WE 6952A												1	—	P	LH31
	10-20 WE 3041												1	L.73	—	LH31
	10-20 WC 9935												1	LFS.23	—	LH31
	10-20 WC 9937												14	LFS.23	—	LH31
	10-20 WC 9939												5	LFS.23	—	LH31
																Attachments for 10-20 WC 9935, 10-20 WC 9937 or 10-20 WC 9939. Block :—
28S/9156114	PARKER KALON Type Z												1	—	C	
	10-20 WE 3039												1	L.53	—	LH31
																Attachments for 10-20 WE 3039, Bracket :—
28D/1011030	A25/2E												2	—	C	
3806	DHS.395/5E												2	—	C	
28M/12928	A27/EP												2	—	C	
28M/12931	A27/ET												2	—	C	
28VV/9418921	SP.13/E												2	—	C	

MAIN PLANES
WING EXTENSION

Ref. No.	Part No.	Description										No. off	Material Specification	Class of Store or L.M.	Plate No.	
		1	2	3	4	5	6	7	8	9	10					
16805	10-20 P 8093A											DRAIN, water, at ribs Nos. 7 and 8, assembly (Mod. 1038)	2	—	C	LA53
14278	10-20 P 3831											CAM, insert	1	—	C	LA53
5505	10-20 P 2311											HOUSING	1	—	C	LA53
28P/9527619	SP.90/C7											PIN, split, securing spindle (SP.9/C8) ...	1	—	C	
28S/1013561	A55/B4											SCREW, grub, 4 BA	1	—	C	
	10-20 P 8477ND											SHIM, ".70 o/d, ".40 i/d x $\frac{1}{8}$ ", "Brass Attwell," LB2	1	—	LM	
16806	10-20 P 8087A											SPINDLE, assembly	1	—	C	LA53
5503	10-20 P 2321											SPRING	1	—	C	LA53
5550	DHS.395/2C											Attachments for 10-20 P 8093A, Drain :—				
28M/1006473	A27/CT											Bolt, 2 BA	4	—	C	
27QA/912	DOWTY SP.910A/3											Nut, 2 BA	4	—	C	
												Ring, sealing	4	—	C	
16846	10-20 P 8095A											DRAIN, water, at ribs Nos. 4A and 8, assembly (Mod. 1038)	2	—	C	LA53
14278	10-20 P 3831											CAM, insert	1	—	C	LA53
5501	10-20 P 2365											HOUSING	1	—	C	LA53
28P/9527619	SP.90/C7											PIN, split, securing spindle (SP.9/C8)...	1	—	C	
28S/1013561	A55/B4											SCREW, grub, 4 BA	1	—	C	
	10-20 P 8477ND											SHIM, ".70 o/d, ".40 i/d x $\frac{1}{8}$ ", "Brass Attwell," LB2	1	—	LM	
16806	10-20 P 8087A											SPINDLE, assembly	1	—	C	LA53
5503	10-20 P 2321											SPRING	1	—	C	LA53
5550	DHS.395/2C											Attachments for 10-20 P 8095A, Drain :—				
28M/1006473	A27/CT											(at rib No. 8) :—				
27QA/252	DOWTY SP.910A/23											Bolt, 2 BA	4	—	C	
												Nut, 2 BA	4	—	C	
												Ring, sealing	1	—	C	LH56
28D/1200119	A25/4C											(at rib No. 4A) :—				
												Bolt, 2 BA (aft drain)	4	—	C	
												(forward drain)	2	—	C	
11740	10-20 P 1181											Bolt (forward drain)	2	—	C	LH56
28M/10288	AGS.2001/C/1											Nut, 2 BA	4	—	C	
26DL/5456	DHS.402/C											Seal, bonded	4	—	C	LH56
28W/9419402	SP.13/C											Washer	4	—	C	
5506	10-20 P 2797A											VALVE, drain, fuel tanks Nos. 3 and 4 ...	2	—	—	LH31
26DL/2581	6 P 343											BODY, drain valve	1	—	C	LH31
28Y/	AS.403											CAP	1	—	C	LH31
26DL/2582	6 P 347											GUIDE, valve, assembly	1	—	C	LH31
28Y/13380	AS.404											RING, sealing	1	—	C	LH31
28Y/13381	AS.2579											SPRING	1	—	C	LH31
26DL/2583	6 P 345											VALVE	1	—	C	LH31
												WASHER	1	—	C	LH31
3572	DHS.393/4EE											Attachments for 10-20 P 2797A, Valve :—				
15580	DHS.1093/4EE											Bolt, $\frac{1}{2}$ " BSF (Pre Mod. 360)	8	—	C	
2227	DHS.983/E											Bolt, $\frac{1}{2}$ " BSF (Mod. 360)	8	—	C	
3642	10 N 915											Nut, $\frac{1}{2}$ " BSF	8	—	C	
												Ring, sealing	1	—	C	LH31
28D/9133011	A25/2C											Attachments for 10-20 WE 6951A or 10-20 WE 6952A, Skin :—				
28D/9133012	A25/3C											Bolt, 2 BA	1	—	C	
2242	DHS.363/3 $\frac{1}{2}$ E											Bolt, 2 BA	1	—	C	
3229	DHS.363/3G											Bolt, $\frac{1}{2}$ " BSF (Pre Mod. 360)	1	—	C	
3413	DHS.365/3 $\frac{1}{2}$ E											Bolt, $\frac{3}{8}$ " BSF (Pre Mod. 360)	24	—	C	
26DL/7812	DHS.365/4E											Bolt, $\frac{1}{2}$ " BSF	54	—	C	
												Bolt, $\frac{1}{2}$ " BSF	4	—	C	

MAIN PLANES
WING EXTENSION

Ref. No.	Part No.	Description										No. off	Material Specification	Class of Score or L.M.	Plate No.		
		1	2	3	4	5	6	7	8	9	10						
1793	DHS.365/5E													2	—	C	
3414	DHS.365/5½E													2	—	C	
1794	DHS.365/6E													17	—	C	
3810	DHS.365/7E													1	—	C	
5422	DHS.365/7½E													6	—	C	
1795	DHS.365/8E													2	—	C	
3578	DHS.365/9E													3	—	C	
3249	DHS.365/10E													2	—	C	
5173	DHS.365/11E													2	—	C	
5215	DHS.365/12½E													1	—	C	
4400	DHS.365/3G													45	—	C	
5280	DHS.365/3½G													17	—	C	
3234	DHS.365/4½G													7	—	C	
26FC/11711	DHS.365/6G													1	—	C	
2244	DHS.365/6½G													5	—	C	
5177	DHS.365/7G													2	—	C	
5949	DHS.365/7GG													9	—	C	
5174	DHS.365/8G													2	—	C	
2254	DHS.365/9G													1	—	C	
5175	DHS.365/10G													4	—	C	
3232	DHS.365/11G													1	—	C	
3233	DHS.365/14G													1	—	C	
5178	DHS.365/16½G													1	—	C	
3568	DHS.393/3E													49	—	C	
3773	DHS.393/3½E													4	—	C	
2361	DHS.393/3½EE													16	—	C	
2225	DHS.393/5EE													1	—	C	
4923	DHS.393/6E													3	—	C	
4357	DHS.395/3E													27	—	C	
3802	DHS.395/3½E													11	—	C	
4913	DHS.395/3½EE													6	—	C	
3796	DHS.395/4E													11	—	C	
4358	DHS.395/4EE													11	—	C	
4909	DHS.395/4½EE													27	—	C	
4359	DHS.395/5EE													9	—	C	
4352	DHS.395/5½EE													16	—	C	
4346	DHS.395/6½EE													2	—	C	
4914	DHS.395/7½EE													2	—	C	
4915	DHS.395/8EE													3	—	C	
4916	DHS.395/8½EE													1	—	C	
5166	DHS.395/6½G													21	—	C	
5179	DHS.492/8½G													6	—	C	
4567	DHS.492/12G													1	—	C	
2202	DHS.492/13G													3	—	C	
3012	DHS.492/15G													2	—	C	
15549	DHS.1063/3½E													13	—	C	
	DHS.1063/3G													24	—	C	
15548	DHS.1093/3E													49	—	C	
15579	DHS.1093/3EE													2	—	C	
15574	DHS.1093/3½E													4	—	C	
13824	DHS.1093/3½EE													8	—	C	
17560	DHS.1093/6E													3	—	C	
17557	DHS.1093/7½G													9	—	C	
17565	DHS.1093/8½G													3	—	C	

MAIN PLANES
WING EXTENSION

Ref. No.	Part No.	Description	No. off	Material Specification	Class of Store or L.M.	Place No.			
							1	2	3
28M/13825	A24/GC	Nut, 1/8" BSF	4	—	C				
28M/9403520	A27/CP	Nut, 2 BA	2	—	C				
28M/1007403	A27/ET	Nut, 1/2" BSF	182	—	C				
28M/1011470	A27/FGT	Nut, 5/16" BSF	90	—	C				
28M/14877	A58/GT	Nut, 5/16" BSF	2	—	C				
28M/10283	AGS.2001/G/3	Nut, 5/16" BSF	1	—	C				
2227	DHS.983/E	Nut, 1/2" BSF	123	—	C				
3190	DHS.983/G	Nut, 5/16" BSF	79	—	C				
28P/9527619	SP.90/C7	Pfn. split (SP.9/CB)	8	—	C				
26DL/5611	DHS.402/E	Seal, bonded	27	—	C				
11279	DHS.781/16/18	Washer	2	—	C				
28W/9419405	SP.15/E	Washer	173	—	C				
28W/9419455	SP.10/G	Washer	3	—	C				
28W/9419476	SP.15/G	Washer	69	—	C				
28W/9419488	SP.16/G	Washer	10	—	C				
	10-20 WC 17879	Washer, special	1	L.64	LM	LH32			
	10-20 WC 17887	Washer, special	1	L.64	LM	LH32			
	10-20 WC 17925	Washer, special	3	L.64	LM	LH32			
	10-20 WC 17929	Washer, special	2	L.64	LM	LH32			
4955	10-20 WC 21633	Washer, special, Port	1	—	C	LH32			
4956	10-20 WC 21634	Washer, special, Starboard	1	—	C	LH32			
4950	10-20 WE 4587	Washer, special, Port	1	—	C	LH32			
4951	10-20 WE 4588	Washer, special, Starboard	1	—	C	LH32			
4957	10-20 WE 4589	Washer, special, Port	1	—	C	LH32			
4985	10-20 WE 4590	Washer, special, Starboard	1	—	C	LH32			
	10-20 WE 4595	Washer, special	1	L.64	LM	LH32			
	10-20 WE 4599	Washer, special	1	L.64	LM	LH32			
	10-20 WE 4603	Washer, special	1	L.64	LM	LH32			
	10-20 WE 4609	Washer, special	1	L.64	LM	LH32			
4953	10-20 WE 5141	Washer, special, Port	1	—	C	LH32			
4854	10-20 WE 5142	Washer, special, Starboard	1	—	C	LH32			
4958	10-20 WE 5143	Washer, special, Port	1	—	C	LH32			
4959	10-20 WE 5144	Washer, special, Starboard	1	—	C	LH32			
11696	10-20 WE 5233	Washer, special	2	—	C	LH32			
	10-20 WE 5517	Washer, special	1	L.64	—	LH32			
2359	DHS.388/E	Washer, sealing	3	—	C				
	10-20 WE 4157	STRIP, seal retaining, centre bottom latch, aft, Port	1	DTD.298	—	LH32			
	10-20 WE 4158	STRIP, seal retaining, centre bottom latch, aft, Starboard	1	DTD.298	—	LH32			
		Attachments for 10-20 WE 4157 or 10-20 WE 4158, Strip:—							
3572	DHS.393/4EE	Bolt, 1/2" BSF (Pre Mod. 360)	3	—	C				
15580	DHS.1093/4EE	Bolt, 1/2" BSF (Mod. 360)	3	—	C				
2227	DHS.983/E	Nut, 1/2" BSF	3	—	C				
2359	DHS.388/E	Washer, sealing	3	—	C				
	10-20 WE 4147	STRIP, seal retaining, centre bottom latch, forward, Port	1	DTD.298	—	LH32			
	10-20 WE 4148	STRIP, seal retaining, centre bottom latch, forward, Starboard	1	DTD.298	—	LH32			
		Attachments for 10-20 WE 4147 or 10-20 WE 4148, Strip:—							
3572	DHS.393/4EE	Bolt, 1/2" BSF (Pre Mod. 360)	4	—	C				
15580	DHS.1093/4EE	Bolt, 1/2" BSF (Mod. 360)	4	—	C				
2227	DHS.983/E	Nut, 1/2" BSF	4	—	C				
2359	DHS.388/E	Washer, sealing	4	—	C				

MAIN PLANES
WING EXTENSION

Ref. No.	Part No.	Description	No. aft	Material Specification	Class of Score or L.M.	Plate No.			
							1	2	3
	10-20 WE 4075	STRIP , seal retaining, at rib No. 4A and centre bottom latch, Port	1	DTD.298	—	LH32			
	10-20 WE 4076	STRIP , seal retaining, at rib No. 4A and centre bottom latch, Starboard	1	DTD.298	—	LH32			
		Attachments for 10-20 WE 4075 or 10-20 WE 4076, Strip :—							
28D/1011238	A25/3E	Bolt, 1/2" BSF	7	—	C				
28M/1007403	A27/ET	Nut, 1/2" BSF	7	—	C				
26DL/5611	DHS.402/E	Seal, bonded	7	—	C				
28W/9419405	SP.15/E	Washer	7	—	C				
2359	DHS.388/E	Washer, sealing	7	—	C				
	10-20 WE 4021	STRIP , seal retaining, at rib No. 4A and centre bottom latch, aft, Port	1	DTD.424	—	LH32			
	10-20 WE 4022	STRIP , seal retaining, at rib No. 4A and centre bottom latch, aft, Starboard	1	DTD.424	—	LH32			
		Attachments for 10-20 WE 4021 or 10-20 WE 4022, Strip :—							
3572	DHS.393/4EE	Bolt, 1/2" BSF (Pre Mod. 360)	2	—	C				
15580	DHS.1093/4EE	Bolt, 1/2" BSF (Mod. 360)	2	—	C				
2227	DHS.983/E	Nut, 1/2" BSF	2	—	C				
2359	DHS.388/E	Washer, sealing	2	—	C				
	10-20 WE 4123	STRIP , seal retaining, at rib No. 4A, and centre bottom latch, forward, Port (For spares use 10-20 WE 6969ND)	1	DTD.424	—	LH32			
17436	10-20 WE 6969ND	STRIP , seal retaining at rib No. 4A and centre bottom latch forward, Port (Spares condition)	1	—	C				
	10-20 WE 4124	STRIP , seal, retaining, at rib No. 4A and centre bottom latch, forward, Starboard (For spares use 10-20 WE 6970ND)	1	DTD.424	—	LH32			
17537	10-20 WE 6970ND	STRIP , seal retaining, at rib No. 4A and centre bottom latch, forward, Starboard (Spares condition)	1	—	C				
		Attachments for 10-20 WE 4123 or 10-20 WE 4124, Strip :—							
3572	DHS.393/4EE	Bolt, 1/2" BSF (Pre Mod. 360)	2	—	C				
15580	DHS.1093/4EE	Bolt, 1/2" BSF (Mod. 360)	2	—	C				
2227	DHS.983/E	Nut, 1/2" BSF	2	—	C				
2359	DHS.388/E	Washer, sealing	2	—	C				
	10-20 WE 4153	STRIP , seal retaining, front bottom latch, aft, Port	1	DTD.298	—	LH32			
	10-20 WE 4154	STRIP , seal retaining, front bottom latch, aft, Starboard	1	DTD.298	—	LH32			
		Attachments for 10-20 WE 4153 or 10-20 WE 4154, Strip :—							
3572	DHS.393/4EE	Bolt, 1/2" BSF (Pre Mod. 360)	3	—	C				
15580	DHS.1093/4EE	Bolt, 1/2" BSF (Mod. 360)	3	—	C				
2227	DHS.983/E	Nut, 1/2" BSF	3	—	C				
2359	DHS.388/E	Washer, sealing	3	—	C				

**MAIN PLANES
WING EXTENSION**

Ref. No.	Part No.	Description	No. off	Material Specification	Class of Store or L.M.	Plate No.			
							1	2	3
	10-20 WE 4151	STRIP , seal retaining, front bottom latch, forward, Port	1	DTD.298	—	LH32			
	10-20 WE 4152	STRIP , seal retaining, front bottom latch, forward, Starboard	1	DTD.298	—	LH32			
		Attachments for 10-20 WE 4151 or 10-20 WE 4152, Strip :—							
3572	DHS.393/4EE	Bolt, 1/2" BSF (Pre Mod. 360)	4	—	C				
15580	DHS.1093/4EE	Bolt, 1/2" BSF (Mod. 360)	4	—	C				
2227	DHS.983/E	Nut, 1/2" BSF	4	—	C				
2359	DHS.388/E	Washer, sealing	4	—	C				
	10-20 WE 4069	STRIP , seal retaining, at rib No. 4A and front bottom latch, Port	1	DTD.298	—	LH32			
	10-20 WE 4070	STRIP , seal retaining, at rib No. 4A and front bottom latch, Starboard	1	DTD.298	—	LH32			
		Attachments for 10-20 WE 4069 or 10-20 WE 4070, Strip :—							
28D/1011238	A25/3E	Bolt, 1/2" BSF	7	—	C				
28M/12931	A27/ET	Nut, 1/2" BSF	7	—	C				
26DL/5611	DHS.402/E	Seal, bonded	7	—	C				
28W/9419405	SP.15/E	Washer	7	—	C				
2359	DHS.388/E	Washer, sealing	7	—	C				
	10-20 WE 4019	STRIP , seal retaining at rib No. 4A and front bottom latch, Port	1	DTD.424	—	LH32			
	10-20 WE 4020	STRIP , seal retaining at rib No. 4A and front bottom latch, Starboard	1	DTD.424	—	LH32			
		Attachments for 10-20 WE 4019 or 10-20 WE 4020, Strips :—							
3572	DHS.393/4EE	Bolt, 1/2" BSF (Pre Mod. 360)	2	—	C				
15580	DHS.1093/4EE	Bolt, 1/2" BSF (Mod. 360)	2	—	C				
2227	DHS.983/E	Nut, 1/2" BSF	2	—	C				
2359	DHS.388/E	Washer, sealing	2	—	C				
	10-20 WE 4159	STRIP , seal retaining at rib No. 4A and front spar, Port	1	DTD.424	—	LH32			
	10-20 WE 4160	STRIP , seal retaining at rib No. 4A and front spar, Starboard	1	DTD.424	—	LH32			
		Attachments for 10-20 WE 4159 or 10-20 WE 4160, Strip :—							
4923	DHS.393/6E	Bolt, 1/2" BSF (Pre Mod. 360)	2	—	C				
	DHS.1093/6E	Bolt, 1/2" BSF (Mod. 360)	2	—	—				
2227	DHS.983/E	Nut, 1/2" BSF	2	—	C				
2359	DHS.388/E	Washer, sealing	2	—	C				
	10-20 WE 4163	STRIP , seal retaining, rear bottom latch, aft, Port	1	DTD.298	—	LH32			
	10-20 WE 4164	STRIP , seal retaining, rear bottom latch, aft, Starboard	1	DTD.298	—	LH32			
		Attachments for 10-20 WE 4163 or 10-20 WE 4164, Strip :—							
3572	DHS.393/4EE	Bolt, 1/2" BSF (Pre Mod. 360)	3	—	C				
15580	DHS.1093/4EE	Bolt, 1/2" BSF (Mod. 360)	3	—	C				
2227	DHS.983/E	Nut, 1/2" BSF	3	—	C				
2359	DHS.388/E	Washer, sealing	3	—	C				

MAIN PLANES
WING EXTENSION

Ref. No.	Part No.	Description	No. off	Material Specification	Class of Store or L.M.	Plate No.			
							1	2	3
	10-20 WE 6645	STRIP , seal retaining, rear bottom latch, forward, Port	1	DTD.298	—	LH32			
	10-20 WE 6646	STRIP , seal retaining, rear bottom latch, forward, Starboard	1	DTD.298	—	LH32			
	Attachments for 10-20 WE 6645 or 10-20 WE 6646, Strip:—								
3572	DHS.393/4EE	Bolt, 1/2" BSF (Pre Mod. 360)	4	—	C				
15580	DHS.1093/4EE	Bolt, 1/2" BSF (Mod. 360)	4	—	C				
2227	DHS.983/E	Nut, 1/2" BSF	4	—	C				
2359	DHS.388/E	Washer, sealing	4	—	C				
	10-20 WE 4065	STRIP , seal retaining at rib No. 4A and rear bottom latch, Port	1	DTD.298	—	LH32			
	10-20 WE 4066	STRIP , seal retaining at rib No. 4A and rear bottom latch, Starboard	1	DTD.298	—	LH32			
	Attachments for 10-20 WE 4065 or 10-20 WE 4066, Strip:—								
28D/1011238	A25/3E	Bolt, 1/2" BSF	3	—	C				
	A25/3 1/2 E	Bolt, 1/2" BSF	2	—	C				
28M/12931	A27/ET	Nut, lock, 3/8" BSF	5	—	C				
26DL/5611	DHS.402/E	Seal, bonded	5	—	C				
28W/9419405	SP.15/E	Washer	5	—	C				
2359	DHS.388/E	Washer, sealing	5	—	C				
	10-20 WE 4033	STRIP , seal retaining at rib No. 4A and rear bottom latch, aft, Port	1	DTD.424	—	LH32			
	10-20 WE 4034	STRIP , seal retaining at rib No. 4A and rear bottom latch, aft, Starboard	1	DTD.424	—	LH32			
	Attachments for 10-20 WE 4033 or 10-20 WE 4034, Strip:—								
3572	DHS.393/4EE	Bolt, 1/2" BSF (Pre Mod. 360)	2	—	C				
15580	DHS.1093/4EE	Bolt, 1/2" BSF (Mod. 360)	2	—	C				
2227	DHS.983/E	Nut, 1/2" BSF	2	—	C				
2359	DHS.388/E	Washer, sealing	2	—	C				
	10-20 WC 10773	STRIP , seal retaining, at rib No. 4A and rear bottom latch, forward, Port	1	L.53	—	LH32			
	10-20 WC 10774	STRIP , seal retaining, at rib No. 4A and rear bottom latch, forward, Starboard	1	L.53	—	LH32			
	Attachments for 10-20 WC 10773 or 10-20 WC 10774, Strip:—								
3572	DHS.393/4EE	Bolt, 1/2" BSF (Pre Mod. 360)	2	—	C				
15580	DHS.1093/4EE	Bolt, 1/2" BSF (Mod. 360)	2	—	C				
2227	DHS.983/E	Nut, 1/2" BSF	2	—	C				
2359	DHS.388/E	Washer, sealing	2	—	C				
	—	SKINS , top, ribs Nos. 4A to 8, group (Drg. Nos. 10-20 WE 5369, 10-20 WE 2293 (Pre Mod. 287), 10-20 WE 6565 (Mod. 287), 10-20 WE 6563A, 10-20 WE 6564A)	1	—	—	LH33 LH34			
	10-20 WE 4011	ANGLE , corner sealing at rib No. 4A and front spar, Port (For Spares use 10-20 WE 5969ND)	1	—	—	LH34			
10744	10-20 WE 5969ND	ANGLE , corner sealing at rib No. 4A and front spar, Port (Spares condition)	1	—	C				

MAIN PLANES
WING EXTENSION

Ref. No.	Part No.	Description	No. off	Material Specification	Class of Store or L.M.	Place No.			
							1	2	3
	10-20 WE 4012	ANGLE , corner sealing at rib No. 4A and front spar, Starboard (For Spares use 10-20 WE 5970ND)	1	—	—	LH34			
10745	10-20 WE 5970ND	ANGLE , corner sealing at rib No. 4A and front spar, Starboard (Spares condition)	1	—	C				
		Attachments fro 10-20 WE 4011 or 10-20 WE 4012, Angle :—							
4923	DHS.393/6E	Bolt, 1/2" BSF	1	—	C				
28D/9434867	A61/4G	Bolt, 3/8" BSF	2	—	C				
28D/16643	A61/5G	Bolt, 3/8" BSF	1	—	C				
2227	DHS.983/E	Nut, 1/2" BSF	1	—	C				
3190	DHS.983/G	Nut, 3/8" BSF	3	—	C				
2259	DHS.402/G	Seal, bonded	3	—	C				
2358	DHS.388/G	Washer, sealing	3	—	C				
	10-20 WE 4237	BRACKET , wing-fold fairing at front hinge, Port (For Spares use 10-20 WE 5823ND)	1	—	—	LH34			
10719	10-20 WE 5823ND	BRACKET , wing-fold fairing at front hinge, Port (Spares condition)	1	—	C				
	10-20 WE 4238	BRACKET , wing-fold fairing at front hinge, Starboard (For Spares use 10-20 WE 5824ND)	1	—	—	LH34			
10720	10-20 WE 5824ND	BRACKET , wing-fold fairing at front hinge, Starboard (Spares condition)	1	—	C				
		Attachments for 10-20 WE 4237 or 10-20 WE 4238, Bracket :—							
5186	DHS.365/14E	Bolt, 1/2" BSF	1	—	C				
4393	DHS.365/15E	Bolt, 1/2" BSF	1	—	C				
28M/12931	A27/ET	Nut, 1/2" BSF	2	—	C				
	10-20 WE 2525	CAP , end, stringers Nos. 10, 11, 12 and 13, No. 4 tank vent connections at rib No. 8, Port (For Spares use 10-20 WE 5795ND) (Pre Mod. 287)	4	—	—	LH33			
10706	10-20 WE 5795ND	CAP , end, stringers Nos. 10, 11, 12 and 13, No. 4 tank vent connections at rib No. 8, Port (Spares condition) (Pre Mod. 287)	4	—	C				
	10-20 WE 2526	CAP , end, stringers Nos. 10, 11, 12 and 13, No. 4 tank vent connections at rib No. 8, Starboard (For Spares use 10-20 WE 5796ND) (Pre Mod. 287)	4	—	—	LH33			
10707	10-20 WE 5796ND	CAP , end, stringers Nos. 10, 11, 12 and 13, No. 4 tank vent connections at rib No. 8, Starboard (Spares condition) (Pre Mod. 287)	4	—	C				
		Attachments for 10-20 WE 2525 or 10-20 WE 2526, Cap :—							
3809	DHS.393/4 1/2 E	Bolt, 1/2" BSF (Pre Mod. 360)	3	—	C				
15576	DHS.1093/4 1/2 E	Bolt, 1/2" BSF (Post Mod. 360)	3	—	C				
4923	DHS.393/6E	Bolt, 1/2" BSF (Pre Mod. 360)	3	—	C				
17560	DHS.1093/6E	Bolt, 1/2" BSF (Post Mod. 360)	3	—	C				
5164	DHS.393/6G	Bolt, 3/8" BSF (Pre Mod. 360)	2	—	C				
26DL/16038	DHS.1093/6G	Bolt, 3/8" BSF (Post Mod. 360)	2	—	C				
2227	DHS.983/E	Nut, 1/2" BSF	6	—	C				
3190	DHS.983/G	Nut, 3/8" BSF	2	—	C				

MAIN PLANES
WING EXTENSION

Ref. No.	Part No.	Description	No. off	Material Specification	Class of Score or L.M.	Plate No.			
							1	2	3
26DL/5611	DHS.402/E 10-20 WC 9945	Seal, bonded	3	—	C				
		Strip, sealing (Make from standard section J.823)	1	—	—	LH33			
2359	DHS.388/E 10-20 WE 2529	Washer, sealing	3	—	C				
		CAP , end, stringers Nos. 9, 10, 11 and 12, No. 4 tank vent connections at rib No. 4A, Port (For Spares use 10-20 WE 5797ND) (Pre Mod. 287)	4	—	—	LH33			
10715	10-20 WE 5797ND	CAP , end, stringers Nos. 9, 10, 11 and 12, No. 4 tank vent connections at rib No. 4A, Port (Spares condition) (Pre Mod. 287)	4	—	C				
	10-20 WE 2530	CAP , end, stringers Nos. 9, 10, 11 and 12, No. 4 tank vent connections at rib No. 4A, Starboard (For Spares use 10-20 WE 5798ND) (Pre Mod. 287)	4	—	—	LH33			
10716	10-20 WE 5798ND	CAP , end, stringers Nos. 9, 10, 11 and 12, No. 4 tank vent connections at rib No. 4A, Starboard (Spares condition) (Pre Mod. 287)	4	—	C				
		Attachments for 10-20 WE 2529 or 10-20 WE 2530, Cap:—							
2225	DHS.393/SEE	Bolt, 1/2" BSF (Pre Mod. 360)	7	—	C				
26DL/76018	DHS.1093/SEE	Bolt, 1/2" BSF (Post Mod. 360)	7	—	C				
2227	DHS.983/E	Nut, 1/2" BSF	7	—	C				
26DL/5611	DHS.402/E 10-20 WC 9945	Seal, bonded	3	—	C				
2359	DHS.388/E 10-20 WE 2529	Strip, sealing (Make from standard section J.823)	1	—	—	LH33			
		Washer, sealing	3	—	C				
	10-20 WE 2529	CAP , end, stringer No. 13, No. 4 tank vent connection at rib No. 4A, Port (For Spares use 10-20 WE 5797ND) (Pre Mod. 287)	1	—	—	LH33			
10715	10-20 WE 5797ND	CAP , end, stringer No. 13, No. 4 tank vent connection at rib No. 4A, Port (Spares condition) (Pre Mod. 287)	1	—	C				
	10-20 WE 2530	CAP , end, stringer No. 13, No. 4 tank vent connection at rib No. 4A, Starboard (For Spares use 10-20 WE 5798ND) (Pre Mod. 287)	1	—	—	LH33			
10716	10-20 WE 5798ND	CAP , end, stringer No. 13, No. 4 tank vent connection at rib No. 4A, Starboard (Spares condition) (Pre Mod. 287)	1	—	C				
		Attachments for 10-20 WE 2529 or 10-20 WE 2530, Cap:—							
2225	DHS.393/SEE	Bolt, 1/2" BSF (Pre Mod. 360)	7	—	C				
26DL/16018	DHS.1093/SEE	Bolt, 1/2" BSF (Mod. 360)	7	—	—				
2227	DHS.983/E 10-20 WC 9945	Nut, 1/2" BSF	7	—	C				
		Strip, sealing (Make from standard section J.823)	1	—	—	LH33			
	DHS.31/59	CLIP , tubular, vent connections at stringers Nos. 9, 10, 11, 12 and 13	5	—	—				
		Attachments for DHS.31/59, Clip:—							
28DL/12528	A25/1B	Bolt, 4 BA	1	—	C				
28W/9419465	A27/BP	Nut, 4 BA	1	—	C				
	SP.13/B	Washer	1	—	C				

MAIN PLANES
WING EXTENSION

Ref. No.	Part No.	Description										No. of	Material Specification	Class of Store or L.M.	Plate No.
		1	2	3	4	5	6	7	8	9	10				
	10-20 WE 4441A/ND	MEMBER , diffusion, complete with strut attachment lug, centre top, Port										1	—	—	LH33
	10-20 WE 4442A/ND	MEMBER , diffusion, complete with strut attachment lug, centre top, Starboard										1	—	—	LH33
5012	10-20 WE 4435	LUG , strut attachment, Port										1	L.65	C	LH33
5013	10-20 WE 4436	LUG , strut attachment, Starboard										1	L.65	C	LH33
		Attachments for 10-20 WE 4435 or 10-20 WE 4436, Lug :—													
28D/— 28M/13375 1006939	A59/36G A27/GP	Bolt, 1/8" BSF										1	—	C	
		Nut, 1/8" BSF										1	—	C	
	10-20 WE 2999	MEMBER , diffusion, Port (For Spares use 10-20 WE 6163ND)										1	—	—	LH33
11415	10-20 WE 6163ND	MEMBER , diffusion, Port (Spares condition)										1	—	C	
	10-20 WE 3000	MEMBER , diffusion, Starboard (For Spares use 10-20 WE 6164ND)										1	—	—	LH33
11416	10-20 WE 6164ND	MEMBER , diffusion, Starboard (Spares condition)										1	—	C	
		Attachments for 10-20 WE 4441A/ND or 10-20 WE 4442A/ND, Member :—													
3796	DHS.395/4E	Bolt, 1/4" BSF										12	—	C	
3798	DHS.395/5 1/2 E	Bolt, 1/4" BSF										10	—	C	
4910	DHS.395/6 1/2 E	Bolt, 1/4" BSF										10	—	C	
5171	DHS.393/6 1/2 G	Bolt, 3/16" BSF (Pre Mod. 360)										9	—	C	
17559	DHS.1093/6 1/2 G	Bolt, 3/16" BSF (Mod. 360)										9	—	C	
5170	DHS.393/7G	Bolt, 3/16" BSF (Pre Mod. 360)										1	—	C	
17558	DHS.1093/7G	Bolt, 3/16" BSF (Mod. 360)										1	—	C	
3800	DHS.395/7 1/2 G	Bolt, 3/16" BSF										2	—	C	
3576	DHS.395/9G	Bolt, 3/16" BSF										2	—	C	
3573	DHS.395/10G	Bolt, 3/16" BSF										4	—	C	
2227	DHS.983/E	Nut, 1/4" BSF										32	—	C	
3190	DHS.983/G	Nut, 3/16" BSF										10	—	C	
28M/10114 28W/9419476	A27/GT SP.15/G	Nut, 3/16" BSF										8	—	C	
		Washer										8	—	C	
	10-20 WE 4397A/ND	MEMBER , diffusion, complete with strut Attachment lug forward, top, Port										1	—	—	LH33
	10-20 WE 4398A/ND	MEMBER , diffusion, complete with strut attachment lug, forward top, Starboard										1	—	—	LH33
5016	10-20 WE 4395	LUG , strut attachment										1	L.65	C	LH33
		Attachments for 10-20 WE 4395, Lug :—													
28D/— 28M/13375 1006939	A59/40G A27/GP	Bolt, 3/16" BSF										1	—	C	
		Nut, 3/16" BSF										1	—	C	
	10-20 WE 2997	MEMBER , diffusion, Port (For Spares use 10-20 WE 5993ND)										1	—	—	LH33
11431	10-20 WE 5993ND	MEMBER , diffusion, Port (Spares condition)										1	—	C	
	10-20 WE 2998	MEMBER , diffusion, Starboard (For Spares use 10-20 WE 5994ND)										1	—	—	LH33
11432	10-20 WE 5994ND	MEMBER , diffusion, Starboard (Spares condition)										1	—	C	

RESTRICTED
MAIN PLANES
WING EXTENSION

Ref. No.	Part No.	Description										No. off	Material Specification	Class of Store or L.M.	Place No.		
		1	2	3	4	5	6	7	8	9	10						
		Attachments for 10-20 WE 4397A/ND or 10-20 WE 4398A/ND, Member :-															
	3802	DHS.395/3½E												4	—	C	
	3773	DHS.393/3½E												7	—	C	
	15574	DHS.1093/3½E												7	—	C	
	3809	DHS.393/4½E												11	—	C	
	15576	DHS.1093/4½E												11	—	C	
	3806	DHS.395/5E												22	—	C	
	3798	DHS.395/5½E												8	—	C	
	5914	DHS.393/3½G												2	—	C	
	17562	DHS.1093/3½G												2	—	C	
	5166	DHS.395/6½G												14	—	C	
	3800	DHS.395/7½G												6	—	C	
	3576	DHS.395/9G												8	—	C	
	3573	DHS.395/10G												1	—	C	
	28M/12931	A27/ET												34	—	C	
	2227	DHS.983/E												18	—	C	
	28M/1011470 28M/13326	A27/GT												15	—	C	
	3190	DHS.983/G												16	—	C	
	28W/9419405	SP.15/E												34	—	C	
	28W/9419476	SP.15/G												15	—	C	
		10-20 WE 4443A/ND												1	—	—	LH33
		10-20 WE 4444A/ND												1	—	—	LH33
	5008	10-20 WE 4437												1	L.65	C	LH33
	5009	10-20 WE 4438												1	L.65	C	LH33
														Attachments for 10-20 WE 4437 or 10-20 WE 4438, Lug :-			
	28D/—	A59/36G												1	—	—	
	28M/13379	A27/GP												1	—	C	
	1006A34																
		10-20 WE 1821												1	—	—	LH33
	11429	10-20 WE 6209ND												1	—	C	
		10-20 WE 1822												1	—	—	LH33
	11430	10-20 WE 6210ND												1	—	C	
														Attachments for 10-20 WE 4443A/ND or 10-20 WE 4444A/ND, Member :-			
	3796	DHS.395/4E												9	—	C	
	3797	DHS.395/6E												23	—	C	
	5164	DHS.393/6G												5	—	C	
	26DL/16039	DHS.1093/6G												5	—	C	
	4917	DHS.393/7½G												4	—	C	
	17557	DHS.1093/7½G												4	—	C	
	3800	DHS.395/7½G												5	—	C	
	3573	DHS.395/10G												2	—	C	
	5192	DHS.395/12G												1	—	C	
	2227	DHS.983/E												32	—	C	
	3190	DHS.983/G												9	—	C	
	28M/1011470 28M/13326	A27/GT												8	—	C	
	28W/9419476	SP.15/G												8	—	C	

MAIN PLANES
WING EXTENSION

Ref. No.	Part No.	Description										No. off	Material Specification	Class of Store or L.M.	Plate No.	
		1	2	3	4	5	6	7	8	9	10					
11323	10-20 WE 5519	MEMBER , edge, wing-fold fairing at front spar, Port										1	L.72	C	LH34	
11324	10-20 WE 5520	MEMBER , edge, wing-fold fairing at front spar, Starboard										1	L.72	C	LH34	
	—	PLATE , anchor nut, leading edge attachment, between ribs Nos. 4A and 4B, at front spar joint, group (Mod. 827)										1	—	—		
28M/9435560	AGS.2007/E/1	NUT , anchor, 1/4" BSF										7	—	C		
18791	10-20 WE 10567	PLATE , anchor nut, L.H.										1	L.72	C	LH33	
18792	10-20 WE 10568	PLATE , anchor nut, R.H.										1	L.72	C	LH33	
	10-20 WE 5371ND	PLATE , reinforcing top skin at rib No. 5, Port, 8 SWG										1	DTD.687	—	LH33	
	10-20 WE 5372ND	PLATE , reinforcing top skin at rib No. 5, Starboard, 8 SWG										1	DTD.687	—	LH33	
Attachments for 10-20 WE 5371ND or 10-20 WE 5372ND, Plate :—																
4356	DHS.395/3EE	Bolt, 1/4" BSF										1	—	C		
4358	DHS.395/4EE	Bolt, 1/4" BSF										16	—	C		
4909	DHS.395/43EE	Bolt, 1/4" BSF										19	—	C		
3806	DHS.395/5E	Bolt, 1/4" BSF										6	—	C		
4359	DHS.395/5EE	Bolt, 1/4" BSF										12	—	C		
3798	DHS.395/51/2EE	Bolt, 1/4" BSF										6	—	C		
4352	DHS.395/51/2EE	Bolt, 1/4" BSF										1	—	C		
3797	DHS.395/6E	Bolt, 1/4" BSF										1	—	C		
4910	DHS.395/61/2E	Bolt, 1/4" BSF										2	—	C		
3781	DHS.395/7E	Bolt, 1/4" BSF										1	—	C		
4911	DHS.395/8E	Bolt, 1/4" BSF										1	—	C		
3794	DHS.395/8G	Bolt, 7/16" BSF										2	—	C		
3795	DHS.395/91/2G	Bolt, 7/16" BSF										4	—	C		
28M/12928	A27/EP	Nut, 1/4" BSF										18	—	C		
28M/12931	A27/ET	Nut, 1/4" BSF										48	—	C		
28M/13375	A27/GP	Nut, 7/16" BSF										6	—	C		
28W/9419405	SP.15/E	Washer										60	—	C		
28W/9419487	SP.16/E	Washer										6	—	C		
28W/9419476	SP.15/G	Washer										6	—	C		
	10-20 WE 6653ND	SEAL , rubber, at front spar and rib No. 5 ... (Make from standard section J.575)										1	—	—	LH33	
5507	10-20 WE 4377A	SKIN , top, complete with stringers ribs Nos. 4A to 8, Port, assembly (Pre Mod. 287)										1	—	C	LH33	
13821	10-20 WE 6563A	SKIN , top, complete with stringers, ribs Nos. 4A to 8, Port, assembly (Mod. 287)										1	—	C	LH33	
5508	10-20 WE 4378A	SKIN , top, complete with stringers, ribs Nos. 4A to 8, Starboard, assembly (Pre Mod. 287)										1	—	C	LH33	
13822	10-20 WE 6564A	SKIN , top, complete with stringers ribs Nos. 4A to 8, Starboard, assembly (Mod. 287)										1	—	C	LH33	
	10-20 WE 2523	Spares for :—														
	10-20 WE 2523	CAP , end, vent connection at outboard end of stringer No. 9, Port (For Spares use 10-20 WE 5793ND) (Pre Mod. 287)										1	—	—	LH33	
10704	10-20 WE 5793ND	CAP , end, vent connection at outboard end of stringer No. 9, Port (Spares condition) (Pre Mod. 287)										1	—	C		

MAIN PLANES
WING EXTENSION

Ref. No.	Part No.	Description	No. off										Material Specification	Class of Store or L.M.	Plate No.		
			1	2	3	4	5	6	7	8	9	10					
	10-20 WE 6187	CAP, end, vent connection at outboard end of stringer No. 9, Port (For Spares use 10-20 WE 6789ND) (Mod. 287)												1	—	—	LH33
15236	10-20 WE 6789ND	CAP, end, vent connection at outboard end of stringer No. 9, Port (Spares condition) (Mod. 287)												1	—	C	
	10-20 WE 2524	CAP, end, vent connection at outboard end of stringer No. 9, Starboard (For Spares use 10-20 WE 5794ND) (Pre Mod. 287)												1	—	—	LH33
10705	10-20 WE 5794ND	CAP, end, vent connection at outboard end of stringer No. 9, Starboard (Spares condition) (Pre Mod. 287)												1	—	C	LH33
	10-20 WE 6188	CAP, end, vent connection at outboard end of stringer No. 9, Starboard (For Spares use 10-20 WE 6790ND) (Mod. 287)												1	—	—	LH33
15237	10-20 WE 6790ND	CAP, end, vent connection at outboard end of stringer No. 9, Starboard (Spares condition) (Mod. 287)												1	—	C	LH33
		Attachments for 10-20 WE 2523, 10-20 WE 6187, 10-20 WE 2524 or 10-20 WE 6188, Cap:—															
2361	DHS.393/3½EE	Bolt, ½" BSF (Pre Mod. 360, Pre Mod. 287)												3	—	C	
13824	DHS.1093/3½EE	Bolt, ½" BSF (Mod. 360, Pre Mod. 287) ...												3	—	C	
2362	DHS.393/4½EE	Bolt, ½" BSF (Pre Mod. 360, Mod. 287) ...												3	—	C	
13823	DHS.1093/4½EE	Bolt, ½" BSF (Mod. 360, Mod. 287) ...												3	—	C	
2224	DHS.393/5½EE	Bolt, ½" BSF (Pre Mod. 350) ...												3	—	C	
	DHS.1093/5½EE	Bolt, ½" BSF (Mod. 360) ...												3	—	—	
2357	DHS.393/5½GG	Bolt, ½" BSF (Pre Mod. 360) ...												2	—	C	
	DHS.1093/5½GG	Bolt, ½" BSF (Mod. 360) ...												2	—	—	
26DV/7310	DHS.202/E	Nut, ½" BSF (Pre Mod. 360) ...												6	—	C	
2227	DHS.983/E	Nut, ½" BSF (Mod. 360) ...												6	—	C	
26DV/7311	DHS.202/G	Nut, ½" BSF (Pre Mod. 360) ...												2	—	C	
3190	DHS.983/G	Nut, ½" BSF (Mod. 360) ...												2	—	C	
	10-20 WC 9945	Strip, sealing (Make from standard section J.823, Ref. No. 26FY/5423) (Pre Mod. 287)												1	—	—	LH33
	HESTON AIRCRAFT J59/M41	CAP, filler, fuel tank Nos. 3 and 4 ...												2	—	—	LH33
	HESTON AIRCRAFT J59/M45	BASE ...												1	—	C	LH33
6407	AS.—	CABLE, retaining ...												1	—	LM	LH33
	HESTON AIRCRAFT J59/M47	CAP, filler, sub-assembly ...												1	—	—	LH33
	AS.2595	LEVER ...												1	—	—	LH33
	AS.2594	LEVER, locking ...												1	—	—	LH33
6387	AS.3375	PIN ...												1	—	C	LH33
	AS.3037	PIN, axis ...												1	—	—	LH33
6388	AS.3371	SPRING ...												1	—	C	LH33

MAIN PLANES
WING EXTENSION

Ref. No.	Part No.	Description	No. off	Material Specification	Class of Store or L.M.	Place No.			
							1	2	3
28J/14562	AS.3394	LINK	1	—	C	LH33			
	HESTON AIRCRAFT J59/M49	PIN, cable retaining	1	DTD.423B	—	LH33			
6385	AS.5364	RING, sealing	1	—	C	LH33			
	HESTON AIRCRAFT J59/M11	RING, skin sealing	1	—	C	LH33			
6406	AS.6322	SOCKET, bonding	1	—	C	LH33			
6386		Attachments for J59/M41, Cap —							
28D/1007975	AS.1242/1C	Bolt, 2 BA	12	—	C				
	HESTON AIRCRAFT J59/M63	CAP, filler, fuel tank Nos. 3 and 4 (Alternative to Heston Aircraft J59/M41 Cap)	2	—	—	LH33			
		Attachments for 10-20 WE 4377A, 10-20 WE 6563A, 10-20 WE 4378A or 10-20 WE 6564A, Skin —							
28D/9133011	A25/2C	Bolt, 2 BA	1	—	C				
28D/9133012	A25/3C	Bolt, 2 BA	1	—	C				
2242	DHS.363/3½E	Bolt, ½" BSF (Pre Mod. 360)	38	—	C				
3413	DHS.365/3½E	Bolt, ½" BSF	51	—	C				
26DV/5897	DHS.365/4E	Bolt, ½" BSF	7	—	C				
1793	DHS.365/5E	Bolt, ½" BSF	4	—	C				
3590	DHS.365/5½EE	Bolt, ½" BSF	12	—	C				
1794	DHS.365/6E	Bolt, ½" BSF	3	—	C				
3592	DHS.365/6½E	Bolt, ½" BSF	5	—	C				
9385	DHS.365/7½EE	Bolt, ½" BSF	4	—	C				
1795	DHS.365/8E	Bolt, ½" BSF	2	—	C				
5184	DHS.365/8½E	Bolt, ½" BSF	6	—	C				
3578	DHS.365/9E	Bolt, ½" BSF	3	—	C				
15505	DHS.365/9½EE	Bolt, ½" BSF	4	—	C				
4151	DHS.365/12E	Bolt, ½" BSF	3	—	C				
5215	DHS.365/12½E	Bolt, ½" BSF	1	—	C				
5185	DHS.365/14E	Bolt, ½" BSF	1	—	C				
4374	DHS.365/14½E	Bolt, ½" BSF	1	—	C				
4904	DHS.365/3GG	Bolt, ½" BSF	31	—	C				
5280	DHS.365/3½G	Bolt, ½" BSF (Pre Mod. 827)	16	—	C				
5280	DHS.365/3½G	Bolt, ½" BSF (Mod. 827)	11	—	C				
4361	DHS.365/3½GG	Bolt, ½" BSF	5	—	C				
3192	DHS.365/4G	Bolt, ½" BSF	1	—	C				
3234	DHS.365/4½G	Bolt, ½" BSF (Pre Mod. 827)	7	—	C				
3234	DHS.365/4½G	Bolt, ½" BSF (Mod. 827)	3	—	C				
	DHS.365/5½G	Bolt, ½" BSF (Mod. 827)	9	—	C				
5177	DHS.365/7G	Bolt, ½" BSF	35	—	C				
2254	DHS.365/9G	Bolt, ½" BSF	5	—	C				
5175	DHS.365/10G	Bolt, ½" BSF	1	—	C				
5190	DHS.365/11½G	Bolt, ½" BSF	1	—	C				
5187	DHS.365/12G	Bolt, ½" BSF	1	—	C				
5188	DHS.365/14½G	Bolt, ½" BSF	2	—	C				
3568	DHS.393/3E	Bolt, ½" BSF (Pre Mod. 360)	41	—	C				
4355	DHS.393/3EE	Bolt, ½" BSF	2	—	C				
2361	DHS.393/3½EE	Bolt, ½" BSF	15	—	C				
4357	DHS.395/3E	Bolt, ½" BSF	28	—	C				
3796	DHS.395/4E	Bolt, ½" BSF	11	—	C				
2203	DHS.492/14G	Bolt, ½" BSF	1	—	C				
3016	DHS.492/14½G	Bolt, ½" BSF	1	—	C				

MAIN PLANES
WING EXTENSION

Ref. No.	Part No.	Description										No. off	Material Specification	Class of Store or L.M.	Plate No.	
		1	2	3	4	5	6	7	8	9	10					
3015	DHS.492/17G	Bolt	1/2"	BSF									1	—	C	
5191	DHS.492/20G	Bolt	3/8"	BSF									1	—	C	
15549	DHS.1063/3/E	Bolt	1/2"	BSF									13	—	C	
	DHS.1063/3GG	Bolt	1/2"	BSF									33	—	—	
15548	DHS.1093/3E	Bolt	1/2"	BSF (Mod. 360)									41	—	C	
13824	DHS.1093/3/EE	Bolt	1/2"	BSF									27	—	C	
28M/13825	A24/GC	Nut	1/2"	BSF									1	—	C	
28M/12931	A27/ET	Nut, lock	1/2"	BSF									94	—	C	
28M/1006939	A27_GP	Nut	1/2"	BSF									3	—	C	
28M/1011470	A27/GT	Nut	1/2"	BSF									14	—	C	
28M/14877	A58/GT	Nut	1/2"	BSF									2	—	C	
3238	DHS.983/C	Nut	2 BA										2	—	C	
2227	DHS.983/E	Nut	1/2"	BSF									126	—	C	
3190	DHS.983/G	Nut	1/2"	BSF									104	—	C	
28P/1007741	SP.9/C8	Pin, split											3	—	C	
	10-20 WE 5169	Plate, packing, Port											1	L.64	LM	LH34
	10-20 WE 5170	Plate, packing, Starboard											1	L.64	LM	LH34
	10-20 WE 5175	Plate, packing, Port											1	L.64	LM	LH34
	10-20 WE 5176	Plate, packing, Starboard											1	L.64	LM	LH34
26DL/5611	DHS.402/E	Seal, bonded											17	—	C	
28W/9419455	SP.10/G	Washer											3	—	C	
28W/9419405	SP.15/E	Washer											64	—	C	
28W/9419476	SP.15/G	Washer											5	—	C	
	10-20 WC 17887	Washer, special											2	L.64	LM	LH34
	10-20 WC 17889	Washer, special											4	L.64	LM	LH34
	10-20 WC 17929	Washer, special											2	L.64	LM	LH34
	10-20 WC 17931	Washer, special											1	L.64	LM	LH34
13795	10-20 WC 21635	Washer, special, Port											1	—	C	LH34
13796	10-20 WC 21636	Washer, special, Starboard											1	—	C	LH34
4990	10-20 WE 4217	Washer, special, Port											1	—	C	LH34
4991	10-20 WE 4218	Washer, special, Starboard											1	—	C	LH34
4994	10-20 WE 4583	Washer, special, Port											1	—	C	LH34
4995	10-20 WE 4584	Washer, special, Starboard											1	—	C	LH34
4983	10-20 WE 4585	Washer, special, Port											1	—	C	LH34
4984	10-20 WE 4586	Washer, special, Starboard											1	—	C	LH34
4985	10-20 WE 4591	Washer, special, Port											1	—	C	LH34
4986	10-20 WE 4592	Washer, special, Starboard											1	—	C	LH34
	10-20 WE 4601	Washer, special											1	L.64	LM	LH34
	10-20 WE 4607	Washer, special											4	L.64	LM	LH34
5577	10-20 WE 5137	Washer, special											1	—	C	LH34
4992	10-20 WE 5145	Washer, special, Port											1	—	C	LH34
4993	10-20 WE 5146	Washer, special, Starboard											1	—	C	LH34
	10-20 WE 2665A	STIFFENER, stringer No. 2, between ribs Nos. 4A and 6, Port (For spares use 10-20 WE 6173A/ND)											1	—	—	LH33
11215	10-20 WE 6173A/ND	STIFFENER, stringer No. 2, between ribs Nos. 4A and 6, Port (Spares condition)											1	—	C	
	10-20 WE 2666A	STIFFENER, stringer No. 2, between ribs Nos. 4A and 6, Starboard (For spares use 10-20 WE 6174A/ND)											1	—	—	LH33
11216	10-20 WE 6174A/ND	STIFFENER, stringer No. 2, between ribs Nos. 4A and Starboard (Spares condition)											1	—	C	

MAIN PLANES
WING EXTENSION

Ref. No.	Part No.	Description	No. off	Material Specification	Class of Store or L.M.	Plate No.			
							1	2	3
		Attachments for 10-20 WE 2665A or 10-20 WE 2666A, Stiffener :—							
3814	DHS.393/2½E	Bolt, ½" BSF (Pre Mod. 360)	19	—	C				
26DL/16015	DHS.1093/2½E	Bolt, ½" BSF (Mod. 360)	19	—	C				
3568	DHS.393/3E	Bolt, ½" BSF (Pre Mod. 360)	12	—	C				
26DL/16016	DHS.1093/3E	Bolt, ½" BSF (Mod. 360)	12	—	C				
26DV/7302	DHS.201/3E	Bolt, ½" BSF (Pre Mod. 360)	3	—	C				
15006	DHS.1001/3E	Bolt, ½" BSF (Mod. 360)	3	—	C				
2227	DHS.983/E	Nut, ½" BSF	31	—	C				
28W/9435791	AS.1903/EB	Washer, saddle	3	—	C				
12890	10-20 WE 5339	STRAP, joint over front spar at rib No. 5, Port (Mod. 7)	1	DTD.687	C	LH33			
12891	10-20 WE 5340	STRAP, joint over front spar at rib No. 5, Starboard (Mod. 7)	1	DTD.687	C	LH33			
		Attachments for 10-20 WE 5339, or 10-20 WE 5340, Strap :—							
2205	DHS.365/5½G	Bolt, ¾" BSF	8	—	C				
28W/9419476	A27/GT	Nut, ¾" BSF	8	—	C				
	SP.15/G	Washer	8	—	C				
	10-20 WE 4211	STRAP, top boom at rib No. 4A, Port (For Spares use 10-20 WE 6081ND)	1	—	—	LH34			
11260	10-20 WE 6081ND	STRAP, top boom at rib No. 4A, Port (Spares condition)	1	—	C				
	10-20 WE 4212	STRAP, top boom at rib No. 4A, Starboard (For Spares use 10-20 WE 6082ND)	1	—	—	LH34			
11261	10-20 WE 6082ND	STRAP, top boom at rib No. 4A, Starboard (Spares condition)	1	—	C				
	10-20 WE 4113	STRIP, seal retaining at front hinge, aft, Port	1	DTD.298	—	LH34			
	10-20 WE 4114	STRIP, seal retaining at front hinge, aft, Starboard	1	DTD.298	—	LH34			
		Attachments for 10-20 WE 4113 or 10-20 WE 4114, Strip :—							
3572	DHS.393/4EE	Bolt, ½" BSF	4	—	C				
2227	DHS.983/E	Nut, ½" BSF	4	—	C				
2359	DHS.388/E	Washer, sealing	4	—	C				
	10-20 WE 4109	STRIP, seal retaining at front hinge, forward, Port	1	DTD.424	—	LH34			
	10-20 WE 4110	STRIP, seal retaining at front hinge, forward, Starboard	1	DTD.424	—	LH34			
		Attachments for 10-20 WE 4109 or 10-20 WE 4110, Strip :—							
3572	DHS.393/4EE	Bolt, ½" BSF	5	—	C				
2227	DHS.983/E	Nut, ½" BSF	5	—	C				
2359	DHS.388/E	Washer, sealing	5	—	C				
	10-20 WE 4111	STRIP, seal retaining, at front latch, aft, Port	1	DTD.298	—	LH34			
	10-20 WE 4112	STRIP, seal retaining, at front latch, aft, Starboard	1	DTD.298	—	LH34			
		Attachments for 10-20 WE 4111 or 10-20 WE 4112, Strip :—							
3572	DHS.393/4EE	Bolt, ½" BSF	3	—	C				
2227	DHS.983/E	Nut, ½" BSF	3	—	C				
2359	DHS.388/E	Washer, sealing	3	—	C				

RESTRICTED
MAIN PLANES
WING EXTENSION

Ref. No.	Part No.	Description	No. off	Material Specification	Class of Store or L.M.	Plate No.			
							1	2	3
	10-20 WE 4107	STRIP , seal retaining at front latch, forward, Port	1	DTD.429	—	LH34			
	10-20 WE 4108	STRIP , seal retaining at front latch, forward, Starboard	1	DTD.429	—	LH34			
		Attachments for 10-20 WE 4107 or 10-20 WE 4108, Strip:—							
3572	DHS.393/4EE	Bolt, 1/2" BSF	5	—	C				
2227	DHS.983/E	Nut, 1/2" BSF	5	—	C				
2359	DHS.388/E	Washer, sealing	5	—	C				
	10-20 WE 4085	STRIP , seal retaining at front spar and rib No. 5, Port	1	DTD.424	—	LH33			
	10-20 WE 4086	STRIP , seal retaining at front spar and rib No. 5, Starboard	1	DTD.424	—	LH33			
		Attachments for 10-20 WE 4085 or 10-20 WE 4086, Strip:—							
2360	DHS.393/4E	Bolt, 1/2" BSF (Pre Mod. 360)	5	—	C				
15575	DHS.1093/4E	Bolt, 1/2" BSF (Mod. 360)	5	—	C				
2227	DHS.983/E	Nut, 1/2" BSF	5	—	C				
	10-20 WE 6653ND	Seal, rubber, 10" 0 long (Make from Ref. No. 26FY/7963)	1		LM	LH33 #63			
2359	DHS.388/E	Washer, sealing	5	—	C				
	10-20 WE 4127	STRIP , seal, retaining at rear hinge, aft, Port (For spares use 10-20 WE 6971ND)	1	DTD.424	—	LH34			
17538	10-20 WE 6971ND	STRIP , seal retaining, at rear hinge, aft, Port (Spares condition)	1	DTD.424	C				
	10-20 WE 4128	STRIP , seal retaining, at rear hinge, aft, Starboard (For spares use 10-20 WE 6972ND)	1	DTD.424	—	LH34			
17539	10-20 WE 6972ND	STRIP , seal retaining, at rear hinge, aft, Starboard (Spares condition)	1	DTD.424	C				
		Attachments for 10-20 WE 4127 or 10-20 WE 4128, Strip:—							
3572	DHS.393/4EE	Bolt, 1/2" BSF (Pre Mod. 360)	4	—	C				
15580	DHS.1093/4EE	Bolt, 1/2" BSF (Mod. 360)	4	—	C				
2227	DHS.983/E	Nut, 1/2" BSF	4	—	C				
2359	DHS.388/E	Washer, sealing	4	—	C				
	10-20 WE 4129	STRIP , seal retaining, at rear hinge, forward, Port (For spares use 10-20 WE 6975ND)	1	DTD.424	—	LH34			
17540	10-20 WE 6975ND	STRIP , seal retaining, at rear hinge, forward, Port (Spares condition)	1	DTD.424	C				
	10-20 WE 4130	STRIP , seal retaining, at rear hinge, forward, Starboard (For spares use 10-20 WE 6976ND)	1	DTD.424	—	LH34			
17541	10-20 WE 6976ND	STRIP , seal retaining at rear hinge, forward, Starboard (Spares condition)	1	DTD.424	C				
		Attachments for 10-20 WE 4129 or 10-20 WE 4130, Strip:—							
3572	DHS.393/4EE	Bolt, 1/2" BSF (Pre Mod. 360)	4	—	C				
15580	DHS.1093/4EE	Bolt, 1/2" BSF (Mod. 360)	4	—	C				
2227	DHS.983/E	Nut, 1/2" BSF	4	—	C				
2359	DHS.388/E	Washer, sealing	4	—	C				

MAIN PLANES
WING EXTENSION

Ref. No.	Part No.	Description	No. off	Material Specification	Class of Store or L.M.	Place No.			
							1	2	3
	10-20 WE 4017	STRIP, seal retaining at rib No. 4A and front hinge, aft, Port	1	DTD.424	—	LH34			
	10-20 WE 4018	STRIP, seal retaining at rib No. 4A and front hinge, aft, Starboard	1	DTD.424	—	LH34			
	10-20 WE 4123	STRIP, seal retaining, at rib No. 4A and front hinge, forward, Port (For spares use 10-20 WE 6969ND)	1	DTD.424	—	LH34			
17536	10-20 WE 6969ND	STRIP, seal retaining, at rib No. 4A and front hinge, forward, Port (Spares condition)	1	DTD.424	C				
	10-20 WE 4124	STRIP, seal retaining, at rib No. 4A and front hinge, forward, Starboard (For spares use 10-20 WE 6970ND)	1	DTD.424	—	LH34			
17537	10-20 WE 6970ND	STRIP, seal retaining, at rib No. 4A and front hinge, forward, Starboard (Spares condition)	1	DTD.424	C				
	Attachments for 10-20 WE 4017, 10-20 WE 4018, 10-20 WE 4123 or 10-20 WE 4124, Strip:—								
3572	DHS.393/4EE	Bolt, 1/2" BSF	2	—	C				
2227	DHS.983/E	Nut, 1/2" BSF	2	—	C				
2359	DHS.388/E	Washer, sealing	2	—	C				
	10-20 WE 4073	STRIP, seal retaining at rib No. 4A and front hinge, Port	1	DTD.298	—	LH34			
	10-20 WE 4074	STRIP, seal retaining at rib No. 4A and front hinge, Starboard	1	DTD.298	—	LH34			
	10-20 WE 4071	STRIP, seal retaining, at rib No. 4A and front latch, Port	1	DTD.298	—	LH34			
	10-20 WE 4072	STRIP, seal retaining at rib No. 4A and front latch, Starboard	1	DTD.298	—	LH34			
	Attachments for 10-20 WE 4073, 10-20 WE 4074, 10-20 WE 4071 or 10-20 WE 4072, Strip:—								
28D/1011030	A25/2E	Bolt, 1/2" BSF	7	—	C				
28M/12931	A27/ET	Nut, 1/2" BSF	7	—	C				
26DL/5611	DHS.402/E	Seal, bonded	7	—	C				
28VV/9419405	SP.15/E	Washer	7	—	C				
2359	DHS.388/E	Washer, sealing	7	—	C				
	10-20 WE 4019	STRIP, seal retaining at rib No. 4A and front latch, aft, Port	1	DTD.424	—	LH34			
	10-20 WE 4020	STRIP, seal retaining at rib No. 4A and front latch, aft, Starboard	1	DTD.424	—	LH34			
	10-20 WE 4031	STRIP, seal retaining at rib No. 4A and front spar, Port	1	DTD.424	—	LH34			
	10-20 WE 4032	STRIP, seal retaining at rib No. 4A and front spar, Starboard	1	DTD.424	—	LH34			
	Attachments for 10-20 WE 4019, 10-20 WE 4020, 10-20 WE 4031 or 10-20 WE 4032, Strip:—								
3572	DHS.393/4EE	Bolt, 1/2" BSF	2	—	C				
2227	DHS.983/E	Nut, 1/2" BSF	2	—	C				
2359	DHS.388/E	Washer, sealing	2	—	C				

MAIN PLANES
WING EXTENSION

Ref. No.	Part No.	Description										No. off	Material Specification	Class of Store or L.M.	Place No.		
		1	2	3	4	5	6	7	8	9	10						
	10-20 WE 4029													1	DTD.424	—	LH34
17532	10-20 WE 6977ND													1	DTD.424	C	
	10-20 WE 4030													1	DTD.424	—	LH34
17533	10-20 WE 6978ND													1	DTD.424	C	
	10-20 WE 4123													1	DTD.424	—	LH34
17536	10-20 WE 6969ND													1	DTD.424	C	
	10-20 WE 4124													1	DTD.424	—	LH34
17537	10-20 WE 6970ND													1	DTD.424	C	
3572	DHS.393/4EE													2	—	C	
15580	DHS.1093/4EE													2	—	C	
2227	DHS.983/E													2	—	C	
2359	DHS.388/E													2	—	C	
	10-20 WE 4067													1	DTD.424	—	LH34
17534	10-20 WE 6973ND													1	DTD.424	C	
	10-20 WE 4068													1	DTD.424	—	LH34
17535	10-20 WE 6974ND													1	DTD.424	C	
28D/1011238	A25/3E													3	—	C	
28D/1008151	A25/4E													2	—	C	
28M/12931	A27/ET													5	—	C	
26DL/5611	DHS.402/E													5	—	C	
28W/9419405	SP.15/E													5	—	C	
2359	DHS.388/E													5	—	C	

**MAIN PLANES
WING EXTENSION**

Ref. No.	Part No.	Description										No. off	Material Specification	Class of Store or L.M.	Plate No.	
		1	2	3	4	5	6	7	8	9	10					
4978	10-20 WE 4133											STRIP , seal retaining at rib No. 4A and rear spar, Port	1	—	C	LH34
4979	10-20 WE 4134											STRIP , seal retaining at rib No. 4A and rear spar, Starboard	1	—	C	LH34
												Attachments for 10-20 WE 4133 or 10-20 WE 4134, Strip :—				
3572	DHS.393/4EE											Bolt, 1" BSF (Pre Mod. 360)	2	—	C	
15580	DHS.1093/4EE											Bolt, 1" BSF (Mod. 360)	2	—	C	
2227	DHS.983/E											Nut, 1" BSF	2	—	C	
2359	DHS.388/E											Washer, sealing	2	—	C	
	—											STRIPS , packing, group (Drg. No. 10-20 WE 4119)	1	—	—	LH16
	10-20 WE 6443ND											SEAL , rubber (Make from standard section J.1065, Ref. No. 26FY/6636) (Drg. Nos. 10-20 WE 5535 (Port) and 10-20 WE 5536 (Starboard))	1	—	—	LH16
	10-20 WE 3767ND											STRIP , packing, bottom, aft, at nose rib No. 4A, 10 SWG	1	L.72	LM	LH16
	10-20 WE 3765ND											STRIP , packing, bottom forward, at nose rib No. 4A, 10 SWG	1	L.72	LM	LH16
	10-20 WE 3769ND											STRIP , packing, top aft, at nose rib No. 4A, 10 SWG	1	L.72	LM	LH16
	10-20 WE 5223ND											STRIP , packing, top forward, at nose rib No. 4A, 10 SWG	1	L.72	LM	LH16
	10-20 WE 3757ND											STRIP , sealing, bottom aft at nose rib No. 4A Port (Make from standard section J.2191, Ref. No. 26FY/10775)	1	—	LM	LH16
	10-20 WE 3758ND											STRIP , sealing, bottom aft, at nose rib No. 4A, Starboard (Make from standard section J.2191, Ref. No. 26FY/10775)	1	—	LM	LH16
	10-20 WE 6557A											STRIP , sealing, bottom forward, at nose rib No. 4A, Port, assembly	1	—	—	LH16
	10-20 WE 6558A											STRIP , sealing, bottom forward, at nose rib No. 4A, Starboard, assembly	1	—	—	LH16
	10-20 WE 6561ND											SEAL , rubber (Make from section DHS.373/7, Ref. No. 26FY/7216)	1	—	LM	LH16
	10-20 WE 3749ND											STRIP , sealing, top aft, at nose rib No. 4A, Port, 20 SWG	1	L.72	LM	LH16
	10-20 WE 3750ND											STRIP , sealing, top aft, at nose rib No. 4A, Starboard, 20 SWG	1	L.72	LM	LH16
	10-20 WE 3771ND											STRIP , sealing, top forward, at nose rib No. 4A, Port (Make from standard section J.2191, Ref. No. 26FY/10775)	1	—	LM	LH16
	10-20 WE 3772ND											STRIP , sealing, top forward, at nose rib No. 4A, Starboard (Make from standard section J.2191, Ref. No. 26FY/10775)	1	—	LM	LH16
	10-20 WE 5349A/1											STRUCTURE , wing extension, ribs Nos. 8 to 13, Port, assembly	1	—	—	LH35
	10-20 WE 5350A/2											STRUCTURE , wing extension, ribs Nos. 8 to 13, Starboard, assembly (Pre Mod. 499)	1	—	—	LH35
	10-20 WE 5350A/3											STRUCTURE , wing extension, ribs Nos. 8 to 13, Starboard, assembly (Mod. 499) Spares for :—	1	—	—	LH35

MAIN PLANES
WING EXTENSION

Ref. No.	Part No.	Description										No. off	Material Specification	Class of Score or L.M.	Plate No.
		1	2	3	4	5	6	7	8	9	10				
	10-20 WE 3231A	GUARD, upper, aileron hose, at booster mounting, between ribs Nos. 9 and 10, Port, assembly										1	—	—	LH36
	10-20 WE 3232A	GUARD, upper, aileron hose, at booster mounting, between ribs Nos. 9 and 10, Starboard, assembly Spares for :—										1	—	—	LH36
	10-20 WE 5213A	TUBE, guard, assembly										1	—	—	
	10-20 WE 3225ND	BRACKET, attachment, forward, 18 SWG										1	L.59	LM	LH36
	10-20 WE 5215ND	BRACKET, attachment, aft, 18 SWG										1	L.59	LM	LH36
	10-20 WE 5217ND	TUBE, forward, 1/2" o/d x 20 SWG										1	L.56	LM	LH36
	10-20 WE 5219ND	TUBE, aft, 1/2" o/d x 20 SWG										1	L.56	LM	LH36
	10-20 WE 6663A	RIB, No. 9, wing extension, Port, assembly										1	—	—	LH35
	10-20 WE 5637A	RIB, No. 9, wing extension, Starboard, assembly (Pre Mod. 499)										1	—	—	LH35
	10-20 WE 5637A/1	RIB, No. 9, wing extension, Starboard, assembly (Mod. 499) Spares for :—										1	—	—	LH35
12812	10-20 CF 8855	ANCHORAGE, actuator, aileron trim, at forward end of rib No. 9, Starboard Attachments for 10-20 CF 8855, Anchorage :—										1	—	C	LH36
28D/9133012	A25/3C	Bolt, 2 BA										6	—	C	
28M/9403520	A27/CP	Nut, 2 BA										6	—	C	
28W/9419404	SP.16/C	Washer										6	—	C	
	10-20 WE 1449ND	ANGLE, attachment, rib No. 9 to front spar, Port, 18 SWG										1	L.73	—	LH36
	10-20 WE 1450ND	ANGLE, attachment, rib No. 9 to front spar, Starboard, 18 SWG										1	L.73	—	LH36
	10-20 WE 465ND	BOOM, rib, top, Port										1	DTD.423	—	LH36
	10-20 WE 466ND	BOOM, rib, top, Starboard										1	DTD.423	—	LH36
	10-20 WE 1199ND	BOOM, rib, bottom, Port										1	DTD.423	—	LH36
	10-20 WE 1200ND	BOOM, rib, bottom, Starboard										1	DTD.423	—	LH36
	10-20 S 5263	BRACKET, attachment, adjacent to access cover, aft, 18 SWG										1	L.72	LM	LH36
	10-20 S 5003A	BRACKET, attachment at reinforcing plate, assembly										1	—	—	LH36
	10-20 S 5001ND	BRACKET, bare, 18 SWG										1	L.72	LM	LH36
	10-20 N 227	BRACKET, 'P' clip, adjacent to access cover, forward, Port, 20 SWG										1	L.72	LM	LH36
	10-20 N 228	BRACKET, 'P' clip, adjacent to access cover, Starboard, 20 SWG										1	L.72	LM	LH36
	10-20 WE 1297	CHANNEL, stiffening, between centre stiffener and reinforcing plate, 18 SWG										2	L.72	—	LH35
	10-20 WE 2087ND	COVER, access, between stringers Nos. 6 and 7, 24 SWG Attachments for 10-20 WE 2087ND, Cover :—										1	L.72	—	LH36
28D/9436920	A25/1C	Bolt, 2 BA										3	—	C	
	10-20 WE 6667ND	PLATE, reinforcing, at access cover, Port, 20 SWG										1	L.73	—	LH36
	10-20 WE 1448ND	PLATE, reinforcing, at access cover, Starboard, 20 SWG										1	L.73	—	LH36
	10-20 WE 1437ND	STIFFENER, forward, Port, 18 SWG										1	L.72	LM	LH36
	10-20 WE 1438ND	STIFFENER, forward, Starboard, 18 SWG										1	L.72	LM	LH36

**MAIN PLANES
WING EXTENSION**

Ref. No.	Part No.	Description	No. off	Material Specification	Class of Store or L.M.	Plate No.			
							1	2	3
	10-20 WE 1439ND	STIFFENER , intermediate, forward, Port, 18 SWG	1	L.72	LM	LH36			
	10-20 WE 1440ND	STIFFENER , intermediate, forward, Starboard, 18 SWG	1	L.72	LM	LH36			
	10-20 WE 1441ND	STIFFENER , centre, Port, 18 SWG...	1	L.72	LM	LH36			
	10-20 WE 1442ND	STIFFENER , centre, Starboard, 18 SWG	1	L.72	LM	LH36			
	10-20 WE 1443ND	STIFFENER , intermediate, aft, Port, 18 SWG	1	L.72	LM	LH36			
	10-20 WE 1444ND	STIFFENER , intermediate, aft, Starboard, 18 SWG	1	L.72	LM	LH36			
	10-20 WE 1445ND	STIFFENER , aft, Port, 18 SWG ...	1	L.72	LM	LH36			
	10-20 WE 1446ND	STIFFENER , aft, Starboard, 18 SWG ...	1	L.72	LM	LH36			
		Attachments for 10-20 WE 1437ND, 10-20 WE 1438ND, 10-20 WE 1439ND, 10-20 WE 1440ND, 10-20 WE 1441ND, 10-20 WE 1442ND, 10-20 WE 1443ND, 10-20 WE 1444ND, 10-20 WE 1445ND or 10-20 WE 1446ND, Stiffener:—							
28D/13461	AS.3297/2C	Bolt, 2 BA	2	—	C				
28M/1006473	A27/CT	Nut, 2 BA	2	—	C				
28W/9419404	SP.16/C	Washer	2	—	C				
	10-20 WE 6665ND	WEB , rib, Port, 20 SWG ...	1	DTD.746	—	LH35			
	10-20 WE 1202ND	WEB , rib, Starboard, 20 SWG ...	1	DTD.746	—	LH35			
	10-20 WE 2519A	RIB , No. 10 wing extension, Port, assembly ...	1	—	—	LH35 LH43			
	10-20 WE 2520A	RIB , No. 10, wing extension, Starboard, assembly	1	—	—	LH35 LH43			
		Spares for:—							
	10-20 WE 2535ND	ANGLE , attachment, rib No. 10, to front spar, Port, 18 SWG	1	L.73	—	LH43			
	10-20 WE 2536ND	ANGLE , attachment, rib No. 10, to front spar, Starboard, 18 SWG	1	L.73	—	LH43			
	10-20 WE 195ND	ANGLE , attachment, rib No. 10, to rear spar, 18 SWG	1	L.73	—	LH43			
	10-20 WE 197ND	BOOM , rib, top, Port ...	1	DTD.423	—	LH43			
	10-20 WE 198ND	BOOM , rib, top, Starboard ...	1	DTD.423	—	LH43			
	10-20 WE 199ND	BOOM , rib, bottom, Port ...	1	DTD.423	—	LH43			
	10-20 WE 200ND	BOOM , rib, bottom, Starboard ...	1	DTD.423	—	LH43			
	10-20 WE 2533ND	WEB , rib, Port, 20 SWG ...	1	DTD.746	—	LH35 LH43			
	10-20 WE 2534ND	WEB , rib, Starboard, 20 SWG ...	1	DTD.746	—	LH35 LH43			
	10-20 WE 41A	RIB , No. 11, wing extension, Port, assembly	1	—	—	LH35 LH43			
	10-20 WE 42A	RIB , No. 11, wing extension, Starboard, assembly	1	—	—	LH35 LH43			
		Spares for:—							
	10-20 WE 117ND	ANGLE , attachment, rib No. 11 to front spar, 18 SWG	1	L.73	—	LH43			
	10-20 WE 113ND	BOOM , rib, top, Port ...	1	DTD.423	—	LH43			
	10-20 WE 114ND	BOOM , rib, top, Starboard ...	1	DTD.423	—	LH43			
	10-20 WE 115ND	BOOM , rib, bottom, Port ...	1	DTD.423	—	LH43			
	10-20 WE 116ND	BOOM , rib, bottom, Starboard ...	1	DTD.423	—	LH43			
	10-20 WE 101ND	WEB , rib, Port, 20 SWG ...	1	DTD.746	—	LH35 LH43			
	10-20 WE 102ND	WEB , rib, Starboard, 20 SWG ...	1	DTD.746	—	LH35 LH43			
	10-20 WE 43A	RIB , No. 12, wing extension, Port, assembly	1	—	—	LH35 LH44			
	10-20 WE 44A	RIB , No. 12, wing extension, Starboard, assembly	1	—	—	LH35 LH44			

**MAIN PLANES
WING EXTENSION**

Ref. No.	Part No.	Description										No. off	Material Specification	Class of Store or L.M.	Plate No.
		1	2	3	4	5	6	7	8	9	10				
		Spares for :—													
	10-20 WE 407ND	ANGLE , attachment, rib No. 12, to front spar, 18 SWG										1	L.73	—	LH44
	10-20 WE 408ND	ANGLE , attachment, rib No. 12 to rear spar, 18 SWG										1	L.73	—	LH44
	10-20 WE 401ND	BOOM , rib, top, Port										1	DTD.423	—	LH44
	10-20 WE 402ND	BOOM , rib, top, Starboard										1	DTD.423	—	LH44
	10-20 WE 403ND	BOOM , rib, bottom, Port										1	DTD.423	—	LH44
	10-20 WE 404ND	BOOM , rib, bottom, Starboard										1	DTD.423	—	LH44
	10-20 WE 405ND	WEB , rib, Port, 20 SWG										1	DTD.746	—	LH35
	10-20 WE 406ND	WEB , rib, Starboard, 20 SWG										1	DTD.746	—	LH35
	10-20 WE 45A	RIB , No. 13, wing extension, Port, assembly (Forspareseuse10-20WE6215A/ND)										1	—	—	LH35
11376	10-20 WE 6215A/ND	RIB , No. 13, wing extension, Port, assembly (Spares condition)										1	—	P	LH44
	10-20 WE 46A	RIB , No. 13, wing extension, Starboard, assembly (Forspareseuse10-20WE6216A/ND)										1	—	—	LH35
11377	10-20 WE 6216A/ND	RIB , No. 13, wing extension, Starboard, assembly (Spares condition)										1	—	P	LH44
	10-20 WE 645ND	Spares for :—													
13503	10-20 WE 645ND	ANGLE , attachment, rib No. 13 to front spar, 18 SWG										1	—	C	LH44
	10-20 WE 3001	BRACKET , " P " clip, at front spar attachment angle, 18 SWG										1	L.72	LM	LH44
19016	10-20 WE 10597	BRACKET , Port (Mod. 1271)										1	—	C	LH44
28D/15521	AS.4565/1B	Attachments for 10-20 WE 10597, Bracket :— Bolt, 4 BA										2	—	C	
	10-20 WE 923A	SKIN , bottom, extension wing, ribs Nos. 8 to 13, Port, assembly (For spares use 10-20 WE 10343A/ND)										1	—	—	LH35
17587	10-20 WE 10343A/ND	SKIN , bottom, extension wing, ribs Nos. 8 to 13, Port, assembly (Mod. 1122) (Spares condition)										1	—	C	LH41
	10-20 WE 925A	SKIN , bottom, extension wing, ribs Nos. 8 to 13, Starboard, assembly (Pre Mod. 499)										1	—	—	LH35
	10-20 WE 925A/1	SKIN , bottom, extension wing, ribs Nos. 8 to 13, Starboard, assembly (Mod. 499) (Forspareseuse10-20WE6617A/ND)										1	—	—	LH41
14589	10-20 WE 6617A/ND	SKIN , bottom, extension wing, ribs, Nos. 8 to 13, Starboard, assembly (Spares condition)										1	—	C	
	10-20 WE 2155	ANGLE , attachment, aileron booster guard, at stringer No. 10, between ribs Nos. 9 and 10										1	—	—	LH41
	10-20 WE 5507ND	ANGLE , bare, 18 SWG										1	L.72	LM	LH41
	10-20 WE 1673ND	BRACKET , on compass access hole reinforcing plate, at rib No. 13, Port, 18 SWG										1	L.72	LM	LH41
	10-20 WE 6501	BRACKET , on outboard reinforcing plate at stringer No. 5, between ribs Nos. 9 and 10										1	—	—	LH41
	10-20 WE 6503ND	BRACKET , bare, 20 SWG										1	L.72	LM	LH41
	10-20 N 12069	BRACKET , auto-pilot coupler, at rib No. 10, stringer, No. 4										1	—	—	LH41
	10-20 N 12071ND	BRACKET , bare, 18 SWG										1	L.72	LM	LH41
28S/9435715	A33/816	Attachments for 10-20 N 12069, Bracket :— Screw, 4 BA										4	—	C	

MAIN PLANES
WING EXTENSION

Ref. No.	Part No.	Description										No. off	Material Specification	Class of Store or L.M.	Plate No.	
		1	2	3	4	5	6	7	8	9	10					
	10-20 WE 1305												8	L.72	LM	LH41
	10-20 WE 1306												8	L.72	LM	LH41
3239	DHS.382/2½E												3	—	C	LH41
3228	DHS.382/3E												3	—	C	LH41
8384	DHS.984/E												3	—	C	LH41
	10-20 WE 927ND												1	DTD.746	—	LH41
	10-20 WE 929ND												1	DTD.746	—	LH41
2593	10-20 WE 1191												5	L.72	C	LH41
2594	10-20 WE 1192												2	L.72	C	LH41
3239	DHS.382/2½E												3	—	C	LH41
8384	DHS.984/E												3	—	C	LH41
	—												7	—	LM	LH41
	10-20 WE 821A												1	—	—	LH35 LH42
14586	10-20 WE 6603A/ND												1	—	C	
	10-20 WE 822A												1	—	—	LH35 LH42
14587	10-20 WE 6604A/ND												1	—	C	
	10-20 WE 6397												16	LFB.89 or LFS.21 or LFS.23	—	LH41
285/9156114	PARKER KALON Type Z												1	—	C	
	10-20 WE 493												1	L.73	—	LH42
	10-20 WE 521ND												1	L.73	—	LH42
	10-20 WE 522ND												1	L.73	—	LH42

MAIN PLANES
WING EXTENSION

Ref. No.	Part No.	Description										No. off	Material Specification	Class of Store or L.M.	Plate No.
		1	2	3	4	5	6	7	8	9	10				
		Attachments for 10-20 WE 521ND or 10-20 WE 522ND, Plate :-													
3767	DHS.363/2½EE	Bolt, ½"	BSF	25	—	C	LH42
2240	DHS.363/4EE	Bolt, ½"	BSF	5	—	C	LH42
2227	DHS.983/E	Nut, ½"	BSF	30	—	C	LH42
	10-20 WE 839ND	SKIN , top panel, between ribs Nos. 8 and 13, Port, 13 SWG										1	DTD.687	—	LH42
	10-20 WE 840ND	SKIN , top panel, between ribs Nos. 8 and 13, Starboard, 13 SWG										1	DTD.687	—	LH42
	—	STRINGERS , Nos. 4, 5, 6, 8, 9, 10 and 11 (Make from standard section J.200, Ref. No. 26FY/2349)										7	—	LM	LH42
	—	STRINGER , No. 7 (Make from standard section J.2002, Ref. No. 26FY/4577)										1	—	LM	LH42
		Attachments for 10-20 WE 923A, 10-20 WE 925A, 10-20 WE 925A/1, 10-20 WE 821A or 10-20 WE 822A, Skin :-													
1199	DHS.358/1C	Bolt, 2"	BA	8	—	C	
1654	DHS.358/2C	Bolt, 2"	BA	2	—	C	
1655	DHS.358/3C	Bolt, 2"	BA	104	—	C	
1660	DHS.358/4C	Bolt, 2"	BA	17	—	C	
3775	DHS.363/2EE	Bolt, ½"	BSF (Pre Mod. 360)	100	—	C	
26DL/15936	DHS.1063/2EE	Bolt, ½"	BSF (Mod. 360)	100	—	C	
3767	DHS.363/2½EE	Bolt, ½"	BSF (Pre Mod. 360)	130	—	C	
15567	DHS.1063/2½EE	Bolt, ½"	BSF (Mod. 360)	130	—	C	
3591	DHS.363/3EE	Bolt, ½"	BSF (Pre Mod. 360)	10	—	C	
15568	DHS.1063/3EE	Bolt, ½"	BSF (Mod. 360)	10	—	C	
1653	DHS.365/2E	Bolt, ½"	BSF	77	—	C	
1657	DHS.365/3E	Bolt, ½"	BSF	10	—	C	
2721	DHS.365/2½EE	Bolt, ½"	BSF	62	—	C	
2722	DHS.365/3EE	Bolt, ½"	BSF	6	—	C	
3021	DHS.901/1E	Bolt, ½"	BSF (Pre Mod. 360)	3	—	C	
26DL/15902	DHS.1001/1E	Bolt, ½"	BSF (Mod. 360)	3	—	C	
2728	DHS.901/1½E	Bolt, ½"	BSF (Pre Mod. 360)	4	—	C	
26DL/15903	DHS.1001/1½EE	Bolt, ½"	BSF (Mod. 360)	4	—	C	
2727	DHS.901/2E	Bolt, ½"	BSF (Pre Mod. 360)	122	—	C	
26DL/15904	DHS.1001/2EE	Bolt, ½"	BSF (Mod. 360)	122	—	C	
2364	DHS.901/2½E	Bolt, ½"	BSF (Pre Mod. 360)	8	—	C	
26DL/15905	DHS.1001/2½EE	Bolt, ½"	BSF (Mod. 360)	8	—	C	
2732	DHS.901/3E	Bolt, ½"	BSF (Pre Mod. 360)	2	—	C	
26DL/15906	DHS.1001/3EE	Bolt, ½"	BSF (Mod. 360)	2	—	C	
28M/1010995	A27/CP	Nut, 2"	BA	62	—	C	
28M/10288	AGS.2001/C/1	Nut, 2"	BA	61	—	C	
28M/10330	A24/CP	Nut, 2"	BA	8	—	C	
28M/12931	A27/ET	Nut, lock, ½"	BSF	74	—	C	
28M/10330	AGS.2002/E/1	Nut, ½"	BSF	79	—	C	
28M/10320	AGS.2002/E/3	Nut, ½"	BSF	9	—	C	
2227	DHS.983/E	Nut, ½"	BSF	373	—	C	
28W/9419475	SP.15/C	Washer	2	—	C	
28W/9419405	SP.15/E	Washer	466	—	C	
28W/9418921	SP.13/E	Washer	85	—	C	
	10-20 WE 1077	Washer, special, 16 SWG	104	L.72	LM	LH42

7663

**MAIN PLANES
WING EXTENSION**

Ref. No.	Part No.	Description										No. off	Material Specification	Class of Store or L.M.	Plate No.
		1	2	3	4	5	6	7	8	9	10				
	—	SPAR , front, extension wing, ribs Nos. 8 to 13 Port and Starboard group — (Drg. Nos. 10-20 WE 2327A/1, 10-20 WE 2328A/2 and 10-20 WE 2555)										1	—	—	LH37
	10-20 WE 171	ANGLE , attachment, for nose rib posts at front spar, 18 SWG										7	L.73	LM	LH37
	10-20 WE 2569	BRACKET , attachment, bottom skin, at front spar, between nose ribs Nos. 9A and 10, 16 SWG										2	L.73	LM	LH37
	10-20 WE 5063	BRACKET , attachment, top skin, at front spar, between nose ribs Nos. 9A and 10, Port, 16 SWG										2	L.73	—	LH37
	10-20 WE 5064	BRACKET , attachment, top skin, at front spar, between nose ribs Nos. 9A and 10, Starboard, 16 SWG										2	L.73	—	LH37
	10-20 WE 5123	BRACKET , attachment, at front spar, for nose rib post No. 13, Port, 18 SWG										1	L.73	—	LH37
	10-20 WE 5124	BRACKET , attachment, at front spar, for nose rib post No. 13, Starboard, 18 SWG										1	L.73	—	LH37
	10-20 WE 2907	BRACKET , mounting, for conduit at nose rib No. 11A, 20 SWG										1	L.72	LM	LH37
	10-20 WE 1899A	BRACKET , support, for A.S.I. pipe between nose ribs Nos. 11 and 11A, 18 SWG										1	L.73	—	LH37
	10-20 WE 163	COVER , access, front spar, at ribs Nos. 11 and 11A, 16 SWG										2	DTD.687	—	LH37
		Attachments for 10-20 WE 163, Cover :—													
28D/1010030	A25/2E	Bolt, 1/2" BSF										17	—	C	
28W/9419405	SP.15/E	Washer										17	—	C	
	10-20 WE 1935	COVER , access, front spar, at rib No. 13, 18 SWG										1	DTD.687	—	LH37
		Attachments for 10-20 WE 1935, Cover :—													
28D/9133011	A25/2C	Bolt, 2 BA										14	—	C	
28W/9419475	SP.15/C	Washer										14	—	C	
2661	10-20 WE 2333	FITTING , end, top, in stiffener between ribs Nos. 8 and 9, at front spar										1	—	C	LH37
2662	10-20 WE 2334	FITTING , end, bottom, in stiffener between ribs Nos. 10A and 11, at front spar										1	—	C	LH37
		Attachments for 10-20 WE 2333 or 10-20 WE 2334, Fitting :—													
2737	DHS.901/11½E	Bolt, 1/2" BSF (Pre Mod. 360)										2	—	C	
	DHS.1001/11½EE	Bolt, 1/2" BSF (Mod. 360)										2	—	—	
2738	DHS.901/12E	Bolt, 1/2" BSF (Pre Mod. 360)										1	—	C	
17555	DHS.1001/12EE	Bolt, 1/2" BSF (Mod. 360)										1	—	C	
2227	DHS.983/E	Nut, 1/2" BSF										3	—	C	
	10-20 WE 683A	POST , nose rib No. 9, Port, assembly										1	—	—	LH37
	10-20 WE 684A	POST , nose rib No. 9, Starboard, assembly										1	—	—	LH37
	10-20 N 230	BRACKET , conduit, Port, 20 SWG										1	L.72	LM	LH37
	10-20 N 229	BRACKET , conduit, Starboard, 20 SWG										1	L.72	LM	LH37
	10-20 WE 1307	POST , nose rib No. 9A, Port										1	—	—	LH37
	10-20 WE 1308	POST , nose rib No. 9A, Starboard										1	—	—	LH37
	10-20 WE 2605A	POST , nose rib No. 10, Port, assembly										1	—	—	LH37

MAIN PLANES
WING EXTENSION

Ref. No.	Part No.	Description	No. off	Material Specification	Class of Score or L.M.	Plate No.			
							1	2	3
	10-20 WE 2606A	POST, nose rib No. 10, Starboard, assembly	1	—	—	LH37			
	10-20 N 230	BRACKET, conduit, Port, 20 SWG	1	L.72	LM	LH37			
	10-20 N 229	BRACKET, conduit, Starboard, 20 SWG...	1	L.72	LM	LH37			
	10-20 WE 655A	POST, nose rib No. 10A, Port, assembly	1	—	—	LH37			
	10-20 WE 656A	POST, nose rib No. 10A, Starboard, assembly	1	—	—	LH37			
	10-20 N 230	BRACKET, conduit, Port, 20 SWG	1	L.72	LM	LH37			
	10-20 N 229	BRACKET, conduit, Starboard, 20 SWG	1	L.72	LM	LH37			
	10-20 WE 657A	POST, nose rib No. 11, Port, assembly	1	—	—	LH37			
	10-20 WE 658A	POST, nose rib No. 11, Starboard, assembly	1	—	—	LH37			
	10-20 WE 659A	POST, nose rib No. 11A, Port, assembly	1	—	—	LH37			
	10-20 WE 660A	POST, nose rib No. 11A, Starboard, assembly	1	—	—	LH37			
	10-20 N 230	BRACKET, conduit, Port, 20 SWG	1	L.72	LM	LH37			
	10-20 N 229	BRACKET, conduit, Starboard, 20 SWG	1	L.72	LM	LH37			
	10-20 WE 661A	POST, nose rib No. 12, Port, assembly	1	—	—	LH37			
	10-20 WE 662A	POST, nose rib No. 12, Starboard, assembly	1	—	—	LH37			
	10-20 N 230	BRACKET, conduit, Port, 20 SWG	1	L.72	LM	LH37			
	10-20 N 229	BRACKET, conduit, Starboard, 20 SWG	1	L.72	LM	LH37			
	10-20 WE 1981A	POST, nose rib No. 13, Port, assembly	1	—	—	LH37			
	10-20 WE 1982A	POST, nose rib No. 13, Starboard, assembly	1	—	—	LH37			
	10-20 N 230	BRACKET, conduit, Port, 20 SWG	1	L.72	LM	LH37			
	10-20 N 229	BRACKET, conduit, Starboard, 20 SWG...	1	L.72	LM	LH37			
	—	SPAR, rear, extension wing, ribs Nos. 8 to 13 Port and Starboard group :— (Drg. Nos. 10-20 WE 685, 10-20 WE 686, 10-20 WE 27, 10-20 WE 49 and 10-20 WE 1113)	1	—	—	LH38			
	10-20 WE 2151	ANGLE, attachment, aileron booster guard, between ribs Nos. 9 and 10, 18 SWG	1	L.72	LM	LH38			
	10-20 WE 321A	BRACKET, access door, aileron shroud between ribs Nos. 9 and 10, Port, outboard, assembly	1	—	—	LH38			
	10-20 WE 323A	BRACKET, access door, aileron shroud at rib No. 9, Port, inboard, assembly	1	—	—	LH38			
	10-20 WE 322A	BRACKET, access door, aileron shroud, between ribs Nos. 9 and 10, Star- board, outboard, assembly	1	—	—	LH38			
	10-20 WE 324A	BRACKET, access, door, aileron shroud, at rib No. 9, Starboard, inboard, assembly Spares for :—	1	—	—	LH38			
	28FP/9434137	CLIP	1	—	C	LH38			
	8318	BRACKET, hinge, aileron, on rear spar at rib No. 11, Port, assembly (Mod. 37)	1	—	C	LH38			
	8319	BRACKET, hinge, aileron, on rear spar at rib No. 11, Starboard, assembly (Mod. 37) Spares for :—	1	—	C	LH38			
	2701	BUSH, top (See Repair Section PA)	1	—	C	LH39			
	1530	BUSH, bottom	1	—	C	LH39			
	1563	SHIM, for bottom bush	QR	—	C	LH39			
		Attachments for 10-20 WE 5015A or 10-20 WE 5016A, Bracket :—							
	2743	Bolt, 3/8" BSF (Pre Mod. 360)	2	—	C				
	17553	Bolt, 3/8" BSF (Mod. 360)	2	—	C				
	2744	Bolt, 3/8" BSF (Pre Mod. 360)	2	—	C				
	17552	Bolt, 3/8" BSF (Mod. 360)	2	—	C				
	28D/14288	Bolt, 2 BA	10	—	C				
	28D/13420	Bolt, 2 BA	1	—	C				
	5208	Nut, 3/8" BSF	4	—	C				
	28M/1006473	Nut, 2 BA	11	—	C				
	2702	Shim, at rear spar	1	—	C	LH38			

MAIN PLANES
WING EXTENSION

Ref. No.	Part No.	Description	No. off	Material Specification	Class of Store or L.M.	Plate No.			
							1	2	3
8320	10-20 WE 5019A	BRACKET , hinge, aileron, on rear spar at rib No. 13, Port, assembly (Mod. 37)	1	—	C	LH38			
8321	10-20 WE 5020A	BRACKET , hinge, aileron, on rear spar at rib No. 13, Starboard, assembly (Mod. 37)	1	—	C	LH38			
1561	10-20 WE 3053	BUSH , top and bottom	2	—	C	LH38			
1562	10-20 WE 3065	SHIM , for bush	QR	—	C	LH38			
		Attachments for 10-20 WE 5019A, or 10-20 WE 5020A, Bracket:—							
2364	DHS.901/2½E	Bolt, ½" BSF (Pre Mod. 360)	2	—	C				
26DL/15905	DHS.1001/2½EE	Bolt, ½" BSF (Mod. 360)	2	—	C				
2238	DHS.901/4E	Bolt, ½" BSF (Pre Mod. 360)	2	—	C				
15531	DHS.1001/4EE	Bolt, ½" BSF (Mod. 360)	2	—	C				
28D/14288	AS.3294/4C	Bolt, 2 BA	10	—	C				
2227	DHS.983/E	Nut, ½" BSF	4	—	C				
28M/1006473	A27/CT	Nut, 2 BA	10	—	C				
2717	10-20 WE 293A	BRACKET , shroud, top, at rear spar, rib No. 9, assembly	1	—	C	LH38			
2716	10-20 WE 295A	BRACKET , shroud, top, at rear spar between ribs Nos. 9 and 10, assembly	1	—	C	LH38			
		Attachments for 10-20 WE 293A or 10-20 WE 295A, Bracket:—							
28D/9436920	A25/1C	Bolt, 2 BA	2	—	C				
28D/7002427	A25/6G	Bolt, ½" BSF	2	—	C				
28M/10288	AGS.2001/C/1	Nut, 2 BA	2	—	C				
28M/1006939	A27/GP	Nut, ½" BSF	2	—	C				
28W/9419475	SP.15/C	Washer	2	—	C				
28W/9419488	SP.16/G	Washer	1	—	C				
2714	10-20 WE 267A	BRACKET , shroud, top, at rear spar, rib No. 10, assembly	1	—	C	LH38			
2715	10-20 WE 283A	BRACKET , shroud, bottom, at rear spar, rib No. 10, assembly	1	—	C	LH38			
		Attachments for 10-20 WE 267A or 10-20 WE 283A, Bracket:—							
28D/9436920	A25/1C	Bolt, 2 BA	2	—	C				
28D/1011238	A25/3E	Bolt, ½" BSF	2	—	C				
28M/10288	AGS.2001/C/1	Nut, 2 BA	2	—	C				
28M/7002430	AGS.2002/E/1	Nut, ½" BSF	1	—	C				
28M/12931	A27/ET	Nut, ½" BSF	1	—	C				
28W/9419475	SP.15/C	Washer	2	—	C				
28W/9418921	SP.13/E	Washer	2	—	C				
2687	10-20 WE 241A	BRACKET , shroud, top, at rear spar between ribs Nos. 10 and 11	1	—	C	LH38			
2688	10-20 WE 253A	BRACKET , shroud, bottom, at rear spar between ribs Nos. 10 and 11	1	—	C	LH38			
2689	10-20 WE 243A	BRACKET , shroud, top, at rear spar between ribs Nos. 11 and 12	1	—	C	LH38			
2690	10-20 WE 255A	BRACKET , shroud, bottom, at rear spar between ribs Nos. 11 and 12	1	—	C	LH38			
2691	10-20 WE 269A	BRACKET , shroud, top, at rear spar, rib No. 12	1	—	C	LH38			
2692	10-20 WE 285A	BRACKET , shroud, bottom, at rear spar, rib No. 12	1	—	C	LH38			

MAIN PLANES
WING EXTENSION

Ref. No.	Part No.	Description	No. off	Material Specification	Class of Store or L.M.	Plate No.			
							1	2	3
2693	10-20 WE 245A	BRACKET , shroud, top, at rear spar between ribs Nos. 12 and 13	1	—	C	LH38			
2694	10-20 WE 257A	BRACKET , shroud, bottom, at rear spar between ribs Nos. 12 and 13 Attachments for 10-20 WE 241A, 10-20 WE 253A, 10-20 WE 243A, 10-20 WE 255A, 10-20 WE 269A, 10-20 WE 285A, 10-20 WE 245A or 10-20 WE 257A, Bracket :—	1	—	C	LH38			
28D/9436920	A25/1C	Bolt, 2 BA	2	—	C				
28D/1011030	A25/2E	Bolt, 1/2" BSF	2	—	C				
28M/10288	AGS2001/C/1	Nut, 2 BA	2	—	C				
28M/7002430	AGS.2002/E/1	Nut, BSF (at rib No. 12 only)	2	—	C				
28M/12931	A27/ET	Nut, 1/2" BSF	2	—	C				
28W/9419475	DHS.762/E/16 SP.15/C	Washer, support	2	—	—	LH38			
		Washer	2	—	C				
16633	10-20 WE 6805	BRACKET , spar sealing, aileron booster between ribs Nos. 9 and 10 (Mod. 781)	1	—	C	LH38			
2670	10-20 WE 791	BRACKET , strut support, aileron booster between ribs Nos. 9 and 10, Port	1	—	C	LH40			
2671	10-20 WE 792	BRACKET , strut support, aileron booster between ribs Nos. 9 and 10, Starboard	1	—	C	LH40			
	10-20 WE 1027	CHANNEL , stiffener, on forward face of rear spar at doubling plate, 16 SWG	1	L.73	LM	LH38			
	10-20 WE 3799A/ND	CONDUIT , outboard of rib No. 13, from rear spar at front diaphragm, Port, 1/2" o/d x 22 SWG tube and 20 SWG, plate	1	L.56 & L.59	LM	LH38			
	10-20 WE 3800A/ND	CONDUIT , outboard of rib No. 13, from rear spar to front diaphragm, Starboard, 1/2" o/d x 22 SWG tube and 10 SWG, plate Attachments for 10-20 WE 3799A/ND or 10-20 WE 3800A/ND, Conduit :—	1	L.56 & L.59	LM	LH38			
	10-20 WE 3797	Bracket, for 'P' clip, 20 SWG	1	L.72	LM	LH38			
28E/9435723	AS.3181/8B	Clip, 'P'	1	—	C				
28M/10287	AGS.2001/B/1	Nut, 4 BA	1	—	C				
28S/1005583	A37/B16	Screw, 4 BA	1	—	C				
	10-20 WE 145	COVER , access, rear spar web, between ribs Nos. 10 and 11, 14 SWG Attachments for 10-20 WE 145, Cover :—	2	L.73	—	LH38			
28D/1011030	A25/2E	Bolt, 1/2" BSF	16	—	C				
	10-20 WE 147	COVER , access, rear spar web, between ribs Nos. 11 and 12, 14 SWG Attachments for 10-20 WE 147, Cover :—	2	L.73	—	LH38			
28D/9133011	A25/2C	Bolt, 2 BA	12	—	C				
	10-20 WE 149	COVER , access, rear spar web, between ribs Nos. 12 and 13, 14 SWG Attachments for 10-20 WE 149, Cover :—	2	L.73	—	LH38			
28D/9133011	A25/2C	Bolt, 2 BA	8	—	C				

**MAIN PLANES
WING EXTENSION**

Ref. No.	Part No.	Description	No. off	Material Specification	Class of Store or L.M.	Plate No.			
							1	2	3
	10-20 WE 10557A	DIAPHRAGM , box, outer, outboard of rib No. 13, at rear spar, Port (For spares use 10-20 WE 10593ND)	1	—	—	LH35			
19075	10-20 WE 10593A/ND	DIAPHRAGM , box, outer, outboard of rib No. 13, at rear spar, Port (Spares condition)	1	—	C				
	10-20 WE 10558A	DIAPHRAGM , box, outer, outboard of rib No. 13, at rear spar, Starboard (For spares use 10-20 WE 10594ND)	1	—	—	LH35			
19076	10-20 WE 10594A/ND	DIAPHRAGM , box, outer, outboard of rib No. 13, at rear spar, Starboard (Spares condition)	1	—	C				
	10-20 WE 1137A	DIAPHRAGM , box, front, outboard of rib No. 13, at rear spar, Port (For spares use 10-20 WE 57018A/ND)	1	—	—	LH35			
12006	10-20 WE 5701A/ND	DIAPHRAGM , box, front, outboard of rib No. 13, at rear spar, Port (Spares condition)	1	—	C				
	10-20 WE 1138A	DIAPHRAGM , box, front, outboard of rib No. 13, at rear spar, Starboard (For spares use 10-20 WE 5702A/ND)	1	—	—	LH35			
12007	10-20 WE 5702A/ND	DIAPHRAGM , box, front, outboard of rib No. 13, at rear spar, Starboard (Spares condition)	1	—	C				
	10-20 WE 37A	DIAPHRAGM , aileron booster mounting, between ribs Nos. 9 and 10, Port, assembly	1	—	—	LH40			
	10-20 WE 38A	DIAPHRAGM , aileron booster mounting, between ribs Nos. 9 and 10, Starboard, assembly	1	—	—	LH40			
	10-20 WE 1011ND	BOOM , bottom, Port	1	DTD.423	—	LH40			
	10-20 WE 1012ND	BOOM , bottom, Starboard	1	DTD.423	—	LH40			
	10-20 WE 1009ND	BOOM , top, Port	1	DTD.423	—	LH40			
	10-20 WE 1010ND	BOOM , top, Starboard	1	DTD.423	—	LH40			
	10-20 WE 393	BRACKET , aileron booster mounting, in-board, Port	1	L.53	—	LH40			
	10-20 WE 394	BRACKET , aileron booster mounting, in-board, Starboard	1	L.53	—	LH40			
	10-20 WE 2673	BRACKET , aileron booster mounting, out-board, Port	1	L.53	—	LH40			
	10-20 WE 2674	BRACKET , aileron booster mounting, out-board, Starboard	1	L.53	—	LH40			
	10-20 WE 4311	RING , rubbing, at booster diaphragm, rib No. 10, Port	1	DTD.5020	—	LH40			
	10-20 WE 4312	RING , rubbing, at booster diaphragm, rib No. 10, Starboard	1	DTD.5020	—	LH40			
	10-20 WE 4313	RING , rubbing, at booster diaphragm, rib No. 9	2	DTD.5020	—	LH40			
	10-20 WE 1013ND	STIFFENER , Port, 18 SWG	1	L.73	—	LH36			
	10-20 WE 1014ND	STIFFENER , Starboard, 18 SWG	1	L.73	—	LH36			

MAIN PLANES
WING EXTENSION

Ref. No.	Part No.	Description										No. off	Material Specification	Class of Store or L.M.	Plate No.
		1	2	3	4	5	6	7	8	9	10				
	10-20 WE 219A	DOOR , access, aileron inner hinge shroud, at rib No. 9, rear spar, Port, assembly (For spares use 10-20 WE 5611A/ND)										1	—	—	LH39
2718	10-20 WE 5611A/ND	DOOR , access, aileron inner hinge shroud, at rib No. 9, rear spar, Port, assembly (Spares condition)										1	—	P	
	10-20 WE 220A	DOOR , access, aileron inner hinge, shroud at rib No. 9, rear spar, Starboard, assembly (For spares use 10-20 WE 5612A/ND)										1	—	—	LH39
2719	10-20 WE 5612A/ND	DOOR , access, aileron inner hinge shroud, at rib No. 9, rear spar, Starboard, assembly (Spares condition) Spares for :—										1	—	P	
	10-20 WE 221ND	HINGE (Make from AS.1878/115, Ref. No. 28N/10786)										1	—	LM	LH39
	10-20 WE 223ND	PACKING , 20 SWG										2	L.72	LM	LH39
	10-20 WE 225ND	STIFFENER (Make from standard section J.2076, Ref. No. 26FY/2745)										1	—	LM	LH39
28FP/587	ODDIE 211/2	STUD										2	—	C	LH39
28FP/9424333	ODDIE 219	WASHER										2	—	C	LH39
		Attachment for 10-20 WE 219A, or 10-20 WE 220A, Door :—													
1141	DHS.365/1C	Bolt, 2 BA										9	—	C	
28M/1006473	A27/CT	Nut, 2 BA										9	—	C	
2674	10-20 WE 951	EYE-BOLT , aileron booster mounting strut, at rear spar, Port										2	—	C	LH40
2675	10-20 WE 952	EYE-BOLT , aileron booster mounting strut, at rear spar, Starboard										2	—	C	LH40
		Attachments for 10-20 WE 951 or 10-20 WE 952, Eyebolt :—													
28M/14015	A27/NC	Nut, 1/2" BSF										1	—	C	
28P/19234	SP.90/EB	Pin, split (SP.9/E10)										1	—	C	
2741	DHS.69/HH	Shim										2	—	C	LH40
28W/9419468	SP.13/N	Washer										1	—	C	
	10-20 WE 1157	FITTING , channel, at aileron inner hinge support, rear spar, rib No. 9, Port, inboard (For spares use 10-20 WE 5579ND)										1	L.65	—	LH39
2685	10-20 WE 5579ND	FITTING , channel, at aileron inner hinge support, rear spar, rib No. 9, Port, inboard (Spares condition)										1	—	C	
	10-20 WE 1159	FITTING , channel, at aileron inner hinge support, rear spar, rib No. 9, Port, outboard (For spares use 10-20 WE 5581ND)										1	L.65	—	LH39
2683	10-20 WE 5581ND	FITTING , channel, at aileron inner hinge support, rear spar, rib No. 9, Port, outboard (Spares condition)										1	—	C	

MAIN PLANES
WING EXTENSION

Ref. No.	Part No.	Description										No. off	Material Specification	Class of Store or L.M.	Plate No.				
		1	2	3	4	5	6	7	8	9	10								
	10-20 WE 1158																		
	2686	10-20 WE 5580ND																	
		10-20 WE 1160																	
	2684	10-20 WE 5582ND																	
	2742	DHS.365/4C																	
	26DV/5897	DHS.365/4E																	
	28M/10288	AGS.2001/C/1																	
	28M/10290	AGS.2001/E/1																	
	28W/9419475	SP.15/C																	
	28W/9419405	SP.15/E																	
		10-20 WE 6809A																	
	17203	10-20 WE 10063A/ND																	
		10-20 WE 6810A																	
	17202	10-20 WE 10064A/ND																	
	2672	10-20 WE 2143ND																	
	2673	10-20 WE 2144ND																	
	28M/9144673	AGS.2019/C/1																	
	28D/9436920	A25/1C																	
	28W/9419402	SP.13/C																	
		10-20 WE 61A																	
	17451	10-20 WE 10197A/ND																	

MAIN PLANES
WING EXTENSION

Ref. No.	Part No.	Description	No. off										Material Specification	Class of Store or L.M.	Plate No.		
			1	2	3	4	5	6	7	8	9	10					
	10-20 WE 63A	HINGE , aileron inner, at rear spar, rib No. 9, Starboard, assembly (For spares use 10-20 WE 10201A/ND)												1	—	—	LH40
17486	10-20 WE 10201A/ND	HINGE , aileron inner, at rear spar, rib No. 9, Starboard, assembly (Mod. 1171) (Spares condition) Spares for :—												1	—	P	
13805	SKEFKO 22205/C1	BEARING Attachments for SKEFKO 22205/C1, Bearing :—												1	—	C	LH40
17481	10-20 WE 10205	Circlip (Mod. 1171)												1	—	C	LH40
26DL/15410	DHS.934 Mk. 1	SEAL , rubber												2	—	C	LH40
17299	10-20 WE 10017	SHIELD , roller race (Mod. 1171)												1	—	C	LH40
17298	10-20 WE 10015	SHIELD , roller race (Mod. 1171) Attachments for 10-20 WE 61A or 10-20 WE 63A, Hinge :—												1	—	C	LH40
2348	DHS.358/4E	Bolt, 1/4" BSF												11	—	C	
28M/1011475	A27/EP	Nut, 1/4" BSF												11	—	C	
	10-20 WE 5821	Packing, 12 SWG												1	L73	—	LH40
	10-20 WE 10681ND	PACKING , 18 SWG, between doubling plate 10-20 WE 279-80 and skin, rib 9 and 10, at main spar												1	L72	LM	
2706	10 WE 435	PACKING , at aileron hinge, rib No. 11, top skin, at rear spar Attachments for 10 WE 435, Packing :—												2	—	C	LH39
28D/14288	AS.3294/4C	Bolt, 2 BA												1	—	C	
28M/1006473	A27/CT	Nut, 2 BA												1	—	C	
2707	10-20 WE 4509	Shim, top skin												1	—	C	LH39
2710	10 WE 437	PACKING , at aileron hinge, rib No. 13, top skin, at rear spar Attachments for 10 WE 437, Packing :—												2	—	C	LH39
28D/13128	AS.3294/2C	Bolt, 2 BA												1	—	C	
28M/1006473	A27/CT	Nut, 2 BA												1	—	C	
2711	10-20 WE 4511	Shim, top skin												1	—	C	LH39
2712	10 WE 439	PACKING , at aileron hinge, rib No.13, bottom skin, at rear spar Attachments for 10 WE 439, Packing :—												1	—	C	LH39
28D/13128	AS.3294/2C	Bolt, 2 BA												1	—	C	
28M/1006473	A27/CT	Nut, 2 BA												1	—	C	
2713	10-20 WE 4513	Shim, bottom skin												1	—	C	LH39
2676	10-20 WE 3133	PLATE , back, for aileron inner hinge at rear spar, rib No. 9 Attachments for 10-20 WE 3133, Plate :—												1	—	C	LH40
2740	DHS.358/4G	Bolt, 5/16" BSF												1	—	C	
28D/1202771	A25/4G	Bolt, 5/16" BSF												15	—	C	
28D/1011256	A25/5G	Bolt, 5/16" BSF												7	—	C	
28M/1006939	A27/GP	Nut, 5/16" BSF												23	—	C	
28VV/9419476	SP.15/G	Washer												23	—	C	

**MAIN PLANES
WING EXTENSION**

Ref. No.	Part No.	Description										No. off	Material Specification	Class of Score or L.M.	Plate No.	
		1	2	3	4	5	6	7	8	9	10					
2703	10-20 WE 1683											PLATE , blanking, at aileron hinge, rib No. 11, bottom skin, at rear spar, Port	1	—	C	LH38
2704	10-20 WE 1684											PLATE , blanking, at aileron hinge, rib No. 11 bottom skin, at rear spar, Starboard	1	—	C	LH38
28D/13128 28M/1006473	AS.3294/2C A27/CT											Bolt, 2 BA; Nut, 2 BA;	6 6	— —	C C	
2705	10-20 WE 4515											Shim, bottom skin	1	—	C	LH38
	10-20 WE 1111											PLATE , doubling, at rear spar, between ribs No. 8 and 10, Port, 12 SWG	1	L.73	—	LH38
	10-20 WE 1112											PLATE , doubling, at rear spar, between ribs No. 8 and 10, Starboard, 12 SWG	1	L.72	—	LH38
	10-20 WE 1143ND											PLATE , landing, at box diaphragm outboard of rib No. 13, at rear spar, Port, 18 SWG	1	L.73	LM	LH35
	10-20 WE 1144ND											PLATE , landing, at box diaphragm, outboard of rib No. 13, at rear spar, Starboard, 18 SWG	1	L.73	LM	LH35
	10-20 WE 359											STRAP , joint, top skin, at rib No. 10, rear spar, 14 SWG	1	L.73	LM	LH38
	10-20 WE 2179											STRUT , aileron booster mounting, outboard, at rear spar, rib No. 9 (For spares use 10-20 WE 5759ND)	1	—	—	LH40
10442	10-20 WE 5759ND											STRUT , aileron booster mounting, outboard at rear spar, rib No. 9 (Spares condition)	1	—	P	
	10-20 WE 2181											STRUT , aileron booster mounting, inboard, at rear spar, rib No. 9 (For spares use 10-20 WE 5761ND)	1	—	—	LH40
10443	10-20 WE 5761ND											STRUT , aileron booster mounting, inboard, at rear spar, rib No. 9 (Spares condition)	1	—	P	
28N/15373	10-20 WE 2133A HOFFMANN CJ.7											FITTING , end, booster strut, assembly ... JOINT , self-aligning	1 1	DTD.5024 —	— C	LH40 LH40
26FC/399	DHS.94/8/170											Attachments for 10-20 WE 2133A, Fitting :— Pin, ground steel, 1/4" dia.	4	—	C	LH40
	10-20 WE 2175											PLUG-END , outboard strut	1	L.65	—	LH40
	10-20 WE 2177											PLUG-END , inboard strut	1	L.65	—	LH40
28D/16563 28M/13935 28P/1007741	A60/16E A58/ES SP.9/C8 10-20 WE 6683ND											Attachments for 10-20 WE 2175 or 10-20 WE 2177, Plug-end :— Bolt, 1/2" BSF Nut, 1/2" BSF Plh, split Washer (Make from Part No. AS.1905/C12, Ref. No. 28W/14390)	4 4 4 8	— — — —	C C C —	LH40

**MAIN PLANES
WING EXTENSION**

Ref. No.	Part No.	Description	No. off	Material Specification	Class of Store or L.M.	Plate No.			
							1	2	3
		Attachments for 10-20 WE 2179A or 10-20 WE 2181A, Strut :—							
28D/16106	A59/13E	Bolt, 1/2" BSF (at support bracket)	1	—	C				
28D/16975	A59/9G	Bolt, 3/8" BSF (outboard strut at trunnion) ...	2	—	C				
28D/9434879	A59/11G	Bolt, 3/8" BSF (inboard strut at trunnion) ...	2	—	C				
28D/1213571	A60/9J	Bolt, 3/8" BSF (at eyebolt)	1	—	—				
28M/1011467	A27/ES	Nut, 1/2" BSF	1	—	C				
28M/13122	A27/GS	Nut, 3/8" BSF	2	—	C				
28M/14833	A58/JS	Nut, 3/8" BSF	1	—	C				
28P/1007741	SP.9/C8	Pin, split	4	—	C				
28W/9419405	SP.15/E	Washer	1	—	C				
28W/9419476	SP.15/G	Washer	2	—	C				
	10-20 WE 2101	SUPPORT , aileron inner hinge, at rear spar, rib No. 9 (For spares use 10-20 WE 5605ND)	1	—	—	LH40			
2677	10-20 WE 5605ND	SUPPORT , aileron inner hinge, at rear spar, rib No. 9 (Spares condition)	1	—	C				
	10-20 WE 2103	SUPPORT , aileron inner hinge, at rear spar, rib No. 9 (For spares use 10-20 WE 5603ND)	1	—	—	LH40			
2678	10-20 WE 5603ND	SUPPORT , aileron inner hinge, at rear spar, rib No. 9 (Spares condition)	1	—	C				
		Attachments for 10-20 WE 2101 or 10-20 WE 2103, Support :—							
28D/9435056	A59/13J	Bolt, 1/2" BSF	1	—	C				
28D/9435060	A59/10N	Bolt, 1/2" BSF	1	—	C				
28M/13289	A27/JC	Nut, 1/2" BSF	1	—	C				
28M/14015	A27/NC	Nut, 3/8" BSF	1	—	C				
28P/9429528	SP.9/C8	Pin, split	1	—	C				
28P/9429652	SP.9/E10	Pin, split	1	—	C				
2741	DHS.69/HH	Shim	1	—	C	LH40			
28W/9419479	SP.15/N	Washer	1	—	C				
2663	10-20 CF 4423A	TRUNNION , aileron booster, between ribs No. 9 and 10, assembly Spares for :—	1	—	C	LH40			
2664	10 CF 4929	BUSH (See Repair section PA)	2	—	C	LH40			
		Attachments for 10-20 CF 4423A, Trunnion :—							
28M/15199	A58/LS	Nut, 1/2" BSF	2	—	C				
28P/9429652	SP.9/E10	Pin, split	2	—	C				
2665	10-20 WE 2017	Plate, bearing retaining, 18 SWG	2	—	C	LH40			
2666	10-20 WE 1279	Ring, abutment	2	—	C	LH40			
2667	10-20 WE 1285	Washer, felt, R.S.4	4	—	C	LH40			
2739	DHS.781/41/18	Washer, 18 SWG	2	—	C				
1565	10-20 WE 3061ND	STRIP sealing, at aileron shroud, top skin, from tip to inner aileron hinge, 1/2" thick x 6" wide (Attach with Red Bostik Specn. 1754, Ref. No. 33C/1332)	1	—	C	LH42			

MAIN PLANES
WING EXTENSION

Ref. No.	Part No.	Description										No. off	Material Specification	Class of Store or L.M.	Place No.	
		1	2	3	4	5	6	7	8	9	10					
	10-20 WE 3063ND												1	DTD.590	LM	LH42
	—												1	—	—	LH46
	10-20 WE 4345												1	—	—	LH46
11075	10-20 WE 6009ND												1	—	C	
	10-20 WE 4346												1	—	—	LH46
11076	10-20 WE 6010ND												1	—	C	
28D/9133012	A25/3C												1	—	C	
2360	DHS.393/4E												2	—	C	
2238	DHS.901/4E												3	—	C	
3216	DHS.901/6E												1	—	C	
28M/9403520	A27/CP												1	—	C	
28M/13376	A29/EP												6	—	C	
26DL/5611	DHS.402/E												4	—	C	
	10-20 WE 4457A												1	—	—	LH46
11074	10-20 WE 6027A/ND												1	—	C	
	10-20 WE 4455A												1	—	—	LH46
11073	10-20 WE 6025A/ND												1	—	C	
4641	10-20 WE 4449A												1	—	C	LH46
4907	DHS.901/8½G												1	—	C	
4908	DGS.901/9½G												1	—	C	
28D/1213570	A60/8I												1	—	C	
3190	DHS.983/G												2	—	C	
28M/1007404	A27/JT												1	—	C	
	10-20 WC 17793												2	DTD.710	LM	LH46
28VV/9419488	SP.16/G												2	—	C	
28VV/9419489	SP.16/I												1	—	C	

MAIN PLANES
WING EXTENSION

Ref. No.	Part No.	Description	No. off	Material Specification	Class of Store or L.M.	Plate No.			
							1	2	3
	—	STRUTS , skin support, group (Drg. No. 10-20 WE 3673)	1	—	—	LH47			
4633	10-20 WE 3575	BRACKET , strut attachment, inboard of inboard manhole at stringer No. 7	1	—	C	LH47			
		Attachments for 10-20 WE 3575, Bracket :—							
4906	DHS.498/7G	Bolt, $\frac{1}{8}$ " BSF	2	—	C				
28M/1006939	A27/GP	Nut, $\frac{1}{8}$ " BSF	2	—	C				
4636	10-20 WE 3581	BRACKET , strut attachment outboard of manhole at stringer No. 2A	1	—	C	LH47			
4627	10-20 WE 3579	BRACKET , strut attachment inboard of outboard manhole at stringer No. 7	1	—	C	LH47			
4630	10-20 WE 3577	BRACKET , strut attachment outboard of inboard manhole at stringer No. 7	1	—	C	LH47			
4624	10-20 WE 3583	BRACKET , strut attachment outboard of outboard manhole at stringer No. 7	1	—	C	LH47			
		Attachments for 10-20 WE 3581, 10-20 WE 3579, 10-20 WE 3577, or 10-20 WE 3583, Bracket :—							
4905	DHS.498/6G	Bolt, $\frac{1}{8}$ " BSF	2	—	C				
28M/1006939	A27/GP	Nut, $\frac{1}{8}$ " BSF	2	—	C				
	10-20 WE 3607A	STRUT , skin support, inboard of manhole at stringer No. 2A, Port, assembly (For spares use 10-20 WE 5961A/ND)	1	—	—	LH47			
10751	10-20 WE 5961A/ND	STRUT , skin support, inboard of manhole at stringer No. 2A, Port, assembly (Spares condition)	1	—	C				
	10-20 WE 3608A	STRUT , skin support, inboard of manhole at stringer No. 2A, Starboard, assembly (For spares use 10-20 WE 5962A/ND)	1	—	—	LH47			
10752	10-20 WE 5962A/ND	STRUT , skin, support, inboard of manhole at stringer No. 2A, Starboard, assembly (Spares condition)	1	—	C				
		Attachments for 10-20 WE 3607A or 10-20 WE 3608A, Strut :—							
28D/15245	A59/7E	Bolt, $\frac{1}{8}$ " BSF	1	—	C				
28D/16614	A59/4G	Bolt, $\frac{1}{8}$ " BSF	1	—	C				
28M/12931	A27/ET	Nut, lock, $\frac{1}{8}$ " BSF	1	—	C				
28M/1006939	A27/GP	Nut, $\frac{1}{8}$ " BSF	1	—	C				
28W/9419405	SP.15/E	Washer	1	—	C				
28W/9419476	SP.15/G	Washer	1	—	C				
	10-20 WE 3617A	STRUT , skin support, outboard of manhole at stringer No. 2A, Port, assembly (For spares use 10-20 WE 5951A/ND)	1	—	—	LH47			
10740	10-20 WE 5951A/ND	STRUT , skin support, outboard of manhole at stringer No. 2A, Port, assembly (Spares condition)	1	—	C				
	10-20 WE 3618A	STRUT , skin support, outboard of manhole at stringer No. 2A, Starboard, assembly (For spares use 10-20 WE 5952A/ND)	1	—	—	LH47			

**MAIN PLANES
WING EXTENSION**

Ref. No.	Part No.	Description										No. off	Material Specification	Class of Score or L.M.	Plate No.
		1	2	3	4	5	6	7	8	9	10				
10741	10-20 WE 5952A/ND	STRUT , skin support, outboard of manhole at stringer No. 2A, Starboard, assembly (Spares condition) Attachments for 10-20 WE 3617A or 10-20 WE 3618A, Strut :-										1	—	C	
28D/15711	A59/6E	Bolt, 3/8" BSF										1	—	C	
28D/16541	A59/5G	Bolt, 1/2" BSF										1	—	C	
28M/1011467	A27/ES	Nut, 3/8" BSF										1	—	C	
28M/13122	A27/GS	Nut, 1/2" BSF										1	—	C	
28P/9429528	SP.9/CB	Pin, split										2	—	C	
28W/9419405	SP.15/E	Washer										1	—	C	
28W/9419476	SP.15/G	Washer										1	—	C	
	10-20 WE 3609A	STRUT , skin support, inboard of inboard manhole at stringer No. 7, Port, assembly (For spares use 10-20 WE 5963A/ND)										1	—	—	LH47
10749	10-20 WE 5963A/ND	STRUT , skin support, inboard of inboard manhole at stringer No. 7, Port, assembly (Spares condition)										1	—	C	
	10-20 WE 3610A	STRUT , skin support, inboard of inboard manhole at stringer No. 7, Starboard, assembly (For spares use 10-20 WE 5964A/ND)										1	—	—	LH47
10750	10-20 WE 5964A/ND	STRUT , skin support, inboard of inboard manhole at stringer No. 7, Starboard, assembly (Spares condition) Attachments for 10-20 WE 3609A or 10-20 WE 3610A, Strut :-										1	—	C	
28D/15245	A59/7E	Bolt, 3/8" BSF										1	—	C	
28D/9434878	A59/7G	Bolt, 1/2" BSF										1	—	C	
28M/1011467	A27/ES	Nut, 3/8" BSF										1	—	C	
28M/13122	A27/GS	Nut, 1/2" BSF										1	—	C	
28P/9429528	SP.9/CB	Pin, split										2	—	C	
28W/9419405	SP.15/C	Washer										1	—	C	
28W/9419476	SP.15/G	Washer										1	—	C	
	10-20 WE 3615A	STRUT , skin support, inboard of outboard manhole at stringer No. 7, Port, assembly (For spares use 10-20 WE 5949A/ND)										1	—	—	LH47
10738	10-20 WE 5949A/ND	STRUT , skin, support, inboard of outboard manhole at stringer No. 7, Port, assembly (Spares condition)										1	—	C	
	10-20 WE 3616A	STRUT , skin support, inboard of outboard manhole at stringer No. 7, Starboard, assembly (For spares use 10-20 WE 5950A/ND)										1	—	—	LH47
10739	10-20 WE 5950A/ND	STRUT , skin support, inboard of outboard manhole at stringer No. 7, Starboard, assembly (Spares condition) Attachments for 10-20 WE 3615A or 10-20 WE 3616A, Strut :-										1	—	C	
28D/15711	A59/6E	Bolt, 3/8" BSF										1	—	C	
28D/16586	A59/6G	Bolt, 1/2" BSF (Attaching 10-20 WE 3611A and 10-20 WE 3612A, Strut)										1	—	C	
28M/12931	A27/ET	Nut, 3/8" BSF										1	—	C	
28M/1006939	A27/GP	Nut, 1/2" BSF										1	—	C	
28W/9419405	SP.15/E	Washer										1	—	C	
28W/9419476	SP.15/G	Washer										1	—	C	

MAIN PLANES
WING EXTENSION

Ref. No.	Part No.	Description										No. off	Material Specification	Class of Store or L.M.	Plate No.
		1	2	3	4	5	6	7	8	9	10				
	10-20 WE 3611A	STRUT , skin support, outboard of inboard manhole at stringer No. 7, Port, assembly (For spares use 10-20 WE 5945A/ND)										1	—	—	LH47
10734	10-20 WE 5945A/ND	STRUT , skin support, outboard of inboard manhole at stringer No. 7, Port, assembly (Spares condition)										1	—	C	
	10-20 WE 3612A	STRUT , skin support, outboard of inboard manhole at stringer No. 7, Starboard, assembly (For spares use 10-20 WE 5946A/ND)										1	—	—	LH47
10735	10-20 WE 5946A/ND	STRUT , skin support, outboard of inboard manhole at stringer No. 7, Starboard, assembly (Spares condition)										1	—	C	
	28D/15711 A59/6E 28M/12931 A27/ET 28W/9419405 SP.15/E	Attachments for 10-20 WE 3611A or 10-20 WE 3612A, Strut :— Bolt, 1/4" BSF 1 Nut, 1/4" BSF 1 Washer 1										1 1 1	— — —	C C C	
	10-20 WE 3613A	STRUT , skin support, outboard of outboard manhole at stringer No. 7, Port, assembly (For spares use 10-20 WE 5947A/ND)										1	—	—	LH47
10736	10-20 WE 5947A/ND	STRUT , skin support, outboard of outboard manhole at stringer No. 7, Port, assembly (Spares condition)										1	—	C	
	10-20 WE 3614A	STRUT , skin support, outboard of outboard manhole at stringer No. 7, Starboard, assembly (For spares use 10-20 WE 5948A/ND)										1	—	—	LH47
10737	10-20 WE 5948A/ND	STRUT , skin support, outboard of outboard manhole at stringer No. 7, Starboard, assembly (Spares condition)										1	—	C	
	28D/15711 A59/6E 28D/16541 A59/5G 28M/1011467 A27/ES 28M/13122 A27/GS 28P/9429528 SP.9/C8 28W/9419405 SP.15/E 28W/9419476 SP.15/G	Attachments for 10-20 WE 3613A or 10-20 WE 3614A, Strut :— Bolt, 1/4" BSF 1 Bolt, 1/8" BSF 1 Nut, 1/4" BSF 1 Nut, 1/8" BSF 1 Pin, split 2 Washer 1 Washer 1										1 1 1 1 2 1 1	— — — — — — —	C C C C C C C	
	—	TRACK , No. 4, flap shroud, group (Drg. No. 10-20 WE 4001) Spares for :—										1	—	—	
	10-20 WE 3997	ANGLE , stiffener at reinforcing plate, Port, 20 SWG										1	L.72	LM	LH48
	10-20 WE 3998	ANGLE , stiffener, at reinforcing plate, Starboard, 20 SWG										1	L.72	LM	LH48
	10-20 WE 4137	BRACKET , 'P' clip, at rear spar, Port, 20 SWG										2	L.72	LM	LH48
	10-20 WE 4138	BRACKET , 'P' clip, at rear spar, Starboard, 20 SWG										2	L.72	LM	LH48

MAIN PLANES
WING EXTENSION

Ref. No.	Part No.	Description										No. off	Material Specification	Class of Store or L.M.	Plate No.
		1	2	3	4	5	6	7	8	9	10				
	10-20 WE 4139A	CONDUIT, assembly										1	—	—	LH48
	10-20 WE 4143ND	PLATE, end, 22 SWG										1	L.59	LM	LH48
	10-20 WE 4141ND	TUBE, 1/2" o/d x 22 SWG x 5'-8" long ...										1	L.56	LM	LH48
		Attachments for 10-20 WE 4139A, Conduit :—													
28E/9435723	AS.3181/8B	Clip, "P"										1	—	C	
28M/10287	AGS.2001/B/1	Nut, 4 BA										1	—	C	
28S/9992522	A32/B16	Screw, 4 BA										1	—	C	
	10 WC 5803	DIAPHRAGM, No. 1, between track rib and shroud rib, Port, 18 SWG										1	L.72	—	LH48
	10 WC 5804	DIAPHRAGM, No. 1 between track rib and shroud rib, Starboard, 18 SWG										1	L.72	—	LH48
	10-20 WE 3871	GUSSET, at rear spar, bottom Port, top Starboard, 16 SWG										2	L.73	LM	LH48
	10-20 WE 3872	GUSSET, at rear spar, top Port, bottom Starboard, 16 SWG										2	L.73	LM	LH48
		Attachments for 10-20 WE 3871 or 10-20 WE 3872, Gusset :—													
1660	DHS.358/4C	Bolt, 2 BA										2	—	C	
15549	DHS.1063/3 1/2 E	Bolt, 1" BSF										4	—	C	
28M/1006473	A27/CT	Nut, 2 BA										2	—	C	
2227	DHS.983/E	Nut, 1" BSF										4	—	C	
28W/9419402	SP.13/C	Washer										2	—	C	
28M/9435068	AGS.2008/E/1	NUT, anchor, 1/2" BSF, gear box attachment										1	—	C	
	10-20 WE 6455A	PLATE, support, flap gear box No. 4, Port, assembly										1	—	—	LH48
	10-20 WE 6456A	PLATE, support, flap gear box No. 4, Starboard, assembly										1	—	—	LH48
		Attachments for 10-20 WE 6455A or 10-20 WE 6456A, Plate :—													
28D/16002	A61/2E	Bolt, 1" BSF										4	—	C	
28M/13376	A29/EP	Nut, 1" BSF										4	—	C	
26DL/5611	DHS.402/E	Seal, bonded										8	—	C	
28W/9419487	SP.16/E	Washer										8	—	C	
	10-20 WE 3513	RIB, No. 7, shroud, between rear spar and diaphragm No. 1, Port, 18 SWG										1	L.72	—	LH48
	10-20 WE 3514	RIB, No. 7, shroud, between rear spar and diaphragm No. 1, Starboard, 18 SWG										1	L.72	—	LH48
		Attachments for 10-20 WE 3513 or 10-20 WE 3514, Rib :—													
28D/16072	A61/3E	Bolt, 1" BSF										1	—	C	
28D/9434866	A61/4E	Bolt, 1" BSF										3	—	C	
28D/9434867	A61/4G	Bolt, 3/8" BSF										1	—	C	
28D/16643	A61/5G	Bolt, 1/2" BSF										1	—	C	
28M/13717	A29/GP	Nut, 3/8" BSF										2	—	C	
2259	DHS.402/G	Seal, bonded										2	—	C	
28W/9419488	SP.16/G	Washer										2	—	C	
	10-20 WE 5781A	RIB, track No. 4, Port, assembly										1	—	—	LH48
	10-20 WE 5782A	RIB, track No. 4, Starboard, assembly										1	—	—	LH48

MAIN PLANES
WING EXTENSION

Ref. No.	Part No.	Description	No. off	Material Specification	Class of Store or L.M.	Plate No.			
							1	2	3
4598	10-20 WE 3993A	SHROUD , flap track No. 4, Port, assembly	1	—	P	LH48			
4599	10-20 WE 3994A	SHROUD , flap track No. 4, Starboard, assembly Spares for :—	1	—	P	LH48			
	10-20 WE 4097A	BRACKET , sprocket mounting, Port, assembly (For spares use 10-20 WE 5991A/ND)	1	—	—	LH48			
4610	10-20 WE 5591A/ND	BRACKET , sprocket mounting, Port, assembly (Spares condition)	1	—	P				
	10-20 WE 4098A	BRACKET , sprocket, mounting, Starboard, assembly (For spares use 10-20 WE 5592A/ND)	1	—	—	LH48			
4611	10-20 WE 5592A/ND	BRACKET , sprocket mounting, Starboard, assembly (Spares condition) Spares for :—	1	—	P				
28D/12120	AS.1242/16C	BOLT , 2 BA	1	—	C				
28M/1006473	A27/CT	NUT , 2 BA	1	—	C				
	AS.2811/5/125	TUBE , distance, 3/8" o/d x 17 SWG x 1"25 long	1	L.62	LM				
		Attachments for 10-20 WE 4097A or 10-20 WE 4098A, Bracket :—							
28D/1007975	AS.1242/1C	Bolt , 2 BA	1	—	C				
28D/9709461	AS.1242/3C	Bolt , 2 BA	1	—	C				
28D/1013173	AS.1242/10C	Bolt , 2 BA	2	—	C				
28M/1006473	A27/CT	Nut , 2 BA	4	—	C				
	10-20 WC 15911	Washer , tapered, 12 SWG	1	L.73	LM	LH48			
	10 WC 5731	DIAPHRAGM , No. 2, Port, 20 SWG	1	L.72	LM	LH48			
	10 WC 5732	DIAPHRAGM , No. 2, Starboard, 20 SWG	1	L.72	LM	LH48			
	10 WC 5727	DIAPHRAGM , No. 3, Port, 20 SWG	1	L.72	LM	LH48			
	10 WC 5728	DIAPHRAGM , No. 3, Starboard, 20 SWG	1	L.72	LM	LH48			
	10 WC 5917A	FAIRING , flap shroud, Port, assembly (For spares use 10-20 WC 27735A/ND)	1	—	—	LH48			
12606	10-20 WC 27735A/ND	FAIRING , flap shroud, Port, assembly (Spare condition)	1	—	P				
	10 WC 5918A	FAIRING , flap shroud, Starboard, assembly (For spares use 10-20 WC 27736A/ND)	1	—	—	LH48			
12607	10-20 WC 27736A/ND	FAIRING , flap shroud, Starboard, assembly (Spares condition)	1	—	P				
	10-20 WE 3959A	PLATE , top cover, Port, assembly	1	—	—	LH48			
	10-20 WE 3960A	PLATE , top cover, Starboard, assembly Spares for :—	1	—	—	LH48			
	10-20 WE 4081A/ND	STIFFENER , and plate, Port, assembly	1	—	LM	LH48			
	10-20 WE 4082A/ND	STIFFENER , and plate, Starboard, assembly	1	—	LM	LH48			
	10-20 WE 235	PLATE , 18 SWG	1	L.73	LM	LH48			
	10-20 WE 3949ND	STIFFENER , Port (Make from standard section J.2075, Ref. No. 3771), 16 SWG	1	L.72	LM	LH48			
	10-20 WE 3950ND	STIFFENER , Starboard (Make from standard section J.2075, Ref. No. 3771), 16 SWG	1	L.72	LM	LH48			

MAIN PLANES
WING EXTENSION

Ref. No.	Part No.	Description										No. off	Material Specification	Class of Store or L.M.	Plate No.	
		1	2	3	4	5	6	7	8	9	10					
4616	10-20 WE 4007											PLATE, trailing edge, Port, 18 SWG ...	1	L.72	C	LH48
4617	10-20 WE 4008											PLATE, trailing edge, Starboard, 18 SWG	1	L.72	C	LH48
												Attachments for 10-20 WE 4007 or 10-20 WE 4008, Plate :—				
	1007975 28D/8306 AS.1242/1C											Bolt, 2 BA	3	—	C	
	10 WC 6529A											RIB, No. 7, flap shroud, aft, Port, assembly	1	—	—	LH48
	10 WC 6530A											RIB, No. 7, flap shroud, aft, Starboard, assembly	1	—	—	LH48
	10 WC 8449											BLOCK, packing at trailing edge ...	1	LFS.23	LM	LH48
28M/11957	AGS.2007/C/1											NUT, anchor, 2 BA	1	—	C	
	10 WC 6527ND											PLATE, aft, Port, 18 SWG	1	L.72	LM	LH48
	10 WC 6528ND											PLATE, aft, Starboard, 18 SWG	1	L.72	LM	LH48
	10 WC 6525ND											PLATE, web, Port, 18 SWG	1	L.72	—	LH48
	10 WC 6526ND											PLATE, web, Starboard, 18 SWG	1	L.72	—	LH48
	10-20 WE 3995A/1											RIB, track, outer, Port, assembly (For Spares use 10-20 WE 6511A/ND)	1	—	—	LH48
12981	10-20 WE 6511A/ND											RIB, track, outer, Port, assembly (Spares condition)	1	—	P	
	10-20 WE 3996A/1											RIB, track, outer, Starboard, assembly ... (For Spares use 10-20 WE 6512A/ND)	1	—	—	LH48
12982	10-20 WE 6512A/ND											RIB, track outer, Starboard, assembly (Spares condition)	1	—	P	
	10-20 WE 5961ND											ANGLE, stiffener, Port, 18 SWG	1	L.72	LM	LH48
	10-20 WE 5962ND											ANGLE, stiffener, Starboard, 18 SWG	1	L.72	LM	LH48
	10-20 WE 4005A											TRACK, No. 4 flap, Port, assembly ... (For Spares use 10-20 WE 6661A/ND)	1	—	—	LH48
14591	10-20 WE 6661A/ND											TRACK, No. 4 flap, Port, assembly ... (Spares condition)	1	—	P	
	10-20 WE 4006A											TRACK, No. 4 flap, Starboard, assembly (For Spares use 10-20 WE 6662A/ND)	1	—	—	LH48
14592	10-20 WE 6662A/ND											TRACK, No. 4 flap, Starboard, assembly ... (Spares condition)	1	—	P	
	10-20 WC 51											BRACKET, support, Nos. 1, 2 and 3, Port (For Spares use 10-20 WC 25773ND)	3	—	—	LH48
4604	10-20 WC 25773ND											BRACKET, support, Nos. 1, 2 and 3, Port (Spares condition)	3	—	C	
	10-20 WC 52											BRACKET, support, Nos. 1, 2 and 3, Starboard (For Spares use 10-20 WC 25774ND)	3	—	—	LH48
4605	10-20 WC 25774ND											BRACKET, support, Nos. 1, 2 and 3, Starboard (Spares condition)	3	—	C	
	10-20 WC 47											BRACKET, support No. 4, Port ... (For Spares use 10-20 WC 25777ND)	1	—	—	LH48
4606	10-20 WC 25777ND											BRACKET, support No. 4, Port ... (Spares condition)	1	—	C	
	10-20 WC 48											BRACKET, support No. 4, Starboard ... (For Spares use 10-20 WC 25778ND)	1	—	—	LH48

**MAIN PLANES
WING EXTENSION**

Ref. No.	Part No.	Description	No. off	Material Specification	Class of Store or L.M.	Plate No.			
							1	2	3
4607	10-20 WC 25778ND	BRACKET , support No. 4, Starboard ... (Spares condition)	1	—	C				
	10 WC 8795	PACKING , tapered	1	LFS.23	LM	LH48			
	10-20 WE 3947A	PLATE , bottom, Port, assembly... ..	1	—	—	LH48			
	10-20 WE 3948A	PLATE , bottom, Starboard, assembly ... Spares for :—	1	—	—	LH48			
	10-20 WE 4079A/ND	STIFFENER , aileron shroud, complete with gusset plate, Port, assembly	1	—	LM	LH48			
	10-20 WE 4080A/ND	STIFFENER , aileron shroud, complete with gusset plate, Starboard, assembly Spares for :—	1	—	LM	LH48			
	10-20 WE 235	PLATE , gusset, 18 SWG	1	L.73	LM	LH48			
	10-20 WE 3939ND	STIFFENER , Port (Make from standard section J.2076, Ref. No. 26FY/2745)	1	L.72	LM	LH48			
	10-20 WE 3940ND	STIFFENER , Starboard (Make from standard section J.2076, Ref. No. 26FY/2745)	1	L.72	LM	LH48			
	10-20 WC 21037	TRACK , No. 4 flap, Port (For Spares use 10-20 WE 28799ND)	1	—	—	LH48			
13391	10-20 WC 28799ND	TRACK , No. 4 flap, Port (Spares condition)	1	—	P				
	10-20 WC 21038	TRACK , No. 4 flap, Starboard (For Spares use 10-20 WC 28800ND)	1	—	—	LH48			
13392	10-20 WC 28800ND	TRACK , No. 4 flap, Starboard (Spares condition) Attachments for 10-20 WC 21037 or 10-20 WC 21038, Track :—	1	—	P				
28D/8307	AS.1242/2C	Bolt, 2 BA	12	—	C				
28M/13124 100 by T3	A27/CT	Nut, 2 BA	12	—	C				
4612	10 WC 5881A	TUBE , flap chain guard, Port, assembly ...	1	—	P	LH48			
4613	10 WC 5882A	TUBE , flap chain guard, Starboard, assembly Spares for :—	1	—	P	LH48			
	10 WC 5947ND	CLIP , 16 SWG	1	L.72	LM	LH48			
28M/12421	AGS.2018/C/1	NUT , anchor, 2 BA	1	—	C				
	10 WC 5949ND	PACKING , 16 SWG Attachments for 10 WC 5881A or 10 WC 5882A, Tube :—	1	L.72	LM	LH48			
28D/9133011	A25/2C	Bolt, 2 BA	1	—	C				
	10 WC 6313	STIFFENER , at rear spar, 20 SWG ...	1	L.72	LM	LH48			
	—	VALVES , water drain on rib No. 4A, Port and Starboard, group (Drg. Nos. 10-20 P 1217 and 10-20 P 1218)	1	—	—	LH56			
	10-20 N 6793A	BRACKET , angle, 'P' clip mounting, assembly	1	—	—	LH56			
	10-20 N 6791ND	BRACKET , 18 SWG	1	L.72	LM	LH56			
28M/13774	AGS.2019/B/1	NUT , anchor, 4 BA	1	—	C				

MAIN PLANES
WING EXTENSION

Ref. No.	Part No.	Description	No. off	Material Specification	Class of Store or L.M.	Plate No.			
							1	2	3
16846	10-20 P 8095A	VALVE, water drain, at main and rear spars, assembly	2	—	P	LH56			
14278	10-20 P 3831	CAM, insert	1	—	C	LH56			
5501	10-20 P 2365	HOUSING	1	—	C	LH56			
28P/9527619	SP.90/C7	PIN, split (SP.9.C8)	1	—	C				
28S/1013561	A55/B4	SCREW, grub, 4 BA	1	—	C				
16806	10-20 P 8087A	SPINDLE, assembly	1	—	C	LH56			
5503	10-20 P 2321	SPRING	1	—	C	LH56			
Attachments for 10-20 P 8095A, Valve :—									
28D/1200119	A25/4C	Bolt, 2 BA, at main spar at rear spar	2	—	C				
11740	10-20 P 1181	Bolt, 2 BA, upper, at main spar	2	—	C	LH56			
28M/10288	AGS.2001/C/1	Nut, 2 BA	4	—	C				
27QA/431	DOWTY SP.910A/23	Ring, sealing, "O" type	1	—	C	LH56			
26DL/5456	DHS.402 C	Seal, bonded	4	—	C	LH56			
28W/9419402	SP.13 C	Washer	4	—	C				
Attachments for 10-20 WE 5281A/4, or 10-20 WE 5282A/6, Extension Wing Structure :—(Drg. Nos. 10-20 G 13 and 10-20 G 65)									
341 28D/1008145	A25/1C/DHS.514/D	Bolt, 2 BA (Alternative S21/A25/1C)	2	—	C				
28D/1008145	A25/6E	Bolt, 2 BA	1	—	C				
28D/1008145 8289	A25/46E	Bolt, 1" B&F	1	—	C				
8289	10-20 G 73	Bolt, special trailing edge hinge bracket	1	—	C	LH55			
28N/9156370	SP.21	Nipple, lubrication	1	—	C				
28M/5808573	A27/CS	Nut, 2 BA	1	—	C				
28M/1007403	A27/ET	Nut, 1" B&F	1	—	C				
28M/13935	A58/ES	Nut, 1" B&F	3	—	C				
16016	10-20 G 603	Nut, special	2	—	C	LH55			
8290	10-20 G 75	Nut, special	1	—	C	LH55			
16014	10-20 G 599A	Pin, hinge, assembly	2	—	P	LH55			
Spares for :—									
28N/9156370	SP.21	Nipple, lubrication	1	—	C				
15453	10-20 WC 30275	Pin, joint	1	—	C	LH55			
28P/9527619	SP.90/C7	Pin, split (SP.9.C8)	6	—	C				
8283	10-20 G 47	Plate, locking	2	—	C	LH55			
11885	10-20 WC 25391	Plate, striker, base	6	—	C	LH55			
11884	10-20 WC 25389	Plate, striker, top	6	—	C	LH55			
Note—supplied as a matched pair									
Attachments for 10-20 WC 25391 or 10-20 WC 25389, Plate (Per pair) :—									
6389	DHS.365/1/C	Bolt, 2 BA	2	—	C				
8279	10-20 W 29	Plug-end	1	—	C	LH55			
8280	10-20 W 31	Plug-end	1	—	C	LH55			
27QA/281	DOWTY SP.900/B15	Ring, sealing, "O" type	1	—	C	LH55			
8291	10-20 WE 5161A	Striker, Port, assembly	1	—	C	LH55			
8292	10-20 WE 5162A	Striker, Starboard, assembly	1	—	C	LH55			
Spares for :—									
28D/1008145 1214033	AS.1242/11C	Bolt, 2 BA	1	—	C				
28D/1008145	10-20 WE 5165	Bush	1	—	C	LH55			
28M/5808573	A27/CS	Nut, 2 BA	1	—	C				
28P/9527619	SP.90/C7	Pin, split (SP.9.C8)	1	—	C				
	10-20 WE 5167	Roller	1	—	C	LH55			
28W/1200071	SP.23/C	Washer	1	—	C				

**MAIN PLANES
WING EXTENSION**

Ref. No.	Part No.	Description	No. off	Material Specification	Class of Store or L.M.	Plate No.			
							1	2	3
		Attachments for 10-20 WE 5161A or 10-20 WE 5162A, Striker :—							
28D/9133012	A25/3C	Bolt, 2 BA	1	—	C				
1792	DHS.365/3C	Bolt, 2 BA	1	—	C				
28M/10288	AGS.2001/C/1	Nut, 2 BA	2	—	C				
28W/9419475	SP.15/C	Washer	2	—	C				
8285	10-20 G 49 OR	Washer, distance †	4	—	C	LH55			
8286	10-20 G 51 OR	Washer, distance †	4	—	C	LH55			
8287	10-20 G 53 OR	Washer, distance †	4	—	C	LH55			
8288	10-20 G 55	Washer, distance †	4	—	C	LH55			
		† Note :— Select distance washer from above to get permissible gap (0".1 max.) and taper not to exceed 0".005							
14032	10-20 G 567 OR	Washer, distance *	2	—	C	LH55			
14033	10-20 G 569 OR	Washer, distance *	2	—	C	LH55			
14034	10-20 G 571 OR	Washer, distance *	2	—	C	LH55			
14035	10-20 G 573 OR	Washer, distance *	2	—	C	LH55			
14036	10-20 G 575 OR	Washer, distance *	2	—	C	LH55			
20516	10-20 G 629 OR	Washer, distance *	2	—	C	LH55			
20517	10-20 G 631 OR	Washer, distance *	2	—	C	LH55			
20518	10-20 G 633	Washer, distance *	2	—	C	LH55			
		* Note :—Select distance washer from above to get permissible gap (0".01 min-0".04 max.) for front and rear hinges and a gap of 0".01 max. and taper not to exceed 0".005 for front and rear hinges							
16015	10-20 G 601	Washer (Mod. 976)	2	—	C	LH55			
		Note :—Attachments for Ailerons are also supplied with the spares assemblies of the wing-extensions (See sub-section LJ)							
132	S10-20 WE 117	WING-TIP , forward portion, Port (Special spares assembly c/w attachments)	1	—	P	LH49			
133	S10-20 WE 118	WING-TIP , forward portion, Starboard (Special spares assembly c/w attachments)	1	—	P	LH49			
		Spares for :—							
		ELECTRICAL COMPONENTS (See sub-sections EBM and EBP)							
	10-20 WE 5205A	LAMP , navigation, removable, Port, assembly (For spares use 10-20 WE 10481A/ND)	1	—	—	LH49			
18111	10-20 WE 10481A/ND	LAMP , navigation, removable, Port, assembly (Spares condition)	1	—	C				

MAIN PLANES
WING EXTENSION

Ref. No.	Part No.	Description	No. off	Material Specification	Class of Store or L.M.	Place No.			
							1	2	3
	10-20 WE 5206A	LAMP , navigation, removable, Starboard, assembly (For spares use 10-20 WE 10482A/N/D)	1	—	—	LH49			
18112	10-20 WE 10482A/ND	LAMP , navigation, removable, Starboard, assembly (Spares condition) Spares for :—	1	—	C				
2056	10-20 WE 1521ND	DISC , reinforcing, 18 SWG	1	L.73	LM	LH49			
2057	10-20 WE 1515ND	MOUNTING , lamp, L.H.	1	L.73	C	LH49			
28M/9993192	10-20 WE 1516ND	MOUNTING , lamp, R.H.	1	L.73	C	LH49			
	AGS.2009/C/1	NUT , 2 BA, lamp attachment	3	—	C				
	10-20 WE 5203ND	RETAINER , bolt, 22 SWG	1	L.73	LM	LH49			
28D/1010658	A25/1B	Attachments for 10-20 WE 5203ND, Retainer :— Bolt, 4 BA	3	—	C				
	10-20 WE 1509A/ND	SKIN , and edge member, Port, assembly	1	—	—	LH49			
	10-20 WE 1510A/ND	SKIN , and edge member, Starboard, assembly... Attachments for 10-20 WE 5205A or 10-20 WE 5206A, Lamp :—	1	—	—	LH49			
12637	10-20 WE 6097	Bolt, special, threaded 1/4" BSF	1	—	C	LH49			
	10-20 WE 1487A	WING-TIP , forward portion, Port, assembly (Pre Mod. 522)	1	—	—	LH49			
	10-20 WE 1487A/1	WING-TIP , forward portion, Port, assembly (Mod. 522)	1	—	—	LH49			
	10-20 WE 1488A	WING-TIP , forward portion, Starboard, assembly (Pre Mod. 522)	1	—	—	LH49			
	10-20 WE 1488A/1	WING-TIP , forward portion, Starboard, assembly (Mod. 522) Spares for :—	1	—	—	LH49			
7336	10-20 WE 1663A/ND	MASKING and landing, Port, assembly	1	—	C	LH49			
7337	10-20 WE 1664A/ND	MASKING and landing, Starboard, assembly Attachments for 10-20 WE 1663A/ND or 10-20 WE 1664A/ND, Masking :—	1	—	C	LH49			
28D/1007975	AS.1242/1C	Bolt, 2 BA	4	—	C				
28M/10328	AGS.2002/C/1	Nut, 2 BA	4	—	C				
7338	10-20 WE 1493ND OR	MOULDING , perspex, 1/8" thick, Port	1	DTD.339C	C	LH49			
16591	10-20 WE 6943ND	MOULDING , perspex, 3/32" thick, Port	1	DTD.5544	C	LH49			
7339	10-20 WE 1494ND OR	MOULDING , perspex, 1/8" thick, Starboard	1	DTD.339C	C	LH49			
16592	10-20 WE 6944ND	MOULDING , perspex, 3/32" thick, Starboard	1	DTD.5544	C	LH49			
	10-20 WE 1555A	RIB , forward portion, Port, assembly	1	—	—	LH49			
	10-20 WE 1556A	RIB , forward portion, Starboard, assembly Spares for :—	1	—	—	LH49			
4434253 28M/42455	AGS.2007/B/1	NUT , 4 BA	2	—	C				
28M/9435560	AGS.2007/E/1	NUT , 1/2" BSF	1	—	C				
	10-20 WE 1505A/ND	SKIN , complete with reinforcing, Port, assembly	1	—	—	LH49			
	10-20 WE 1506A/ND	SKIN , complete with reinforcing, Starboard, assembly Spares for :—	1	—	—	LH49			
	10-20 WE 1501ND	STRIP , reinforcing, top, aft, 17 SWG	1	L.72	LM	LH49			
	10-20 WE 5001ND	STRIP , reinforcing, bottom, aft, 17 SWG	1	L.72	LM	LH49			
	10-20 WE 1497ND	STRIP , reinforcing, top, inboard, 17 SWG	1	L.72	LM	LH49			
	10-20 WE 1498ND	STRIP , reinforcing, bottom, inboard, 17 SWG	1	L.72	LM	LH49			

MAIN PLANES
WING EXTENSION

Ref. No.	Part No.	Description	No. off	Material Specification	Class of Store or L.M.	Plate No.			
							1	2	3
		Attachments for 10-20 WE 1487A, 10-20 WE 1487A/1, 10-20 WE 1488A or 10-20 WE 1488A/1. Wing-tip :-							
28D/9436920	A25/1C	Bolt, 2 BA	2	—	C				
28D/13461	AS.3297/2C	Bolt, 2 BA	26	—	C				
28W/9414902	SP.13/C	Washer	2	—	C				
65	S10-20 WE 103	WING-TIP, aft portion, Port, (Special spares assembly c/w attachments)	1	—	P	LH49			
66	S10-20 WE 104	WING-TIP, aft portion, Starboard, (Special spares assembly c/w attachments)	1	—	P	LH49			
	—	Spares for :-							
		ELECTRICAL COMPONENTS (See sub-sections EBM and EBP)							
	10-20 WE 3969A	WING-TIP, aft portion, Port, assembly (Pre Mod. 522)	1	—	—	LH49			
	10-20 WE 3969A/1	WING-TIP, aft portion, Port, assembly (Mod. 522)	1	—	—	LH49			
	10-20 WE 3970A	WING-TIP, aft portion, Starboard, assembly (Pre Mod. 522)	1	—	—	LH49			
	10-20 WE 3970A/1	WING-TIP, aft portion, Starboard, assembly (Mod. 522)	1	—	—	LH49			
		Spares for :-							
	10-20 WE 3531	COVER, handhole, 13 SWG	1	L.72	LM	LH49			
		Attachments for 10-20 WE 3531, Cover :-							
28D/8307	AS.1242/2C	Bolt, 2 BA	6	—	C				
28M/9993192	AGS.2009/C/1	Nut, 2 BA	6	—	C				
4921	DHS.877/C/18	Plate, packing, under nuts, 16 SWG	6	—	C				
		Attachments for 10-20 WE 3969A, 10-20 WE 3969A/1, 10-20 WE 3970A or 10-20 WE 3970A/1, Wing-tip :-							
28D/9436920	A25/1C	Bolt, 2 BA	1	—	C				
28D/9133011	A25/2C	Bolt, 2 BA	2	—	C				
28D/13132	AS.3297/1C	Bolt, 2 BA	3	—	C				
28D/13461	AS.3297/2C	Bolt, 2 BA	26	—	C				
28W/9419402	SP.13/C	Washer	3	—	C				

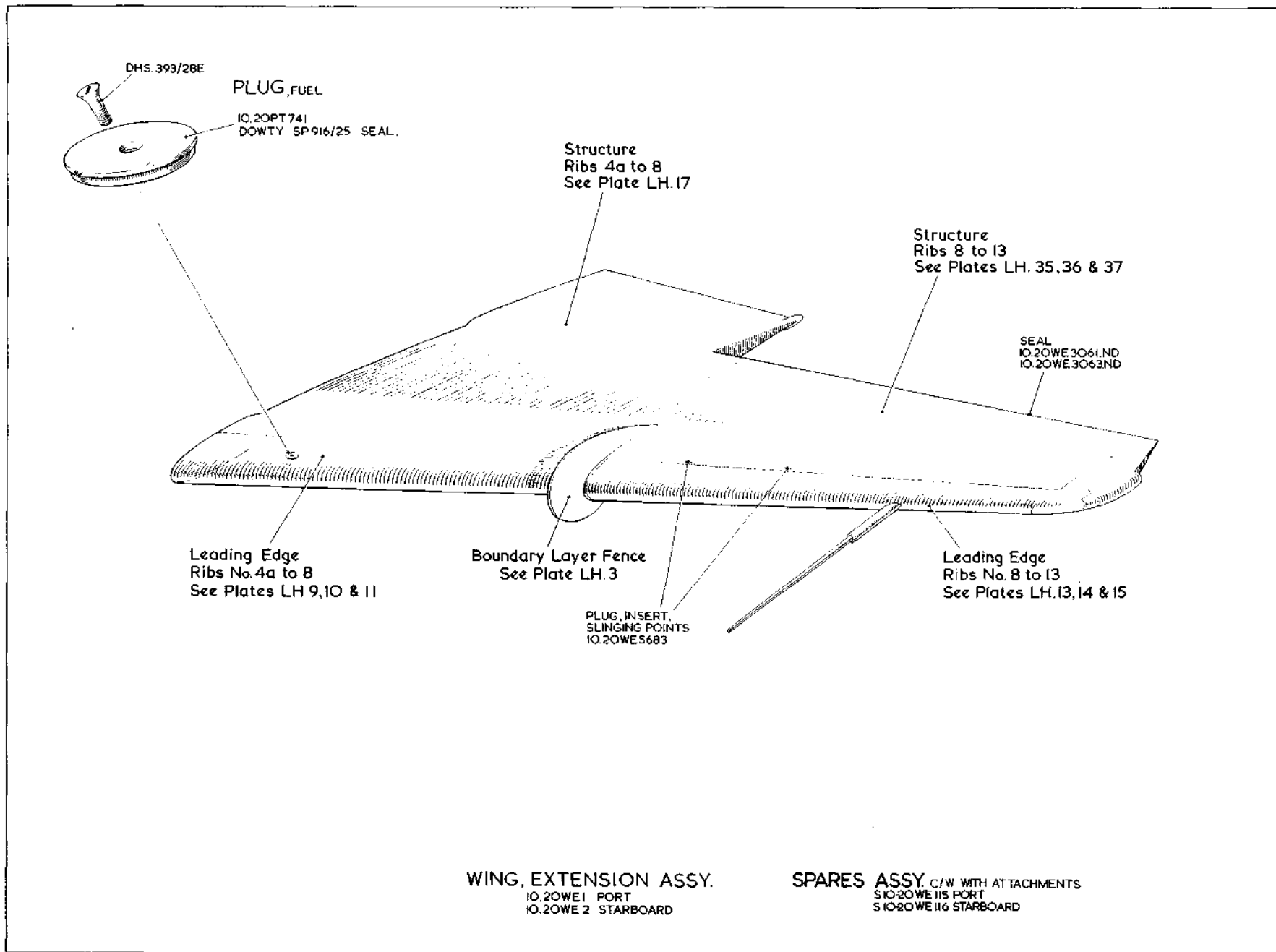
LH.1

MAIN PLANE

WING, EXTENSION

RESTRICTED

LH.1
(ALL S&B)



PLUG, FUEL

10.20PT741
DOWTY SP916/25 SEAL.

Structure
Ribs 4a to 8
See Plate LH.17

Structure
Ribs 8 to 13
See Plates LH. 35, 36 & 37

SEAL
10.20WE3061.ND
10.20WE3063.ND

Leading Edge
Ribs No. 4a to 8
See Plates LH 9, 10 & 11

Boundary Layer Fence
See Plate LH. 3

Leading Edge
Ribs No. 8 to 13
See Plates LH. 13, 14 & 15

PLUG, INSERT,
SLINGING POINTS
10.20WE5683

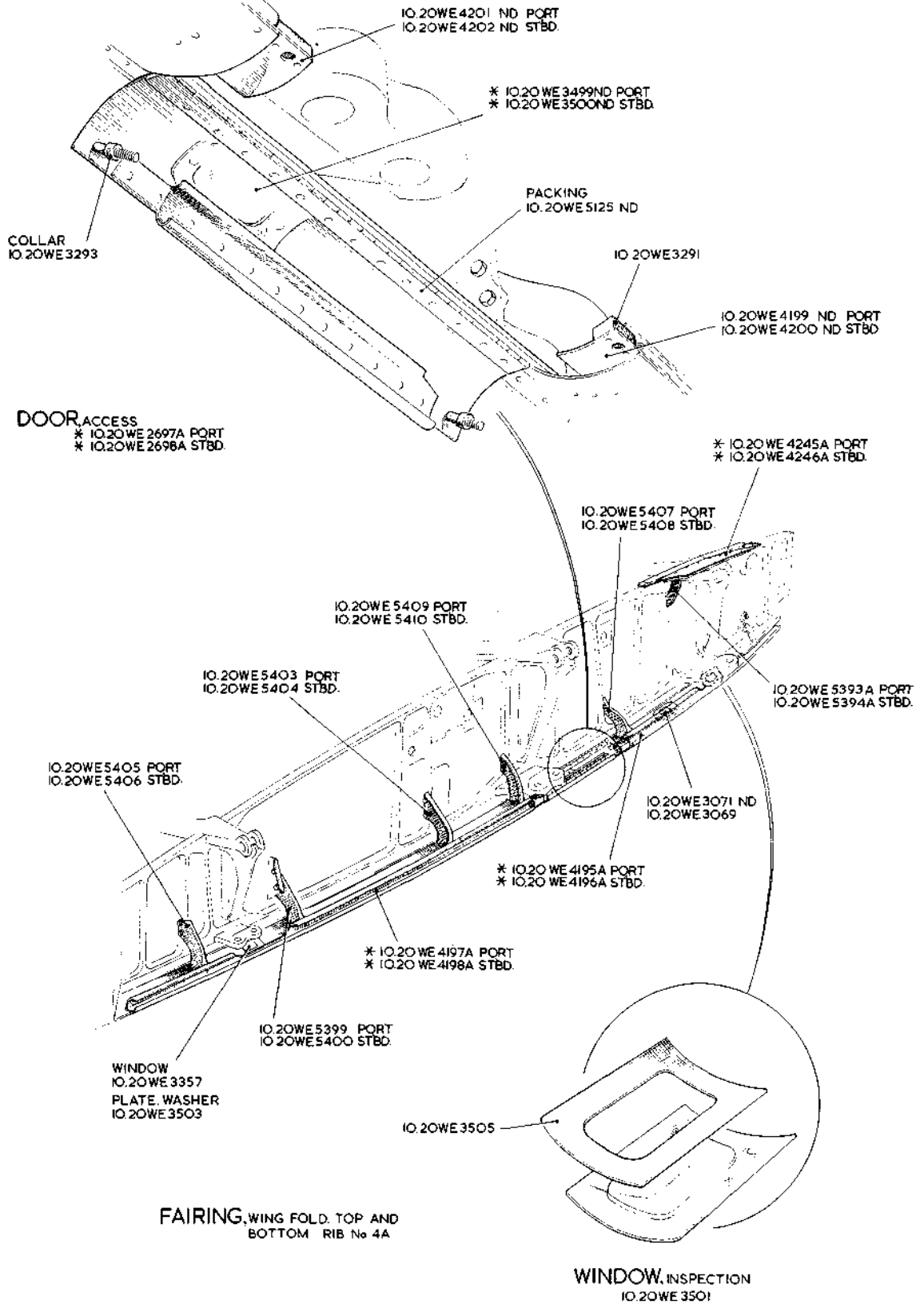
WING, EXTENSION ASSY.

- 10.20WE1 PORT
- 10.20WE 2 STARBOARD

SPARES ASSY. C/W WITH ATTACHMENTS

- S 10.20WE 115 PORT
- S 10.20WE 116 STARBOARD

SEE TEXT FOR SPARES CONDITION
OF ITEMS MARKED THUS: *



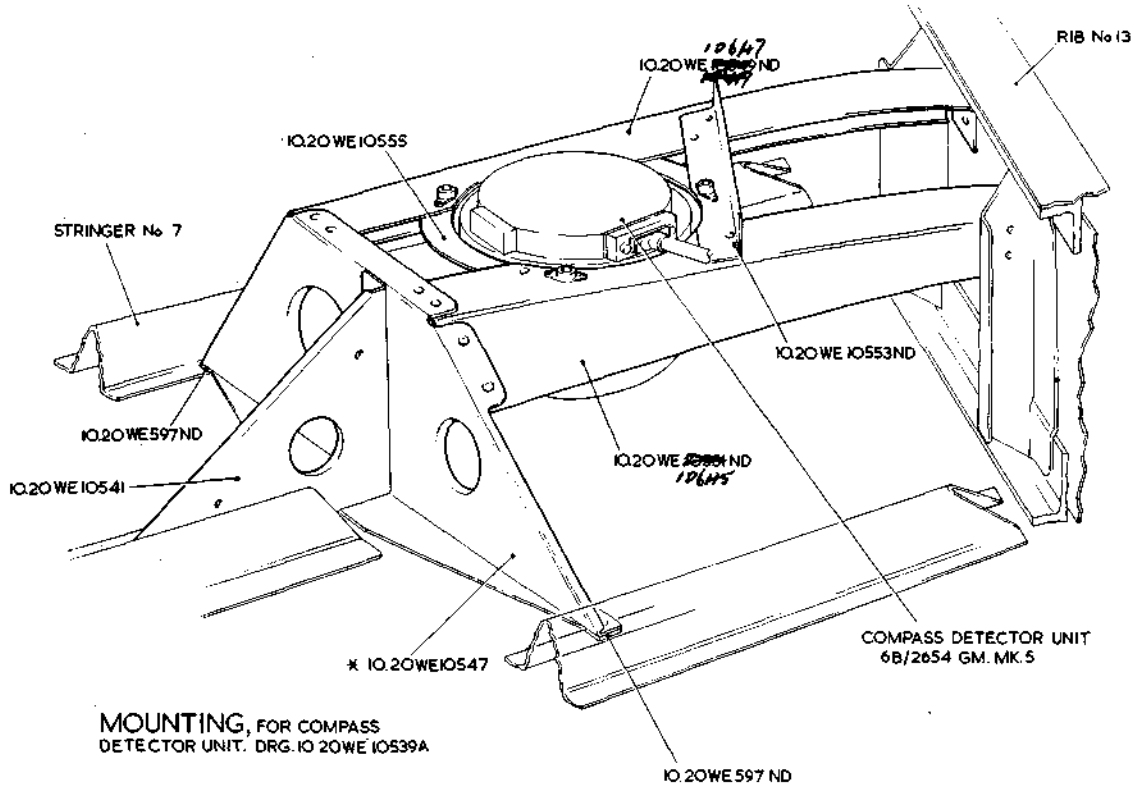
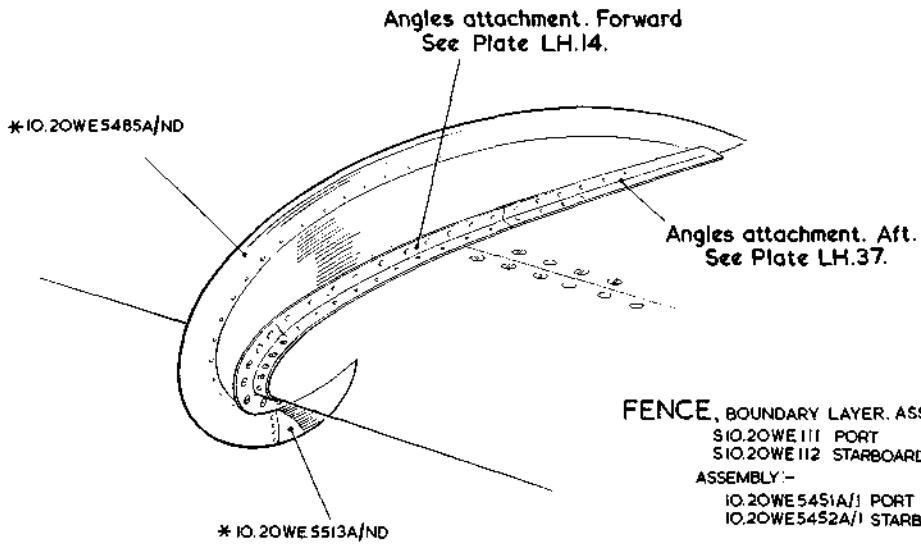
LH.2

MAIN PLANE WING, EXTENSION

LH.2

(AL 58)

SEE TEXT FOR SPARES CONDITION
OF ITEMS MARKED THUS: - *



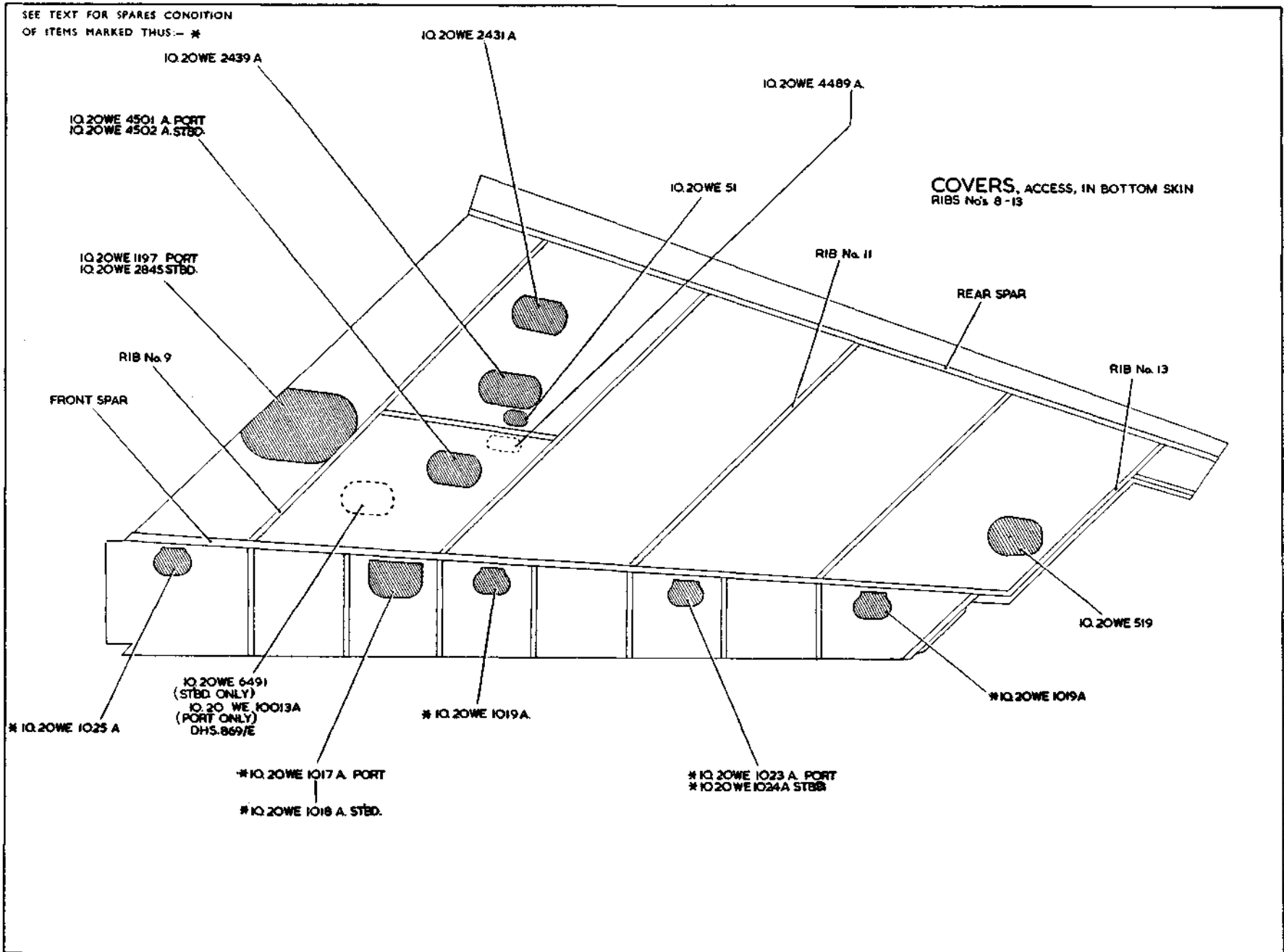
LH.3

MAIN PLANE

LH.3

WING, EXTENSION

[A.L.66]



LH.4

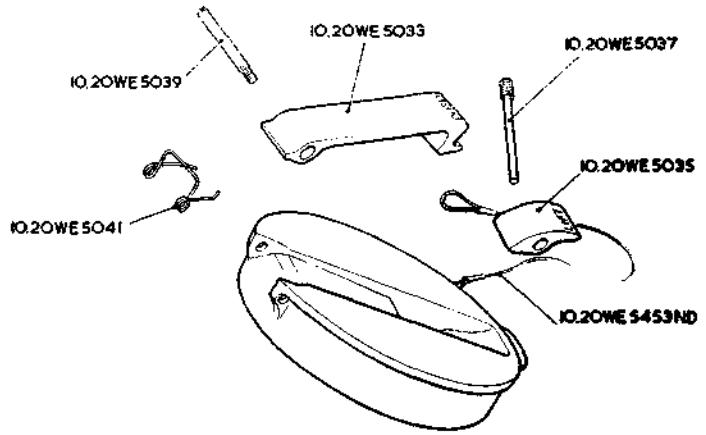
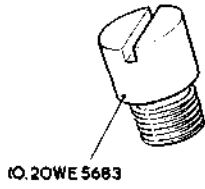
MAIN PLANE WING, EXTENSION

RESTRICTED

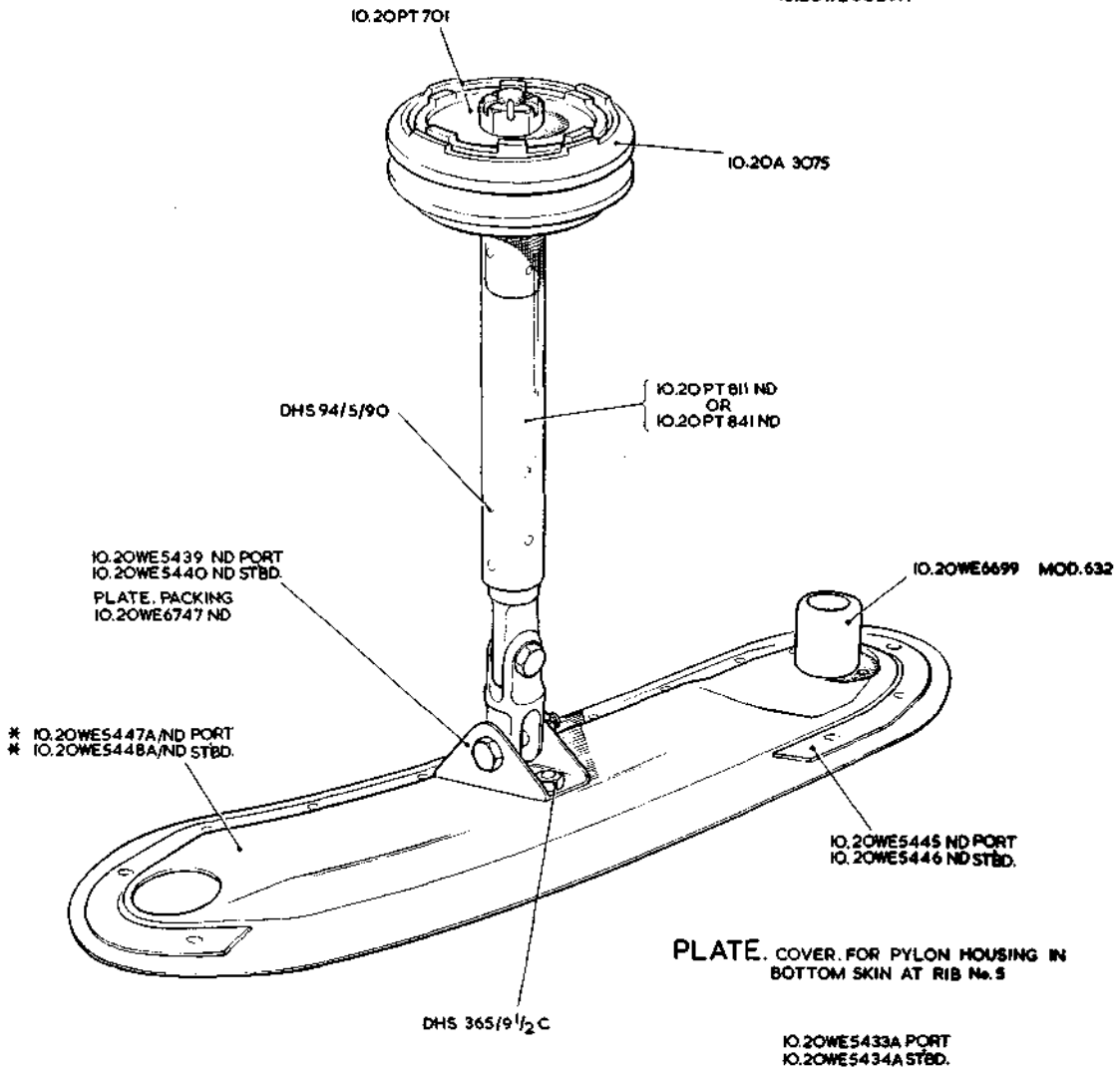
LH.4 [A. 54]

SEE TEXT FOR SPARES CONDITION OF ITEMS MARKED THUS:- *

PLUG, INSERT



CAP. ACCESS ASSY.
IO.20WE 5029A



LH.5

MAIN PLANE WING, EXTENSION

LH.5
[A.L. 63]

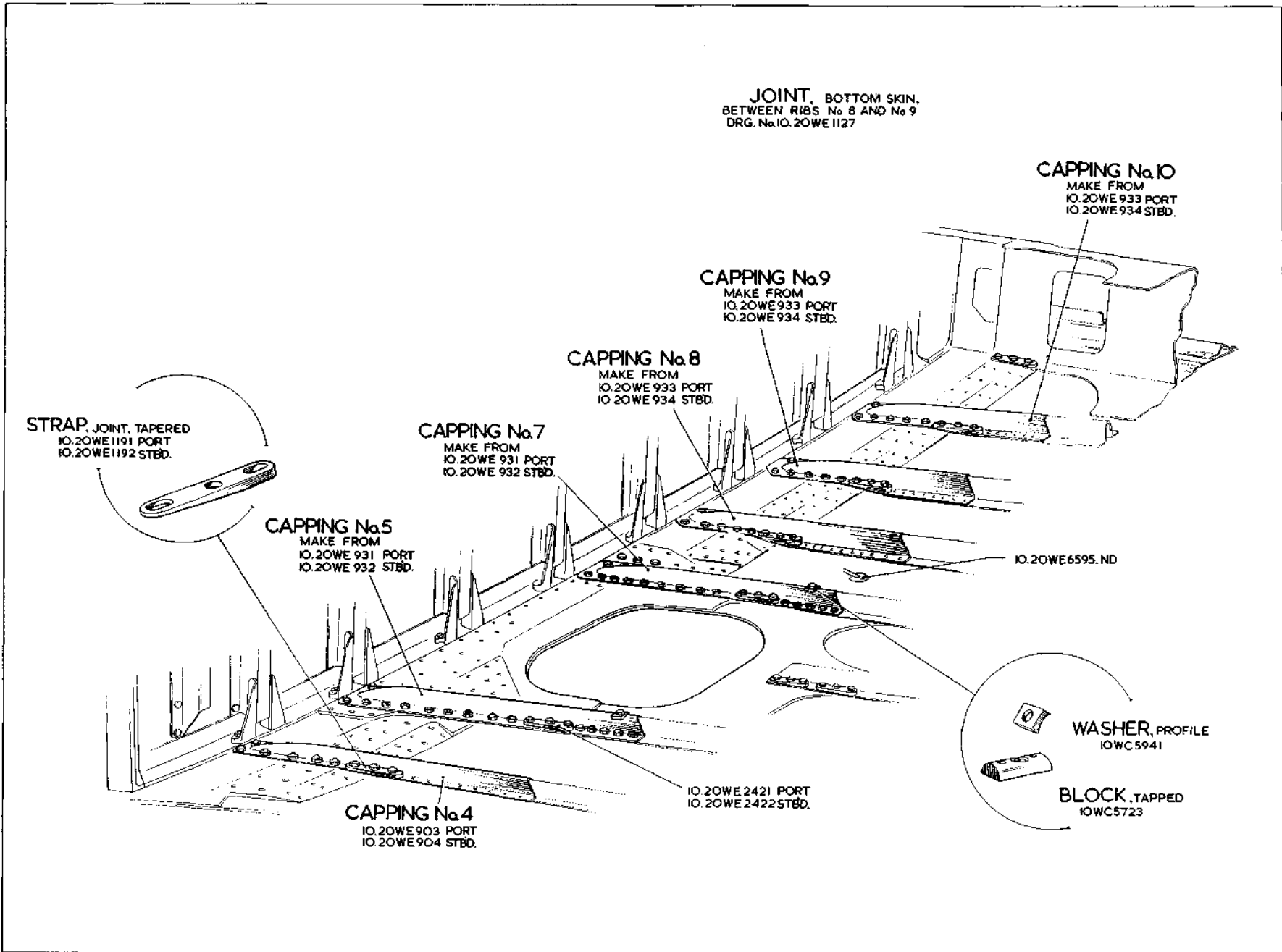
LH.6

MAIN PLANE

LH.6
[A. 58]

WING, EXTENSION

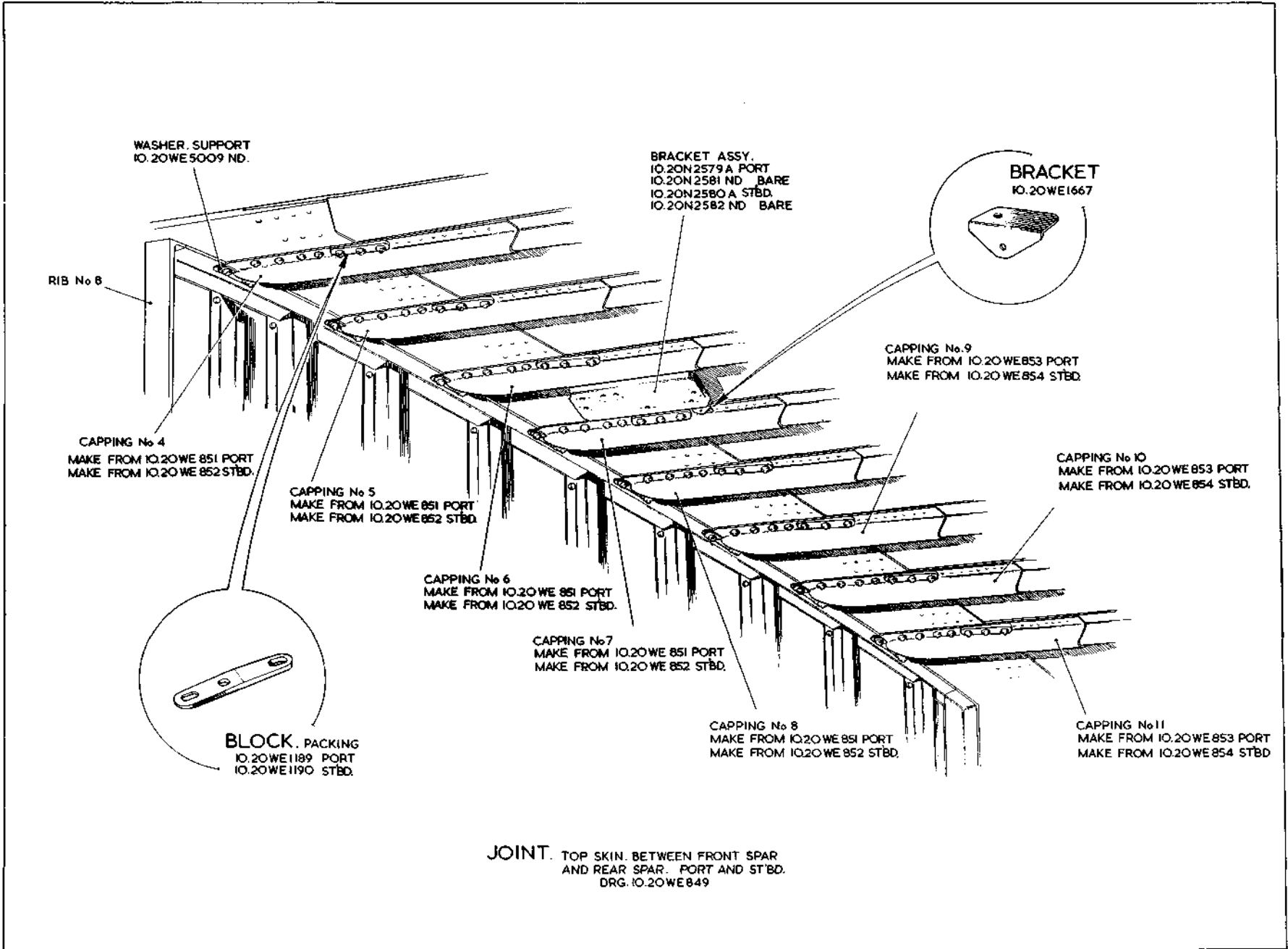
RESTRICTED



LH.7

**MAIN PLANE
WING, EXTENSION**

RESTRICTED

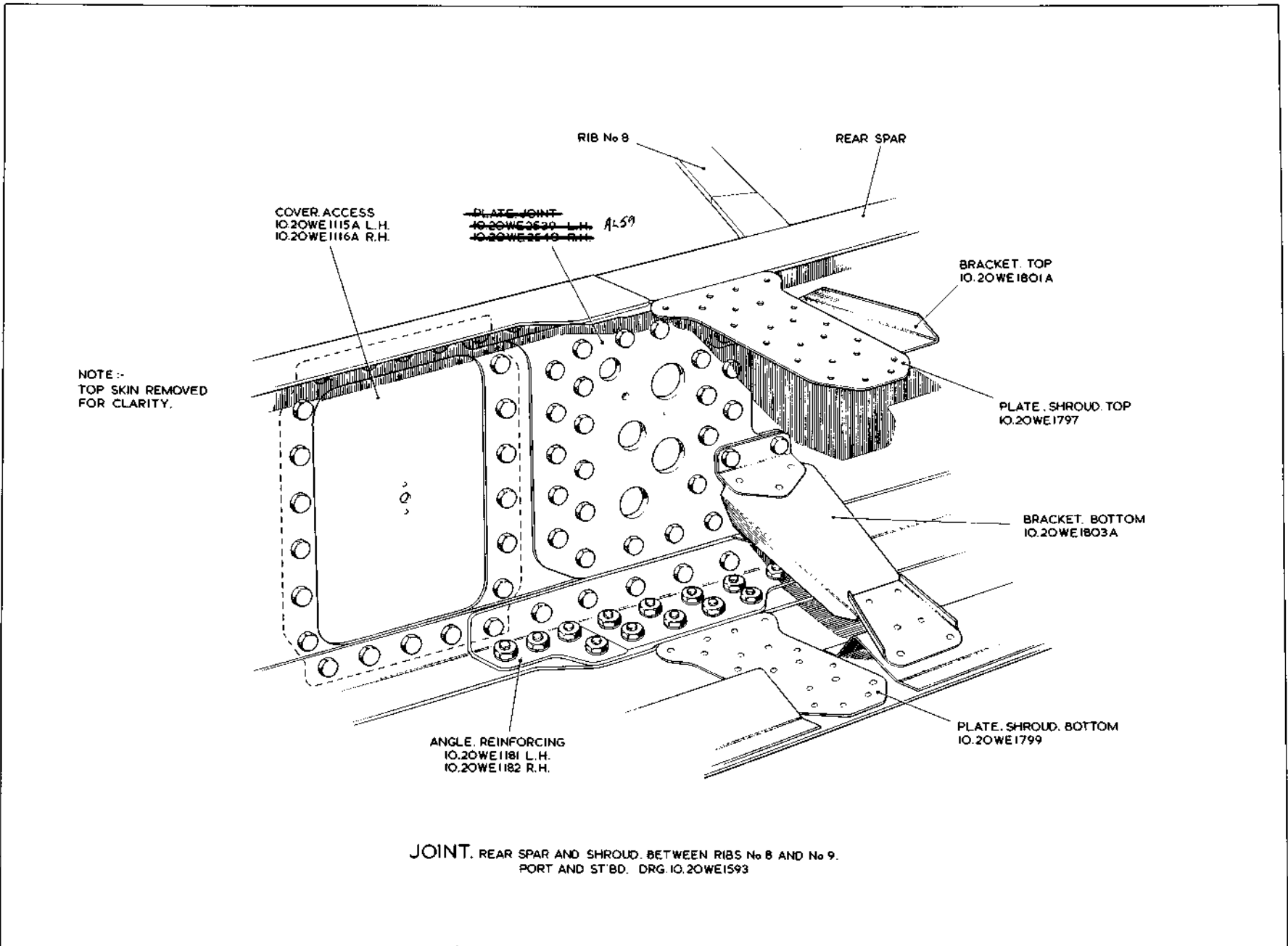


See Vixen Hk. 1

RESTRICTED

Platé LH.7

LH.7
[A.56]



NOTE:-
TOP SKIN REMOVED
FOR CLARITY.

JOINT, REAR SPAR AND SHROUD, BETWEEN RIBS No 8 AND No 9.
PORT AND ST'BD. DRG. IO.20WE1593

LH.8

MAIN PLANE

WING, EXTENSION

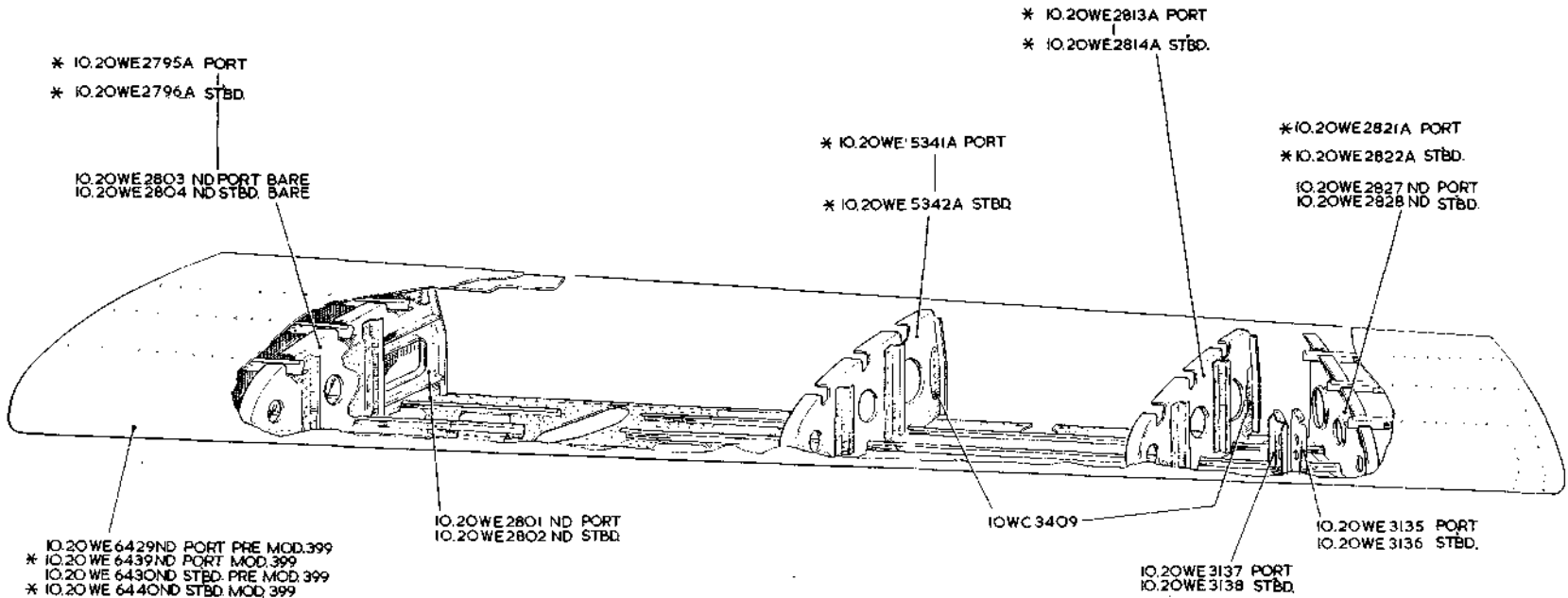
RESTRICTED

LH.8

LH.9

MAIN PLANE
WING, EXTENSION

SEE TEXT FOR SPARES CONDITION
OF ITEMS MARKED THUS:- *

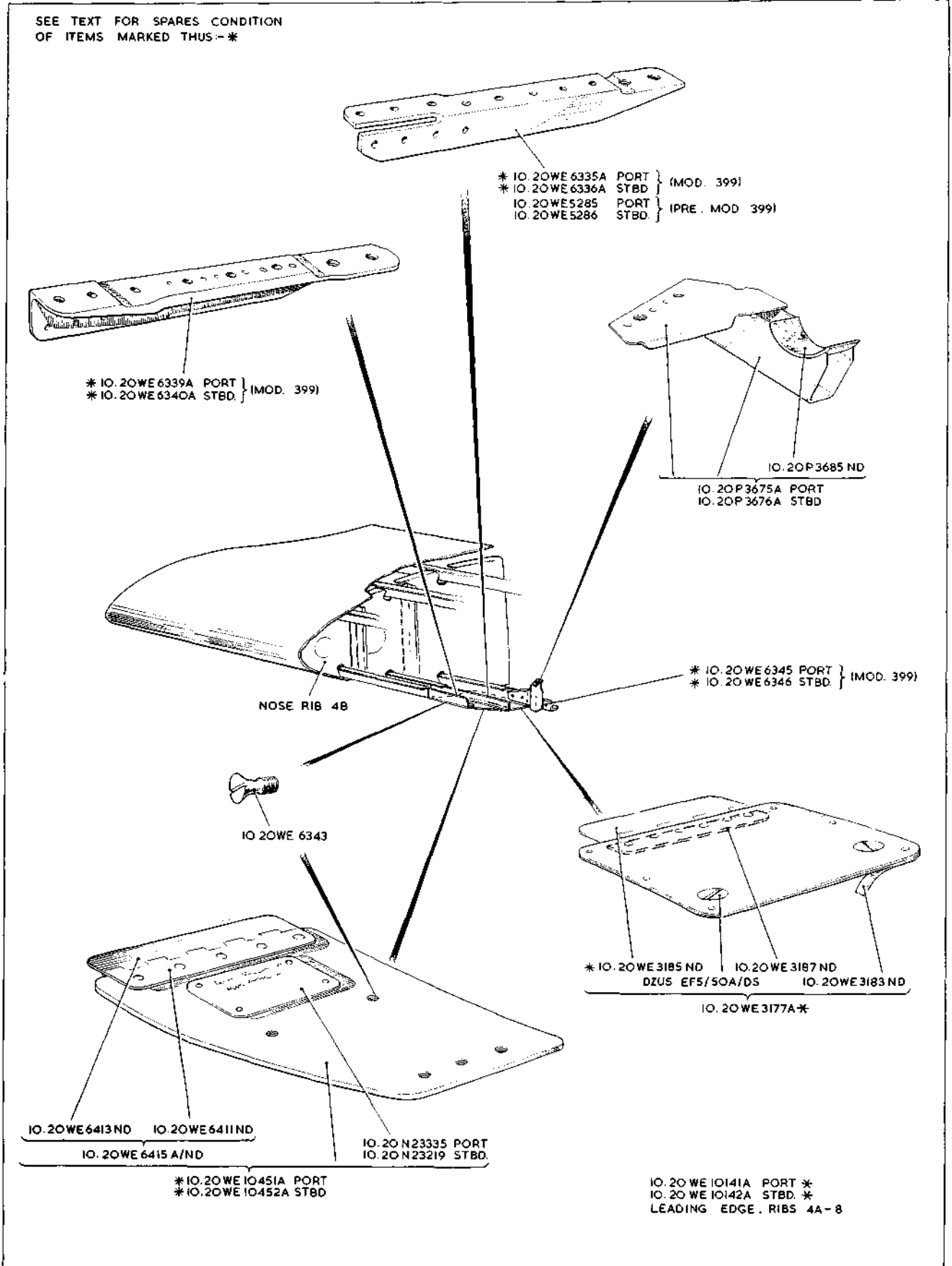


LEADING EDGE, RIBS No 4A TO B

PORT ASSEMBLIES:-
* IO.2OWE 5299A PRE MOD.399
* IO.2OWE 6313A MOD.399 PRE MOD.827

STARBOARD ASSEMBLIES:-
* IO.2OWE 5300A PRE MOD.399
* IO.2OWE 6314A MOD.399 PRE MOD.827

SEE TEXT FOR SPARES CONDITION OF ITEMS MARKED THUS - *



LH.10

MAIN PLANE

LH.10

WING, EXTENSION

[A.L.73]

LH.11

MAIN PLANES

WING, EXTENSION

RESTRICTED

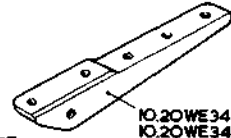
SEE TEXT FOR SPARES CONDITION OF ITEMS MARKED THUS: *

BRACKET, STRINGER ATTACHMENT
IO.20WE2835
IO.20WE2836

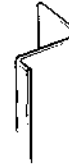
SIMILAR ITEMS
IO.20WE6419
IO.20WE6420
IO.20WE2219
IO.20WE2220



IO.20WE3467 PORT
IO.20WE3468 STBD.

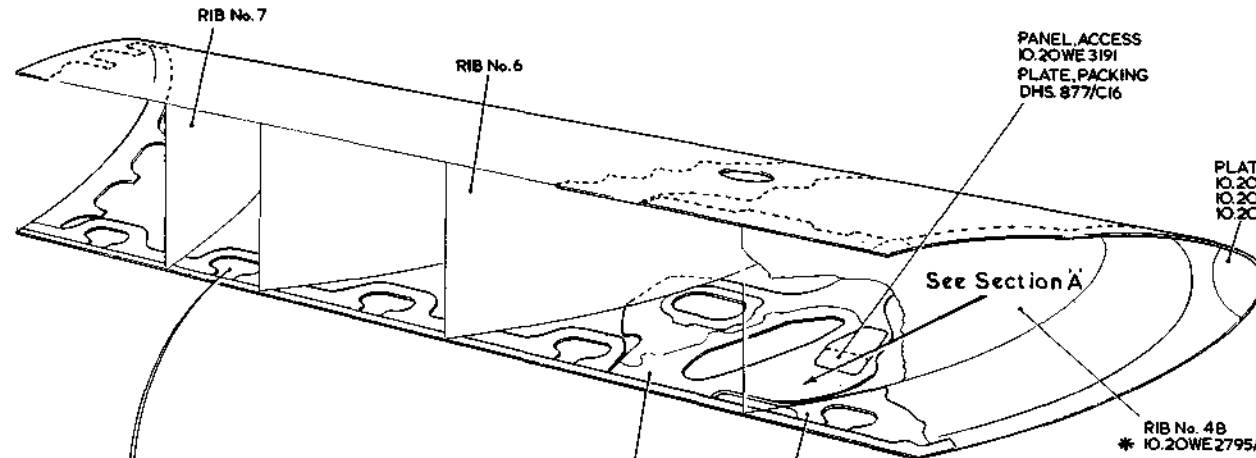


IO.20WE3465 PORT
IO.20WE3466 STBD.



STIFFENERS, ON NOSE
RIBS No 4B, 6, 6A & 7

MAKE FROM -X 21B
REF. No. 26FY/2565



RIB No. 7

RIB No. 6

PANEL ACCESS
IO.20WE3191
PLATE, PACKING
DHS. 877/C16

PLATE, DETACHABLE
IO.20WE3217 ND PORT
IO.20WE3218 ND STBD.
IO.20WE6821

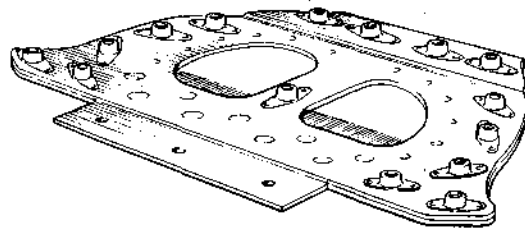
See Section A

RIB No. 4B
* IO.20WE2795A PORT PRE MOD. 399

* IO.20WE2796A STBD. PRE MOD. 399

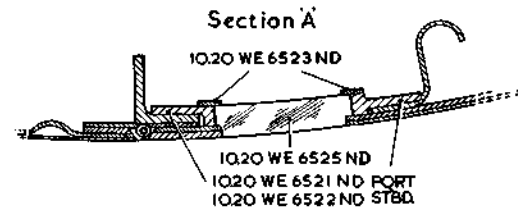
PLATE, REINFORCING
IO.20WE3207 PORT
IO.20WE3208 STBD.

PLATE, REINFORCING
IO.20WE10229ND PORT MOD. 827
IO.20WE10230ND STBD. MOD. 827



* IO.20WE 6979 A
COVER ACCESS
IO.20WE 3029 A
FOR A/C SERIAL NOS. XJ47B,
XJ479, XJ480, XJ481, XJ483,
XJ484, AND XJ485

PLATES, REINFORCING & DETAILS
LEADING EDGE SKIN RIBS No 4A TO 8



Section A

IO.20WE6523 ND

IO.20WE6525 ND

IO.20WE6521 ND PORT
IO.20WE6522 ND STBD.

See Vixen Mk. 1

RESTRICTED

Plate LH.11

LH.11
CL.58

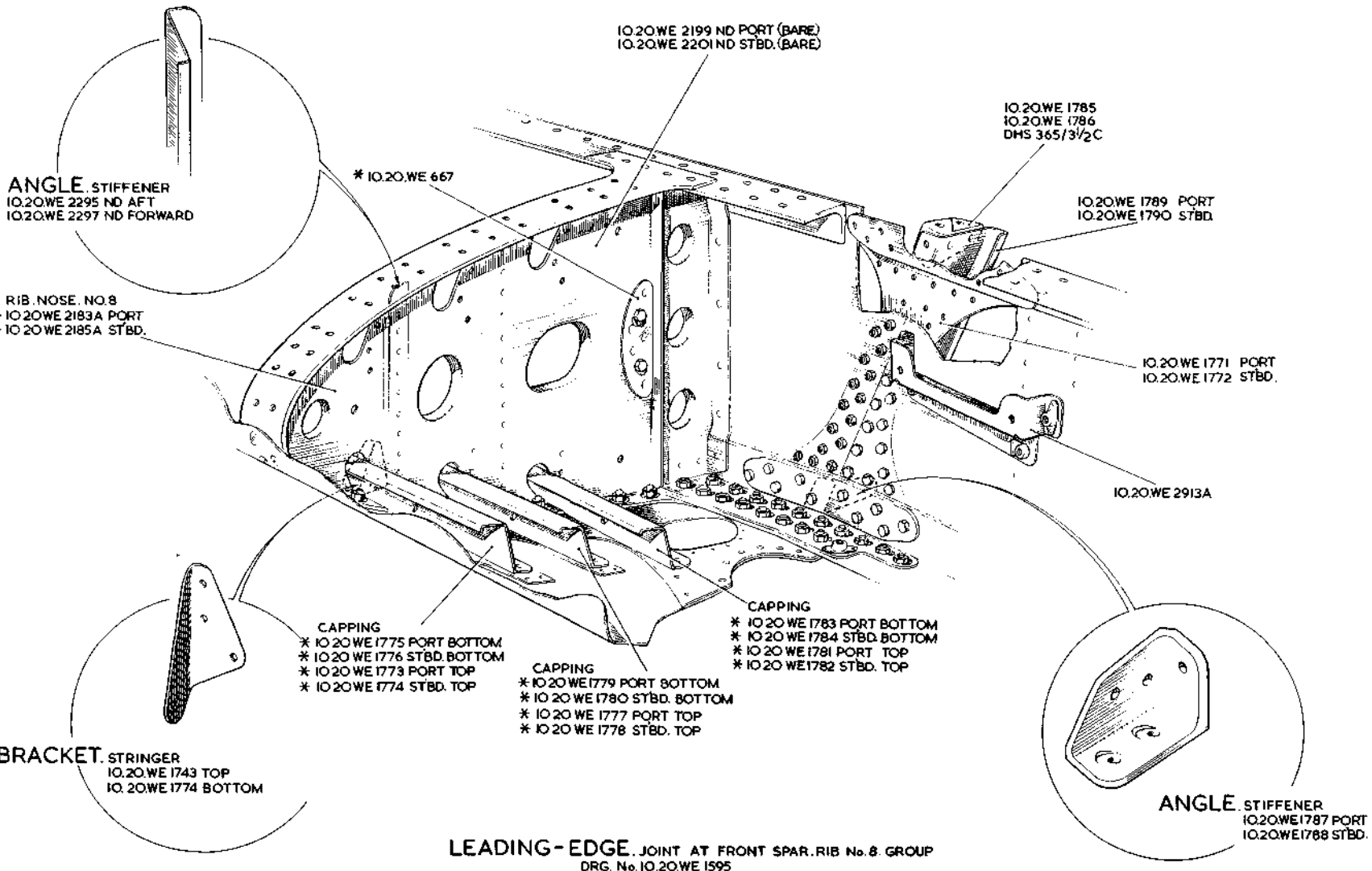
LH.12

MAIN PLANE

WING, EXTENSION

RESTRICTED

SEE TEXT FOR SPARES CONDITION
OF ITEMS MARKED THUS—*



LEADING-EDGE JOINT AT FRONT SPAR, RIB No. 8. GROUP
DRG. No. IO.20WE 1595

LH.12
[A. 59]

See Vixen Mk. 1

RESTRICTED

Plate LH.12

LH.13

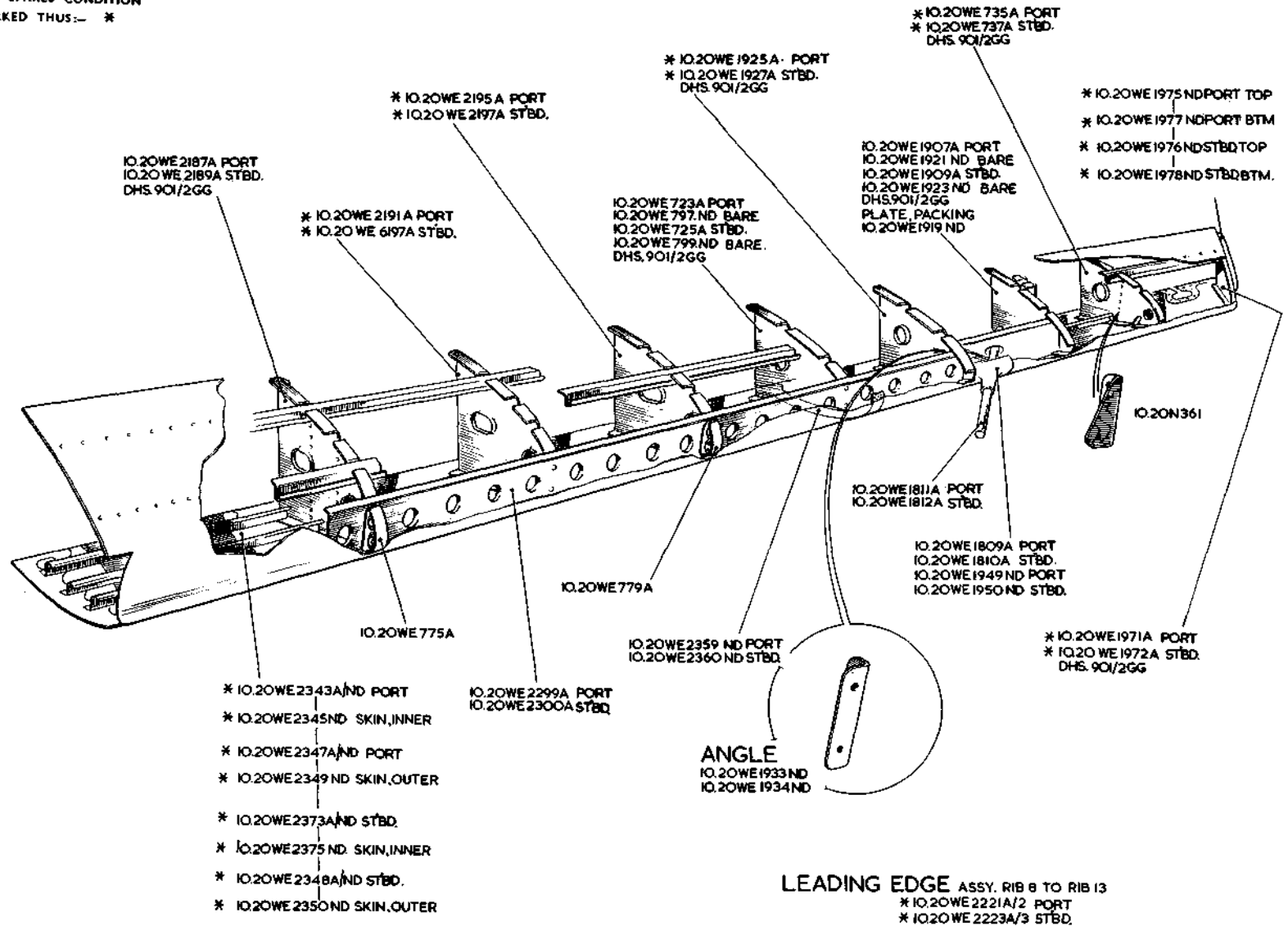
MAIN PLANE

WING, EXTENSION

RESTRICTED

LH.13
[Rev. 59]

SEE TEXT FOR SPARES CONDITION
OF ITEMS MARKED THUS: *

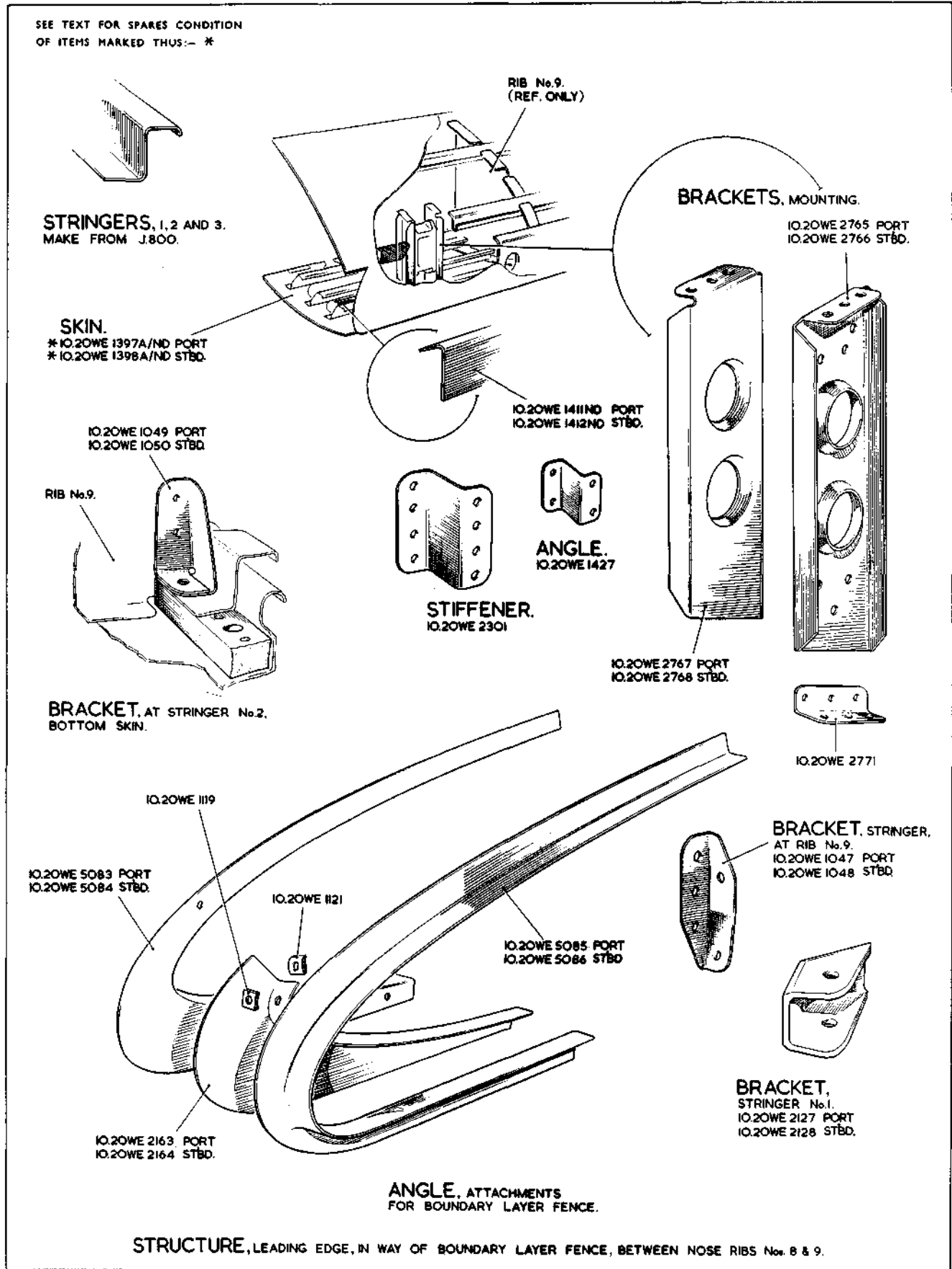


See Vixen Mk. 1

RESTRICTED

Plate LH.13

SEE TEXT FOR SPARES CONDITION OF ITEMS MARKED THUS: *

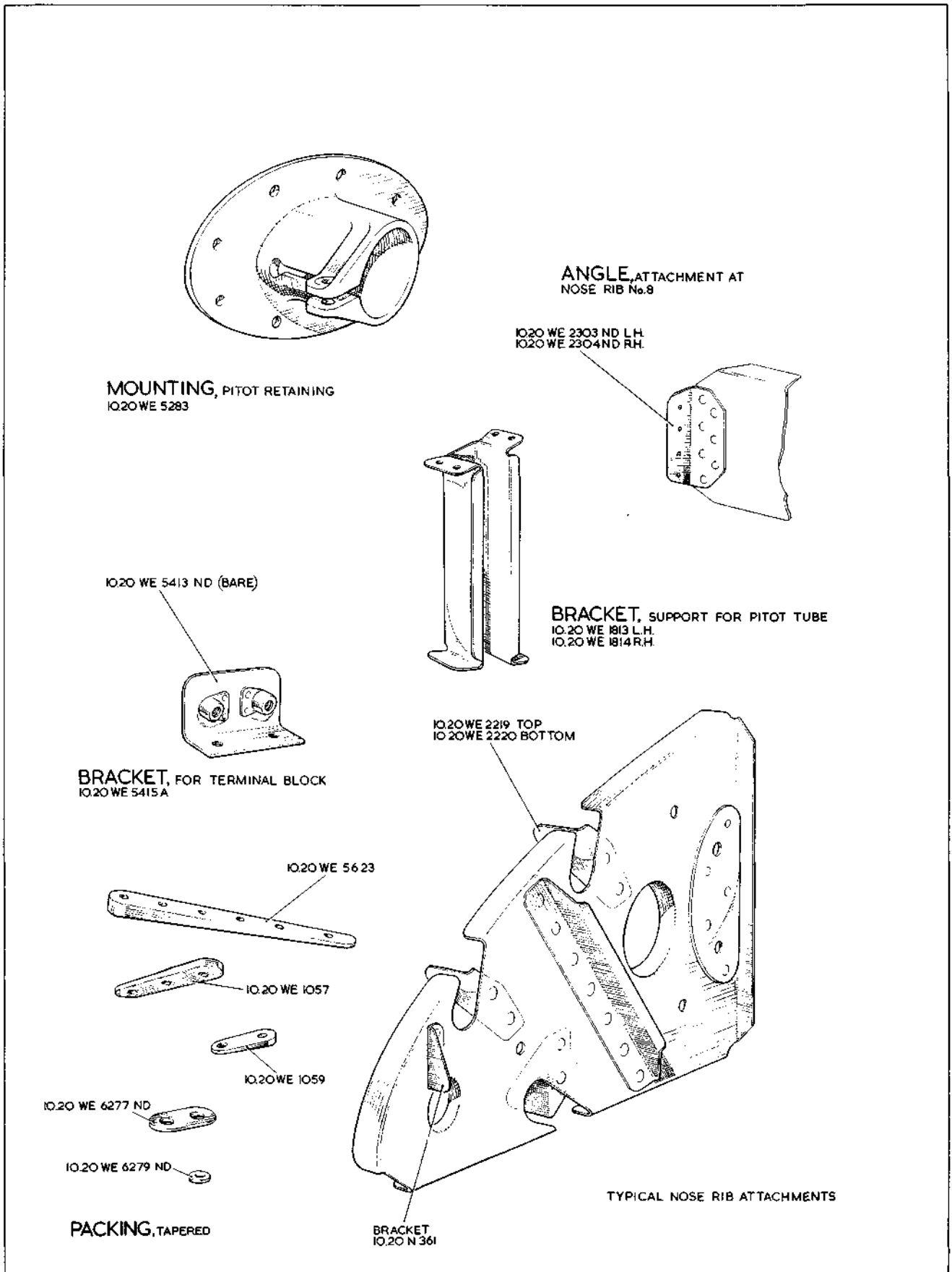


LH.14

**MAIN PLANE
WING, EXTENSION**

LH.14

[A.L.58]

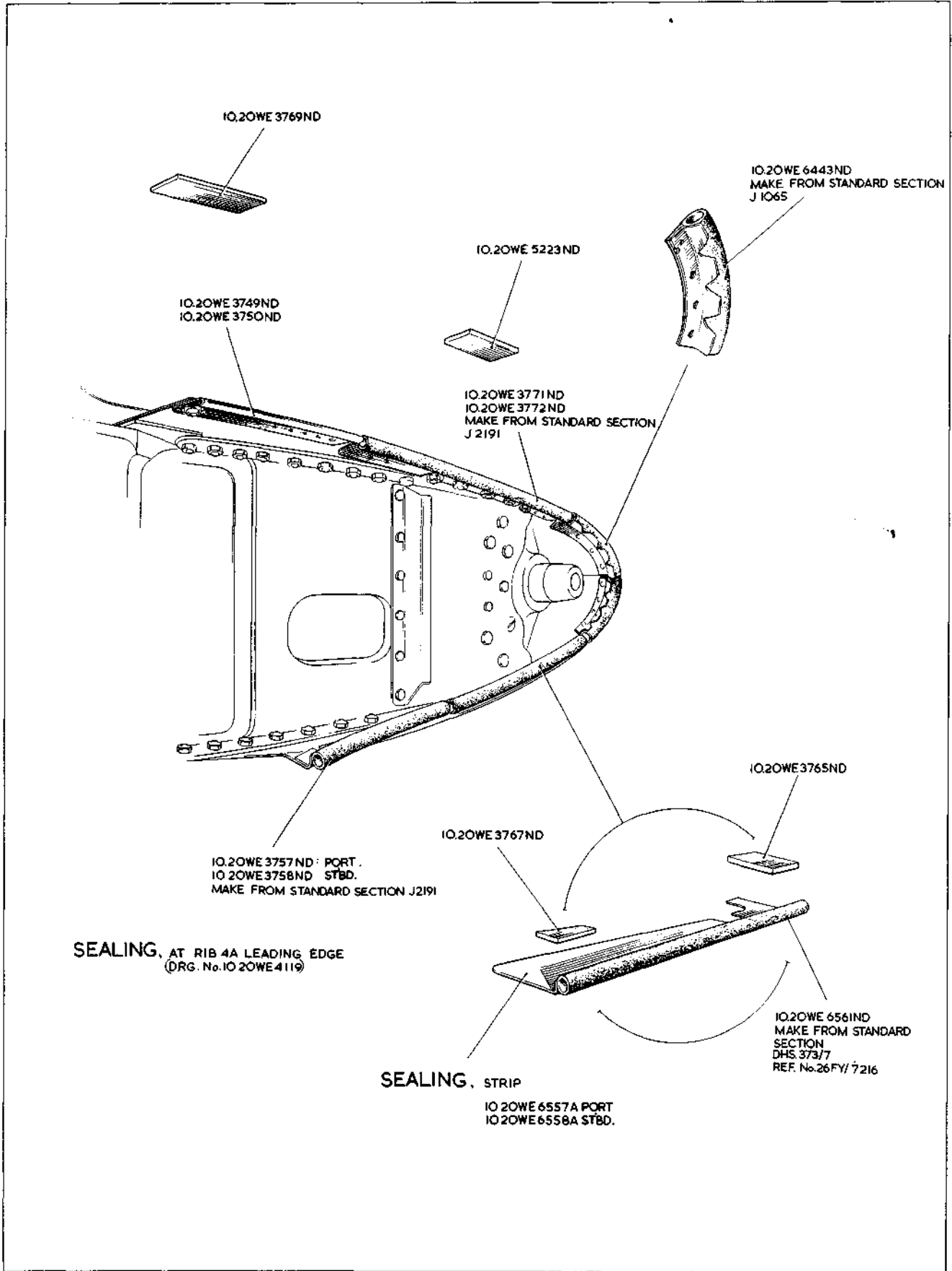


LH.15

**MAIN PLANE
WING, EXTENSION**

LH.15

[AL.63]

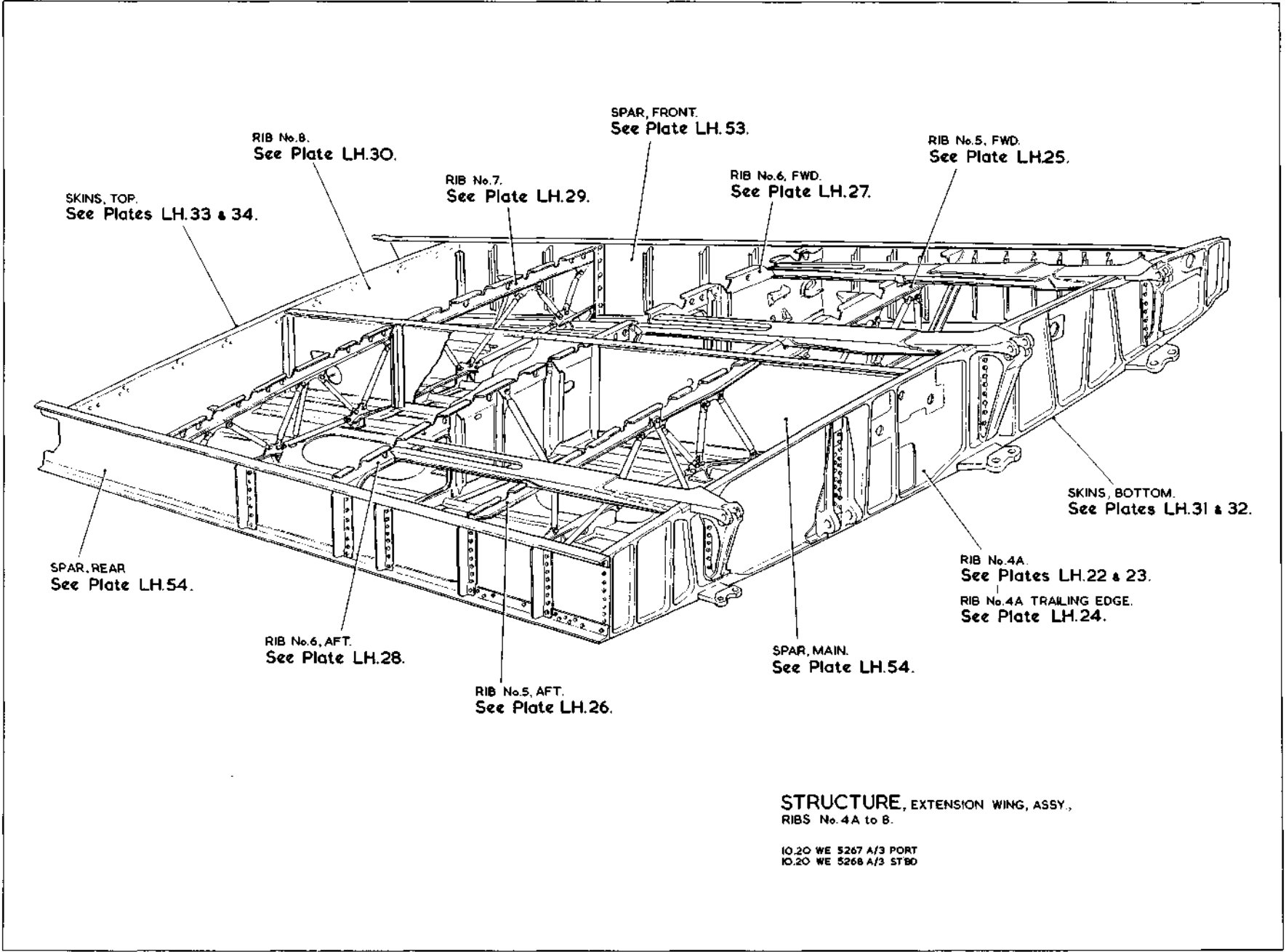


LH.16

MAIN PLANE WING, EXTENSION

LH.16

[AL.58]



STRUCTURE, EXTENSION WING, ASSY.,
RIBS No. 4A to B.

10.20 WE 5267 A/3 PORT
10.20 WE 5268 A/3 STBD

LH.17

MAIN PLANES
WING, EXTENSION

RESTRICTED

LH.17

[AL.63]

LH.18

MAIN PLANE
WING, EXTENSION

RESTRICTED

LH.18
[AL. 69]

COVER, MANHOLE AT RIB No. 5. ASSEMBLY
IQ20 WE 3817 PORT
IQ20 WE 3818 STBD

RING, SEALING
IQ20 WE 3975

PLUG, LOCATING
IQ20 WE 3911
DHS 388/J WASHER

NUT, ANCHOR
DHS 386/G
DHS 396/G
WASHER, PLATE

RING, SEALING
IQ20 WE 3975

PLUG, LOCATING
IQ20 WE 3911
DHS 388/J WASHER

STIFFENER
IQ20 WE 4091 PORT
IQ20 WE 4092 STBD
MAKE FROM STANDARD SECTION J2213

STIFFENER
IQ20 WE 4089
MAKE FROM STANDARD SECTION J2213

NUT, ANCHOR
DHS 386/G
DHS 396/G WASHER, PLATE

STIFFENER
IQ20 WE 3921
MAKE FROM STANDARD SECTION J2213

COVER, MANHOLE AT RIB No. 7. ASSEMBLY
IQ20 WE 3815 A

See Vixen Mk. 1

RESTRICTED

Plate LH.18

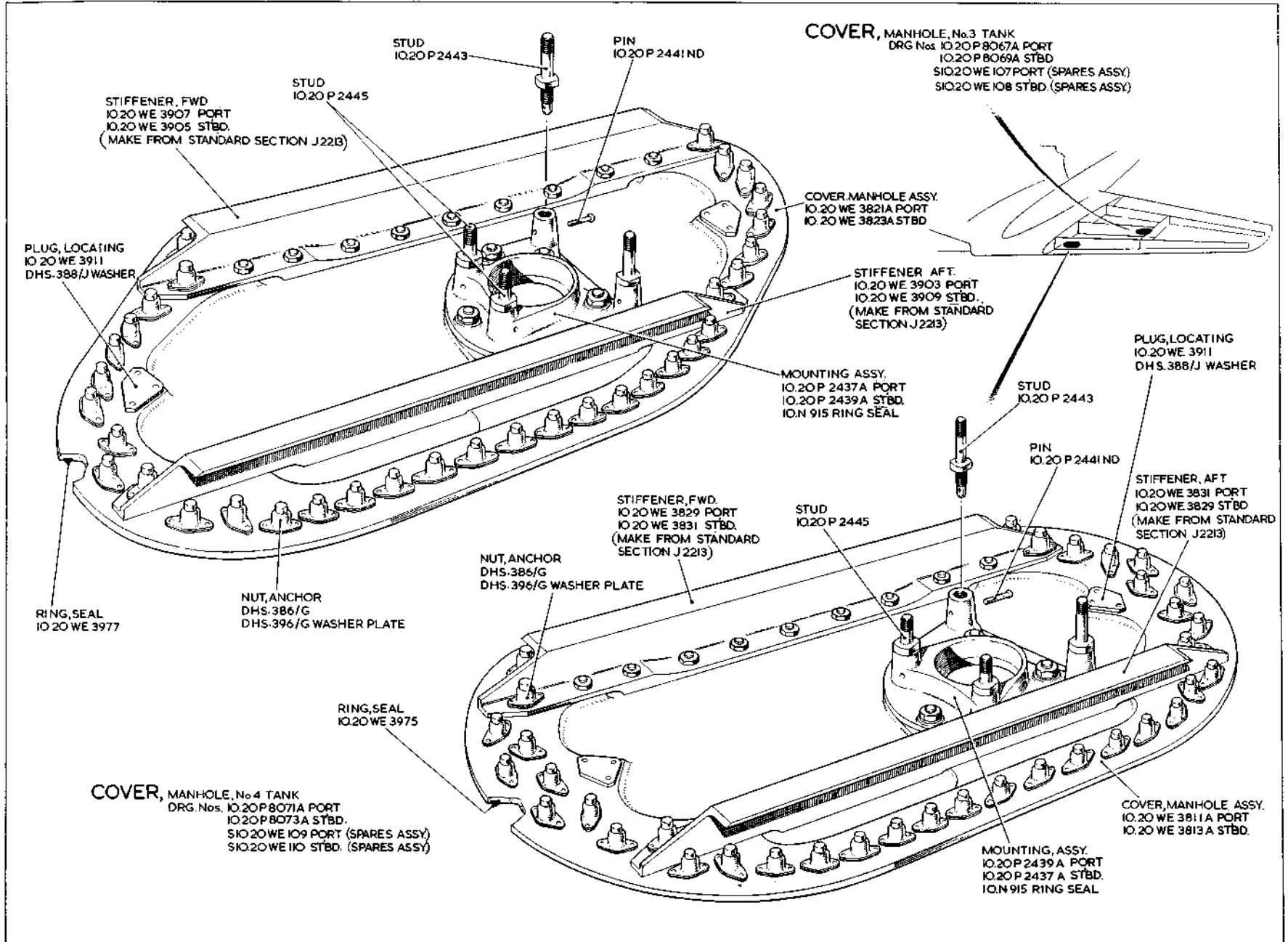
LH.19

MAIN PLANE

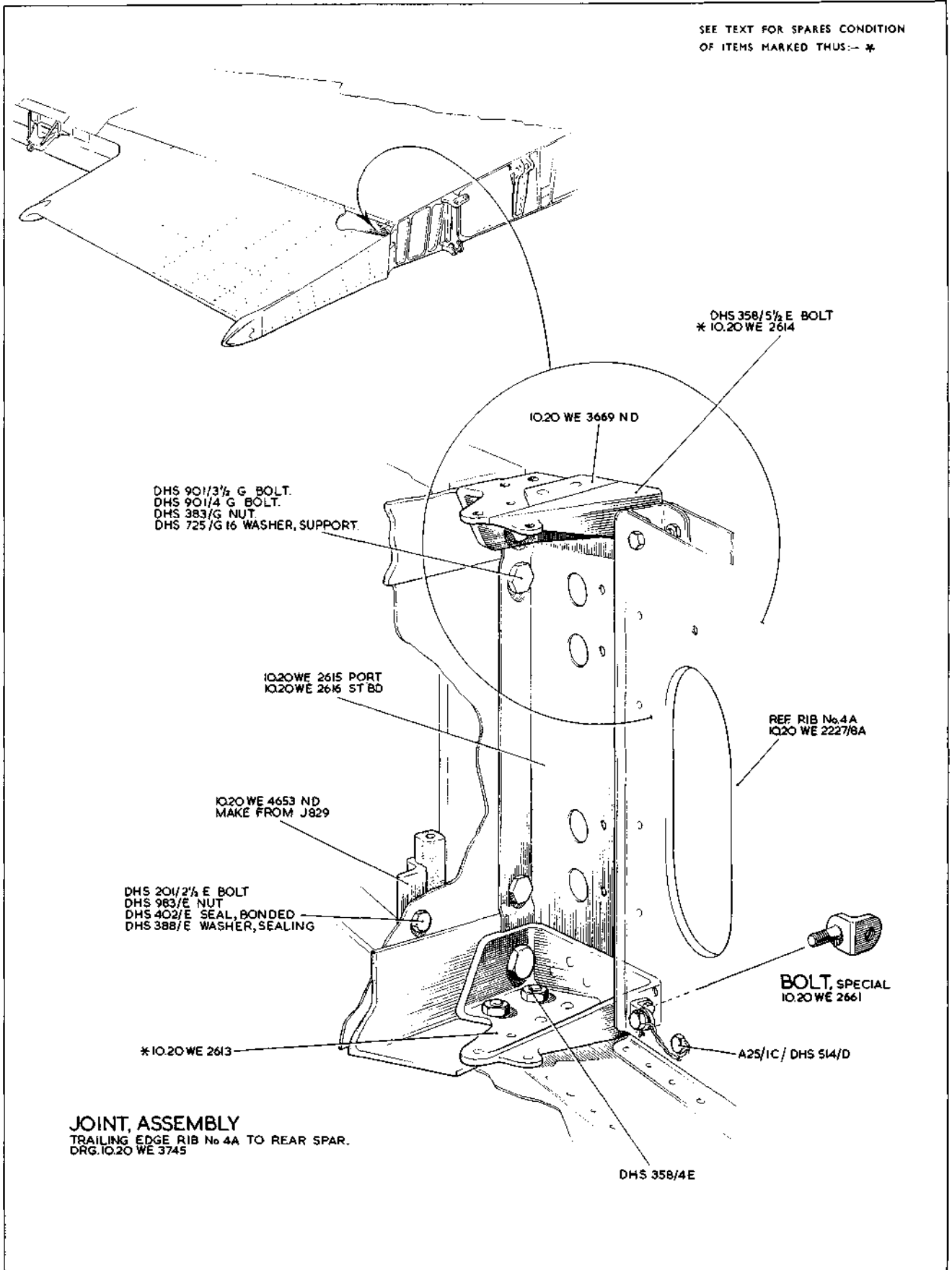
WING, EXTENSION

RESTRICTED

LH.19
[A.L. 69]



SEE TEXT FOR SPARES CONDITION
OF ITEMS MARKED THUS: *

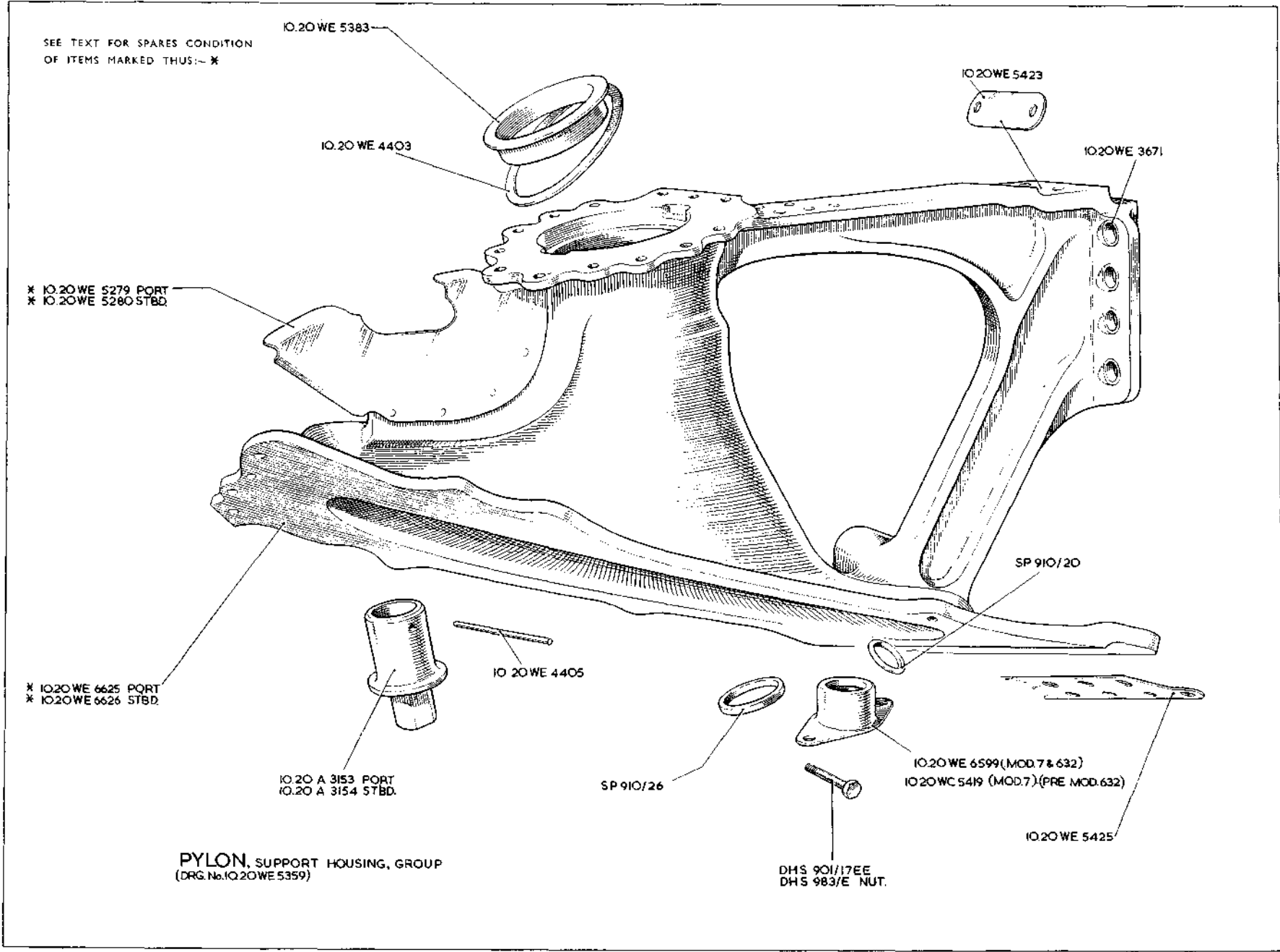


LH.20

**MAIN PLANES
WING, EXTENSION**

LH.20

[AL.63]



LH.21

MAIN PLANE

WING, EXTENSION

RESTRICTED

LH.21
(AL. 59)

PYLON, SUPPORT HOUSING, GROUP
(DRG.No.IO.20WE 5359)

LH.22

MAIN PLANES

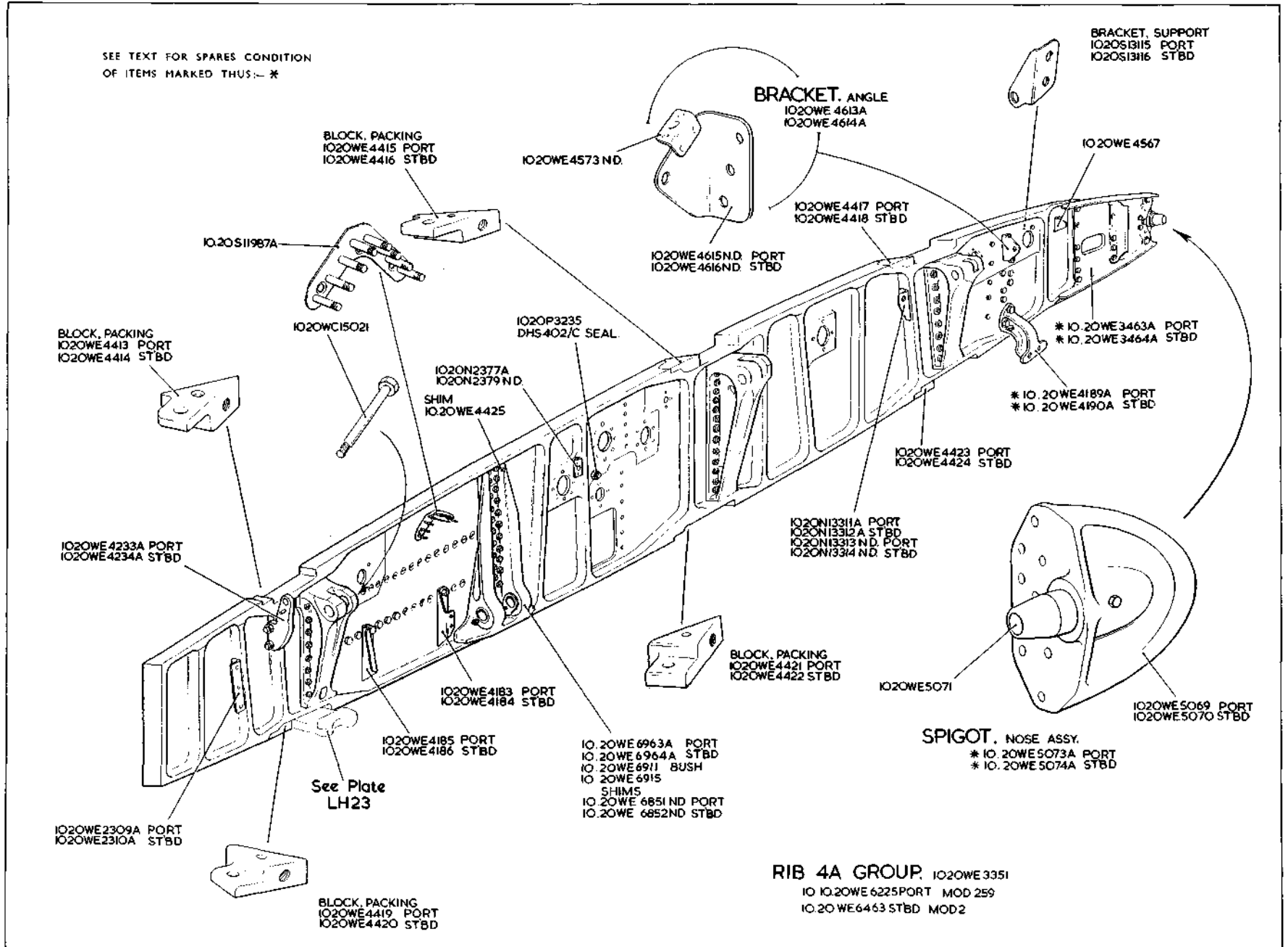
LH.22

WING, EXTENSION

RESTRICTED

[A.L. 00]

SEE TEXT FOR SPARES CONDITION OF ITEMS MARKED THUS: * *



See Vixen Mk. I

RESTRICTED

Plate LH.22

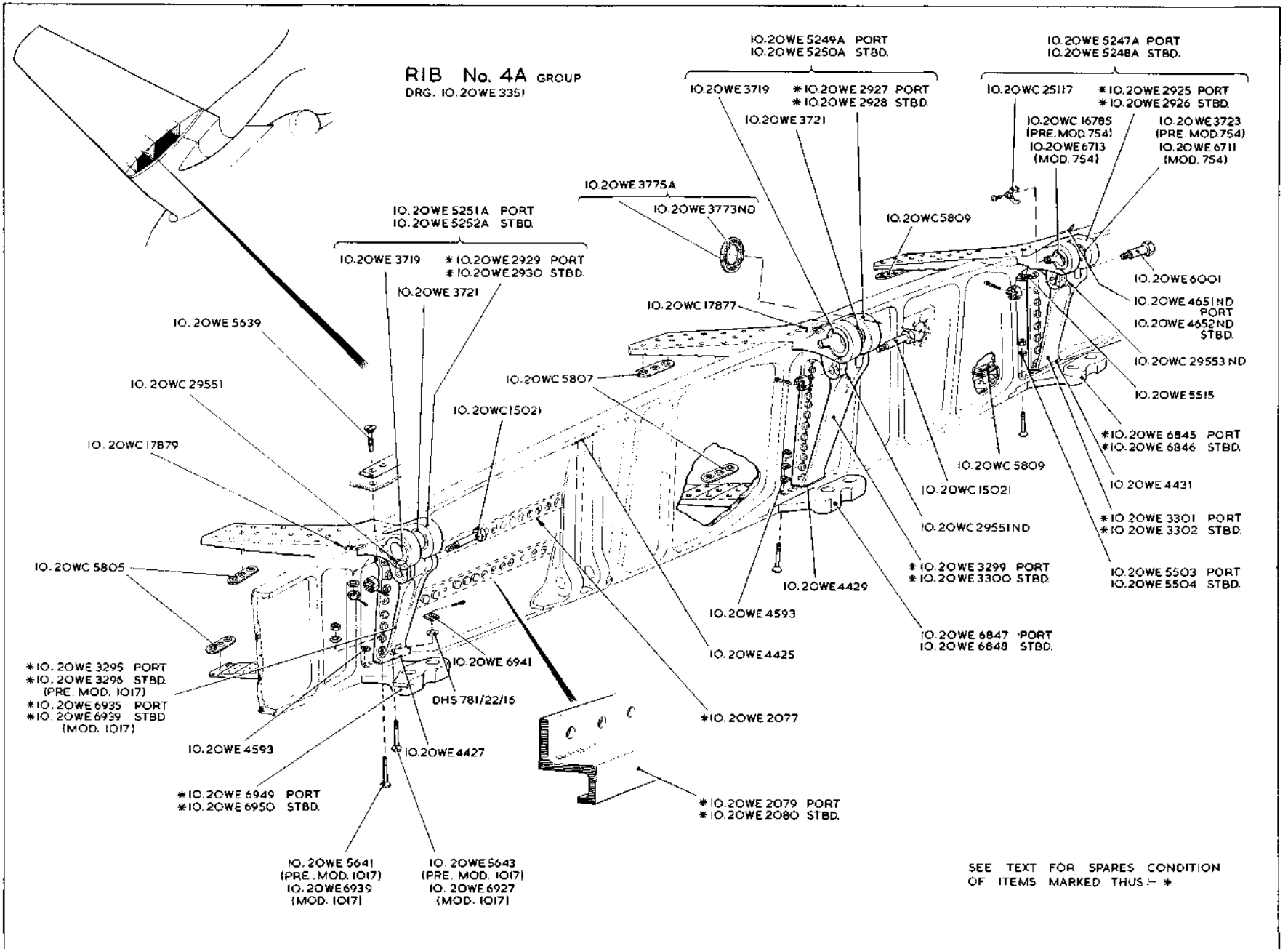
LH.23

MAIN PLANE

LH.23
[A.L.71]

WING, EXTENSION

RESTRICTED



Sea Vixen Mk. 1

RESTRICTED

Plate LH.2

LH.24

MAIN PLANE
WING, EXTENSION

LH.24

[A.58]

SEE TEXT FOR SPARES CONDITION
OF ITEMS MARKED THUS: * *

FAIRING
* IO.20WE 2263 A. PORT
* IO.20WE 2264 A. STBD.

ANGLE
IO.20WE 3423 ND. PORT
IO.20WE 3424 ND. STBD.

PLATE
IO.20WE 3421 ND. PORT
IO.20WE 3422 ND. STBD.

COVER, ACCESS
IO.20WE 2259 PORT
IO.20WE 2260 STBD.
IO.20WC 5835 WASHER, PACKING

ANGLE
IO.20WE 3589 PORT
IO.20WE 3590 STBD.

RIB, INBOARD
IO.20WE 2229 PORT
IO.20WE 2230 STBD.

BRACKET
IO.20WE 5357 PORT
IO.20WE 5358 STBD.

PLATE
IO.20WE 3419 ND.
IO.20WE 3420 ND.

ANGLE
IO.20WE 2235 ND. PORT
IO.20WE 2236 ND. STBD.

CHANNEL
* IO.20WE 5505 PORT
* IO.20WE 5506 STBD.

STIFFENER, No. 4
IO.20WE 2247 PORT
IO.20WE 2248 STBD.

GUARD, CHAIN
IO.20WE 2273

RIB, OUTBOARD
IO.20WE 2231 A. PORT
IO.20WE 2232 A. STBD.
IO.20WE 2233 ND. PORT
IO.20WE 2234 ND. STBD.

BRACKET
* IO.20WE 10039A, PORT
* IO.20WE 10040A, STBD.

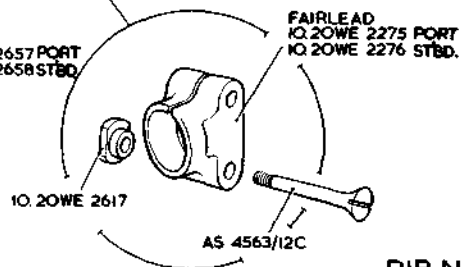
BRACKET
IO.20WE 2657 PORT
IO.20WE 2658 STBD.

BRACKET
IO.20WE 2269 PORT
IO.20WE 2270 STBD.

MEMBER, EDGE
IO.20WE 2239 PORT
IO.20WE 2240 STBD.

PANEL, SKIN
IO.20WE 2655 PORT
IO.20WE 2656 STBD.

TRACK, FLAP
* IO.20WE 2237 PORT
* IO.20WE 2238 STBD.



RIB No. 4A TRAILING EDGE ASSY.
* IO.20WE 5265 A. PORT
* IO.20WE 5266 A. STBD.

RESTRICTED

RESTRICTED

See Vixen Mk. I

Plate LH.24

SEE TEXT FOR SPARES CONDITION
OF ITEMS MARKED THUS: *

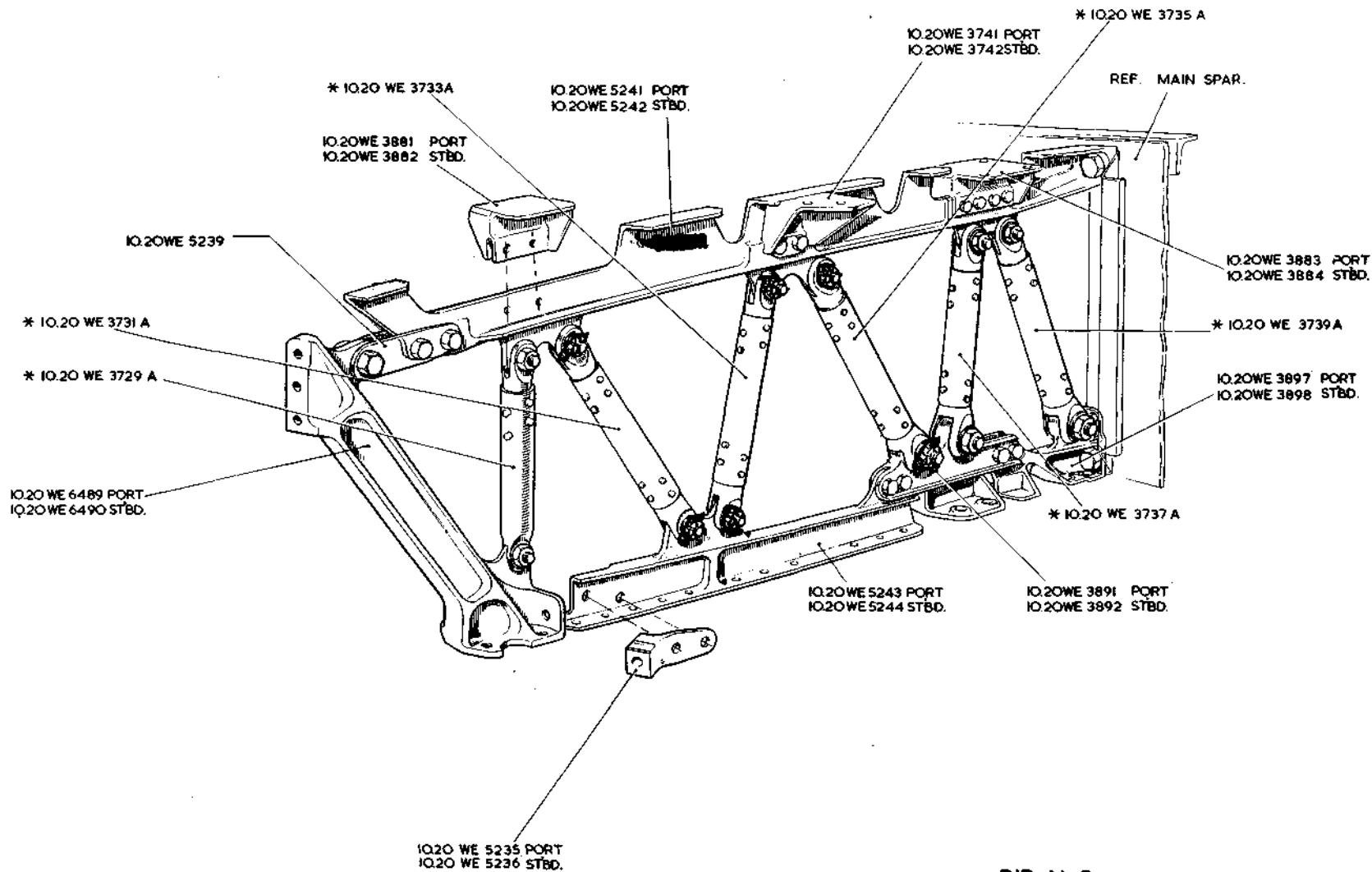
LH.25

MAIN PLANE

WING, EXTENSION

RESTRICTED

LH.25
(11-58)



RIB No.5, FRONT SPAR TO MAIN SPAR, GROUP.

IO.20WE 5245

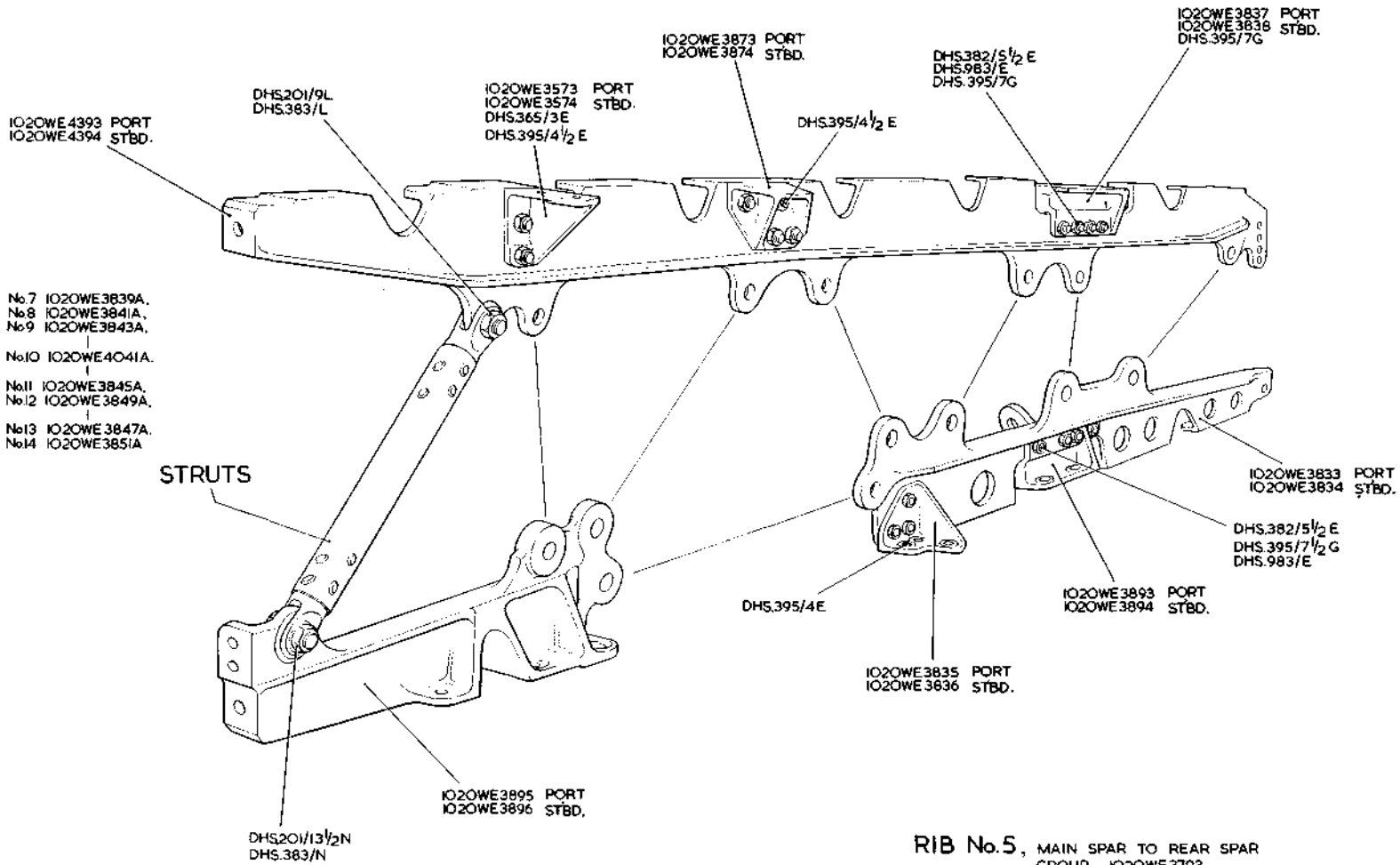
*IO.20WE 5253A/ND PORT
*IO.20WE 5254A/ND STBD.

See Vixen Mk. 1

RESTRICTED

Plate LH.25

SEE TEXT FOR SPARES CONDITION OF ITEMS MARKED THUS:- *



- * No.7 IO2OWE3839A.
- * No.8 IO2OWE3841A.
- * No.9 IO2OWE3843A.
- * No.10 IO2OWE4041A.
- No.11 IO2OWE3845A.
- No.12 IO2OWE3849A.
- No.13 IO2OWE3847A.
- No.14 IO2OWE3851A.

RIB No.5, MAIN SPAR TO REAR SPAR GROUP, IO2OWE3793

- * IO2OWE441A/N D PORT ASSY.
- * IO2OWE4412A/N D STBD ASSY.

LH.26

MAIN PLANE WING, EXTENSION

RESTRICTED

LH.26
[A 58]

SEE TEXT FOR SPARES CONDITION
OF ITEMS MARKED THUS: *

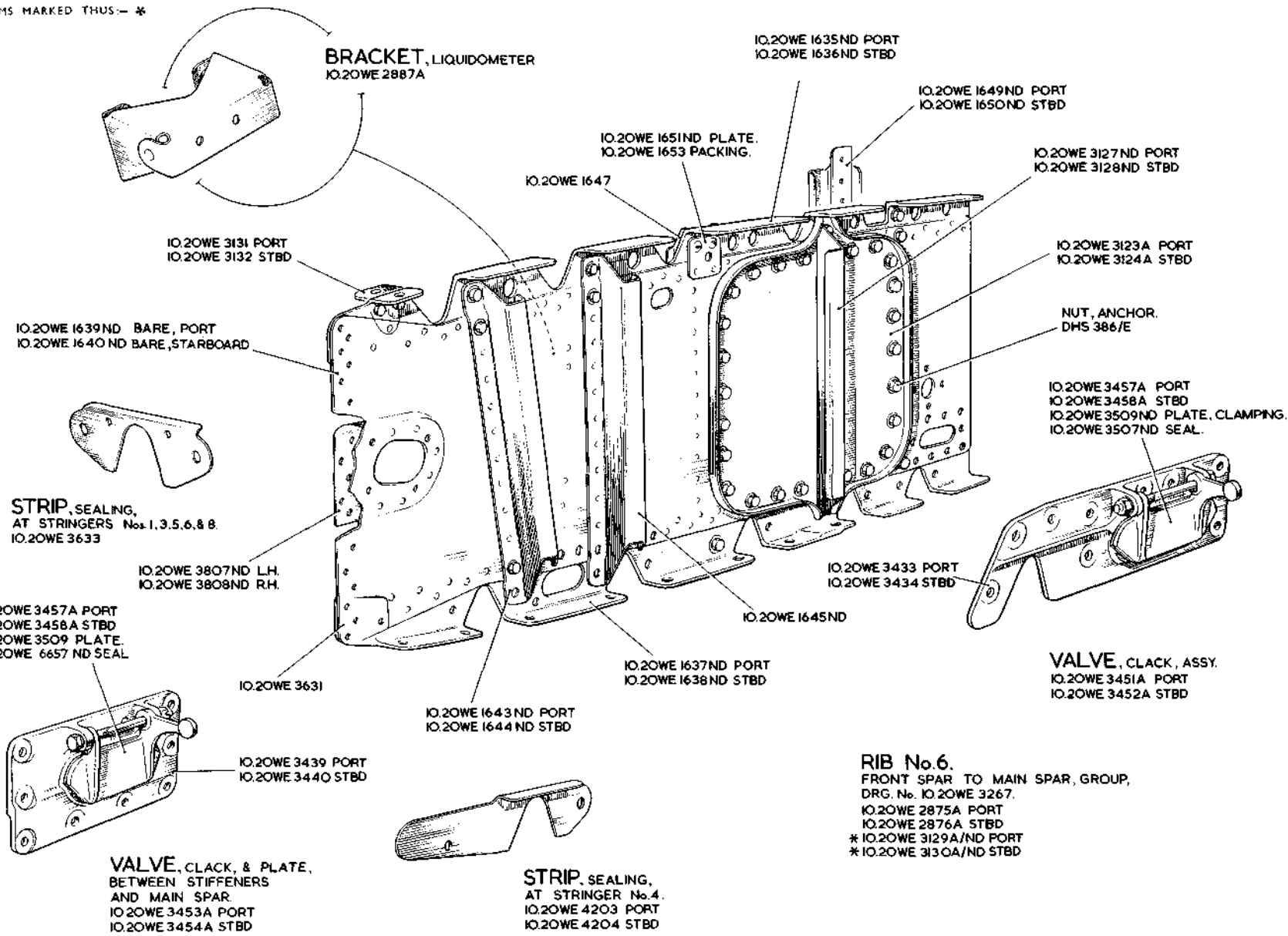
LH.27

MAIN PLANE

WING, EXTENSION

RESTRICTED

LH.27
[A14]



LH.28

MAIN PLANE

LH.28

WING, EXTENSION

RESTRICTED

SEE TEXT FOR SPARES CONDITION
OF ITEMS MARKED THUS: *

RIB No.6,
MAIN SPAR TO REAR SPAR.
* IO.20WE 2877A/1 PORT
* IO.20WE 2878A/1 STBD.

PACKING, TAPERED.
IO.20WE 5427

IO.20WE 6311A PORT
IO.20WE 6312A STBD.

IO.20WE 3149 ND PORT
IO.20WE 3150 ND STBD.

STRIP, SEALING.
IO.20WE 3637 PORT
IO.20WE 3638 STBD.

IO.20WE 5101ND

IO.20WE 3677

IO.20WE 5521ND PORT
IO.20WE 5522ND STBD.

PACKING, TAPERED.
IO.20WE 1653

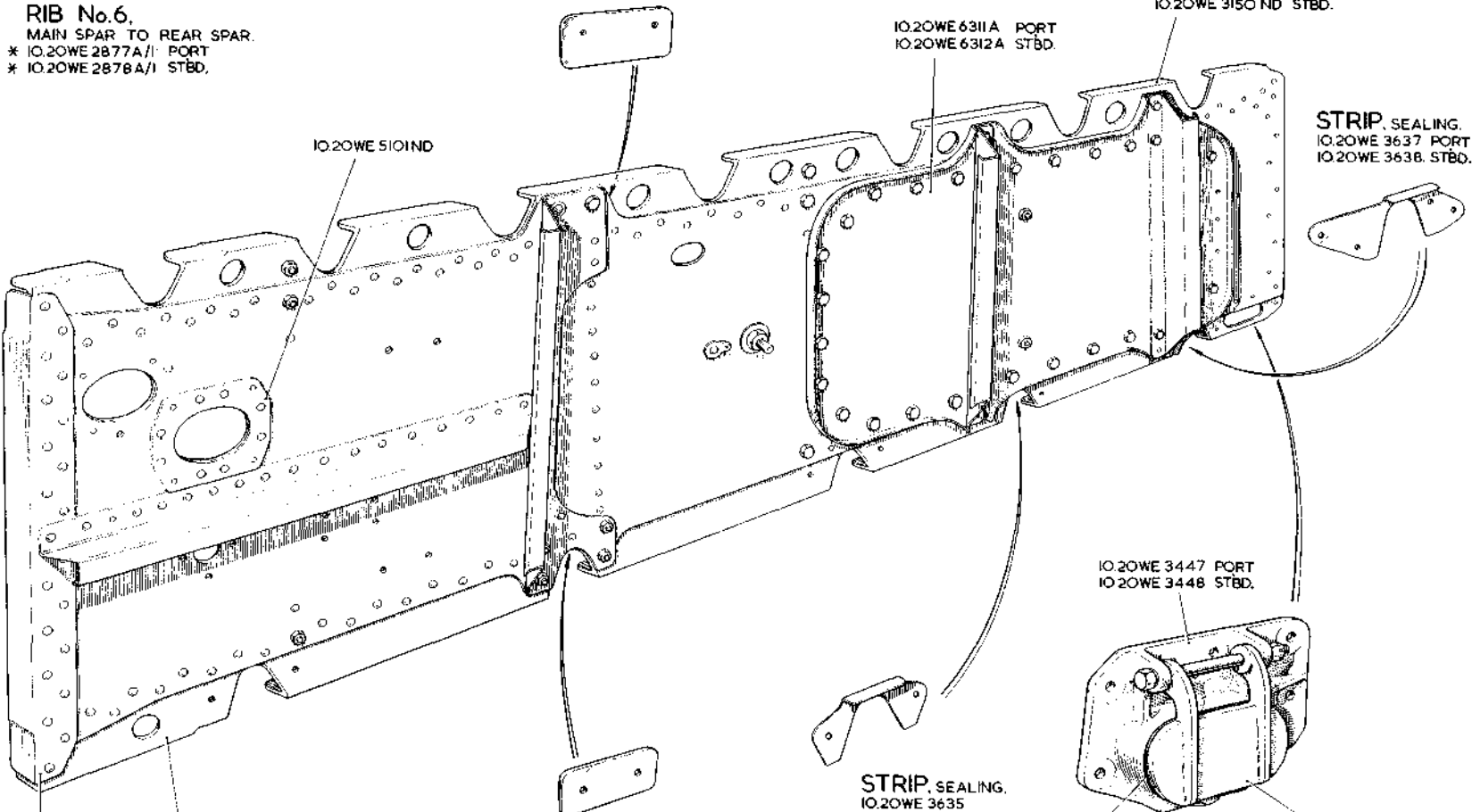
STRIP, SEALING.
IO.20WE 3635

IO.20WE 3447 PORT
IO.20WE 3448 STBD.

IO.20WE 3507ND

IO.20WE 3459A
IO.20WE 3509ND

VALVE, CLACK.
IO.20WE 3455A PORT
IO.20WE 3456A STBD.



See Vixen Mk. 1

RESTRICTED

Plate LH.28

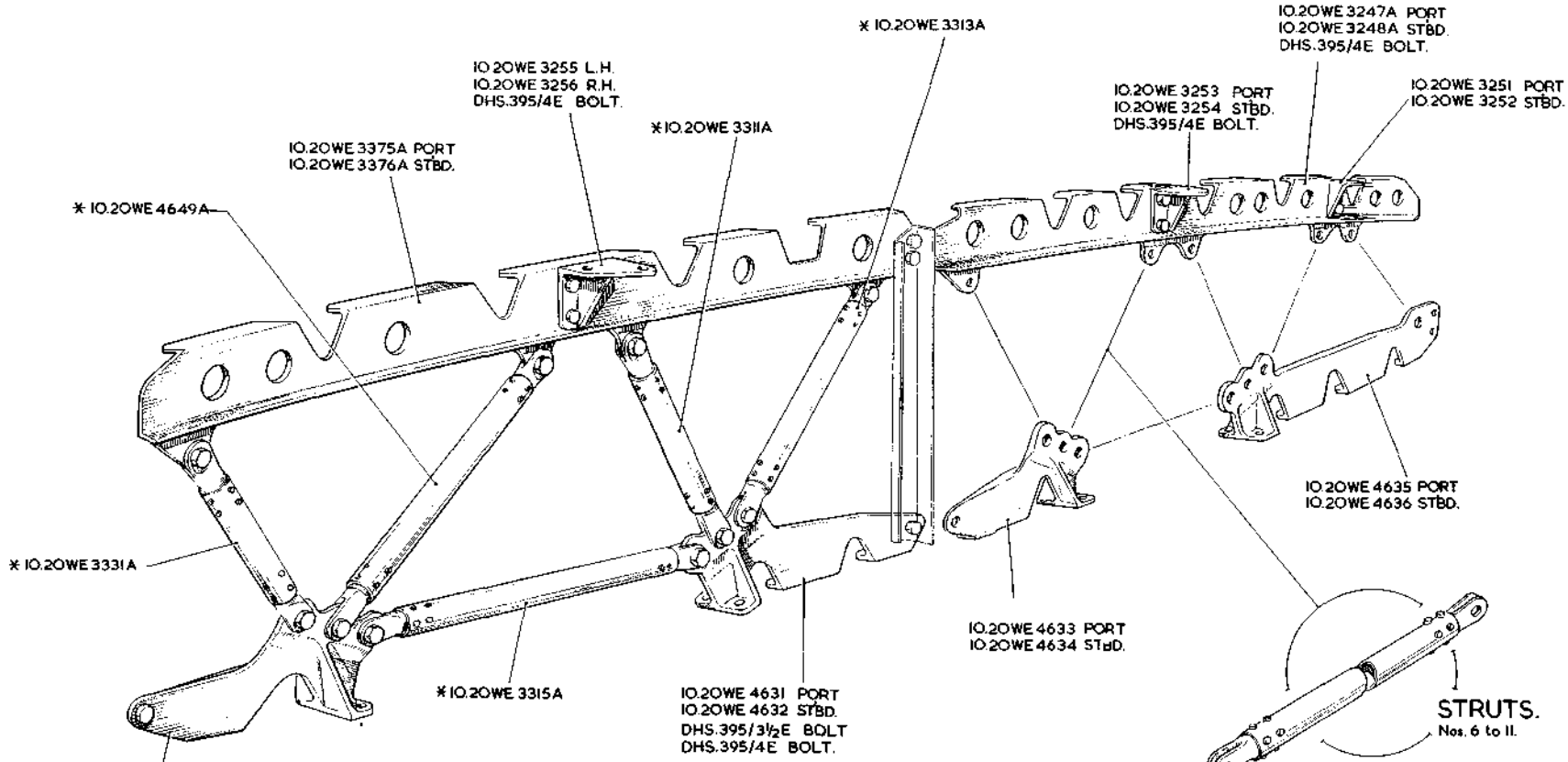
LH.29

MAIN PLANE

WING, EXTENSION

RESTRICTED

SEE TEXT FOR SPARES CONDITION OF ITEMS MARKED THUS:— *



RIB No.7, GROUP. DRG. No. 10.20WE 3257

IO.20WE 4629 PORT
IO.20WE 4630 STBD.
DHS.395/3 1/2 E BOLT.
DHS.395/4E BOLT.

RIB No.7 FRONT SPAR TO MAIN SPAR
* IO.20WE 5057A/ND PORT
* IO.20WE 5058A/ND STBD.

RIB No.7 MAIN SPAR TO REAR SPAR
* IO.20WE 5055A/ND PORT
* IO.20WE 5056A/ND STBD.

- No.6 * IO.20WE 3335A
- No.7 * IO.20WE 3317A
- No.8 * IO.20WE 3337A
- No.9 * IO.20WE 3311A
- No.10 * IO.20WE 3339A
- No.11 * IO.20WE 3319A

LH.29
[A.L. 59]

See Vixen Mk. I

RESTRICTED

Plate LH.29

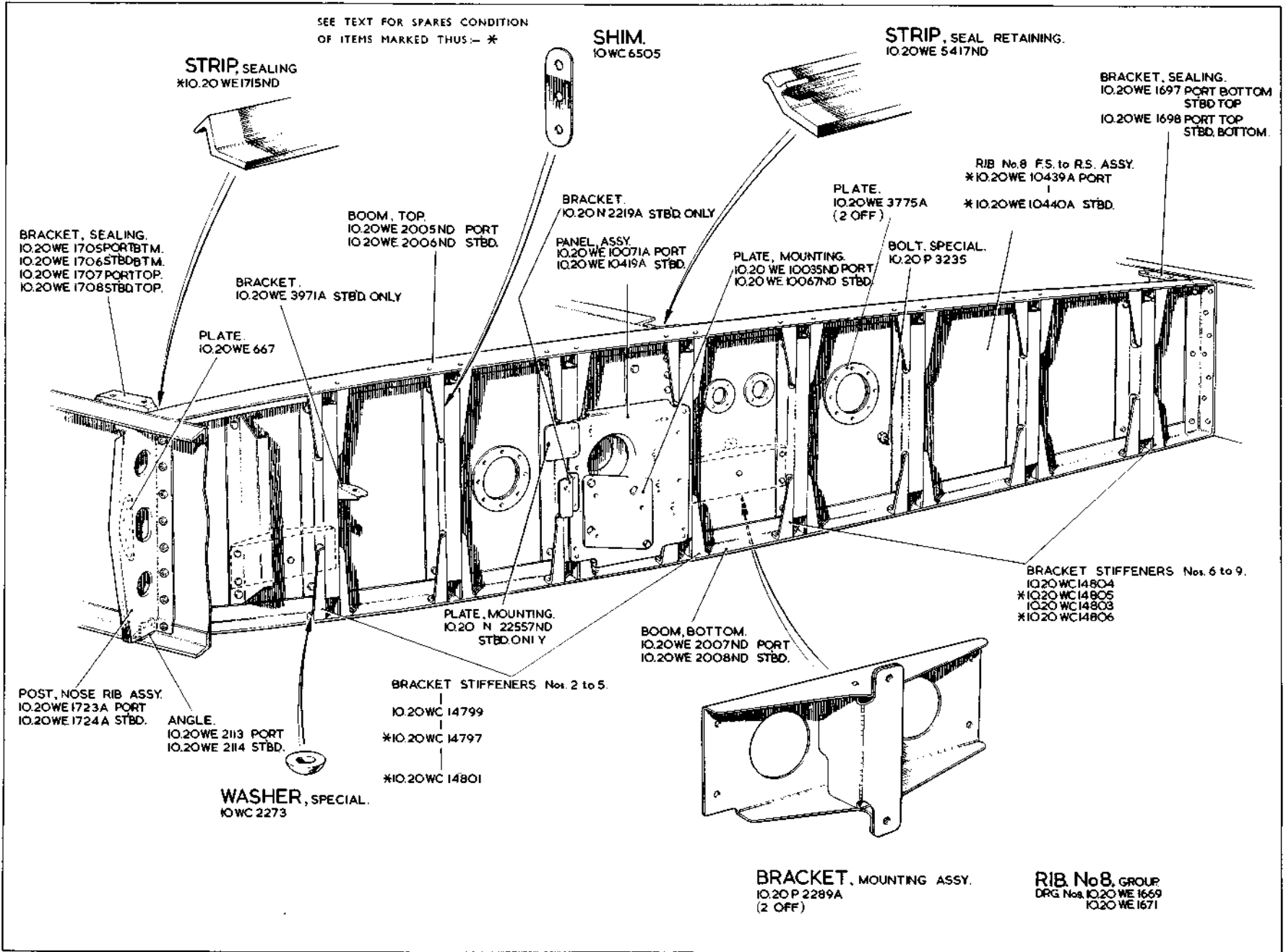
LH.30

MAIN PLANE

WING, EXTENSION

RESTRICTED

LH.30
[A. 59]



See Vixen Mk. 1

RESTRICTED

Plate LH.30

LH.31

SEE TEXT FOR SPARES CONDITION OF ITEMS MARKED THUS: *

SKINS ASSY.
IO.20WE 6951A
IO.20WE 6952A

PORT IO.20WE 6951A
STBD. IO.20WE 6952A

DRAIN, WATER, ASSY.
IO.20P 8093A
See Plate L.A.53

BEAM
IO.20WE 3041

BLOCK
IO.20WC 9939

BRACKET,
IO.20WE 3039

PLATE REINFORCING ASSY
IO.20WE 6863A/ND PORT
IO.20WE 6864A/ND STBD.
IO.20WE 5391 ND. PLATE PORT
IO.20WE 5392 ND. PLATE STBD.

PAD
IO.20 WE 6861ND

DRAIN, WATER, ASSY. AFT
IO.20P 8095A
See Plate L.A.53

GUIDE ASSY.
AS. 403

BODY
IO.20P 280I

RING, SEALING.
6P. 347

RING, SEALING.
ION. 915

SPRING.
AS. 404

VALVE,
AS. 2579

WASHER
6P. 345

CAP
6P. 343

Detail 'B'

BLOCK
IO.20WC 9939

BLOCK
IO.20WC 9937

IO.20 WE 6645
IO.20 WE 6646

MEMBER, DIFFUSION, REAR.
* IO.20WE 1749 PORT

* IO.20WE 1750 STBD.

BLOCK,
IO.20WC 9935

VALVE, DRAIN, ASSY.
IO.20P 2797A
See Detail 'B'

MEMBER, DIFFUSION, CENTRE.
* IO.20WE 3045 PORT

* IO.20WE 3046 STBD.

STRAP,
* IO.20WE 4209 PORT

* IO.20WE 4210 STBD.

MEMBER, DIFFUSION, FRONT
* IO.20WE 3043 PORT

* IO.20WE 3044 STBD.

SKINS, BOTTOM, RIBS No. 4A to B.
DRG. Nos: IO.20WE 2291
IO.20WE 4049
IO.20WE 4051
IO.20WE 5381

CONNECTION, FUEL, ASSY.
IO.20P 1595A PORT
IO.20P 3647A STBD
SP.911A/4 RING, SEALING.
SP.911A/8 RING, SEALING.

MAIN PLANE
WING, EXTENSION

RESTRICTED

See Vixen Mk. 1

RESTRICTED

Plate LH.31

LH.31
[L.A.53]

LH.32

MAIN PLANE

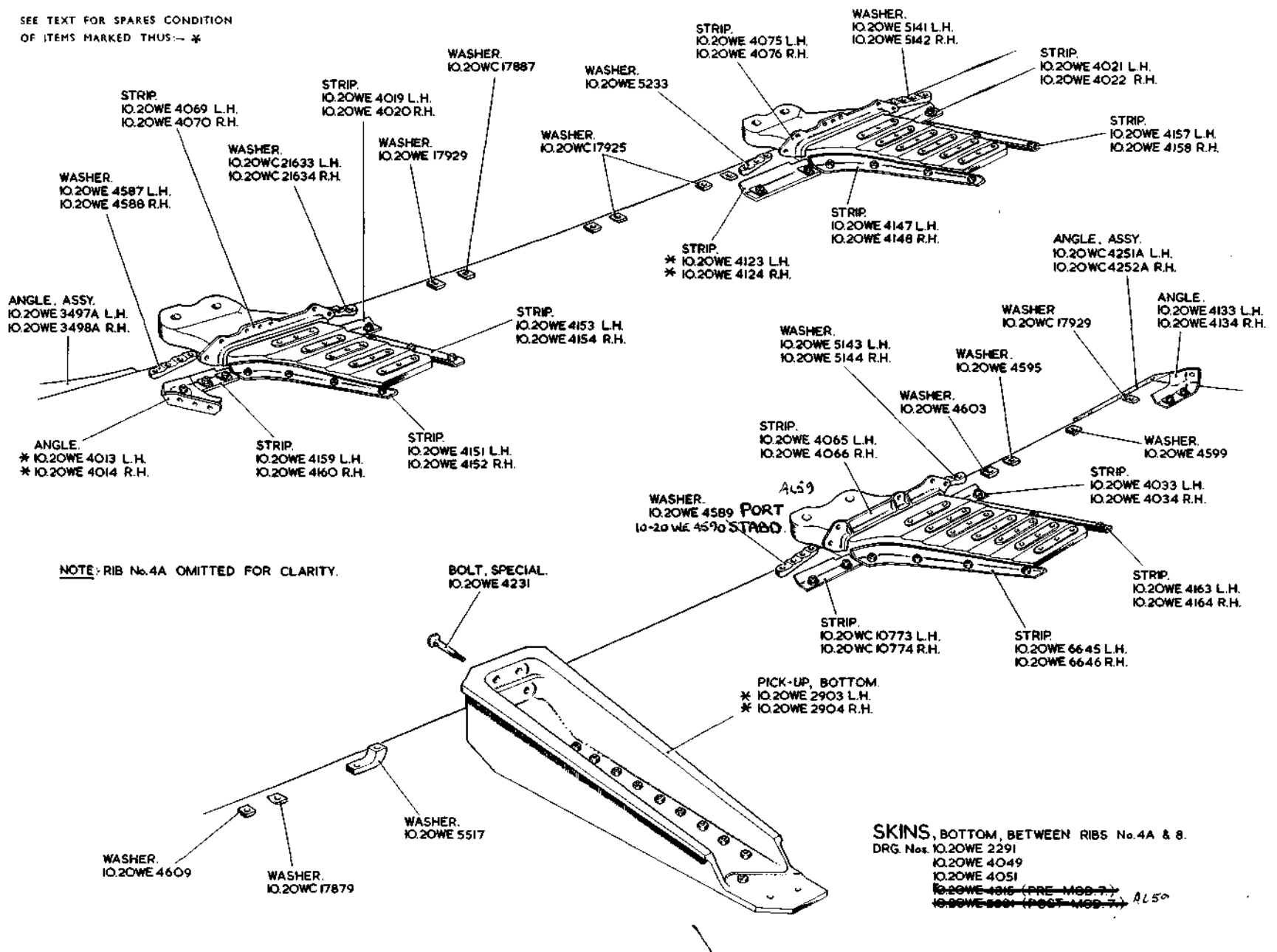
LH.32

[AL.47]

WING, EXTENSION

RESTRICTED

SEE TEXT FOR SPARES CONDITION
OF ITEMS MARKED THUS: *



See Vixen Mk. 1

RESTRICTED

Plate LH.32

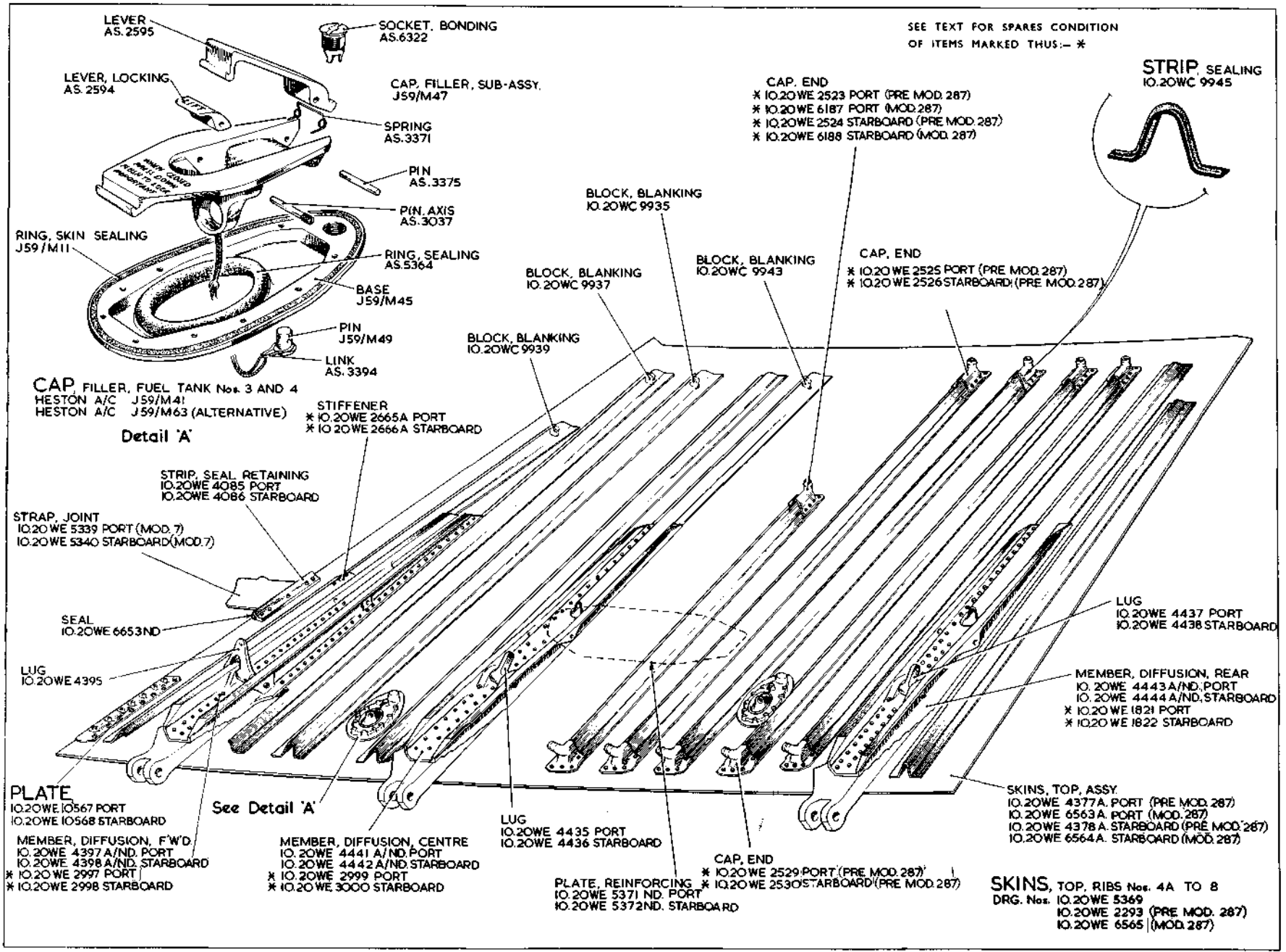
LH.33

MAIN PLANE

WING, EXTENSION

RESTRICTED

LH.33
[A.L. 57]



See Vixen Mk. 1

RESTRICTED

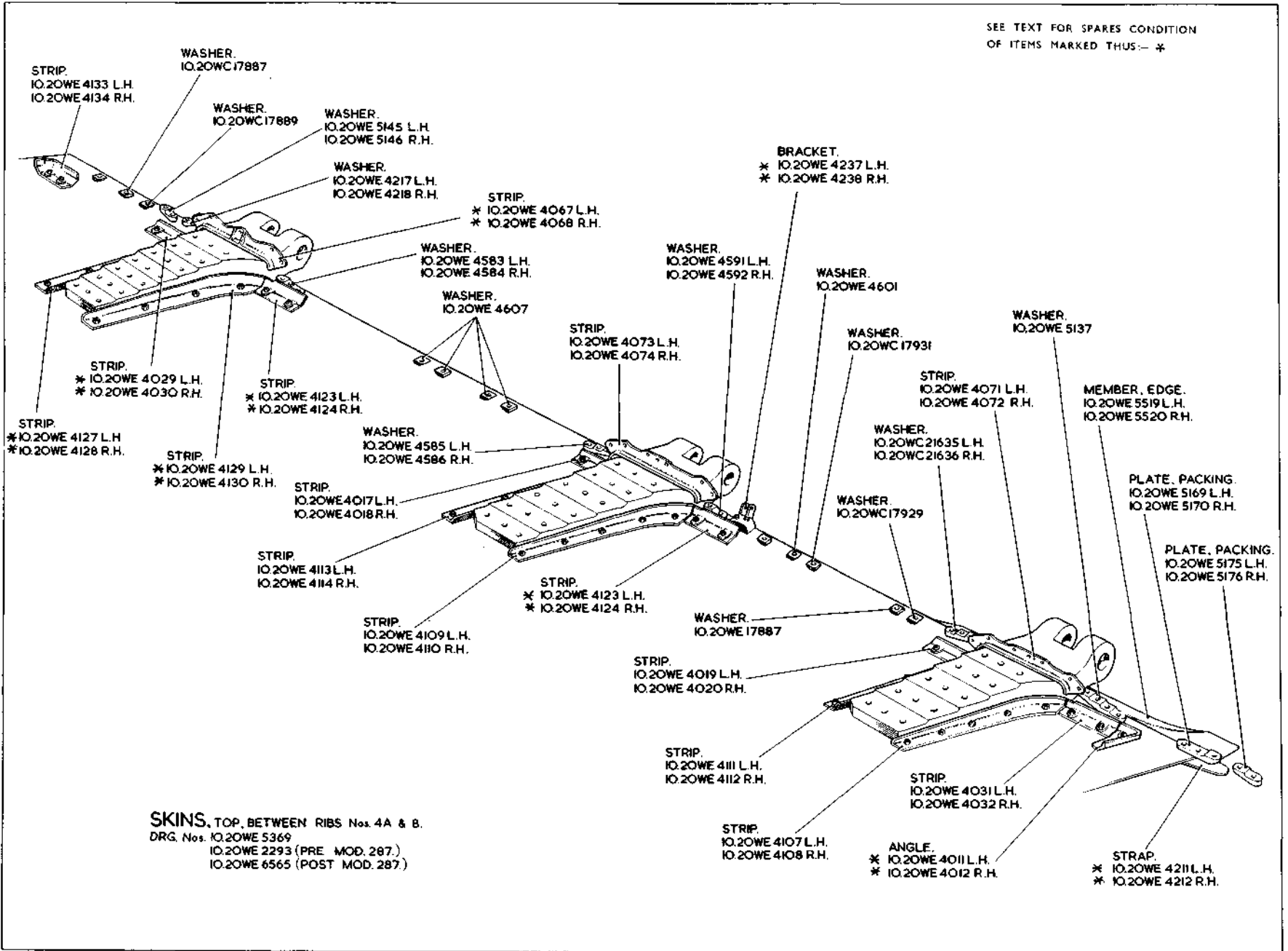
Plate LH.33

LH.34

MAIN PLANE

WING, EXTENSION

RESTRICTED



See Vixen Mk. I

RESTRICTED

Plate LH.34

LH.34

[A1-47]

LH.35

MAIN PLANE
WING, EXTENSION

LH.35
[ALSI]

SEE TEXT FOR SPARES CONDITION
OF ITEMS MARKED THUS: *

RIB No.13.
* IO.2OWE 45A PORT
* IO.2OWE 46A STBD.

See Plate LH.44.

RIB No.12.
IO.2OWE 43A PORT
IO.2OWE 44A STBD.
WEB.
IO.2OWE 405ND PORT
IO.2OWE 406ND STBD.
See Plate LH.44.

RIB No.11.
IO.2OWE 41A PORT
IO.2OWE 42A STBD.
WEB.
IO.2OWE 101ND PORT
IO.2OWE 102ND STBD.
See Plate LH.43.

FRONT SPAR.
See Plate LH.37.

RIB No.10
IO.2OWE 2519A PORT
IO.2OWE 2520A STBD.
WEB.
IO.2OWE 2533ND PORT
IO.2OWE 2534ND STBD.
See Plate LH.43.

RIB No.9
IO.2OWE 6663A PORT
IO.2OWE 5637A/1 STBD.
WEB.
IO.2OWE 6665ND PORT
IO.2OWE 1202ND STBD.

* IO.2OWE 1137A PORT
* IO.2OWE 1138A STBD.

DIAPHRAGM
AL 59
* IO.2OWE 1055A PORT
* IO.2OWE 1055B STBD.
* IO.2OWE 1055TA PORT
* IO.2OWE 1055TB STBD.

IO.2OWE 1143ND PORT
IO.2OWE 1144ND STBD.

REAR SPAR
See Plates LH.38 & 39.

STRUCTURE, WING EXTENSION, RIBS Nos. 8 to 13.
IO.2OWE 5349A/1 PORT
IO.2OWE 5350A/3 STBD.

SKIN, ASSEMBLY, BOTTOM.
* IO.2OWE 923A PORT
* IO.2OWE 925A/1 STBD.

SKIN, ASSEMBLY, TOP.
* IO.2OWE 821A PORT
* IO.2OWE 822A STBD.

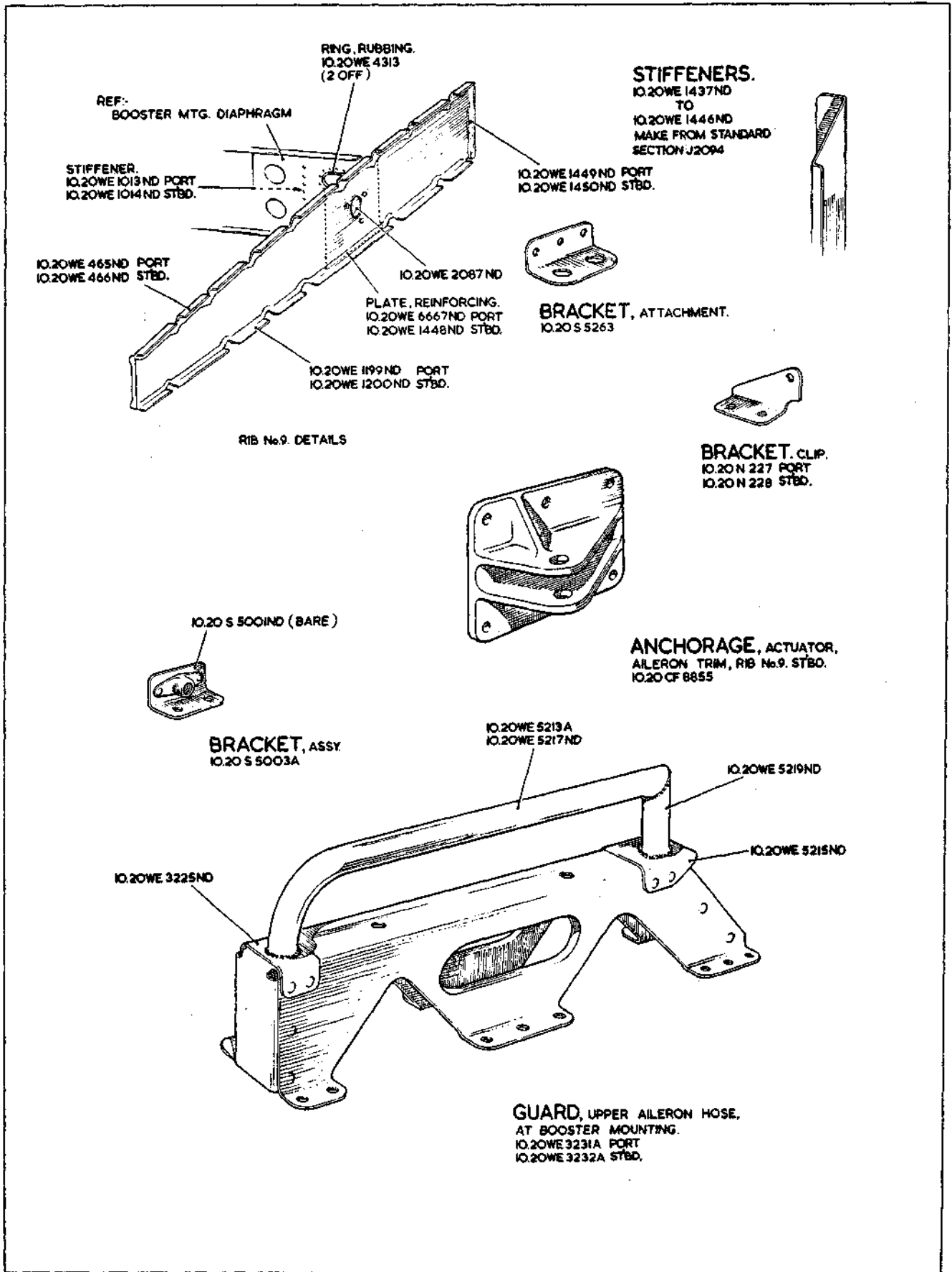
IO.2OWE 1297
AILERON BOOSTER MOUNTING
STRUCTURE.
See Plate LH.40.

RESTRICTED

RESTRICTED

See Vixen Mk. 1

Plate LH.35



LH.36

MAIN PLANE
WING, EXTENSION

LH.36

(L 48)

LH.37

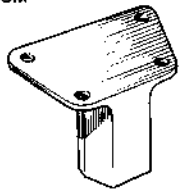
MAIN PLANES
WING, EXTENSION

LH.37
[Also]

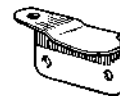
SEE TEXT FOR SPARES CONDITION
OF ITEMS MARKED THUS: *

SPAR, FRONT, EXTENSION WING,
RIBS No. 8 to 13.
DRG. Nos. IO.20WE 2327A/1 PORT
IO.20WE 2328A/2 STBD
IO.20WE 2555

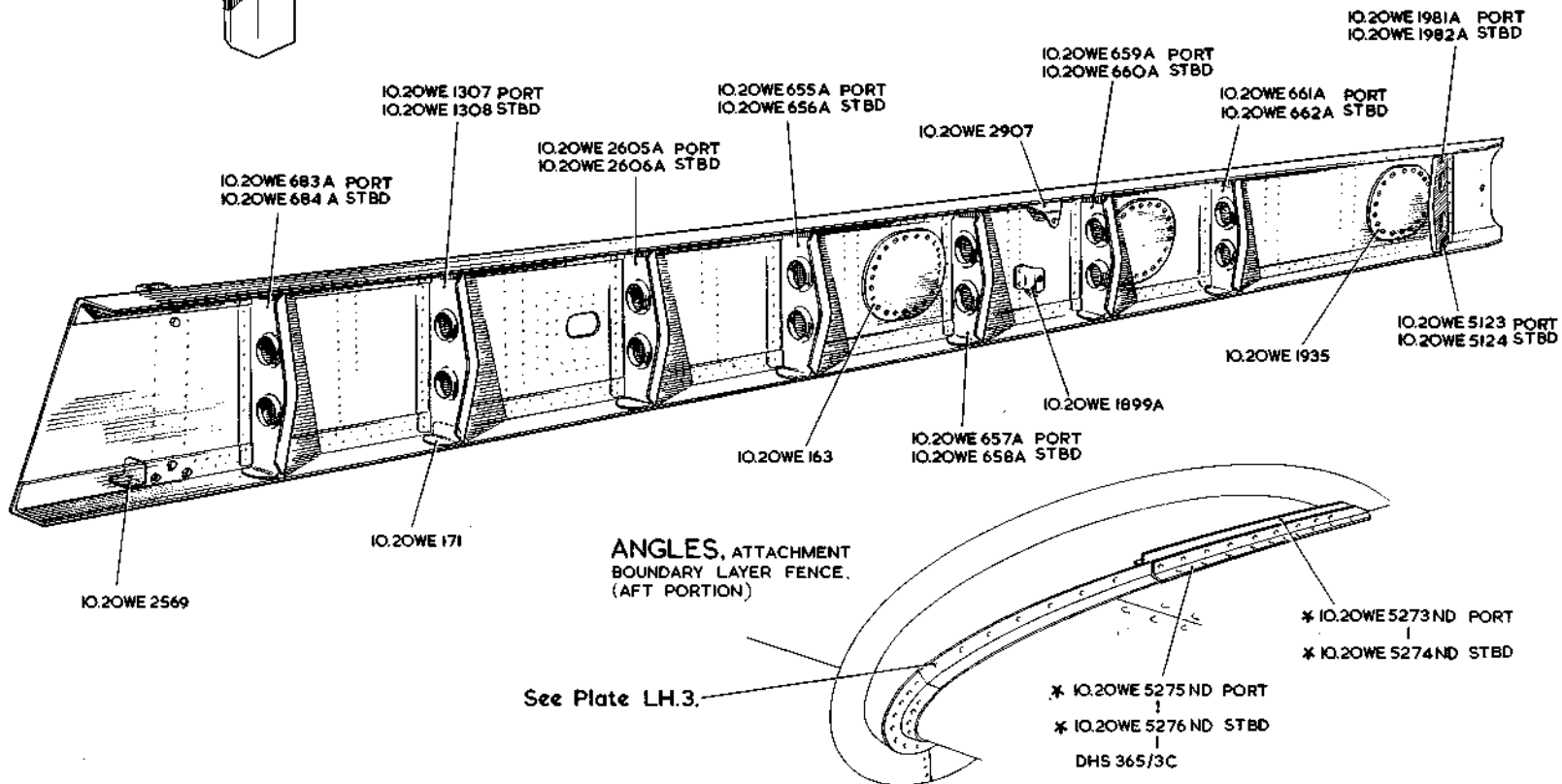
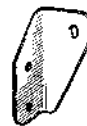
FITTING, END.
IO.20WE 2333 TOP
IO.20WE 2334 BOTTOM



BRACKET, ATTACHMENT.
IO.20WE 5063 PORT
IO.20WE 5064 STBD



BRACKET, CONDUIT.
IO.20 N 229 STBD
IO.20 N 230 PORT



RESTRICTED

RESTRICTED

See Vixen Mk. 1

Plate LH.37

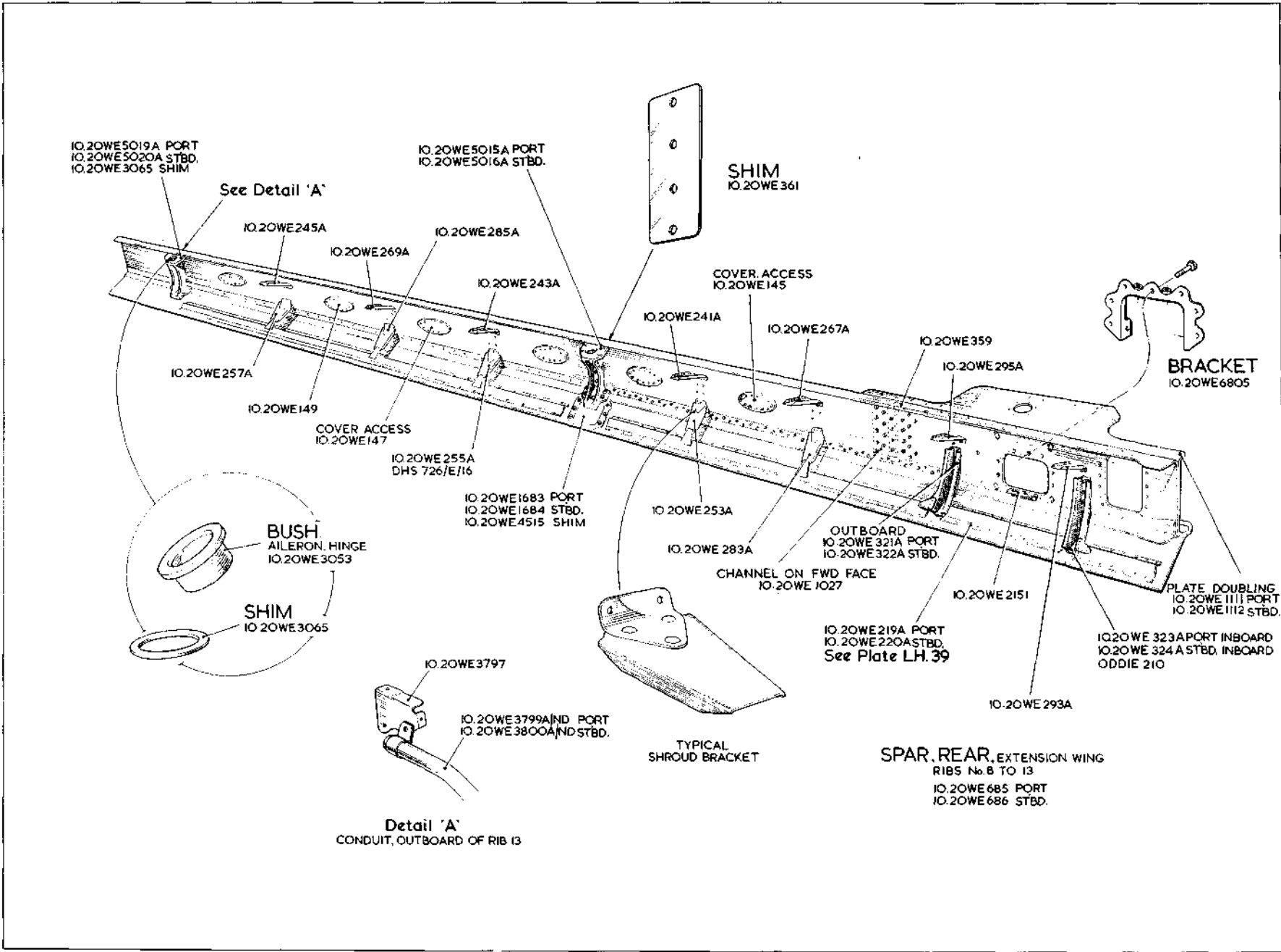
LH.38

MAIN PLANE

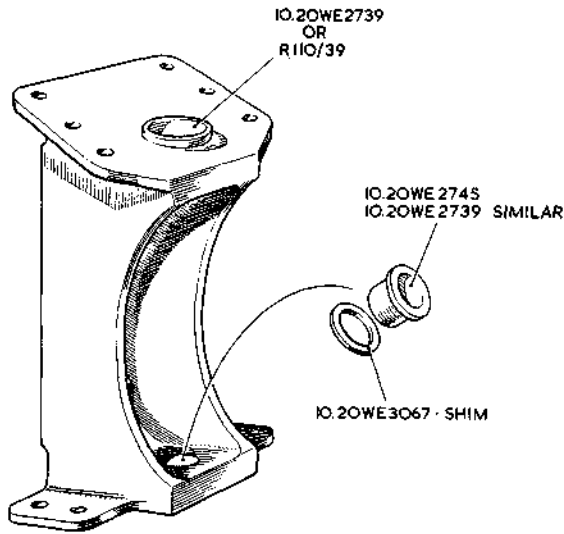
LH.38

WING, EXTENSION

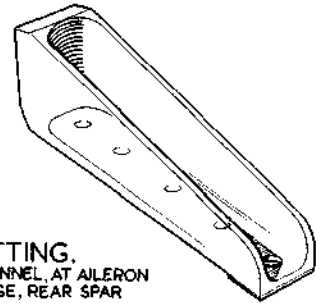
RESTRICTED



SEE TEXT FOR SPARES CONDITION
OF ITEMS MARKED THUS: *

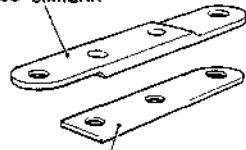


BRACKET, HINGE, ON REAR SPAR, AT RIB No 11
IO.20WE 5015A PORT
IO.20WE 5016A STBD.

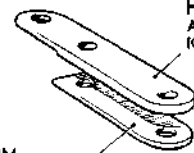


FITTING, CHANNEL, AT AILERON HINGE, REAR SPAR
* IO.20WE1157 PORT
* IO.20WE1158 STBD. | INBOARD
* IO.20WE1159 PORT
* IO.20WE1160 STBD. | OUTBOARD

PACKING, AILERON OUTER HINGE.
IOWE437
IOWE435 SIMILAR

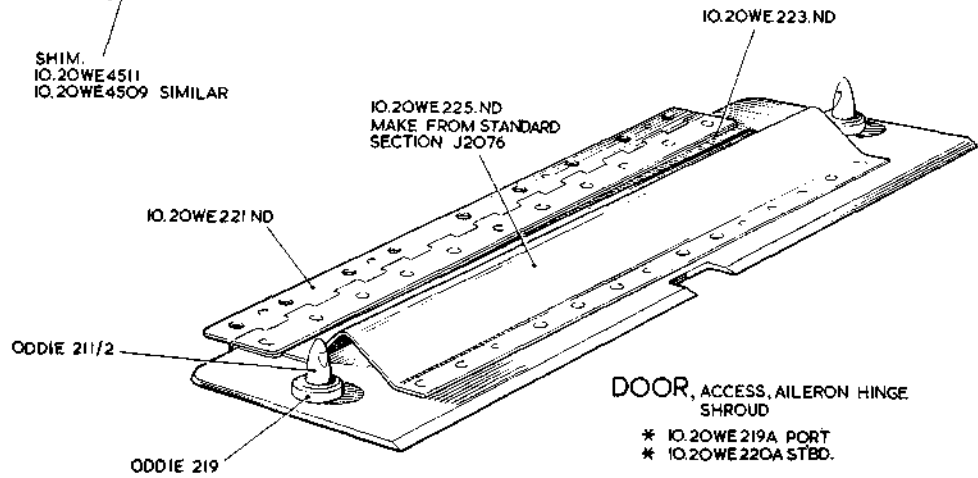


SHIM, IO.20WE4511 IO.20WE4509 SIMILAR

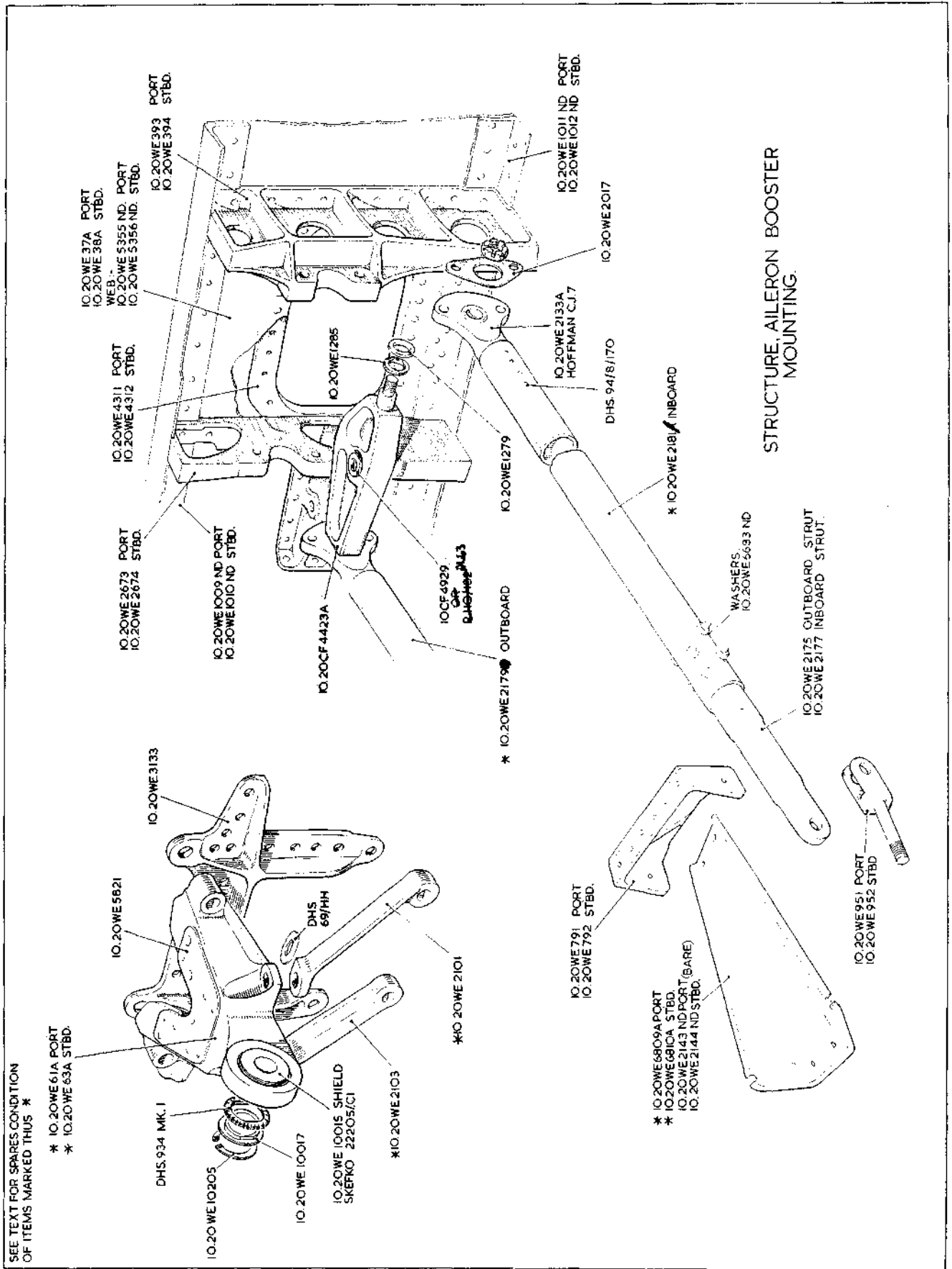


PACKING, AILERON OUTER HINGE.
IOWE439

SHIM, IO.20WE4513



DOOR, ACCESS, AILERON HINGE SHROUD
* IO.20WE219A PORT
* IO.20WE220A STBD.



LH.40

MAIN PLANE WING, EXTENSION

LH.40

[AL 58]

LH.41

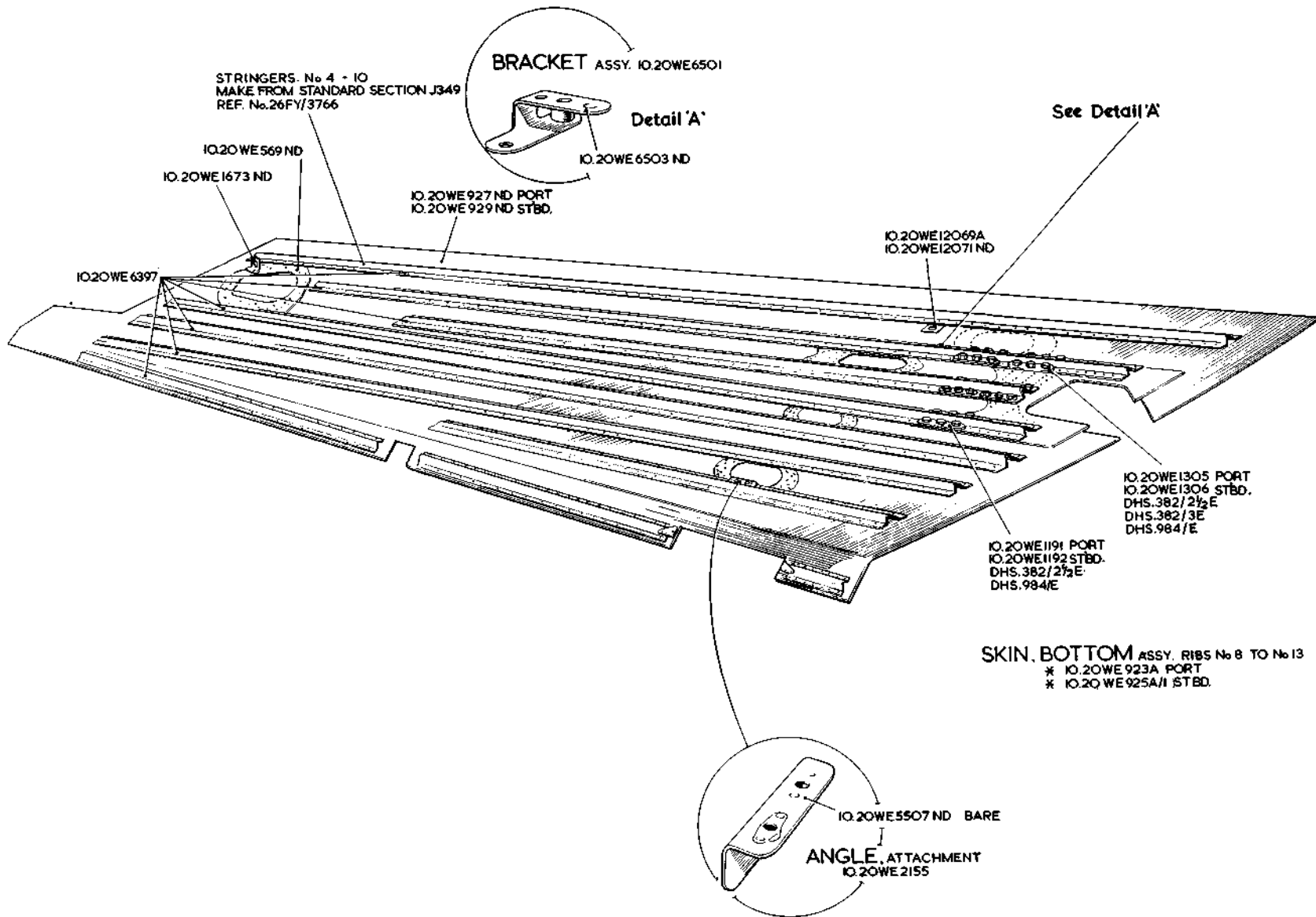
MAIN PLANE

LH.41
[1.58]

WING, EXTENSION

RESTRICTED

SEE TEXT FOR SPARES CONDITION
OF ITEMS MARKED THUS: *



See Vixen Mk. 1

RESTRICTED

Place LH.41

LH.42

MAIN PLANE

WING, EXTENSION

RESTRICTED

LH.42
[All. sg]

SEE TEXT FOR SPARES CONDITION
OF ITEMS MARKED THUS: - *

SKIN, TOP RIBS No 8 TO 13
* IO.20WE821A PORT
* IO.20WE822A STBD.

PLATE REINFORCING
IO.20WE521 ND PORT
IO.20WE522 ND STBD.
DHS 363/ 2 1/2 EE BOLT
DHS 363/4 EE BOLT
DHS 983/E NUT

SKIN, TOP
IO.20WE839 ND PORT
IO.20WE840 ND STBD.

STRINGER No 7
MAKE FROM STANDARD
SECTION J2002

STRIP, SEALING
IO.20WE3061 ND

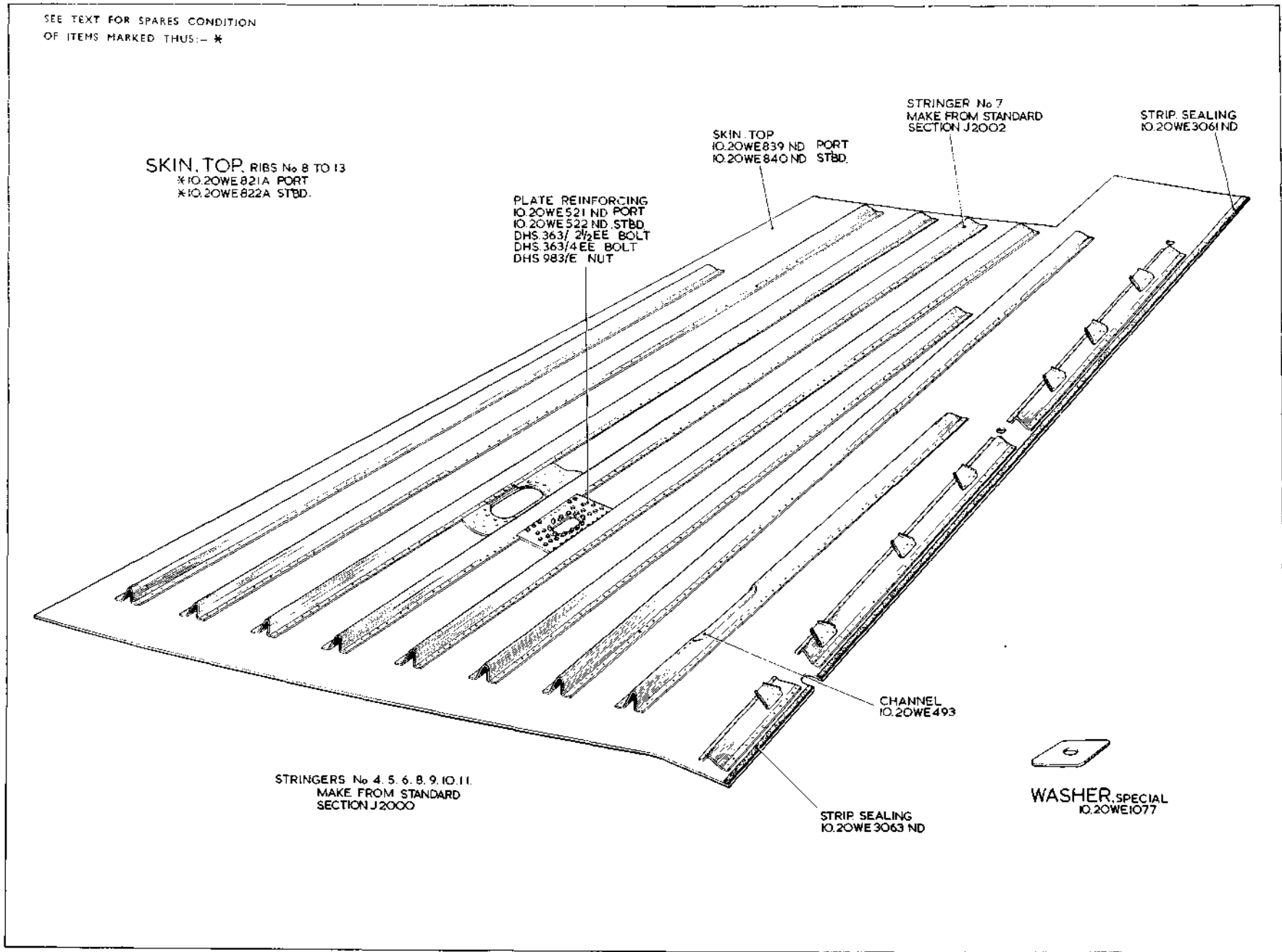
STRINGERS No 4, 5, 6, 8, 9, 10, 11.
MAKE FROM STANDARD
SECTION J2000

CHANNEL
IO.20WE493

STRIP, SEALING
IO.20WE3063 ND



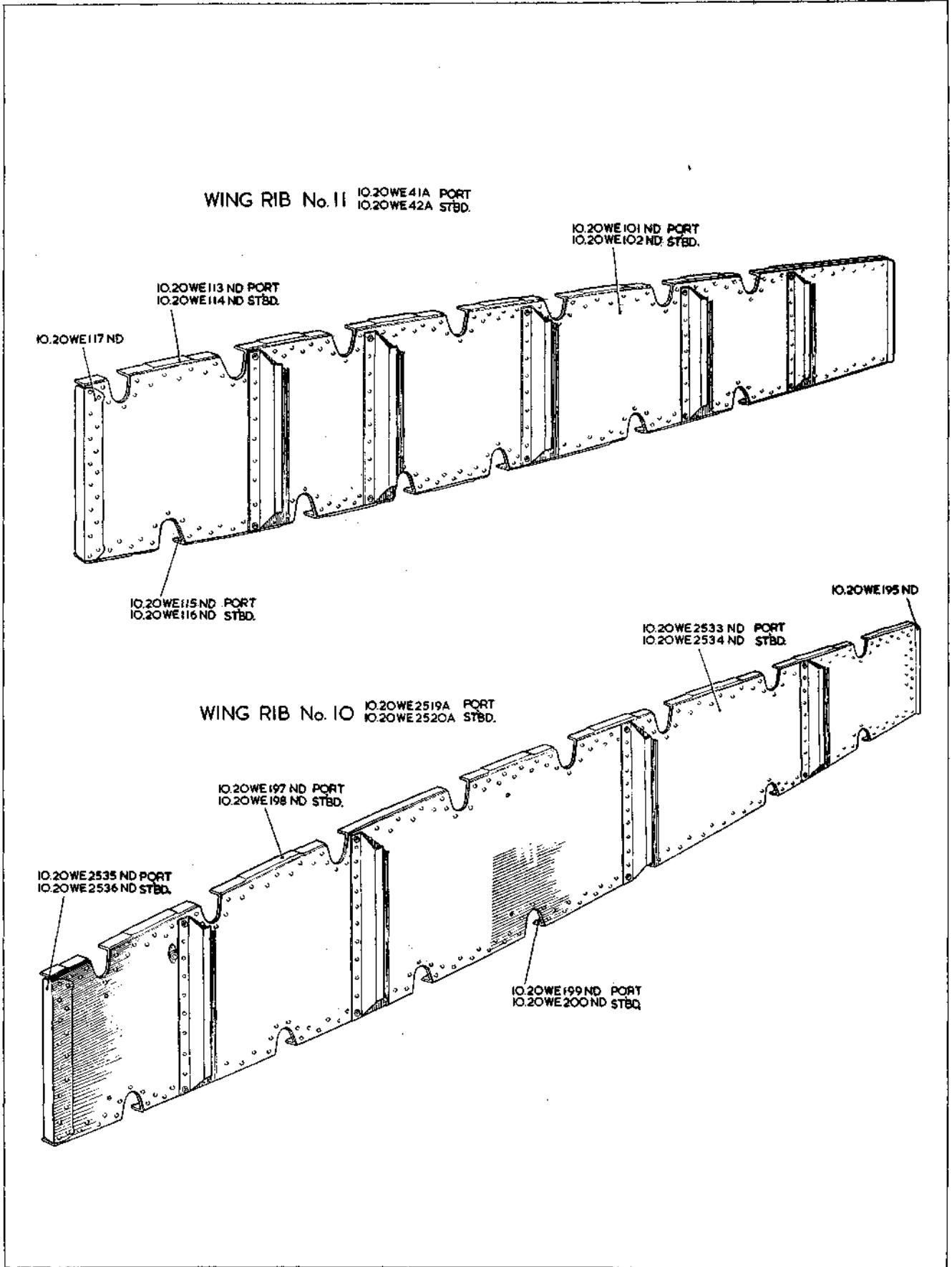
WASHER, SPECIAL
IO.20WE1077



See Vixen Mk. 1

RESTRICTED

Plate LH.42



LH.43

MAIN PLANE

LH.43

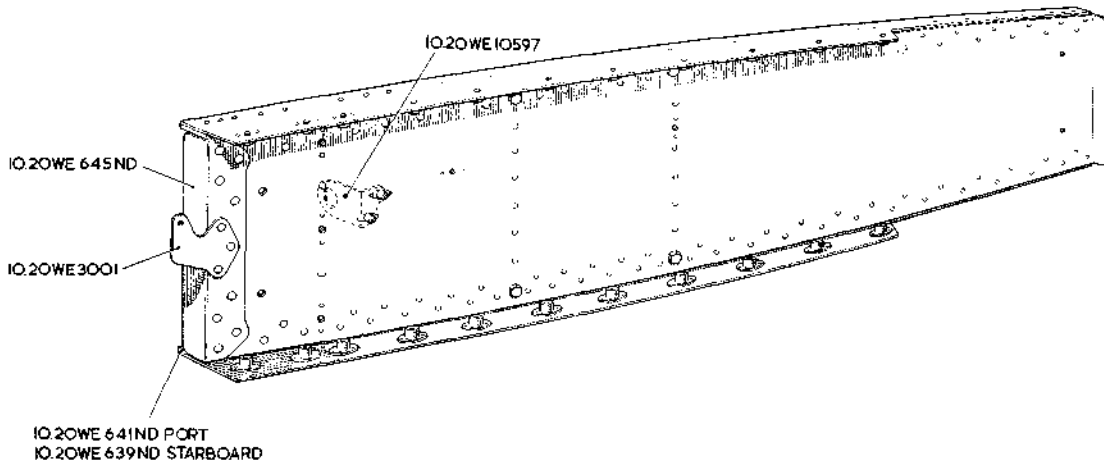
WING, EXTENSION

PL. 58

SEE TEXT FOR SPARES CONDITION
OF ITEMS MARKED THUS —*

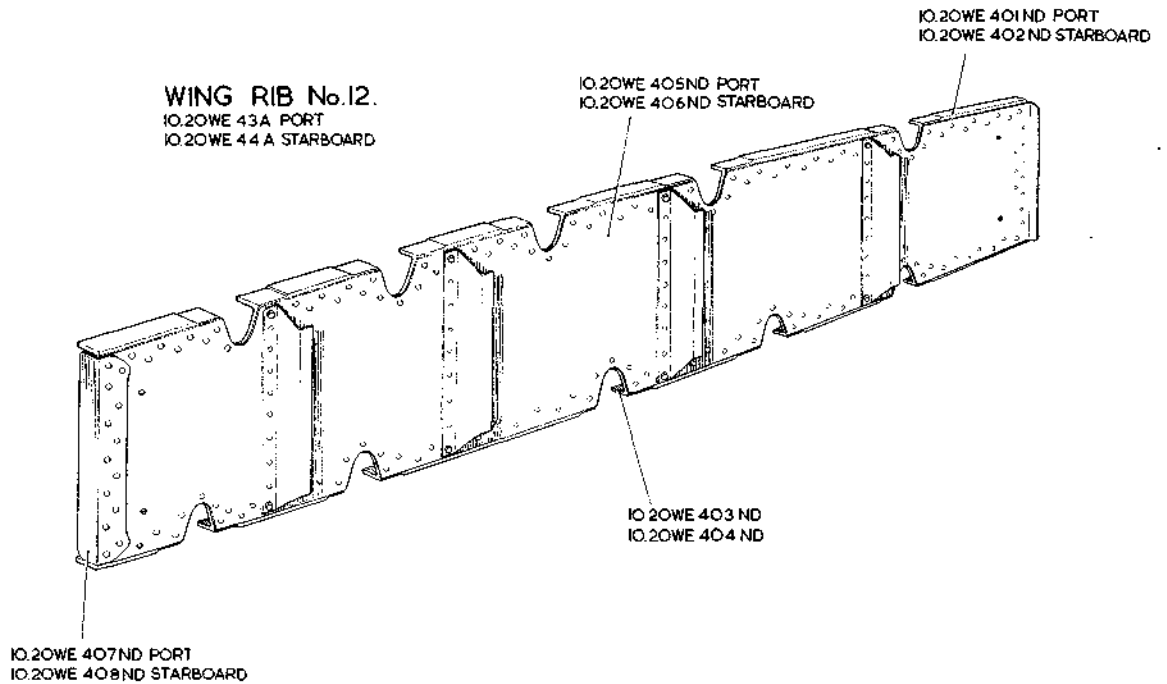
WING RIB No.13.

- * IO.20WE 45 A PORT
- * IO.20WE 46 A STARBOARD



WING RIB No.12.

- IO.20WE 43A PORT
- IO.20WE 44 A STARBOARD



LH.44

MAIN PLANE

LH.44

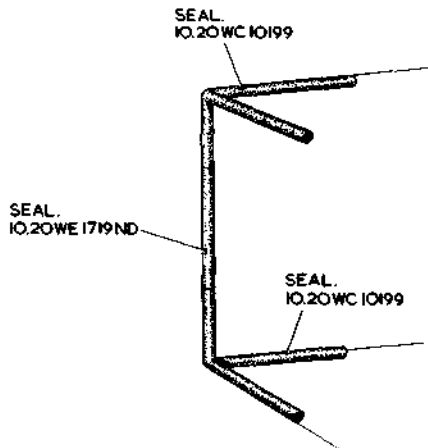
WING, EXTENSION

[A.L.63]

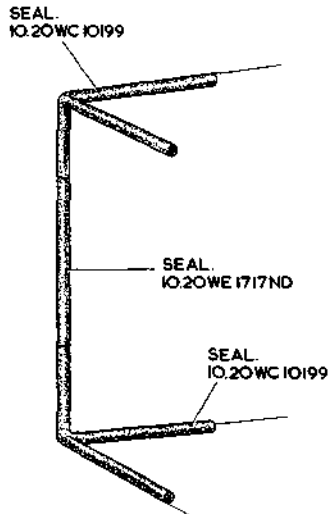
LH.45

MAIN PLANES
WING, EXTENSION

RESTRICTED

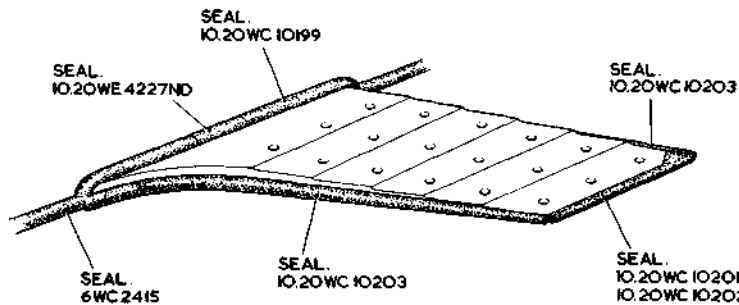


INTERSECTION OF RIB No.8 AND R.S.
IO.20WE 5379A/ND



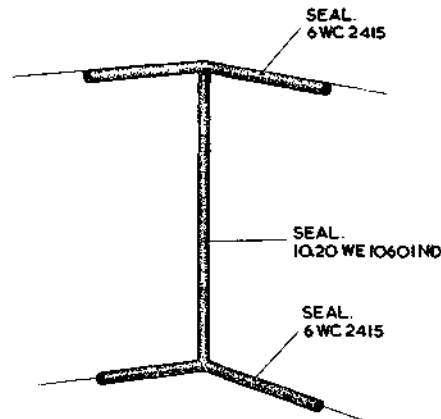
INTERSECTION OF RIB No.4A AND F.S.
IO.20WE 5373A/ND PORT
IO.20WE 5374A/ND STBD.

SEAL, ASSYS.
 BOTTOM CENTRE LATCH:-
 IO.20WE 6469A/ND PORT
 IO.20WE 6470A/ND STBD.
 BOTTOM REAR LATCH:-
 IO.20WE 6473A/ND PORT
 IO.20WE 6474A/ND STBD.
 TOP FORWARD HINGE:-
 IO.20WE 6467A/ND PORT
 IO.20WE 6468A/ND STBD.
 TOP REAR HINGE:-
 IO.20WE 6471A/ND PORT
 IO.20WE 6472A/ND STBD.

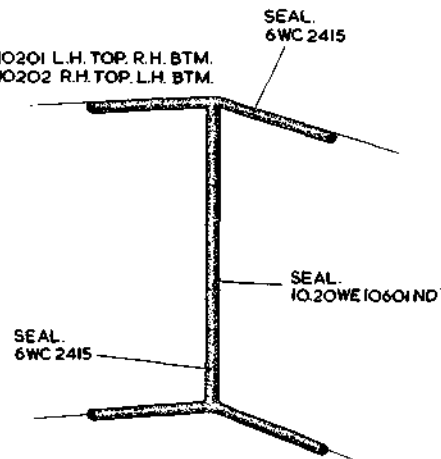


TYPICAL FOR ALL HINGES AND LATCHES.

SEALS, FUEL TANKS Nos. 3 AND 4.
 DRG. No. IO.20WE 4099



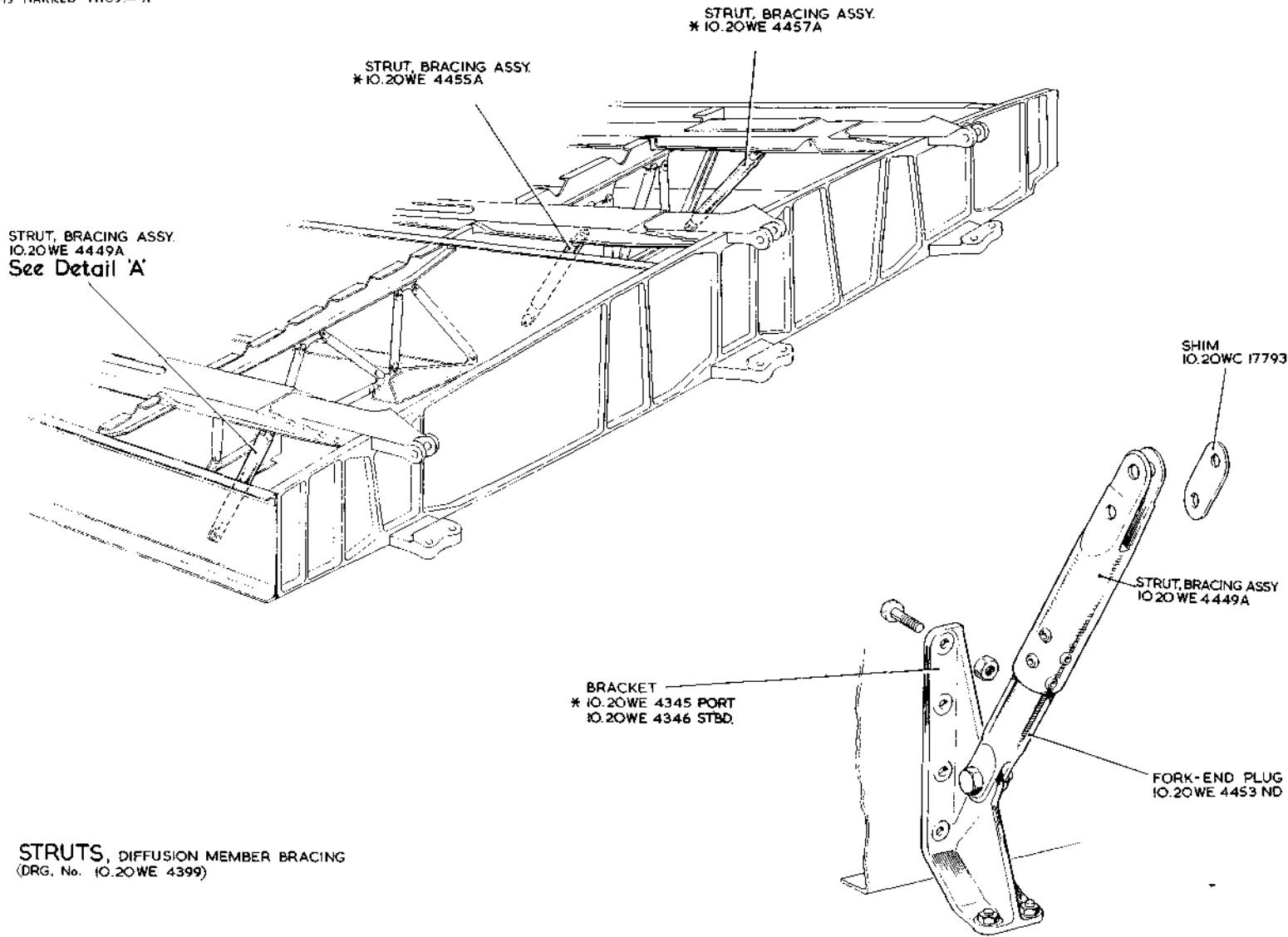
INTERSECTION OF RIB No.8 AND F.S.
IO.20WE 10599ND



INTERSECTION OF RIB No.4A AND R.S.
IO.20WE 10599ND

LH.45
(1 of 9)

SEE TEXT FOR SPARES CONDITION
OF ITEMS MARKED THUS—*



STRUTS, DIFFUSION MEMBER BRACING
(DRG. No. IO.20WE 4399)

Detail 'A'

LH.46

MAIN PLANE
WING, EXTENSION

RESTRICTED

LH.46
[A. 58]

LH.47

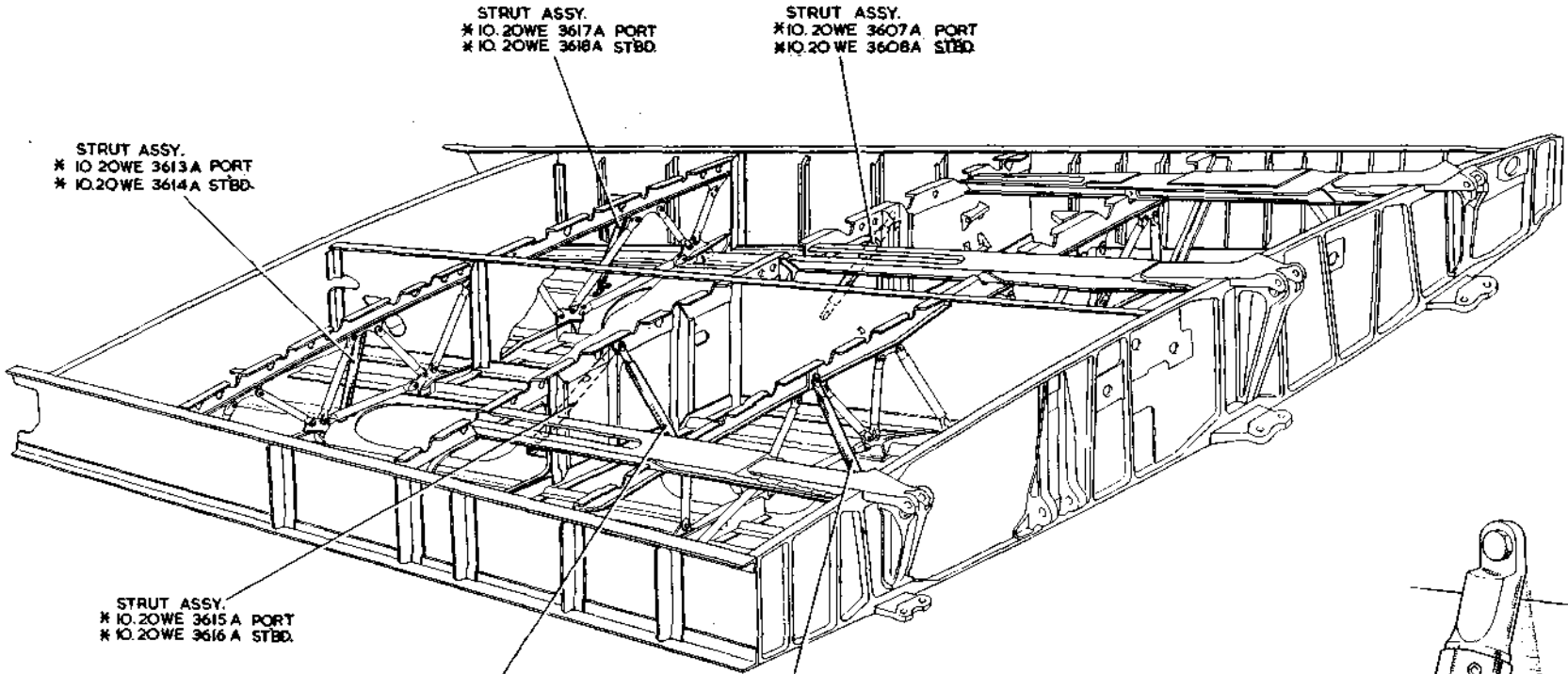
MAIN PLANE

WING, EXTENSION

RESTRICTED

LH.47
[A.58]

SEE TEXT FOR SPARES CONDITION
OF ITEMS MARKED THUS: *



STRUT ASSY.
* IO.20WE 3617A PORT
* IO.20WE 3618A STBD.

STRUT ASSY.
* IO.20WE 3607A PORT
* IO.20WE 3608A STBD.

STRUT ASSY.
* IO.20WE 3613A PORT
* IO.20WE 3614A STBD.

STRUT ASSY.
* IO.20WE 3615A PORT
* IO.20WE 3616A STBD.

STRUT ASSY.
* IO.20WE 3611A PORT
* IO.20WE 3612A STBD.

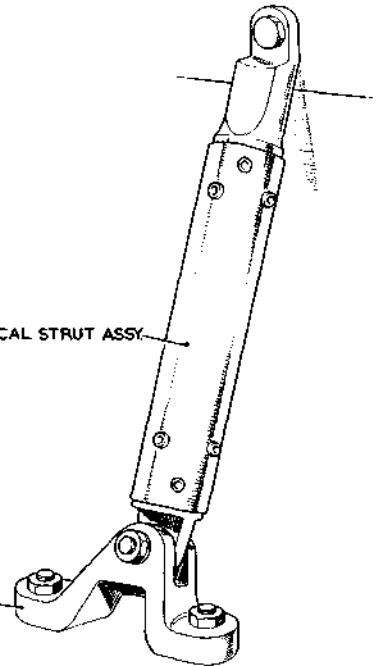
STRUT ASSY.
* IO.20WE 3609A PORT
* IO.20WE 3610A STBD.

STRUTS, SKIN SUPPORT
(DRG. No. IO.20WE 3673)

TYPICAL STRUT ASSY.

SIMILAR
ITEMS

- BRACKET
- IO.20WE 3575
- IO.20WE 3577
- IO.20WE 3579
- IO.20WE 3581
- IO.20WE 3583



See Vixen Mk. I

RESTRICTED

Place LH.47

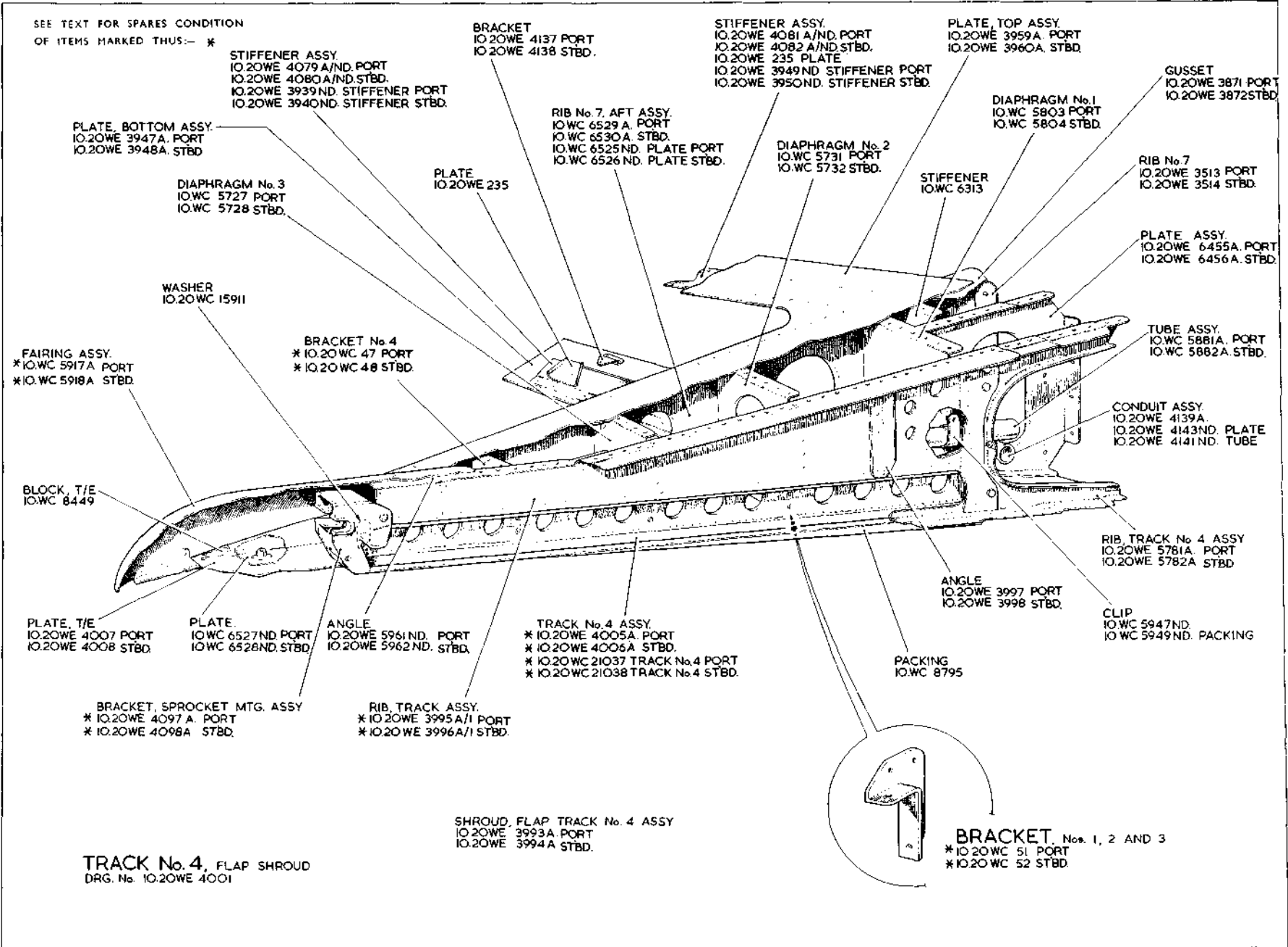
LH.48

MAIN PLANE

WING, EXTENSION

RESTRICTED

SEE TEXT FOR SPARES CONDITION OF ITEMS MARKED THUS: * *



See Vixen Mk. I

RESTRICTED

Plate LH.48

LH.48
[A.L.58]

LH.49

MAIN PLANE

WING, EXTENSION

RESTRICTED

SEE TEXT FOR SPARES CONDITION OF ITEMS MARKED THUS: *

WING-TIP, FORWARD PORTION
S IO.20WE 117 PORT } SPECIAL SPARES ASSEMBLY
S IO.20WE 118 STBD. } C/W ATTACHMENTS
IO.20WE 1487A PORT (PRE MOD 522.)
IO.20WE 1488A STBD. (PRE MOD 522.)
IO.20WE 1487A/I PORT (MOD 522.)
IO.20WE 1488A/I STBD. (MOD 522.)

STRIP, REINFORCING
IO.20WE 1497ND TOP
IO.20WE 1498ND BOTTOM.

STRIP, REINFORCING
IO.20WE 1501ND TOP
IO.20WE 5001ND BOTTOM

IO.20WE 1555A PORT
IO.20WE 1556A STBD.

IO.20WE 1663A/ND PORT
IO.20WE 1664A/ND STBD.

IO.20WE 1505A/ND PORT
IO.20WE 1506A/ND STBD.

IO.20WE 1493ND PORT
IO.20WE 1494ND STBD. OR { IO.20WE 6493ND PORT
IO.20WE 6494ND STBD.

IO.20WE 5203ND

IO.20WE 1509A/ND PORT
IO.20WE 1510A/ND STBD.

IO.20WE 1515ND PORT
IO.20WE 1516ND STBD.

IO.20WE 3531

IO.20WE 1521ND

WING-TIP, AFT PORTION.
S IO.20WE 103 PORT } SPECIAL SPARES ASSEMBLY
S IO.20WE 104 STBD. } C/W ATTACHMENTS
IO.20WE 3969A PORT (PRE MOD. 522.)
IO.20WE 3970A STBD. (PRE MOD. 522.)
IO.20WE 3969A/I PORT (MOD. 522.)
IO.20WE 3970A/I STBD. (MOD. 522.)

LAMP, NAVIGATION.
* IO.20WE 5205A PORT
* IO.20WE 5206A STBD.

IO.20WE 6097

See Vixen Mk. 1

RESTRICTED

Plate LH.49

LH.49
[All 66]

LH.50

MAIN PLANE

WING, EXTENSION

RESTRICTED

SEE TEXT FOR SPARES CONDITION OF ITEMS MARKED THUS: *



INTERCOSTALS
MAKE FROM STANDARD SECTION
J831 OR L73 SHEET



BRACKET.
IO.20WE 3639 PORT
IO.20WE 3640 STBD.



BRACKET.
IO.20WE 2761
IO.20WE 2763
IO WC 11823 SIMILAR
IO WC 11825

IO.20 WE 10657 ND PORT
IO.20 WE 10658 ND ST BD

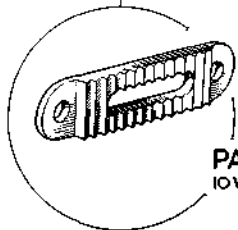
IO.20 WE 10655 ND PORT
IO.20 WE 10656 ND ST BD



CHANNEL, EXTENSION,
RIB No.5.
IO.20WE 3899 PORT
IO.20WE 3900 STBD.

IO.20WC 10663 A PORT
IO.20WC 10664 A ST'BD

IO.20WE 5045 PORT
IO.20WE 5046 STBD



PAD.
IO WC 11161

IO.20WE 2781 ND PORT
IO.20WE 2782 ND STBD

IO WC 7085
(5 OFF)

IO.20WE 3385 PORT
IO.20WE 3386 STBD.

IO.20WE 3427 PORT
IO.20WE 3428 STBD.

SHROUD, FLAP OUTER, EXTENSION WING.

- DRG. No. IO.20WE 95 AND IO.20WE 10671
- * IO.20WE 2225A/NDPORT(PRE MOD 1181)
- * IO.20WE 2226A/NDSTBD.(PRE MOD.1181)
- * IO.20 WE 10189A/ND PORT(MOD 1181)
- * IO.20 WE 10190A/NDSTBD.(MOD 1181)

SKIN, BOTTOM, OUTER.
* IO.20WE 2775A/ND PORT
* IO.20WE 2776A/ND STBD.
IO.20WE 2777 ND PORT(BARE)
IO.20WE 2778 ND STBD.(BARE)

LH.51

SEE TEXT FOR SPARES CONDITION OF ITEMS MARKED THUS: *

* IO.20WE 2758 A STBD.
* IO.20WE 2757 A PORT

RIB No.4A TRAILING EDGE
See Plate LH.24.

IO.20WE 3395 PORT
IO.20WE 3396 STBD.

IO.20WE 3933 ND

BRACKET, REINFORCING.
IO.20WE 3409
TO
IO.20WE 3414

IO.20WE 2859A PORT
IO.20WE 2860A STBD.
IO.20WE 3013 PORT BRACKET
IO.20WE 3014 STBD. BRACKET
IO.20WE 2867 ND PLATE.

ANGLE.
IO.20WE 3383

IO.20WE 3115 ND PORT
IO.20WE 3116 ND STBD.

IOWC 11819 PORT
IOWC 11820 STBD.

IO.20WE 5499
IO.20WE 24929
IOWC 11823
IOWC 11825

IO.20WE 3397

BLOCK, TRAILING EDGE.
IOWC 7369 PORT
IOWC 7370 STBD.

IO.20WE 2761
IO.20WE 2763
IO.20WE 2751 ND PORT TOP
IO.20WE 2752 ND STBD. TOP
IO.20WE 2753 ND PORT BTM.
IO.20WE 2754 ND STBD. BTM.

IO.20WE10075 PORT
IO.20WE10076 STBD.

SKIN, TOP,
COMPLETE WITH RIBS.
IO.20WE 2773 A PORT
IO.20WE 2774 A STBD.

IO.20WE 2969 ND PORT
IO.20WE 2970 ND STBD.

* IO.20WE 3112 A STBD.
* IO.20WE 3111 A PORT
IO.20WE 3093 PORT
IO.20WE 3094 STBD.
IO.20WE 2759 ND PLATE.

TYPICAL REINFORCING
ANGLE IOWC 3117 ND, ETC.
MAKE FROM STANDARD
SECTION J.826

IO.20WE 2855A PORT
IO.20WE 2854A STBD.
IO.20WE 3015 PORT BRACKET
IO.20WE 3016 STBD. BRACKET
IO.20WE 2869 ND PORT PLATE.
IO.20WE 2870 ND STBD. PLATE.

* IO.20WE 3096A STBD.
* IO.20WE 3095A PORT

IO.20WE 3089 ND PORT
IO.20WE 3090 ND STBD.

ANGLE.
IOWC 11821 PORT
IOWC 11822 STBD.

IO.20WE 3403 PORT
IO.20WE 3404 STBD.

IO.20WE 3961

IO.20WE 3407

* IO.20WE 3104 A STBD.
* IO.20WE 3103 A PORT

IO.20WE 4409
IO.20WE 4433 ND TUBE, DISTANCE.

* IO.20WE 3086A STBD.
* IO.20WE 3085A PORT
IO.20WE 2511 ND PORT PLATE.
IO.20WE 2512 ND STBD. PLATE.
IO.20WE 2989 PORT BRACKET
IO.20WE 2990 STBD. BRACKET

IO.20WE 3405

LEVER, BUFFER, ASSY.

MAIN PLANE
WING, EXTENSION

RESTRICTED

LH.51
[LH.51]

See Vixen Mk. 1

RESTRICTED

Plate LH.51

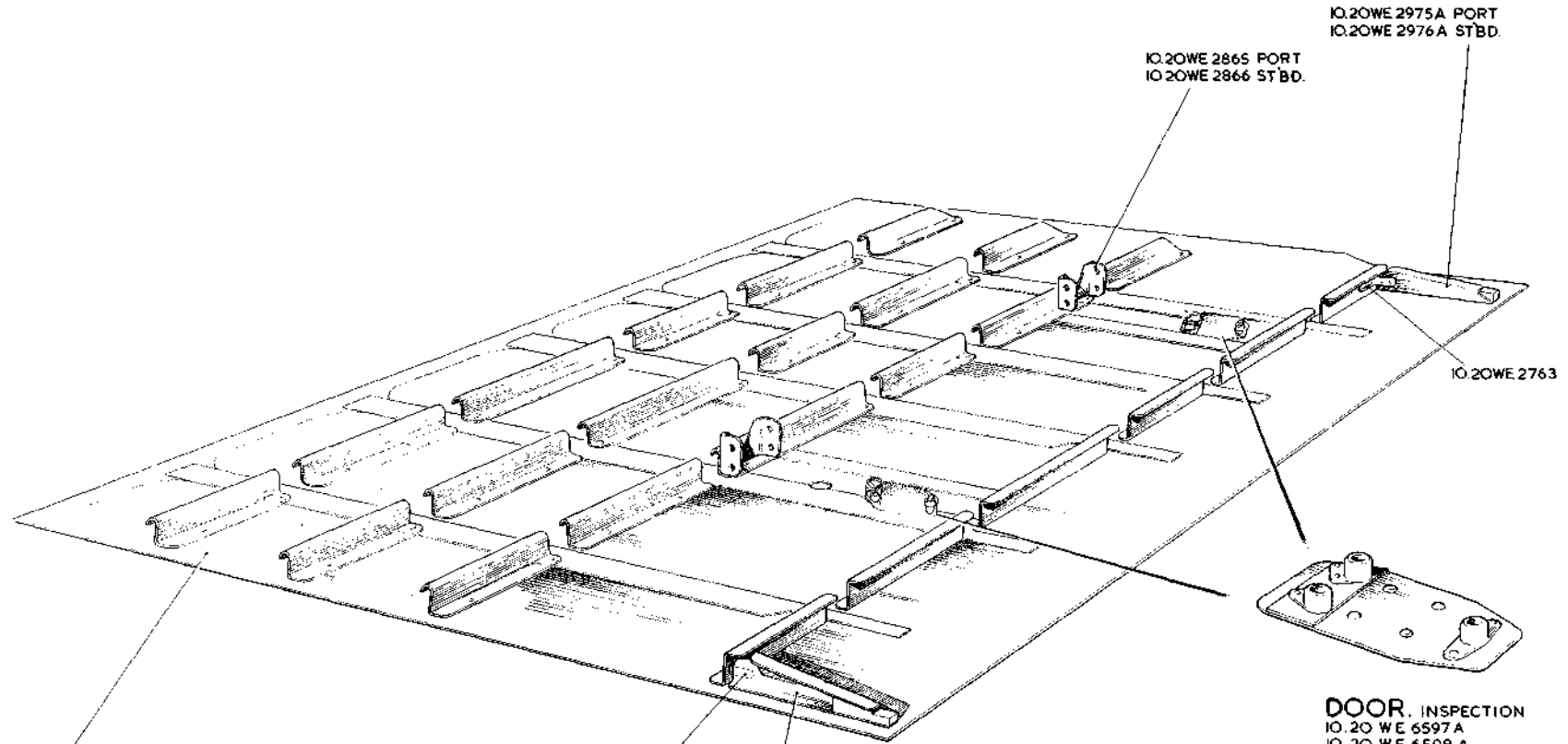
LH.52

MAIN PLANE

WING, EXTENSION

RESTRICTED

SEE TEXT FOR SPARES CONDITION
OF ITEMS MARKED THUS:—*



PANEL, TOP SKIN.
 IO.20WE 3017A/ND PORT
 IO.20WE 3018A/ND STBD.
 IO.20WE 2971ND PORT
 IO.20WE 2972ND STBD.

BRACKET.
 IO.20WE 2761
 IO.20WE 2763

IO.20WE 2973A PORT
 IO.20WE 2974A STBD.

DOOR, INSPECTION
 IO.20 WE 6597 A
 IO.20 WE 6598 A

DHS ~~2004~~ BOLT
 3/25/16

SKIN, TOP, COMPLETE WITH
 INTERCOSTALS, OUTER FLAP SHROUD
 * IO.20WE 2885A PORT
 * IO.20WE 2886A STBD.

BLOCK, TRAILING EDGE.
 IOWC 7369 PORT
 IOWC 7370 STBD.

See Vixen Mk. I

RESTRICTED

Place LH.52

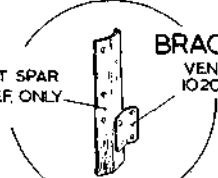
LH.52
[ALS]

LH.53

SEE TEXT FOR SPARES CONDITION OF ITEMS MARKED THUS *


SEAL BONDED
DHS 402/C - 2BA
DHS 402/E - 1/4 BSF

PLATE, REINFORCING
IO2OWE3743


BRACKET, MOUNTING.
VENT PIPE
IO2OWE3711
POST, FRONT SPAR
AT RIB 7, REF ONLY

PLATE, EARTH, AT RIB 8
IO2OWE5227A PORT
IO2OWE5228A STBD.

POST, NOSE RIB 4B
IO2OWE2449A PORT
IO2OWE6829A STBD.

POST, NOSE RIB 6
IO2OWE2451A PORT
IO2OWE2452A STBD.

POST, NOSE RIB 7
IO2OWE2455A PORT
IO2OWE2456A STBD.

BRACKET, MOUNTING
IO2OWE5199A PORT
IO2OWE5200A STBD.
BRACKET, BARE
IO2OWE5197ND, PORT
IO2OWE5198ND STBD.

ANGLE, ATTACHMENT, 2 OFF
IO2OWE3047

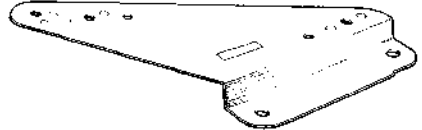
ANGLE, ATTACHMENT, 3 OFF EACH
IOWC4447 PORT
IOWC4448 STBD.

POST NOSE RIB 6A
IO2OWE2453A PORT
IO2OWE2454A STBD.

BRACKET, MOUNTING, DUCT
IO2OWE2911 5 OFF

BRACKET, MOUNTING, DUCT
IO2OWE2909 5 OFF

BRACKET, MOUNTING, CLAMP
IO2OWE5005A



BRACKET, MOUNTING, TERMINAL BLOCK STBD.
IO2OWE5385A
BRACKET, BARE
IO2OWE5387 N D

POST, SHEAR
IO2OWE2447 PORT
IO2OWE2448 STBD.

SPAR, FRONT, RIBS Nos 4A TO 8
* IO2OWE5397A PORT
* IO2OWE5398A STBD.

BRACKET, MOUNTING, TERMINAL BLOCK PORT
IO2OWE5271A
BRACKET, BARE
IO2OWE5269 ND

WING, EXTENSION
MAIN PLANE

RESTRICTED

See Vixen Mk. I

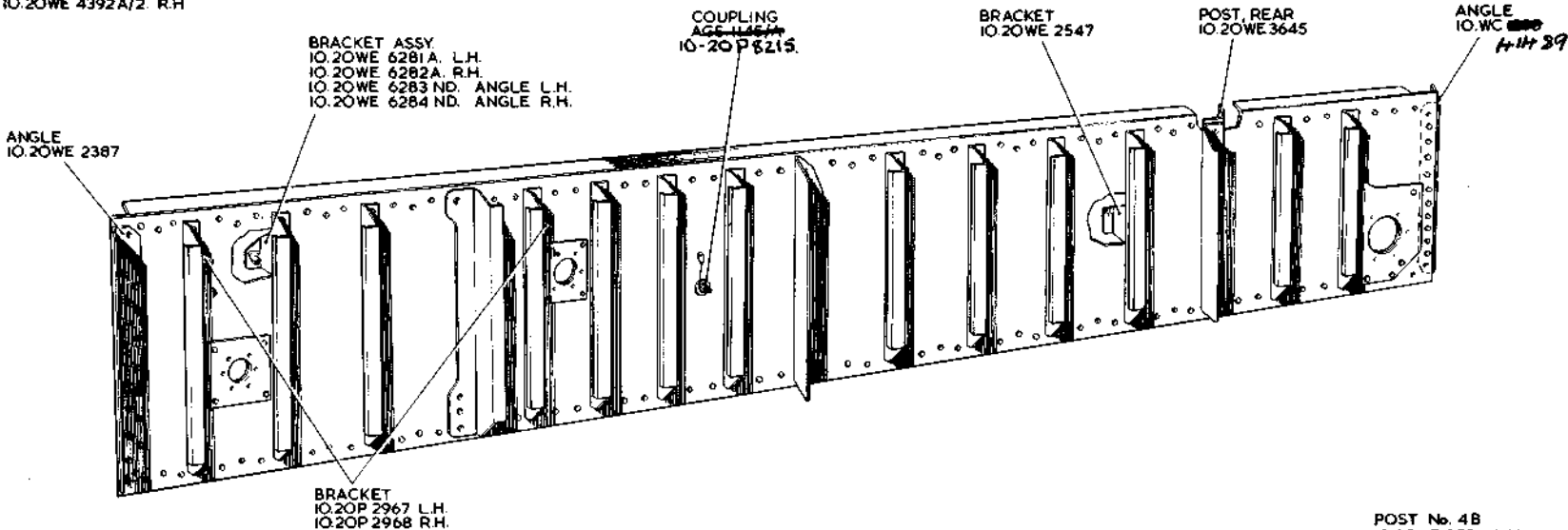
RESTRICTED

LH.53
[All sq]

Plate LH.53

LH.54

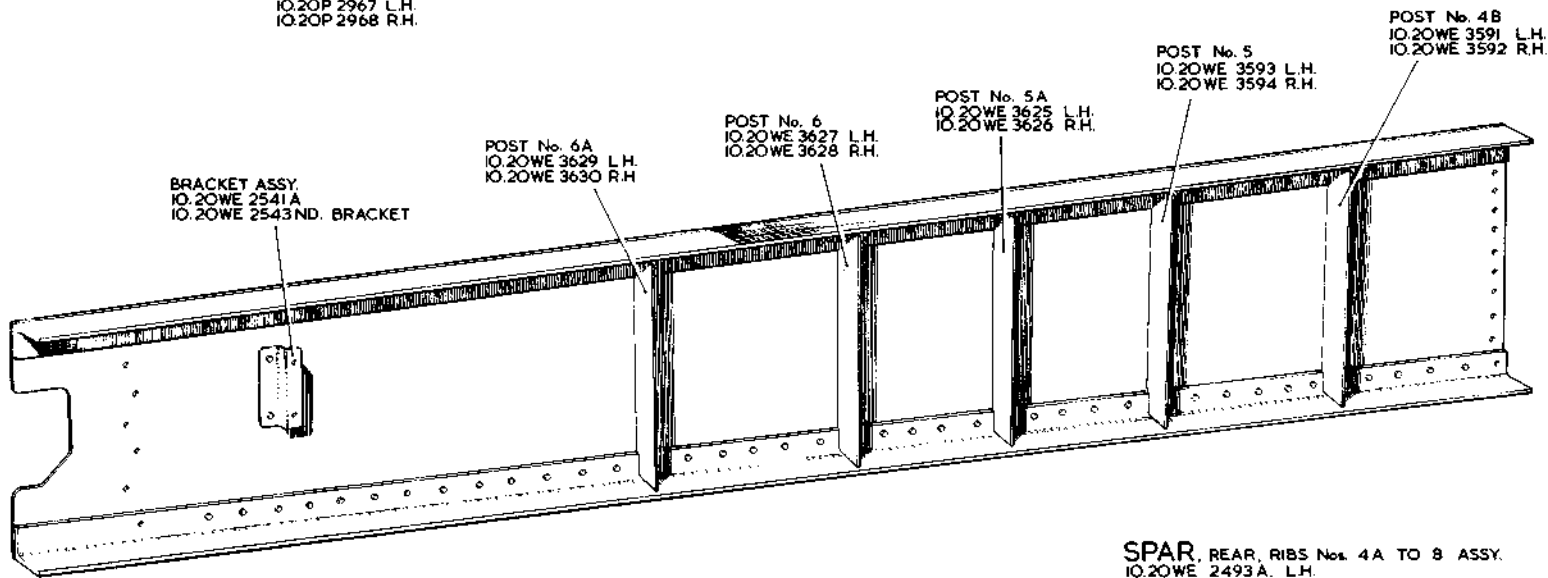
SPAR, MAIN, RIBS Nos. 4A TO 8 ASSY.
10.20WE 4391A/2. L.H.
10.20WE 4392A/2. R.H.



MAIN PLANE

WING, EXTENSION

RESTRICTED



SPAR, REAR, RIBS Nos. 4A TO 8 ASSY.
10.20WE 2493A. L.H.
10.20WE 2494A. R.H.
10.20WE 4341 A/ND. REDUXED ASSY. L.H.
10.20WE 4342 A/ND. REDUXED ASSY. R.H.

LH.54

See Vixen Mk. 1

RESTRICTED

Plate LH.54

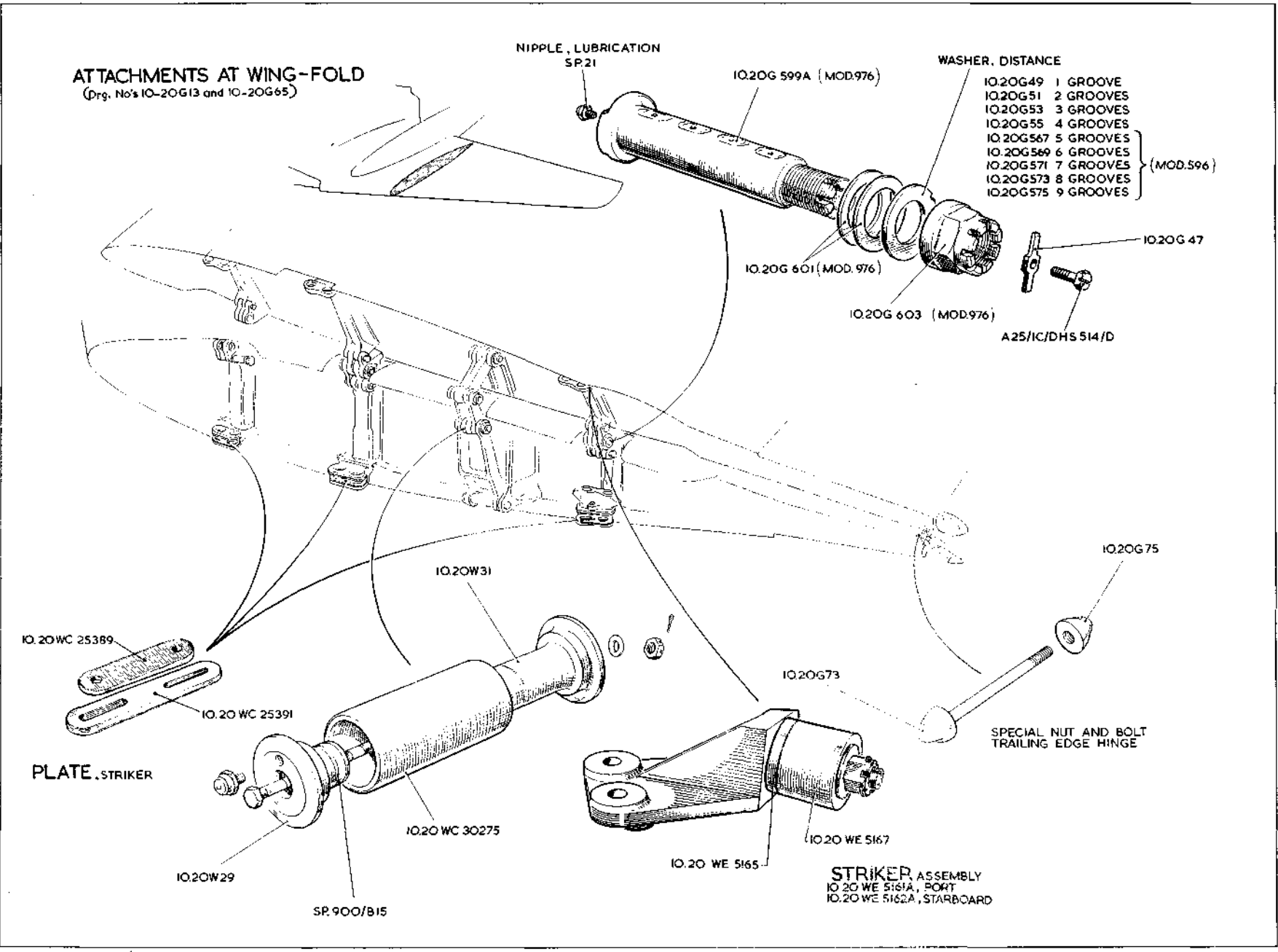
LH.55

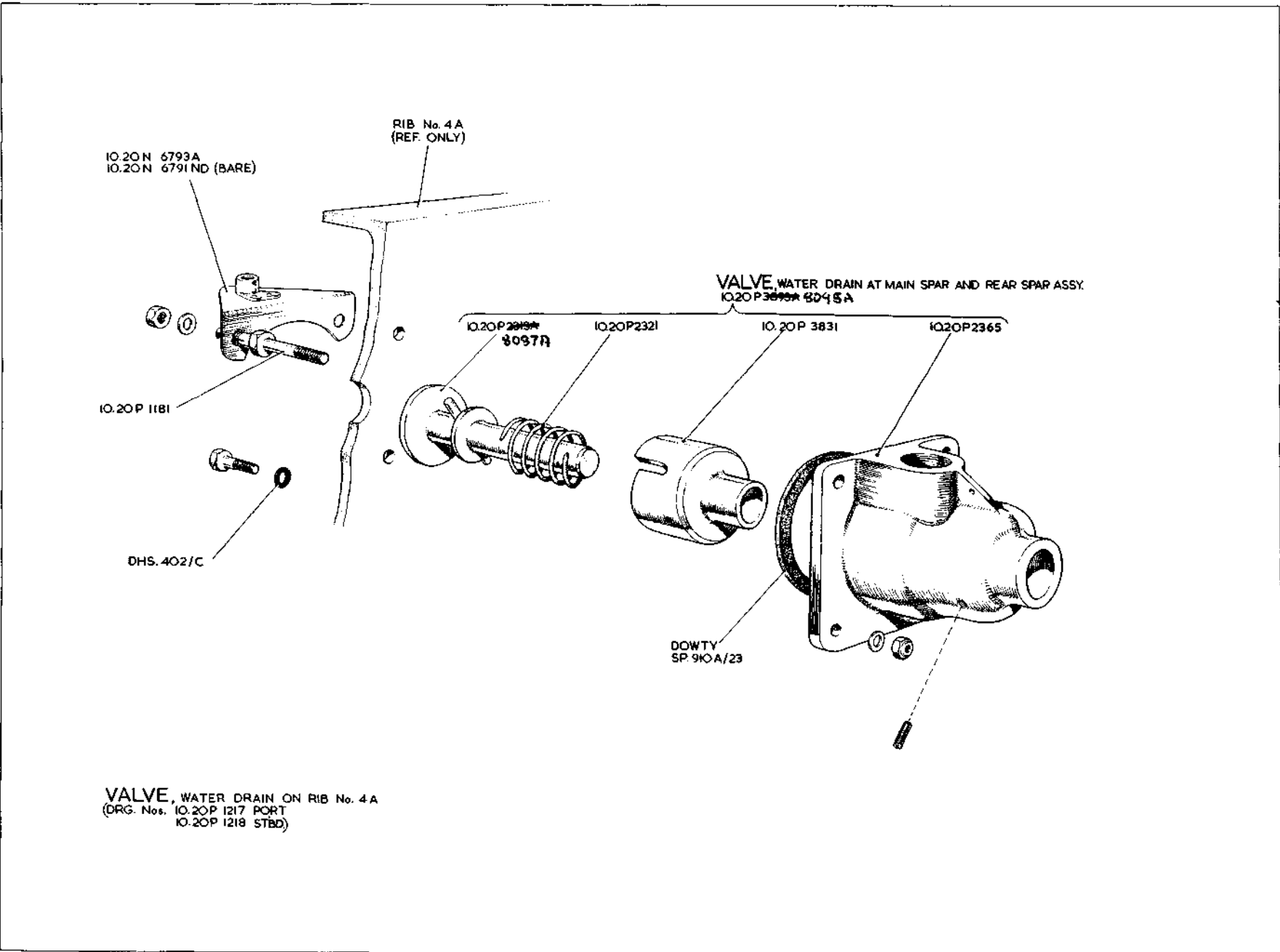
MAIN PLANE

WING, EXTENSION

RESTRICTED

LH.55
[Alt. 69]





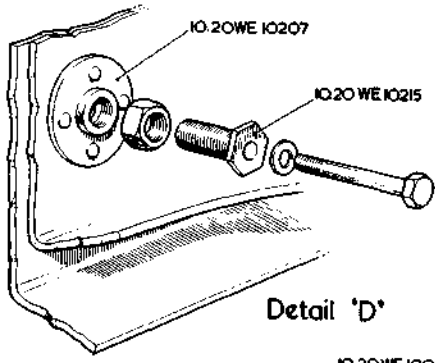
LH.56

MAIN PLANE
WING, EXTENSION

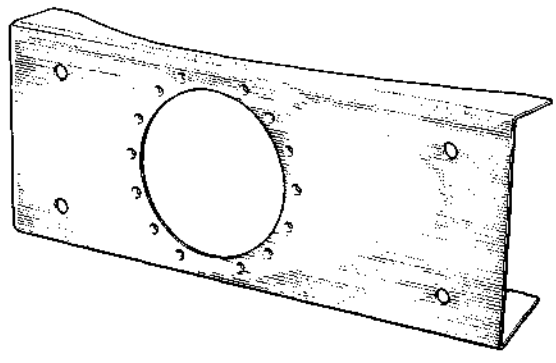
RESTRICTED

LH.56
[LH.56]

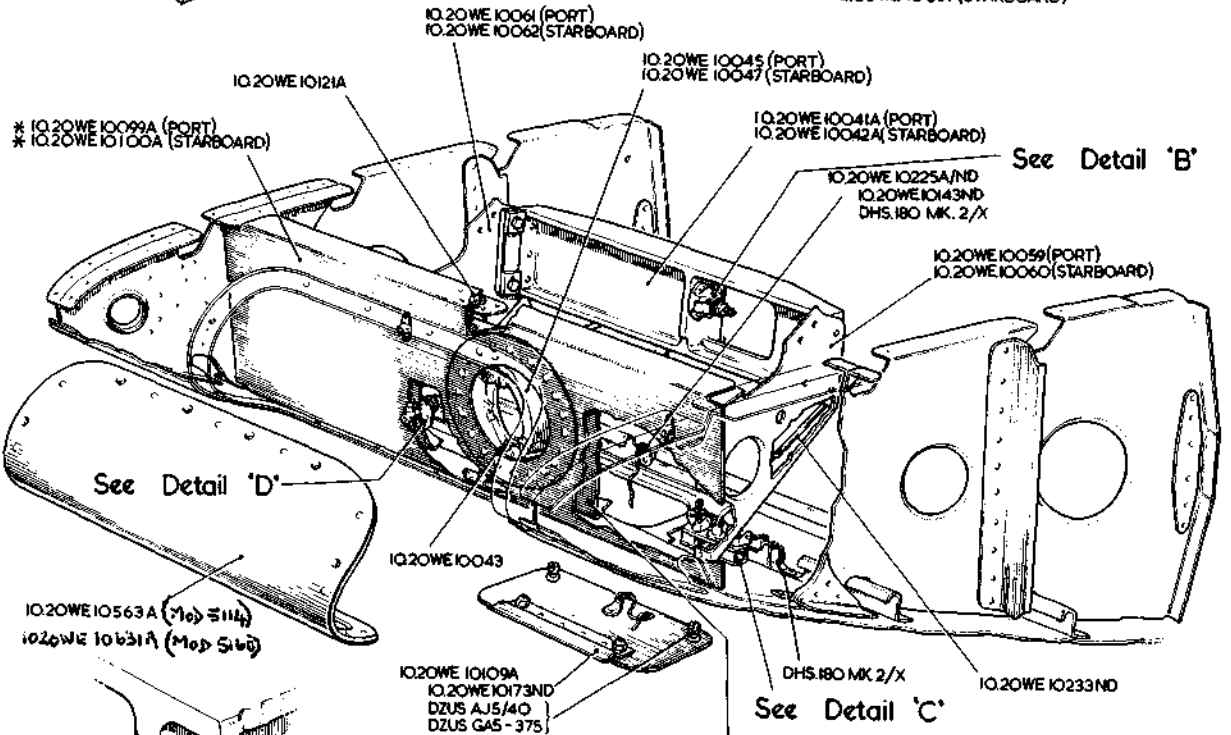
SEE TEXT FOR SPARES CONDITION OF ITEMS MARKED WITH *



Detail 'D'



Detail A IO.20WE 10055 (PORT)
IO.20WE 10057 (STARBOARD)

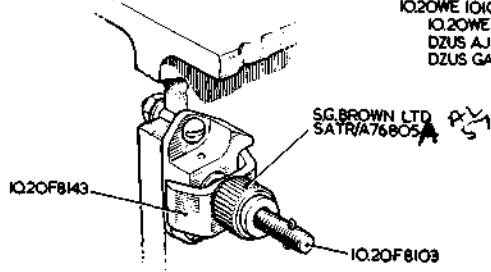


See Detail 'D'

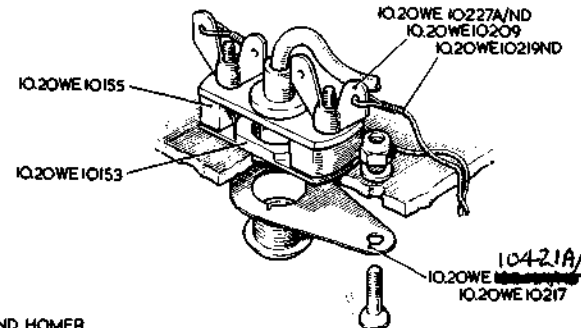
See Detail 'B'

See Detail 'C'

See Detail 'A'



Detail 'B' IO.20WF 8151A



Detail 'C'

MOUNTINGS, WIDE BAND HOMER (DRG. Nos. IO.20WE 10113 AND IO.20WE 10114)

MAIN PLANE WING, EXTENSION



This file was downloaded
from the RTFM Library.

Link: www.scottbouch.com/rtfm

Please see site for usage terms,
and more aircraft documents.