

ACCESSORY GEARBOX

Ref. No.	Part No.	Description	No. off	Material Specification	Class of Store of L.M	Place No.
	—	ACCESSORY GEARBOX, INSTALLATION ...	1	—	—	
		(Drg. No. 10-20 E 2503A)				
		Spares for :—				
5738	10-20 E 2437A	CLAMP , auxiliary gearbox mounting, Port, assembly	1	—	P	MC2
5739	10-20 E 2438A	CLAMP , auxiliary gearbox mounting, Starboard, assembly	1	—	P	MC2
		Spares for :—				
	10-20 E 407	BLOCK , pawl	1	DTD.298	—	MC2
5743	10-20 E 411	BOLT , $\frac{3}{8}$ " BSF, ratchet	1	—	C	MC2
5745	10-20 E 409	BOLT , tapped, 2 BA, pawl	1	—	C	MC2
5741	10-20 E 417	CIRCLIP , special	1	—	C	MC2
26DL/2253	6 EM 125	LEVER	1	—	C	MC2
5744	10-20 E 431	PIN , hinge	1	—	C	MC2
26DL/2254	6 EM 135	SCREW , grub, 2 BA (threads to be liberally coated with chromated sealing compound Ref. No. 33C/1197)	1	—	C	MC2
26DL/2255	6 EM 121	SPRING	1	—	C	MC2
5742	10-20 E 415	TRUNNION , plain hole	1	—	C	MC2
5740	10-20 E 413	TRUNNION , threaded, $\frac{3}{8}$ " BSF	1	—	C	MC2
		(Note :—All moving parts to be assembled with approved high melting point grease DTD.878)				
		Attachments for 10-20 E 2437A or 10-20 E 2438A, Clamp :—				
5746	10-20 E 1573	Bolt, $\frac{1}{2}$ " BSF, cheesehead	4	—	C	MC2
	10-20 E 2635ND	Wire, locking, 4" x 22 SWG (Make from Ref. No. 30A/3055)	2	DTD.189 or DTD.161	LM	MC2
	ROTOL SKA.3272	CLAMP , manacle, at generators	2	—	—	MC1
	ROTOL G.19722	CLAMP , manacle, at integral hydraulic pumps (inboard)	2	—	—	MC1
	ROTOL G.21688	CLAMP , manacle, at Lucas hydraulic pumps (outboard)	2	—	—	MC1
12399	10-20 E 5149	CLIP , "P," breather, attached to Starboard, generator	1	—	C	MC1
37L/338	ROTOL EC.7/1	COUPLING , engine, drive shaft, upper	2	—	P	MC1
37L/5022	ROTOL TG.22/1	GEARBOX , auxiliary (For spares see AP.2240A, Vol. 3, Part 1, Chap. 29)	1	—	P	MC1
		Attachments for Ref. No. 37L/5022, Gearbox :—				
5749	10-20 E 2517	Bolt, $\frac{5}{16}$ " BSF, shouldered, rear centre suspension ...	1	—	C	MC2
28M/5808571	A27/GS	Nut, $\frac{5}{16}$ " BSF	1	—	C	
28P/9527619	SP.90/C7	Pin, split. (SP.9/C8)	1	—	C	
28VV/9419476	SP.15/G	Washer	1	—	C	
5UA/6352	ENGLISH ELECTRIC Type A.M.512A	GENERATOR , engine driven, 28 volt, 9 k.w., clockwise, with manacle flange (Pre Mod. 153)	2	—	P	MC1
5UA/6447	ENGLISH ELECTRIC Type AM.519A	GENERATOR , engine driven (Mod. 153)	2	—	P	MC1

**POWER INSTALLATION
ACCESSORY GEARBOX**

Ref. No.	Part No.	Description	No. off	Material Specification	Class of Store or L.M	Plate No.
5K/3394	AS.3360/B6B	LEAD , bonding, at gearbox rear centre suspension	1	—	C	
28D/9140638	A25/4B	Attachments for AS.3360/B6B, Lead :—				
28M/10327	AGS.2002/B/1	Bolt, 4 BA	1	—	C	
		Nut, 4 BA	1	—	C	
5748	10-20 E 2519A	LINK , gearbox rear centre suspension, assembly ...	1	—	C	MC2
		Spares for :—				
	DHS.418/2/J/''-20	BUSH	2	DTD.197	—	MC2
	DHS.418/2/N/''-20	BUSH	2	DTD.197	—	MC2
5747	10-20 E 2513A	LUG , gearbox rear centre suspension, on rib "O." assembly	1	—	C	MC2
		Spares for :—				
	DHS.419/2/J/''-60	BUSH	1	DTD.197	—	MC2
		Attachments for 10-20 E 2513A, Lug :—				
28D/1011242	A25/7E	Bolt, 1/2" BSF	2	—	C	
28M/1011475	A27/EP	Nut, 1/2" BSF	2	—	C	
	DHS.729/E12	Washer, support, 12 SWG (Make from standard section J.2046)	2	DTD.746	LM	MC2
	—	PIN , gearbox rear centre suspension link attachment, group	1	—	—	MC2
28D/9140638	A25/4B	BOLT , 4 BA, chain attachment	1	—	C	
20807	10-20 EC 8295A	CHAIN , assembly	1	—	C	MC2
29H/4114	—	CHAIN , bare, 8" long	QR	—	C	MC2
12026	DHS.180 Mk. 1/Z	TAG	1	—	C	MC2
28M/10327	AGS.2002/B/1	NUT , 4 BA, chain attachment	1	—	C	
	AVDEL LTD.					
28FP/883	5134/611	PIN , "Pip," quick release, with handle	1	—	C	MC2
20473	10-20 E 4635ND	PIPE , gearbox breather, to outboard drain	1	—	C	MC1
	—	PUMPS , hydraulic (See sub-section QR)	—	—	—	—
9351	10-20 E 4065	SEAL , generator cooling inlet	2	—	C	MC1
27QA/338	DOWTY SP.901/30	SEAL , ring, oil resistant, at generator	2	—	C	MC1
27L/346	ROTOL GD.20/1	SHAFT , drive, gearbox (For spares see AP.2240, Vol. 3, Part 1, Chap. 29)	2	—	P	MC1
	10-20 E 4921A	SUPPORT , generator cooling inlet seal, assembly ...	2	—	—	MC1
28E/19826	SP.91/N	CLIP , adjustable	1	—	C	
9352	10-20 E 4067A	SUPPORT , seal, assembly	1	—	C	MC1

MC.1

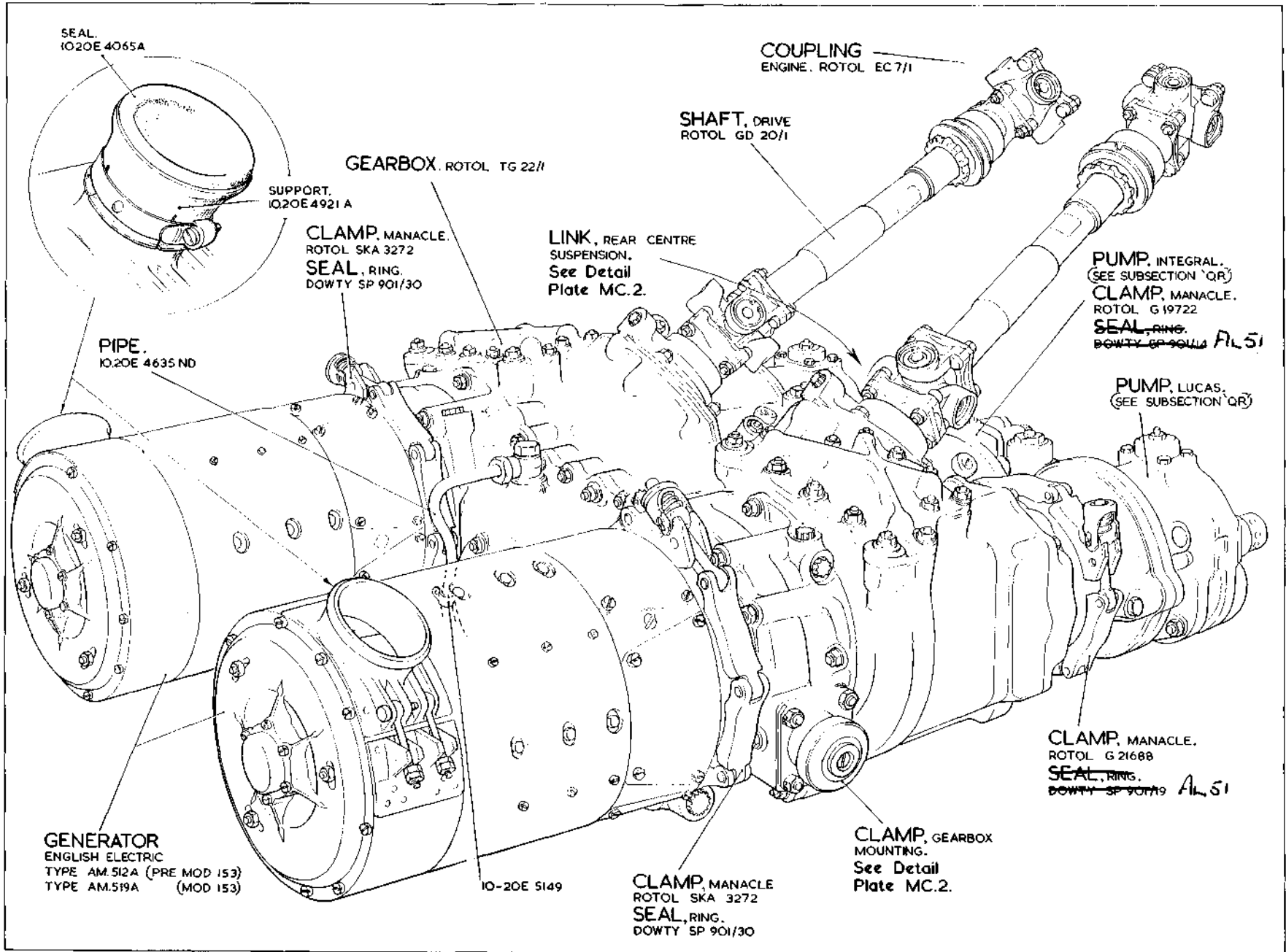
POWER INSTALLATION

MC.1

ACCESSORY GEARBOX

RESTRICTED

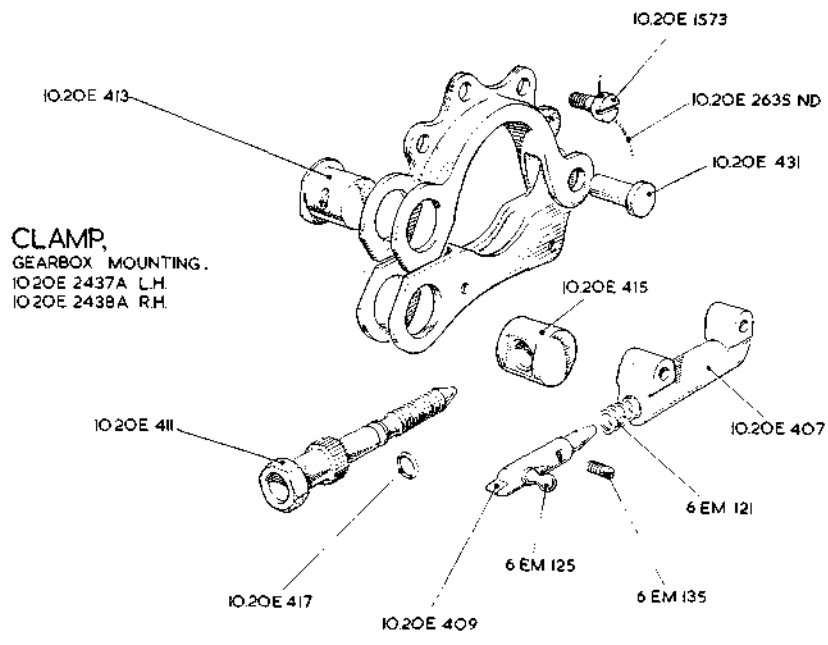
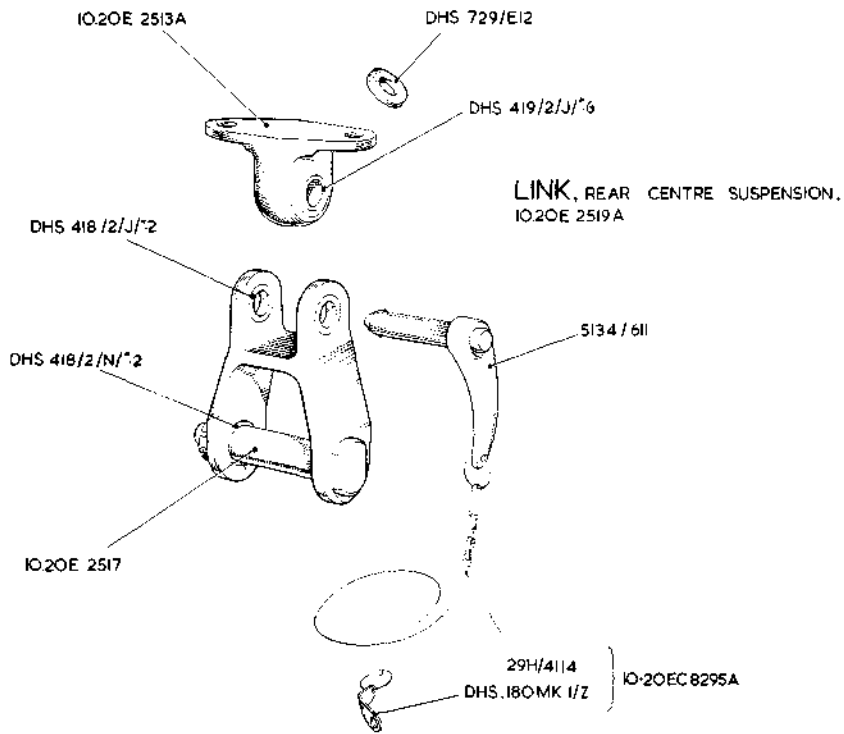
[A.L.25]



See Vixen Mk.1

RESTRICTED

Plate MC.1



MC.2

POWER INSTALLATION

MC.2

ACCESSORY GEARBOX

[A.L.23]