

**POWER INSTALLATION
ENGINE COWLINGS, BOTTOM**

Ref. No.	Part No.	Description	No. off	Material Specification	Class of Store or L.M.	Plate No.
		ENGINE COWLING DOORS, BOTTOM, GROUP (Drg. No. 10-20 EC 5429)	1	—	—	
221	S10-20 EC 51	COWLING , door, bottom, front, between firewalls, Port (Special spares assembly complete with attachments) (0"·2 trim allowance) (For a/c Serial Nos. XJ.474 to XJ.493)	1	—	P	ME2
219	S10-20 EC 45	COWLING , door, bottom, front, between firewalls, Port (Special spares assembly complete with attachments) (For a/c Serial No. XJ.494 and subsequent)	1	—	P	ME2
	10-20 EC 14067A	COWLING , engine, bottom, front, between firewalls, Port, assembly (Mod. 1275)	1	—	—	ME2
	10-20 EC 8513ND	ANGLE , tie, inboard stiffeners Nos. 1, 2 and 4 20 SWG	3	L.72	LM	ME2
	10-20 EC 8647ND	ANGLE , tie, inboard stiffeners Nos. 2, 4 and 5 20 SWG	3	L.72	LM	ME2
	10-20 EC 8511ND	ANGLE , tie, outboard stiffener No. 2, 20 SWG	1	L.72	LM	ME2
	10-20 EC 8645ND	ANGLE , tie, outboard stiffener No. 4, 20 SWG	1	L.72	LM	ME2
12131	10-20 EC 5891A	BRACKET , hinge, aft, assembly	1	—	C	ME2
12132	10-20 20 EC 5895A	BRACKET , hinge, forward, assembly	1	—	C	ME2
17791	DHS.419/1/G·30	BUSH ... Attachments for 10-20 EC 5891A or 10-20 EC 5895A, Bracket:—	2	—	C	ME2
28D/7002413	A25/14E	Bolt, 1/2" BSF	3	—	C	
28M/7002430	AGS.2002/E/1	Nut, 1/2" BSF	3	—	C	
28W/9419487	SP.16/E	Washer	3	—	C	
	10-20 EC 10007A	BRACKET , strut anchor support, assembly	1	—	—	ME2
	10-20 EC 10019ND	BRACKET , aft, 20 SWG	1	L.72	LM	ME2
	10-20 EC 10023ND	BRACKET , forward, 20 SWG	1	L.72	LM	ME2
	10-20 EC 10019ND	BRACKET , support, strut anchor bolt, 20 SWG	1	L.72	LM	ME2
	10-20 EC 14219A	BRACKET , toggle, aft, assembly (For spares use 10-20 EC 14227A/ND)	1	—	—	ME2
20227	10-20 EC 14227A/ND	BRACKET , toggle, aft, assembly (Spares condition)	1	—	P	
20217	10-20 EC 14203	BUSH , toggle	2	—	C	ME2
	10-20 EC 14275	PLATE , stop, 8 SWG	1	S.514	LM	ME2
	10-20 EC 14215A	BRACKET , toggle, forward, assembly (For spares use 10-20 EC 14225A/ND)	1	—	—	ME2
20226	10-20 EC 14225A/ND	BRACKET toggle, forward, assembly (Spares condition)	1	—	P	
20217	10-20 EC 14203	BUSH , toggle	2	—	C	ME2
	10-20 EC 14275	PLATE , stop, 8 SWG	1	S.514	LM	ME2
	10-20 EC 10011A	CLIP , strut, retaining, assembly	1	—	—	ME2
28E/5452	10-20 EC 10015ND	BRACKET , clip support, 16 SWG	1	L.72	LM	ME2
	AGS.895/1	CLIP	1	—	C	
	10-20 EC 10085A	DOOR , fastener access, aft, assembly (For spares use 10-20 EC 10139A/ND)	1	—	—	ME2
16529	10-20 EC 10139A/ND	DOOR , fastener access, aft, assembly (Spares condition)	1	—	P	
	10-20 EC 10087A	DOOR , fastener access, forward, assembly (For spares use 10-20 EC 10141A/ND)	1	—	—	ME2

POWER INSTALLATION
ENGINE COWLINGS, BOTTOM

Ref. No.	Part No.	Description	No. off	Material Specification	Class of Score or L.M.	Place No.
16530	10-20 EC 10141A/ND	DOOR , fastener access, forward, assembly ... (Spares condition) Spares for :—	1	—	P	
	10-20 EC 10047	BRACKET , fastener check, aft door, 20 SWG	1	L.72	LM	ME2
	10-20 EC 10049	BRACKET , fastener check, fastener door, 20 SWG	1	L.72	LM	ME2
28FP/802	DZUS EFS/35A/DS 10 EC 2463A	FASTENER HINGE , assembly (For spares use 10-20 EC 9107A/ND)	1 1	— —	C —	ME3 ME2
10196	10-20 EC 9107A/ND	HINGE , assembly (Spares condition) ...	1	—	C	
	10-20 EC 9653ND	PLATE , stop	1	LFS.26	LM	ME2
	10-20 EC 8521ND	DOUBLER , skin, at aerial aperture ...	1	L.72	LM	ME2
19665	10-20 EC 14055A	FASTENER , toggle, assembly Attachments for 10-20 EC 14055A Fastener	2	—	C	ME2
28P/17764	SP.113/G4	Pin, shackle	2	—	C	
SP28/19128	SP.90/E4	Pin, split (SP.9/E6)	2	—	C	
28VV/9419455	SP.10/G	Washer	2	—	C	
11070	DHS.1006	HOUSING , spring	2	—	C	
	10-20 EC 4465ND	MEMBER , inner edge, 20 SWG	1	—	LM	ME2
28M/1007403	A27/ET	NUT , 1/2" BSF, locking, for adjustment screw, toggle fastener	2	—	C	
	10-20 EC 995ND	PLATE , tie, stiffeners Nos. 2 and 4	2	L.72	LM	ME2
1192	10-20 EC 939	PLATE , packing, at toggle fastener door hinges	2	—	C	ME2
	10-20 EC 8473ND	PLATE , top, 20 SWG	1	L.72	—	ME2
	10-20 EC 8481ND	PLATE , top, 22 SWG	1	L.72	—	ME2
	10-20 EC 9497ND	PLATE , top, 22 SWG	1	L.72	—	ME2
	10-20 EC 8489ND	PLATE , top, 22 SWG	1	L.72	—	ME2
	10-20 EC 8505ND	PLATE , top, 20 SWG	1	L.72	—	ME2
28S/—	AS.2991/7E	SCREW , adjustment, toggle fastener ...	2	—	C	
	10-20 EC 1425ND	SEAL , inner edge, aft (Make from standard section J.695, Ref. No. 26FY/1185)	1	—	LM	ME2
	10-20 EC 4729ND	SEAL , inner edge, between hinges (Make from standard section J.695, Ref. No. 26FY/1185)	1	—	LM	ME2
	10-20 EC 1419ND	SEAL , inner edge, forward (Make from standard section J.695, Ref. No. 26FY/1186)	1	—	LM	ME2
26FN/5269	DHS.453	SHIELD , drainage hole	2	—	C	ME2
	10-20 EC 8593A/ND	SKIN , complete with stiffeners, spot-welded, assembly	1	—	—	ME2
	10-20 EC 4471ND	DOUBLER , edge, inner, 22 SWG	1	L.72	LM	ME2
	10-20 EC 4473ND	DOUBLER , edge, outer, 22 SWG	1	L.72	LM	ME2
	10-20 EC 4469ND	MEMBER , forward edge, 20 SWG	1	L.72	LM	ME2
	10-20 EC 4731ND	MEMBER , outer edge, 20 SWG	1	L.72	LM	ME2
	10-20 EC 4467ND	MEMBER , rear edge, 20 SWG	1	L.72	LM	ME2
	10-20 EC 9209ND	SKIN , 20 SWG	1	L.72	LM	ME2
	10-20 EC 8469ND	STIFFENER , forward, 20 SWG	1	L.72	—	ME2
	10-20 EC 8471ND	STIFFENER , rear, 20 SWG	1	L.72	—	ME2
	10-20 EC 8493ND	STIFFENER , forward, 22 SWG	1	L.72	—	ME2
	10-20 EC 8495ND	STIFFENER , rear, 22 SWG	1	L.72	—	ME2

POWER INSTALLATION
ENGINE COWLINGS, BOTTOM

Ref. No.	Part No.	Description	No. off	Material Specification	Class of Store or L.M	Plate No.	
							1
5935-99-948-5099 5X/9400080	10-20 EC 8501ND	STIFFENER, forward, 20 SWG	1	L.72	—	ME2	
	10-20 EC 8503ND	STIFFENER, rear, 20 SWG	1	L.72	—	ME2	
	10-20 N 15089A	SOCKET, bonding, assembly	2	—	LM	ME2	
	PLESSEY 2CZ109945	INSERT	1	—	C		
	—	TERMINATION, lug (5940-99-940-0080)	1	—	C		
	10-20 EC 8515ND	STIFFENER, at aerial aperture, inboard, bottom	1	L.72	LM	ME2	
	10-20 EC 8517ND	STIFFENER, at aerial aperture, inboard, top	1	L.72	LM	ME2	
	10-20 EC 8519ND	STIFFENER, at aerial aperture, outboard ...	1	L.72	LM	ME2	
	10-20 EC 8477ND	STIFFENER, forward, 22 SWG	1	L.72	—	ME2	
	10-20 EC 8479ND	STIFFENER, rear, 22 SWG	1	L.72	—	ME2	
	10-20 EC 8485ND	STIFFENER, forward, 22 SWG	1	L.72	—	ME2	
	10-20 EC 8487ND	STIFFENER, rear, 22 SWG	1	L.72	—	ME2	
	16501	10-20 EC 9151A	STRUT, support, cowl, assembly	1	—	C	ME2
	16458	10-20 EC 9137	Attachments for 10-20 EC 9151A, Strut:—				
	28M/10288	AGS.2001/C/1	Bolt, 2 BA, special	1	—	C	ME2
AS.2809/5/062		Nut, 2 BA	1	—	C		
28W/9419402	SP.13/C	Tube, distance, 3/8" o/d x 22 SWG x 0"-62 long	1	L.62	LM	ME2	
	—	Washer	1	—	C		
26DL/7345	DHS.180 Mk. 1/X	TAG, hinge pin chain attachment	2	—	C	ME2	
—	—	Attachments for 10-20 EC 14067A, Cowling:—					
20807	10-20 EC 8295A	Pin, "Pip," group	2	—	—	ME2	
29H/4114	—	Chain, assembly	1	—	C	ME2	
23H/	—	Chain, 8" long	QR	—	C		
	12026	DHS.180 Mk. 1/Z	Ring, split, 3/8" dia.	2	Steel		
28FP/930	AVDEL LTD.	Tag	1	—	C	ME2	
	5134/515	Pin, "Pip," quick release, with handle ...	1	—	C	ME2	
222	S10-20 EC 52	COWLING, door, bottom front between firewalls, Starboard (Special spares assembly complete with attachments) (0"-2 allowance) (For a/c Serial Nos. XJ474 to XJ493)	1	—	P	ME3	
220	S10-20 EC 46	COWLING, door, bottom front, between firewalls, Starboard (Special spares assembly complete with attachments) (For a/c Serial No. XJ494 and subsequent)	1	—	P	ME3	
—	10-20 EC 14069A	COWLING, engine, bottom front between firewalls, Starboard, assembly (Mod. 1275)	1	—	—	ME3	
—	10-20 EC 8513ND	ANGLE, tie, 20 SWG	3	L.72	LM	ME3	
—	10-20 EC 8511ND	ANGLE, tie, 20 SWG	1	L.72	LM	ME3	
—	10-20 EC 8645ND	ANGLE, tie, 20 SWG	1	L.72	LM	ME3	
—	10-20 EC 8647ND	ANGLE, tie, 20 SWG	3	L.72	LM	ME3	
12134	10-20 EC 5903A	BRACKET, hinge, aft, assembly	1	—	C	ME3	
12133	10-20 EC 5899A	BRACKET, hinge, forward, assembly ...	1	—	C	ME3	
17791	DHS.419/1/G"-30	Spares for:—					
—	—	BUSH	2	—	C	ME3	
—	—	Attachments for 10-20 EC 5903A or 10-20 EC 5899A, Bracket:—					
28D/7002413	A25/14E	Bolt, 1/2" BSF	3	—	C		
	28M/7002430	Nut, 1/2" BSF	3	—	C		
	28W/9419487	Washer	3	—	C		
—	10-20 EC 10009A	BRACKET, strut anchor support, assembly	1	—	—	ME3	
—	—	Spares for:—					
—	10-20 EC 10021ND	BRACKET, aft, 20 SWG	1	L.72	LM	ME3	
—	10-20 EC 10025ND	BRACKET, forward, 20 SWG	1	L.72	LM	ME3	
—	10-20 EC 10021ND	BRACKET, support, strut anchor bolt ...	1	L.72	LM	ME3	

POWER INSTALLATION
ENGINE COWLINGS, BOTTOM

Ref. No.	Part No.	Description	No. off	Material Specification	Class of Store or L.M	Place No.
	10-20 EC 14220A	BRACKET , toggle, aft, assembly (For spares use 10-20 EC 14228A/ND)	1	—	—	ME3
20229	10-20 EC 14228A/ND	BRACKET , toggle, aft, assembly (Spares condition) Spares for :—	1	—	P	
20217	10-20 EC 14203	BUSH , toggle	2	—	C	ME3
	10-20 EC 14275	PLATE , stop, 8 SWG	1	S.514	LM	ME3
	10-20 EC 14216A	BRACKET , toggle, forward, assembly (For spares use 10-20 EC 14226A/ND)	1	—	—	ME3
20228	10-20 EC 14226A/ND	BRACKET , toggle, forward, assembly (Spares condition) Spares for :—	1	—	P	
20217	10-20 EC 14203	BUSH , toggle	2	—	C	ME3
	10-20 EC 14275	PLATE , stop, 8 SWG	1	S.514	LM	ME3
	10-20 EC 10013A	CLIP , strut retaining, assembly Spares for :—	1	—	—	ME3
	10-20 EC 10017ND	BRACKET , clip support, 16 SWG	1	L.72	LM	ME3
28E/5452	AGS.895/1	CLIP	1	—	C	
	10-20 EC 10086A	DOOR , fastener, aft, assembly (For spares use 10-20 EC 10140A/ND)	1	—	—	
16527	10-20 EC 10140A/ND	DOOR , fastener, aft, assembly (Spares condition)	1	—	P	
	10-20 EC 10088A	DOOR , fastener, forward, assembly (For spares use 10-20 EC 10142A/ND)	1	—	—	ME3
16528	10-20 EC 10142A/ND	DOOR , fastener, forward, assembly (Spares condition) Spares for :—	1	—	P	
	10-20 EC 10047	BRACKET , fastener check, aft door, 20 SWG	1	L.72	LM	ME3
	10-20 EC 10049	BRACKET , fastener check, forward door, 20 SWG	1	L.72	LM	ME3
28FP/802	DZUS EF5/35A/DS	FASTENER	1	—	C	ME3
	10 EC 2463A	HINGE , assembly (For spares use 10-20 EC 9107A/ND)	1	—	—	ME3
10196	10-20 EC 9107A/ND	HINGE , assembly (Spares condition)	1	—	C	
	10-20 EC 9653ND	PLATE , stop	1	LFS.21	LM	ME3
	10-20 EC 8573ND	DOUBLER , skin, at aerial aperture	1	L.72	LM	ME3
19665	10-20 EC 14055A	FASTENER , toggle, assembly Attachments for 10-20 EC 14055A, Fastener :—	2	—	C	ME3
28P/17764	SP.113/G4	Pin, shackle	2	—	C	
28P/19128	SP.90/E4	Pin, split (SP.9/E6)	2	—	C	
28W/9419455	SP.10/G	Washer	2	—	C	
11070	DHS.1006	HOUSING , spring	2	—	C	ME3
	10-20 EC 4433ND	MEMBER , inner edge	1	L.72	LM	ME3
28M/1007403	A27/ET	NUT , 1/2" BSF, locking, for adjustment screw, toggle fastener	1	—	C	
1192	10-20 EC 939	PLATE , packing, at forward fastener door hinge	2	—	C	ME3
	10-20 EC 995ND	PLATE , tie, 20 SWG	2	L.72	LM	ME3
	10-20 EC 9531ND	PLATE , top, 20 SWG	1	L.72	—	ME3
	10-20 EC 8539ND	PLATE , top, 22 SWG	1	L.72	—	ME3
	10-20 EC 8547ND	PLATE , top, 22 SWG	1	L.72	—	ME3
	10-20 EC 8555ND	PLATE , top, 22 SWG	1	L.72	—	ME3
	10-20 EC 8563ND	PLATE , top, 20 SWG	1	L.72	—	ME3

**POWER INSTALLATION
ENGINE COWLINGS, BOTTOM**

Ref. No.	Part No.	Description	No. off						Material Specification	Class of Store or L.M.	Plate No.
			1	2	3	4	5	6			
28S/—	AS.2991/7E	SCREW , adjustment, toggle fastener						1	—	C	
	10-20 EC 1463ND	SEAL , inner edge, aft (Make from standard section J.695, Ref. 26FY/1185)						1	—	LM	ME3
	10-20 EC 4733ND	SEAL , inner edge, between hinges (Make from standard section J.695, Ref. No. 26FY/1185)						1	—	LM	ME3
	10-20 EC 1457ND	SEAL , inner edge, forward (Make from standard section J.695, Ref. No. 26FY/1185)						1	—	LM	ME3
26FN/5269	DHS.453	SHIELD , drainage hole						2	—	C	ME3
	10-20 EC 8595A/ND	SKIN , complete with stiffeners, spot-welded, assembly						1	—	—	ME3
	10-20 EC 4441ND	DOUBLER , edge, inner, 22 SWG						1	L.72	LM	ME3
	10-20 EC 4443ND	DOUBLER , edge, outer, 22 SWG						1	L.72	LM	ME3
	10-20 EC 4439ND	MEMBER , forward edge, 20 SWG						1	L.72	LM	ME3
	10-20 EC 4735ND	MEMBER , outer edge, 20 SWG						1	L.72	LM	ME3
	10-20 EC 4429ND	MEMBER , rear edge, 20 SWG						1	L.72	LM	ME3
	10-20 EC 9211ND	SKIN , 20 SWG						1	L.72	LM	ME3
	10-20 EC 8527ND	STIFFENER , forward, 20 SWG						1	L.72	—	ME3
	10-20 EC 8529ND	STIFFENER , rear, 20 SWG						1	L.72	—	ME3
	10-20 EC 8543ND	STIFFENER , forward, 22 SWG						1	L.72	—	ME3
	10-20 EC 8545ND	STIFFENER , rear, 22 SWG						1	L.72	—	ME3
	10-20 EC 8559ND	STIFFENER , forward, 20 SWG						1	L.72	—	ME3
	10-20 EC 8561ND	STIFFENER , rear, 20 SWG						1	L.72	C	ME3
	10-20 N 15089A	SOCKET , bonding, assembly						2	—	LM	ME3
5935-99-948-5099 5X/9400080	PLESSEY 2CZ.109945	INSERT						1	—	C	
	10-20 EC 8567ND	TERMINATION , lug (5940-99-940-0080)						1	—	C	
	10-20 EC 8569ND	STIFFENER , at aerial aperture, inboard, bottom						1	L.72	LM	ME3
	10-20 EC 8571ND	STIFFENER , at aerial aperture, inboard, top						1	L.72	LM	ME3
	10-20 EC 8535ND	STIFFENER , at aerial aperture, outboard ...						1	L.72	LM	ME3
	10-20 EC 8537ND	STIFFENER , forward, 22 SWG						1	L.72	—	ME3
	10-20 EC 8551ND	STIFFENER , rear, 22 SWG						1	L.72	—	ME3
	10-20 EC 8553ND	STIFFENER , forward, 22 SWG						1	L.72	—	ME3
	10-20 EC 8553ND	STIFFENER , rear, 22 SWG						1	L.72	—	ME3
16501	10-20 EC 9151A	STRUT , support, cowl, assembly						1	—	C	ME3
	10-20 EC 9137	Attachments for 10-20 EC 9151A, Strut :—									
16458	10-20 EC 9137	Bolt, 2 BA, special						1	—	C	ME3
28M/10288	AGS.2001/C/1	Nut, 2 BA						1	—	C	
	AS.2809/5/062	Tube, distance, $\frac{3}{8}$ " o/d x 22 SWG x 0"-62 long						1	L.62	LM	ME3
28W/9419402	SP.13/C	Washer						1	—	C	
26DL/7354	DHS.180 Mk. 1/X	TAG , hinge pin chain attachment						2	—	C	ME3
	—	Attachments for 10-20 EC 14069A, Cowling :—									
	20807	Pin, " Pip," group						2	—	—	ME2
	29H/4114	Chain assembly						1	—	C	ME2
	29H/—	Chain, 8" long						QR	—	C	
	12026	Ring, split, $\frac{3}{8}$ " dia.						2	St. Steel	—	
	DHS.180 Mk. 1/Z	Tag						1	—	C	ME2
28FP/930	AVDEL LTD. 5134/515	Pin, " Pip," quick release, with handle ...						1	—	C	ME2
230	S10-20 EC 56	COWLING , door, bottom front centre, between firewalls (Special spares assembly) (0"-2 trim allowance) (For a/c Serial Nos. XJ.474 to XJ.493)						1	—	P	ME4
228	S10-20 EC 50	COWLING , door, bottom front centre, between firewalls, (Special spares assembly) (For a/c Serial No. XJ.494 and subsequent)						1	—	P	ME4
	10-20 EC 14075A	COWLING , door, assembly (Mod. 1275) ...						1	—	—	ME4
	16523	Spares for :— BLOCK , buffer, at aft fastener positions ...						2	—	C	ME4

POWER INSTALLATION
ENGINE COWLINGS, BOTTOM

Ref. No.	Part No.	Description	1 2 3 4 5 6						No. off	Material Specification	Class of Store or L.M	Plate No.
			16521	10-20 EC 10055	BLOCK , buffer, at forward fastener position, L.H.							
16522	10-20 EC 10056	BLOCK , buffer, at forward fastener position, R.H.						1	—	C	ME4	
		Attachments for 10-20 EC 10061, 10-20 EC 10055, or 10-20 EC 10056, Block :—										
28D/1007319	AS.1242/4B	Bolt, 4 BA						2	—	C		
28M/10287	AGS.2001/B/1	Nut, 4 BA						2	—	C		
	10-20 EC 10063	Plate, stiffener, 20 SWG						1	L.72	LM	ME4	
	16542	Shim, laminated, Attewell						1	—	C	ME4	
28VV/9419465	SP.13/B	Washer						2	—	C		
16803	10-20 EC 10181	BLOCK , buffer, at centre fastener position ...						2	—	C	MF4	
		Attachments for 10-20 EC 10181, Block :—										
28D/1007319	AS.1242/4B	Bolt, 4 BA						2	—	C		
28M/10287	AGS.2001/B/1	Nut, 4 BA						2	—	C		
	16802	Shim, laminated, Attewell						1	—	C	ME4	
28VV/9419465	SP.13/B	Washer						2	—	C		
	10-20 EC 14231A	BRACKET , aft, toggle, Port, assembly ...						1	—	—	ME4	
		(For spares use 10-20 EC 14233A/ND)										
20236	10-20 EC 14233A/ND	BRACKET , aft, toggle, Port, assembly ...						1	—	C		
		(Spares condition)										
	10-20 EC 14232A	BRACKET , aft, toggle, Starboard, assembly ...						1	—	—	ME4	
		(For spares use 10-20 EC 14234A/ND)										
20237	10-20 EC 14234A/ND	BRACKET , aft, toggle, Starboard, assembly ...						1	—	C		
		(Spares condition)										
		Spares for :—										
20217	10-20 EC 14203	BUSH						2	—	C	ME4	
19667	10-20 EC 14089	PLATE , packing, 16 SWG						1	—	C	ME4	
	10-20 EC 14271	PLATE , stop, 8 SWG						1	S.514	LM	ME4	
	—	BRACKET , centre, toggle, Port, group ...						1	—	—		
	10-20 EC 5830A	BRACKET , aft, centre toggle, Port, assembly ...						1	—	—	ME4	
		(For spares use 10-20 EC 9546A/ND)										
12980	10-20 EC 9546A/ND	BRACKET , aft, centre toggle, Port, assembly ...						1	—	C		
		(Spares condition)										
	10-20 EC 5832A	BRACKET , forward, centre toggle, Port, assembly ...						1	—	—	ME4	
		(For spares use 10-20 EC 10098A/ND)										
	10-20 EC 10098A/ND	BRACKET , forward, centre toggle, Port, assembly (Spares condition)						1	—	C		
20217	10-20 EC 14203	BUSH						2	—	C	ME4	
	—	BRACKET , centre toggle, Starboard, group ...						1	—	—		
	10-20 EC 5829A	BRACKET , aft, centre toggle, Starboard, assembly ...						1	—	—	ME4	
		(For spares use 10-20 EC 9545A/ND)										
12979	10-20 EC 9545A/ND	BRACKET , aft, centre toggle, Starboard, assembly (Spares condition)						1	—	C		
	10-20 EC 5831A	BRACKET , forward, centre toggle, Starboard, assembly ...						1	—	—	ME4	
		(For spares use 10-20 EC 10097A/ND)										
	10-20 EC 10097A/ND	BRACKET , forward, centre toggle, Starboard, assembly (Spares condition)						1	—	C		
20217	10-20 EC 14203	BUSH						2	—	C	ME4	

**POWER INSTALLATION
ENGINE COWLINGS, BOTTOM**

Ref. No.	Part No.	Description	No. off	Material Specification	Class of Store or L.M	Place No.
	10-20 EC 14243A	BRACKET , forward toggle, Port, assembly ... (For spares use 10-20 EC 14245A/ND)	1	—	—	ME4
20215	10-20 EC 14245A/ND	BRACKET , forward toggle, Port, assembly ... (Spares condition)	1	—	P	
	10-20 EC 14244A	BRACKET , forward toggle, Starboard, assembly (For spares use 10-20 EC 14246A/ND)	1	—	—	ME4
20216	10-20 EC 14246A/ND	BRACKET , forward toggle, Starboard, assembly (Spares condition)	1	—	P	
		Spares for :—				
20217	10-20 EC 14203	BUSH	2	—	C	ME4
	10-20 EC 14271	PLATE , stop, 8 SWG	1	S.514	LM	ME4
	10-20 EC 14237A	BRACKET , intercostal, Port, assembly ... (For spares use 10-20 EC 14239A/ND)	1	—	—	ME4
20234	10-20 EC 14239A/ND	BRACKET , intercostal, Port, assembly ... (Spares condition)	1	—	P	ME4
	10-20 EC 14238A	BRACKET , intercostal, Starboard, assembly ... (For spares use 10-20 EC 14240A/ND)	1	—	—	ME4
20235	10-20 EC 14240A/ND	BRACKET , intercostal, Starboard, assembly ... (Spares condition)	1	—	P	
		Spares for :—				
19667	10-20 EC 14089	PLATE , packing, 16 SWG	1	—	C	ME4
	10-20 EC 14271	PLATE , stop, 8 SWG	1	S.514	LM	ME4
28FP/340	DZUS S5/300	SPRING	1	—	C	ME4
20807	10-20 EC 8295A	CHAIN , retaining, access panel, assembly ...	2	—	C	ME4
29H/4114	—	CHAIN , cadmium plated, 8" long...	QR	—	C	
29H/—	—	RING , split, 3/8" dia.	2	Stainless Steel	—	
12026	DHS.180 Mk. 1/Z	TAG , chain	1	—	C	ME4
	10-20 EC 10067ND	CLEAT , front, toggle, Port side, L.H. ...	1	—	—	ME4
	10-20 EC 10068ND	CLEAT , front, toggle, Port side, R.H. ...	1	—	—	ME4
	10-20 EC 10069ND	CLEAT , front, toggle, Starboard side, L.H. ...	1	—	—	ME4
	10-20 EC 10070ND	CLEAT , front, toggle, Starboard side, R.H. ...	1	—	—	ME4
	10-20 EC 10071ND	CLEAT , aft, toggle, Starboard side, L.H. ...	1	—	—	ME4
	10-20 EC 10072ND	CLEAT , aft, toggle, Starboard side, R.H. ...	1	—	—	ME4
	10-20 EC 10073ND	CLEAT , aft, toggle, Port side, L.H. ...	1	—	—	ME4
	10-20 EC 10074ND	CLEAT , aft, toggle, Port side, R.H. ...	1	—	—	ME4
	10-20 EC 10143ND	CLEAT , undrilled (Required to make the above cleats, L.H.) 20 SWG	4	L.72	LM	
	10-20 EC 10144ND	CLEAT , undrilled (Required to make the above cleats, R.H.) 20 SWG	4	L.72	LM	
	10-20 EC 8247ND	CLEAT	1	L.72	LM	ME4
	10-20 EC 8249ND	CLEAT	1	L.72	LM	ME4
	10-20 EC 8259ND	CLEAT	1	L.72	LM	ME4
	10-20 EC 8265ND	CLEAT	1	L.72	LM	ME4

**POWER INSTALLATION
ENGINE COWLINGS, BOTTOM**

Ref. No.	Part No.	Description	No. off	Material Specification	Class of Score or L.M	Plate No.
	10-20 EC 10079A	DOOR , toggle fastener, assembly (For spares use 10-20 EC 10133A/ND)	6	—	—	ME5
16431	10-20 EC 10133A/ND	DOOR , toggle fastener, assembly (Spares condition) Spares for :—	6	—	C	
	10-20 EC 10043	BRACKET , fastener check, 20 SWG	1	L.72	LM	ME5
28FP/802	DZUS EF5/35A/DS	FASTENER	1	—	C	ME2
	10 EC 2463A	HINGE , assembly (For spares use 10-20 EC 9107A/ND)	1	—	—	ME2
10196	10-20 EC 9107A/ND	HINGE , assembly (Spares condition)	1	—	C	
	10-20 EC 8107ND	DOUBLER , edge, Port	1	L.72	LM	ME4
	10-20 EC 8523ND	DOUBLER , edge, Starboard	1	L.72	LM	ME4
19665	10-20 EC 14055A	FASTENER , toggle, assembly Attachments for 10-20 EC 14055A, Fastener :—	6	—	C	ME4
28P/19128	SP.4Y/F4	Pin, shackle	2	—	C	
28P/12282	SP.90/E4	Pin, split. (SP.9/E10)	2	—	C	
28W/9419455	SP.10/G	Washer	2	—	C	
5290	10-20 EC 8357A	GLAND , drain, hydraulic pump	3	—	C	ME4
11070	DHS.1006	HOUSING , spring	6	—	C	ME2
28M/1007403	A27/ET	NUT , 1/2" BSF, locking for adjustment screw, toggle fastener	6	—	C	
5291	10-20 EC 8363A	OUTLET , drain, hydraulic pump gland	3	—	C	ME4
	10-20 EC 9515ND	PACKING , at toggle fastener doors, 16 SWG	2	L.16	LM	ME5
	10-20 EC 14141A	PANEL , access, accessory gearbox, assembly (For spares use 10-20 EC 14179A/ND)	1	—	—	ME4
19591	10-20 EC 14179A/ND	PANEL , access, accessory gearbox, assembly (Spares condition)	1	—	C	
	HARTWELL					
3023	H5100/081/142	FASTENER	2	—	C	ME4
	10-20 EC 14133A	HINGE , assembly (For spares use 10-20 EC 14177A/ND)	1	—	—	ME4
19590	10-20 EC 14177A/ND	HINGE , assembly (Spares condition) Spares for :—	1	—	C	
12135	10-20 A 5177ND	PIN , hinge	1	—	C	ME4
	10-20 EC 14147A/ND	PANEL , cover, assembly	1	—	—	ME4
	10-20 EC 8127ND	PLATE	1	L.72	—	ME4
	10-20 EC 8129ND	PRESSING , inner	1	L.72	—	ME4
		Attachments for 10-20 EC 14141A, Panel :—				
28D/1214470	AS.3297/1C	Bolt, 2 BA	3	—	C	
28M/10288	AGS.2001/C/1	Nut, 2 BA	3	—	C	
28W/9419475	SP.15/C	Washer	3	—	C	
14614	10-20 EC 9635A	PANEL , access, accessory gearbox filler and overflow, assembly Spares for :—	2	—	P	ME4
28FP/1022	DZUS F5/T12/DS	FASTENER	2	—	C	ME4
28FP/612	DZUS GH5	GROMMET	2	—	C	ME4
26DL/7354	DHS.180 Mk. 1/X	TAG , chain attachment	1	—	C	ME4

POWER INSTALLATION
ENGINE COWLINGS, BOTTOM

Ref. No.	Part No.	Description	No off	Material Specification	Class of Store or LM	Plate No.
	10-20 EC 9957A/ND	PANEL , spot-welded, assembly	1	—	—	ME4
	10-20 EC 8073ND	INTERCOSTAL	2	L.72	LM	ME4
	10-20 EC 4799ND	MEMBER , edge, aft, 20 SWG	1	L.72	—	ME4
	10-20 EC 9949ND	MEMBER , edge, forward, 18 SWG	1	L.72	LM	ME4
	10-20 EC 8105ND	MEMBER , edge, Port, 20 SWG	1	L.72	LM	ME4
	10-20 EC 8709ND	MEMBER , edge, Starboard, 20 SWG	1	L.72	LM	ME4
3000	10-20 EC 8069A	OUTLET , flanged, generator cooling, L.H., assembly	1	—	C	ME4
3001	10-20 EC 8070A	OUTLET , flanged, generator cooling, R.H., assembly	1	—	C	ME4
	10-20 EC 8135ND	PRESSING , half, bottom, reinforcing access panel aperture	1	L.72	—	ME4
	10-20 EC 9951ND	SKIN , 20 SWG	1	L.72	—	ME4
	10-20 EC 8115ND	STIFFENER , No. 1, Port, 20 SWG	1	L.72	LM	ME4
	10-20 EC 8113ND	STIFFENER , No. 1, Starboard, 20 SWG	1	L.72	LM	ME4
	10-20 EC 8099ND	STIFFENER , No. 2, 20 SWG	1	L.72	LM	ME4
	10-20 EC 8103ND	STIFFENER , No. 3, 20 SWG	1	L.72	LM	ME4
	10-20 EC 8101ND	STIFFENER , No. 5, 20 SWG	1	L.72	LM	ME4
	10-20 EC 9693ND	STIFFENER , No. 6, 20 SWG	1	L.72	—	ME4
28P/1024	SP.4Y/B22	PIN , shackle, toggle fastener stop, centre only Attachments for SP.4Y/B22, Pin :—	2	—	C	
28P/9527619	SP90/C7	Pin, split (SP.9/C8)	1	—	C	
28W/9419402	SP.13/C	Washer	1	—	C	
	10-20 EC 9843ND	PLATE , latch, access panel securing, Starboard aft (For spares use 10-20 EC 9469ND)	1	—	—	ME4
12418	10-20 EC 9469ND	PLATE , latch, access panel securing, Starboard, aft (Spares condition)	1	—	C	
	10-20 EC 9839ND	PLATE , latch, access panel securing, Starboard, forward (For spares use 10-20 EC 9465ND)	1	—	—	ME4
12416	10-20 EC 9465ND	PLATE , latch, access panel securing, Starboard, forward (Spares condition)	1	—	C	
	10-20 EC 9631ND	PLATE , packing, gearbox filler access panel, 20 SWG	4	L.72	LM	ME4
	10-20 EC 8137ND	PRESSING , half, top, reinforcing access panel aperture, 18 SWG	1	L.72	LM	ME4
28S/26FN/5269	AS.2991/6D	SCREW , 1/2" BSF, adjustment, toggle fastener	6	—	C	
	DHS.453	SHIELD , drainage outlet	2	—	C	ME4
	10-20 EC 9953ND	STRIP , packing, 1/2" thick	1	LFS.23	LM	ME4
	10-20 EC 9955ND	STRIP , packing, 3/8" thick	1	LFS.23	LM	ME4
	AS.2809/4/125	TUBE , toggle fastener stop, forward and aft, 1" o/d x 22 SWG x 1"25 long Attachments for AS.2809/4/125, Tube :—	4	L.62	LM	ME4
28D/1011021	A25/16C	Bolt, 2 BA	1	—	C	
28M/10288	AGS.2001/C/1	Nut, 2 BA	1	—	C	
28W/9419402	SP.13/C	Washer	1	—	C	
229	S10-20 EC 55	COWLING , door, bottom centre, rear, between firewalls, (Special spares assembly, complete with attachments) (0"2 trim allowance) (For a/c Serial Nos. XJ474 to XJ493)	1	—	P	ME5
227	S10-20 EC 49	COWLING , door, bottom centre, rear, between firewalls, (Special spares assembly, complete with attachments) (For a/c Serial No. XJ494 and subsequent)	1	—	P	ME5

**POWER INSTALLATION
ENGINE COWLINGS, BOTTOM**

Ref. No.	Part No.	Description	No. of						Material Specification	Class of Store or L.M.	Plate No.
			1	2	3	4	5	6			
	10-20 EC 14077A	COWLING , door, assembly (Mod. 1275) ...	1							MES	
		Spares for :—									
16523	10-20 EC 10061	BLOCK , buffer, forward fastener ...	1						C	MES	
16525	10-20 EC 10053	BLOCK , buffer, aft fastener ...	1						C	MES	
		Attachments for 10-20 EC 10061 or 10-20 EC 10053, Block :—									
28D/1007319	AS.1242/4B	Bolt, 4 BA ...	2						C		
28M/10287	AGS.2001/B/1	Nut, 4 BA ...	2						C		
16524	10-20 EC 10059	Shim, laminated, at forward fastener ...	1						C	MES	
16526	10-20 EC 10057	Shim, laminated, at aft fastener ...	1						C	MES	
28W/9419465	SP.13/B	Washer ...	2						C		
12130	10-20 EC 4673A	BRACKET , hinge, assembly ...	2						C	MES	
		Spares for :—									
17791	DHS.419/1/G/30	BUSH ...	2						C	MES	
		Attachments for 10-20 EC 4673A, Bracket :—									
28D/7002413	A25/14E	Bolt, 1/2" BSF ...	3						C		
28M/10290	AGS.2001/E/1	Nut, 1/2" BSF ...	3						C		
28W/9419487	SP.16/E	Washer ...	3						C		
	10-20 EC 14251A	BRACKET , toggle fastener, aft, assembly ...	1							MES	
		(For spares use 10-20 EC 14255A/ND)									
20239	10-20 EC 14255A/ND	BRACKET , toggle fastener, aft, assembly ...	1						P		
		(Spares condition)									
	10-20 EC 14249A	BRACKET , toggle fastener, forward, assembly ...	1							MES	
		(For spares use 10-20 EC 14253A/ND)									
20238	10-20 EC 14253A/ND	BRACKET , toggle fastener, forward, assembly ...	1						P		
		(Spares condition)									
		Spares for :—									
20217	10-20 EC 14203	BUSH ...	2						C	MES	
	10-20 EC 14271	PLATE , stop, 8 SWG ...	1				S.514		LM	MES	
19672	10-20 EC 14083	CLEAT , aft end ...	1						C	MES	
	10-20 EC 10075ND	CLEAT , aft toggle, L.H. ...	1							MES	
	10-20 EC 10077ND	CLEAT , forward toggle, L.H. ...	1							MES	
	10-20 EC 10078ND	CLEAT , forward toggle, R.H. ...	1							MES	
	10-20 EC 10143ND	CLEAT , undrilled (Required to make the above cleats, L.H.) 20 SWG	2				L.72		LM		
	10-20 EC 10144ND	CLEAT , undrilled (Required to make the above cleats, R.H.) 20 SWG	1				L.72		LM		
	10-20 EC 2585A	DOOR , toggle fastener, assembly ...	2							MES	
		(For spares use 10-20 EC 8953A/ND)									
1216	10-20 EC 8953A/ND	DOOR , toggle fastener, assembly ...	2						C		
		(Spares condition)									
		Spares for :—									
28FP/802	DZUS EF5/35A/DS	FASTENER ...	1						C	MES	
	10 EC 2463A	HINGE , assembly ...	1							MES	
		(For spares use 10-20 EC 9107A/ND)									
10196	10-20 EC 9107A/ND	HINGE , assembly (Spares condition) ...	1						C		
19665	10-20 EC 14055A	FASTENER , toggle, assembly ...	2						C	MES	

**POWER INSTALLATION
ENGINE COWLINGS, BOTTOM**

Ref. No.	Part No.	Description	No. off	Material Specification	Class of Store or L.M	Place No.
28P/17764	SP.113/G4	Attachments for 10-20 EC 14055A, Fastener :—				
28P/19128	SP.90/E4	Pin, shackle	2	—	C	
28W/9419455	SP.10/G	Pin, split (SP.9/E6)	2	—	C	
		Washer	2	—	C	
11070	DHS.1006	HOUSING , spring	2	—	C	
	10-20 EC 9515ND	PACKING , at toggle fastener doors, 10 SWG	2	L.16	LM	ME5
	10-20 EC 4651ND	SEAL , Starboard edge, aft (Make from standard section J.695, Ref. No. 26FY/1185	1	—	LM	ME5
	10-20 EC 4649ND	SEAL , Starboard edge, centre (Make from standard section J.695, Ref. No. 26FY/1185)	1	—	LM	ME5
	10-20 EC 4647ND	SEAL , Starboard edge, forward (Make from standard section J.695, Ref. No. 26FY/1185)	1	—	LM	ME5
26FN/5269	DHS.453	SHIELD , drainage hole	2	—	C	ME5
19673	10-20 EC 14081	STIFFENER	1	—	C	ME5
		Attachments for 10-20 EC 14077A, Cowling :—				
	—	Pin, "Pip." group	2	—	—	
	10-20 EC 8295A	Chain, assembly	1	—	—	ME5
29H/4114	—	Chain, 8" long	QR	—	C	
29H/—	—	Ring, split, 3/8" dia.	2	St. Steel	—	
12026	DHS.180 Mk. 1/Z AVIATION DEVELOPMENTS	Tag	1	—	C	ME5
28FP/930	5134/515	Pin, "Pip." quick release, with handle ...	1	—	C	ME5
225	S10-20 EC 53	COWLING , door, bottom, rear, between firewalls, Port (Special spares assembly, complete with attachments (0"·2 trim allowance) (For a/c Serial Nos. XJ474 to XJ493	1	—	P	ME6
223	S10-20 EC 47	COWLING , door, bottom, rear, between firewalls, Port (Special spares assembly, complete with attachments (For a/c Serial No. XJ494 and subsequent)	1	—	P	ME6
	10-20 EC 14071A	COWLING , engine, bottom, between firewalls, assembly (Mod. 1275)	1	—	—	ME6
12127	10-20 EC 4391A	BRACKET , hinge, aft, assembly	1	—	C	ME6
12126	10-20 EC 4447A	BRACKET , hinge, forward, assembly	1	—	C	ME6
		Spares for :—				
17791	DHS.419/1/G/30	BUSH	2	—	C	ME6
		Attachments for 10-20 EC 4391A or 10-20 EC 4447A, Bracket :—				
28D/7002413	A25/14E	Bolt, 1/2" BSF	3	—	C	
28M/7002430	AGS.2002/E/1	Nut, 1/2" BSF	3	—	C	
28W/9419487	SP.16/E	Washer	3	—	C	
1188	10 EC 2051A	BRACKET , spring housing, assembly	2	—	C	ME6
	10-20 EC 14211A	BRACKET , toggle, aft, assembly (For spares use 10-20 EC 14223A/ND)	1	—	—	ME6
20231	10-20 EC 14223A/ND	BRACKET , toggle, aft, assembly (Spares condition)	1	—	C	
		Spares for :—				
20217	10-20 EC 14203	BUSH , toggle	2	—	C	ME6
	10-20 EC 14275	PLATE , stop, 8 SWG	1	S.514	LM	ME6
	10-20 EC 14207A	BRACKET , toggle, forward, assembly (For spares use 10-20 EC 14221A/ND)	1	—	—	ME6

**POWER INSTALLATION
ENGINE COWLINGS, BOTTOM**

Ref. No.	Part No.	Description	No. off	Material Specification	Class of Store or L.M	Plate No.
20230	10-20 EC 14221A/ND	BRACKET , toggle, forward, assembly (Spares condition) Spares for :—	1	—	C	
20217	10-20 EC 14203	BUSH	2	—	C	ME6
	10-20 EC 14275	PLATE , stop, 8 SWG	1	S.514	LM	ME6
	10-20 EC 9961A/ND	COWLING , door, bare, spotwelded, assembly Spares for :—	1	—	—	ME6
	10-20 EC 4389ND	DOUBLER , inboard, 22 SWG	1	L.72	—	ME6
	10-20 EC 4387ND	DOUBLER , outboard, 22 SWG	1	L.72	—	ME6
	10-20 EC 4569ND	SKIN , inboard, 20 SWG	1	L.72	—	ME6
	10-20 EC 8253ND	SKIN , outboard, 20 SWG	1	L.72	—	ME6
	10-20 EC 10081A	DOOR , fastener access, aft, assembly (For spares use 10-20 EC 10135A/ND)	1	—	—	ME6
16531	10-20 EC 10135A/ND	DOOR , fastener access, aft, assembly (Spares condition)	1	—	P	
	10-20 EC 10083A	DOOR , fastener access, forward, assembly (For spares use 10-20 EC 10137A/ND)	1	—	—	ME6
16532	10-20 EC 10137A/ND	DOOR , fastener access, forward, assembly (Spares condition) Spares for :—	1	—	P	
	10-20 EC 10045	BRACKET , fastener check, 20 SWG ...	1	L.72	LM	ME6
28FP/802	DZUS EF5/35A/DS	FASTENER	1	—	C	ME6
	10 EC 2463A	HINGE , assembly (For spares use 10-20 EC 9107A/ND)	1	—	—	ME6
10196	10-20 EC 9107A/ND	HINGE , assembly (Spares condition) ...	1	—	C	
	10-20 EC 9651ND	PLATE , stop	1	L.FS.26	LM	
	10-20 E 8249A	DUCT (For spares use 10-20 EC 8253A/ND)	1	—	—	ME6
18420	10-20 E 8253A/ND	DUCT (Spares condition)	1	—	C	
19665	10-20 EC 14055A	FASTENER , toggle, assembly	2	—	C	ME6
		Attachments for 10-20 EC 14055A, Fastener :—				
28P/17764	SP.113/G4	Pin, shackle	2	—	C	
28P/19128	SP.90/E4	Pin, split (SP.9/E6)	2	—	C	
28W/9419455	SP.10/G	Washer	2	—	C	
28M/1007403	A27/ET	NUT , 1/2" BSF, locking, for adjustment screw, toggle fastener	1	—	C	
5293	10-20 EC 8581	PANEL , fire access (Drg. No. 10-20 EC 2545)	1	—	C	ME6
	10-20 EC 9125	PLATE , packing, at aft, toggle fastener door hinge	2	L.71	LM	ME6
285/—	AS.2991/7E	SCREW , adjustment, toggle fastener	1	—	C	
	10-20 EC 1449ND	SEAL , inner edge, aft (Make from standard section J.695, Ref. No. 26FY/1185)	1	—	LM	ME6

POWER INSTALLATION
ENGINE COWLINGS, BOTTOM

Ref. No.	Part No.	Description	No. off	Material Specification	Class of Store or L.M.	Plate No.
	10-20 EC 4723ND	SEAL , inner edge, between hinges (Make from standard section J.695, Ref. No. 26FY/1185)	1	—	LM	ME6
	10-20 EC 1443ND	SEAL , inner edge, forward (Make from standard section J.695, Ref. No. 26FY/1185)	1	—	LM	ME6
26FN/5269	DHS.453	SHIELD , drainage hole	2	—	C	ME6
26DL/7354	DHS.180 Mk. 1/X	TAG , hinge pin chain attachment	2	—	C	ME6
	—	Attachments for 10-20 EC 14071A, Cowling :—				
	—	Pin, "Pip," group	2	—	—	—
20807	10-20 EC 8295A	Chain, assembly	1	—	C	ME6
29H/4114	—	Chain, 8" long	QR	—	C	—
29H/	—	Ring, split, 3/4" dia.	2	St. Steel	—	—
12026	DHS.180 Mk. 1/Z	Tag	1	—	C	ME6
	AVDEL LTD.					
28FP/930	5134/515	Pin, "Pip," quick release, with handle ...	1	—	C	ME6
226	S10-20 EC 54	COWLING , door, bottom, rear, between firewalls, Starboard (Special spares assembly, complete with attachments (0"±2 trim allowance) (For a/c Serial Nos. XJ474 to XJ493)	1	—	P	ME7
224	S10-20 EC 48	COWLING , door, bottom, rear, between firewalls, Starboard (Special spares assembly, complete with attachments) (For a/c Serial No. XJ494 and subsequent)	1	—	P	ME7
	10-20 EC 14073A	COWLING , engine, bottom, between front engine mounting and rear firewall, R.H., assembly	1	—	—	ME7
12128	10-20 EC 4393A	BRACKET , hinge, aft, assembly	1	—	C	ME7
12129	10-20 EC 4395A	BRACKET , hinge, forward, assembly	1	—	C	ME7
		Spares for :—				
17791	DHS.419/1/G/30	BUSH	2	—	C	ME7
		Attachments for 10-20 EC 4393A or 10-20 EC 4395A, Bracket :—				
28D/7002413	A25/14E	Bolt, 3/8" BSF	3	—	C	—
28M/7002430	AGS.2002/E/1	Nut, 3/8" BSF	3	—	C	—
28W/9419487	SP.16/E	Washer	3	—	C	—
1188	10 EC 2051A	BRACKET , spring, housing, assembly... ..	2	—	C	ME7
	10-20 EC 14212A	BRACKET , toggle, aft, assembly (For spares use 10-20 EC 14224A/ND)	1	—	—	ME7
20233	10-20 EC 14224A/ND	BRACKET , toggle, aft, assembly	1	—	C	—
		(Spares condition)				
		Spares for :—				
20217	10-20 EC 14203	BUSH , toggle	2	—	C	ME7
	10-20 EC 14275	PLATE , stop, 8 SWG	1	S.514	LM	ME7
	10-20 EC 14208A	BRACKET , toggle, forward, assembly	1	—	C	ME7
		(For spares use 10-20 EC 14222A/ND)				
20232	10-20 EC 14222A/ND	BRACKET , toggle, forward, assembly	1	—	C	—
		(Spares condition)				
		Spares for :—				
20217	10-20 EC 14203	BUSH , toggle	2	—	C	ME7
	10-20 EC 14275	PLATE , stop, 8 SWG	1	S.514	LM	ME7
17116	10-20 EC 10189A/ND	CAPPING , bonded	1	—	C	ME7
	10-20 EC 10082A	DOOR , fastener, access, aft, assembly	1	—	—	ME7
		(For spares use 10-20 EC 10136A/ND)				

POWER INSTALLATION
ENGINE COWLINGS, BOTTOM

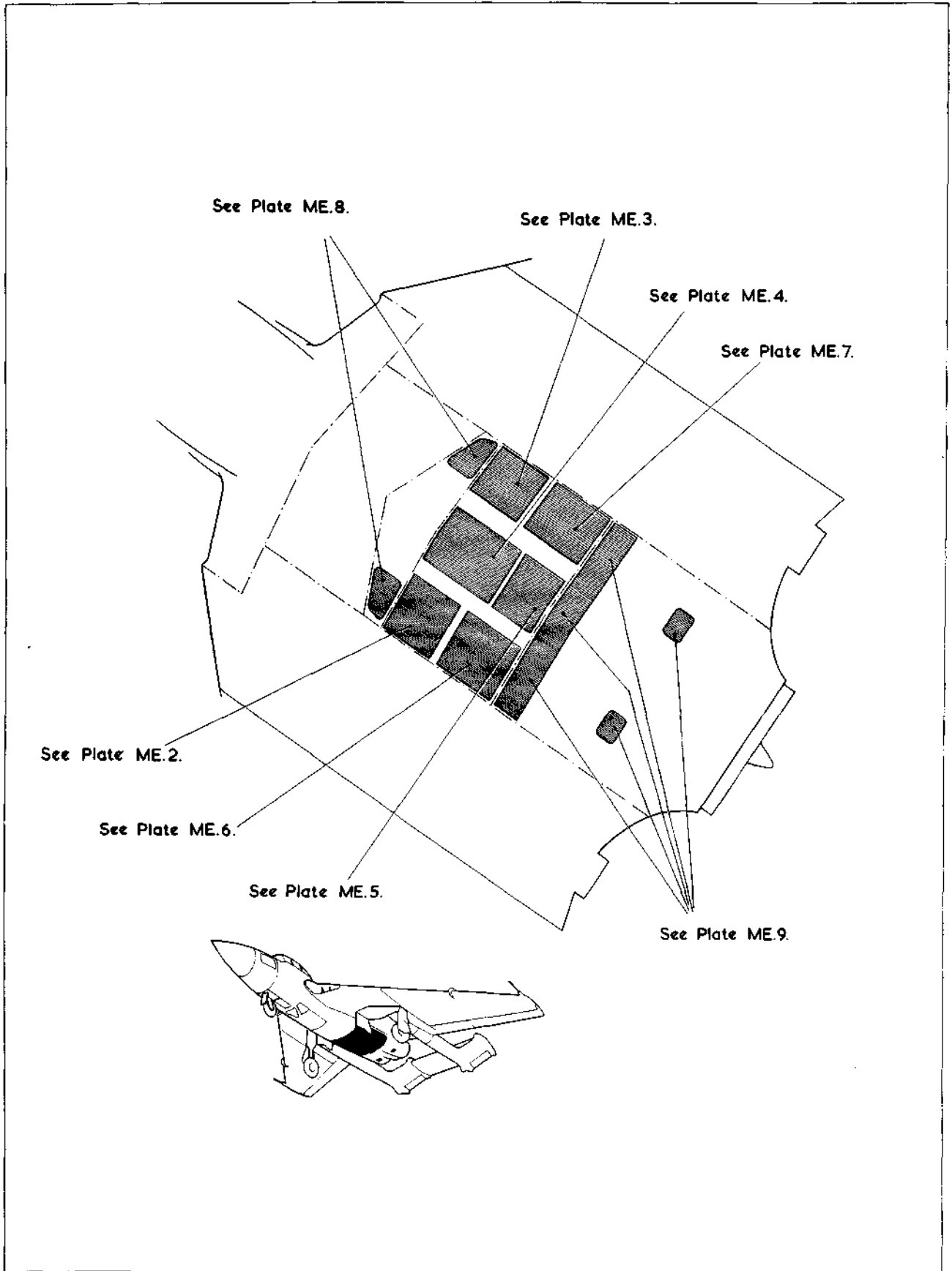
Ref. No.	Part No.	Description	No. off	Material Specification	Class of Store or L.M.	Place No.
16533	10-20 EC 10136A/ND	DOOR , fastener access, aft, assembly... (Spares condition)	1	—	P	
	10-20 EC 10084A	DOOR , fastener access, forward, assembly ... (For spares use 10-20 EC 10138A/ND)	1	—	—	ME7
16534	10-20 EC 10138A/ND	DOOR , fastener access, forward, assembly ... (Spares condition) Spares for :—	1	—	P	
28FP/802	10-20 EC 10045 DZUS EF5/35A/DS 10 EC 2463A	BRACKET , fastener check, 20 SWG ... FASTENER HINGE , assembly (For spares use 10-20 EC 9107A/ND)	1 1 1	L.72 — —	LM C —	ME7 ME7 ME7
10196	10-20 EC 9107A/ND	HINGE , assembly (Spares condition) ...	1	—	C	
19665	10-20 EC 9651ND 10-20 EC 14055A	PLATE , stop FASTENER , toggle, assembly Attachments for 10-20 EC 14055A, Fastener :—	1 2	LFS.26 —	LM C	ME7 ME7
28P/17764	SP.113/G4	Pin, shackle	2	—	C	
28P/19128	SP.90/E4	Pin, split (SP.9/E6)	2	—	C	
28W/9419455	SP.10/G	Washer	2	—	C	
28M/1007403	A27/ET	NUT , 1/2" BSF, locking for adjustment screw, toggle fastener	1	—	C	
5293	10-20 EC 8581	PANEL , fire access (Drg. No. 10-20 EC 2545)	1	—	C	ME7
	10-20 EC 9125	PLATE , packing, at toggle door hinges ...	2	L.71	LM	ME7
28S/—	AS.2991/7E	SCREW , adjustment, toggle fastener ...	1	—	C	
	10-20 EC 1477ND	SEAL , inner edge, aft (Make from standard section J.695, Ref. No. 26FY/1185)	1	—	LM	ME7
	10-20 EC 1471ND	SEAL , inner edge forward (Make from standard section J.695, Ref. No. 26FY/1185)	1	—	LM	ME7
26FN/5269	DHS.453 10-20 EC 5327ND	SHIELD , drainage hole STIFFENER , No. 2 (For spares use 10-20 EC 14197ND)	1 1	— —	C —	ME7
19693	10-20 EC 14197ND	STIFFENER , No. 2 (Spares condition) ...	1	—	C	ME7
26DL/7354	DHS.180 Mk. 1/X	TAG , hinge pin chain attachment Attachments for 10-20 EC 14073A, Cowling :—	2	—	C	ME7
	—	Pin, "Pip," group	2	—	—	
20807	10-20 EC 8295A	Chain, assembly	1	—	C	ME7
29H/4114	—	Chain, 8" long	QR	—	C	
29H/—	—	Ring, split, 3/8" dia... ..	2	St. Steel	—	
12026	DHS.180 Mk. 1/Z AVDEL LTD.	Tag	1	—	C	ME7
28FP/930	5134/515	Pin, "Pip," quick release, with handle ...	1	—	C	ME7

**POWER INSTALLATION
ENGINE COWLINGS, BOTTOM**

Ref. No.	Part No.	Description	No. off	Material Specification	Class of Store or L.M.	Place No.
54	S10-20 WC 11	COWLING , panel, outboard, forward of firewall, Port, (Special spares assembly complete with attachments)	1	—	P	ME8
	10-20 WC 11227A	COWLING , panel, assembly	1	—	—	ME8
28D/1214471	AS.3297/2C	Attachments for 10-20 WC 11227A, Cowling :—				
28D/1214472	AS.3297/3C	Bolt, 2 BA	14	—	C	ME8
		Bolt, 2 BA	3	—	C	
55	S10-20 WC 12	COWLING , panel, outboard, forward of firewalls, Starboard (Special spares assembly complete with attachments)	1	—	P	ME8
	10-20 WC 14581A/1	COWLING , panel, assembly (Pre Mod. 416)	1	—	—	ME8
	10-20 WC 14581A/2	COWLING , panel, assembly (Mod. 416)	1	—	—	ME8
	10-20 WC 25739A	Spares for :—				
		BRACKET , mounting, armament safety-break plug, assembly (Mod. 193) (Pre Mod. 416)	1	—	—	ME8
14226	10-20 WC 28543A	BRACKET , mounting, armament safety-break plug, assembly (Mod. 416)	1	—	P	ME8
		Spares for :—				
28M/9993192	AGS.2009/C/1	NUT , anchor, 2 BA	6	—	C	
		Attachments for 10-20 WC 25739A or 10-20 WC 28543A, Bracket :—				
6389	DHS.365/1½C	Bolt, 2 BA	6	—	C	ME8
	10-20 WC 27777A/ND	DOOR , access, assembly	1	—	—	ME8
		(For spares use 10-20 WC 29663A/ND)				
14683	10-20 WC 29663A/ND	DOOR , access, assembly (Spares condition)	1	—	C	
28FP/861	DZUS F5/T12	FASTENER , access door	2	—	C	ME8
28FP/612	DZUS GH/5	GROMMET , fastener	2	—	C	ME8
	10-20 WC 14583A	HINGE , door, assembly (For spares use 10-20 WC 28803A/ND)	1	—	P	ME8
13400	10-20 WC 28803A/ND	HINGE , door, assembly (Spares condition)	1	—	P	
		Spares for :—				
	10-20 WC 14589ND	PIN , 2"57 long × 14 SWG	1	S.1	LM	ME8
	10-20 WC 14807ND	PLATE , packing, under door hinge	1	L.72	LM	ME8
28FP/611	DZUS R5	RECEPTACLE , fastener	2	—	C	ME8
		Attachments for 10-20 WC 14581A/1 or 10-20 WC 14581A/2, Cowling :—				
28D/1214471	AS.3297/2C	Bolt, 2 BA	14	—	C	ME8
28D/1214472	AS.3297/3C	Bolt, 2 BA	3	—	C	
58	S10-20 EC 21	DOOR , access, hydraulic trough, centre (Special spares assembly complete with attachments)	1	—	P	ME9
	10-20 EC 14011A	DOOR , access, assembly (Mod. 1047)	1	—	—	ME9
		Spares for :—				
26DV/9466	12 EC 1673	FAIRING , drainage hole	1	—	C	ME9
		Attachments for 10-20 EC 14011A, Door :—				
28D/1214470	AS.3297/1C	Bolt, 2 BA	34	—	C	

POWER INSTALLATION
ENGINE COWLINGS, BOTTOM

Ref. No.	Part No.	Description	No. off	Material Specification	Class of Store or L.M	Place No.
169	S10-20 EC 43	DOOR , access, hydraulic trough, L.H. (Special spares assembly complete with attachments) (Mod. 1147)	1	—	P	ME9
	10-20 EC 14037A	DOOR , access, assembly (Mod. 1147)	1	—	—	ME9
	10-20 EC 9429	Spares for :— BLOCK , sealing	2	LFS.21	LM	ME9
26DV/9466	12 EC 1673	FAIRING , drainage hole	2	—	C	ME9
		Attachments for 10-20 EC 14037A, Door :—				
28D/1214470	AS.3297/1C	Bolt, 2 BA	43	—	C	
14292	10-20 EC 9761	Bolt, 2 BA (Make from Ref. No. 28D/13132, Part No. AS.3297/1C) (Mod. 631)	5	—	C	ME9
168	S10-20 EC 44	DOOR , access, hydraulic trough, R.H. (Special spares assembly complete with attachments) (Mod. 1147)	1	—	P	ME9
	10-20 EC 14038A	DOOR , access, assembly (Mod. 1147)	1	—	—	ME9
	10-20 EC 9429	Spares for :— BLOCK , sealing	2	LFS.21	LM	
26DV/9466	12 EC 1673	FAIRING , drainage hole	2	—	C	ME9
		Attachments for 10-20 EC 14038A, Door :—				
28D/1214470	AS.3297/1C	Bolt, 2 BA	43	—	C	
14292	10-20 EC 9761	Bolt, 2 BA (Make from Ref. No. 28D/13132, Part No. AS.3297/1C) (Mod. 631)	5	—	C	ME9
	—	PANEL , access, in bottom shear panel, stn. 356"-0, group	1	—	—	
1223	10-20 EC 437A	PANEL , access, Port, assembly	1	—	P	ME9
1224	10-20 EC 438A	PANEL , access, Starboard, assembly	1	—	P	ME9
		Spares for :—				
20807	10-20 EC 8295A	CHAIN , retaining, assembly	1	—	C	ME9
29H/4114	—	CHAIN , cadmium plated, 8" long	1	Brass	C	
29H/—	—	RING , split, 5/8" dia.	2	Stainless Steel	—	
12026	DHS.180 Mk. 1/Z	TAG , chain	1	DTD.571	C	ME9
28FP/1008	DZUS TCF6/13/K	FASTENER	8	—	C	ME9
28FP/1010	DZUS GTC6	GROMMET	8	—	C	ME9
12026	DHS.180 Mk. 1/Z	TAG , chain attachment at stringer No. 3	1	DTD.571	C	



ME.1

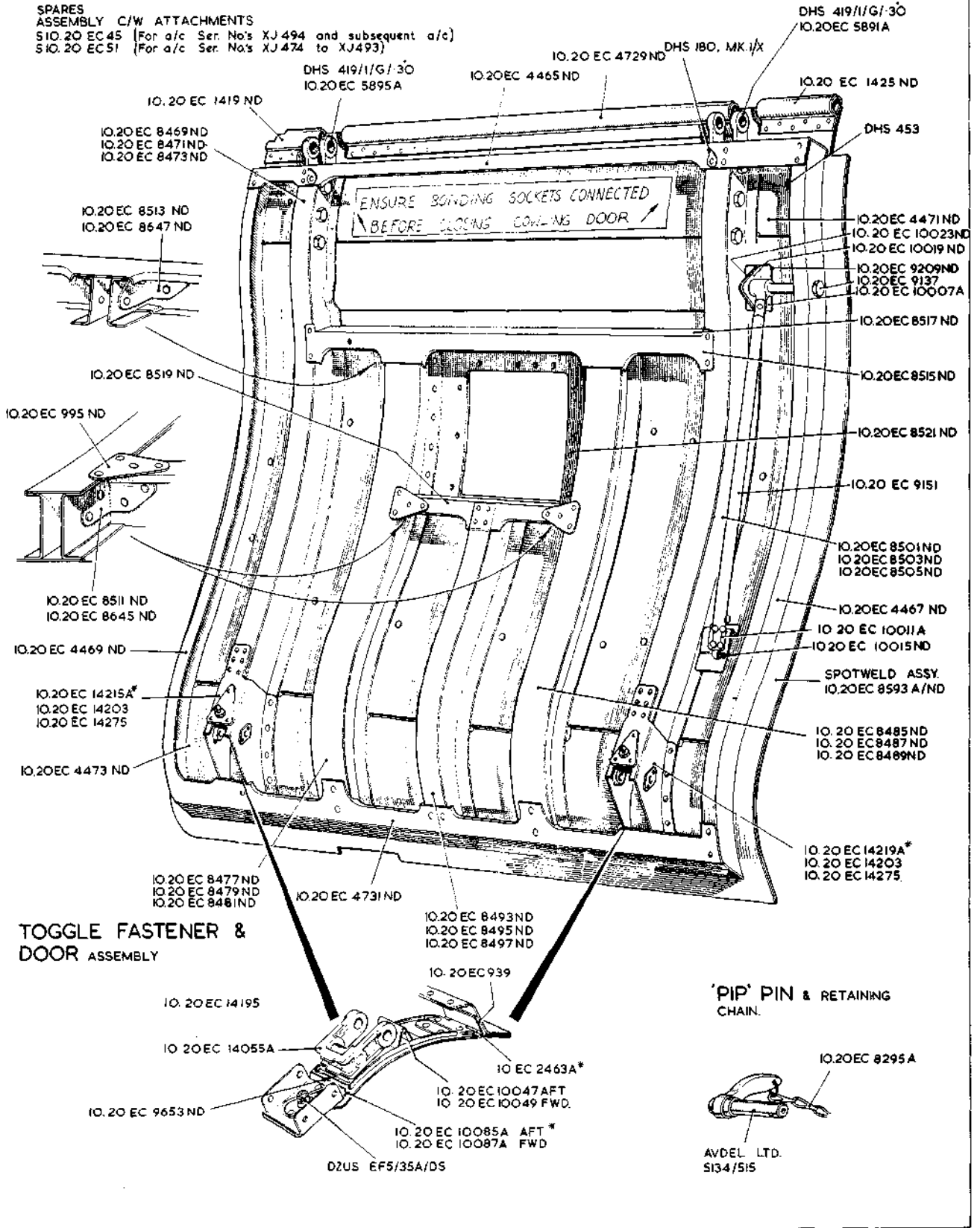
POWER INSTALLATION
ENGINE COWLING BOTTOM

ME.1

SEE TEXT FOR SPARES CONDITION OF ITEMS MARKED THUS *

COWLING, DOOR, BOTTOM, FRONT, BETWEEN FIREWALLS, PORT.

SPARES ASSEMBLY C/W ATTACHMENTS
S10.20 EC 45 (For a/c Ser. No's XJ 494 and subsequent a/c)
S10.20 EC 51 (For a/c Ser. No's XJ 474 to XJ 493)



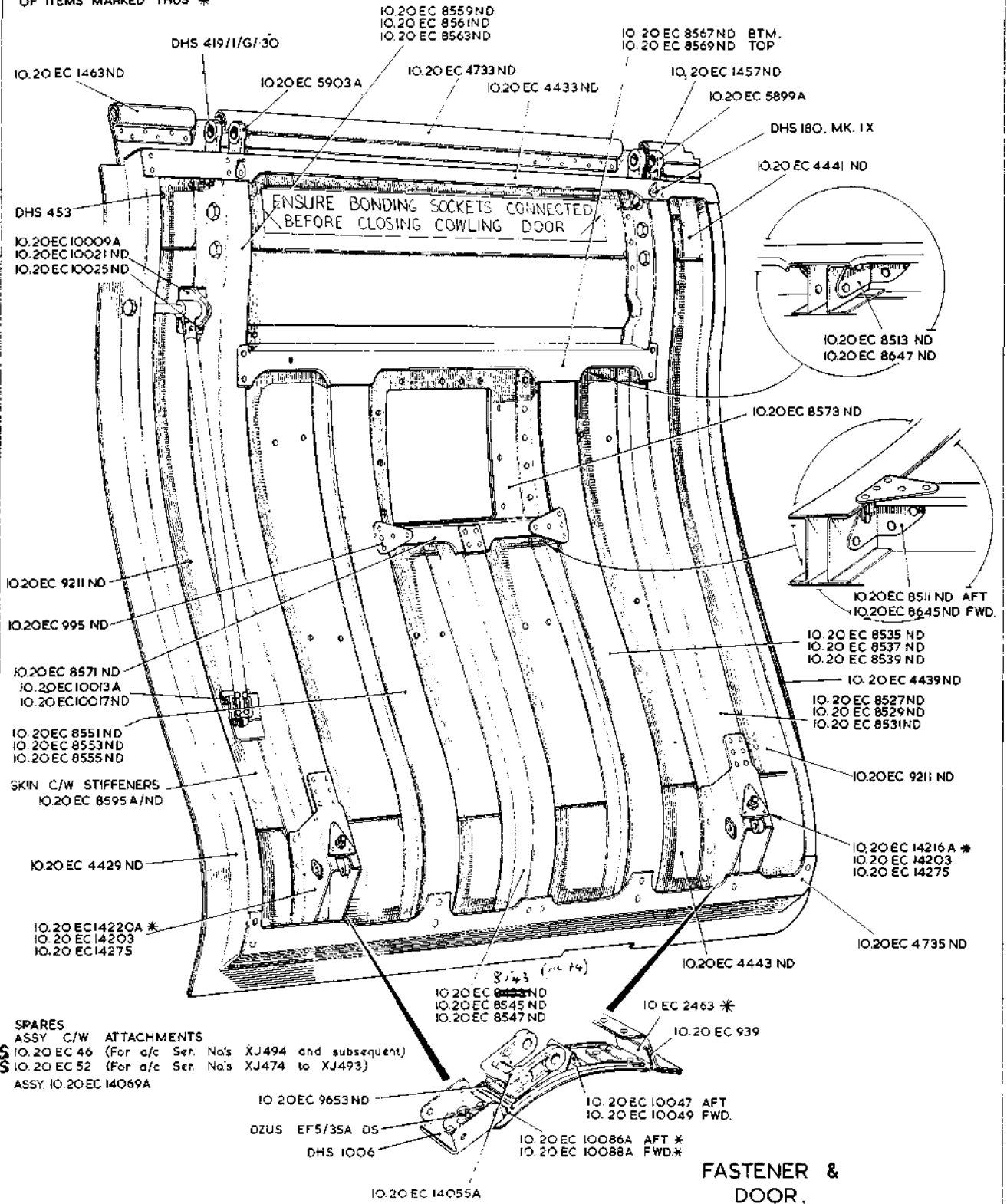
ME.2

POWER INSTALLATION
ENGINE COWLING BOTTOM

ME.2

[A.L.65]

SEE TEXT FOR SPARES CONDITION OF ITEMS MARKED *



COWLING, DOOR, BOTTOM, FRONT, BETWEEN FIREWALLS, STARBOARD.

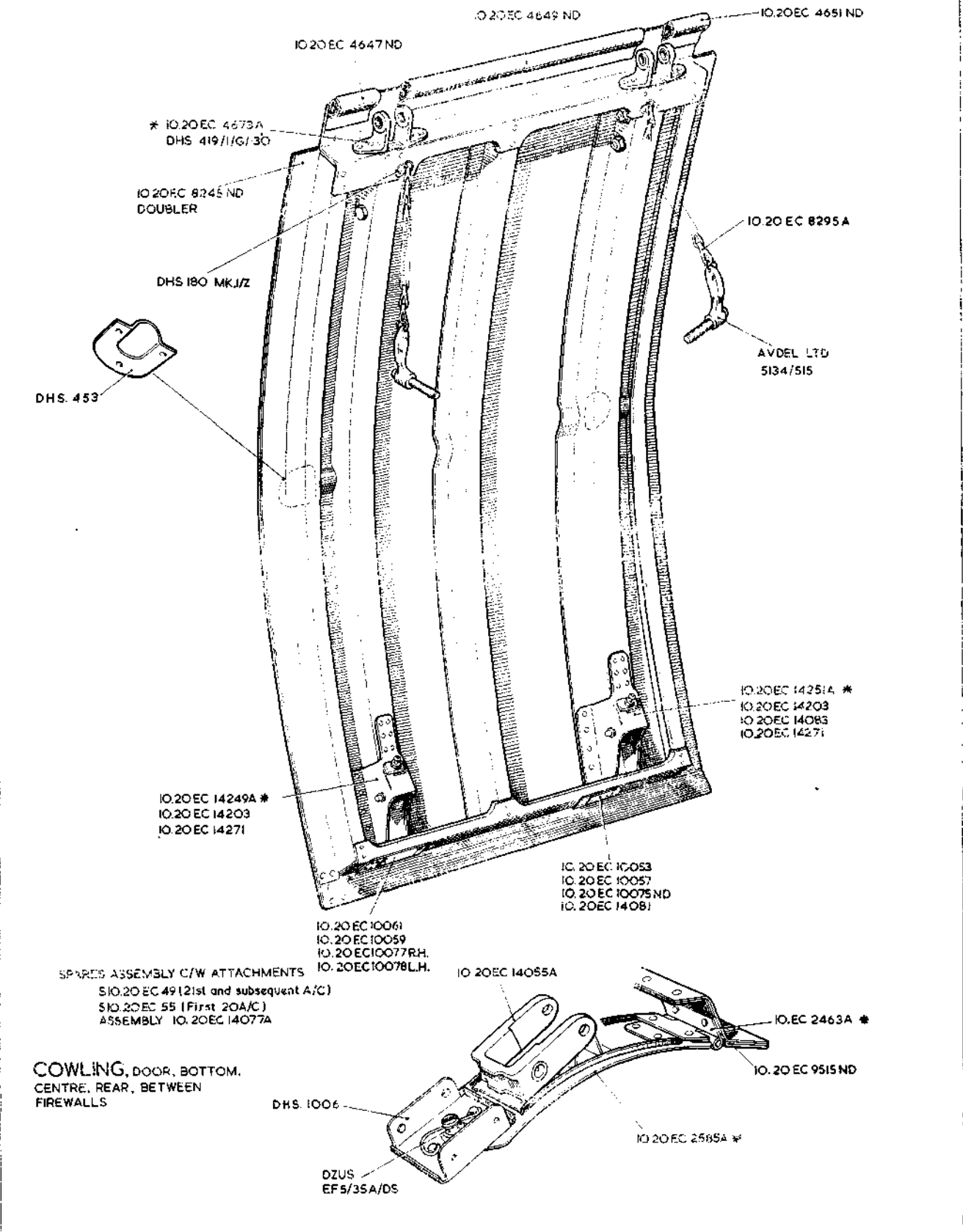
ME.3

POWER INSTALLATION ENGINE COWLING BOTTOM

ME.3

[A.L.65]

SEE TEXT FOR SPARES CONDITION OF ITEMS MARKED THUS *



ME.5

POWER INSTALLATION ENGINE COWLING BOTTOM

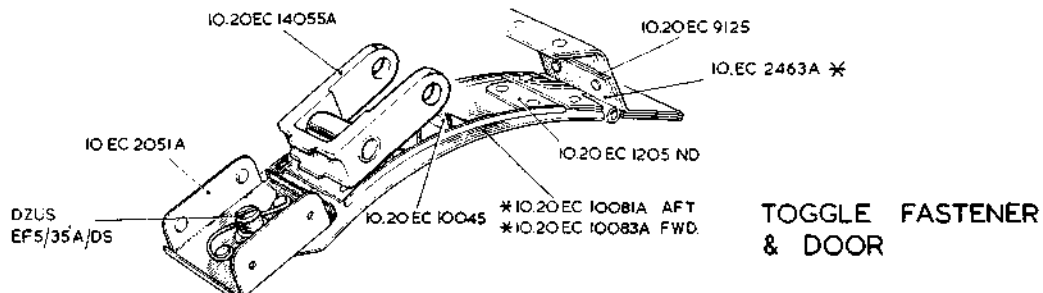
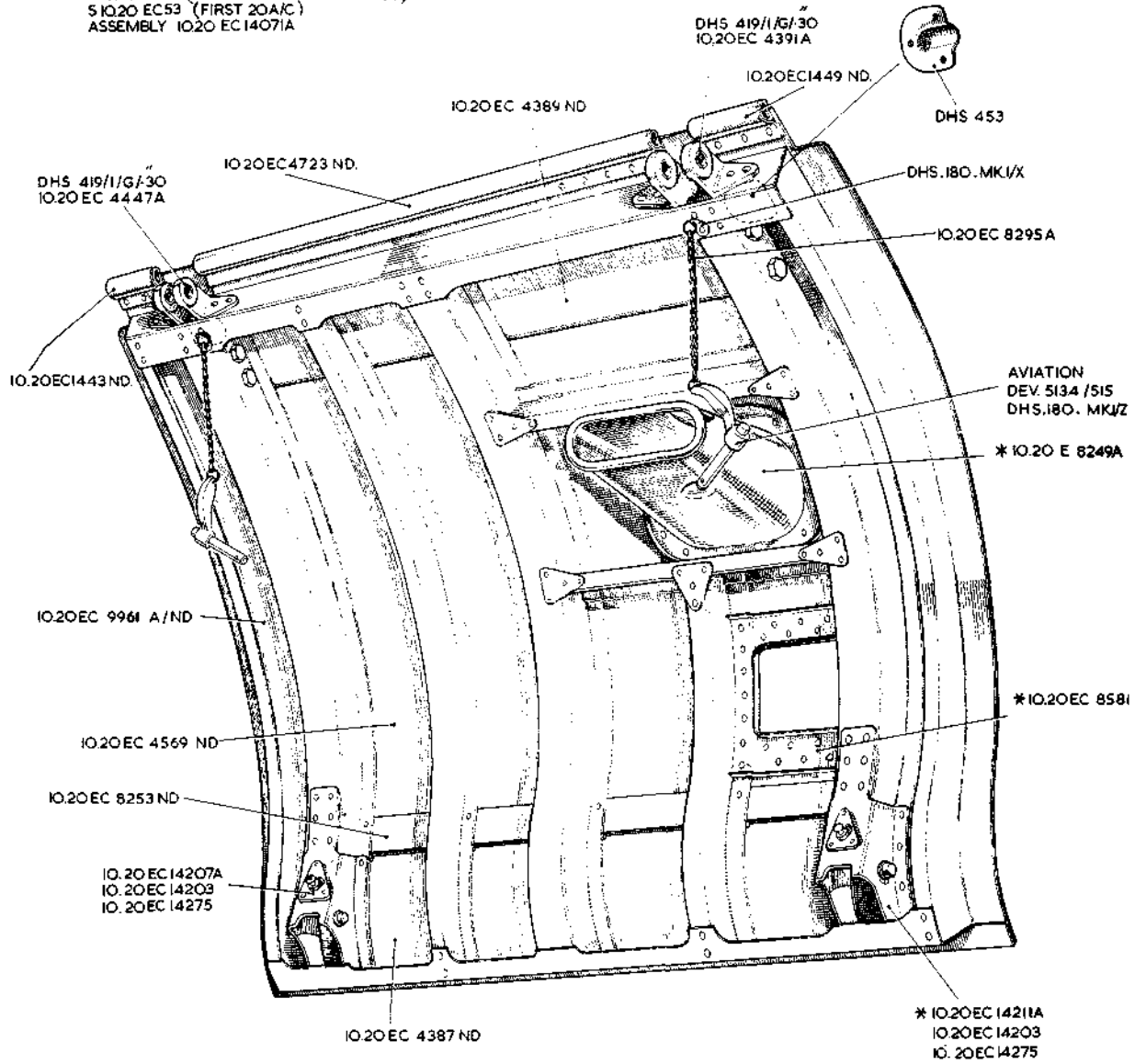
ME.5

[AL 66]

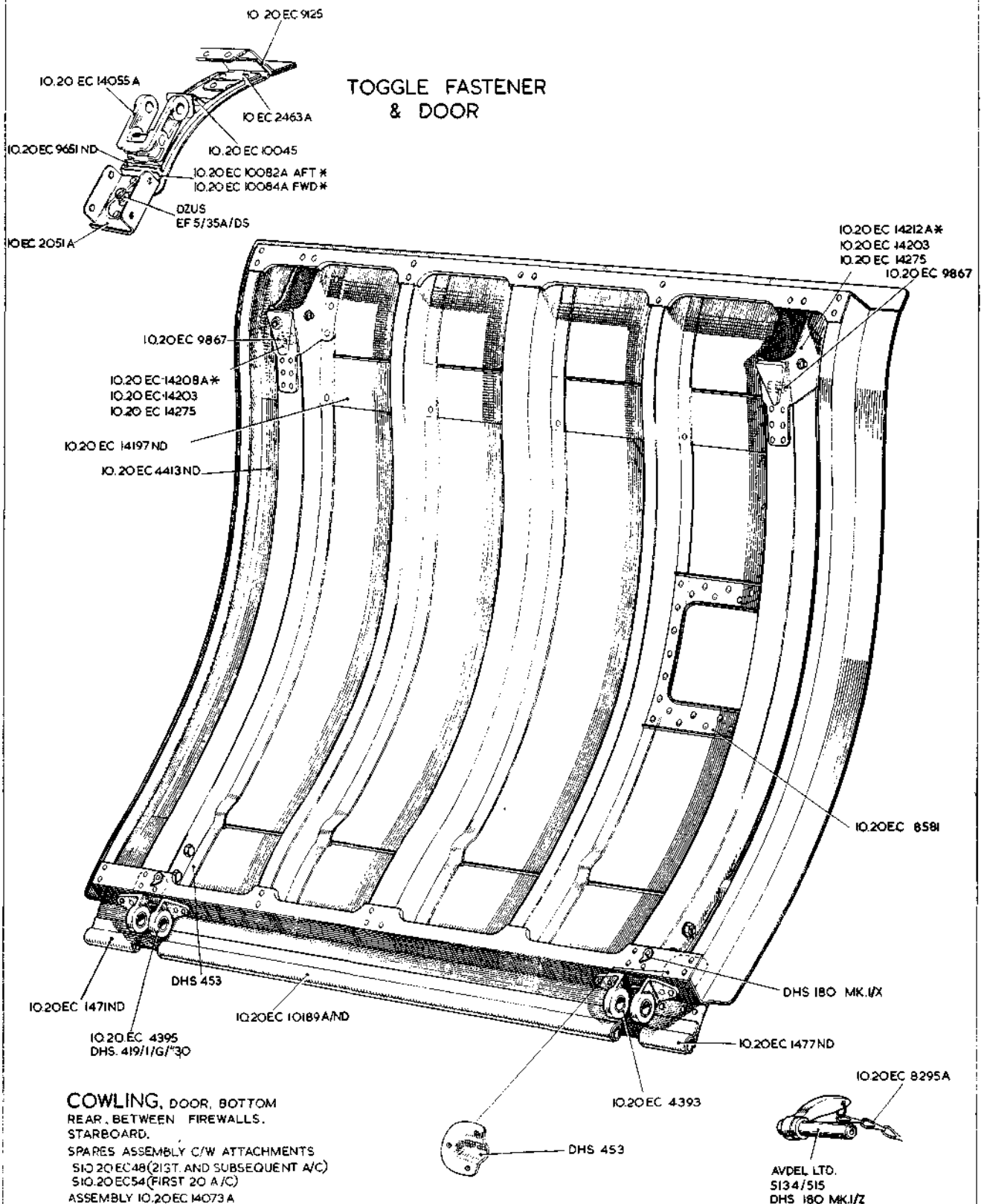
SEE TEXT FOR SPARES CONDITION OF ITEMS MARKED * *

COWLING, DOOR, BOTTOM REAR, BETWEEN FIREWALLS, PORT.

SPARES ASSEMBLY C/W ATTACHMENTS
5 IO.20 EC 47 (21st AND SUBSEQUENT A/C)
5 IO.20 EC 53 (FIRST 20 A/C)
ASSEMBLY IO.20 EC 14071A



SEE TEXT FOR SPARES CONDITION OF ITEMS MARKED THUS *

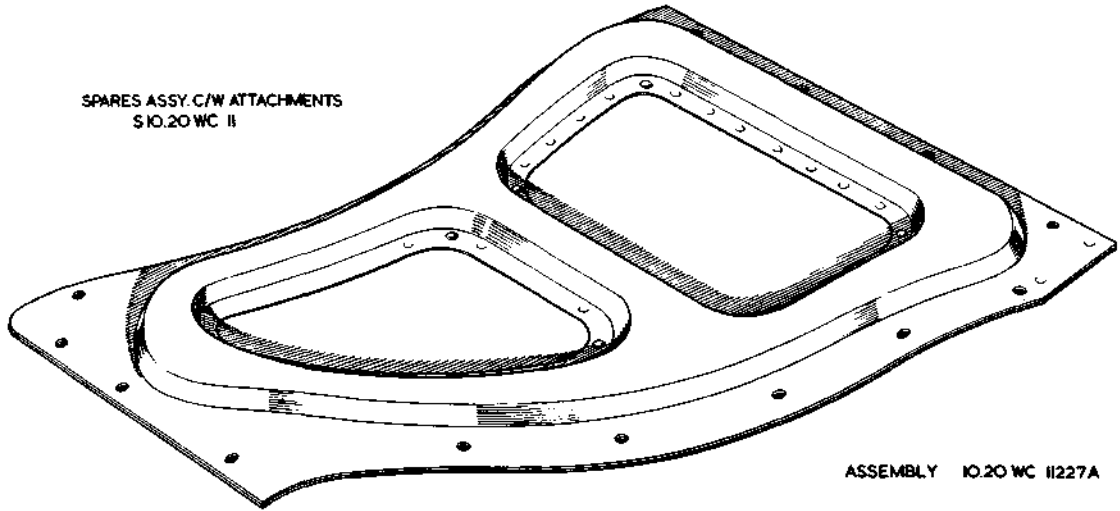


ME.7

**POWER INSTALLATION
ENGINE COWLING BOTTOM**

ME.7
[A.L. 65]

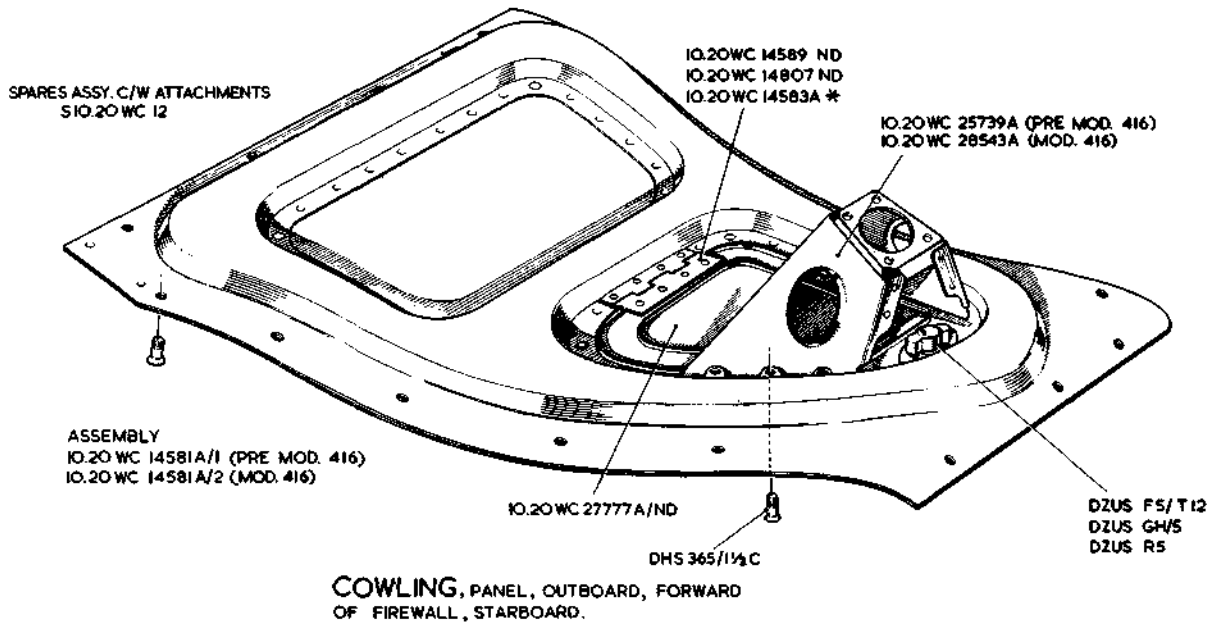
SEE TEXT FOR SPARES CONDITION
OF ITEMS MARKED THUS :- *



SPARES ASSY. C/W ATTACHMENTS
SIO.20 WC 11

ASSEMBLY IO.20 WC 11227A

COWLING, PANEL, OUTBOARD, FORWARD
OF FIREWALL, PORT.



SPARES ASSY. C/W ATTACHMENTS
SIO.20 WC 12

IO.20WC 14589 ND
IO.20WC 14807 ND
IO.20WC 14583A *

IO.20WC 25739A (PRE MOD. 416)
IO.20WC 28543A (MOD. 416)

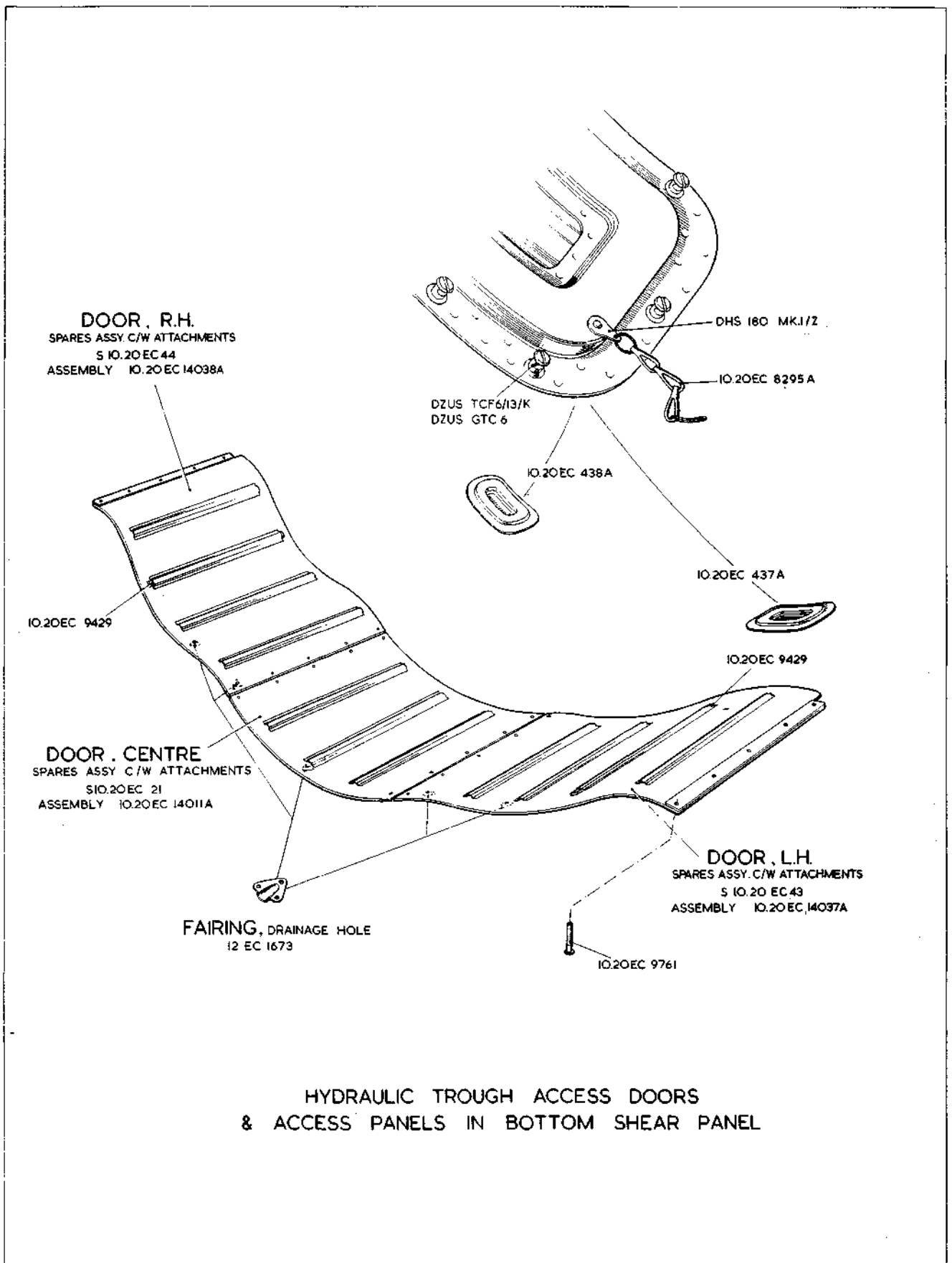
ASSEMBLY
IO.20 WC 14581A/1 (PRE MOD. 416)
IO.20 WC 14581A/2 (MOD. 416)

IO.20 WC 27777A/ND

DHS 365/1 1/2 C

DZUS F5/T12
DZUS GH/5
DZUS R5

COWLING, PANEL, OUTBOARD, FORWARD
OF FIREWALL, STARBOARD.



ME.9

POWER INSTALLATION
ENGINE COWLING BOTTOM

ME.9
(A.L. 65)