

**RADIO AND RADAR INSTALLATIONS
INSTALLATION OF RADAR A.I. MK. 18
(A.R.I.5884)**

Ref. No.	Part No.	Description	No. off	Material Specification	Class of Store or L.M.	Place No.			
							1	2	3
		INSTALLATION OF RADAR A.I. MK. 18 (A.R.I.5884)	1	—	—				
		INSTALLATION IN COCKPIT (Drg. No. 10-20 R 3617, 10-20 R 3085 and 10-20 N 23247)	1	—	—				
		AMPLIFIER, scanner and mounting, group (Drg. No. 10-20 R 911)	1	—	—				
10U/16928	—	AMPLIFIER, scanner, Type 4876 ...	1	—	P				
		Attachments for Ref. No. 10U/16928, Amplifier :—							
28D/9133208	A25/20E	Bolt, 1/4" BSF ...	3	—	C				
28W/9418921	SP.13/E	Washer ...	3	—	C				
		LEAD, bonding, flexible, assembly ...	1	—	LM	ND9			
5K/1489	PLESSEY 16/4"-0048	BRAID, flexible, tinned copper ...	QR	—	C	ND9			
5X/3242	—	PIN, plug, 19-amp ...	1	—	C	ND9			
5X/3146	—	SLEEVE, adapter ...	1	—	C	ND9			
5X/6793	ERMA 12310	TERMINATION, lug ...	1	—	C	ND9			
		Attachments for 10-20 R 3381, Lead :—							
28D/1011248	A25/16E	Bolt, 1/2" BSF ...	1	—	C				
28M/10290	AGS.2001/E/1	Nut, 1/2" BSF ...	1	—	C				
16195	10-20 R 2401A/1	MOUNTING, cradle, assembly ...	1	—	P	ND3			
		Spares for :—							
	10-20 R 3607A/ND	MOUNTING, bare, assembly ...	1	—	—	ND3			
		Spares for :—							
12091	10-20 R 1047A/1	PLUNGER, assembly ...	1	—	C	ND3			
		Attachments for 10-20 R 1047A/1, Plunger :—							
28D/1214865	AS.1246/2B	Bolt, 4 BA ...	1	—	C				
	10-20 R 1143	Screw, 4 BA (Make from Part No. AS.1242/1B, Ref. No. 28D/1007285)	2	—	LM	ND3			
28W/9419465	SP.13/B	Washer ...	1	—	C				
		STRIP, 1/2 wide x 1/8 thick (Attach with Bostik "C")	1	Sorbo Rubber	LM	ND3			
		STRAP (two halves), assembly ...	1	—	—	ND3			
12034	10-20 R 991A	STRAP, half, long, assembly ...	1	—	C	ND3			
	10-20 R 999A/ND	HINGE (Make from standard section J.746)	1	DTD.423	LM	ND3			
	10-20 R 771	STRIP, 1/2" thick (Attach with Bostik "C")	1	Sorbo Rubber	LM	ND3			
	10-20 R 1003ND	TUBE, reinforcing, 3/8 o/d x 18 SWG x 1'-0 long	1	L.55	LM	ND3			
	10-20 R 773ND	STRAP, half, short, assembly ...	1	—	C	ND3			
12035	10-20 R 995A/ND	HINGE (Make from standard section J.746)	1	DTD.423	LM	ND3			
	10-20 R 771	STRIP, 1/2" thick (Attach with Bostik "C")	1	Sorbo Rubber	LM	ND3			
	10-20 R 993ND	TUBE, reinforcing, 3/8 o/d x 18 SWG x 1'-0 long	1	L.55	LM	ND3			
	10-20 R 773ND	Attachments for 10-20 R 991A, Strap :—							
8438	10-20 R 2597	Bolt, chreamed, 2 BA, strap adjusting ...	1	—	C	ND3			
28M/10288	AGS.2001/C/1	Nut, 2 BA ...	1	—	C				
28P/1013110	SP.4Y/B18	Pin, shackle ...	2	—	C				
28P/9527619	SP.90/C7	Pin, split (SP.9/C8) ...	2	—	C				
8436	10-20 R 781	Washer, special saddle ...	2	—	C	ND3			

**RADIO AND RADAR INSTALLATIONS
INSTALLATION OF RADAR A.I. MK. 18
(A.R.I.5884)**

Ref. No.	Part No.	Description	No. off	Material Specification	Class of Store or L.M.	Plate No.			
							1	2	3
12036	10-20 V 2855A	PIPE , outlet, assembly	1	—	C	ND3			
		Attachments for 10-20 V 2855A, Pipe :—							
28D/1011248	A25/16E	Bolt, 1/2" BSF	2	—	C				
28M/10290	AGS.2001/E/1	Nut, 1/2" BSF	2	—	C				
28W/9418921	SP.13/E	Washer	2	—	C				
	10-20 R 3495A	CABLE , coded "1.ASU-2.ASU," assembly	1	—	ECC	ND2			
28E/14044	AS.3180/11B	CLIP , "P," securing cable at air stabilization unit Attachments for AS.3180/11B, Clip :—	2	—	C				
28M/10287	AGS.2001/B/1	Nut, 4 BA	1	—	C				
28S/1007817	A32/B24	Screw, 4 BA	1	—	C				
28E/9450598	AS.3180/20C	CLIP , "P," securing loom at nosewheel duct	1	—	C				
28E/14307	AS.3180/20B	CLIP , "P," securing loom at rear face of front bulkhead and at nosewheel duct Attachments for AS.3180/20B, Clip :—	3	—	C				
28S/9992522	A32/B16	Screw, 4 BA	1	—	C				
	—	INDICATOR and mounting, group (Drg. No. 10-20 R 1723) Spares for :—	1	—	—				
	10-20 R 1729A	CRADLE , hinged, indicator Unit mounting, assembly	1	—	—	ND3			
18424	10-20 R 9313A/ND	CRADLE , assembly (Less strap & attachment pins) (Mod. 1268)	1	—	P	ND3			
28FP/693	AVDEL LTD. A.631	PIN , "Pip," quick release	1	—	C	ND3			
28FP/928	AVDEL LTD. A.645	PIN , "Pip," quick release Attachments for A.631 or A.645, Pin :—	1	—	C	ND3			
20807	10-20 EC 8295A	Chain, assembly	1	—	C	ND3			
29H/4114	—	Chain, chandelier, brass, 8"-0 long	1	—	C				
28E/—	—	Ring, split, 3/8" dia.	2	St. Stl.	—				
12026	DHS.180 Mk. 1/Z	Tag, chain retaining	1	—	C	ND3			
18425	10-20 R 9311A	STRAP , snap fastener, indicator securing, assembly (Mod. 1268) Spares for :—	1	—	C	ND3			
15312	10-20 R 3695A	FASTENER , snap, assembly Spares for :—	1	—	C	ND3			
27VB/5480	HYMATIC ENG. D.12753	PIN , locking	1	—	C	ND3			
28P/1041	SP.4Y/D19	PIN , shackle	1	—	C				
		Attachments for Ref. No. 28P/1041, Pin :—							
28P/9527619	SP.90/C7	Pin, split (SP.9/C8)	1	—	C				
28W/9418920	SP.10/E	Washer	3	—	C				
28P/1041	SP.4Y/D19	PIN , shackle	1	—	C				
		Attachments for Ref. No. 28P/1041, Pin :—							
28P/9527619	SP.90/C7	Pin, split (SP.9/C8)	1	—	C				
28W/9418920	SP.10/E	Washer	1	—	C				
26FN/3275	DHS.69/DD	Washer, shim	4	—	C	ND3			
		Attachments for 10-20 R 9311A, Strap :—							
28P/1013113	SP.4Y/B21	Pin, shackle	2	—	C				
28P/9527619	SP.90/C7	Pin, split (SP.9/C8)	2	—	C				

**RADIO AND RADAR INSTALLATIONS
INSTALLATION OF RADAR A.I. MK. 18
(A.R.I.5884)**

Ref. No.	Part No.	Description	No. off	Material Specification	Class of Store or L.M.	Place No.			
							1	2	3
		INSTALLATION OF RADAR A.I.MK.18 (A.R.I.5884)	1	—	—				
		INSTALLATION IN COCKPIT (Drg. No. 10-20 R 3617, 10-20 R 3085 and 10-20 N 23247)	1	—	—				
10U/16928	—	AMPLIFIER , scanner and mounting, group (Drg. No. 10-20 R 911)	1	—	—				
		AMPLIFIER , scanner, Type 4876	1	—	P				
28D/9133208	A25/20E	Attachments for Ref. No. 10U/16928, Amplifier :—							
28VV/9418921	SP.13/E	Bolt, 1/2" BSF	3	—	C				
		Washer	3	—	C				
	10-20 R 3381	LEAD , bonding, flexible, assembly	1	—	LM	ND9			
5K/1489	PLESSEY 16/4"/0048	BRAID , flexible tinned copper	QR	—	C	ND9			
5X/3242	—	PIN , plug, 19-amp.	1	—	C	ND9			
5X/3146	—	SLEEVE , adapter	1	—	C	ND9			
5X/6793	ERMA 12310	TERMINATION , lug	1	—	C	ND9			
		Attachments for 10-20 R 3381, Lead :—							
28D/1011248	A25/16E	Bolt, 1/2" BSF	1	—	C				
28M/10290	AGS.2001/E/1	Nut, 1/2" BSF	1	—	C				
16195	10-20 R 2401A/1	MOUNTING , cradle, assembly	1	—	P	ND3			
		Spares for :—							
	10-20 R 3607A/ND	MOUNTING , bare, assembly	1	—	—	ND3			
		Spares for :—							
12091	10-20 R 1047A/1	PLUNGER , assembly	1	—	C	ND3			
		Attachments for 10-20 R 1047A/1, Plunger :—							
28D/11540	AS.1246/2B	Bolt, 4 BA	1	—	C				
	10-20 R 1143	Screw, 4 BA (Make from Part No. AS.1242/1B, Ref. No. 28D/8300)	2	—	LM	ND3			
28VV/11465	SP.13/B	Washer	1	—	C				
	10-20 R 1183ND	STRIP , 1/2" wide x 1/8" thick (Attach with Bostik "C")	1	Sorbo Rubber	LM	ND3			
	10-20 R 991A	STRAP (two halves), assembly	1	—	—	ND3			
12034	10-20 R 999A/ND	STRAP , half, long, assembly	1	—	C	ND3			
	10-20 R 771	HINGE (Make from standard section J.746)	1	DTD.423	LM	ND3			
	10-20 R 1003ND	STRIP , 1/8" thick (Attach with Bostik "C")	1	Sorbo Rubber	LM	ND3			
	10-20 R 773ND	TUBE , reinforcing, 1/2" o.d x 18 SWG x 1'-0" long	1	L.55	LM	ND3			
12035	10-20 R 995A/ND	STRAP , half, short, assembly	1	—	C	ND3			
	10-20 R 771	HINGE (Make from standard section J.746)	1	DTD.423	LM	ND3			
	10-20 R 993ND	STRIP , 1/8" thick (Attach with Bostik "C")	1	Sorbo Rubber	LM	ND3			
	10-20 R 773ND	TUBE , reinforcing, 1/2" o.d x 18 SWG x 1'-0" long	1	L.55	LM	ND3			
		Attachments for 10-20 R 991A, Strap :—							
8438	10-20 R 2597	Bolt, threaded, 2 BA, strap adjusting	1	—	C	ND3			
28M/10288	AGS.2001/C/1	Nut, 2 BA	1	—	C				
28P/1013110	SP.4Y/B18	Pin, shackle	2	—	C				
28P/1007741	SP.9/C8	Pin, split	2	—	C				
8436	10-20 R 781	Washer, special saddle	2	—	C	ND3			

**RADIO AND RADAR INSTALLATIONS
INSTALLATION OF RADAR A.I. MK. 18
(A.R.I.5884)**

Ref. No.	Part No.	Description	No. off	Material Specification	Class of Store or L.M.	Plate No.			
							1	2	3
5K/1489	10-20 R 3459A	LEAD, bonding, flexible, assembly...	1	—	LM	ND9			
5X/3242	PLESSEY 16/4"/0048	BRAID, flexible, tinned copper ...	QR	—	C	ND9			
5X/1005131	—	PIN, plug, 19-amp. ...	1	—	C	ND9			
5X/6928	—	SLEEVE, adapter ...	1	—	C	ND9			
5X/6928	ERMA 12360	TERMINATION, lug ...	1	—	C	ND9			
5K/1489	10-20 R 3381	LEAD, bonding, flexible, assembly...	1	—	LM	ND9			
5X/3242	PLESSEY 16/4"/0048	BRAID, flexible, tinned copper ...	QR	—	C	ND9			
5X/3146	—	PIN, plug, 19-amp. ...	1	—	C	ND9			
5X/6793	—	SLEEVE, adapter ...	1	—	C	ND9			
5X/6793	ERMA 12310	TERMINATION, lug ...	1	—	C	ND9			
5K/1489	10-20 R 3461A	LEAD, bonding, flexible, assembly...	1	—	LM	ND9			
5X/3146	PLESSEY 16/4"/0048	BRAID, flexible, tinned copper ...	QR	—	C	ND9			
5X/7331	—	SLEEVE, adapter ...	1	—	C	ND9			
5X/6928	PLESSEY 2CZ109945	SOCKET ...	1	—	C	ND9			
5X/6928	ERMA 12360	TERMINATION, lug ...	1	—	C	ND9			
28M/10286	AGS.2001/A/1	Attachments for 10-20 R 3461A, Lead :—							
28S/1006979	A32/A10	Nut, 6 BA	1	—	C				
		Screw, 6 BA	1	—	C				
8797	10-20 R 1725	MOUNTING, indicator ...	1	—	C	ND3			
28D/1010132	A25/12E	Attachments for 10-20 R 1725, Mounting :—							
28M/10290	AGS.2001/E/1	Bolt, 1/2" BSF	3	—	C				
28W/9419405	SP.15/E	Nut, 1/2" BSF	3	—	C				
		Washer	3	—	C				
	—	SLEEVE, red rubber, for covering braid on bonding leads	QR	—	—				
10L/16235	—	UNIT, control, Type 4700	1	—	P	ND2			
10Q/16255	—	UNIT, indicator, G.E.C. Type X	1	—	P	ND2			
5K/1489	10-20 R 3381	LEAD, bonding, flexible, assembly	1	—	LM	ND9			
5X/3242	PLESSEY 16/4"/0048	BRAID, flexible, tinned copper ...	QR	—	C	ND9			
5X/3146	—	PIN, plug, 19-amp. ...	1	—	C	ND9			
5X/6793	—	SLEEVE, adapter ...	1	—	C	ND9			
5X/6793	ERMA 12310	TERMINATION, lug ...	1	—	C	ND9			
5K/1489	10-20 R 3461A	LEAD, bonding, flexible, assembly	1	—	LM	ND9			
5X/3146	PLESSEY 16/4"/0048	BRAID, flexible, tinned copper ...	QR	—	C	ND9			
5935-99-948-5099	—	SLEEVE, adapter ...	1	—	C	ND9			
5X/6928	PLESSEY 2CZ.109945	SOCKET ...	1	—	C	ND9			
5X/6928	ERMA 12360	TERMINATION, lug ...	1	—	C	ND9			
28M/10286	AGS.2001/A/1	Attachments for 10-20 R 3461A, Lead :—							
28S/1006979	A32/A10	Nut, 6 BA	1	—	C				
		Screw, 6 BA	1	—	C				
5K/3390	AS.3360/B3B	LEAD, bonding, flexible	1	—	C				

**RADIO AND RADAR INSTALLATIONS
INSTALLATION OF RADAR A.I. MK. 18
(A.R.I.5884)**

Ref. No.	Part No.	Description	No. off	Material Specification	Class of Store or L.M.	Plate No.			
							1	2	3
	—	OSCILLOSCOPE and mounting, group (Drg. No. 10-20 R 3633, Mod. 5062) (SPECIAL ORDER ONLY)	1	—	—	ND11			
28D/9140647	A25/14C 10-20 R 3635A/ND	BOLT , 2 BA, mounting board attachment ...	4	—	C	ND11			
		MOUNTING , assembly ...	1	—	—	ND11			
		Spares for :—							
15863	10-20 R 3647ND	BLOCK , fairing ...	1	—	C	ND11			
10AJ/17600	—	MOUNTING , anti-vibration ...	4	—	C	ND11			
		Attachments for Ref. No. 10AJ/17600, Mounting:—							
15864	10-20 R 3653ND	Block, packing ...	1	—	C	ND11			
28D/9140638	A25/4B	Bolt, 4 BA ...	4	—	C	ND11			
28M/10287	AGS.2001/B/1	Nut, 4 BA ...	4	—	C	ND11			
28W/9419465	SP.13/B	Washer ...	4	—	C	ND11			
		Attachments for 10-20 R 3635A/ND, Mounting :—							
28D/1213233	A61/12E	Bolt, 1/2" BSF ...	4	—	C	ND11			
10S/16907	—	OSCILLOSCOPE ...	1	—	P	ND11			
	10-20 R 3655ND	PLATE , locking, 16 SWG ...	1	L.72	LM	ND11			
		Attachments for 10-20 R 3655ND, Plate :—							
28D/1013284	AS.1248/2C	Bolt, 2 BA ...	2	—	C	ND11			
28M/10288	AGS.2001/C/1	Nut, 2 BA ...	2	—	C	ND11			
28W/9419402	SP.13/C	Washer ...	2	—	C	ND11			
	DHS.781/37/18	WASHER , mounting board attachment, 1" o/d x 0"189 i/d x 18 SWG	4	S.510	—	ND11			
	—	PLUG/SOCKET , test, on Navigator's mounting crate, coded "STO4," group	1	—	—	ND11			
10H/0970057	—	CAP , protective, plug/socket ...	1	—	C	ND11			
10H/19493	—	PLUG/SOCKET , bulkhead, Type 59, 25 pole ...	1	—	P	ND11			
4202	10-20 R 815A	TRAY , follower unit (lock), assembly ...	1	—	P	ND11			
		Spares for :—							
	10-20 R 823	BRACKET , anti-vibration mounting (Make from standard section J671)	2	—	LM	ND11			
8813	10-20 R 749 PORTSMOUTH AVIATION	CHANNEL ...	2	—	C	ND11			
8817	RRA.610804	CLAMP ...	2	—	C	ND11			
10AJ/149	—	MOUNTING , anti-vibration, Type 958 ...	4	—	C	ND11			
		Attachments for Ref. No. 10AJ/149, Mounting :—							
	10-20 R 807	Block, packing ...	3	LFS.21 23 or 26	LM	ND11			
28D/1214034	AS.1242/12C	Bolt, 2 BA } per set ...	12	—	C	ND11			
28D/1215086	AS.1246/13C	Bolt, 2 BA } of 4 ...	4	—	C	ND11			
28M/10328	AGS.2002/C/1	Nut, 2 BA ...	16	—	C	ND11			
28W/9419454	SP.10/C	Washer ...	12	—	C	ND11			
28W/9419402	SP.13/C	Washer ...	4	—	C	ND11			
8814	10-20 R 737A/1	RAIL , guide, L.H., assembly ...	1	—	C	ND11			
8815	10-20 R 738A/1 PORTSMOUTH AVIATION RRA.746907	RAIL , guide, R.H., assembly ...	1	—	C	ND11			
		SCREW , clamp ...	2	—	—	ND11			
		Attachments for 10-20 R 815A, Tray :—							
28M/10292	AGS.2001/J/1	Nut, 1/2" BSF ...	4	—	C	ND11			

**RADIO AND RADAR INSTALLATIONS
INSTALLATION OF RADAR A.I. MK. 19
(A.R.I.5884)**

Ref. No.	Part No.	Description										No. off	Material Specification	Class of Store or L.M.	Place No.		
		1	2	3	4	5	6	7	8	9	10						
	—																
	—																
	10-20 R 3675																
28D/7002428	A25/GC																
28M/10288	AGS.2001/C/1																
	AS.2806/5/050																
28W/9419402	SP.13/C																
	10-20 R 3673																
28D/1010030	A25/7C																
28M/10288	AGS.2001/C/1																
	AS.2806/5/070																
28W/9419402	SP.13/C																
	10-20 R 3677																
	10-20 R 3411																
5E/9100180	—																
	10-20 R 3381																
5K/1489	PLESSEY 16/4"/0048																
5X/3242	—																
5X/3146	—																
5X/6793	ERMA 12310																
10AD/986	—																
	10-20 R 3177A																
	10-20 F 1219A																
	10-20 F 1220A																
	10-20 F 1229ND																
	10-20 F 1230ND																
28M/11957	AGS.2007/C/1																
	10-20 F 2851ND																
	10-20 F 2852ND																
28D/9140202	AS.1246/1C																
28W/9416643	SP.47/C																
	10L/16236																
	28S/15923																
	AS.2991/5C																

**RADIO AND RADAR INSTALLATIONS
INSTALLATION OF RADAR A.I. MK. 18
(A.R.I.5884)**

Ref. No.	Part No.	Description	No. off										Material Specification	Class of Store or L.M.	Place No.	
			1	2	3	4	5	6	7	8	9	10				
	—	UNIT , follower (lock), and mounting, group (Drg. No. 10-20 R 863)											1	—	—	
	10-20 R 3381	LEAD , bonding, flexible, assembly											1	—	LM	ND9
5K/1489	PLESSEY 16/4"/0048	BRAID , flexible, tinned copper											QR	—	C	ND9
5X/3242	—	PIN , plug, 19-amp.											1	—	C	ND9
5X/3146	—	SLEEVE , adapter											1	—	C	ND9
5X/6793	ERMA 12310	TERMINATION , lug											1	—	C	ND9
	10-20 R 751A	MOUNTING , cradle, follower unit, assembly ...											1	—	—	ND5
		Spares for :—														
8798	10-20 R 2231A/ND	MOUNTING , less strap, assembly											1	—	P	ND5
		Spares for :—														
	10-20 R 3265	PACKING											2	LFS.21 23 or 26	LM	ND5
		Attachments for 10-20 R 3265, Packing :—														
28D/1200120	A25/14B	Bolt, 4 BA											2	—	C	
28M/10287	AGS.2001/B/1	Nut, 4 BA											2	—	C	
28W/1200073	SP.23/B	Washer											2	—	C	
	10-20 R 777	PIN , locating, threaded 1/2" BSF											2	S.92	—	ND5
		Attachments for 10-20 R 777, Pin :—														
28M/10290	AGS.2001/E/1	Nut, 1/2" BSF											1	—	C	
28W/9418921	SP.13/E	Washer											1	—	C	
	10-20 R 761A	STRAP (two halves), assembly											1	—	—	ND5
8799	10-20 R 763A/ND	STRAP , half, long, assembly											1	—	P	ND5
		Spares for :—														
	10-20 R 771	HINGE (Make from standard section J.746)											1	—	LM	ND5
	10-20 R 769ND	STRIP , 1/2" thick (Attach with Bostik "B")											1	Sorbo Rubber	LM	ND5
	10-20 R 773ND	TUBE , reinforcing, 1/2" o/d x 18 SWG x 1'-0 long											1	L.55	LM	ND5
8800	10-20 R 765A/ND	STRAP , half, short, assembly											1	—	P	ND5
		Spares for :—														
	10-20 R 771	HINGE (Make from standard section J.746)											1	—	LM	ND5
	10-20 R 779ND	STRIP , 1/2" thick (Attach with Bostik "B")											1	Sorbo Rubber	LM	ND5
	10-20 R 773ND	TUBE , reinforcing, 1/2" o/d x 18 SWG x 1'-0 long											1	L.55	LM	ND5
		Attachments for 10-20 R 761A, Strap :—														
8438	10-20 R 2597	Bolt, special, threaded, 2 BA											1	—	C	ND5
28M/10288	AGS.2001/C/1	Nut, 2 BA											1	—	C	
28P/1022	SP.4Y/B20	Pin, shackle											2	—	C	
28P/1007741	SP.9/C8	Pin, split											2	—	C	
8436	10-20 R 781	Washer, special saddle											2	—	C	ND5
		Washer											2	—	C	
28W/9419475	SP.15/C	Attachments for 10-20 R 751A, Mounting :—														
28D/9706306	A25/17E	Bolt, 1/2" BSF											5	—	C	
28M/10290	AGS.2001/E/1	Nut, 1/2" BSF											5	—	C	
28W/9418921	SP.13/E	Washer											5	—	C	
10D/19748	—	UNIT , follower (lock), Type 4321											1	—	P	ND2

**RADIO AND RADAR INSTALLATIONS
INSTALLATION OF RADAR A.I. MK. 18
(A.R.I.5884)**

Ref. No.	Part No.	Description	No. off	Material Specification	Class of Score or L.M.	Plate No.			
							1	2	3
6W/26	—	UNIT , gyro, Mk. 12, Type X.4831	1	—	P				
12032	10-20 FS 14845	Attachments for Ref. No. 6W/26, Gyro Unit :—							
28M/10290	AGS.2001/E/1	Bolt, special, $\frac{1}{2}$ " BSF	4	—	C	ND11			
28V/9418921	SP.13/E	Nut, $\frac{1}{2}$ " BSF	4	—	C				
		Washer	4	—	C				
10T/6200	—	UNIT , monitor meter, Type X.6836	1	—	P	ND2			
28M/10288	AGS.2001/C/1	Attachments for Ref. No. 10T/6200, Unit :—							
28V/9419402	SP.13/C	Nut, 2 BA	2	—	C				
		Washer	2	—	C				
	—	UNIT , power, No. 2, and mounting, group (Drg. No. 10-20 R 1311A)	1	—	—	ND4			
	10-20 R 9363A/ND	MOUNTING , less unit power, assembly ...	1	—	—				
		Spares for :—							
8805	10-20 R 1335	BRACKET , for forward strap locating ...	1	—	C	ND4			
	10-20 R 3381	LEAD , bonding, flexible, assembly ...	1	—	LM	ND4			
5K/1489	PLESSEY 16/4"-0048	BRAID , flexible, tinned copper ...	QR	—	C	ND9			
5X/3242	—	PIN , plug, 19-amp.	1	—	C	ND9			
5X/3146	—	SLEEVE , adapter	1	—	C	ND9			
5X/6793	ERMA 12310	TERMINATION , lug	1	—	C	ND9			
8810	10-20 R 1327A	ROLLER , guide rail, assembly	1	—	P	ND4			
		Spares for :—							
8811	10-20 R 1331	PIN , roller spindle, threaded, 2 BA ...	1	—	C	ND4			
28M/1006473	A27/CT	Attachments for 10-20 R 1331, Pin :—							
	10-20 R 1341ND	Nut, 2 BA	1	—	C				
28V/9419475	SP.15/C	Spacer, 0" .35 o/d x 0" .191 i/d x 0" .15 long ...	1	L.65	LM	ND4			
		Washer	1	—	C				
8812	10-20 R 1333ND	ROLLER	1	—	C	ND4			
28P/1024	SP.4Y/B22	Attachments for 10-20 R 1327A, Roller :—							
28P/9527619	SP.90/C7	Pin, shackle	1	—	C				
28P/9419454	SP.10/C	Pin, split (SP.9/C8)	1	—	C				
		Washer	1	—	C				
15742	10-20 R 1467A	STRAP , forward (two halves), assembly ...	1	—	—	ND4			
	10-20 R 3693ND	STRAP , half, long, assembly (Mod. 727) ...	1	—	P	ND4			
		Spares for :—							
	10-20 R 1475ND	HINGE (Make from standard section J.746)	1	DTD.423	LM	ND4			
	10-20 R 3067ND	STRIP , $\frac{1}{16}$ " thick (Attach with Bostik "B")	1	Sorbo Rubber	LM	ND4			
	10-20 R 773ND	TUBE , reinforcing, $\frac{1}{2}$ " o/d x 18 SWG x 1" .0 long	1	L.55	LM	ND4			
8806	10-20 R 1477A/ND	STRAP , half, short, assembly	1	—	P	ND4			
		Spares for :—							
	10-20 R 771	HINGE (Make from standard section J.746)	1	DTD.423	LM	ND4			
	10-20 R 3069ND	STRIP , $\frac{1}{16}$ " thick (Attach with Bostik "B")	1	Sorbo Rubber	LM	ND4			
	10-20 R 773ND	TUBE , reinforcing, $\frac{1}{2}$ " o/d x 18 SWG x 1" .0 long	1	L.55	LM	ND4			
15743	10-20 R 1483A	STRAP , rear (two halves), assembly	1	—	—	ND4			
	10-20 R 3691A/ND	STRAP , half, long, assembly	1	—	P	ND4			
		Spares for :—							
	10-20 R 771	HINGE (Make from standard section J.746)	1	DTD.423	LM	ND4			
	10-20 R 3073ND	STRIP , $\frac{1}{16}$ " thick (Attach with Bostik "B")	1	Sorbo Rubber	LM	ND4			
	10-20 R 773ND	TUBE , reinforcing, $\frac{1}{2}$ " o/d x 18 SWG x 1" .0 long	1	L.55	LM	ND4			

**RADIO AND RADAR INSTALLATIONS
INSTALLATION OF RADAR A.I. MK. 18
(A.R.I.5884)**

Ref. No.	Part No.	Description	No. off	Material Specification	Class of Store or L.M.	Place No.			
							1	2	3
8809	10-20 R 1485A/ND	STRAP , half, short, assembly	1	—	P	ND4			
		Spares for :—							
	10-20 R 771	HINGE (Make from standard section J.746)	1	DTD.423	LM	ND4			
	10-20 R 3071ND	STRIP , $\frac{1}{8}$ " thick (Attach with Bostik "B")	1	Sorbo Rubber	LM	ND4			
	10-20 R 773ND	TUBE , reinforcing, $\frac{1}{2}$ " o/d x 18 SWG x 1'-0" long	1	L.55	LM	ND4			
		Attachments for 10-20 R 1467A or 10-20 R 1483A, Strap :—							
8438	10-20 R 2597	Bolt, special, threaded, 2 BA	1	—	C	ND4			
28M/10288	AGS.2001/C/1	Nut, 2 BA;	1	—	C				
28P/1024	SP.4Y/B22	Pin, shackle, forward strap	2	—	C				
28P/1022	SP.4Y/B20	Pin, shackle, rear strap	2	—	C				
28P/9527619	SP.90/C7	Pin, split (SP.9/C8)	2	—	C				
28W/9419454	SP.10/C	Washer	2	—	C				
8436	10-20 R 781	Washer, special saddle	2	—	C	ND4			
	10-20 R 3065ND	STRIP , at locating bracket, $\frac{1}{8}$ " thick (Attach with Bostik "B")	1	Sorbo Rubber	LM	ND4			
	10-20 R 1497ND	STRIP , at roller bracket, $\frac{1}{8}$ " thick (Attach with Bostik "B")	1	Sorbo Rubber	LM	ND4			
8801	10-20 R 1501A/ND	SUPPORT , top, assembly	1	—	P	ND4			
		Spares for :—							
7122	10-20 R 905	HUB , for roller	4	—	C	ND4			
		Attachments for 10-20 R 905, Hub :—							
3411	A25/1C/DHS.S14/D	Bolt, 2 BA	1	—	C	ND4			
28W/9419454	SP.10/C	Washer	1	—	C				
	10-20 R 903	ROLLER	4	L.64	LM	ND4			
8802	10-20 R 1561	SHOE , aft roller	1	—	C	ND4			
		Attachments for 10-20 R 1561, Shoe :—see Attachments for 10-20 R 1501A/ND, Support :—							
8803	10-20 R 1649	SHOE , forward roller	1	—	C	ND4			
		Attachments for 10-20 R 1649, Shoe :—							
28D/1011247	A25/13E	Bolt, $\frac{1}{2}$ " BSF	1	—	C				
28M/7002430	AGS.2002/E/1	Nut, $\frac{1}{2}$ " BSF	1	—	C				
28W/9419405	SP.15/E	Washer	1	—	C				
8804	10-20 R 1647	STOP , roller bracket	1	—	C	ND4			
	10-20 R 3663A	SUPPORT , strap, assembly	2	—	—	ND4			
		Attach with 10-20 R 3663A, Support :—							
28S/9435716	A33/B12	Screw, 4 BA	2	—	C				
		Attachments for 10-20 R 1501A/ND, Support :—							
28D/7002440	A25/18E	Bolt, $\frac{1}{2}$ " BSF	3	—	C				
28M/7002430	AGS.2002/E/1	Nut, $\frac{1}{2}$ " BSF	3	—	C				
28W/9419405	SP.15/E	Washer	3	—	C				

**RADIO AND RADAR INSTALLATIONS
INSTALLATION OF RADAR A.I. MK. 18
(A.R.I.5884)**

Ref. No.	Part No.	Description	No. off	Material Specification	Class of Store or L.M.	Plate No.			
							1	2	3
10K/18619	—	UNIT , power (Servo), No. 2, Type 4835/B ...	1	—	P	ND2			
	—	UNIT , radar corrector, group (Drg. No. 10-20 R 2525)	1	—	—				
	10-20 R 3461A	LEAD , bonding, flexible, assembly... ..	1	—	LM	ND9			
5K/1489	PLESSEY 16/4/0048	BRAID , flexible, tinned copper	QR	—	C	ND9			
5X/7331	PLESSEY 2CZ.109945	INSERT , socket	1	—	C	ND9			
5X/3146	—	SLEEVE , adapter	1	—	C	ND9			
5X/6928	ERMA 12360	TERMINATION , lug	1	—	C	ND9			
10AD/3018	—	UNIT , corrector, Type 6525	1	—	P	ND2			
		Attachments for Ref. No. 10AD/3018, Unit :—							
28D/9130082	AS.1246/3B	Bolt, 4 BA	4	—	C				
28W/9419465	SP.13/B	Washer	4	—	C				
10AT/822	—	VISOR , Type 111 (Mod. 816)	1	—	P				
	—	INSTALLATION IN FUSELAGE NOSE (Drg. Nos. 10-20 R 3615 and 10-20 R 961)	1	—	—				
4212	10-20 N 1003A	BOX , torque switch, assembly	1	—	P	ND8			
4214	DHS.833/1	BLOCK , terminal, single-way, assembly	1	—	C				
4213	DHS.833/5	BLOCK , terminal, 5-way, assembly	1	—	C				
		Attachments for DHS.833/5, Block :—							
28S/1011486	A32/A24	Screw, 6 BA	2	—	C				
28W/9419473	SP.15/A	Washer	2	—	C				
	10-20 N 1005A	BOX , bare, assembly	1	—	—	ND8			
	10-20 N 1003A/CABLES	CABLES , link	QR	—	ECC				
10C/0115333	—	CAPACITOR	3	—	C	ND8			
		Attachments for Ref. No. 10C/0115333, Capacitor :— (per set of 3) :—							
28D/1007979	AS.1246/1B	Bolt, 4 BA	2	—	C				
	10-20 N 1009ND	Clip, 18 SWG	1	L.72	LM	ND8			
28M/10287	AGS.2001/B/1	Nut, 4 BA	2	—	C				
28W/9419474	SP.15/B	Washer	2	—	C				
5K/2887	SP.40/A4	GROMMET	3	—	C				
	10-20 N 4233	LABEL , 26 SWG	1	L.72	LM	ND8			
5CW/5907	SMITHS EAP.2340	SWITCH , torque	1	—	P	ND8			
		Attachments for Ref. No. 5CW/5907, Switch :—							
28D/1214865	AS.1246/2B	Bolt, 4 BA	4	—	C				
28W/9419474	SP.15/B	Washer	4	—	C				
		Attachments for 10-20 N 1003A, Box :—							
28S/9992522	A32/B16	Screw, 4 BA	4	—	C				
	—	CARRIER , radar, group (Drg. No. 10-20 R 1197)	1	—	—				
8788	10-20 R 783A	CARRIER , radar mounting, assembly	1	—	P	ND6			
		Spares for :—							
	10-20 R 2721	BRACKET , strap retaining, 18 SWG	3	L.72	LM	ND6			
	10-20 R 2511	BRACKET , support, radar runner, L.H., 18 SWG	1	L.72	LM	ND6			
	10-20 R 2512	BRACKET , support, radar runner, R.H., 18 SWG	1	L.72	LM	ND6			
	10-20 R 2793	BRACKET , support, radar runner, L.H., 18 SWG	1	L.72	LM	ND6			
	10-20 R 2794	BRACKET , support, radar runner, R.H., 18 SWG	1	L.72	LM	ND6			

RADIO AND RADAR INSTALLATIONS
INSTALLATION OF RADAR A.I. MK. 18
(A.R.I.5884)

Ref. No.	Part No.	Description	No. off	Material Specification	Class of Score or L.M.	Plate No.			
							1	2	3
	10-20 R 913	EYE-BOLT , threaded, $\frac{3}{8}$ " BSF	2	L.65		ND6			
		Attachments for 10-20 R 913, Eye-bolt :—							
28M/1011476	A27/JS	Nut, $\frac{3}{8}$ " BSF	1	—	C				
28P/9527619	SP.90/C7	Pin, split (SP.9/C8)	1	—	C				
28W/9419456	SP.10/J	Washer	1	—	C				
	10-20 R 865A	HOUSING , pin	2	—	—	ND6			
	10-20 R 881	HOUSING , generator spigot	1	RZ.5	—	ND6			
	10-20 R 873	HOUSING , modulator spigot	1	RZ.5	—	ND6			
	10-20 R 877	HOUSING , power pulse unit spigot, L.H. ...	1	RZ.5	—	ND6			
	10-20 R 878	HOUSING , power pulse unit spigot, R.H. ...	1	RZ.5	—	ND6			
	10-20 R 889A	HOUSING , radar carrier pin, assembly ...	1	—	—	ND6			
	10-20 R 893A	HOUSING , radar carrier pin, assembly ...	1	—	—	ND6			
	AVDEL LTD.								
28FP/4	A.407	PIN , " Pip," quick release	4	—	C	ND6			
	AVDEL LTD.								
28FP/927	A.428	PIN , " Pip," quick release	2	—	C	ND6			
		Attachments for A.407 or A.428, Pin :—							
20807	10-20 EC 8295A	Chain, assembly	1	—	C	ND6			
29H/4114	—	Chain, chandelier brass, 8" 0 long	1	—	C				
29H/—	—	Ring, split, $\frac{3}{8}$ " dia.	2	St. Stl.	C				
12026	DHS.180 Mk. 1/Z	Tag, chain retaining	1	—	C	ND6			
	8789	RUNNER , L.H., 18 SWG	1	—	C	ND6			
	8790	RUNNER , R.H., 18 SWG	1	—	C	ND6			
	10-20 R 885	SPIGOT , threaded, $\frac{3}{8}$ " BSF	4	S.1	—	ND6			
		Attachments for 10-20 R 885, Spigot :—							
28M/7002430	AGS.2002/E/1	Nut, $\frac{1}{2}$ " BSF	1	—	C				
28W/9418920	SP.10/E	Washer	1	—	C				
		Attachments for 10-20 R 783A, Carrier :—							
28D/9419397	A25/12C	Bolt, 2 BA, securing anti-vibration mountings ...	16	—	C				
28D/1202777	A25/26J	Bolt, $\frac{3}{8}$ " BSF	2	—	C				
28D/1212815	A25/46J	Bolt, $\frac{3}{8}$ " BSF	2	—	C				
	10AJ/150	Mounting, anti-vibration, Type 959... ..	8	—	P	ND6			
28M/13412	A24/JS	Nut, $\frac{3}{8}$ " BSF	4	—	C				
28M/10288	AGS.2001/C/1	Nut, 2 BA, securing anti-vibration mountings ...	16	—	C				
28P/9527619	SP.90/C7	Pin, split (SP.9/C8)	4	—	C				
	8791	Shim, " Attewell "	2	—	C				
28W/9419456	SP.10/J	Washer	2	—	C				
28W/9419402	SP.13/C	Washer, under nuts securing anti-vibration mountings	16	—	C				
28W/9419466	SP.13/J	Washer	2	—	C				
	10-20 R 3383	LEAD , bonding, flexible, assembly... ..	3	—	LM	ND9			
5K/1489	PLESSEY 16/4"/-0048	BRAID , flexible, tinned copper	QR	—	C	ND9			
5X/7331	—	INSERT , socket	1	—	C	ND9			
5X/3146	—	SLEEVE , adapter	1	—	C	ND9			
5X/9400385	—	TERMINATION , lug	1	—	C	ND9			

**RADIO AND RADAR INSTALLATIONS
INSTALLATION OF RADAR A.I. MK. 18
(A.R.I.5884)**

Ref. No.	Part No.	Description	No. off	Material Specification	Class of Store or L.M.	Place No.			
							1	2	3
5K/1489 5X/9400385 5X/—	10-20 R 3415	LEAD , bonding, flexible, assembly...	2	—	LM	ND9			
	PLESSEY 16/4"/.0048	BRAID , flexible, tinned copper ...	QR	—	C	ND9			
	—	TERMINATION , lug ...	1	—	C	ND9			
	ERMA 12387	TERMINATION , lug ...	1	—	C	ND9			
	—	CLIP , adjustable, securing loom to transverse strut on scanner mounting, group (Drg. No. 10-20 R 3939, Mod. 837)	1	—	—				
17023	10-20 R 3863A	CLIP , special, assembly (Mod. 837) ...	3	—	C	ND9			
28E/9129092	AGS.605 Mk. 2	CLIP , adjustable ...	1	—	C				
16695	10-20 R 3865A/ND	CLIP ...	1	—	C	ND9			
28E/1006377	AS.3180/12B	CLIP , "P," securing loom ...	2	—	C				
28S/9992522	A32/B16	Attachments for AS.3180/12B, Clip :— Screw, 4 BA ...	1	—	C				
28E/14056	AS.3180/9C	CLIP , "P," securing loom ...	2	—	C				
28E/1200550	AS.3180/12C	CLIP , "P," securing loom ...	2	—	C				
28S/1011490	A32/C16	Attachments for AS.3180/12C, Clip :— Screw, 2 BA ...	1	—	C				
28S/9137828	A32/C32	Screw, 2 BA ...	1	—	C				
16689	10-20 F 4003A	COVER , radar protective, assembly (Pre Mod. 1508 and Pre Mod. 1068)	1	—	C	ND11			
20462	10-20 F 8545A	COVER , radar, protective, assembly (Mod. 1508 and Mod. 1068)	1	—	C	ND11			
—	—	INSTALLATION OF CO-AXIAL CABLES (Drg. No. 10-20 R 2871)	1	—	—				
—	—	BLOCK AND CLIP , group ...	2	—	—				
10-20 R 3489	—	BLOCK , spacer, 1"-5 x 0"-9 x 0"-5 ...	2	LFS.21 or 23	LM	ND4			
28E/1201809	AS.3180/6B	CLIP , "P," cable securing ... Attachments for 10-20 R 3489, Block and AS.3180/6B, Clip :—	2	—	C				
28D/1011006	A25/5B	Bolt, 4 BA ...	1	—	C				
28D/1011019	A25/8C	Bolt, 2 BA, at lower block ...	1	—	C				
28D/9435710	A25/11C	Bolt, 2 BA, at upper block ...	1	—	C				
28M/10287	AGS.2001/B/1	Nut, 4 BA; ...	1	—	C				
28M/10288	AGS.2001/C/1	Nut, 2 BA, at lower block ...	1	—	C				
28W/9419402	SP.13/C	Washer ...	1	—	C				
14934	10-20 R 2675A	CABLE ; co-axial, coded " CU.9-IND.4," assembly	1	—	C	ND2			
14936	10-20 R 2691A	CABLE ; co-axial, coded " FUL.4-BULKHEAD," assembly	1	—	C	ND2			
14935	10-20 R 2677A	CABLE ; co-axial, coded " FUL.5-CU.8," assembly	1	—	C	ND2			
16688	10-20 R 3587A	CABLE ; co-axial, E.H.T. connector, coded " MOD. PLO.1-TR.SKO.6," assembly	1	—	C	ND1			
19929	10-20 R 3585A	CABLE ; co-axial, E.H.T. connector, coded " PUP. PLO.1-MOD. SKO.3," assembly	1	—	C	ND1			
14939	10-20 R 2671A	CABLE ; co-axial, coded " TRU.4-BULKHEAD," assembly	1	—	C	ND1			
14937	10-20 R 2673A	CABLE ; co-axial, coded " TR.4-TRU.3," assembly	1	—	C	ND1			
14938	10-20 R 2669A	CABLE ; co-axial, coded " TR.5-RU.2," assembly	1	—	C	ND1			
—	—	FAIRLEAD AND CLIP on scanner mounting strut in nose, Port, group	1	—	—				
28E/1201809	AS.3180/6B	CLIP , "P," securing cable from modulator unit Attachments for AS.3180/6B, Clip :—	1	—	C				
28D/1011006	A25/5B	Bolt, 4 BA ...	1	—	C				
28M/10287	AGS.2001/B/1	Nut, 4 BA ...	1	—	C				

**RADIO AND RADAR INSTALLATIONS
INSTALLATION OF RADAR A.I. MK. 18
(A.R.I.5884)**

Ref. No.	Part No.	Description	No. off										Material Specification	Class of Store or L.M.	Place No.	
			1	2	3	4	5	6	7	8	9	10				
	10-20 R 9085A	FAIRLEAD , assembly											2	—	—	ND4
	10-20 R 9069ND	CAPPING (Make from standard section X.31)											1	—	LM	ND4
	10-20 R 9071ND	CAPPING (Make from standard section X.31)											1	—	LM	ND4
	10-20 R 3419ND	FAIRLEAD , red fibre											1	—	LM	ND4
		Attachments for 10-20 R 9085A, Fairlead :—														
28D/1010030	A27/7C	Bolt, 2 BA											3	—	C	
28M/10288	AGS.2001/C/1	Nut, 2 BA											3	—	C	
28W/9419402	SP.13/C	Washer											3	—	C	
	—	RAILS , mounting, transmitter and receiver, group (Drg. No. 10-20 F 1987)											1	—	—	ND11
13101	10-20 F 1627	BRACKET , attachment, T.R. unit top mounting rail, stn. 58"44											1	—	C	ND11
		Attachments for 10-20 F 1627, Bracket :—														
		to rail :—														
28D/9709461	AS.1242/3C	Bolt, 2 BA											4	—	C	
28M/10288	AGS.2001/C/1	Nut, 2 BA											4	—	C	
28W/9419402	SP.13/C	Washer											3	—	C	
		to strut :—														
28D/1008145	A25/6E	Bolt, 1/2" BSF											1	—	C	
28M/10290	AGS.2001/E/1	Nut, 1/2" BSF											1	—	C	
28W/9419405	SP.15/E	Washer											1	—	C	
	10-20 F 2417A	CHAIN , retaining "Pip" pin, assembly											1	—	—	ND11
29H/4114	—	CHAIN , brass, chandelier, 8"-0 long											QR	—	C	
29H/—	—	RING , split, 3/8" dia.											2	St. Stl.	C	
13095	DHS.180.Mk. 3/Z	TAG											1	—	C	ND11
	10-20 R 3381	LEAD , bonding, flexible											1	—	LM	ND9
5K/1489	PLESSEY 16/4"0048	BRAID , flexible, tinned copper											QR	—	C	ND9
5X/3242	—	PIN , plug, 19 amp.											1	—	C	ND9
5X/3146	—	SLEEVE , adapter											1	—	C	ND9
5X/6793	—	TERMINATION , lug											1	—	C	ND9
	AVDEL LTD.															
28FP/10	A.417	PIN , "Pip," quick release											2	—	C	ND11
13103	10-20 F 1771A	RAIL , mounting, bottom, assembly											1	—	C	ND11
		Spares for :—														
	10-20 F 3607	PACKING , forward, 1"-6 x 0"-54 x 16 SWG											1	L.71	LM	ND11
	10-20 F 3609	PACKING , aft, 1"-0 x 0"-54 x 16 SWG											1	L.71	LM	ND11
	10-20 F 1009ND	PAD , stop, 0"-80 x 0"-80											1	LFS.21 or 23	LM	ND11
		Attachments for 10-20 F 1771A, Rail :—														
28D/1214091	AS.1242/2C	Bolt, 2 BA											2	—	C	
28D/9709461	AS.1242/3C	Bolt, 2 BA											4	—	C	
28M/10288	AGS.2001/C/1	Nut, 2 BA											6	—	C	
13104	10-20 F 2027ND	Ship. laminated, "Attewell"											2	—	C	ND11
28W/9419402	SP.13/C	Washer											6	—	C	

**RADIO AND RADAR INSTALLATIONS
INSTALLATION OF RADAR A.I. MK. 18
(A.R.I.5884)**

Ref. No.	Part No.	Description	No. off	Material Specification	Class of Score or L.M.	Plate No.			
							1	2	3
10746	10-20 F 2489A	RAIL , mounting, top, assembly	1	—	C	ND11			
		Spares for :—							
	10-20 F 3607	PACKING , forward, 1" x 0.54 x 16 SWG	1	L.71	LM	ND11			
	10-20 F 3609	PACKING , aft, 1" x 0.54 x 16 SWG ...	1	L.71	LM	ND11			
		Attachments for 10-20 F 2489A, Rail :—							
28D/1008151	A25/4E	Bolt, 1/2" BSF	1	—	C				
28M/10290	AGS.2001/E/1	Nut, 1/2" BSF	1	—	C				
13102	10-20 F 1135ND	Shim, laminated, "Attewell"	1	—	C	ND11			
28W/9418921	SP.13/E	Washer	1	—	C				
	—								
	10-20 R 3423	SWITCH , magnetic, group	1	—	—				
		PLATE , mounting, 18 SWG	1	L.72	LM	ND4			
		Attachments for 10-20 R 3423, Plate :—							
28D/9436920	A25/1C	Bolt, 2 BA	4	—	C				
28W/9419402	SP.13/C	Washer	4	—	C				
	5CW/6309	SWITCH , magnetic, Type 31A	1	—	P	ND4			
		Attachments for Ref. No. 5CW/6309, Switch :—							
28D/1011006	A25/5B	Bolt, 4 BA	4	—	C				
28M/10287	AGS.2001/B/1	Nut, 4 BA	4	—	C				
28W/9419465	SP.13/B	Washer	4	—	C				
	8785	TRAY , Servo Unit, assembly	1	—	P	ND6			
		Spares for :—							
	10AJ/150	MOUNTING , anti-vibration, Type 959	4	—	P				
		Attachments for Ref. No. 10AJ/150, Mounting :—							
	8787	Block, distance	2	—	C	ND6			
	8786	Bolt, 2 BA	4	—	C	ND6			
28M/9403520	A27/CP	Nut, 2 BA	4	—	C				
	10AC/140	Washer, check	1	—	C				
	10-20 R 777	PIN , locating, threaded, 1/2" BSF	2	S.92	—	ND6			
		Attachments for 10-20 R 777, Pin :—							
28M/10290	AGS.2001/E/1	Nut, 1/2" BSF	1	—	C				
28W/9419405	SP.15/E	Washer	1	—	C				
	28FP/8	PIN , "Pip," quick release	1	—	C	ND6			
	28FP/9433676	PIN , "Pip," quick release	1	—	C	ND6			
		Attachments for A.415 or A.421, Pin :—							
	20807	Chain, assembly	1	—	C	ND6			
29H/4114	—	Chain, chandelier, brass, 8" 0 long	1	—	C				
29H/—	—	Ring, split, 1/2" dia.	2	St. Stl.	C				
12026	DHS.180 Mk. 1/Z	Tag, chain retaining	1	—	C	ND6			
	10-20 R 2359	PLATE , bearing, 18 SWG	2	DTD.124	—	ND6			
		Attachments for 10-20 R 1113A, Tray :—							
28D/1011303	A25/13J	Bolt, 1/2" BSF	4	—	C				

**RADIO AND RADAR INSTALLATIONS
INSTALLATION OF RADAR A.I. MK. 18
(A.R.I.5884)**

Ref. No.	Part No.	Description	No. off	Material Specification	Class of Store or L.M.	Plate No.			
							1	2	3
		UNIT, generator, waveform and mounting, group (Drg. No. 10-20 R 963)	1	—	—				
8439	DHS.901/17EE	BOLT, 1/2" BSF, securing cradle to generator ...	2	—	C				
17339	DHS.901/18EE	BOLT, 1/2" BSF, securing cradle to generator ...	1	—	C				
8441	10-20 R 925A	CRADLE, assembly ...	1	—	P	ND5			
	10-20 R 927	BRACKET, 10 SWG ...	4	L.72	LM	ND5			
	10-20 R 2513	BRACKET, strap anchorage, 14 SWG ...	2	L.72	LM	ND5			
	10-20 R 973ND	BUSH, spigot locating (Make from Ref. No. 28Q/8891, AGS.2040/1009 Rivet)	2	—	LM	ND5			
	10-20 R 937	RUNNER, L.H., 16 SWG ...	1	L.72	LM	ND5			
	10-20 R 3413	RUNNER, R.H., 16 SWG ...	1	L.72	LM	ND5			
	10-20 R 955A	STRAP (two halves), assembly ...	1	—	—	ND5			
	10-20 R 945A/ND	STRAP, half, long, assembly ...	1	—	—	ND5			
	10-20 R 953ND	HINGE (Make from standard section J.746)	1	DTD.423	LM	ND5			
	10-20 R 941ND	STRIP, 1/2" thick (Attach with Bostik "B")	1	Sorbo Rubber	LM	ND5			
	10-20 R 773ND	TUBE, reinforcing, 1/2" o/d x 18 SWG x 1'-0" long	1	L.55	LM	ND5			
	10-20 R 951A/ND	STRAP, half, short, assembly ...	1	—	—	ND5			
	10-20 R 953ND	HINGE (Make from standard section J.746)	1	DTD.423	LM	ND5			
	10-20 R 947ND	STRIP, 1/2" thick (Attach with Bostik "B")	1	Sorbo Rubber	LM	ND5			
	10-20 R 773ND	TUBE, reinforcing, 1/2" o/d x 18 SWG x 1'-0" long	1	L.55	LM	ND5			
		Attachments for 10-20 R 955A, Strap :—							
8438	10-20 R 2597	Bolt, special, threaded, 2 BA ...	1	S.96	C	ND5			
28M/10288	AGS.2001/C/1	Nut, 2 BA ...	1	—	C				
28P/1021	SP.4Y/B19	Pin, shackle ...	2	—	C				
28P/1021104	SP.90/C3	Pin, split (SP.9/C4) ...	2	—	C				
8436	10-20 R 781	Washer, special saddle ...	2	—	C	ND5			
	10-20 R 931A	SUPPORT, front, assembly ...	1	L.72	—	ND5			
	10-20 R 933A	SUPPORT, rear, assembly ...	1	—	—	ND5			
	10-20 R 957ND	STRIP, 1/2" thick (Attach with Bostik "B")	2	Sorbo Rubber	LM	ND5			
	10-20 R 3381	LEAD, bonding, flexible, assembly ...	1	—	LM	ND9			
5K/1489	PLESSEY 16/4/0048	BRAID, flexible, tinned copper ...	QR	—	C	ND9			
5X/3242	—	PIN, plug, 19 amp. ...	1	—	C	ND9			
5X/3146	—	SLEEVE, reducing, adapter ...	1	—	C	ND9			
5X/6793	ERMA 12310	TERMINATION, lug ...	1	—	C	ND9			
28M/10320	AGS.2002/E/3	NUT, 1/2" BSF, securing cradle to generator ...	3	—	C				
10V/16268	—	UNIT, generator, Type 4322 ...	1	—	P	ND1			
28W/9419405	SP.15/E	WASHER, for: cradle securing bolts ...	3	—	C				
		UNIT, main power, and mounting, group ... (Drg. No. 10-20 R 1191)	1	—	—				
8439	DHS.901/17EE	BOLT, 1/2" BSF, securing cradle to unit ...	2	—	C				
8440	DHS.901/171/EE	BOLT, 1/2" BSF, securing cradle to unit ...	2	—	C				
	10-20 R 1513	CRADLE, c/w strap, assembly ...	1	—	—	ND10			
8437	10-20 R 1569A/ND	CRADLE, assembly ...	1	—	P	ND10			
	10-20 R 1157	BRACKET, front, L.H., 18 SWG ...	1	L.72	LM	ND10			
	10-20 R 1158	BRACKET, front, R.H., 18 SWG ...	1	L.72	LM	ND10			
	10-20 R 1511	BRACKET, rear, L.H., 14 SWG ...	1	L.72	LM	ND10			
	10-20 R 1512	BRACKET, rear, R.H., 14 SWG ...	1	L.72	LM	ND10			

**RADIO AND RADAR INSTALLATIONS
INSTALLATION OF RADAR A.I. MK. 18
(A.R.I.5884)**

Ref. No.	Part No.	Description	No. off	Material Specification	Class of Store or L.M.	Plate No.			
							1	2	3
	10-20 R 973ND	BUSH , special (Make from 28Q/8891, Part No. AGS.2040/1009 Rivet)	2	—	LM	ND10			
	10-20 R 2791ND AVDEL LTD. A.407	PAD , bush, housing, 22 SWG...	2	L.72	LM	ND10			
28FP/9469298		PIN , "Pip," quick release ... Attachments for A.407, Pin:—	2	—	C	ND10			
20807	10-20 EC 8295A	Chain, assembly ...	1	—	C	ND10			
29H/4114	—	Chain, chandelier, 8"0 long ...	1	—	C				
29H/—	—	Ring, split, 3/8" dia. ...	2	—	—				
12026	DHS.180 Mk. 1/Z	Tag, chain retaining ...	1	—	C	ND10			
	10-20 R 1509	RUNNER , L.H., 18 SWG ...	1	L.72	LM	ND10			
	10-20 R 1510	RUNNER , R.H., 18 SWG ...	1	L.72	LM	ND10			
	10-20 R 1505	SUPPORT , front, 18 SWG ...	1	L.72	—	ND10			
	10-20 R 1507A	SUPPORT , rear, assembly ... Spares for:—	1	—	—	ND10			
	10-20 R 1181ND	STRIP , 3/8" thick (Attach with Bostik "B")	2	Sorbo Rubber	LM	ND10			
	10-20 R 761A	STRAP (two halves), assembly ...	1	—	—	ND10			
8799	10-20 R 763A/ND	STRAP , half, long, assembly ... Spares for:—	1	—	C	ND10			
	10-20 R 771	HINGE (Make from standard section J.746)	1	DTD.423	LM	ND10			
	10-20 R 769ND	STRIP , 3/8" thick (Attach with Bostik "B")	1	Sorbo Rubber	LM	ND10			
	10-20 R 773ND	TUBE , reinforcing, 1/2" o/d x 18 SWG x 1"0 long	1	—	LM	ND10			
8800	10-20 R 765A/ND	STRAP , half, short, assembly ... Spares for:—	1	—	C	ND10			
	10-20 R 771	HINGE (Make from standard section J.746)	1	DTD.423	LM	ND10			
	10-20 R 779ND	STRIP , 3/8" thick (Attach with Bostik "B")	1	Sorbo Rubber	LM	ND10			
	10-20 R 773ND	TUBE , reinforcing, 1/2" o/d x 18 SWG x 1"0 long	1	L.55	LM	ND10			
8438	10-20 R 2597	Attachments for 10-20 R 761A, Strap:—							
28M/10288	AGS.2001/C/1	Bolt, special, threaded, 2 BA ...	1	—	C	ND10			
28P/9138818	SP.4Y/B19	Nut, 2 BA ...	1	—	C				
28P/9527619	SP.90/C7	Pin, shackle ...	2	—	C				
8436	10-20 R 781	Pin, splic (SP.9/C8) ...	2	—	C				
		Washer, special saddle ...	2	—	C	ND10			
	10-20 R 3381	LEAD , bonding, flexible, assembly...	1	—	LM	ND9			
5K/1489	PLESSEY 16/4"-0048	BRAID , flexible, tinned copper ...	QR	—	C	ND9			
5X/3242	—	PIN , plug, 19 amp. ...	1	—	C	ND9			
5X/3146	—	SLEEVE , adapter ...	1	—	C	ND9			
5X/6793	ERMA 12310	TERMINATION , lug ...	1	—	C	ND9			
28M/10320	AGS.2002/E/3	NUT , 1/4" BSF, securing cradle to unit ...	4	—	C				
10K/18605	—	UNIT , main power, Type 4325/B ...	1	—	P	ND1			
28W/9419405	SP.15/E	WASHER , for cradle securing bolts ...	4	—	C				

RADIO AND RADAR INSTALLATIONS
INSTALLATION OF RADAR A.I. MK. 18
(A.R.I.5884)

Ref. No.	Part No.	Description	No. off										Material Specification	Class of Store or L.M.	Plate No.	
			1	2	3	4	5	6	7	8	9	10				
	—	UNIT , modulator, and mounting, group											1	—	—	
		(Drg. No. 10-20 R 965)														
8439	DHS.901/17EE	BOLT , 1/4" BSF, securing cradle to modulator ...											3	—	C	
8441	10-20 R 925A	CRADLE , assembly											1	—	P	ND5
	10-20 R 927	BRACKET , 10 SWG											4	L.72	LM	ND5
	10-20 R 2513	BRACKET , strap anchorage, 14 SWG											2	L.72	LM	ND5
	10-20 R 973ND	BUSH , spigot locating (Make from Ref. No. 28Q/8891, Part No. AGS.2040/1009 Rivet)											2	—	LM	ND5
	10-20 R 937	RUNNER , L.H., 16 SWG											1	L.72	LM	ND5
	10-20 R 3413	RUNNER , R.H., 16 SWG											1	L.72	LM	ND5
	10-20 R 955A	STRAP (two halves), assembly											1	—	—	ND5
	10-20 R 945A/ND	STRAP , half, long, assembly											1	—	—	ND5
		Spares for :—														
	10-20 R 953ND	HINGE (Make from standard section J.746)											1	DTD.493	LM	ND5
	10-20 R 941ND	STRIP , 1/2" thick (Attach with Bostik "B")											1	Sorbo Rubber	LM	ND5
	10-20 R 773ND	TUBE , reinforcing, 1/2" o/d x 18 SWG x 1'-0 long											1	L.55	LM	ND10
	10-20 R 951A/ND	STRAP , half, short, assembly											1	—	—	ND5
		Spares for :—														
	10-20 R 953ND	HINGE (Make from standard section J.746)											1	DTD.423	LM	ND5
	10-20 R 947ND	STRIP , 1/2" thick (Attach with Bostik "B")											1	Sorbo Rubber	LM	ND5
	10-20 R 773ND	TUBE , reinforcing, 1/2" o/d x 18 SWG x 1'-0 long											1	L.55	LM	ND5
		Attachments for 10-20 R 955A, Strap :—														
8438	10-20 R 2597	Bolt, special, threaded, 2 BA											1	—	C	ND5
28M/10288	AGS.2001/C/1	Nut, 2 BA											1	—	C	
28P/9138818	SP.4Y/B19	Pin, shackles											2	—	C	
28P/1021104	SP.90/C3	Pin, split (SP.9/C4)											2	—	C	
8436	10-20 R 781	Washer, special saddle											2	—	C	ND5
	10-20 R 931A	SUPPORT , front, assembly											1	L.72	—	ND5
	10-20 R 933A	SUPPORT , rear, assembly											1	L.72	—	ND5
		Spares for :—														
	10-20 R 957ND	STRIP , 1/2" thick (Attach with Bostik "B")											2	Sorbo Rubber	LM	ND5
	10-20 R 3381	LEAD , bonding, flexible, assembly											1	—	LM	ND9
5K/1489	PLESSEY 16/4/0048	BRAID , flexible, tinned copper											QR	—	C	ND9
5X/3242	—	PIN , plug, 19 amp.											1	—	C	ND9
5X/3146	—	SLEEVE , adapter											1	—	C	ND9
5X/6793	ERMA 12310	TERMINATION , lug											1	—	C	
28M/10320	AGS.2002/E/3	NUT , 1/4" BSF, securing cradle to modulator ...											3	—	C	
10D/19747	—	UNIT , modulator, Type 4319											1	—	P	ND1
28W/9419405	SP.15/E	WASHER , for cradle securing bolts											1	—	C	
28W/9419487	SP.16/E	WASHER , for cradle securing bolts											2	—	C	
10AE/876	—	UNIT , power corrector											1	—	P	ND1
		Attachments for Ref. No. 10AE/876, Unit :—														
28D/9133011	A25/2C	Bolt, 2 BA											4	—	C	
28W/9419475	SP.15/C	Washer											4	—	C	

**RADIO AND RADAR INSTALLATIONS
INSTALLATION OF RADAR A.I. MK. 18
(A.R.I.5884)**

Ref. No.	Part No.	Description	1 2 3 4 5 6 7 8 9 10										No. off	Material Specification	Class of Score or L.M.	Plate No.
	—	UNIT , power pulse, and mounting, group ... (Drg. No. 10-20 R 967)											1	—	—	
8439	DHS.901/17EE	BOLT , 1/2" BSF, securing cradle to unit ...											3	—	C	
8446	10-20 R 939A	CRADLE , assembly ...											1	—	P	ND10
	10-20 R 2513	BRACKET , strap anchor, 14 SWG ...											2	L.72	LM	ND10
	10-20 R 2505ND	BRACKET , 14 SWG ...											2	L.72	LM	ND10
	10-20 R 935	RUNNER , L.H., 16 SWG ...											1	L.72	LM	ND10
	10-20 R 936	RUNNER , R.H., 16 SWG ...											1	L.72	LM	ND10
	10-20 R 2507	SOCKET , ...											2	S.92	LM	ND10
		Attachments for 10-20 R 2507, Socket:—														
28M/7002430	AGS.2002/E/1	Nut, 1/2" BSF ...											2	—	C	
	10-20 R 955A	STRAP (two halves), assembly ...											1	—	—	ND10
	10-20 R 945A/ND	STRAP , half, long, assembly ...											1	—	—	ND10
		Spare for:—														
	10-20 R 953ND	HINGE (Make from standard section J.746)											1	—	LM	ND10
	10-20 R 947ND	STRIP , 1/2" thick (Attach with Bostik "B")											1	Sorbo Rubber	LM	ND10
	10-20 R 773ND	TUBE , reinforcing, 1/2" o/d x 18 SWG x 1"0 long											1	L.55	LM	ND10
	10-20 R 951A/ND	STRAP , half, short, assembly ...											1	—	—	ND10
		Spare for:—														
	10-20 R 953ND	HINGE (Make from standard section J.746)											1	—	LM	ND10
	10-20 R 947ND	STRIP , 1/2" thick (Attach with Bostik "B")											1	Sorbo Rubber	LM	ND10
	10-20 R 773ND	TUBE , reinforcing, 1/2" o/d x 18 SWG x 1"0 long											2	L.55	LM	ND10
		Attachments for 10-20 R 955A, Strap:—														
8438	10-20 R 2597	Bolt, special, threaded, 2 BA ...											1	—	C	ND10
28M/10288	AGS.2001/C/1	Nut, 2 BA ...											1	—	C	
28P/9138818	SP.4Y/B19	Pin, shackle ...											2	—	C	
28P/1202460	SP.9/C4	Pin, split ...											2	—	C	
8436	10-20 R 781	Washer, special saddle ...											2	—	C	ND10
	10-20 R 931A	SUPPORT , front, assembly ...											1	—	—	ND10
	10-20 R 933A	SUPPORT , rear, assembly ...											1	—	—	ND10
		Spare for:—														
	10-20 R 957ND	STRIP , 1/2" thick (Attach with Bostik "B")											2	Sorbo Rubber	LM	ND10
	10-20 R 3381	LEAD , bonding, flexible, assembly ...											1	—	LM	ND9
5K/1489	PLESSEY 16/4/0048	BRAID , flexible, tinned copper ...											QR	—	C	ND9
5X/3242	—	PIN , plug, 19 amp. ...											1	—	C	ND9
5X/3146	—	SLEEVE , adapter ...											1	—	C	ND9
5X/6793	ERMA 12310	TERMINATION , lug ...											1	—	C	ND9
28M/10320	AGS2002/E/3	NUT , 1/2" BSF, securing cradle to unit ...											3	—	C	
10K/18450	—	UNIT , power pulse, Type 4320 ...											1	—	P	ND1
28W/9419405	SP.15/E	WASHER , for cradle securing bolts ...											3	—	C	
	—	UNIT , radar adapter (P.A.S.) and mounting, group ... (Drg. No. 10-20 R 2351)											1	—	—	
	10-20 R 9261A/ND	MOUNTING , adapter unit, assembly (For spares use 10-20 R 9341A/ND)											1	—	—	ND
18360	10-20 R 9341A/ND	MOUNTING , adapter unit, assembly ... (Spare condition)											1	—	C	
		Spare for:—														
	10-20 S 20981	LABEL , "Instructions for priming radome damper," 20 SWG (Drg. No. 10-20 R 9259A)											1	Alumn.	LM	ND
		Attachments for 10-20 R 9261A/ND, Mounting:—														
28D/9436920	A25/1C	Bolt, 2 BA ...											3	—	C	
28D/1011030	A25/2E	Bolt, 2 BA ...											2	—	C	
28M/10288	AGS.2001/C/1	Nut, 2 BA ...											3	—	C	
28M/10290	AGS.2001/E/1	Nut, 2 BA ...											2	—	C	
28W/9419402	SP.13/C	Washer ...											3	—	C	
28W/9418921	SP.13/E	Washer ...											2	—	C	

RADIO AND RADAR INSTALLATIONS
INSTALLATION OF RADAR A.I. MK. 18
(A.R.I.5884)

Ref. No.	Part No.	Description	No. off	Material Specification	Class of Store or L.M.	Plate No.			
							1	2	3
8B/3770	—	UNIT , radar adapter	1	—	P				
28D/1010658	A25/1B	Attachments for Ref. No. 8B/3770, Unit :—							
28W/9419401	SP.10/B	Bolt, 4 BA	5	—	C				
		Washer	5	—	C				
	—	UNIT , ranging and mounting, group	1	—	—				
		(Drg. No. 10-20 R 2253)							
17340	DHS.901/15EE	BOLT , 1" BSF, securing cradle to unit	2	—	C				
8449	10-20 R 2397A/ND	CRADLE , assembly	1	—	P	ND7			
		Spares for :—							
	10-20 R 2285	BRACKET	2	L.72	LM	ND7			
	10-20 R 2267A	CRADLE , rear, assembly	1	—	—	ND7			
		Spares for :—							
	10-20 R 2269ND	PACKING , rubber bonded cork jointing, 1/16" thick	1	DTD.762	LM	ND7			
		(Attach with Boscoprene 551)							
	10-20 R 2279A	RUNNER , ranging unit mounting, assembly 18 SWG	2	L.72	LM	ND7			
	10-20 R 3381	LEAD , bonding, flexible, assembly	1	—	LM	ND9			
5K/1489	PLESSEY 16/4/"-0048	BRAID , flexible, tinner copper	QR	—	C	ND9			
5X/3242	—	PIN , plug, 1/4 amp.	1	—	C	ND9			
5X/3146	—	SLEEVE , adapter	1	—	C	ND9			
5X/6793	ERMA 12310	TERMINATION , lug	1	—	C	ND9			
	10-20 R 2273A	STRAP , assembly	1	—	—	ND7			
		Spares for :—							
	10-20 R 2275ND	STRIP , rubber bonded cork jointing, 1/16" thick	1	DTD.742	LM	ND7			
		(Attach with Boscoprene 551)							
		Attachments for 10-20 R 2273A, Strap :—							
28P/870	SP.4Y/D12	Pin, shackle	1	—	C				
28P/1007741	SP.9/C8	Pin, split	1	—	C				
28M/10320	AGS.2002/E/3	NUT , 1/2" BSF, securing cradle to unit	2	—	C				
8450	10-20 R 2281	TRUNNION , plain	1	—	C	ND7			
8451	10-20 R 2283	TRUNNION , tapped, 1/2" BSF	1	—	C	ND7			
		Attachments for 10-20 R 2281 and 10-20 R 2283, Trunnion :—							
28D/1011244	A25/9E	Bolt, 1/2" BSF (Lock to DHS.514/D)	1	—	C				
28P/1007741	SP.9/C8	Pin, split	2	—	C				
10Q/16262	—	UNIT , ranging, Type 4878	1	—	P	ND1			
28W/9418920	SP.10/E	WASHER , for cradle securing bolts	2	—	C				
	—	UNIT , resonator performance testing and mounting, group (Drg. No. 10-20 R 2395)	1	—	—				
8444	10-20 R 2393	BRACKET , mounting	1	—	C	ND9			
		Attachments for 10-20 R 2393, Bracket :—							
28D/8325	AS.1242/4E	Bolt, 1/2" BSF	3	—	C				
28D/1011238	A25/3E	Bolt, 1/2" BSF	3	—	C				
28M/12928	A27/EP	Nut, 1/2" BSF	6	—	C				
28W/9418921	SP.13/E	Washer	6	—	C				
10S/16671	—	UNIT , resonator performance testing, Type 5317	1	—	P	ND1			
		Attachments for Ref. No. 10S/16671, Unit :—							
	10-20 R 2567ND	Block, packing, 0"75 o/d x 0"316 i/d x 1"25 long	3	LFS.21, 23, 26 or LFB.82	LM				
28D/12891	A25/19G	Bolt, 1/2" BSF	2	—	C				
28D/1011263	A25/20G	Bolt, 1/2" BSF	1	—	C				
28M/7002431	AGS.2002/G/1	Nut, 1/2" BSF	3	—	C				
28W/9419455	SP.10/G	Washer	3	—	C				

**RADIO AND RADAR INSTALLATIONS
INSTALLATION OF RADAR A.I. MK. 18
(A.R.I.5884)**

Ref. No.	Part No.	Description	No. off	Material Specification	Class of Store or L.M.	Place No.			
							1	2	3
10B/17450	—	UNIT , scanning (bolts supplied with unit) ...	1	—	P	ND1			
	—	UNIT , servo and mouncing, group ... (Drg. No. 10-20 R 981)	1	—	—	ND7			
12205	DHS.901/19E	BOLT , 1/2" BSF, securing cradle to unit ...	4	—	C				
8445	10-20 R 1089A	CRADLE , assembly ...	1	—	P	ND7			
	10-20 R 1091ND	CHANNEL , 20 SWG ...	1	L.72	LM	ND7			
	10-20 R 1093ND	CHANNEL , 20 SWG ...	1	L.72	LM	ND7			
	10-20 R 1095ND	MEMBER , side, 20 SWG ...	1	L.72	LM	ND7			
	10-20 R 1097ND	MEMBER , side, 20 SWG ...	1	L.72	LM	ND7			
	10-20 R 1109ND	PACKING , 1/8" thick ...	1	LFS.21 or 23	LM	ND7			
	10-20 R 1103ND	PLATE , 20 SWG ...	1	L.72	LM				
	10-20 R 1105ND	PLATE , 20 SWG ...	1	L.72	LM				
	10-20 R 1107ND	PLATE , 14 SWG ...	4	L.72	LM	ND7			
	10-20 R 1099ND	PLATE , reinforcing, 20 SWG ...	1	L.72	LM	ND7			
	10-20 R 1101ND	PLATE , reinforcing, 20 SWG ...	1	L.72	LM	ND7			
	10-20 R 1111ND	PLATE , reinforcing, 20 SWG ...	6	L.72	LM	ND7			
	10-20 R 761A	STRAP , (two halves), assembly ...	1	—	—	ND7			
8799	10-20 R 763A/ND	STRAP , half, long, assembly ...	1	—	C	ND7			
		Spares for:—							
	10-20 R 771	HINGE (Make from standard section J.746)	1	DTD.423	LM	ND7			
	10-20 R 769ND	STRIP , 1/2" thick (Attach with Bostik "B")	1	Sorbo Rubber	LM	ND7			
	10-20 R 773ND	TUBE , reinforcing, 1/2" o/d x 18 SWG x 1"0 long	1	L.55	LM	ND7			
8800	10-20 R 765A/ND	STRAP , half, short, assembly ...	1	—	C	ND7			
		Spares for:—							
	10-20 R 771	HINGE (Make from standard section J.746)	1	DTD.423	LM	ND7			
	10-20 R 779ND	STRIP , 1/2" thick (Attach with Bostik "B")	1	Sorbo Rubber	LM	ND7			
	10-20 R 773ND	TUBE , reinforcing, 1/2" o/d x 18 SWG x 1"0 long	2	L.55	C	ND7			
		Attachments for 10-20 R 761A, Strap:—							
8438	10-20 R 2597	Bolt, special, threaded, 2 BA ...	2	—	C	ND7			
28M/10288	AGS.2001/C/1	Nut, 2 BA ...	1	—	C				
28P/9138818	SP.4Y/B19	Pin, shackle ...	2	—	C				
28P/9527619	SP.90/C7	Pin, split (SP.9/C8) ...	2	—	C				
8436	10-20 R 781	Washer, special saddle ...	2	—	C	ND7			
	10-20 R 3381	LEAD , flexible, bonding, assembly ...	1	—	LM	ND9			
5K/1489	PLESSEY 16/4"-0048	BRAID , flexible, tinned copper ...	QR	—	C	ND9			
5X/3242	—	PIN , plug, 19 amp. ...	1	—	C	ND9			
5X/3146	—	SLEEVE , adapter ...	1	—	C	ND9			
5X/6793	ERMA 12310	TERMINATION , lug ...	1	—	C	ND9			
28M/10320	AGS.2002/E/3	NUT , 1/2" BSF, securing cradle to unit ...	4	—	C				
10L/16242	—	UNIT , servo, Type 4316 ...	1	—	P				
28W/9419405	SP.15/E	WASHER , for cradle securing bolts ...	4	—	C				
10AE/826	—	UNIT , transfer relay ...	1	—	P	ND1			
		Attachments for Ref. No. 10AE/826, Unit:—							
28D/1212612	A25/53E	Bolt, 1/2" BSF ...	2	—	C				
28M/10330	AGS.2002/E/1	Nut, 1/2" BSF ...	2	—	C				
28W/9418921	SP.13/E	Washer ...	2	—	C				

**RADIO AND RADAR INSTALLATIONS
INSTALLATION OF RADAR A.I. MK. 18
(A.R.I.5884)**

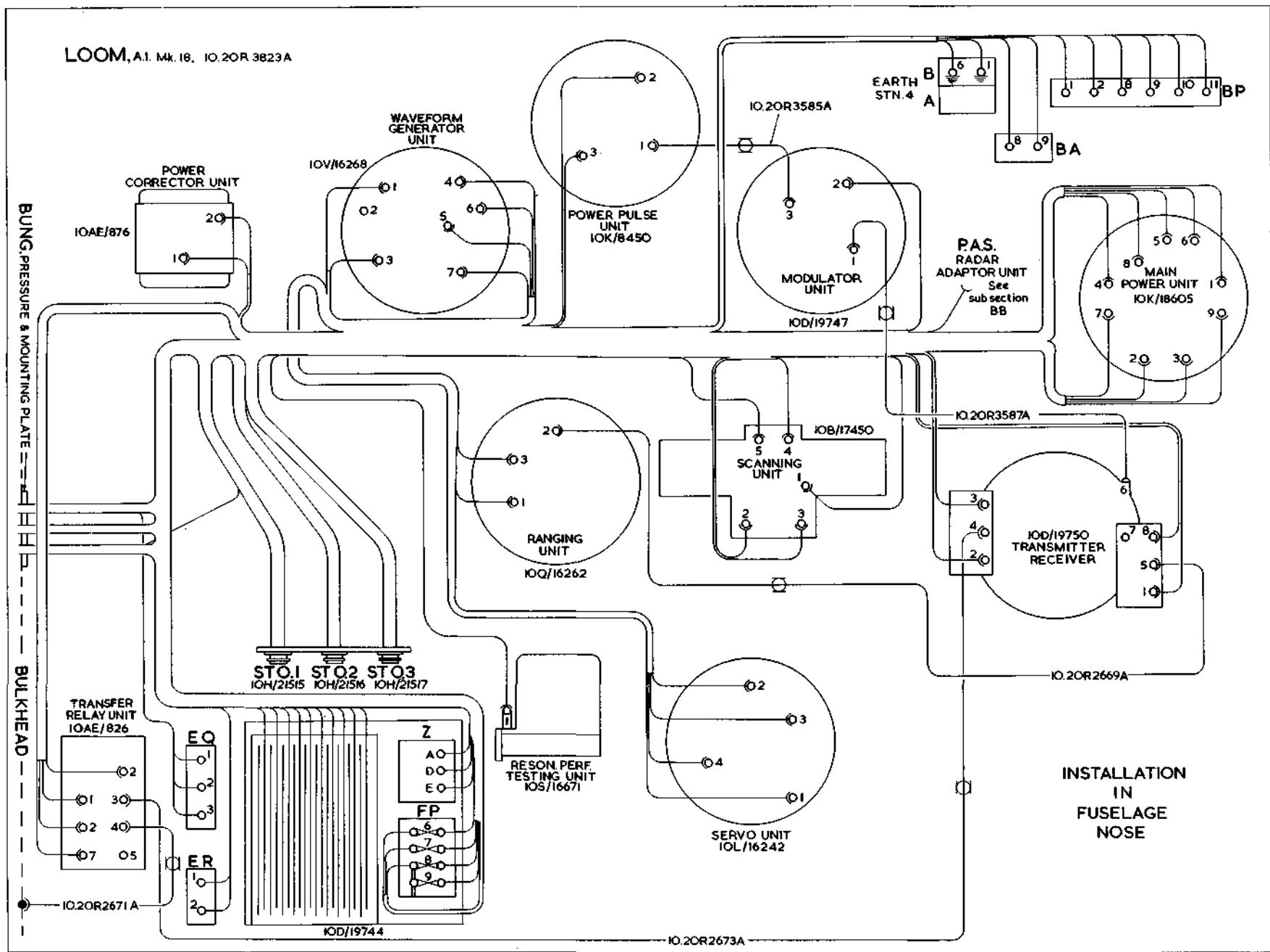
Ref. No.	Part No.	Description	No. off										Material Specification	Class of Store or L.M.	Place No.	
			1	2	3	4	5	6	7	8	9	10				
	—	UNIT , transmitter-receiver and carriage, group (Drg. No. 10-20 R 2643)											1	—	—	ND8
12016	10-20 R 2641A	CARRIAGE , assembly											2	—	P	ND8
12017	10-20 R 2639	CHANNEL , stiffening											1	—	C	ND8
7122	10-20 R 905	HUB , roller... ..											4	—	C	ND8
10AJ/150	—	MOUNTING , anti-vibration, Type 959 Attachments for Ref. No. 10AJ/150, Mounting :—											2	—	P	ND8
28D/9436920	A25/1C	Bolt, 2 BA											4	—	C	
28M/01328	AGS.2002/C/1	Nut, 2 BA											4	—	C	
	10-20 R 969	Plate, mounting, 18 SWG											2	L.73	LM	ND8
28W/9419402	SP.13/C	Washer											4	—	C	
	10-20 R 903	ROLLER											4	L.64	LM	ND8
		Attachments for 10-20 R 903, Roller :—														
4186	A25/2C/DHS.514/D	Bolt, 2 BA											1	—	C	
28W/9419454	SP.10/C	Washer											1	—	C	
	10-20 R 897	SHOE , aft roller											1	DTD.298	—	ND8
	10-20 R 899	SHOE , forward roller											1	DTD.298	—	ND8
		Attachments for 10-20 R 897 or 10-20 R 899, Shoe :—														
28D/1212830	AS.1242/13E	Bolt, 1/2" BSF											1	—	C	
28M/1007403	A27/ET	Nut, 1/2" BSF											1	—	C	
28W/9418920	SP.10/E	Washer											1	—	C	
		Attachments for 10-20 R 2641A, Carriage :—														
28DU/9414339	A102/1E	Bolt, 1/2" UNF (A) (Lock to DHS.514/D)											8	—	C	
28W/9419487	SP.16/E	Washer											8	—	C	
	10-20 R 3383	LEAD , flexible, bonding, assembly... ..											1	—	LM	ND9
5K/1489	PLESSEY 16/4"-0048	BRAID , flexible, tinned copper											QR	—	C	ND9
	PLESSEY															
5X/7331	2CZ.109945	INSERT , socket											1	—	C	ND9
5X/3146	—	SLEEVE , adapter											1	—	C	ND9
5X/9400385	—	TERMINATION , lug											1	—	C	ND9
10D/19750	—	TRANSMITTER-RECEIVER , Type 4636											1	—	P	ND1
16234	10-20 R 3823A	LOOM , A.I. Mk. 18, assembly (Mod. 758)											1	—	P	ND1
															ECC	ND2
	10-20 R 3679A	BEAM , STO. 1, 2 and 3 and distribution box, assembly (For spares use 10-20 R 9249A/ND) (Mod. 697)											1	—	—	ND9
17700	10-20 R 9249A/ND	BEAM , STO. 1, 2 and 3 and distribution box, assembly (Spares condition) (Mod. 697)											1	—	P	
15931	10-20 R 3623A	BEAM , socket retaining (Mod. 697)											1	—	P	ND9
15930	10-20 R 3735	BLOCK , packing, between socket beam and distribution box (Mod. 697)											1	—	C	ND9
		Attachments for 10-20 R 3735, Block :—														
28D/1204937	AS.1242/6C	Bolt, 2 BA											2	—	C	
10D/19744	—	BOX , distribution, Type 4696											1	—	P	ND1
		Attachments for Ref. No. 10D/19744, Box :—														
28D/7002428	A25/6C	Bolt, 2 BA											3	—	C	
	AS.2808/5/062	Tube, distance, 3/8" o/d x 17 SWG x 0"-62 long											1	T.35 or 45	LM	ND9

**RADIO AND RADAR INSTALLATIONS
INSTALLATION OF RADAR A.I. MK. 18
(A.R.I.5884)**

Ref. No.	Part No.	Description	No. off	Material Specification	Class of Store or L.M.	Place No.			
							1	2	3
	10-29 R 3679A/CABLES	CABLES , link	QR	—	ECC				
	10-20 R 3327	PLATE , distribution box attachment, 16 SWG	1	L.72	—	ND9			
28S/1200053	A33/C16	Attachments for 10-20 R 3327, Plate :— Screw, 2 BA	3	—	C				
10H/21515	B.I.C.C. T.2147G.P.	SOCKET , test No. 1, coded "STO.1" blue (Mod. 696)	1	—	P	ND1			
10H/21516	B.I.C.C. T.2148G.P.	SOCKET , test No. 2, coded "STO.2" green (Mod. 696)	1	—	P	ND1			
10H/21517	B.I.C.C. T.2149G.P.	SOCKET , test No. 3,, coded "STO.3" grey (Mod. 696)	1	—	P	ND1			
		Attachments for Ref. No. 10H/21515, 10H/21516 or 10H/21517, Socket :—							
28M/10288	AGS.2001/C/1	Nut, 2 BA	8	—	C				
28S/9992533	A32/C20	Screw, 2 BA	8	—	C				
	10-20 R 2461A	PLATE , pressure bung mounting, assembly ...	1	—	—	ND8			
	OR	(Pre Mod. 10/18351)							
16935	10-20 R 3893A	PLATE , pressure bung mounting, assembly ...	1	—	P				
		(Mod. 10/18351)							
	10-20 R 987	HOUSING , pressure bung (Make from Ref. No. 5X/6723)	1	—	LM	ND8			
5X/6723	HELLERMANN 4400/K	HOUSING , pressure bung (Required to make 10-20 R 987, Housing)	1	—	C				
	10-20 R 2465	HOUSING , pressure bung (Make from Ref. No. 5X/6866)	1	—	LM	ND8			
	10-20 R 2467	HOUSING , pressure bung (Make from Ref. No. 5X/6866)	1	—	LM	ND8			
5X/6866	HELLERMANN 4652/C	HOUSING , pressure bung (Required to make 10-20 R 2465 or 10-20 R 2467, Housing)	2	—	C				
	10-20 R 2473ND	PLATE , mounting, bare, 18 SWG (For spares use 10-20 R 3593ND) (Pre Mod. 10/18351)	1	L.72	—	ND8			
14575	10-20 R 3593ND	PLATE , mounting, bare, 18 SWG (Spares condition)	1	L.72	C				
	10-20 R 3891ND	PLATE , mounting, bare, 18 SWG (For spares use 10-20 R 4017ND) (Mod. 10/18351)	1	L.72	—	ND8			
17207	10-20 R 4017ND	PLATE , mounting, bare, 18 SWG (Spares condition)	1	L.72	C				
32C/600	—	SECTION , rubber channel, 1/8" dia. x ".06 slot x 12"0 long	QR	Rubber	C				
		Attachments for 10-20 R 3823A Loom, at beam :—							
28D/9138768	A25/1C	Bolt, 2 BA	3	—	C				
	3411	A25/1C/DHS.514/D	1	—	C				
28M/9403520	A27/CP	Nut, 2 BA	3	—	C				
28W/9419402	SP.13/C	Washer	4	—	C				
		at pressure bung plate :—							
28D/9133012	A25/3C	Bolt, 2 BA	8	—	C				
	8908	10-20 FS 8075	1	Rubber	C	ND8			
28W/9419402	SP.13/C	Gasket, sealing (Attach with Bostik 1410) ...	8	—	C				
		Washer							
5F/2279	—	STRAP , cable securing, 5/8" wide	QR	P.V.C.	C				
5F/2281	—	STRAP , cable securing 1" wide	QR	P.V.C.	C				
5F/2307	—	STUD , for 1/8" cable strap	QR	Nylon	C				
5F/2302	—	STUD , for 3/8" cable strap	QR	Nylon	C				
32B/—	—	TAPE , identification, numbers and letters, use from Ref. Nos. 32B/1087 to 32B/1120 inclusive, as required	QR	—	C				

**RADIO AND RADAR INSTALLATIONS
INSTALLATION OF RADAR A.I. MK. 18
(A.R.I.5884)**

Ref. No.	Part No.	Description	No. off										Material Specification	Class of Store or L.M.	Plate No.	
			1	2	3	4	5	6	7	8	9	10				
		WAVEGUIDE , group (Drg. No. 10-20 R 2663) ...											1	—	—	ND12
5K/3397	AS.3360/C/3C	LEAD , bonding, flexible ...											1	—	C	
5K/3403	AS.3360/C/6C	LEAD , bonding, flexible ...											2	—	C	
10AS/2837	—	SUPPORT , waveguide ...											1	—	P	ND12
		Attachments for Ref. No. 10AS/2837, Support :—														
28D/9133013	A25/5C	Bolt, 2 BA ...											1	—	C	
10AC/2564	BLA.12281	Bolt, 8-32 UNC ...											1	—	—	ND12
28M/10288	AGS.2001/C/1	Nut, 2 BA ...											1	—	C	
Z839055	—	Nut, 8-32 UNC ...											1	—	—	ND12
28W/9419402	SP.13/C	Washer (Also use as necessary as spacers between support and bracket)											1	—	C	
		WAVEGUIDE , Type 593, group ...											2	—	—	
10AC/2559	BLA.12294	BOLT , 8-32 UNC ...											8	—	—	ND12
10AC/3905	—	SEAL , "O" (WG15) ...											3	—	C	ND12
5310-99-943-6078	BKA.501035	WASHER , crinkle ...											8	—	—	ND12
10B/17792	—	WAVEGUIDE , Type 593, flexible ...											1	—	P	ND12
		WAVEGUIDE , Type 594, group ...											1	—	—	
10AC/2559	BLA.12294	BOLT , 8-32 UNC ...											4	—	—	ND12
10AC/3904	—	SEAL , "O" (WG16) ...											2	—	C	ND12
5310-99-943-6078	BKA.501035	WASHER , crinkle ...											4	—	—	ND12
10B/17793	—	WAVEGUIDE , Type 594, directional ...											1	—	P	ND12
		Attachments for Ref. No. 10B/17793, Waveguide :—														
28D/9133012	A25/3C	Bolt, 2 BA ...											4	—	C	
28M/10288	AGS.2001/C/1	Nut, 2 BA ...											4	—	C	
28W/9419475	SP.15/C	Washer ...											4	—	C	
5985-99-983-9009	—	WAVEGUIDE , Type 694, group ...											1	—	—	
		BOLT , 8-32 UNC (WG16) ...											4	—	C	ND12
Z839055	—	NUT , 8-32 UNC ...											4	—	C	ND12
10AC/3904	—	SEAL , "O" (WG16) ...											2	—	C	ND12
10B/18279	—	WAVEGUIDE , Type 694, flexible ...											1	—	P	ND12
		WAVEGUIDE , Type 695, group ...											1	—	—	
10AC/2673	—	RING ...											1	—	C	ND12
10AC/2563	BLA.11609	SEAL , "O" ...											1	—	—	ND12
10B/18280	—	WAVEGUIDE , Type 695 ...											1	—	P	ND12
10B/18282	—	WAVEGUIDE , Type 697 ...											1	—	P	ND12
		WAVEGUIDE , Type 698, group ...											1	—	—	
5985-99-983-9010	—	BOLT , 8-32 UNC ...											8	—	C	ND12
Z839055	—	NUT , 8-32 UNC ...											8	—	C	ND12
10AC/3905	—	SEAL , "O" (WG15) ...											4	—	C	ND12
10B/18283	—	WAVEGUIDE , Type 698 ...											1	—	P	ND12
		WAVEGUIDE , Type 699, group ...											1	—	—	
10AC/2673	—	RING ...											1	—	C	ND12
10AC/2566	BLA.12134	SEAL , "O" ...											1	—	—	ND12
10B/18284	—	WAVEGUIDE , Type 699 ...											1	—	P	ND12



LOOM, A.1. Mk. 18, IO.20R 3823A

BUNG. PRESSURE & MOUNTING PLATE

BULKHEAD

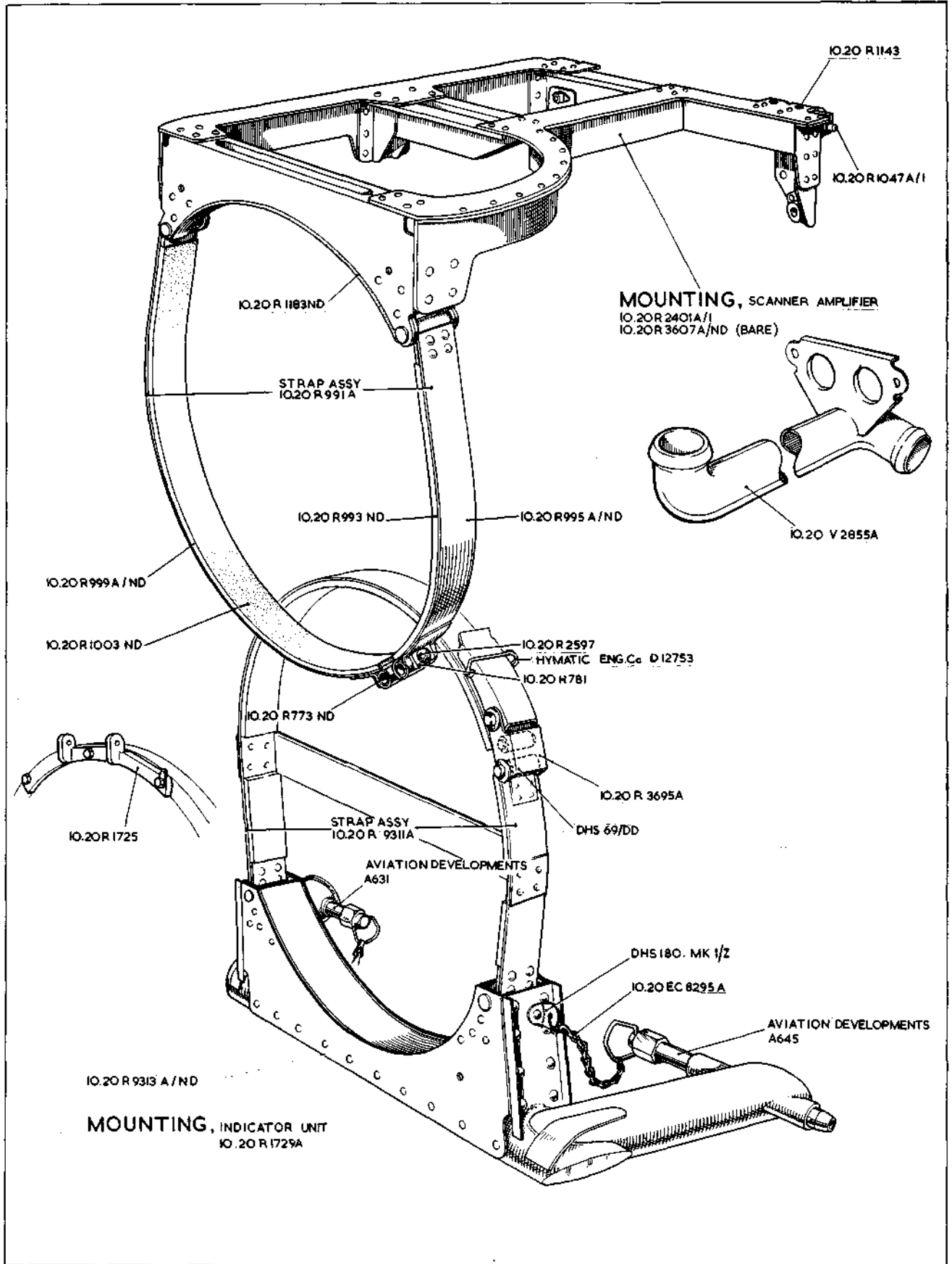
INSTALLATION
IN
FUSELAGE
NOSE

ND.1

RADIO & RADAR RADAR A1 MK. 18 A. R. I. 5884

ND.1
[AL. 46]

RESTRICTED



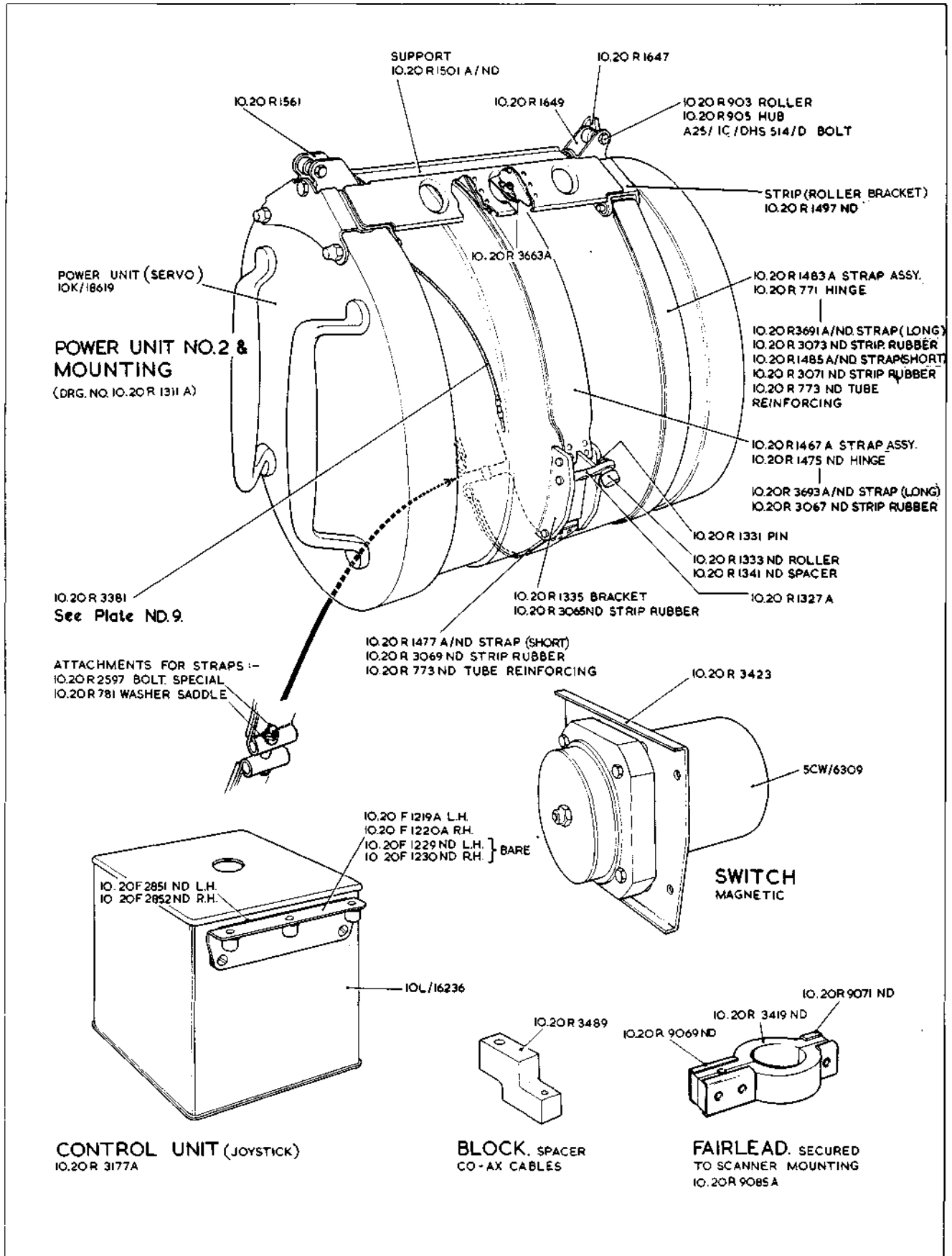
ND.3

RADIO & RADAR

ND.3

RADAR, A.I. MK.18

[AL 57]

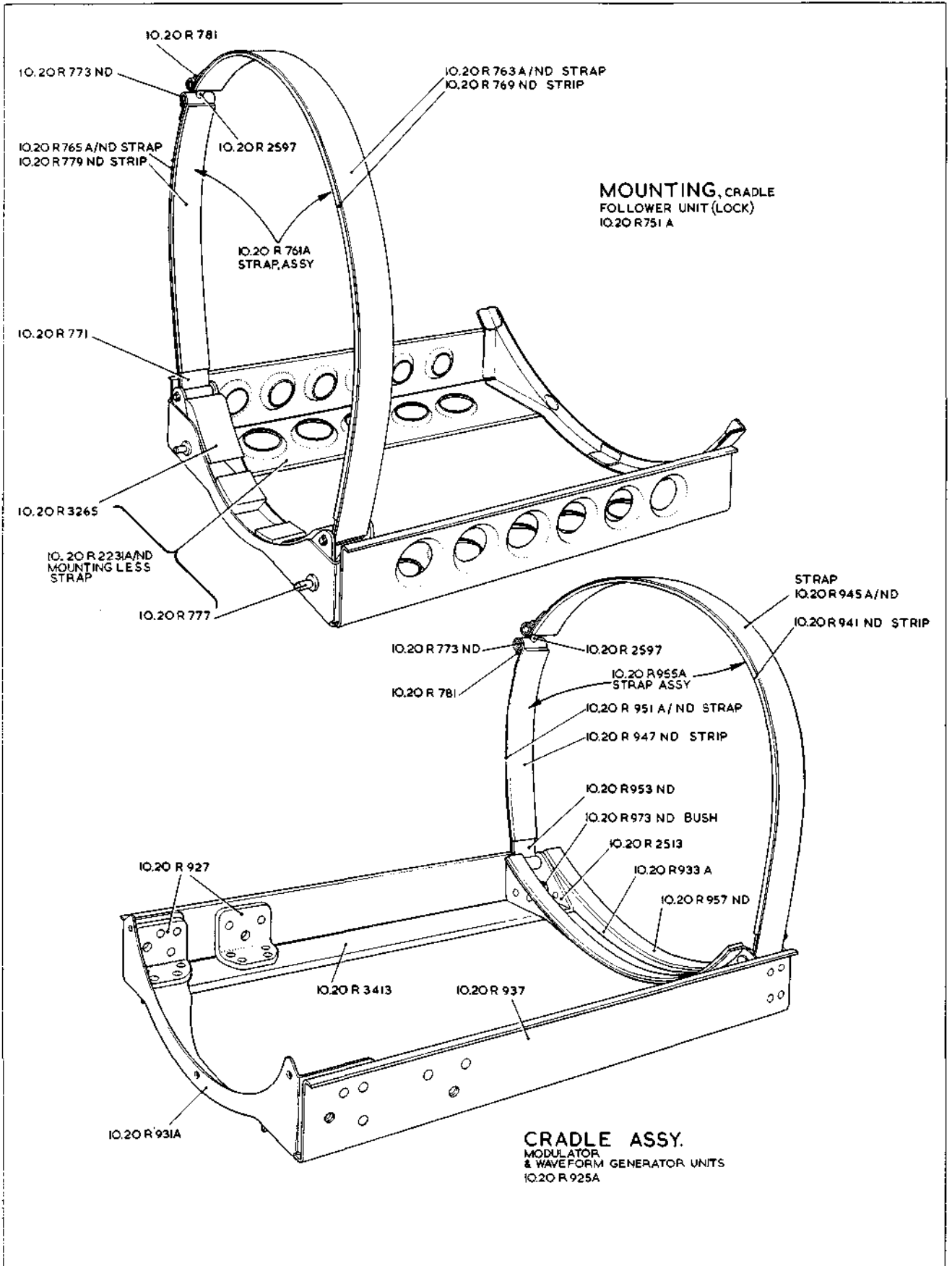


ND.4

RADIO & RADAR

ND.4
[A.L. 48]

RADAR, A.I. MK.18 A.R.I. 5884



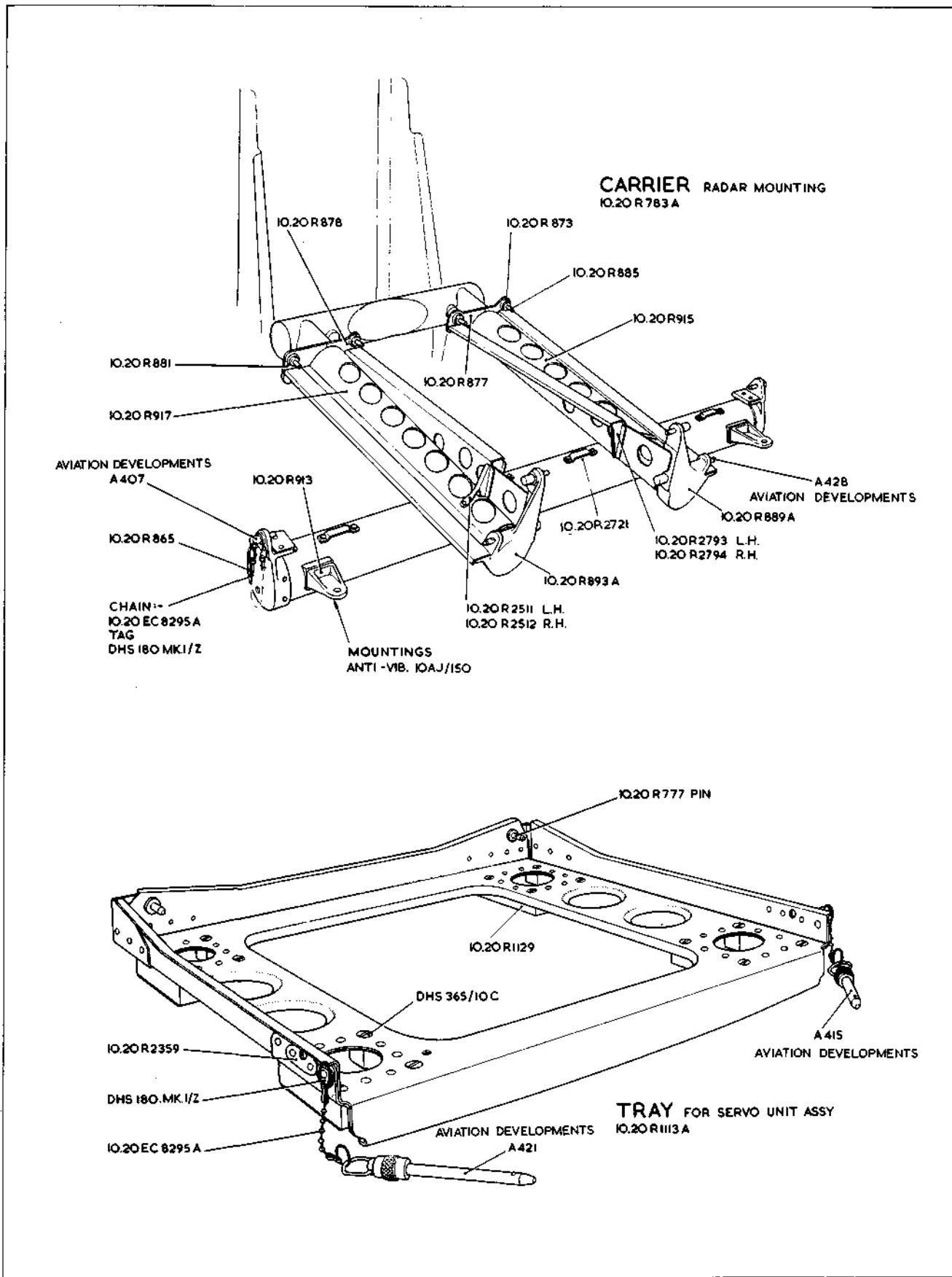
ND.5

RADIO & RADAR

ND.5

RADAR.A.I. MK18 (A.R.I. 5884)

[A.L. 46]



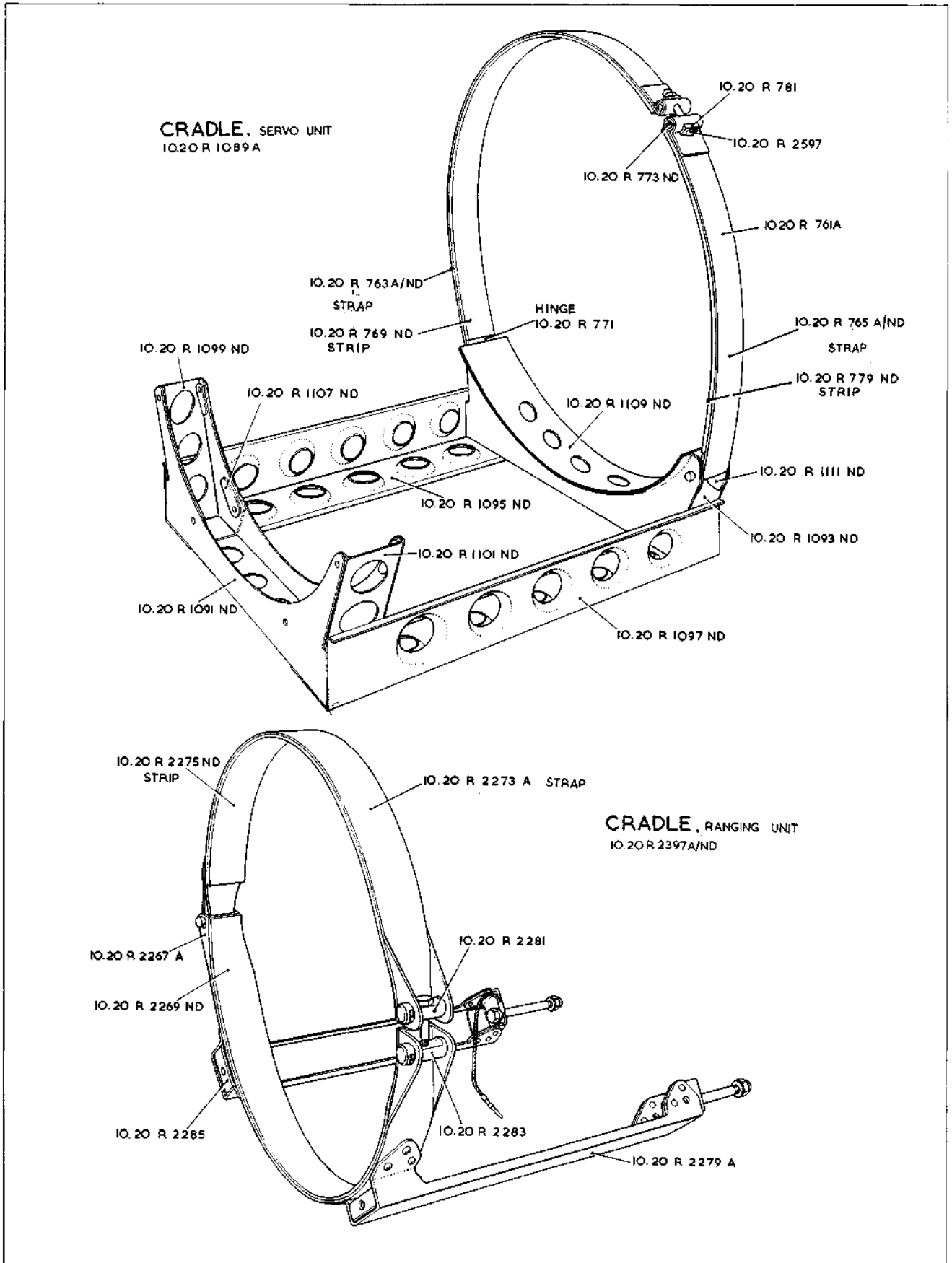
ND.6

RADIO & RADAR

ND.6

RADAR, A.I. MK.18.(A.R.I. 5884)

[AL.46]

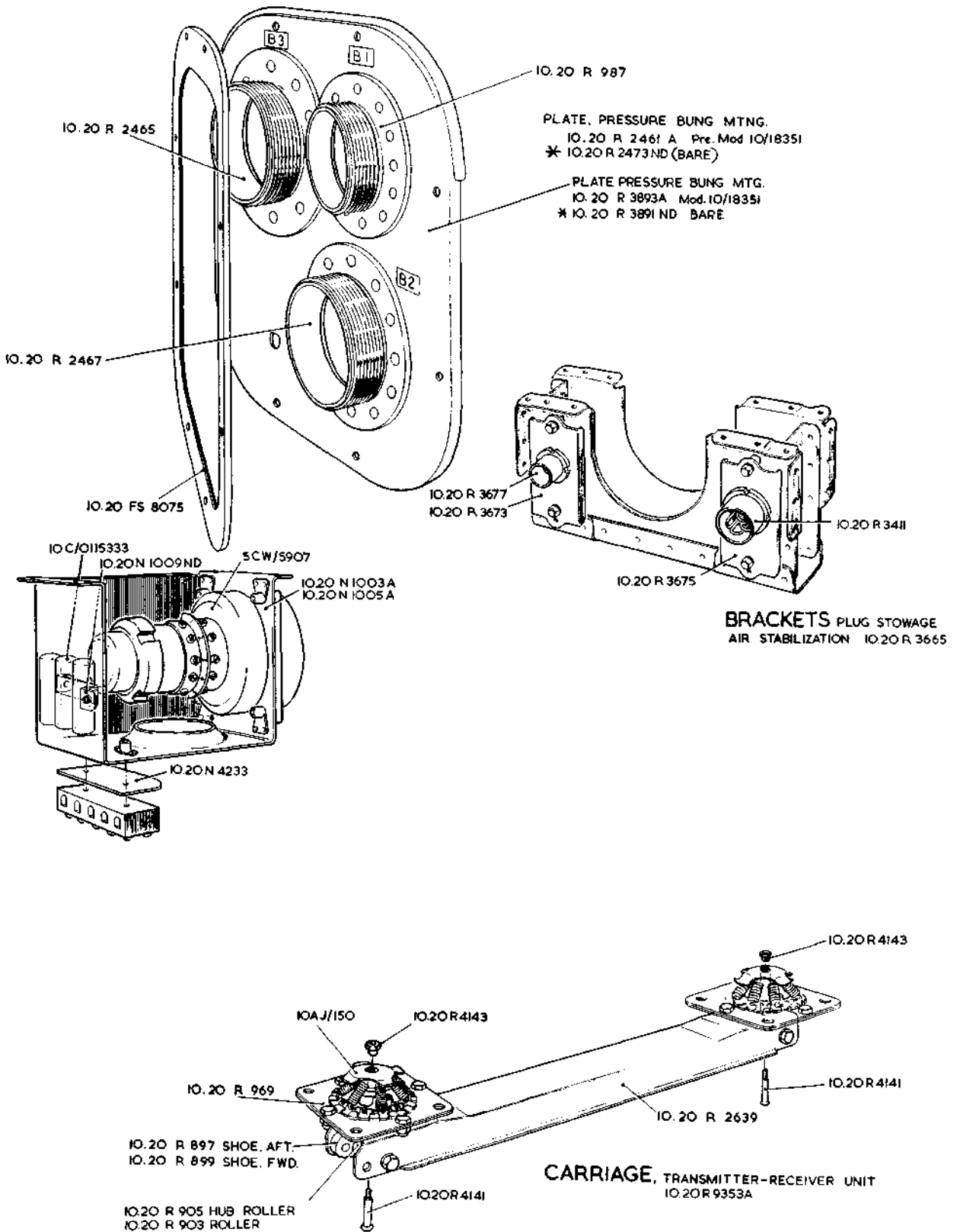


ND.7

RADIO & RADAR
RADAR, A.I. MK. 18. (A.R.I. 5884)

ND.7
[AL46]

SEE TEXT FOR SPARES CONDITION OF ITEMS MARKED THUS :- *



ND.8

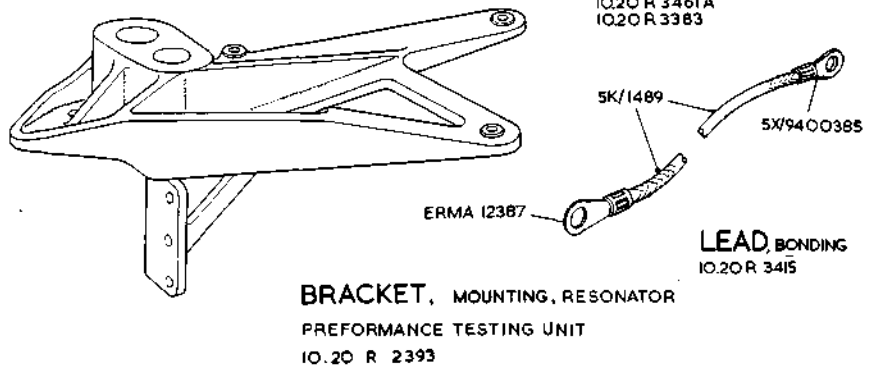
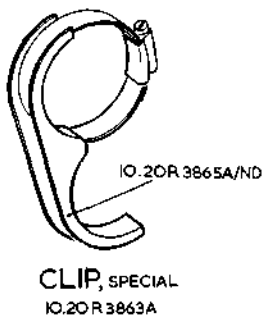
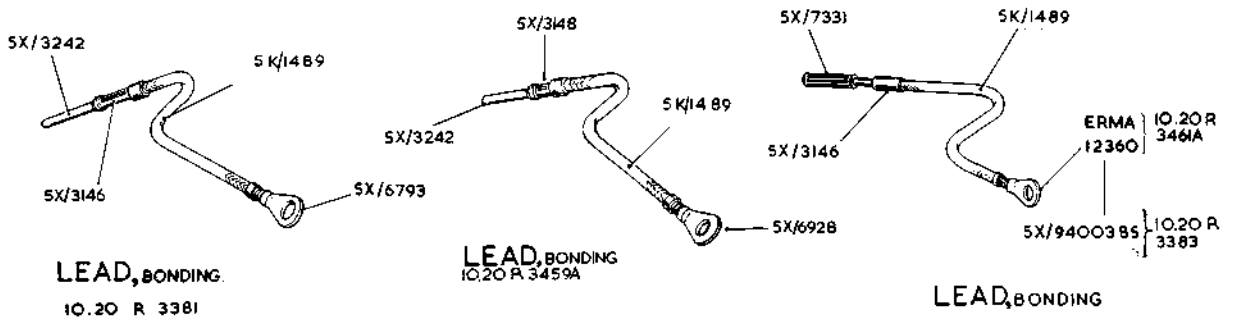
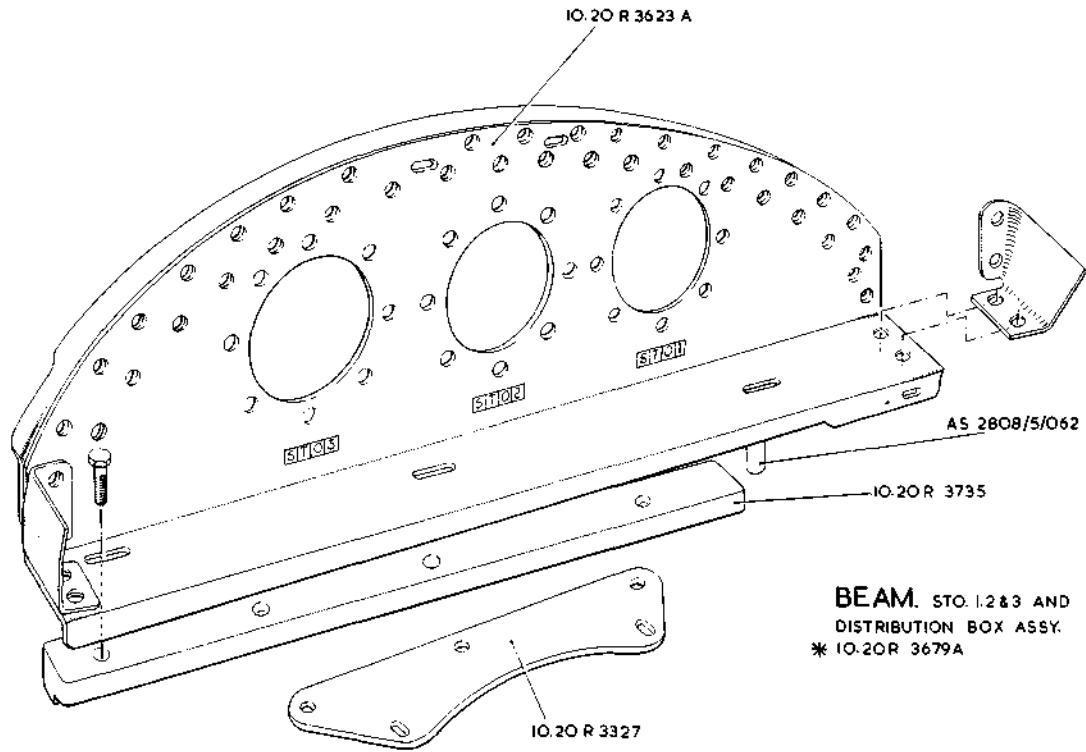
RADIO & RADAR

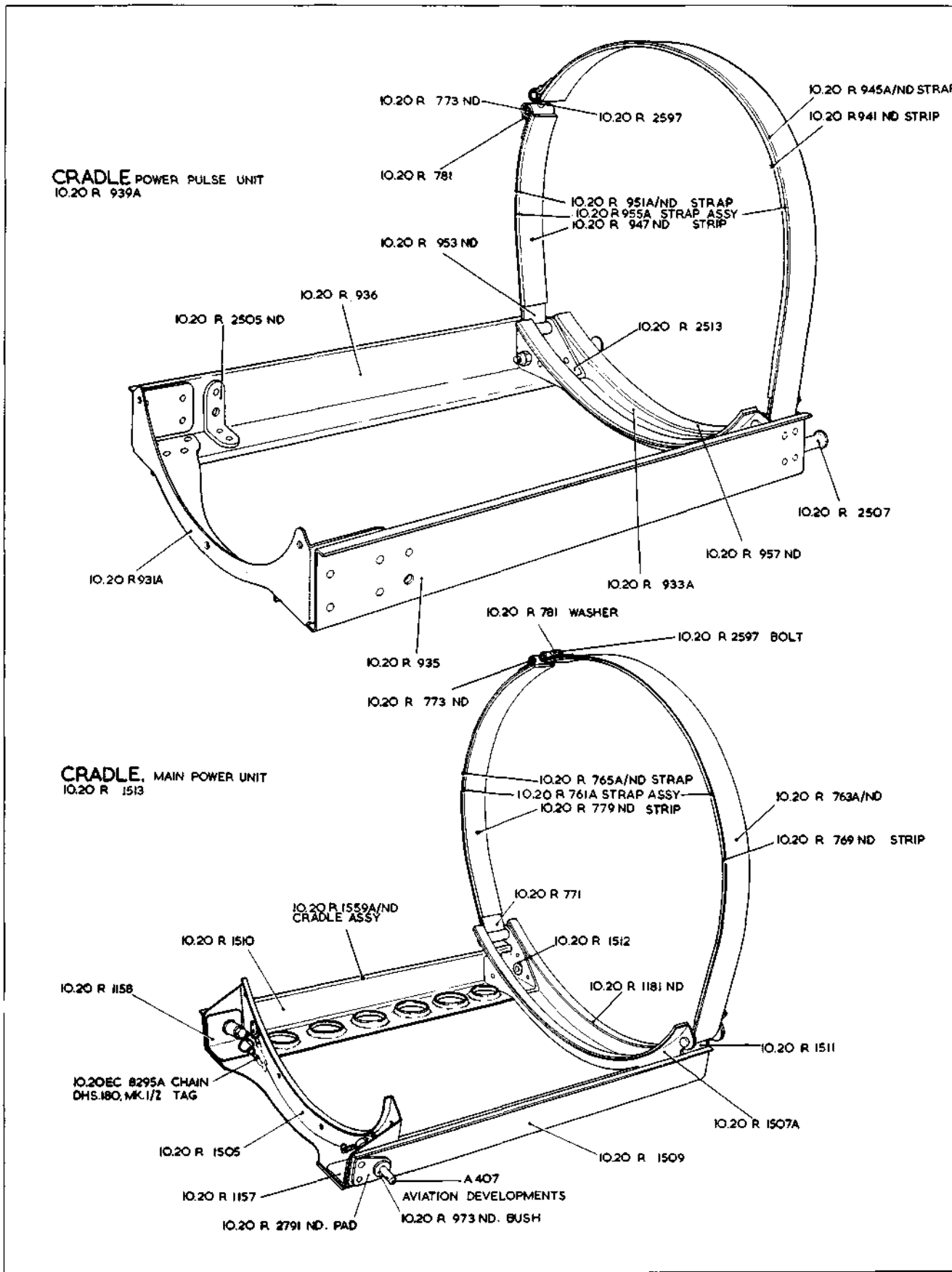
ND.8

RADAR, A.I. MK.18
A.R.15884

[A.L.59]

SEE TEXT FOR SPARES CONDITION OF ITEMS MARKED THUS: *





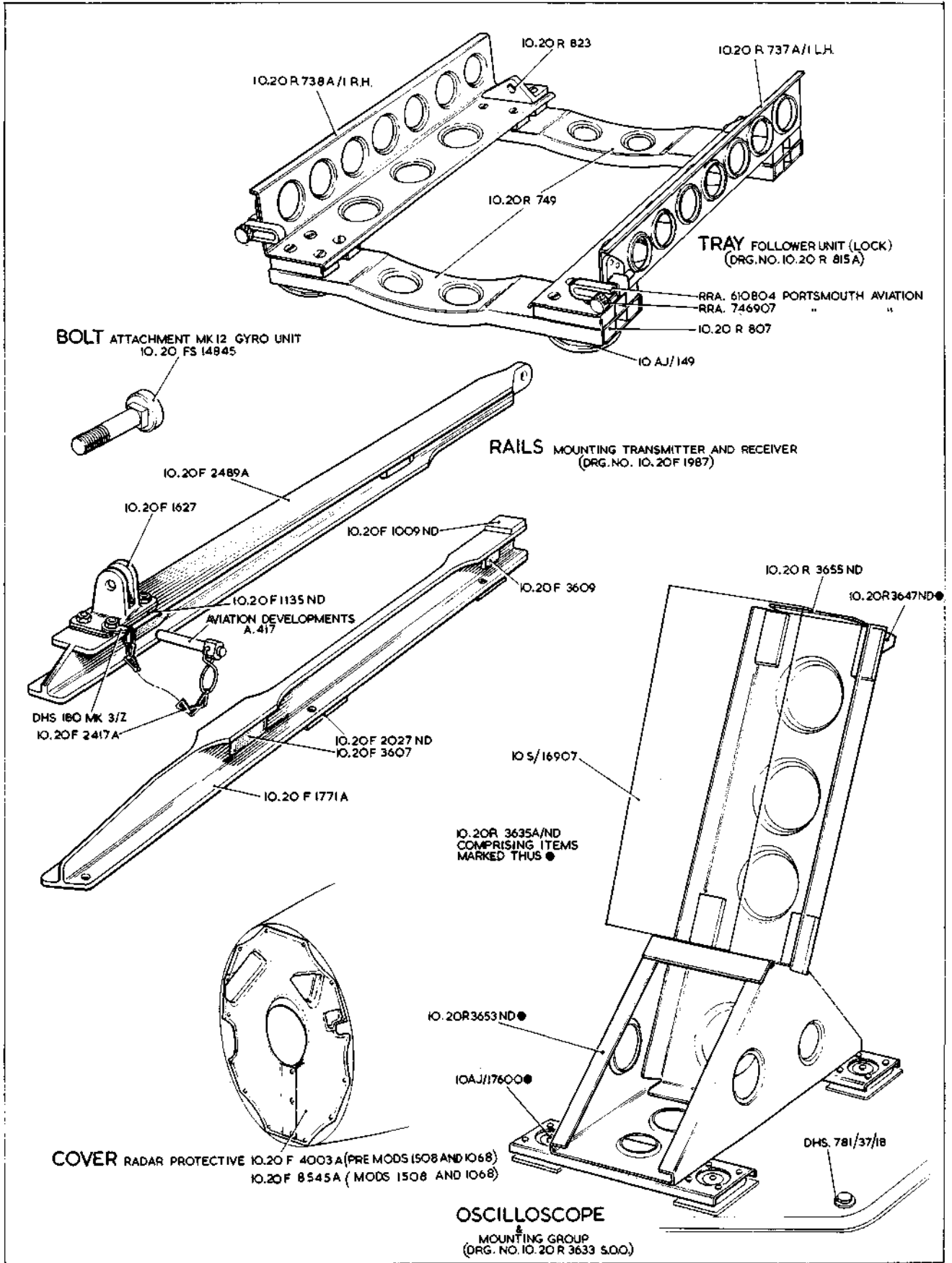
ND.10

RADIO & RADAR

ND.10

RADAR, A.I. MK.18 (A.R.I. 5884)

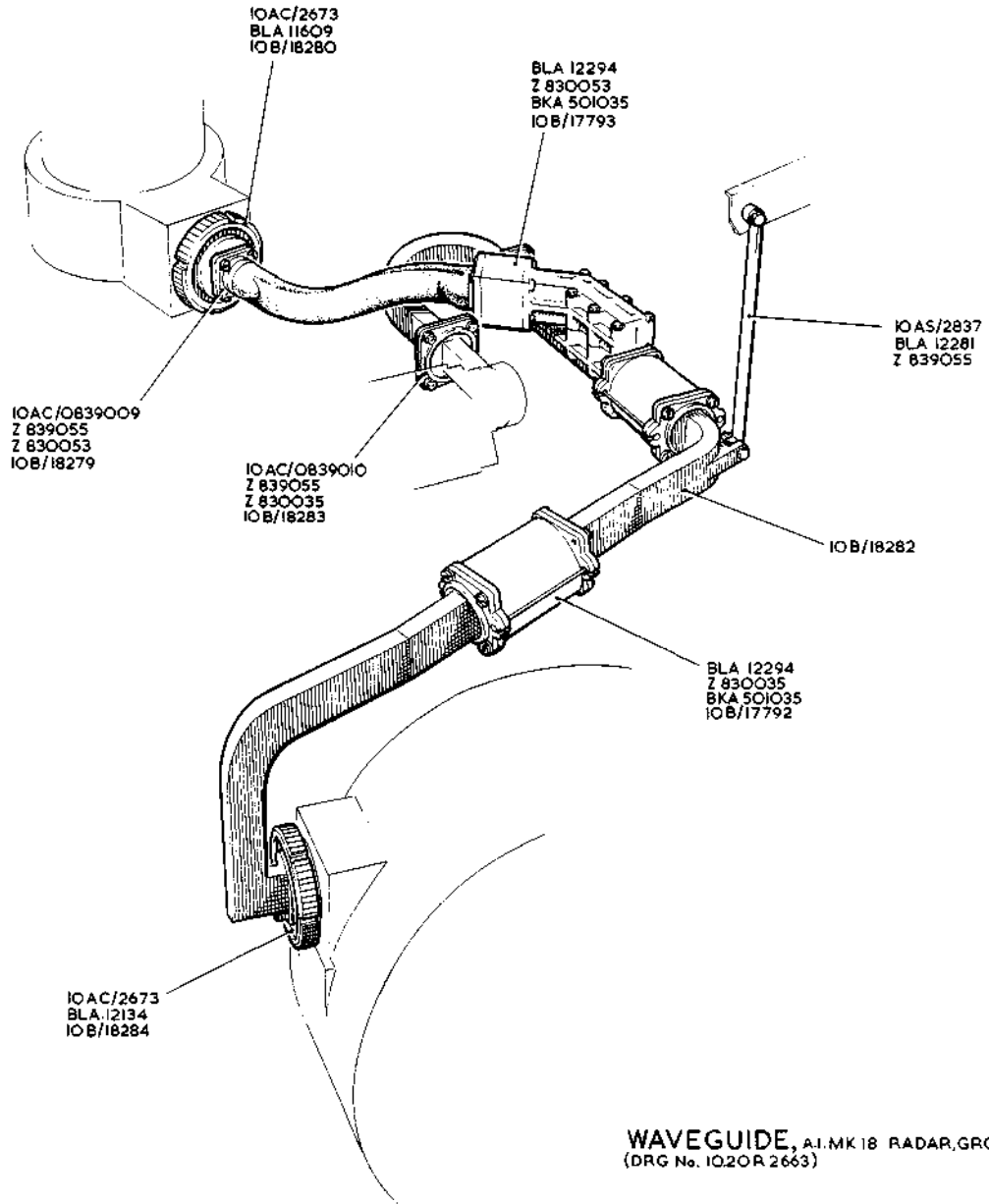
[A.L.46]



ND 11

RADIO & RADAR RADAR A.I. MK 18 (A.R.I. 5884)

ND 11
[AL.67]



ND 12

RADIO & RADAR
RADAR A.I. MK.18
(A.R.I. 5884)

ND 12

[AL.46]

This file was downloaded
from the RTFM Library.

Link: www.scottbouch.com/rtfm

Please see site for usage terms,
and more aircraft documents.

