

TAIL UNIT
TAIL UNIT ARRANGEMENT

Ref. No.	Part No.	Description	No. off	Material Specification	Class of Store or L.M	Plate No.
	—	TAIL UNIT ARRANGEMENT (Drg. No. 10-20 T 7)	1	—	—	RA1
	—	ELEVATOR (See sub-section RB)	—	—	—	—
	—	FAIRING , tailplane, complete with seals, group ... (Drg. Nos. 10-20 TP 1189 and 10-20 TP 1213)	1	—	—	—
80	S10-20 TP 4	FAIRING , tailplane, forward, bottom L.H. (Special spares assembly complete with attachments)	1	—	P	RA1
81	S10-20 TP 5	FAIRING , tailplane, forward, bottom R.H. (Special spares assembly complete with attachments)	1	—	P	RA1
	10-20 TP 1097A	FAIRING , tailplane, forward, bottom L.H.	1	—	—	RA1
	10-20 TP 1098A	FAIRING , tailplane, forward, bottom R.H.	1	—	—	RA1
	10-20 TP 1105ND	ANGLE , for seal, L.H., 22 SWG	1	L.72	LM	RA1
	10-20 TP 1106ND	ANGLE , for seal, R.H., 22 SWG	1	L.72	LM	RA1
	10-20 TP 1107ND	ANGLE , reinforcing, L.H., 20 SWG	1	L.72	LM	RA1
	10-20 TP 1108ND	ANGLE , reinforcing, R.H., 20 SWG	1	L.72	LM	RA1
	10-20 TP 1111ND	DIAPHRAGM , forward L.H., 20 SWG	1	L.72	LM	RA1
	10-20 TP 1112ND	DIAPHRAGM , forward R.H., 20 SWG	1	L.72	LM	RA1
	10-20 TP 1109ND	DIAPHRAGM , rear L.H., 20 SWG	1	L.72	LM	RA1
	10-20 TP 1110ND	DIAPHRAGM , rear R.H., 20 SWG	1	L.72	LM	RA1
19358	10-20 TP 1539	FAIRING , nose, L.H. (Mod. 1242)	1	L.122	C	RA1
19359	10-20 TP 1540	FAIRING , nose, R.H. (Mod. 1242)	1	L.122	C	RA1
	10-20 TP 1101ND	MEMBER , side, L.H., 20 SWG	1	L.72	LM	RA1
	10-20 TP 1102ND	MEMBER , side, R.H., 20 SWG	1	L.72	LM	RA1
28M/9993192	AGS.2009/C/1	NUT , 2 BA, anchor	3	—	C	—
	10-20 TP 1103ND	PLATE , top, L.H., 20 SWG	1	L.72	LM	RA1
	10-20 TP 1104ND	PLATE , top, R.H., 20 SWG	1	L.72	LM	RA1
	10-20 TP 1113ND	SEAL , felt, 3/4" wide x 1/4" thick, R.S.4	1	DTD.590	LM	RA1
		Attachments for 10-20 TP 1113ND, Seal :—				
28D/8338	AS.1248/3B	Bolt, 4 BA	7	—	C	—
28M/10327	AGS.2002/B/1	Nut, 4 BA	7	—	C	—
	10-20 TP 1099ND	SKIN , LH., 20 SWG	1	L.72	LM	RA1
	10-20 TP 1100ND	SKIN , R.H., 20 SWG	1	L.72	LM	RA1
		Attachments for 10-20 TP 1097A or 10-20 TP 1098A, Fairing :—				
28D/9133011	A25/2C	Bolt, 2 BA	2	—	C	—
28D/16574	AS.1244/6E	Bolt, 1/2" BSF	1	—	C	—
78	S10-20 TP 2	FAIRING , tailplane, top, L.H. (Special spares assembly complete with attachments)	1	—	P	RA1
79	S10-20 TP 3	FAIRING , tailplane, top, R.H. (Special spares assembly complete with attachments)	1	—	P	RA1
	—	ELECTRICAL COMPONENTS (See sub-sections EBM and EBP)	—	—	—	—
	10-20 TP 1131A	FAIRING , tailplane, top, L.H.	1	—	—	RA1
	10-20 TP 1132A	FAIRING , tailplane, top, R.H.	1	—	—	RA1
	10-20 TP 1191ND	ANGLE , seal, L.H., 22 SWG	1	L.72	LM	RA1
	10-20 TP 1192ND	ANGLE , seal, R.H., 22 SWG	1	L.72	LM	RA1
	10-20 TP 1155ND	ANGLE , side, L.H., 18 SWG	1	L.72	LM	RA1
	10-20 TP 1156ND	ANGLE , side, R.H., 18 SWG	1	L.72	LM	RA1
	10-20 TP 1143ND	DIAPHRAGM , L.H., 20 SWG	1	L.72	LM	RA2
	10-20 TP 1144ND	DIAPHRAGM , R.H., 20 SWG	1	L.72	LM	RA2
	10-20 TP 1145ND	DIAPHRAGM , L.H., 20 SWG	1	L.72	LM	RA2

**TAIL UNIT
TAIL UNIT ARRANGEMENT**

Ref. No.	Part No.	Description	No. off	Material Specification	Class of Store of L.M.	Plate No.
	10-20 TP 1146ND	DIAPHRAGM, R.H., 20 SWG	1	L.72	LM	RA2
	10-20 TP 1147ND	DIAPHRAGM, L.H., 20 SWG	1	L.72	LM	RA2
	10-20 TP 1148ND	DIAPHRAGM, R.H., 20 SWG	1	L.72	LM	RA2
	10-20 TP 1149ND	DIAPHRAGM, L.H., 20 SWG	1	L.72	LM	RA1
	10-20 TP 1150ND	DIAPHRAGM, R.H., 20 SWG	1	L.72	LM	RA1 RA2
	10-20 TP 1151ND	DIAPHRAGM, L.H., 20 SWG	1	L.72	LM	RA2
	10-20 TP 1152ND	DIAPHRAGM, R.H., 20 SWG	1	L.72	LM	RA2
	10-20 TP 1161A/ND	DIAPHRAGM, rear, L.H., assembly ...	1	—	—	RA1 RA2
	10-20 TP 1162A/ND	DIAPHRAGM, rear, R.H., assembly ...	1	—	—	RA1 RA2
	10-20 TP 1317A	DOOR, tailplane fairing, L.H., assembly	1	—	—	RA1 RA2
	10-20 TP 585A	DOOR, tailplane fairing, R.H., assembly	1	—	—	RA1 RA2
28FP/146	DXUS A4/25	FASTENER, domed head	3	—	C	RA2
	10-20 TP 1171ND	HINGE (Make from Ref. No. 28N/10786	1	—	LM	RA2
	10-20 TP 1319ND	PLATE, door, bare, L.H., 18 SWG	1	L.72	LM	RA2
	10-20 TP 587ND	PLATE, door, bare, R.H., 18 SWG	1	L.72	LM	RA2
	10-20 TP 1173ND	PLATE, packing, 18 SWG	1	L.72	LM	RA2
	10-20 TP 1307ND	PLATE, packing, 18 SWG	1	L.72	LM	RA2
		Attachments for 10-20 TP 1317A or 10-20 TP 585A, Door :—				
28D/8300	AS.1242/1B	Bolt, 4 BA	7	—	C	
28M/9403519	A27/BP	Nut, 4 BA	7	—	C	
28W/9419474	SP.15/B	Washer	7	—	C	
	10-20 TP 1163ND	PLATE, diaphragm, L.H., 18 SWG ...	1	L.72	LM	RA2
	10-20 TP 1164ND	PLATE, diaphragm, R.H., 18 SWG ...	1	L.72	LM	RA2
	10-20 TP 1343ND	PLATE, reinforcing, L.H., 18 SWG ...	1	L.72	LM	RA2
	10-20 TP 1344ND	PLATE, reinforcing, R.H., 18 SWG ...	1	L.72	LM	RA2
19360	10-20 TP 1537	FAIRING, nose, L.H. (Mod. 1242) ...	1	L.122	C	RA1
19361	10-20 TP 1538	FAIRING, nose, R.H. (Mod. 1242) ...	1	L.122	C	RA1
	10-20 TP 1135ND	MEMBER, bottom, side, L.H., 20 SWG ...	1	L.72	LM	RA1
	10-20 TP 1136ND	MEMBER, bottom, side, R.H., 20 SWG ...	1	L.72	LM	RA1
	10-20 TP 1139ND	MEMBER, reinforcing, L.H., 20 SWG ...	1	L.72	LM	RA2
	10-20 TP 1140ND	MEMBER, reinforcing, R.H., 20 SWG ...	1	L.72	LM	RA2
	10-20 TP 1133ND	MEMBER, top, side, L.H., 18 SWG ...	1	L.72	LM	RA1
	10-20 TP 1134ND	MEMBER, top, side, R.H., 18 SWG ...	1	L.72	LM	RA1
28M/9993192	AGS.2009/C/1	NUT, 2 BA	5	—	C	
	10-20 TP 1137ND	PLATE, bottom, L.H., 20 SWG	1	L.72	LM	RA1 RA2
	10-20 TP 1138ND	PLATE, bottom, R.H., 20 SWG	1	L.72	LM	RA1 RA2
	10-20 TP 1177ND	SEAL, top, felt, 3/4" wide x 1/4" thick, R.S.4	1	DTD.590	LM	RA1
	10-20 TP 1179ND	SEAL, bottom, felt, 3/4" wide x 1/4" thick, R.S.4	1	DTD.590	LM	RA1
		Attachments for 10-20 TP 1179ND, Seal :—				
28D/1007468	AS.1242/3B	Bolt, 4 BA	10	—	C	
28M/10287	AGS.2001/B/1	Nut, 4 BA	10	—	C	

TAIL UNIT

TAIL UNIT ARRANGEMENT

Ref. No.	Part No.	Description	No. off	Material Specification	Class of Store or L.M.	Place No.
28FP/9430916	10-20 TP 1159ND	SKIN, bottom, L.H., 20 SWG ...	1	L.72	LM	RA1
	10-20 TP 1160ND	SKIN, bottom, R.H., 20 SWG ...	1	L.72	LM	RA1
	10-20 TP 1157ND	SKIN, top, L.H., 20 SWG ...	1	L.72	LM	RA1
	10-20 TP 1158ND	SKIN, top, R.H., 20 SWG ...	1	L.72	LM	RA1
	DZUS S4/200	SPRING ...	3	—	C	RA2
	10-20 TP 1153ND	STIFFENER, L.H., 20 SWG ...	1	L.72	LM	RA1
	10-20 TP 1154ND	STIFFENER, R.H., 20 SWG ...	1	L.72	LM	RA1
Attachments for 10-20 TP 1131A or 10-20 TP 1132A, Fairing :—						
28D/9133012	A25/3C	Bolt, 2 BA ...	2	—	C	
28D/15052	AS.1244/9E	Bolt, 1/2" BSF ...	1	—	C	
28W/9419402	SP.13/C	Washer ...	2	—	C	
1769	10-20 TP 1205A	LUG, attachment, top, for tailplane seal ...	2	—	C	RA2
1768	10-20 TP 1207A	LUG, attachment, bottom, for tailplane seal ...	2	—	C	RA2
Attachments for 10-20 TP 1205A or 10-20 TP 1207A, Lug :—						
3411	A25/1C/DHS.514/D	Bolt, 2 BA ...	2	—	C	
28W/9419402	SP.13/C	Washer ...	2	—	C	
82	S.10-20 TP 6	PANEL, detachable, bottom fairing, Port (Special spares assembly, complete with attachments)	1	—	P	RA1
83	S.10-20 TP 7	PANEL, detachable, bottom fairing, Starboard (Special spares assembly, complete with attachments)	1	—	P	RA1
	10-20 TP 1119A	PANEL, detachable, bottom fairing, L.H. ...	1	—	—	RA1
	10-20 TP 1120A	PANEL, detachable, bottom fairing, R.H. ...	1	—	—	RA1
	10-20 TP 1181ND	LUG, corner, forward, L.H., 18 SWG ...	1	L.72	LM	RA1
	10-20 TP 1182ND	LUG, corner, forward, R.H., 18 SWG ...	1	L.72	LM	RA1
	10-20 TP 1183ND	LUG, corner, aft, L.H., 18 SWG ...	1	L.72	LM	RA1
	10-20 TP 1184ND	LUG, corner, aft, R.H., 18 SWG ...	1	L.72	LM	RA1
	10-20 TP 1185ND	LUG, corner, forward, L.H., 18 SWG ...	1	L.72	LM	RA1
	10-20 TP 1186ND	LUG, corner, forward, R.H., 18 SWG ...	1	L.72	LM	RA1
	10-20 TP 1187ND	LUG, corner, aft, L.H., 18 SWG ...	1	L.72	LM	RA1
	10-20 TP 1188ND	LUG, corner, aft, R.H., 18 SWG ...	1	L.72	LM	RA1
	10-20 TP 1121ND	PANEL, skin, L.H., 20 SWG ...	1	L.72	LM	RA1
	10-20 TP 1122ND	PANEL, skin, R.H., 20 SWG ...	1	L.72	LM	RA1
	10-20 TP 1125ND	STIFFENER, aft, L.H., 18 SWG ...	1	L.72	LM	RA1
	10-20 TP 1126ND	STIFFENER, aft, R.H., 18 SWG ...	1	L.72	LM	RA1
	10-20 TP 1129ND	STIFFENER, bottom, L.H., 20 SWG ...	1	L.72	LM	RA1
	10-20 TP 1130ND	STIFFENER, bottom, R.H., 20 SWG ...	1	L.72	LM	RA1
	10-20 TP 1123ND	STIFFENER, forward, L.H., 18 SWG ...	1	L.72	LM	RA1
	10-20 TP 1124ND	STIFFENER, forward, R.H., 18 SWG ...	1	L.72	LM	RA1
	10-20 TP 1127ND	STIFFENER, top, L.H., 20 SWG ...	1	L.72	LM	RA1
	10-20 TP 1128ND	STIFFENER, top, R.H., 20 SWG ...	1	L.72	LM	RA1
Attachments for 10-20 TP 1119A or 10-20 TP 1120A, Panel :—						
28D/8307	AS.1242/2C	Bolt, 2 BA ...	8	—	C	
1776	10-20 TP 1229A/ND	SEAL, tailplane, bottom, Port, assembly ...	1	—	P	RA1
1779	10-20 TP 1230A/ND	SEAL, tailplane, bottom, Starboard, assembly	1	—	P	RA1
	10-20 TP 1233ND	PLATE, bottom, 18 SWG ...	1	L.72	LM	RA2
	10-20 TP 1235ND	PLATE, packing, 14 SWG ...	1	L.72	LM	RA2
1777	10-20 TP 1237ND	SEAL, L.H. ...	1	—	C	RA2
1780	10-20 TP 1238ND	SEAL, R.H. ...	1	—	C	RA2
1778	10-20 TP 117	SPRING, 22 SWG ...	3	DTD.271	C	RA2
7057	10-20 TP 1231ND	STRIP, attachment, for seal, L.H. ...	1	L.64	C	RA2
10343	10-20 TP 1232ND	STRIP, attachment, for seal, R.H. ...	1	L.64	C	RA2

TAIL UNIT
TAIL UNIT ARRANGEMENT

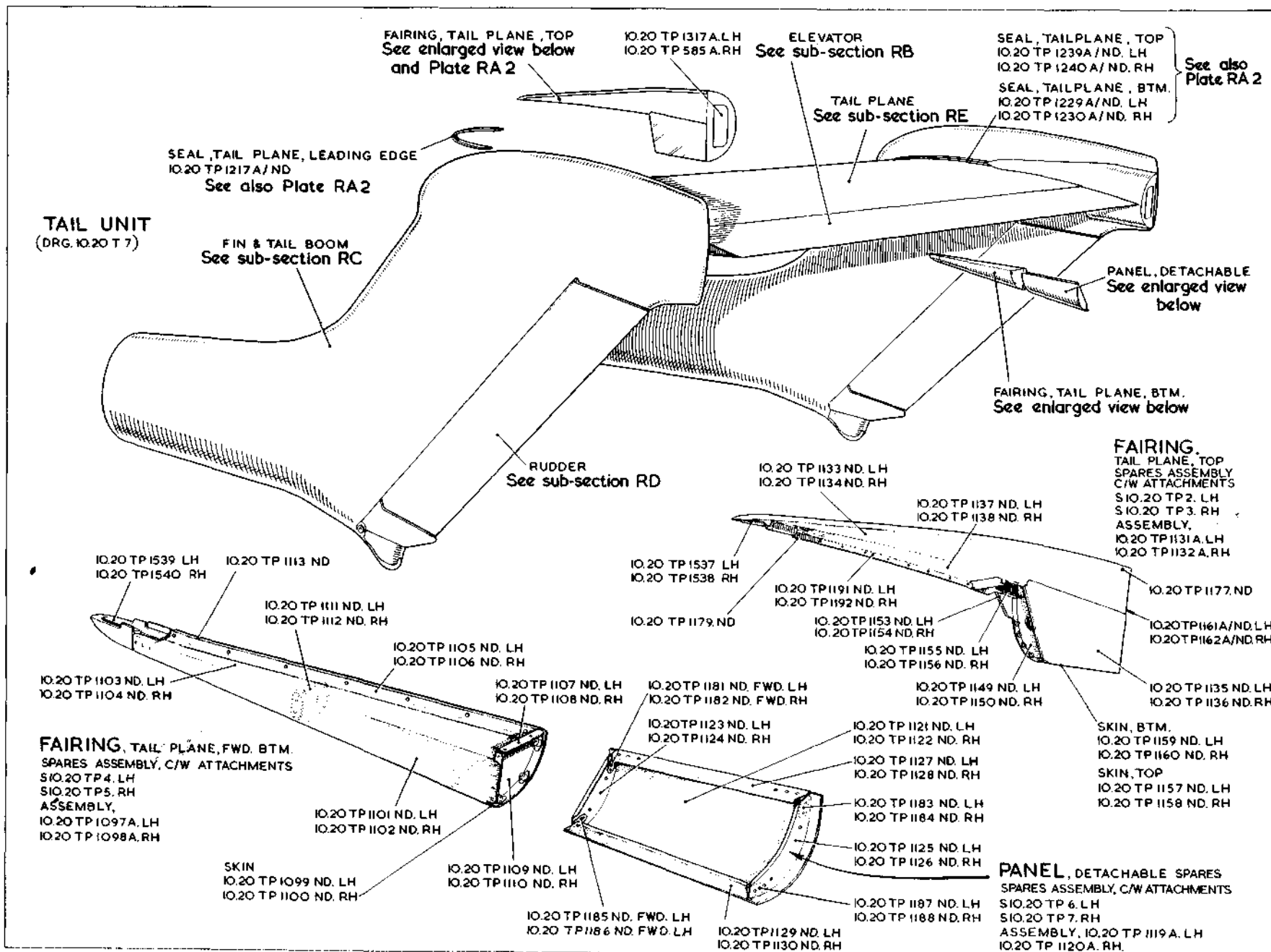
Ref. No.	Part No.	Description	No. off	Material Specification	Class of Store or L.M	Plate No.
		Attachments for 10-20 TP 1229A/ND or 10-20 TP 1230A/ND, Seal :-				
28D/12139	AS.1246/6C	Bolt, 2 BA	1	—	C	
28D/1007980	AS.1246/1/2C	Bolt, 2 BA	4	—	C	
7056	10-20 TP 119	Tube, distance	1	—	C	RA2
28W/1006946	AGS.2035/C	Washer, shakeproof	4	—	C	
1770	10-20 TP 1217A/ND	SEAL , tailplane, leading edge, assembly	2	—	P	RA1 RA2
	10-20 TP 1221ND	PLATE , bottom, 18 SWG	1	L.72	LM	RA2
	10-20 TP 1223ND	PLATE , packing, 14 SWG	1	L.72	LM	RA2
1771	10-20 TP 1225ND	SEAL	1	—	C	RA2
1772	10-20 TP 1215	SPRING , L.H.	2	—	C	RA2
1775	10-20 TP 1216	SPRING , R.H.	2	—	C	RA2
7055	10-20 TP 1219ND	STRIP , attachment, for seal	1	—	C	RA2
		Attachments for 10-20 TP 1217A/ND, Seal :-				
28D/12139	AS.1246/6C	Bolt, 2 BA	4	—	C	
7056	10-20 TP 119	Tube, distance	4	—	C	RA2
1781	10-20 TP 1239A/ND	SEAL , tailplane, top, Port, assembly	1	—	P	RA1 RA2
1783	10-20 TP 1240A/ND	SEAL , tailplane, top, Starboard, assembly	1	—	P	RA1 RA2
	10-20 TP 1243ND	PLATE , bottom, 18 SWG	1	L.72	LM	RA2
	10-20 TP 1245ND	PLATE , packing, 14 SWG	1	L.72	LM	RA2
1782	10-20 TP 1247ND	SEAL , L.H.	1	—	C	RA2
1784	10-20 TP 1248ND	SEAL , R.H.	1	—	C	RA2
1778	10-20 TP 117	SPRING , 22 SWG	3	—	C	RA2
7058	10-20 TP 1241ND	STRIP , attachment, for seal, L.H.	1	—	C	RA2
10344	10-20 TP 1242ND	STRIP , attachment, for seal, R.H.	1	—	C	RA2
		Attachments for 10-20 TP 1239A/ND or 10-20 TP 1240A/ND, Seal :-				
28D/12139	AS.1246/6C	Bolt, 2 BA	1	—	C	
28D/1007980	AS.1246/1/2C	Bolt, 2 BA	5	—	C	
7056	10-20 TP 119	Tube, distance	1	—	C	RA2
28W/1006946	AGS.2035/C	Washer, shakeproof	5	—	C	
—	—	FIN AND TAILBOOM (See sub-section RC)	—	—	—	
—	—	RUDDER (See sub-section RD)	—	—	—	
—	—	TAILPLANE (less elevator) (See sub-section RE)	—	—	—	

RA.1

TAIL UNIT

TAIL UNIT ARRANGEMENT

RESTRICTED

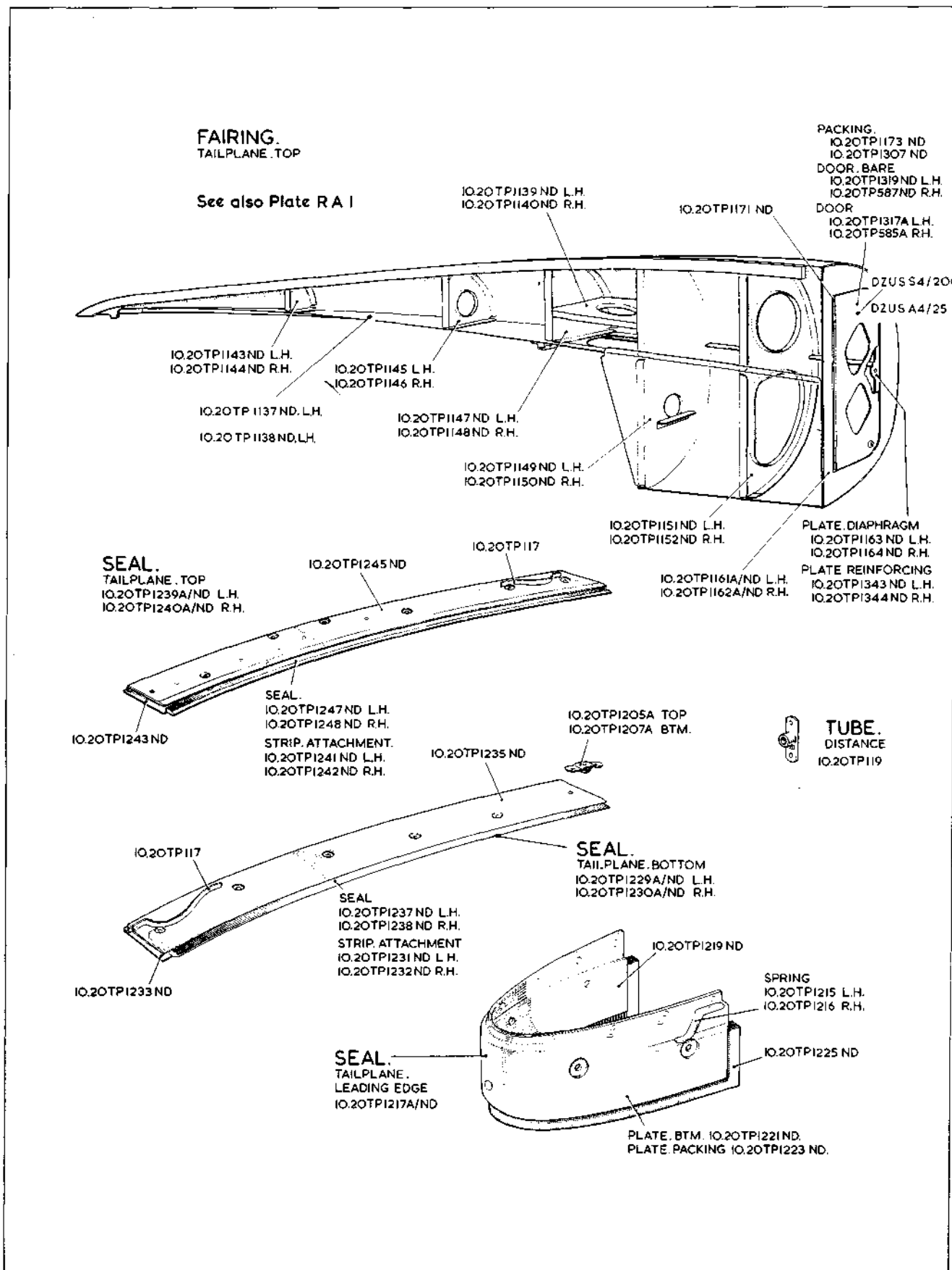


See Vixen Mk. I

RESTRICTED

Plate RA.1

RA.1
[A.L.59]



RA.2

TAIL UNIT

RA.2

TAIL UNIT ARRANGEMENT

[AL32]



This file was downloaded
from the RTFM Library.
Link: www.scottbouch.com/rftm
Please see site for usage terms,
and more aircraft documents.