

**UNDERCARRIAGE**

**INNER DOORS, MAIN UNDERCARRIAGE**

Ref. No.	Part No.	Description	No. of	Material Specification	Class of Store or L.M	Plate No.
22	S10-20 U 105	<b>DOOR, MAIN UNDERCARRIAGE, INNER, PORT,</b> special spares assembly complete with attachments	1	—	P	SB1
23	S10-20 U 106	<b>DOOR, MAIN UNDERCARRIAGE, INNER, STARBOARD,</b> special spares assembly complete with attachments	1	—	P	SB1
	10-20 U 1387A/5	<b>DOOR,</b> main undercarriage, inner, Port, assembly (Pre Mod. 735)	1	—	—	SB1
	10-20 U 1905A	<b>DOOR,</b> main undercarriage, inner, Port, assembly (Mod. 735)	1	—	—	SB1
	10-20 U 1388A/5	<b>DOOR,</b> main undercarriage, inner, Starboard, assembly (Pre Mod. 735)	1	—	—	SB1
	10-20 U 1906A	<b>DOOR,</b> main undercarriage, inner, Starboard, assembly (Mod. 735)	1	—	—	SB1
	10-20 U 1087ND	<b>ANGLE,</b> leading edge, Port (Make from Standard Section J.437, 20 SWG)	1	L.72	LM	SB1
	10-20 U 1088ND	<b>ANGLE,</b> leading edge, Starboard (Make from Standard Section J.437, 20 SWG)	1	L.72	LM	SB1
	10-20 U 969ND	<b>BEAM,</b> channel, Port, 20 SWG	1	L.72	—	SB2
	10-20 U 970ND	<b>BEAM,</b> channel, Starboard, 20 SWG	1	L.72	—	SB2
	10-20 U 1085ND	<b>BRACKET,</b> angle, at junction of diaphragm, inboard forward side of blister to inboard edge of door pan, Port, 20 SWG	1	L.72	LM	SB2
	10-20 U 1086ND	<b>BRACKET,</b> angle, at junction of diaphragm, inboard forward side of blister to inboard edge of door pan, Starboard, 20 SWG	1	L.72	LM	SB2
	10-20 U 1083ND	<b>BRACKET,</b> angle, at junction of diaphragm, forward of aft inboard cover plate to door pan, Port, 18 SWG	1	L.72	LM	SB2
	10-20 U 1084ND	<b>BRACKET,</b> angle, at junction of diaphragm, forward of aft inboard cover plate to door pan, Starboard, 18 SWG	1	L.72	LM	SB2
	10-20 U 1415ND	<b>BRACKET,</b> angle, at longitudinal diaphragm, aft of blister fairing, Port, 20 SWG	1	L.72	LM	SB2
	10-20 U 1416ND	<b>BRACKET,</b> angle, at longitudinal diaphragm, aft of blister fairing, Starboard, 20 SWG	1	L.72	LM	SB2
	10-20 U 1081ND	<b>BRACKET,</b> angle, at longitudinal diaphragm, inboard of blister fairing, 18 SWG	1	L.72	LM	SB2
	10-20 U 1719	<b>BRACKET,</b> bearing, door strut, Port (For spares use 10-20 U 1879A/ND)	1	—	—	SB1
14163	10-20 U 1879A/ND	<b>BRACKET,</b> bearing, door strut, Port (Spares condition)	1	—	C	
	10-20 U 1720	<b>BRACKET,</b> bearing, door strut, Starboard (For spares use 10-20 U 1880A/ND)	1	—	—	SB1
14164	10-20 U 1880A/ND	<b>BRACKET,</b> bearing, door strut, Starboard (Spares condition)	1	—	C	
		Attachments for 10-20 U 1719 or 10-20 U 1720. Bracket: —				
	28D/9133012	A25/3C Bolt, 2 BA	5	—	C	
	28M/9403520	A27/CP Nut, 2 BA	3	—	C	
	28M/10288	AGS.2001/C/1 Nut, 2 BA	2	—	C	
	28W/9419475	SP.15/C Washer	5	—	C	

UNDERCARRIAGE

INNER DOORS, MAIN UNDERCARRIAGE

Ref. No.	Part No.	Description	No. off						Material Specification	Class of Store or L.M	Plate No.
			1	2	3	4	5	6			
	10-20 U 879A/2	BRACKET, front hinge, Port, assembly ... (Pre Mod. 735)						1	—	—	SB1
	10-20 U 1903A	BRACKET, front hinge, Port, assembly (Mod. 735)						1	—	—	SB1
	10-20 U 880A/2	BRACKET, front hinge, Starboard, assembly ... (Pre Mod. 735)						1	—	—	SB1
	10-20 U 1904A	BRACKET, front hinge, Starboard, assembly ... (Mod. 735)						1	—	—	SB1
		Spares for:—									
3837	10-20 U 863	BUSH, hinge ... ..						2	—	C	SB1
	10-20 U 957	BUSH, spigot, on operating hinge ... ..						1	—	—	SB1
	10-20 U 1033A	BRACKET, rear hinge, Port, assembly ... ..						1	—	—	SB2
	10-20 U 1034A	BRACKET, rear hinge, Starboard, assembly ... ..						1	—	—	SB2
	10-20 U 1065A/ND	BRACKET, roller, assembly ... ..						3	—	—	SB1
28D/1212833	AS.1242/16E	BOLT, 1/4" BSF ... ..						1	—	C	SB1
3824	10-20 U 889	BRACKET, bare ... ..						1	—	C	SB1
3826	10-20 U 893	COLLAR ... ..						1	—	C	SB1
28M/1007403	A27/ET	NUT, 1/4" BSF ... ..						1	—	C	SB1
3825	10-20 U 891	ROLLER ... ..						1	—	C	SB1
28W/9418921	SP.13/E	WASHER ... ..						1	—	C	SB1
		Attachments for 10-20 U 1065A/ND, Bracket:—									
3827	10-20 U 1057	Bolt, shouldered, 1/4" BSF ... ..						4	—	C	SB1
3829	10-20 U 897	Plate, serrated, inner ... ..						1	—	C	SB1
3828	10-20 U 899	Plate, serrated, outer ... ..						1	—	C	SB1
3830	10-20 U 895	Shim ... ..						1	—	C	SB1
	10-20 U 975ND	DIAPHRAGM, Port, 20 SWG ... ..						1	L.72	LM	SB2
	10-20 U 976ND	DIAPHRAGM, Starboard, 20 SWG ... ..						1	L.72	LM	SB2
	10-20 U 991ND	DIAPHRAGM, Port, 18 SWG ... ..						1	L.72	LM	SB2
	10-20 U 992ND	DIAPHRAGM, Starboard, 18 SWG ... ..						1	L.72	LM	SB2
	10-20 U 983ND	DIAPHRAGM, Port, 18 SWG ... ..						1	L.72	LM	SB2
	10-20 U 984ND	DIAPHRAGM, Starboard, 18 SWG ... ..						1	L.72	LM	SB2
	10-20 U 981ND	DIAPHRAGM, Port, 18 SWG ... ..						1	L.72	LM	SB2
	10-20 U 982ND	DIAPHRAGM, Starboard, 18 SWG ... ..						1	L.72	LM	SB2
	10-20 U 979ND	DIAPHRAGM, Port, 20 SWG ... ..						1	L.72	LM	SB2
	10-20 U 980ND	DIAPHRAGM, Starboard, 20 SWG ... ..						1	L.72	LM	SB2
	10-20 U 977ND	DIAPHRAGM, Port, 20 SWG ... ..						1	L.72	LM	SB2
	10-20 U 978ND	DIAPHRAGM, Starboard, 20 SWG ... ..						1	L.72	LM	SB2
	10-20 U 987ND	DIAPHRAGM, Port, 20 SWG ... ..						1	L.72	LM	SB2
	10-20 U 988ND	DIAPHRAGM, Starboard, 20 SWG ... ..						1	L.72	LM	SB2
	10-20 U 995ND	DIAPHRAGM, Port, 20 SWG ... ..						1	L.72	LM	SB2
	10-20 U 996ND	DIAPHRAGM, Starboard, 20 SWG ... ..						1	L.72	LM	SB2
	10-20 U 989ND	DIAPHRAGM, Port, 20 SWG ... ..						1	L.72	LM	SB2
	10-20 U 990ND	DIAPHRAGM, Starboard, 20 SWG ... ..						1	L.72	LM	SB2
	10-20 U 999ND	DIAPHRAGM, Port, 20 SWG ... ..						1	L.72	LM	SB2
	10-20 U 1000ND	DIAPHRAGM, Starboard, 20 SWG ... ..						1	L.72	LM	SB2
	10-20 U 985ND	DIAPHRAGM, Port, 20 SWG ... ..						1	L.72	LM	SB2
	10-20 U 986ND	DIAPHRAGM, Starboard, 20 SWG ... ..						1	L.72	LM	SB2
	10-20 U 997ND	DIAPHRAGM, Port, 20 SWG ... ..						1	L.72	LM	SB2
	10-20 U 998ND	DIAPHRAGM, Starboard, 20 SWG ... ..						1	L.72	LM	SB2
	10-20 U 993ND	DIAPHRAGM, Port, 20 SWG ... ..						1	L.72	LM	SB2
	10-20 U 994ND	DIAPHRAGM, Starboard, 20 SWG ... ..						1	L.72	LM	SB2
	10-20 U 1099A/ND	DIAPHRAGM, Port, 18 SWG ... ..						1	L.72	LM	SB2
	10-20 U 1100A/ND	DIAPHRAGM, Starboard, 18 SWG ... ..						1	L.72	LM	SB2

**INNER DOORS, MAIN UNDERCARRIAGE**

Ref. No.	Part No.	Description	No. off	Material Specification	Class of Store or L.M.	Place No.
	10-20 U 1517	<b>FAIRING</b> , hinge, Port ... .. (For spares use 10-20 U 1857ND)	1	L.72	—	SB1
14346	10-20 U 1857ND	<b>FAIRING</b> , hinge, Port (Spares condition) ...	1	L.72	C	
	10-20 U 1518	<b>FAIRING</b> , hinge, Starboard ... .. (For spares use 10-20 U 1858ND)	1	L.72	—	SB1
14347	10-20 U 1858ND	<b>FAIRING</b> , hinge, Starboard (Spares condition)	1	L.72	C	
12141	10-20 U 1389A/1	<b>HANDLE</b> , quick release, assembly (Mod. 316) ...	1	—	P	SB2
28D/12537	A25/14C	<b>BOLT</b> , 2 BA, connecting mounting plates ...	1	—	C	
		Attachments for A25/14C. Bolt:—				
28M/1006473	A27/CT	Nut, 2 BA ... ..	1	—	C	
28W/9419454	SP.10/C	Washer ... ..	1	—	C	
	10-20 U 1391A/1	<b>HANDLE</b> , assembly (Mod. 316) ... ..	1	—	—	SB2
3842	10-20 U 1053A	<b>HANDLE</b> , less hook and spring, assembly	1	—	P	SB2
		Spares for:—				
4149	DHS.418/2/J/21	<b>BUSH</b> (See Repair section PA) ... ..	2	DTD.197	C	SB2
12142	10-20 U 1787	<b>HOOK</b> (Mod. 316) ... ..	1	DTD.666	C	SB2
		Attachments for 10-20 U 1787, Hook:—				
28D/18156	A60/9E	Bolt, 1/4" BSF ... ..	1	—	C	
28M/12931	A27/ET	Nut, 1/4" BSF ... ..	1	—	C	
3840	10-20 U 925	Tube, distance ... ..	1	S.96	C	SB2
28W/9418920	SP.10/E	Washer ... ..	1	—	C	
	10-20 U 917	<b>SPRING</b> ... ..	1	DTD.215	C	SB2
		Attachments for 10-20 U 1391A/1, Handle:—				
28D/17770	A60/15E	Bolt, 1/4" BSF ... ..	1	—	C	
28M/12931	A27/ET	Nut, 1/4" BSF ... ..	1	—	C	
3843	10-20 U 921	Tube, distance ... ..	1	S.96	C	SB2
28W/9418920	SP.10/E	Washer ... ..	1	—	C	
28W/9419477	SP.15/J	Washer ... ..	2	—	C	
	10-20 U 1785	<b>PLATE</b> , mounting (Mod. 316) ... ..	1	DTD.298	—	SB2
	10-20 U 1786	<b>PLATE</b> , mounting (Mod. 316) ... ..	1	DTD.298	—	SB2
3844	10-20 U 919	<b>SPRING</b> ... ..	1	DTD.215	C	SB2
	10-20 U 1971	<b>STOP</b> ... ..	1	L.65	LM	SB2
		Attachments for 10-20 U 1971, Stop:—				
28D/1010142	A25/9B	Bolt, 4 BA ... ..	1	—	C	
28M/1006504	A27/BT	Nut, 4 BA ... ..	1	—	C	
28W/9419401	SP.10/6B	Washer ... ..	1	—	C	
	10-20 U 915	<b>TRIGGER</b> ... ..	1	DTD.424	C	SB2
		Attachments for 10-20 U 915, Trigger:—				
28D/17617	A60/13E	Bolt, 1/4" BSF ... ..	1	—	C	
28M/12931	A27/ET	Nut, 1/4" BSF ... ..	1	—	C	
3845	10-20 U 923	Tube, distance ... ..	1	S.96	C	SB2
28W/9418920	SP.10/E	Washer ... ..	1	—	C	
	AS.2806/4/058	<b>TUBE</b> , distance, trigger stop. 1/4" o/d x 22 SWG x 0".58 long	1	T.35	LM	SB2
		Attachments for AS.2806/4/058, Tube:—				
28D/9435710	A25/11C	Bolt, 2 BA ... ..	1	—	C	
28M/1006473	A27/CT	Nut, 2 BA ... ..	1	—	C	
28W/9419454	SP.10/C	Washer ... ..	1	—	C	
		Attachments for 10-20 U 1389A/1, Handle:—				
3846	10-20 U 1059	Bolt, 4".50 long ... ..	1	S.96	C	SB2
15441	10-20 U 1901	Bolt, 4".25 long ... ..	1	S.96	C	SB2

**UNDERCARRIAGE**

**INNER DOORS, MAIN UNDERCARRIAGE**

Ref. No.	Part No.	Description	No. off	Material Specification	Class of Store or L.M	Plate No.
	10-20 U 1039A	<b>HINGE</b> , rear, Port, assembly ... .. (For spares use 10-20 U 1873A/ND)	1	—	—	SB1
13698	10-20 U 1873A/ND	<b>HINGE</b> , rear, Port, assembly (Spares condition)	1	—	P	
	10-20 U 1040A	<b>HINGE</b> , rear, Starboard, assembly ... .. (For spares use 10-20 U 1874A/ND)	1	—	—	SB1
13699	10-20 U 1874A/ND	<b>HINGE</b> , rear, Starboard, assembly (Spares condition)	1	—	P	
3851	10-20 U 945	Spares for :— <b>BUSH</b> ... .. Attachments for 10-20 U 1039A or 10-20 U 1040A, Hinge :—	2	DTD.197	C	SB1
28D/12818	A25/9G	Bolt, $\frac{3}{16}$ " BSF ... ..	2	—	C	
28D/1011245	A25/10E	Bolt, $\frac{1}{4}$ " BSF ... ..	2	—	C	
28W/9419455	SP.10/G	Washer ... ..	2	—	C	
28W/9418920	SP.10/E	Washer ... ..	2	—	C	
	10-20 U 1007A	<b>MOUNTING</b> , forward outboard lock roller, Port, assembly (For spares use 10-20 U 1863A/ND)	1	—	—	SB1
13760	10-20 U 1863A/ND	<b>MOUNTING</b> , forward outboard lock roller, Port, assembly (Spares condition)	1	—	P	
	10-20 U 1008A	<b>MOUNTING</b> , forward outboard lock roller, Starboard, assembly (For spares use 10-20 U 1864A/ND)	1	—	—	SB1
13761	10-20 U 1864A/ND	<b>MOUNTING</b> , forward outboard lock roller, Starboard, assembly (Spares condition)	1	—	P	
3831	10-20 U 953A	<b>MOUNTING</b> , rear lock roller, Port, assembly	1	—	P	SB1
3832	10-20 U 954A	<b>MOUNTING</b> , rear lock roller, Starboard, assembly	1	—	P	SB1
12405	10-20 U 1797	<b>PAD</b> , rubbing, Port ... ..	1	LFS.21, 23 or 26	C	SB1
12406	10-20 U 1798	<b>PAD</b> , rubbing, Starboard ... ..	1	LFS.24, 23 or 26	C	SB1
	10-20 U 737	<b>PAN</b> , door, Port ... ..	1	L.73	—	SB1
	10-20 U 738	<b>PAN</b> , door, Starboard ... ..	1	L.73	—	SB1
	10-20 U 1069ND	<b>PLATE</b> , cover, aft centre, Port, 16 SWG ...	1	L.72	LM	SB1
	10-20 U 1070ND	<b>PLATE</b> , cover, aft centre, Starboard, 16 SWG ...	1	L.72	LM	SB1
	10-20 U 1071ND	<b>PLATE</b> , cover, aft inboard, Port, 16 SWG ...	1	L.72	LM	SB1
	10-20 U 1072ND	<b>PLATE</b> , cover, aft inboard, Starboard, 16 SWG ...	1	L.72	LM	SB1
	10-20 U 1067ND	<b>PLATE</b> , cover, aft outboard, 16 SWG ...	1	L.72	LM	SB1
	10-20 U 1075ND	<b>PLATE</b> , cover, centre forward, Port, 16 SWG ...	1	L.72	LM	SB1
	10-20 U 1076ND	<b>PLATE</b> , cover, centre forward, Starboard, 16 SWG	1	L.72	LM	SB1
	10-20 U 1089A	<b>PLATE</b> , cover, forward hinge, Port, assembly ...	1	—	LM	SB1
	10-20 U 1090A	<b>PLATE</b> , cover, forward hinge, Starboard, assembly Attachments for 10-20 U 1089A or 10-20 U 1090A, Plate :—	1	—	LM	SB1
3411	A25/1C/DHS.514/D	Bolt, 2 BA ... ..	15	—	C	SB1
	10-20 U 1073ND	<b>PLATE</b> , cover, forward inboard, 16 SWG ...	1	L.72	LM	SB1
	10-20 U 1077ND	<b>PLATE</b> , cover, forward outboard, 16 SWG ...	1	L.72	LM	SB1
	10-20 U 1095ND	<b>PLATE</b> , reinforcing, front hinge, Port, 14 SWG	1	L.72	LM	SB1
	10-20 U 1096ND	<b>PLATE</b> , reinforcing, front hinge, Starboard, 14 SWG	1	L.72	LM	SB1
	10-20 U 967ND	<b>SKIN</b> , door, Port, 18 SWG ... ..	1	L.73	LM	SB1
	10-20 U 968ND	<b>SKIN</b> , door, Starboard, 18 SWG ... ..	1	L.73	LM	SB1
	10-20 U 1005ND	<b>SKIN</b> , stub boom fairing, Port ... .. (For spares use 10-20 U 1899ND)	1	L.72	—	SB1
14521	10-20 U 1899ND	<b>SKIN</b> , stub boom fairing, Port ... .. (Spares condition)	1	L.72	C	
	10-20 U 1006ND	<b>SKIN</b> , stub boom fairing, Starboard ... .. (For spares use 10-20 U 1900ND)	1	L.72	—	SB1
14552	10-20 U 1900ND	<b>SKIN</b> , stub boom fairing, Starboard ... .. (Spares condition)	1	L.72	C	

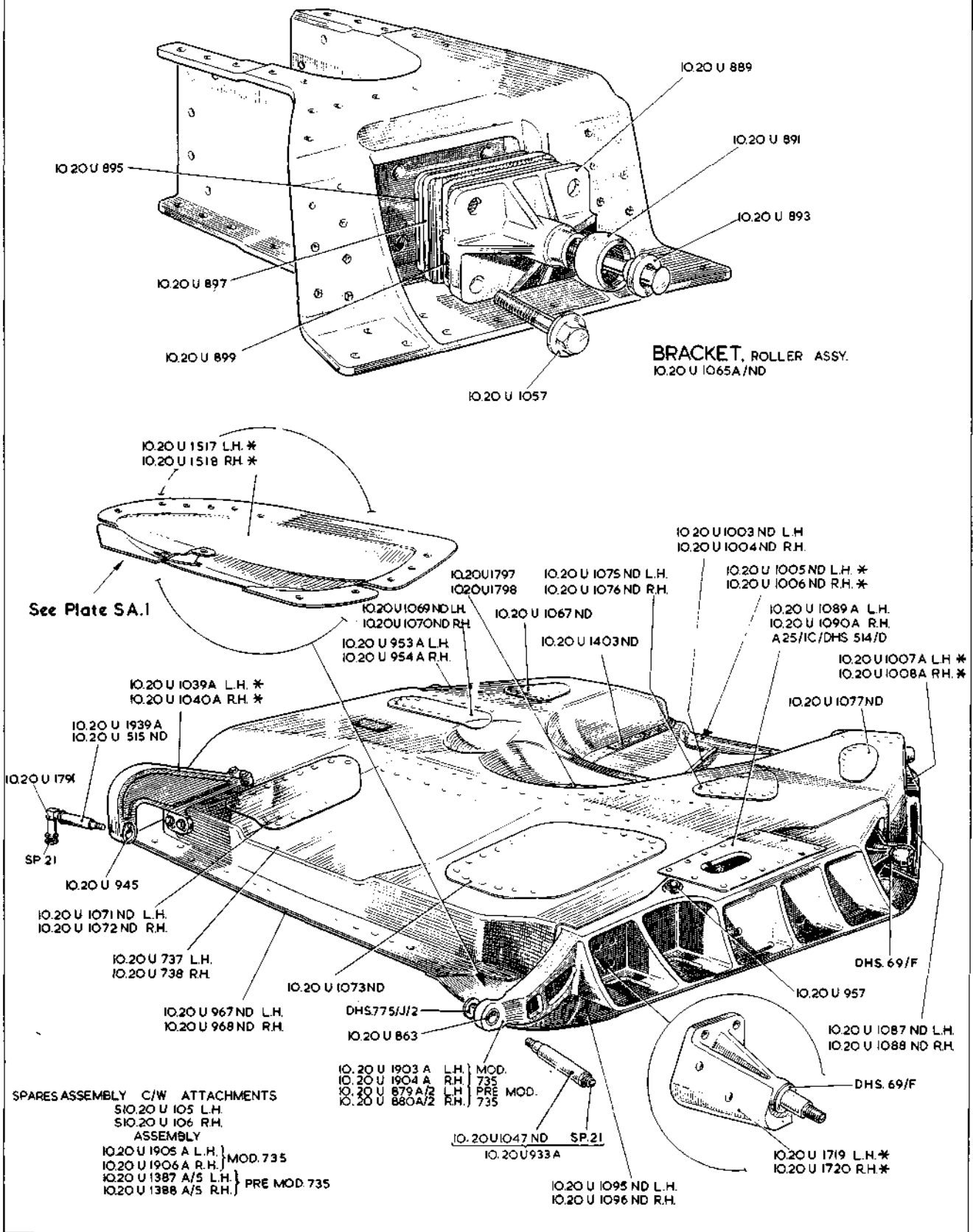
**UNDERCARRIAGE**

**INNER DOORS, MAIN UNDERCARRIAGE**

Ref. No.	Part No.	Description	No. off	Material Specification	Class of Store or L.M	Place No.
	10-20 U 1003ND	<b>STIFFENER</b> , centre outboard, Port (Make from Standard Section J.1043)	1	L.73	LM	SB1
	10-20 U 1004ND	<b>STIFFENER</b> , centre outboard, Starboard (Make from Standard Section J.1043)	1	L.73	LM	SB1
	10-20 U 1403ND	<b>STRAP</b> , butt, 16 SWG	1	L.73	LM	SB1
	10-20 U 973ND	<b>STRIP</b> , reinforcing, bottom, Port, 20 SWG	1	L.72	LM	SB2
	10-20 U 974ND	<b>STRIP</b> , reinforcing, bottom, Starboard, 20 SWG	1	L.72	LM	SB2
	10-20 U 971ND	<b>STRIP</b> , reinforcing, top, inboard of blister fairing, Port, 12 SWG	1	L.72	LM	SB2
	10-20 U 972ND	<b>STRIP</b> , reinforcing, top, inboard of blister fairing, Starboard, 12 SWG	1	L.72	LM	SB2
		Attachments for 10-20 U 1387A/5, 10-20 U 1905A, 10-20 U 1388A/5 or 10-20 U 1906A, Door :-				
2988	10-20 U 933A	Bolt, pivot, forward hinge, assembly	1	—	P	SB1
	10-20 U 1047ND	Bolt, bare	1	—	—	SB1
28N/9156370	SP.21	Nipple, lubrication	1	—	C	SB1
	10-20 U 1939A	Bolt, pivot, rear hinge, assembly (Mod. 900)	1	—	—	SB1
5633	10-20 U 515ND	Bolt, bare	1	—	C	SB1
12823	10-20 U 1791	Extension, angled, lubrication nipple	1	—	C	SB1
28N/9156370	SP.21	Nipple, lubrication	1	—	C	SB1
28M/1007403	A27/ET	Nut, locking, lubrication extension	1	—	C	
28M/1011467	A27/ES	Nut, 1/4" BSF, servicing strut	1	—	C	
28M/14833	A58/JS	Nut, 3/8" BSF, forward and rear hinge bolts	2	—	C	
28P/9527619	SP.90/C7	Pin, split, rear hinge, and servicing strut (SP.9/C8)...	2	—	C	
26FN/829	DHS.69/F	Shim, servicing, strut (Max. thickness 3/2")	3	—	C	SB1
28W/9418921	SP.13/E	Washer, servicing strut	1	—	C	
1651	DHS.775/J/2	Washer, forward hinge	1	—	C	SB1
28W/9419466	SP.13/J	Washer, rear hinge	1	—	C	



SEE TEXT FOR SPARES CONDITION  
OF ITEMS MARKED THUS - \*



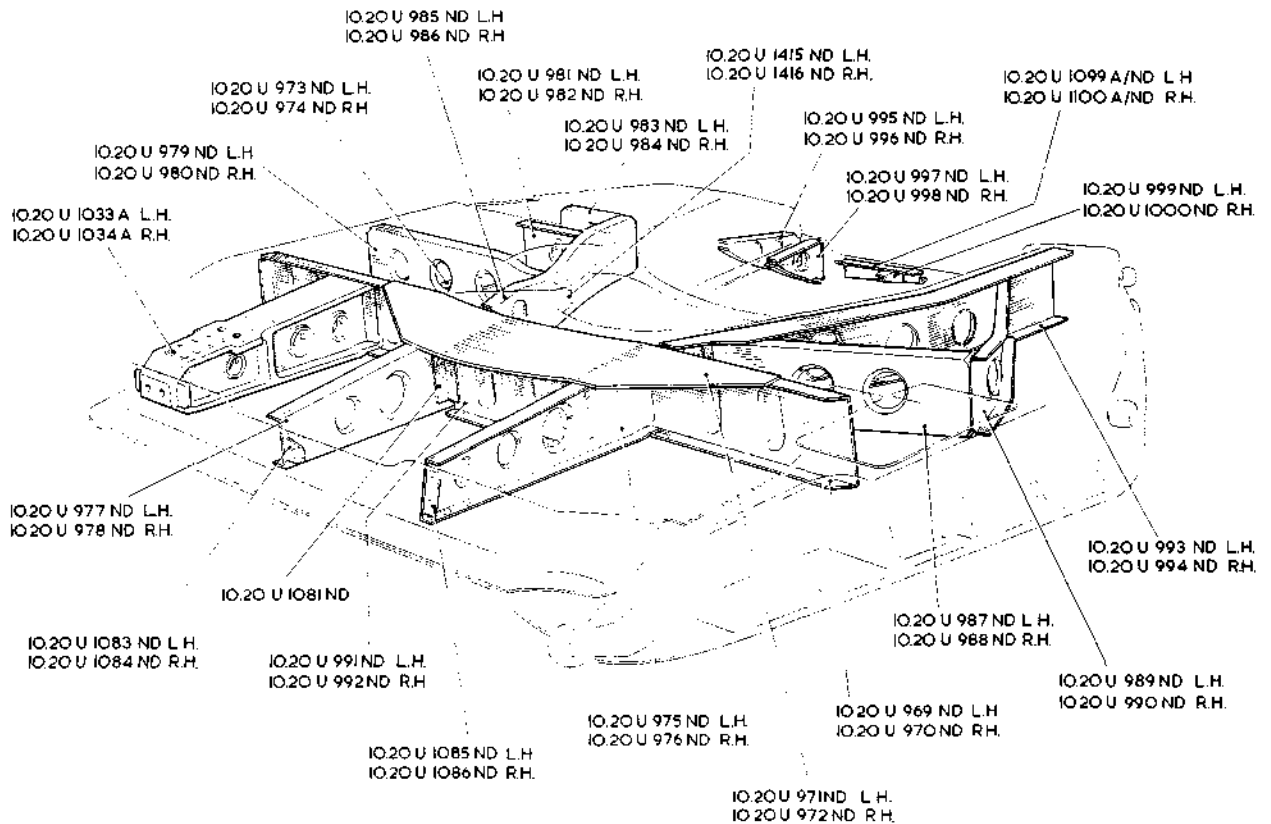
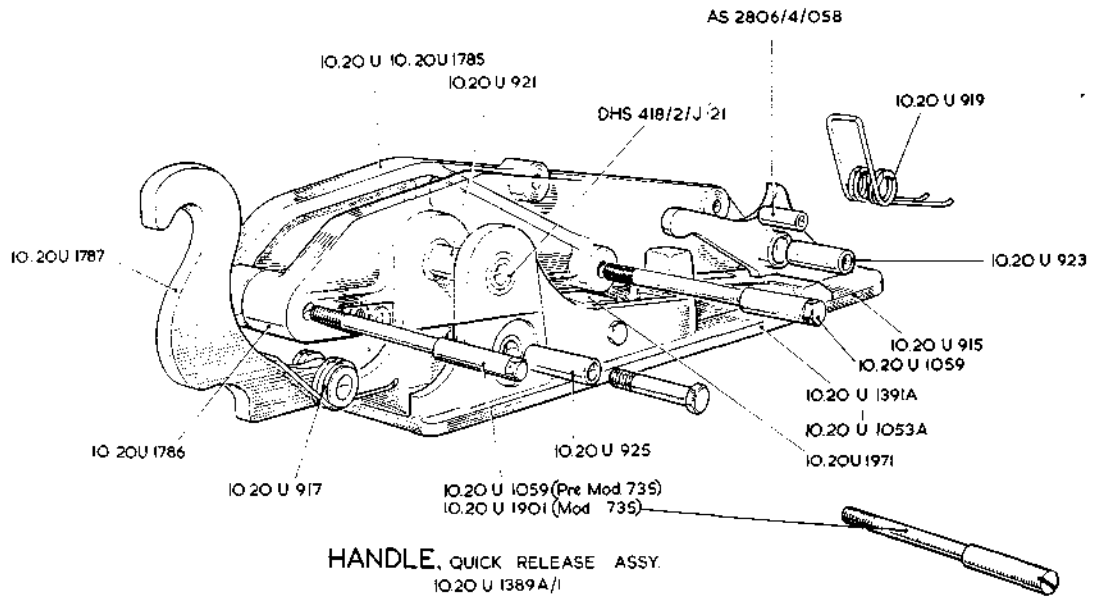
SB.1

# UNDERCARRIAGE

SB.1

## INNER DOORS, MAIN UNDERCARRIAGE

[AL.80]



SB.2

UNDERCARRIAGE  
INNER DOORS, MAIN  
UNDERCARRIAGE

SB.2  
[A.L.28]

This file was downloaded  
from the RTFM Library.

Link: [www.scottbouch.com/rtfm](http://www.scottbouch.com/rtfm)

Please see site for usage terms,  
and more aircraft documents.

