

UNDERCARRIAGE

OUTER DOORS, MAIN UNDERCARRIAGE

Ref. No.	Part No.	Description	No. off	Material Specification	Class of Store or L.M	Place No.
24	S10-20 U 107	DOOR, MAIN UNDERCARRIAGE, OUTER, PORT, Spares Assembly, complete with attachments	1	—	P	SC1
25	S10-20 U 108	DOOR, MAIN UNDERCARRIAGE, OUTER, STARBOARD, Spares Assembly, complete with attachments	1	—	P	SC1
	10-20 U 15A	DOOR, main undercarriage, Port, assembly	1	—	—	SC1
	10-20 U 16A	DOOR, main undercarriage, Starboard, assembly	1	—	—	SC1
	10-20 U 819ND	Spares for :— ANGLE, leading edge, Port (Make from Standard Section J.437)	1	—	—	SC1
	10-20 U 820ND	ANGLE, leading edge, Starboard (Make from Standard Section J.437)	1	—	—	SC1
	10-20 U 1179ND	ANGLE, securing former No. 3, Port, 16 SWG	1	L.72	—	SC1
	10-20 U 1180ND	ANGLE, securing former No. 3, Starboard, 16 SWG	1	L.72	—	SC1
	10-20 U 1181ND	ANGLE, securing former No. 4, Port, 16 SWG	1	L.72	—	SC1
	10-20 U 1182ND	ANGLE, securing former No. 4, Starboard, 16 SWG	1	L.72	—	SC1
2027	10-20 U 827	BRACKET, operating rod	1	—	C	SC1
5621	A25/4C/DHS.514/D	Attachments for 10-20 U 827, Bracket :— Bolt, 2 BA (Alternative S21/A25/4C)	6	—	C	SC1
5622	A25/6C/DHS.514/D	Bolt, 2 BA (Alternative S21/A25/6C)	4	—	C	SC1
	10-20 U 829A	BRACKET, support, hinge bracket, Port, door, assembly	2	—	—	SC1
	10-20 U 830A	BRACKET, support, hinge bracket, Starboard door, assembly	2	—	—	SC1
		Spares for :—				
2026	10-20 U 835	BUSH, threaded	2	—	C	SC1
2469	10-20 U 959	BUSH, threaded Attachment for 10-20 U 835 or 10-20 U 959, Bush :—	1	—	C	SC1
28D/1007975	AS.1242/1C	Bolt, 2 BA	1	—	C	
	10-20 U 815ND	DIAPHRAGM, between forward hinge bracket and leading edge, Port, 18 SWG	1	L.72	—	SC1
	10-20 U 816ND	DIAPHRAGM, between forward hinge bracket and leading edge, Starboard, 18 SWG	1	L.72	—	SC1
	10-20 U 817ND	DIAPHRAGM, between hinge brackets, Port, 18 SWG	1	L.72	—	SC1
	10-20 U 818ND	DIAPHRAGM, between hinge bracket, Starboard, 18 SWG	1	L.72	—	SC1
19484	10-20 U 2109A	EYE-END, adjustable, complete with ball, for door operating connecting rod, assembly Attachments for 10-20 U 2109A, Eye-end :—	1	—	C	SC1
28D/1212898	AS.1242/8J	Bolt, 3/4" BSF	1	—	C	
2467	10-20 U 861	Nut, special, 3/4" BSF	1	—	C	SC1
	10-20 U 783ND	FAIRING, tail boom, Port (For spares use 10-20 U 1841ND)	1	L.72	—	SC1
12269	10-20 U 1841ND	FAIRING, tail boom, Port (Spares condition)	1	—	C	
	10-20 U 784ND	FAIRING, tail boom, Starboard (For spares use 10-20 U 1842ND)	1	L.72	—	SC1
12270	10-20 U 1842ND	FAIRING, tail boom, Starboard (Spares condition)	1	—	C	

UNDERCARRIAGE

OUTER DOORS, MAIN UNDERCARRIAGE

Ref. No.	Part No.	Description	No. off	Material Specification	Class of Store or L.M	Plate No.
	10-20 U 1123ND	FORMER , No. 1, Port, 18 SWG	1	L.72	—	SC1
	10-20 U 1124ND	FORMER , No. 1, Starboard, 18 SWG	1	L.72	—	SC1
	10-20 U 1125ND	FORMER , No. 2, Port, 18 SWG	1	L.72	—	SC1
	10-20 U 1126ND	FORMER , No. 2, Starboard, 18 SWG	1	L.72	—	SC1
	10-20 U 1127ND	FORMER , No. 3, Port, 18 SWG	1	L.72	—	SC1
	10-20 U 1128ND	FORMER , No. 3, Starboard, 18 SWG	1	L.72	—	SC1
	10-20 U 1129ND	FORMER , No. 4, Port, 18 SWG	1	L.72	—	SC1
	10-20 U 1130ND	FORMER , No. 4, Starboard, 18 SWG	1	L.72	—	SC1
	10-20 U 1173A	HINGE , Port door, assembly (For spares use 10-20 U 1875A/ND)	2	—	—	SC1
14344	10-20 U 1875A/ND	HINGE , Port door, assembly (Spares condition)	2	—	C	
	10-20 U 1174A	HINGE , Starboard door, assembly (For spares use 10-20 U 1876A/ND)	2	—	—	SC1
14345	10-20 U 1876A/ND	HINGE , Starboard door, assembly (Spares condition)	2	—	C	
		Spares for :—				
3047	DHS.419/2/1/58	BUSH Attachments for 10-20 U 1173A or 10-20 U 1174A, Hinge :—	1	—	C	SC1
5615	A25/6E/DHS.514/D	Bolt, 1/2" BSF (Alternative S21/A25/6E)	1	—	C	SC1
5627	A25/6G/DHS.514/D	Bolt, 5/16" BSF (Alternative S21/A25/6G)	1	—	C	SC1
6748	A25/7E/DHS.514/D	Bolt, 1/2" BSF (Alternative S21/A25/7E)	1	—	C	SC1
28M/11957	AGS.2007/C/1	NUT , anchor, supporting operating rod bracket	10	—	C	
	10-20 U 823ND	PLATE , packing, for anchor nuts supporting operating rod bracket, 0".55 x 8 SWG x 2".0 long	2	L.72	LM	SC1
	10-20 U 1383ND	REINFORCING , at formers No. 3 and No. 4, Port, 16 SWG	1	L.72	—	SC1
	10-20 U 1384ND	REINFORCING , at formers No. 3 and No. 4, Starboard, 16 SWG	1	L.72	—	SC1
	10-20 U 785ND	RIB , end, upper, Port (For spares use 10-20 U 1865ND)	1	L.72	—	SC1
13762	10-20 U 1865ND	RIB , end, upper, Port (Spares condition)...	1	—	C	
	10-20 U 786ND	RIB , end, upper, Starboard (For spares use 10-20 U 1866ND)	1	L.72	—	SC1
13763	10-20 U 1866ND	RIB , end, upper, Starboard (Spares condition) ...	1	—	C	
	10-20 U 789ND	RIB , No. 2, Port, 18 SWG	1	L.72	—	SC1
	10-20 U 790ND	RIB , No. 2, Starboard, 18 SWG	1	L.72	—	SC1
	10-20 U 791ND	RIB , No. 3, Port, 18 SWG	1	L.72	—	SC1
	10-20 U 792ND	RIB , No. 3, Starboard, 18 SWG	1	L.72	—	SC1
	10-20 U 793ND	RIB , No. 4, Port, 18 SWG	1	L.72	—	SC1
	10-20 U 794ND	RIB , No. 4, Starboard, 18 SWG	1	L.72	—	SC1
	10-20 U 795ND	RIB , No. 5, Port, 18 SWG	1	L.72	—	SC1
	10-20 U 796ND	RIB , No. 5, Starboard, 18 SWG	1	L.72	—	SC1
	10-20 U 797ND	RIB , No. 6, Port, 18 SWG	1	L.72	—	SC1
	10-20 U 798ND	RIB , No. 6, Starboard, 18 SWG	1	L.72	—	SC1
	10-20 U 799ND	RIB , No. 7, Port, 18 SWG	1	L.72	—	SC1
	10-20 U 800ND	RIB , No. 7, Starboard, 18 SWG	1	L.72	—	SC1
	10-20 U 801ND	RIB , No. 8, Port, 18 SWG	1	L.72	—	SC1
	10-20 U 802ND	RIB , No. 8, Starboard, 18 SWG	1	L.72	—	SC1

UNDERCARRIAGE

OUTER DOORS, MAIN UNDERCARRIAGE

Ref. No.	Part No.	Description	No. off	Material Specification	Class of Store or L.M	Place No.
	10-20 U 803ND	RIB, No. 9, Port, 18 SWG	1	L.72	—	SC1
	10-20 U 804ND	RIB, No. 9, Starboard, 18 SWG	1	L.72	—	SC1
	10-20 U 805ND	RIB, No. 10, Port (For spares use 10-20 U 1867ND)	1	L.72	—	SC1
13672	10-20 U 1867ND	RIB, No. 10, Port (Spares condition)	1	—	C	
	10-20 U 806ND	RIB, No. 10, Starboard (For spares use 10-20 U 1868ND)	1	L.72	—	SC1
13673	10-20 U 1868ND	RIB, No. 10, Starboard (Spares condition)	1	—	C	
	10-20 U 807ND	RIB, No. 11, Port (For spares use 10-20 U 1869ND)	1	L.72	—	SC1
13668	10-20 U 1869ND	RIB, No. 11, Port (Spares condition)	1	—	C	
	10-20 U 808ND	RIB, No. 11, Starboard (For spares use 10-20 U 1870ND)	1	L.72	—	SC1
13669	10-20 U 1870ND	RIB, No. 11, Starboard (Spares condition)	1	—	C	
	10-20 U 809ND	RIB, No. 12, Port (For spares use 10-20 U 1871ND)	1	L.72	—	SC1
13670	10-20 U 1871ND	RIB, No. 12, Port (Spares condition)	1	—	C	
	10-20 U 810ND	RIB, No. 12, Starboard (For spares use 10-20 U 1872ND)	1	L.72	—	SC1
13671	10-20 U 1872ND	RIB, No. 12, Starboard (Spares condition)	1	—	C	
	10-20 U 781ND	SKIN, inner, Port (For spares use 10-20 U 1839ND)	1	L.72	—	SC1
12267	10-20 U 1839ND	SKIN, inner, Port (Spares condition)	1	—	C	
	10-20 U 782ND	SKIN, inner, Starboard (For spares use 10-20 U 1840ND)	1	L.72	—	SC1
12268	10-20 U 1840ND	SKIN, inner, Starboard (Spares condition)	1	—	C	
	10-20 U 779ND	SKIN, outer, Port, 18 SWG	1	L.72	LM	SC1
	10-20 U 780ND	SKIN, outer, Starboard, 18 SWG	1	L.72	LM	SC1
	—	PIN, hinge, group (Drg. No. 10-20 G 7)	2	—	—	
34-11 13672	A25/1C/DHS.514/D	BOLT, 2 BA (Alternative S21/A25/1C)	1	—	C	SC1
12823	10-20 U 1791	EXTENSION, angled, lubrication nipple	1	—	C	SC1
28N/9156370	SP.21	NIPPLE, lubrication	1	—	C	
28M/1007403	A27/ET	NUT, 3/8" BSF	1	—	C	
2460	10-20 U 859	PIN, hinge	1	—	C	SC1
19458	10-20 U 2105A	ROD, connecting, door operating, assembly (Mod. 1350) (Drg. No. 10-20 G 7)	1	—	C	SC1
	2468	Attachments for 10-20 U 2105A, Rod :—				
		Bolt, spigot	1	—	C	SC1
	3818	Nut, 3/8" BSF (Alternative S21/A24/JT)	1	—	C	SC1
28M/1011476	A27/J5	Nut, 3/8" BSF	2	—	C	
28P/9527619	SP.90/C7	Pin, split (SP.9/C8)	2	—	C	

UNDERCARRIAGE

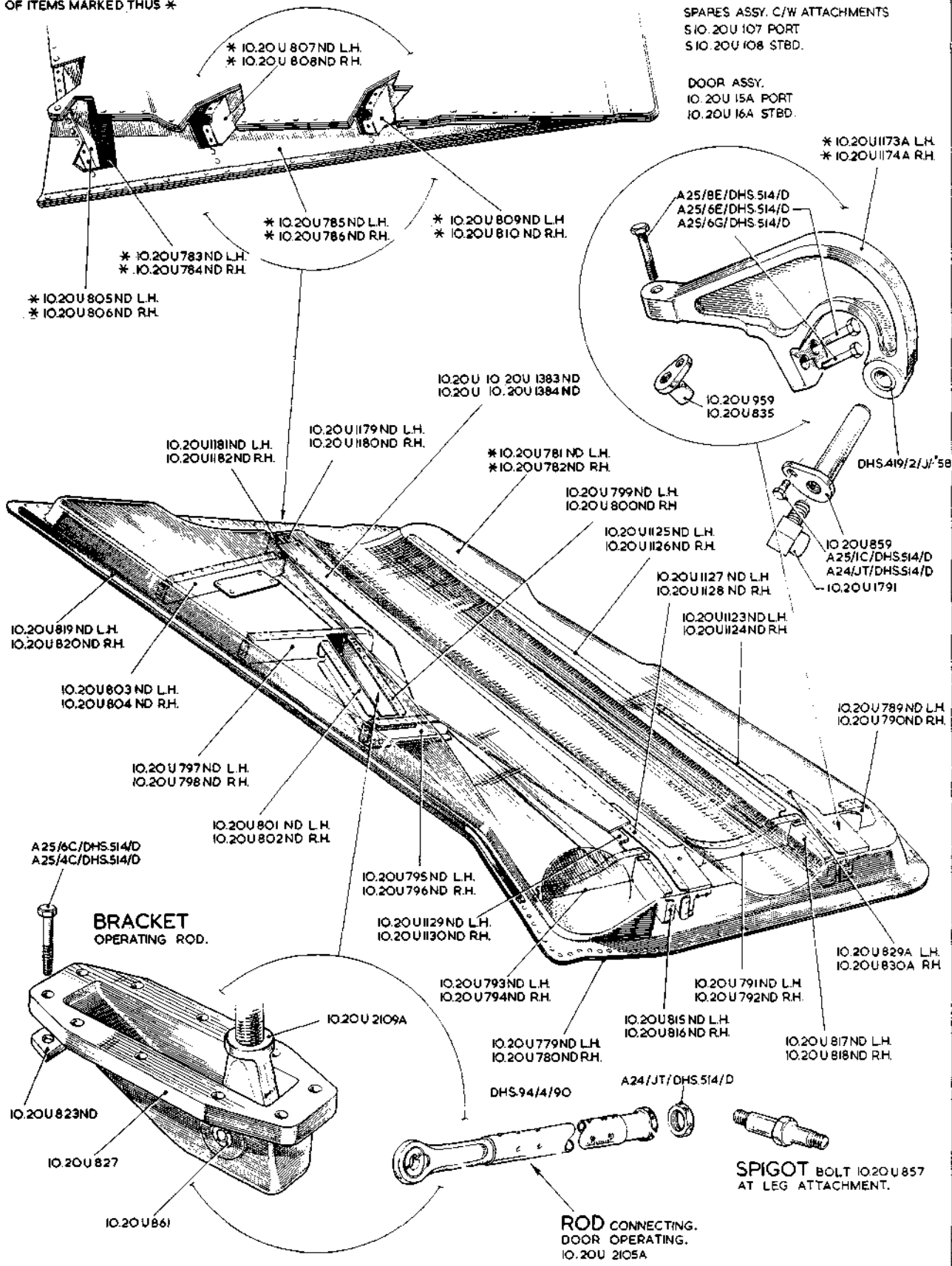
OUTER DOORS, MAIN UNDERCARRIAGE

Ref. No.	Part No.	Description						No. off	Material Specification	Class of Store or L.M	Place No.
		1	2	3	4	5	6				

SEE TEXT FOR SPARES CONDITION OF ITEMS MARKED THUS *

SPARES ASSY. C/W ATTACHMENTS
SIO. 20U 107 PORT
SIO. 20U 108 STBD.

DOOR ASSY.
IO. 20U 15A PORT
IO. 20U 16A STBD.



SC.1

UNDERCARRIAGE OUTER DOORS MAIN UNDERCARRIAGE

SC.1
[AL. 60]

This file was downloaded
from the RTFM Library.

Link: www.scottbouch.com/rtfm

Please see site for usage terms,
and more aircraft documents.

