

**UNDERCARRIAGE  
NOSEWHEEL ARRANGEMENT**

Ref. No.	Part No.	Description	No. off	Material Specification	Class of Store or L.M	Plate No.
	—	<b>NOSEWHEEL UNDERCARRIAGE ARRANGEMENT</b> (Drg. Nos. 10-20 G 9 (Pre Mod. 1368) and 10-22 G 15 (Mod. 1368))	1	—	—	
3921	10 UN 207A	<b>BRACKET</b> , housing door locking cross-shaft, L.H., assembly	1	—	P	SH1
3922	10 UN 208A	<b>BRACKET</b> , housing door locking cross-shaft, R.H., assembly	1	—	P	SH1
2A/9500441	—	<b>BEARING</b> , ball Attachments for 10 UN 207A or 10 UN 208A, Bracket :—	1	—	C	SH1
28D/9133012	A25/3C	Bolt, 2 BA ... ..	2	—	C	
28D/1200119	A25/4C	Bolt, 2 BA ... ..	1	—	C	
28M/10288	AGS.2001/C/1	Nut, 2 BA ... ..	3	—	C	
28W/9419475	SP.15/C	Washer ... ..	3	—	C	
3906	10-20 UN 685	<b>BRACKET</b> , support, door operating crank ... Attachments for 10-20 UN 685, Bracket :—	1	—	C	SH1
28D/8308	AS.1242/3C	Bolt, 2 BA ... ..	4	—	C	
28M/9403520	A27/CP	Nut, 2 BA ... ..	4	—	C	
28W/9419475	SP.15/C	Washer ... ..	4	—	C	
3901	10-20 UN 533	<b>BRACKET</b> , support, door operating lever ... Attachments for 10-20 UN 533, Bracket :—	1	—	C	SH1
28D/1008145	A25/6E	Bolt, 1/2" BSF ... ..	1	—	C	
28D/1010031	A25/8E	Bolt, 1/2" BSF ... ..	2	—	C	
28D/8327	AS.1242/6E	Bolt, 1/2" BSF ... ..	1	—	C	
28M/1011475	A27/EP	Nut, 1/2" BSF ... ..	4	—	C	
28W/9419405	SP.15/E	Washer ... ..	4	—	C	
19472	10-20 UN 3199A	<b>CRANK</b> , door operating, between door lock link and cross tube connecting rod, assembly (Mod. 1350) Spares for :—	1	—	P	SH1
19473	HOFFMANN N.7251	<b>BEARING</b> , ball ... ..	2	—	C	SH1
3903	10 UN 497	<b>SPACER</b> ... .. Attachments for 10-20 UN 3199A, Crank :—	1	—	C	SH1
3904	10 UN 205	Bolt, 2 BA, special ... ..	1	—	C	SH1
28M/5808573	A27/CS	Nut, 2 BA ... ..	1	—	C	
28P/9527619	SP.90/C7	Pin, split (SP.9/C8) ... ..	1	—	C	
3905	10 UN 545	Plug-end ... ..	1	—	C	SH1
28W/9419402	SP.13/C	Washer ... ..	1	—	C	
3923	10 UN 539A	<b>CROSS-TUBE</b> , door lock, assembly ... ..	1	—	P	SH1 SH2
3924	10 UN 537	<b>PLUG</b> , L.H. (4"-88 long) ... ..	1	—	C	SH2
3925	10 UN 529	<b>PLUG</b> , R.H. (3"-71 long) ... ..	1	—	C	SH2
	10 UN 541ND	<b>TUBE</b> , 3/4" o/d x 22 SWG x 10"-13 long ... ..	1	L.63	LM	SH2

UNDERCARRIAGE

NOSEWHEEL ARRANGEMENT

Ref. No.	Part No.	Description	No. off	Material Specification	Class of Store or L.M.	Plate No.
17	510-20 UN 106	<b>DOOR</b> , nose undercarriage, front (Special spares assembly complete with attachments) Note:— If required on A/C Serial Nos. XJ.477, XJ.478, XJ.480 or XJ.482, the door should be trimmed to suit the aperture	1	—	P	SH1 SH2
	10-20 UN 1155A	<b>DOOR</b> , nose undercarriage, front assembly (Mod. 841) Spares for:—	1	—	—	SH1 SH2
3913	10-20 UN 797A/ND	<b>BRACKET</b> , bearing, complete with bush, assembly Spares for:—	2	—	P	SH2
3914	10-20 UN 707	<b>BUSH</b> (See Repair section PA) ... ..	1	—	C	SH2
	10-20 UN 1129	<b>BRACKET</b> , lamp, Port, 16 SWG (Mod. 841)	1	L.72	LM	SH2
	10-20 UN 1130	<b>BRACKET</b> , lamp, Starboard, 16 SWG ... (Mod. 841) Attachments for 10-20 UN 1129 or 10-20 UN 1130, Bracket:—	1	L.72	LM	SH2
28D/1013284	AS.1248/2C	Bolt, 2 BA ... ..	2	—	C	
28D/15331	AS.3296/1B	Bolt, 4 BA ... ..	1	—	C	
28M/10288	AGS.2001/C/1	Nut, 2 BA ... ..	2	—	C	
28M/10327	AGS.2002/B/1	Nut, 4 BA ... ..	1	—	C	
28W/9419475	SP.15/C	Washer ... ..	2	—	C	
28W/9419402	SP.13/C	Washer ... ..	1	—	C	
	10-20 UN 713ND	<b>BRACKET</b> , lamp support, Port, 18 SWG ...	1	L.72	LM	SH2
	10-20 UN 714ND	<b>BRACKET</b> , lamp support, Starboard, 18 SWG	1	L.72	LM	SH2
	10-20 UN 833ND	<b>DOUBLER</b> , skin, at rear frame angle, 18 SWG	1	L.72	LM	SH2
16640	10-20 UN 1163A	<b>FAIRING</b> , blister, Port (Mod. 841) ... ..	1	—	C	SH2
16641	10-20 UN 1164A	<b>FAIRING</b> , blister, Starboard (Mod. 841) ...	1	—	C	SH2
	10-28 UN 709A	<b>LEVER</b> , actuating, assembly (For spares use 10-20 UN 901A/ND)	1	—	—	SH2
3915	10-20 UN 901A/ND	<b>LEVER</b> , actuating, assembly (Spares condition) Spares for:—	1	—	P	
3916	10-20 UN 763	<b>BUSH</b> (See Repair section PA) ... ..	2	—	C	SH2
28N/9156370	SP.21	<b>NIPPLE</b> , lubricating ... ..	2	—	C	SH2
	10-20 UN 711ND	<b>STRIP</b> , packing, under actuating lever, 16 SWG	1	L.72	LM	SH2
		Attachments for 10-20 UN 1155A, Door:—				
3917	10-20 UN 743A	Bolt, wing, 3/8" BSF ... ..	2	—	C	SH2
3918	10-20 UN 753	Pin, locking (safety pin type) ... ..	2	—	C	SH2

**UNDERCARRIAGE**

**NOSEWHEEL ARRANGEMENT**

Ref. No.	Part No.	Description	No. off	Material Specification	Class of Store or L.M	Plate No.
	—	<b>ELECTRICAL COMPONENTS</b> ... ..	—	—	—	
	—	(See sub-section EBQ)				
19465	10-20 UN 3163A	<b>LINK</b> , connecting, nose door, front, assembly ...	1	—	P	SH1
		(Mod. 1350)				SH3
		Spares for :—				
19460	10-20 UN 3155A	<b>BEARING</b> ... ..	2	—	C	SH3
28M/1007403	A27/ET	<b>NUT</b> , 1/2" BSF ... ..	1	—	C	
		Attachments for 10-20 UN 3163A, Link :—				
28D/1010031	A25/8E	Bolt, 1/4" BSF ... ..	1	—	C	
28M/1011467	A27/ES	Nut, 1/2" BSF ... ..	1	—	C	
	AVDEL LTD.					
28FP/9469299	A.409	Pin, "Pip," quick release ... ..	1	—	C	SH2
28P/9527619	SP.90/C7	Pin, split (SP.9/C8) ... ..	1	—	C	
28W/9419405	SP.15/E	Washer ... ..	1	—	C	
	—	<b>DOOR</b> , nose undercarriage, aft (See sub-section SK)	—	—	—	
	—	<b>ELECTRICAL COMPONENTS</b> (See sub-sections	—	—	—	
		EAR and EBK)				
	—	<b>FAIRING</b> , fixed, nosewheel (See sub-section SL) ...	—	—	—	
5K/2932	SP.40/A22	<b>GROMMET</b> , in L.H. aperture for door lock cross-tube	1	—	C	SH1
	STANDARD					
	INSULATOR CO.					
4159	3530/5/E/546/5	<b>GROMMET</b> , in R.H. aperture for door lock cross-tube	1	—	C	SH1
	—	<b>HYDRAULIC COMPONENTS</b> and installation on	—	—	—	
		nose-wheel leg and in nose-wheel bay				
		(See sub-section QQ)				
	—	<b>LATCH</b> , aft door, group ... ..	1	—	—	
2A/9501177	BRE. 1/2	<b>BEARING</b> , ball ... ..	2	—	C	SH1
2A/9500496	SFE. 3/8	<b>BEARING</b> , ball, thrust ... ..	2	—	C	SH1
3912	10 UN 637	<b>COLLAR</b> , distance ... ..	2	—	C	SH1
19476	10-20 UN 3191A	<b>LATCH</b> , L.H., assembly (Mod. 1350) ... ..	1	—	P	SH1
19477	10-20 UN 3192A	<b>LATCH</b> , R.H., assembly (Mod. 1350) ... ..	1	—	P	SH1
		Spares for :—				
19478	HOFFMANN N.7453	<b>BEARING</b> , ball ... ..	1	—	C	SH1
3909	10 UN 673	<b>PLATE</b> , bearing ... ..	1	—	C	SH1
3911	10 UN 519	<b>PIN</b> , pivoc, main door latch ... ..	2	—	C	SH1
		Attachments for 10 UN 519, Pin :—				
28D/1214348	AS.1242/16B	Bolt, 4 BA ... ..	1	—	C	
28M/9403519	A27/BP	Nut, 4 BA ... ..	1	—	C	
28W/9419474	SP.15/B	Washer ... ..	1	—	C	
3910	10 UN 665	<b>WASHER</b> , upper bearing ... ..	2	—	C	SH1
3933	10-20 UN 781	<b>LEVER</b> , door lock mechanism, inner, on cross shaft	1	—	C	SH1
		Attachments for 10-20 UN 781, Lever :—				
28D/9435710	A25/11C	Bolt, 2 BA ... ..	1	—	C	
28M/10288	AGS.2001/C/1	Nut, 2 BA ... ..	1	—	C	
28W/9419475	SP.15/C	Washer ... ..	1	—	C	

**UNDERCARRIAGE  
NOSEWHEEL ARRANGEMENT**

Ref. No.	Part No.	Description	No. off	Material Specification	Class of Store or L.M.	Plate No.
3920	10-20 UN 773	<b>LEVER</b> , door lock mechanism, outer, on cross shaft	2	—	C	SH1
		Attachments for 10-20 UN 773, Lever :—				
28D/1011019	A25/BC	Bolt, 2 BA ... ..	1	—	C	
28M/10288	AGS.2001/C/1	Nut, 2 BA ... ..	1	—	C	
28W/12588	SP.18/C	Washer ... ..	1	—	C	
19474	10-20 UN 3205A	<b>LEVER</b> , door operating, assembly (Mod. 1350)	1	—	P	SH1
		Spares for :—				
19475	HOFFMANN N.8713	<b>BEARING</b> , ball ... ..	2	—	C	SH1
3898	10-20 UN 583	<b>PIECE</b> , distance ... ..	1	—	C	SH1
		Attachments for 10-20 UN 3205A, Lever :—				
3899	10-20 UN 537	Bolt, special, 1/2" BSF ... ..	1	—	C	SH1
28M/1011467	A27/ES	Nut, 1/2" BSF ... ..	1	—	C	
28P/9527619	SP.90/C7	Pin, split (SP.9/C8) ... ..	1	—	C	
3900	10-20 UN 535	Plug ... ..	1	—	C	SH1
28W/9418920	SP.10/E	Washer ... ..	1	—	C	
19003	10-20 UN 3175A	<b>LINK</b> , door lock, between radius rod bridge member and crank case on nosewheel beam, assembly (Mod. 1350)	1	—	P	SH1
		Spares for :—				
19004	10-20 UN 3181A	<b>BEARING</b> , assembly ... ..	2	—	C	SH1
		Attachments for 10-20 UN 3175A, Link :—				
28D/1212827	AS.1242/9E	Bolt, 1/2" BSF ... ..	2	—	C	
28M/1011467	A27/ES	Nut, 1/2" BSF ... ..	2	—	C	
28P/9527619	SP.90/C7	Pin, split (SP.9/C8) ... ..	2	—	C	
28W/9419405	SP.15/E	Washer ... ..	4	—	C	
19468	10-20 UN 3167A	<b>LINK</b> , nose undercarriage fairing, assembly (Mod. 1350)	2	—	P	SH1 SH2
		Spares for :—				
19460	10-20 UN 3155A	<b>BEARING</b> , assembly ... ..	2	—	C	SH2
28M/1007403	A27/ET	<b>NUT</b> , 1/2" BSF ... ..	1	—	C	
		Attachments for 10-20 UN 3167A, Link :—				
28D/1010031	A25/8E	Bolt, 1/2" BSF ... ..	1	—	C	
28M/1011467	A27/ES	Nut, 1/2" BSF ... ..	1	—	C	
28W/9419405	SP.15/E	Washer ... ..	1	—	C	
15	S10-20 UN 104	<b>PANEL</b> , fairing, nosewheel (Special spares assembly, complete with attachments)	1	—	P	SH1 SH2
20249	10-20 UN 3233A	<b>LINK</b> , assembly (Mod. 1321)	2	—	P	SH1 SH2
		Spares for :—				
	10-20 UN 3159A	<b>EYE-END</b> , assembly ... ..	1	—	—	SH2
		Spares for :—				
19460	10-20 UN 3155A	<b>BEARING</b> , assembly ... ..	1	—	C	SH2
	10-20 UN 3231A	<b>LINK</b> , less eye-end, assembly ... ..	1	—	—	
		Spares for :—				
19460	10-20 UN 3155A	<b>BEARING</b> , assembly ... ..	1	—	C	SH2
28M/1007403	A27/ET	<b>NUT</b> , 1/2" BSF ... ..	1	—	C	
		Attachments for 10-20 UN 3233A, Link :—				
28D/1013174	AS.1242/7E	Bolt, 1/2" BSF ... ..	1	—	C	
28M/13935	A58/ES	Nut, 1/2" BSF ... ..	2	—	C	
28P/19233	SP.90/E6	Pin, split (SP.9/E8) ... ..	2	—	C	
28W/9419405	SP.15/E	Washer ... ..	2	—	C	

**UNDERCARRIAGE**  
**NOSEWHEEL ARRANGEMENT**

Ref. No.	Part No.	Description	No. off	Material Specification	Class of Store or L.M.	Place No.
	10-20 UN 567A/1	<b>PANEL</b> , fairing, forward, nose undercarriage bay, assembly Spares for :—	1	—	—	SH1 SH2
12821	10-20 UN 925	<b>BUSH</b> (See Repair section PA) ... ..	2	—	C	SH2
28N/9156370	SP.21	<b>NIPPLE</b> , lubrication ... ..	2	—	C	SH2
	10-20 UN 791ND	<b>SKIN</b> , 20 SWG ... ..	1	L.72	LM	SH2
28W/14185	AS.1903/E16	<b>WASHER</b> , saddle, lubrication nipple ... ..	2	—	C	
	10-20 UN 761	Attachments for 10-20 UN 567A/1, Panel :— Bolt, pivot ... ..	2	—	C	SH2
28P/19234	SP.90/E8	Pin, split (SP.9/E10) ... ..	2	—	C	
28S/16976	A55/E6	↑ Screw, grub, 1/4" BSF ... ..	2	—	C	
	10 UN 527	<b>PIECE</b> , distance, on door lock cross shaft between L.H., lever and housing bracket	1	L.56	LM	SH1
19463	10-20 UN 3149A	<b>ROD</b> , connecting, between door lock cross shaft and door lock crank, assembly (Mod. 1350) Spares for :—	1	—	P	SH1
19464	10-20 UN 3151A	<b>END-CAP</b> , assembly ... .. Spares for :—	1	—	P	SH2
19460	10-20 UN 3155A	<b>BEARING</b> , assembly ... ..	1	—	C	SH2
3930	10 UN 555	<b>GUIDE</b> , plunger ... ..	1	—	C	SH2
3928	10 UN 563	<b>NUT</b> , special, 7/16" BSF ... ..	1	—	C	SH2
3931	10 UN 549A	<b>PLUNGER</b> , assembly ... ..	1	—	C	SH2
	10 UN 561	<b>PLUG</b> ... ..	1	S.96	—	SH2
	10 UN 551ND	<b>TUBE</b> , 3/8" o/d x 12 SWG x 10"-85 long ... ..	1	T.45	—	SH2
3929	10 UN 553	<b>SPRING</b> ... ..	1	—	C	SH2
3932	10 UN 547	<b>STOP</b> , spring ... ..	1	—	C	SH2
	10 UN 567ND	<b>TUBE</b> , main, bare, 1/2" o/d x 20 SWG x 12"-2 long Attachments for 10 UN 567ND, Tube :—	1	L.63	LM	SH2
26DV/7618	DHS.94/4/80	Pin, ground steel, 1/2" dia. ... ..	3	—	C	SH2
	10-20 UN 3149A, Rod :—	Attachments for 10-20 UN 3149A, Rod :— Bolt, 1/2" BSF ... ..	2	—	C	
28D/1011242	A25/7E	Nut, 1/2" BSF ... ..	2	—	C	
28M/13935	A58/ES	Pin, split (SP.9/C8) ... ..	2	—	C	
28P/9527619	SP.90/C7	Washer ... ..	2	—	C	
28V/9419405	SP.15/E					
19469	10-20 UN 3209A	<b>ROD</b> , connecting, between door operating lever and main door, assembly (Mod. 1350) Spares for :—	1	—	P	SH1 SH3
19470	10-20 UN 3203A	<b>EYE-END</b> , assembly ... .. Spares for :—	1	—	P	SH3
19471	HOFFMANN N.3113	<b>BEARING</b> , ball ... ..	1	—	C	
	10-20 UN 3201A	<b>EYE-END</b> , assembly ... .. Spares for :—	1	—	—	SH3
19471	HOFFMANN N.3113	<b>BEARING</b> , ball ... ..	1	—	C	
	10-20 UN 3201A, Eye-end :—	Attachments for 10-20 UN 3201A, Eye-end :— Pin, ground steel, 5/16" dia. ... ..	4	—	C	SH2
26DV/8735	DHS.94/5/80					
28M/1007404	A27/JT	<b>NUT</b> , 3/8" BSF ... ..	1	—	C	
3876	10-20 UN 531	<b>PLUG</b> , adjuster ... ..	1	—	C	SH3
4153	DHS.94/5/65	Attachments for 10-20 UN 531, Plug :— Pin, ground steel, 5/16" dia. ... ..	4	—	C	SH3

**UNDERCARRIAGE  
NOSEWHEEL ARRANGEMENT**

Ref. No.	Part No.	Description	No. off	Material Specification	Class of Score or LM	Plate No.
	10-20 UN 861ND	<b>TUBE</b> , 1/2" o/d x 20 SWG x 6"·25 long ...	1	L.63	LM	SH3
		Attachments for 10-20 UN 3209A Rod :—				
28D/1011258	A25/8G	Bolt, 5/16" BSF ...	1	—	C	
28D/1018884	A25/9G	Bolt, 5/16" BSF ...	1	—	C	
28M/5808571	A27/GS	Nut, 5/16" BSF ...	2	—	C	
28P/9527619	SP.90/C7	Pin, split (SP.9/C8)	2	—	C	
28W/9419476	SP.15/G	Washer ...	2	—	C	
19461	10-20 UN 3171A	<b>ROD</b> , connecting door lock mechanism between latch and cross tube lever, assembly (Mod. 1350) Spares for :—	2	—	P	SH1 SH3
19462	10-20 UN 3173A	<b>EYE-END</b> , assembly ... Spares for :—	1	—	P	SH3
19460	10-20 UN 3155A	<b>BEARING</b> , assembly ...	1	—	C	SH3
28P/9528015	SP.90/G8	<b>PIN</b> , split (SP.9/G10)	1	—	C	
3873	10 UN 525	<b>PLUG</b> , adjuster ...	1	—	C	SH3
		Attachments for 10 UN 525, Plug :—				
2044	DHS.94/4/65	Pin, ground steel, 1/2" dia. ...	3	—	C	SH3
	10 UN 533ND	<b>TUBE</b> , 1/2" o/d x 22 SWG x 12"·8 long ...	1	L.63	LM	SH3
		Attachments for 10-20 UN 3171A Rod :—				
28D/1010031	A25/8E	Bolt, 1/2" BSF ...	2	—	C	
28M/1011467	A27/ES	Nut, 1/2" BSF ...	2	—	C	
28P/9527619	SP.90/C7	Pin, split (SP.9/C8)	2	—	C	
28W/9419405	SP.15/E	Washer ...	6	—	C	
	—	<b>ROD</b> , radius, nosewheel (See sub-section SM) ...	—	—	—	
19526	10-20 UN 3145A	<b>STRUT</b> , spring, nosewheel steering jack, assembly (Drg. No. 10-20 S 6611) (Mod. 1350) Spares for :—	1	—	P	SH1 SH3
3940	10-20 UN 197	<b>BUSH</b> ...	1	—	C	SH3
	10-20 UN 965	<b>COLLAR</b> , distance, 0"·802 - 0"·804 o/d x 0"·6015 - 0"·6025 i/d x 0"·45 long	1	L.65	LM	SH3
19527	10-20 UN 3141A	<b>EYE-END</b> , assembly ... Spares for :—	1	—	P	SH3
19460	10-20 UN 3155A	<b>BEARING</b> , assembly ...	1	—	C	SH3
3937	10-20 UN 199	<b>NUT</b> , plunger end ...	1	—	C	SH3
		Attachments for 10-20 UN 199, Nut :—				
28P/19223	SP.90/B5	Pin, split (SP.9/B6)	1	—	C	
2227	DHS.983/E	<b>NUT</b> , 1/2" BSF ...	1	—	C	SH3
3939	10-20 UN 193	<b>NUT</b> , retaining plunger ...	1	—	C	SH3
		Attachments for 10-20 UN 193, Nut :—				
28S/1008152	A31/B6	Screw, 4 BA ...	2	—	C	

**UNDERCARRIAGE**  
**NOSEWHEEL ARRANGEMENT**

Ref. No.	Part No.	Description	No. off	Material Specification	Class of Store or L.M.	Place No.
3941	10-20 UN 195	<b>PLUNGER</b> ... ..	1	—	C	SH3
10308	10-20 UN 923	<b>SLEEVE</b> (Mod. 225) ... ..	1	—	C	SH3
12314	10-20 UN 961	<b>SPRING</b> ... ..	1	—	C	SH3
		Attachments for 10-20 UN 3145A, Strut, at steering Jack :—				
28D/1010031	A25/8E	Bolt, 1/4" BSF ... ..	1	—	C	
28M/1011467	A27/ES	Nut, 1/4" BSF ... ..	2	—	C	
28P/9527619	SP.90/C7	Pin, split (SP.9/C8) ... ..	2	—	C	
28VV/9418920	SP.10/E	Washer ... ..	2	—	C	
		(For attachments at nose wheel compression unit, see sub-section "SJ")				
19466	10-20 UN 3137A	<b>TIE-ROD</b> , door mechanism, between bell crank on radius rod and door operating lever, assembly (Mod. 1350)	1	—	P	SH1 SH3
		Spares for :—				
	10-20 UN 3139A	<b>EYE-END</b> , complete with ball ... ..	2	—		SH3
		Attachments for 10-20 UN 3139A, Eye-end :—				
26DV/7364	DHS.94/5/95	Pin, ground steel, 5/8" dia ... ..	4	—	C	SH3
		Attachments for 10-20 UN 3137A, Tie-rod :—				
28D/1011302	A25/10J	Bolt, 3/8" BSF ... ..	1	—	C	
28M/1011476	A27/JS	Nut, 3/8" BSF ... ..	1	—	C	
7149	10-20 UN 831	Pin, shackle ... ..	1	—	C	SH3
28P/9527619	SP.90/C7	Pin, split (SP.9/C8) ... ..	2	—	C	
28VV/9419477	SP.15/J	Washer ... ..	2	—	C	
19467	10-20 UN 3127A	<b>TIE-ROD</b> , door operating mechanism, between nose-wheel leg and cross shaft, assembly (Mod. 1350)	1	—	P	SH1 SH3
		Attachments for 10-20 UN 3127A, Tie-rod :—				
28D/1212752	A25/12J	Bolt, 3/8" BSF ... ..	1	—	C	
28M/1011476	A27/JS	Nut, 3/8" BSF ... ..	1	—	C	
28M/15199	A58/LS	Nut, 1/4" BSF ... ..	1	—	C	
28P/9527619	SP.90/C7	Pin, split (SP.9/C8) ... ..	1	—	C	
28P/19234	SP.90/E8	Pin, split (SP.9/E10) ... ..	1	—	C	
28VV/9419477	SP.15/J	Washer ... ..	1	—	C	
28VV/9419478	SP.15/L	Washer ... ..	1	—	C	
	—	<b>UNIT</b> , compression, nose wheel (See sub-section "SJ")	—	—	—	
	10-20 UN 313A/ND	<b>WHEEL</b> complete, assembly ... ..	1	—	—	SH1
	DUNLOP					
27A/4028	DR.7195/T	<b>COVER</b> , tubeless ... ..	1	—	C	SH1
	DUNLOP					
27A/4018	AH.50488	<b>WHEEL</b> , (For Spares see A.P.4515C, Vol. 3, Pt. 1, Sect. 2, Chap. 61)	1	—	P	SH1

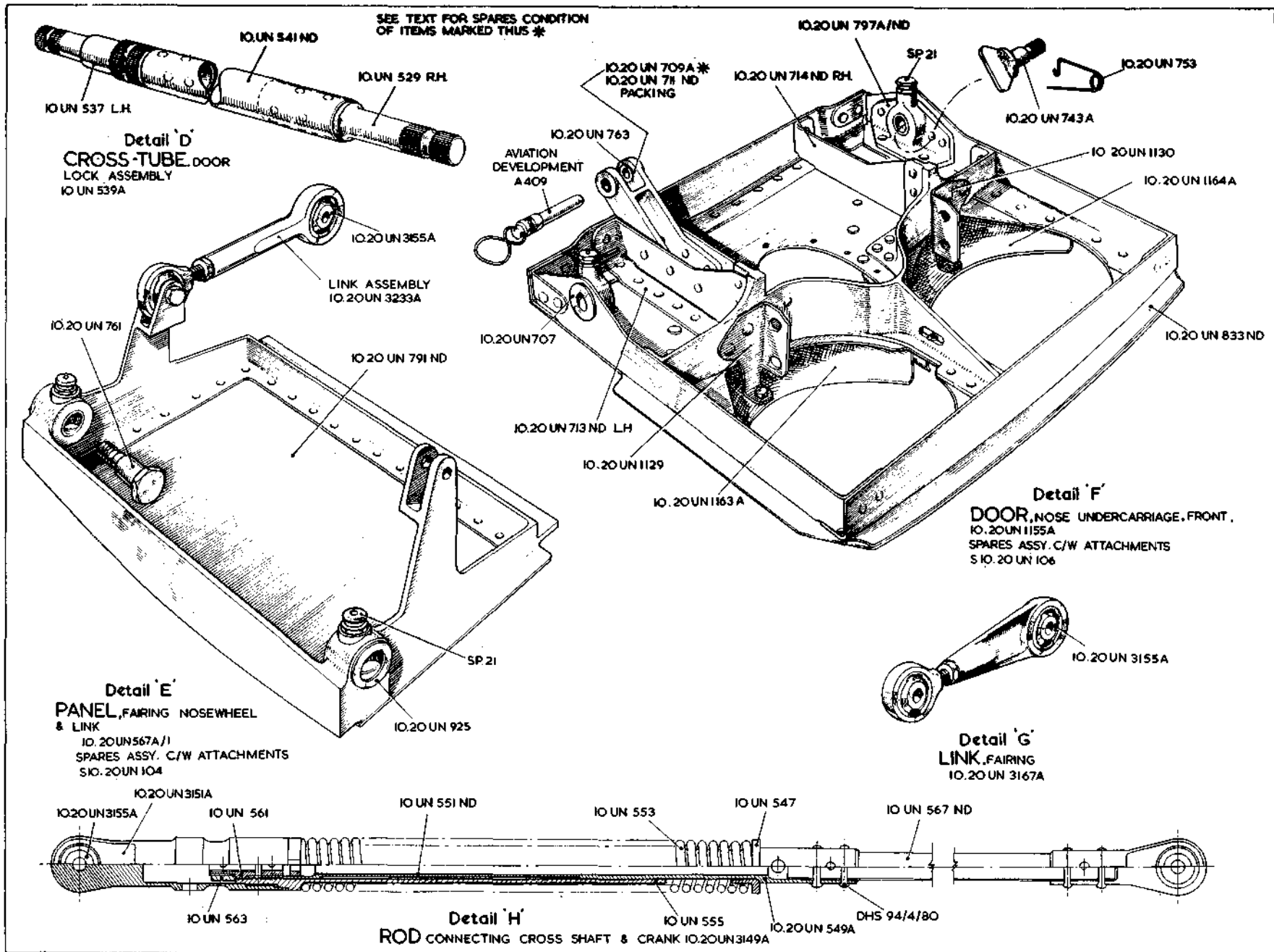




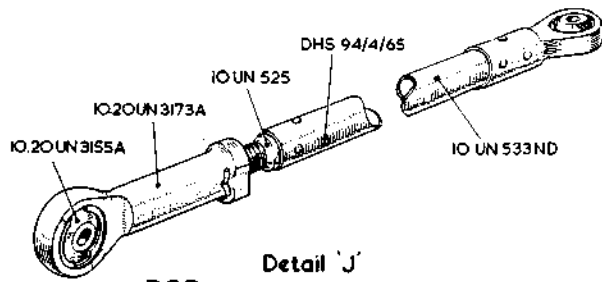
SH.2

UNDERCARRIAGE  
NOSE WHEEL ARRANGEMENT  
DETAILS

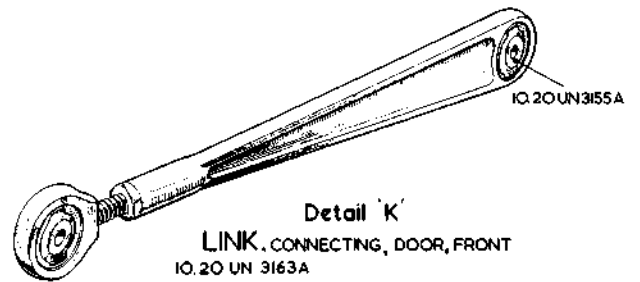
RESTRICTED



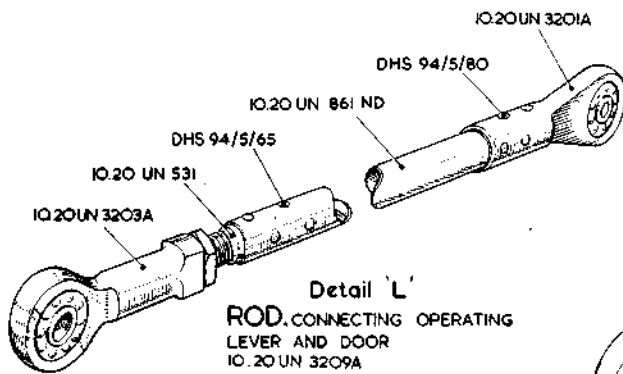
SH.2  
(A.L. 483)



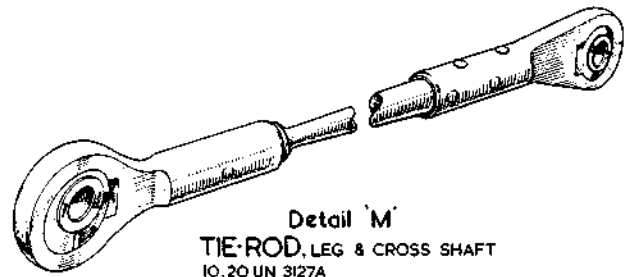
**Detail 'J'**  
 ROD, CONNECTING, MECHANISM  
 LATCH AND CROSS TUBE LEVER  
 IO.20 UN 3171A



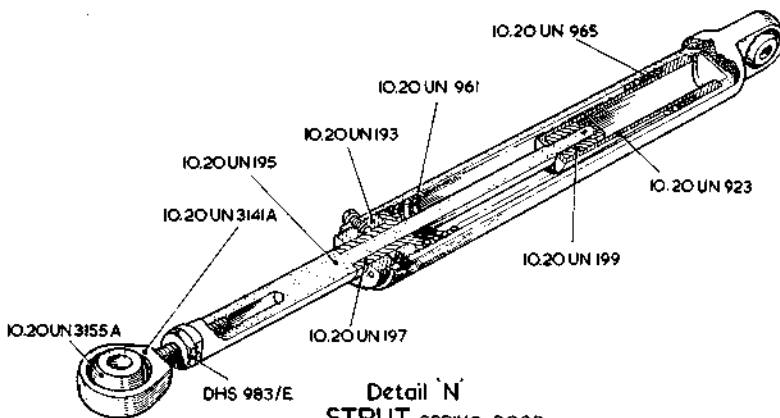
**Detail 'K'**  
 LINK, CONNECTING, DOOR, FRONT  
 IO.20 UN 3163A



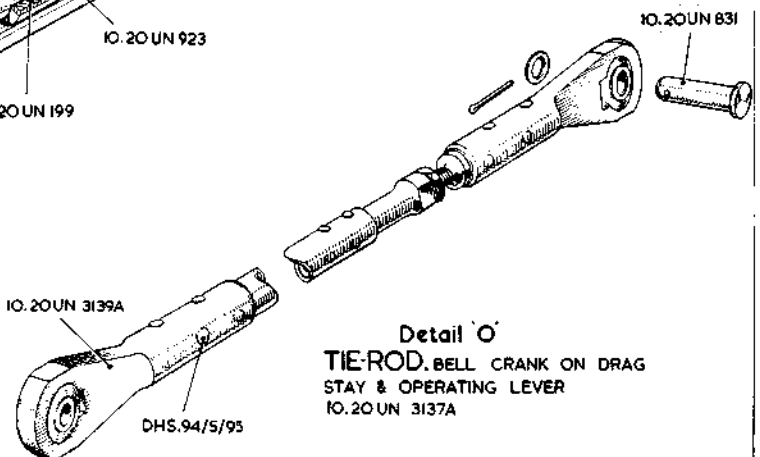
**Detail 'L'**  
 ROD, CONNECTING OPERATING  
 LEVER AND DOOR  
 IO.20 UN 3209A



**Detail 'M'**  
 TIE-ROD, LEG & CROSS SHAFT  
 IO.20 UN 3127A



**Detail 'N'**  
 STRUT, SPRING, DOOR  
 WHEEL STEERING JACK  
 IO.20 UN 3145A



**Detail 'O'**  
 TIE-ROD, BELL CRANK ON DRAG  
 STAY & OPERATING LEVER  
 IO.20 UN 3137A



This file was downloaded  
from the RTFM Library.

Link: [www.scottbouch.com/rtfm](http://www.scottbouch.com/rtfm)

Please see site for usage terms,  
and more aircraft documents.