

**UNDERCARRIAGE**

**RADIUS-ROD, NOSEWHEEL**

Ref. No.	Part No.	Description	No. off	Material Specification	Class of Store or L.M.	Plate No.	
							1
95	S10-20 UN 102	<b>RADIUS-ROD, NOSEWHEEL UNDERCARRIAGE</b> (Special spares assembly, complete with attachments) (Pre Mod. 1368)	1	—	P	SM1	
203	S10-22 UN 2	<b>RADIUS-ROD, NOSEWHEEL UNDERCARRIAGE</b> (Special spares assembly, complete with attachments) (Mod. 1368)	1	—	P	SM1	
	—	<b>RADIUS-ROD</b> , less electrical components, group (Drg. 10-20 UN 817A) (Mod. 43)	1	—	—	SM1	
1320	10-20 UN 269	<b>BEARING</b> , cross tube ... ..	2	—	C	SM1	
1324	10-20 UN 277A	<b>BELL-CRANK</b> , door mechanism, assembly ... Spares for:—	1	—	P	SM1	
	10-20 UN 175A	<b>BEARING</b> , needle roller, main, assembly ...	2	—	—	SM1	
9558	DHS.418/1/1/23	<b>BUSH</b> , plain } (See Repair section PA)	2	—	—	SM1	
1460	DHS.418/2/1/29	<b>BUSH</b> , plain }	2	—	C	SM1	
	—	<b>BOLT</b> , cam and lock link pivot, group ...	1	—	—	SM1	
1312	10-20 UN 257	<b>BOLT</b> , cam and lock link pivot ... ..	1	—	C	SM1	
1313	10-20 UN 327	<b>NUT</b> , special ... ..	1	—	C	SM1	
1311	10-20 UN 329	<b>TUBE</b> , distance ... ..	1	—	C	SM1	
1310	10-20 UN 325	<b>WASHER</b> , spacing, between cam and lock links	2	—	C	SM1	
	—	<b>BOLT</b> , cross tube, for attachment to fuselage, group	1	—	—	SM1	
1339	10-20 UN 265	<b>BOLT</b> , cross tube ... ..	2	—	C	SM1	
	10 UN 255	<b>TUBE</b> , distance, on bolt (1/2" o/d x 17 SWG x 25 long) Attachment for 10 UN 255, Tube:— Pin, split (SP.9/C8) ... ..	2	T.26	LM	SM1	
28P/9527619	SP.90/C7		1	—	C		
	1322	10-20 UN 259	<b>BOLT</b> , spacer, between L.H. and R.H. upper links Attachments for 10-20 UN 259, Bolt:—	1	—	C	SM1
28M/1011470	A27/GT	Nut, 5/16" BSF ... ..	2	—	C		
7141	10-20 UN 819	Shim ... ..	QR	Commf. Spr. Steel	C	SM1	
28W/9419455	SP.10/G	Washer ... ..	2	—	C		
	1316	10-20 UN 293	<b>BOLT</b> , stop, lower link and cam ... .. Attachments for 10-20 UN 293, Bolt:—	3	—	C	SM1
28M/1011470	A27/GT	Nut, 5/16" BSF ... ..	1	—	C		
1317	10 UN 369	Shim ... ..	QR	Commf. Spr. Steel	C	SM1	
	7141	10-20 UN 819	Shim, at lower link stop only (maximum of 4 off)	QR	Commf. Spr. Steel	C	SM1
28W/9419455	SP.10/G	Washer ... ..	1	—	C		
	1321	10-20 UN 271	<b>BOLT</b> , striker, micro-switch ... .. Attachment for 10-20 UN 271, Bolt:—	2	—	C	SM1
28M/1006473	A27/CT	Nut, 2 BA ... ..	1	—	C		
	1309	10-20 UN 263A	<b>CAM</b> , assembly ... .. Spares for:—	1	—	P	SM1
	2119	10 UN 299A	<b>BEARING</b> , needle roller, assembly ... ..	1	—	C	SM1
	AS.2371/E/35	<b>BUSH</b> , knurled ... ..	1	S.2 or S.11	—		

UNDERCARRIAGE  
RADIUS-ROD, NOSEWHEEL

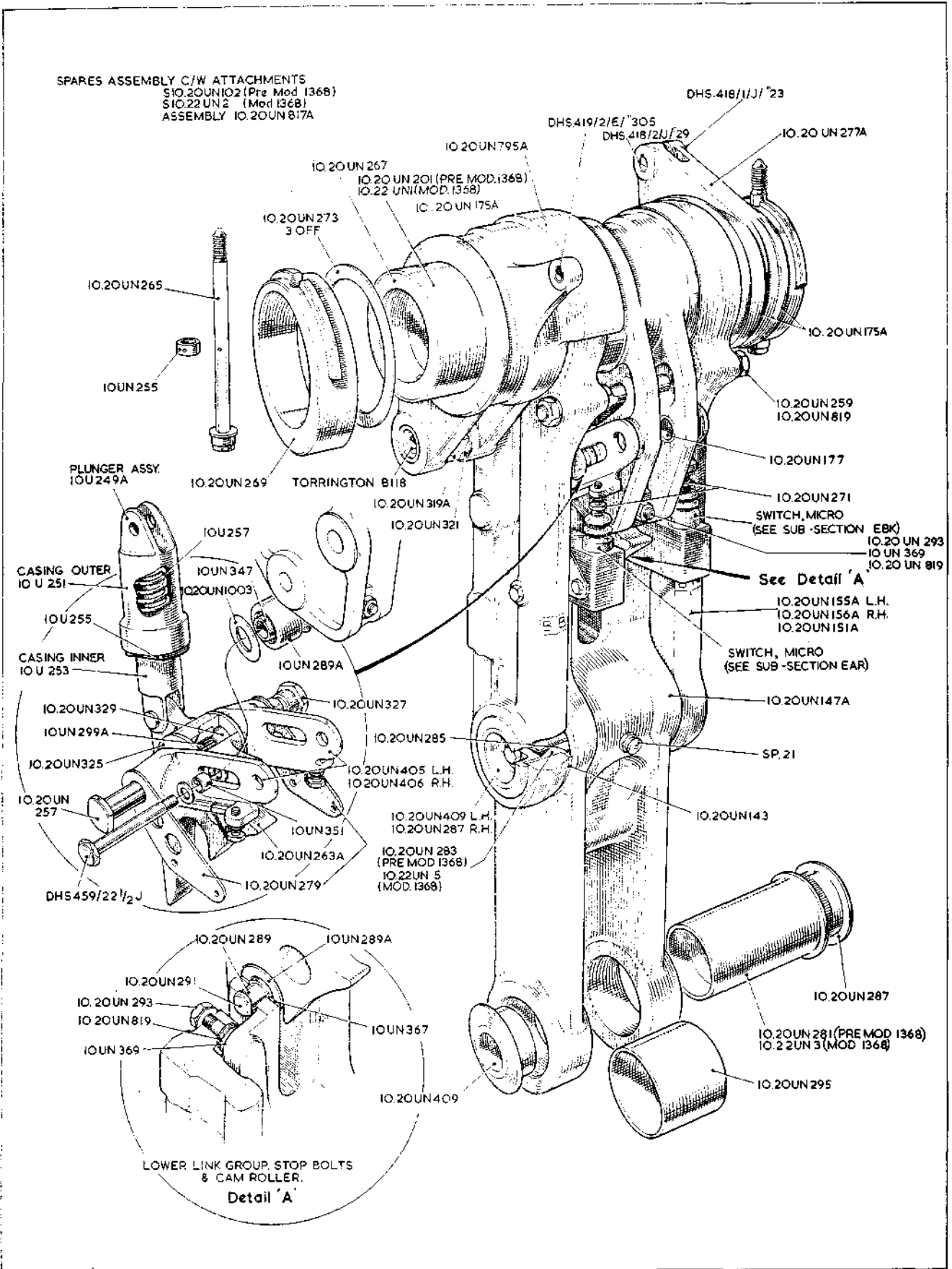
Ref. No.	Part No.	Description	1 2 3 4 5 6						No. off	Material Specification	Class of Score or L.M	Plate No.
			1	2	3	4	5	6				
	—	<b>ELECTRICAL COMPONENTS</b> (See sub-sections EAR and EBK)							—	—	—	
1314	10-20 UN 405	<b>LINK</b> , lock, slotted, L.H. ... ..						1	—	C	SM1	
1315	10-20 UN 406	<b>LINK</b> , lock, slotted, R.H. ... ..						1	—	C	SM1	
19849	10-20 UN 3213A	<b>LINK</b> , lower, assembly ... ..						1	—	P	SM1	
		Spares for:—										
1258	10-20 UN 143	<b>BUSH</b> , flanged ... ..						2	—	C	SM1	
28N/9156370	SP.21	<b>NIPPLE</b> , lubricating ... ..						1	—	C	SM1	
1328	10-20 UN 155A	<b>LINK</b> , upper, L.H., assembly ... ..						1	—	P	SM1	
1329	10-20 UN 156A	<b>LINK</b> , upper, R.H., assembly ... ..						1	—	P	SM1	
		Spares for:—										
1330	10-20 UN 151A	<b>BEARING</b> , needle roller ... ..						1	—	C	SM1	
8340	10-20 UN 795A	<b>MEMBER</b> , bridge, assembly ... ..						1	—	P	SM1	
		Spares for:—										
	TORRINGTON B118	<b>BEARING</b> , needle roller, for jack trunnion... ..						2	—	—	SM1	
	10-20 UN 175A	<b>BEARING</b> , needle roller, main ... ..						4	—	—	SM1	
1326	10-20 UN 177	<b>BUSH</b> , ground locking pin (See Repair section PA)						2	—	C	SM1	
8341	DHS.419/2/E/-305	<b>BUSH</b> , plain (See Repair section PA) ... ..						1	—	C	SM1	
	10-20 UN 319A	<b>TRUNNION</b> , jack attachment, assembly ... ..						1	—	—	SM1	
	10-20 UN 321	<b>WASHER</b> , spacing, for jack trunnion ... ..						2	S.510 or S.511	—	SM1	
	—	<b>PIN</b> , pivot, connecting upper links to lower link, group						1	—	—		
28D/19180	A25/48G	<b>BOLT</b> , $\frac{3}{16}$ " BSF ... ..						1	—	C		
28M/5808571	A27/GS	<b>NUT</b> , $\frac{3}{16}$ " BSF ... ..						1	—	C		
1332	10-20 UN 283	<b>PIN</b> , hinge (Pre Mod. 1368) ... ..						1	—	C	SM1	
18950	10-22 UN 5	<b>PIN</b> , hinge (Mod. 1368) ... ..						1	—	C	SM1	
28P/9527619	SP.90/C7	<b>PIN</b> , split (SP.9/C8) ... ..						1	—	C		
1335	10-20 UN 409	<b>PLUG-END</b> , L.H. ... ..						1	—	C	SM1	
1334	10-20 UN 287	<b>PLUG-END</b> , R.H. ... ..						1	—	C	SM1	
1333	10-20 UN 285	<b>TUBE</b> , distance ... ..						1	—	C	SM1	
	10-20 UN 279	<b>PLATE</b> , mounting, micro-switch ... ..						2	S.510	—	SM1	
		Attachments for 10-20 UN 279, Plate:—										
28D/1011011	A25/8B	Bolt, 4 BA ... ..						1	—	C		
28D/13185	A25/17B	Bolt, 4 BA ... ..						1	—	C		
28M/10327	AGS.2002/B/1	Nut, 4 BA ... ..						2	—	C		
28V/9419401	SP.10/B	Washer ... ..						2	—	C		
1319	10-20 UN 267	<b>PLUG</b> , end, cross-tube ... ..						2	—	C	SM1	
1327	10 UN 249A	<b>PLUNGER</b> , spring, cam operating, assembly ... ..						1	—	P	SM1	
		Spares for:—										
	10 U 253	<b>CASING</b> , inner ... ..						1	DTD.423	—	SM1	
	10 U 251	<b>CASING</b> , outer ... ..						1	DTD.423	—	SM1	
	10 U 255	<b>NUT</b> , retaining, inner casing ... ..						1	S.1	—	SM1	
	10 U 257	<b>SPRING</b> ... ..						1	DTD.5	—	SM1	
		Attachments for 10 U 249A, Plunger:—										
28N/9153393	AGS.899/4	Collar ... ..						2	—	C		
28P/7000186	SP.4Y/D11	Pin, shackle ... ..						2	—	C		
28P/9527619	SP.90/C7	Pin, split (SP.9/C8) ... ..						2	—	C		

UNDERCARRIAGE

RADIUS-ROD, NOSEWHEEL

Ref. No.	Part No.	Description	No. off						Material Specification	Class of Store or L.M	Plate No.
			1	2	3	4	5	6			
	—	<b>ROLLER</b> , cam, at bridge member, group ...						1	—	—	
1305	10 UN 289A	<b>BEARING</b> , needle roller, assembly ...						1	—	C	SM1
1459	DHS.459/22½J	<b>BOLT</b> , ⅜" BSF ...						1	—	C	SM1
28M/14833	A58/JS	<b>NUT</b> , ⅜" BSF ...						1	—	C	
28P/9527619	SP.90/C7	<b>PIN</b> , splic (SP.9/C8) ...						1	—	C	
1306	10 UN 347	<b>TUBE</b> , distance, in roller ...						1	—	C	SM1
1308	10 UN 351	<b>TUBE</b> , distance, at lock link slots ...						2	—	C	SM1
13421	10-20 UN 1003	<b>WASHER</b> , spacing ...						2	—	C	
28W/9419466	SP.13/J	<b>WASHER</b> ...						4	—	C	
	—	<b>ROLLER</b> , cam, at lower link, group ...						1	—	—	
1305	10 UN 289A	<b>BEARING</b> , needle roller, assembly ...						1	—	C	SM1
1338	10-20 UN 291	<b>BOLT</b> , special ...						1	—	C	SM1
28M/5808573	A27/CS	<b>NUT</b> , 2 BA ...						1	—	C	
28P/9527619	SP.90/C7	<b>PIN</b> , splic (SP.9/C8) ...						1	—	C	
1337	10-20 UN 289	<b>SHAFT</b> , eccentric ...						1	—	C	SM1
1336	10 UN 367	<b>WASHER</b> , spacing ...						2	—	C	SM1
1318	10-20 UN 201	<b>TUBE</b> , cross (Pre Mod. 1368) ...						1	—	C	SM1
18951	10-22 UN 1	<b>TUBE</b> , cross (Mod. 1368) ...						1	—	C	SM1
1323	10-20 UN 273	<b>WASHER</b> , spacing, on cross tube ...						3	—	C	SM1
		Attachments for Radius-rod :—									
28D/13057	A25/34G	Bolt, ⅜" BSGF ...						1	—	C	
28M/5808571	A27/GS	Nut, ⅜" BSF ...						1	—	C	
4229	10-20 UN 281	Pin, hinge (Pre Mod. 1368) ...						1	—	C	SM1
18947	10-22 UN 3	Pin, hinge (Mod. 1368) ...						1	—	C	SM1
28P/9527619	SP.90/C7	Pin, splic (SP.9/C8) ...						1	—	C	
1334	10-20 UN 287	Plug, end ...						1	—	C	SM1
1335	10-20 UN 409	Plug, end, at jack side (L.H. side) ...						1	—	C	SM1
4228	10-20 UN 295	Sleeve, distance ...						1	—	C	SM1
28W/9419455	SP.10/G	Washer ...						1	—	C	





SM.1

# UNDERCARRIAGE

## RADIUS ROD, NOSE WHEEL.

SM.1

[A.L. 65]



This file was downloaded from the RTFM Library.

Link: [www.scottbouch.com/rtfm](http://www.scottbouch.com/rtfm)

Please see site for usage terms, and more aircraft documents.

