

INSTALLATION OF T.R.1934, T.R.2002 AND TELEBRIEF

Ref. No.	Part No.	Nomenclature						No. Off	M.R.	Cl. of St.	Place No.
		1	2	3	4	5	6				
		INSTALLATION OF V.H.F. RADIO (T.R.1934 and T.R.2002) AND TELEBRIEF (12 R 429) (Mod. Ven. 409)									PA.1
10B/16574	†	AERIAL , whip, type 228, in Port boom						1	—	A.	
10B/16566	†	AERIAL , whip, type 226, in Starboard boom for T.R.2002						1	—	A.	
28D/12566	A25/6C	Attaching parts for 10B/16574 and 10B/16566, Aerials :—						4	—	C.	
28M/10288	AGS.2001/C/1	Bolt, 2 BA						4	—	C.	
		Nut, 2 BA						4	—	C.	
5CZ/430	†	BLOCK , terminal						5	—	B.	PA.1
5CZ/432	†	BLOCK , terminal						3	—	B.	PA.1
	12 R 403A	BOX , relay complete with wiring for T.R.2002, mounted on Port side bulkhead No. 3						1	—	—	PA.3
	12 R 223A	BOX , relay						1	—	—	PA.3
5K/2871	SP.40/A12	GROMMET						3	—	—	
5CW/3945	†	SWITCH , relay, magnetic, type S., No. 4 ...						1	—	A.	
		Attaching parts for 5CW/3945, Switch :—									
28D/12137	AS.1246/4B	Bolt, 4 BA						2	—	C.	
28M/10287	AGS.2001/B/1	Nut, 4 BA						2	—	C.	
28W/12306	SP.15/B	Washer						2	—	C.	
	DHS.374/C	TERMINAL , earth						1	—	—	
		Attaching parts for DHS.374/C, Terminal :—									
28D/12512	AS.1246/1C	Bolt, 2 BA						1	—	C.	
28M/10288	AGS.2001/C/1	Nut, 2 BA						1	—	C.	
28W/12296	SP.15/C	Washer						1	—	C.	
	12 R 225A	CABLE , relay						1	—	—	PA.3
5E/3042	†	CABLE , Unipren, 24 amp.						QR	—	C.	
10H/397		PLUG , type W.204						1	—	C.	
5K/2578	No. 3	SLEEVE , binding						2	—	C.	
		Attaching parts for 12 R 225A, Cable :—									
28D/11937	AS.1246/1B	Bolt, 4 BA						4	—	C.	
28M/10287	AGS.2001/B/1	Nut, 4 BA						4	—	C.	
28W/12306	SP.15/B	Washer						4	—	C.	
	12 R 227A	CABLE , relay						1	—	—	PA.3
5E/3038	†	CABLE , Unipren, 6 amp.... ..						QR	—	C.	
5E/3090	†	CABLE , Uniprenmet, 6 amp.						QR	—	C.	
5H/24	AS.2762	FERRULE						1	—	C.	
10H/392	†	PLUG , type W.199						1	—	C.	
5K/107067	No. 3	SLEEVE , binding						1	—	C.	
5K/107066	No. 2	SLEEVE , binding						2	—	C.	
5F/2143	†	TUBING , polyvinyl 1/4" i/d.						QR	—	C.	
		Attaching parts for 12 R 227A, Cable :—									
28D/11937	AS.1246/1B	Bolt, 4 BA						4	—	C.	
28M/10287	AGS.2001/B/1	Nut, 4 BA						4	—	C.	
28W/12306	SP.15/B	Washer						4	—	C.	
5E/3038	†	CABLE , Unipren, 6 amp., relay link						QR	—	C.	
10HA/14124	†	CONNECTOR , type 823/50F/11, from relay to mic-tel socket on T.R.2002						1	—	B.	
10HA/14130	†	CONNECTOR , type 3932/1, from relay to mic-tel socket on T.R.1934						1	—	B.	
10HA/14129	†	CONNECTOR , type 3931/1 from relay to supply socket on T.R.1934						1	—	B.	

RADIO AND RADAR

INSTALLATION OF T.R.1934, T.R.2000 AND TELEBRIEF

Ref. No.	Part No.	Nomenclature						No. Off	M.R.	Cl. of St.	Plate No.
		1	2	3	4	5	6				
5H/24	AS.2672 12 R 373A DHS.31/36 DHS.31/37	FERRULE , relay connector and link cables ... LEAD , bonding for relay box, T.R.2002 ... CLIP ... CLIP ... Attaching parts for DHS.31/36 and DHS.31/37, Clips :—						4 1 1 1	— — — —	C. — C. C.	PA.3
28M/10287 28S/2857	AGS.2001/B/1 A32/B12	Nut, 4 BA ... Screw, 4 BA ...						2 2	— —	C. C.	
5H/25 5K/3394 5K/3355	AS.2673 AS.3360/B6B AS.3360/B4B	FERRULE ... LEAD , bonding ... LEAD , bonding ...						1 1 1	— — —	C. C. C.	
5K/107065	†	SLEEVE , binding for relay connector and link cables Attaching parts for 12 R 403A, Box :—						4	—	C.	
28D/11564 28W/12286	AS.1246/1C SP.15/C	Bolt, 2 BA ... Washer, 2 BA ...						4 4	— —	C. C.	
	12 R 393	BRACKET , for attachment of straps securing emergency battery on Starboard ammunition door Attaching parts for 12 R 393, Bracket :—						4	—	—	PA.2
28D/2784	A31/C28	Bolt, 2 BA ...						4	—	C.	
1643	12 R 41	BRACKET , for I/C socket, centre pressing, bulkhead No. 2 Attaching parts for 12 R 41, Bracket :—						1	—	C.	PA.1
28S/2857 28W/12305	A32/B12 SP.13/B	Screw, 4 BA ... Washer ...						2 2	— —	C. C.	
26FC/8939	N.001913A	BRACKET , for whip aerial in Port boom ... Attaching parts for N.001913A, Bracket :—						1	—	C.	PA.4
28D/8308	AS.1242/3C	Bolt, 2 BA ...						4	—	C.	
	12 R 269A	BRACKET , mounting, emergency battery for T.R.2002 on Starboard ammunition door						1	—	—	PA.2
7277	12 N 1407A	BRACKET , mounting terminal blocks on Port bracing tube in tank bay						1	M.R.	B.	PA.4
	12 N 1405A	BRACKET , mounting terminal blocks ...						1	—	—	PA.4
5CZ/430 5CZ/432	† †	BLOCK , terminal ... BLOCK , terminal ... Attaching parts for 5CZ/430 and 5CZ/432, Terminal Blocks :—						2 1	— —	B. B.	
28S/2816	AGS.33/A16	Screw, 6 BA ...						6	—	C.	
28E/14146	AS.487/11	CLIP , mounting terminal block bracket ... Attaching parts for AS.487/11, Clips :—						1	—	C.	
28D/12629	A25/8C	Bolt, 2 BA ...						2	—	C.	
	12 R 365	BRACKET , support, for mounting, for T.R.2002 on Port ammunition door						2	—	—	PA.4
7275 5H/3 5H/9	12 N 1181A AS.2635 AS.2603	BRACKET , telebrief relay mounting ... BLOCK , terminal ... BLOCK , terminal, cover ... Attaching parts for 5H/9, Cover :—						1 1 1	M.R. — —	A. C. C.	PA.3
28D/11540	AS.1246/2B	Bolt, 4 BA ...						2	—	C.	

INSTALLATION OF T.R.1934, T.R.2002 AND TELEBRIEF

Ref. No.	Part No.	Nomenclature						No Off	M.R.	Cl. of St.	Plate No.
		1	2	3	4	5	6				
5E/3038 5CW/3945	12 N 1183 † —	BRACKET						1	—	—	PA.3
		CABLE , link, telebrief, Unipren, 6 amp.						QR	—	C.	
		SWITCH , relay, magnetic, type S.4						1	—	A.	
		Attaching parts for 5CW/3945, Switch :—									
28D/12948	AS.1246/3B	Bolt, 4 BA						2	—	C.	
		Attaching parts for 12 N 1181A, Bracket :—									
28D/11540	AS.1246/2B	Bolt, 4 BA						1	—	C.	
28D/11937	AS.1246/1B	Bolt, 4 BA						1	—	C.	
28E/14037	AS.3180/4B	Clip, " P "						1	—	—	
28L/11067	AGS.2035/B	Lockwasher						1	—	C.	
	N.003457A	CABLE , between terminal blocks, forward end of Port boom to terminal blocks in rear fairing						1	—	—	PA.1
5E/3098	†	CABLE , Dupremnet, 6 amp.						QR	—	C.	
5E/3038	†	CABLE , Unipren, 6 amp.						QR	—	C.	
5K/107067	No. 3	SLEEVE , binding						2	—	C.	
5F/2034		TUBE , polyvinyl, 10 m/m.						QR	—	C.	
5F/2143		TUBE , polyvinyl, 8 m/m.						QR	—	C.	
	12 N 1229ND	CABLE , earth, from Tel-terminal at Mic-tel socket T.B. to earth terminal beneath dimmer switches						1	—	C.	PA.1
	12 R 283A	CABLE , for T.R.2002, from negative on emergency battery, to terminal block on Starboard ammunition door						1	—	—	PA.2
5E/3042	†	CABLE , Unipren, 24 amp.						QR	—	C.	
5H/24	AS.2672	FERRULE						1	—	C.	
5K/2577	No. 2	SLEEVE , binding						2	—	C.	
5K/	WE.570	TAG , terminal						1	—	C.	
—	DHS.373/5	TUBE , rubber, K.R.						QR	—	—	
	12 R 243A	CABLE , for T.R.2002, from positive on emergency battery to terminal block on Starboard ammunition door						1	—	—	PA.2
5E/3042	†	CABLE , Unipren, 24 amp.						QR	—	C.	
5H/26	AS.2674	FERRULE						1	—	C.	
5K/107066	No. 2	SLEEVE , binding						2	—	C.	
5K/	WE.555	TAG , terminal						1	—	C.	
—	DHS.373/3	TUBE , rubber, K.R.						QR	—	C.	
	12 R 245A	CABLE , for T.R.2002, from terminal block on Starboard ammunition door to earth						1	—	—	PA.2
5E/3042	†	CABLE , Unipren, 24 amp.						QR	—	C.	
5H/26	AS.2674	FERRULE						1	—	C.	
5K/107066	No. 2	SLEEVE , binding						2	—	C.	
5K/	WE.555	TAG , terminal						1	—	C.	
—	DHS.373/3	TUBE , rubber, K.R.						QR	—	C.	
	12 N 1157A	CABLE , from relay to terminal block						1	—	—	PA.3
	12 N 1159A	CABLE , from terminal block to relay						1	—	—	PA.3
	12 N 899A	CABLE , " Press to transmit", complete with switch on throttle lever						1	—	—	PA.1
5E/1611	†	CABLE , Dusheathsmall, 4 amp.						QR	—	C.	
5K/107066	No. 2	SLEEVE , binding						QR	—	C.	
5D/534	†	SWITCH						1	—	A.	

RADIO AND RADAR

INSTALLATION OF T.R.1934, T.R.2002 AND TELEBRIEF

Ref. No.	Part No.	Nomenclature						No. Off	M.R.	Cl. of St.	Plate No.
		1	2	3	4	5	6				
7279	12 R 123A	CABLE , telebrief relay, forward of bulkhead No. 2 to terminal block on Port bracing in tank bay						1	MR	C.	PA.4
5E/3098	†	CABLE , Duprenmet, 6 amp.						QR	—	C.	
5E/3038	†	CABLE , Unipren, 6 amp.						QR	—	C.	
5H/24	AS.2672	FERRULE						3	—	C.	
5H/26	AS.2674	FERRULE						1	—	C.	
5K/107067	No. 3	SLEEVE , binding						2	—	C.	
5F/2034	—	TUBE , polyvinyl, 3/8" i/d.						QR	—	C.	
5F/2143	—	TUBE , polyvinyl, 1/2" i/d.						QR	—	C.	
	12 R 125A	CABLE , terminal block in tank bay to terminal block Port boom						1	—	—	PA.4
5E/3098	—	CABLE , Duprenmet, 6 amp.						QR	—	C.	
5E/3038	—	CABLE , Unipren, 6 amp.						QR	—	C.	
5K/107067	No. 3	SLEEVE , binding						2	—	C.	
5F/2034	—	TUBE , polyvinyl, 3/8" i/d.						QR	—	C.	
	DHS.29/4	CLIP , saddle, securing cables, to Mic-tel terminal blocks						2	—	—	
		Attaching parts for DHS.29/4, Clip :—									
28M/10287	AGS.2001/B/1	Nut, 4 BA						2	—	C.	
28S/2863	A32/B16	Screw, 4 BA						2	—	C.	
28W/12306	SP.15/B	Washer						2	—	C.	
	12 R 379A	CLIP , securing emergency battery, Starboard ammunition door						2	—	—	PA.2
	DHS.86/Mk.7	CLIP , securing surplus cable between No. 1 bulkhead and instrument panel						3	—	C.	
28E/10028	AS.2295/4	CLIP , spring, securing cables under instrument panel						3	—	C.	
28E/14069	AS.3181/7B	CLIP , tubular, for cables						4	—	C.	
28E/14036	AS.3180/3B	CLIP , tubular, for cables						2	—	C.	
28E/14040	AS.3180/7B	CLIP , tubular, for cables						6	—	C.	
28E/14041	AS.3180/8B	CLIP , tubular, for cables						3	—	C.	
28E/14043	AS.3180/10B	CLIP , tubular, for cables						4	—	C.	
28E/14811	AS.3180/18B	CLIP , tubular, for cables						1	—	C.	
28E/14053	AS.3180/6C	CLIP , tubular, for cables						1	—	C.	
28E/14054	AS.3180/7C	CLIP , tubular, for cables						1	—	C.	
10HA/9229	†	CONNECTOR , bulkhead No. 2 to electrical controller unit						1	—	A.	
10HA/12085	†	CONNECTOR , bulkhead No. 2, to relay and terminal blocks						1	—	A.	
	AS.3360/B9B	CONNECTOR , bonding... ..						1	—	C.	
5K/3394	AS.3360/B6B	CONNECTOR , bonding for relay cables						4	—	C.	
		Attaching parts for 5K/3394, Connector :—									
5K/	AGS.1541/A	Clip, bonding						6	—	C.	
28M/10287	AGS.2001/B/1	Nut, 4 BA						6	—	C.	
28S/2407	A44/B12	Screw, 4 BA						6	—	C.	
28W/14034	SP.25/B	Washer						6	—	C.	
	N.003481A	CONNECTOR , bonding terminal blocks to earth hole forward end, Port boom						1	—	C.	PA.1
		Attaching parts for N.003481A, Connector :—									
28D/12512	A25/1C	Bolt, 2 BA						1	—	C.	
28M/10288	AGS.2001/C/1	Nut, 2 BA						2	—	C.	
28W/12253	SP.13/C	Washer						1	—	C.	
	N.003483A	CONNECTOR , bonding terminal blocks to earth bolt, rear fairing						1	—	C.	PA.1
		Attaching parts for N.003483A, Connector :—									
28D/12528	A25/1B	Bolt, 4 BA						1	—	C.	
28M/10287	AGS.2001/B/1	Nut, 4 BA						1	—	C.	
28W/12305	SP.13/B	Washer						1	—	C.	

INSTALLATION OF T.R.1934, T.R.2002 AND TELEBRIEF

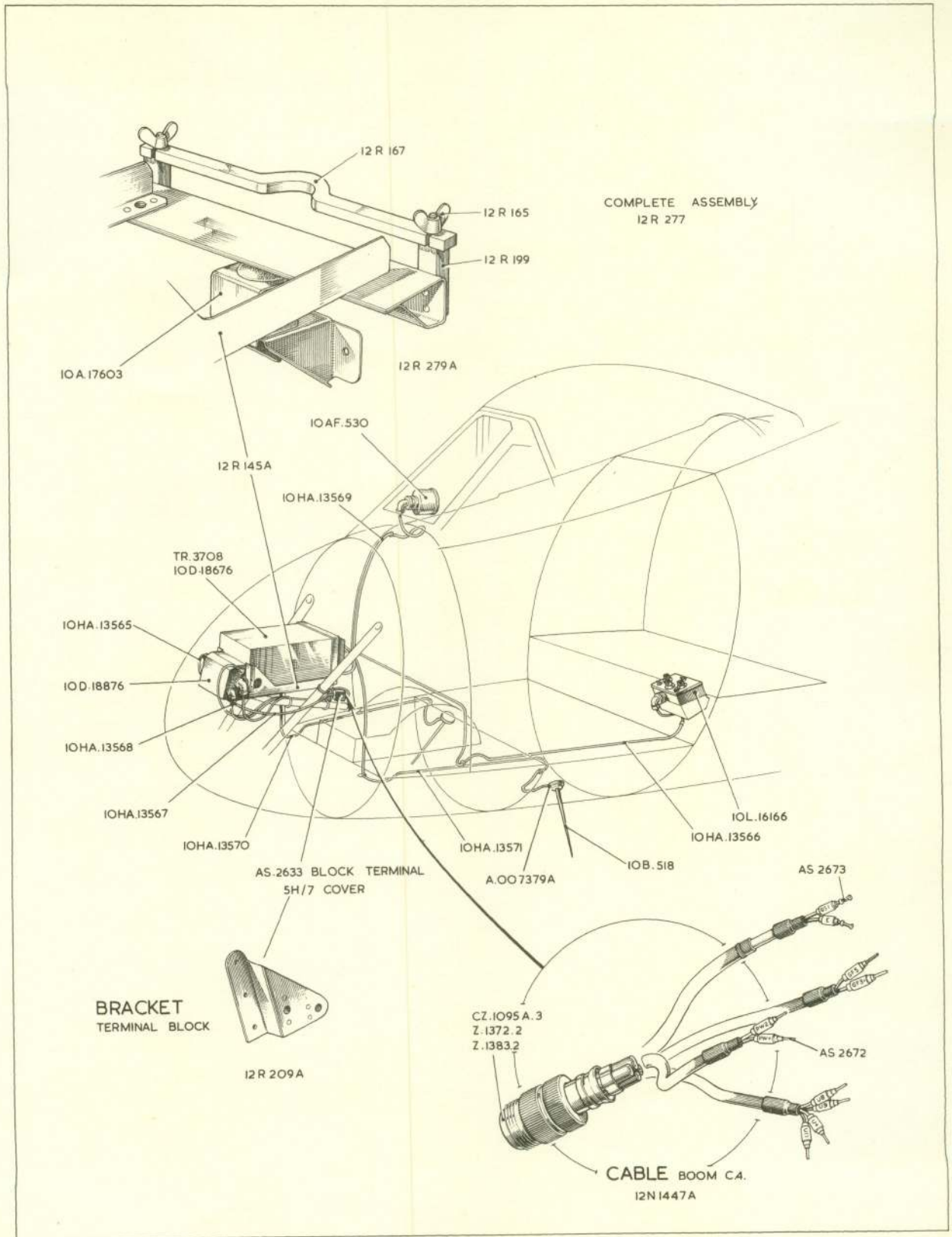
Ref. No.	Part No.	Nomenclature						No. Off	M.R.	Cl. of St.	Plate No.
		1	2	3	4	5	6				
10HA/13190	†	CONNECTOR , from Starboard wing break to aerial socket on T.R.2002						1	—	B.	
10HA/13194	†	CONNECTOR , from Starboard wing break to aerial in wing						1	—	B.	
10HA/12086	†	CONNECTOR , from tel-mic socket to bulkhead No. 2						1	—	—	
10HA/14123	†	CONNECTOR , from terminal block to supply socket on T.R.2002						1	—	—	
10HA/9326	Type 3570	CONNECTOR , telebrief plug in rear fairing ...						1	—	A.	
10HA/9045	†	CONNECTOR , transmitter/receiver to bulkhead No. 2 for electrical controller unit						1	—	A.	
10HA/9050	†	CONNECTOR , transmitter/receiver to socket at main spar						1	—	A.	
10HA/12066	†	CONNECTOR , transmitter/receiver to socket at main spar						1	—	A.	
10HA/12064	†	CONNECTOR , transmitter receiver to bulkhead No. 2 for microphone/telephone parallel socket and relay						1	—	A.	
10HA/8239	†	CONNECTOR , socket at main spar to aerial in Port boom						1	—	A.	
10HA/14128	†	CONNECTOR , V.H.F. relay box to terminal block at Starboard cannon bay side						1	—	—	
26FC/3415	12 R 347A N.00683	CORD , retaining for T.R.2002						1	—	—	PA.4
		FAIRLEAD , half on rear face of bulkhead No. 3, $\frac{1}{8}$ " thick, L.F.S. 23						2	—	C.	PA.4
		Attaching parts for N.00683, Fairlead :—									
28M/10287	AGS.2001/B/1	Nut, 4 BA						3	—	C.	
28S/2863	A32/B16	Screw, 4 BA						3	—	C.	
28W/12305	SP.13/B	Washer						3	—	C.	
26FC/3418	B.001070A	FRAME , support, tray mounting						1	—	C.	PA.2
		Attaching parts for B.001070A, Frame :—									
28D/12570	A25/11E	Bolt, $\frac{1}{4}$ " BSF						4	—	C.	
28M/10270	AGS.2001/E/1	Nut, $\frac{1}{4}$ " BSF						4	—	C.	
28W/12253	SP.13/E	Washer						4	—	C.	
5X/2786	No.3	GROMMET , for whip aerial in Port and Starboard booms						2	—	C.	
5K/2918	SP.40/D16	GROMMET , rubber, in stub boom diaphragm cover plate						2	—	C.	
26FC/1932	12 R 345A B.00276A	MOUNTING , for T.R.2002 on Port ammunition door						1	—	—	PA.3
		MOUNTING , support, for transmitter/receiver mounting tray						1	—	C.	PA.2
		PIN , retaining, $\frac{1}{16}$ " dia. x 0.5" long S.I.						1	—	—	PA.2
26FC/1933	B.00282	PLUNGER , catch						1	—	C.	PA.2
26FC/1934	B.00284	SPRING , for plunger						1	—	C.	PA.2
28W/12296	SP.15/C	WASHER						1	—	C.	
		Attaching parts for B.00276, Mounting :—									
28D/12534	A25/9C	Bolt, 2 BA						4	—	C.	
28M/10288	AGS.2001/C/1	Nut, 2 BA						4	—	C.	
28W/12296	SP.15/C	Washer						4	—	C.	
28M/13288	A27/AP	NUT , 6 BA, for screws securing terminal blocks ...						4	—	C.	
28M/13086	A27/BP	NUT , 4 BA, for screws securing terminal blocks ...						2	—	C.	
28M/10286	AGS.2001/A/1	NUT , 6 BA, for bolts securing terminal blocks ...						6	—	C.	
28M/10287	AGS.2001/B/1	NUT , 4 BA, for screws securing cable clips and matching stud clips						6	—	C.	

INSTALLATION OF T.R.1934, T.R.2002 AND TELEBRIEF

Ref. No.	Part No.	Nomenclature						No. Off	M.R.	Cl. of St.	Plate No.
		1	2	3	4	5	6				
28M/10288	AGS.2001/C/1	NUT , 2 BA, for screws securing cable clips ...						2	—	C.	
	N.001909	PLATE , grommet, for whip aerial in Port and Starboard booms, $\frac{1}{16}$ " thick, LFS.21						2	—	—	PA.4
		Attaching parts for N.001909, Plate :—									
28D/8308	AS.1242/3C	Bolt , 2 BA ...						4	—	C.	
1664	12 F 677A	PLATE , nut, for transmitter/receiver mounting tray						2	—	C.	PA.3
		Attaching parts for 12 F 677A, Plate :—									
28D/12531	A25/3C	Bolt , 2 BA ...						8	—	C.	
28L/11069	AGS.2035/C	Lockwasher ...						8	—	C.	
1661	12 F 755A	PLATE , nut, for transmitter receiver mounting tray						2	—	C.	PA.3
		Attaching parts for 12 F 755A, Plate :—									
28D/12512	A25/1C	Bolt , 2 BA ...						1	—	C.	
28D/12629	A25/8C	Bolt , 2 BA ...						2	—	C.	
28L/11069	AGS.2035/C	Lockwasher ...						1	—	C.	
28M/12929	A27/CP	Nut , 2 BA ...						2	—	C.	
	12 F 701ND	Plate , washer ...						2	—	—	PA.3
26BY/3165	DHS.33/Mk. 1	Washer , shrinkage ...						4	—	C.	
28S/2822	A33/A20	SCREW , 6 BA, for securing terminal blocks ...						16	—	C.	
28S/2815	A33/B16	SCREW , 4 BA, for cable clips ...						4	—	C.	
28S/2827	A33/B24	SCREW , 4 BA, for clip securing matching stub ...						2	—	C.	
28S/2857	A32/B12	SCREW , 4 BA, securing cable clips ...						7	—	C.	
28S/2863	A32/B16	SCREW , 4 BA, securing cable clips ...						3	—	C.	
28S/2760	A31/C12	SCREW , 2 BA, securing cable clips ...						2	—	C.	
26FC/4620	B.003171A	SLIDE , loading, for transmitter/receiver ...						1	—	C.	PA.2
10H/2206	†	SOCKET , microphone/telephone parallel type 359						1	—	A.	
110H/1555	Type PL.258	SOCKET , two-way, for aerial connector at main spar						1	—	A.	
	12 R 395	SPRING , securing front and rear straps on emergency battery starboard ammunition door						2	—	—	PA.2
	12 R 385A	STRAP , front, securing emergency battery on starboard ammunition door						2	—	—	PA.2
	12 R 389A	STRAP , rear, securing emergency battery on starboard ammunition door						2	—	—	PA.2
		Attaching parts for 12 R 385A and 12 R 389A, Straps :									
28D/12626	A25/10B	Bolt , 4 BA ...						4	—	C.	
28M/10287	AGS.2001/B/1	Nut , 4 BA ...						4	—	C.	
28W/12306	SP.15/B	Washer ...						4	—	C.	
	12 R 367A	STRUT , for ammunition door, port and starboard						1	—	—	PA.2
	L.00449	FORK-END ...						1	—	—	PA.2
	A.002500	STRUT-END ...						1	—	—	PA.2

INSTALLATION OF TR.1934, TR.2002 AND TELEBRIEF

Ref. No.	Part No.	Nomenclature						No. Off	M.R.	Cl. of St.	Place No.
		1	2	3	4	5	6				
5CW/2007	†	SWITCH , relay, magnetic, type Q						1	—	A.	
28D/8301	AS.1242/2B	Attaching parts for 5CW/2007, Switch :—									
28L/1067	AGS.2035/B	Bolt, 4 BA						2	—	C.	
		Lockwasher						2	—	C.	
10D/17693	†	TRANSMITTER/RECEIVER , type 1934						1	—	A.	
		OR									
10D/17937	†	TRANSMITTER/RECEIVER , type 1985						1	—	A.	
1667	12 R 23A/1	TRAY , mounting, for transmitter/receiver 1934 ...						1	—		PA.3
5K/3372	AS.3360/B5C	CONNECTOR , bonding						1	—	C.	
	12 R 39A/ND	MEMBER , front, radio securing						1	—		PA.3
	12 R 255/ND	ANGLE						1	—		PA.3
1669	12 R 19	BOLT , knurled						2	—	C.	PA.3
	12 R 37ND	BRACKET , trunnion						1	—		PA.3
1668	12 R 21	TRUNNION						2	—	C.	PA.3
28W/12346	SP.10/B	WASHER						2	—	C.	
28W/12306	SP.15/B	WASHER , for bonding connector						1	—	C.	
		Attaching parts for 12 R 23A/1, Tray :—									
28D/12544	A25/8E	Bolt, 1/4" BSF						4	—	C.	
10D/17997	†	TRANSMITTER/RECEIVER , type TR.2002 ...						1	—	A.	
10AJ/212	†	TRAY , mounting, TR.2002, type 1031 ...						1	—		
5F/2035	†*	TUBE , polyvinyl 12 m/m for telebrief connector ...						QR	—	C.	
	—	UNIT , electrical, controller (See fuselage, instrument panels)						—	—		
28W/3097	AGS.162/B	WASHER , spring, for screw securing matching stud clip						2	—	C.	
28W/12305	SP.13/B	WASHER , for screw securing matching stub clip and cable clips						20	—	C.	
28L/11067	AGS.2035/B	WASHER , securing cable clips						7	—	C.	

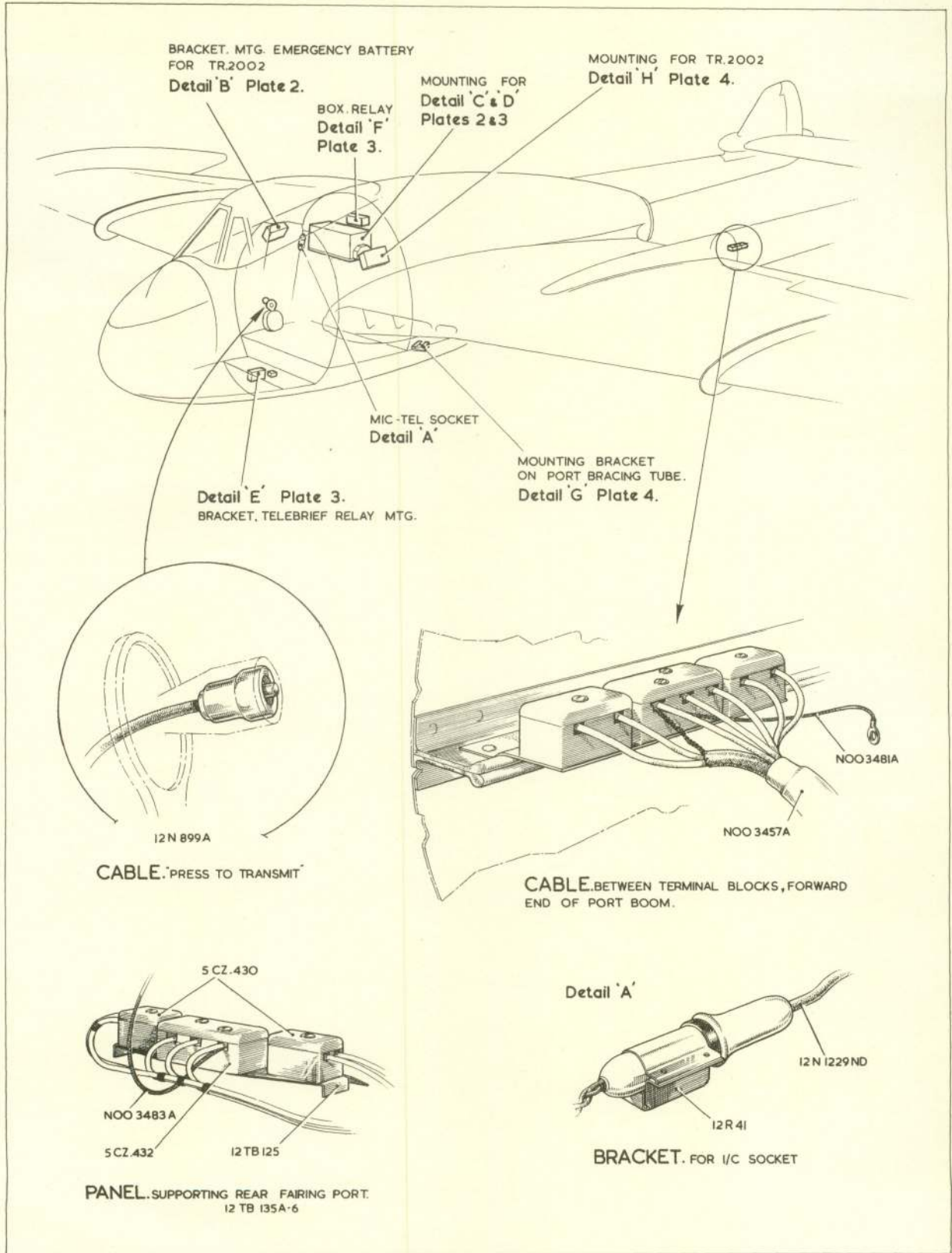


P.I.

RADIO & RADAR

P.I.

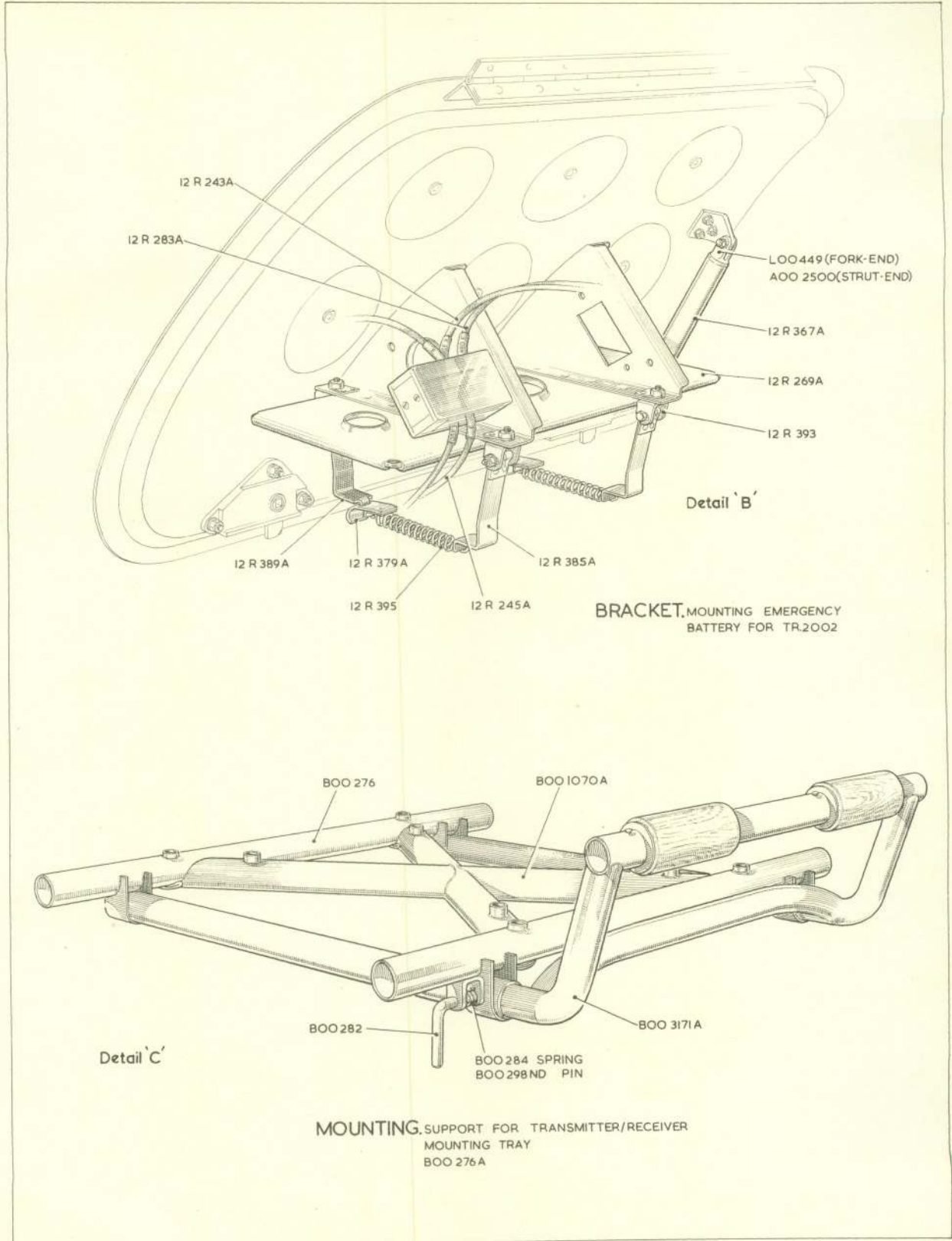
INSTALLATION OF ARI. 5849

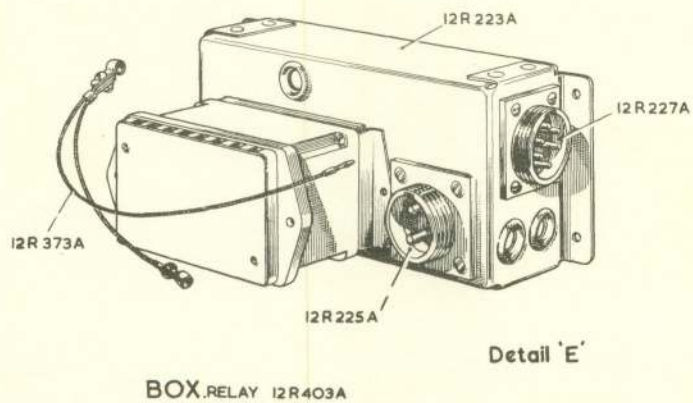
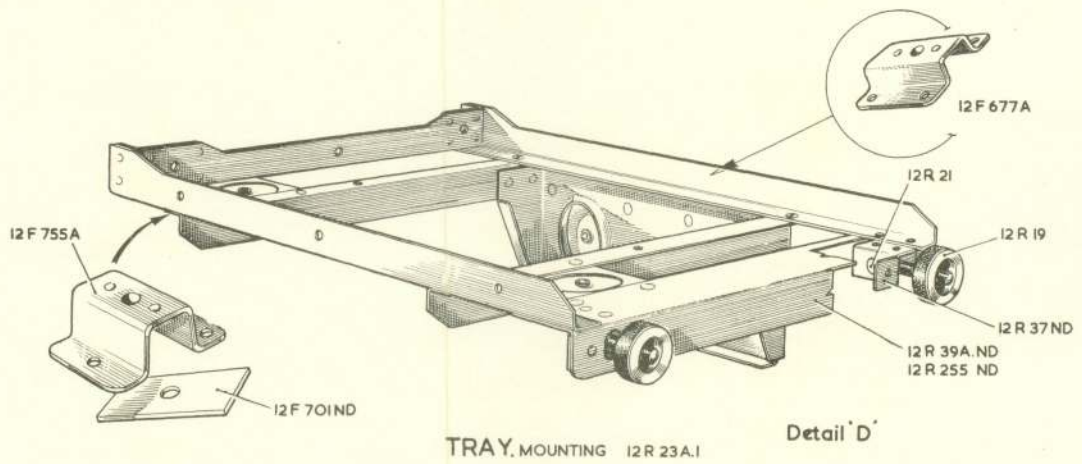
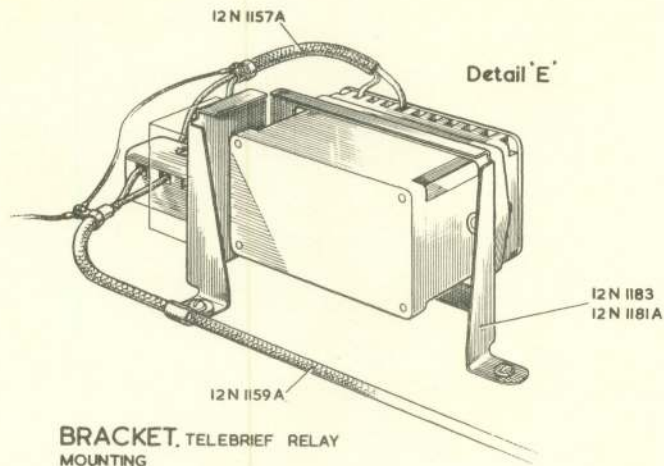


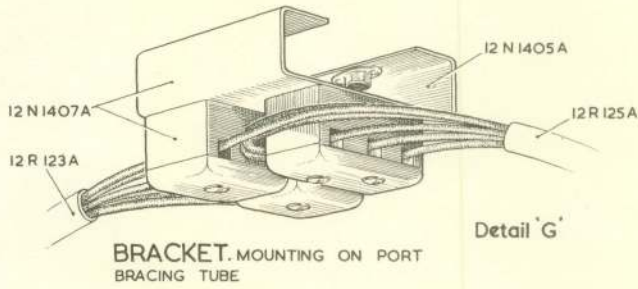
PA.I.

RADIO & RADAR
INSTALLATION OF TR. 1934 TR. 2002
AND TELEBRIEF

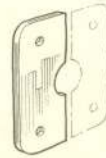
PA.I.



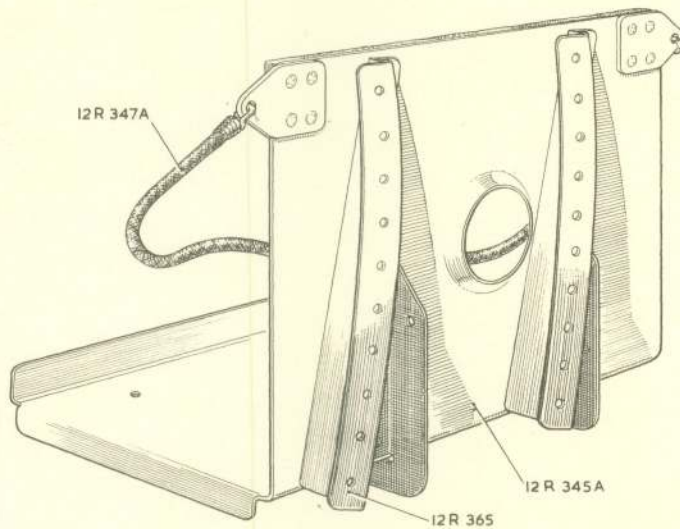




Detail 'G'

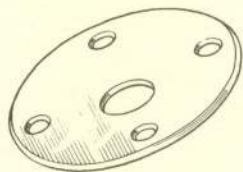


FAIRLEAD, BULKHEAD No.3
NOO 683

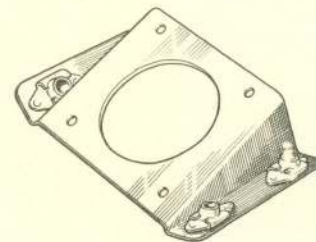


Detail 'H'

BRACKETS, SUPPORT & MOUNTING FOR TR. 2002 ON PORT AMMUNITION DOOR



PLATE, GROMMET NOO 1909
WHIP AERIAL



BRACKET, AERIAL NOO 1913A
IN PORT BOOM

HAND INK ALTERATIONS

Insert in the "Plate No." Column the following plate numbers against the undermentioned Part Numbers :—

PAGE P.1			PAGE P.1		
Ref. No.	Part No.	Plate No.	Ref. No.	Part No.	Plate No.
	12 R 277	P.1	10HA/13571	†	P.1
10B/518	†	P.1	10HA/13567	†	P.1
10D/18876	†	P.1	10HA/13570	†	P.1
	12 R 209A	P.1	10HA/13566	†	P.1
	12 R 279A	P.1	10HA/13565	†	P.1
			10HA/13568	†	P.1
PAGE P.2			PAGE P.2		
Ref. No.	Part No.	Plate No.	Ref. No.	Part No.	Plate No.
10HA/13569	†	P.1	10D/18676	†	P.1
5H/7	†	P.1	8241	12 R 145A	P.1
10AF/530	†	P.1		12 R 169	P.1
10A/17603	†	P.1		12 R 199	P.1
26FC/11162	†	P.1		12 R 165	P.1
			10L/16166	†	P.1
PAGE PA.1			PAGE PA.1		
Ref. No.	Part No.	Plate No.	Ref. No.	Part No.	Plate No.
	12 R 429	PA.1		12 R 403A	PA.3
5CZ/430	†	PA.1		12 R 223A	PA.3
5CZ/432	†	PA.1		12 R 225A	PA.3
				12 R 227A	PA.3
PAGE PA.2			PAGE PA.2		
Ref. No.	Part No.	Plate No.	Ref. No.	Part No.	Plate No.
	12 R 373A	PA.3		12 R 269A	PA.2
	12 R 393	PA.2	7277	12 N 1407A	PA.4
1643	12 R 41	PA.1		12 N 1405A	PA.4
26FC/8939	N.001913A	PA.4		12 R 365	PA.4
			7275	12 N 1181A	PA.3
PAGE PA.3			PAGE PA.3		
Ref. No.	Part No.	Plate No.	Ref. No.	Part No.	Plate No.
	12 N 1183	PA.3		12 R 243A	PA.2
	N.003457A	PA.1		12 R 245A	PA.2
	12 N 1229ND	PA.1		12 N 1157A	PA.3
	12 R 283A	PA.2		12 N 1159A	PA.3
				12 N 899A	PA.1
PAGE PA.4			PAGE PA.4		
Ref. No.	Part No.	Plate No.	Ref. No.	Part No.	Plate No.
	12 R 123A	PA.4		12 R 379A	PA.2
7279	12 R 125A	PA.4		N.003481A	PA.1
				N.003483A	PA.1
PAGE PA.5			PAGE PA.5		
Ref. No.	Part No.	Plate No.	Ref. No.	Part No.	Plate No.
	12 R 347A	PA.4		B.00276A	PA.2
	N.00683	PA.4		B.00298ND	PA.2
26FC/3418	B.001070A	PA.2	26FC/1933	B.00282	PA.2
	12 R 345A	PA.3	26FC/1934	B.00284	PA.2

HAND INK ALTERATIONS

Insert in the "Plate No." Column the following plate numbers against the undermentioned Part Numbers :—

PAGE PA.6		
Ref. No.	Part No.	Plate No.
7283	12 TB 135A	PA.1
	12 TB 125	PA.1
	N.001909	PA.4
1664	12 F 677A	PA.3
1661	12 F 755A	PA.3
	12 F 701ND	PA.3
26FC/4620	B.003171A	PA.2
5GZ/432	†	PA.1
5CZ/430	†	PA.1
	12 R 395	PA.2
	12 R 385A	PA.2
	12 R 389A	PA.2
	12 R 367A	PA.2
	L.00449	PA.2
	A.002500	PA.2

PAGE PA.7		
Ref. No.	Part No.	Plate No.
1667	12 R 23A/1	PA.3
	12 R 39A/ND	PA.3
	12 R 255/ND	PA.3
1669	12 R 19	PA.3
	12 R 37ND	PA.3
1668	12 R 21	PA.3

This file was downloaded
from the RTFM Library.

Link: www.scottbouch.com/rtfm

Please see site for usage terms,
and more aircraft documents.

