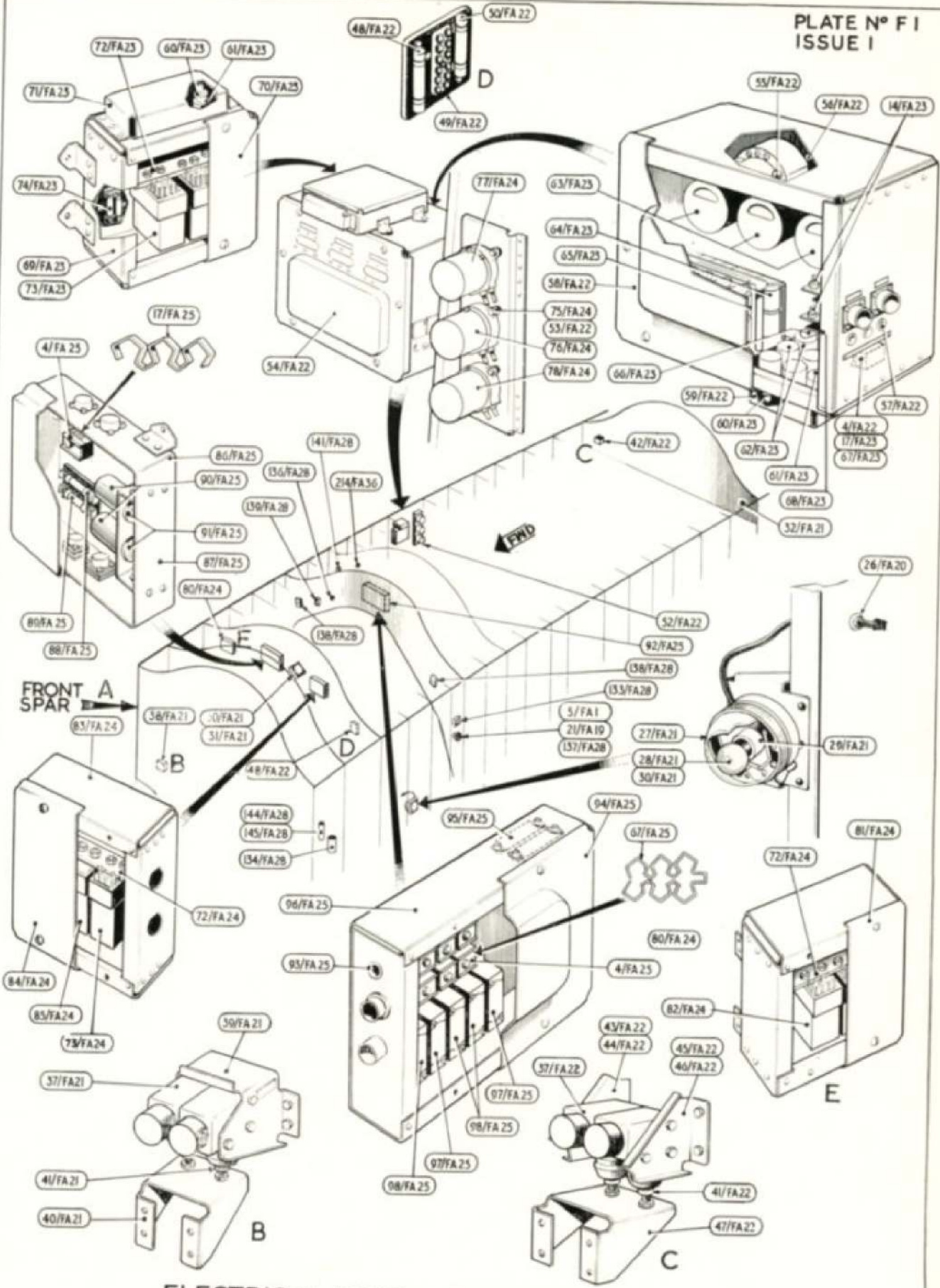


RESTRICTED

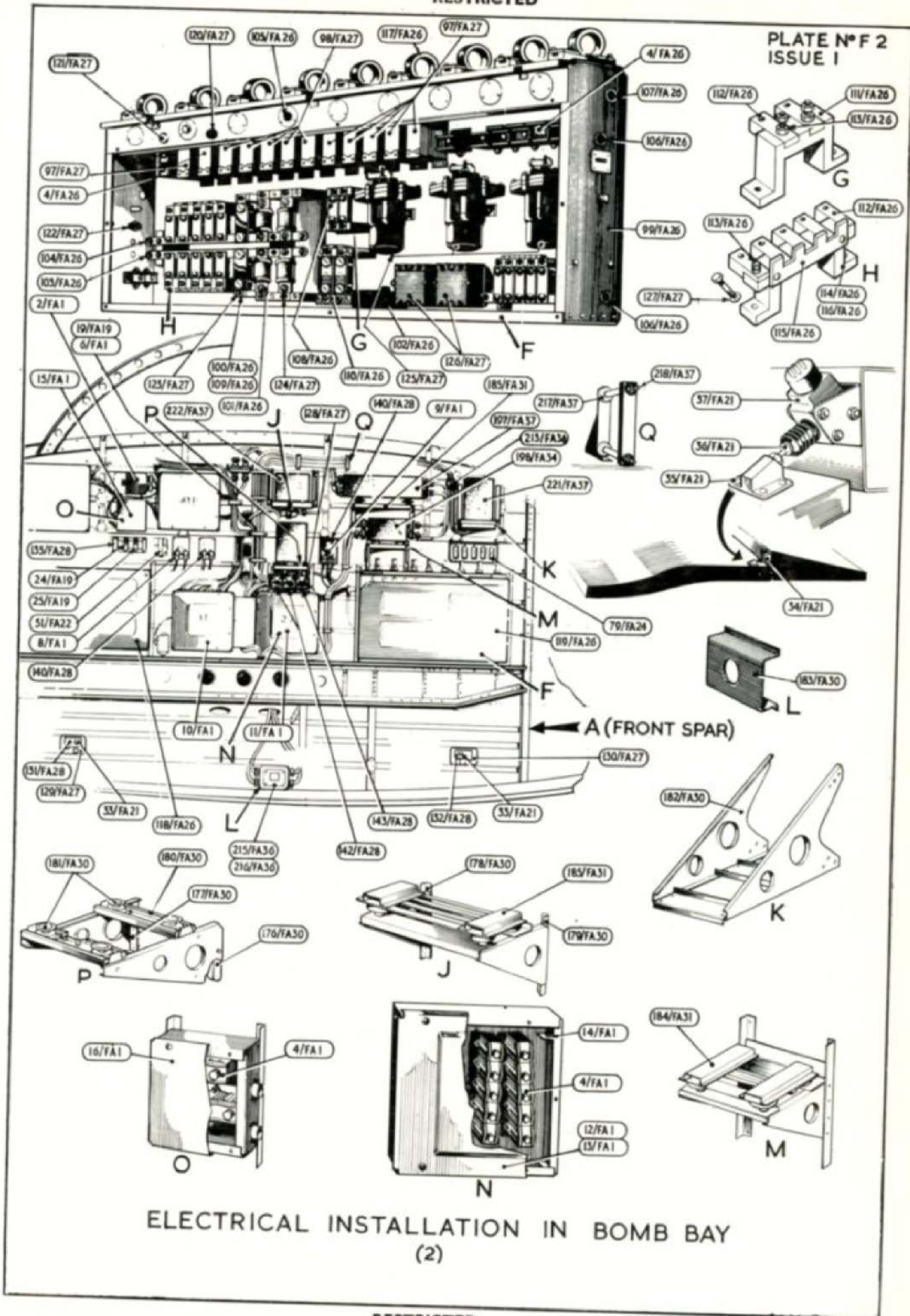
PLATE N° F I  
ISSUE I



ELECTRICAL INSTALLATION IN BOMB BAY  
(1)

RESTRICTED

RESTRICTED



RESTRICTED





This file was downloaded  
from the RTFM Library.

Link: [www.scottbouch.com/rtfm](http://www.scottbouch.com/rtfm)

Please see site for usage terms,  
and more aircraft documents.