

ELECTRICAL INSTALLATION  
NOSEWHEEL BAY

Ref. No.	Part No.	Description				No. off	Matl. Spec.	Cl. of	Plate and Illust'n No.
		1	2	3	4			St. M.R.	
		<b>ELECTRICAL INSTALLATION IN NOSEWHEEL BAY (1V6353)</b>							
		Spares for :-							
5X/9008	SMITHS	Adaptor, lug, 4-way				6	—	C	
6A/2729	FCA TEDDINGTON	Amplifier, fuel contents				2	—	A	F12/1
5CZ/5076	FLM/A/14	Amplifier, magnetic				2	—	A	F12/2
26FP/8735	1V5650	Block, terminal, 12 amp. L.D.				8	—	C	F12/3
5X/9402802	—	Block, terminal, 2-way				1	—	C	F11/4
5X/9402147	—	Block, terminal, 3-way				1	—	C	F11/5
5X/9402803	—	Block, terminal, 5-way				1	—	C	
5CZ/1983	ROTAX 16337/1	Boot, insulating				2	—	C	F12/6
6A/4087	SMITHS JY1	Box, cable connection, port				1	—	B	F12/7
6A/4088	SMITHS JY2	Box, cable connection, starboard				1	—	B	F12/8
6A/2813	SMITHS XA	Bracket, mounting, amplifier				2	—	B	F12/9
4619	11SS4204	Bush, ring lock, $\frac{1}{2}$ " i/d x $\frac{7}{16}$ " o/d				2	Insuloid	C	F11/10
4620	13SS4204	Bush, ring lock, $\frac{1}{2}$ " i/d x $\frac{7}{16}$ " o/d				1	Insuloid	C	F12/11
	42SS4204	Bush, ring lock, $\frac{1}{2}$ " i/d				1	Insuloid	C	
4621	51SS4204	Bush, ring lock				2	Insuloid	C	F11/12
4622	52SS4204	Bush, ring lock				2	Insuloid	C	F11/13
6A/4084	SMITHS CR57	Cable, co-axial, 57" long				1	—	B	
6A/4085	SMITHS CR87	Cable, co-axial, 87" long				1	—	B	
6A/4079	SMITHS CR42	Cable, co-axial, 42" long				1	—	B	
6A/4083	SMITHS CD16	Cable, co-axial				1	—	B	
6A/4086	SMITHS CD24	Cable, co-axial				1	—	B	
	5866V6384	CABLE, RELAY 31 TO No. 1 SHUNT, GROUP (Mod. 621)				1	—		
	5867V6384	CABLE, RELAY 32 TO No. 2 SHUNT, GROUP (Mod. 621)				1	—		
	5868V6384	CABLE, RELAY 33 TO No. 3 SHUNT, GROUP (Mod. 621)				1	—		
	5V6384	CABLE, 15P TO VOLTAGE REGULATORS, GROUP				1	—		
	6V6384	CABLE, 15P TO EARTH, GROUP				1	—		
	2230V6384	CABLE, 16P to 22P, GROUP				1	—		
	2417V6384	CABLE, R.P.B. 126 TO 1J AND 2J, GROUP				1	—		

ELECTRICAL INSTALLATION  
NOSEWHEEL BAY

Ref. No.	Part No.	Description				No. off	Matl. Spec.	Cl. of St.	Plate and Illust'n No.
		1	2	3	4			M.R.	
	7V6384	CABLE, 15P TO 18P, GROUP ... ..				1	—		
	8V6384	CABLE, 15P TO 18P, GROUP ... ..				1	—		
	9V6384	CABLE, D.C. ROTARIES TO VOLTAGE REGULATORS, GROUP				1	—		
	10V6384	CABLE, R.P.B. 101 TO P.W.B. 601, GROUP				1	—		
	22V6384	CABLE, R.P.B. 115 TO 13P, 16P AND 38P, GROUP				1	—		
	42V6384	CABLE, R.P.B. 143 TO A.M.U., GROUP				1	—		
	43V6384	CABLE, R.P.B. 144 TO 17P 268, GROUP				1	—		
	47V6384	CABLE, R.P.B. 150 TO 16P, GROUP ...				1	—		
	50V6384	CABLE, R.P.B. 156 TO CIRCUIT BREAKERS 35 AND 36, GROUP				1	—		
	58V6384	CABLE, R.P.B. 167 TO SEQUENCE TIMER, GROUP				1	—		
	67V6384	CABLE, 16P 11 TO 38P, GROUP ...				1	—		
	68V6384	CABLE, 16P 18 TO 39P, GROUP ...				1	—		
	72V6384	CABLE, 16P 18 TO 15P, GROUP ...				1	—		
	146V6384	CABLE, A.M.U. TO EARTH, GROUP ...				1	—		
	326V6384	CABLE, No. 11 LAMP TO No. 13 LAMP, GROUP				1	—		
	327V6384	CABLE, No. 13 LAMP TO No. 14 LAMP, GROUP				1	—		
	407V6384	CABLE, TERMINAL TO STARTER RESISTOR, GROUP				1	—		
	408V6384	CABLE, TERMINAL TO STARTER RESISTOR, GROUP				1	—		
	409V6384	CABLE, TERMINAL TO STARTER RESISTOR, GROUP				1	—		
	459V6384	CABLE, 13P TO 21P, GROUP ... ..				1	—		
	506V6384	CABLE, TO 13P, GROUP ... ..				1	—		
	507V6384	CABLE, TO 13P, GROUP ... ..				1	—		
	508V6384	CABLE, TO 13P, GROUP ... ..				1	—		
	510V6384	CABLE, 13P TO SWITCH, GROUP ...				1	—		
	532V6384	CABLE, 13P TO No. 2 FIRE BOTTLE, GROUP				1	—		

ELECTRICAL INSTALLATION  
NOSEWHEEL BAY

Ref. No.	Part No.	Description				No. off	Matl. Spec.	Cl. of St.	Plate and Illust'n No.
		1	2	3	4			M.R.	
	533V6384	CABLE, 13P TO No. 1 FIRE BOTTLE, GROUP				1	—		
	534V6384	CABLE, 13P TO EARTH, GROUP ...				1	—		
	535V6384	CABLE, 13P TO EARTH, GROUP ...				1	—		
	555V6384	CABLE, 15P TO 28V. RELAY, GROUP				1	—		
	556V6384	CABLE, 15P TO 28V. GROUND SUPPLY PLUG, GROUP				1	—		
	582V6384	CABLE, INDICATOR TO EARTH, GROUP				1	—		
	607V6384	CABLE, 13P TO MICRO SWITCH, GROUP				1	—		
	608V6384	CABLE, 13P TO MICRO SWITCH, GROUP				1	—		
	609V6384	CABLE, 13P TO MICRO SWITCH, GROUP				1	—		
	5768V6384	CABLE, TB. 689 TO 30P, GROUP (Mod. 497)				1	—		
	5769V6384	CABLE, TB. 689 TO 31P, GROUP (Mod. 497)				1	—		
	5770V6384	CABLE, TB. 690 TO 32P, GROUP (Mod. 497)				1	—		
	5771V6384	CABLE, TB. 690 TO 33P, GROUP (Mod. 497)				1	—		
	672V6384	CABLE, 13P TO DOWN SWITCH, GROUP				1	—		
	675V6384	CABLE, 13P TO PORT AFT SWITCH, GROUP				1	—		
	676V6384	CABLE, 13P TO STARBOARD AFT SWITCH, GROUP				1	—		
	678V6384	CABLE, 15P TO CIRCUIT BREAKER 30, GROUP				1	—		
	703V6384	CABLE, TB. 699 TO TB. 253 (16P), GROUP				1	—		
	704V6384	CABLE, TB. 699 TO FUSE (16P), GROUP				1	—		
	3112V6384	CABLE, R.P.B. 933 TO 70P-947, GROUP ...				1	—		
	3113V6384	CABLE, R.P.B. 934 TO FRONT SPAR, GROUP ...				1	—		
	3140V6384	CABLE, TBs. 504 C AND D TO TBs. 494 A AND B, GROUP ...				1	—		
	3221V6384	CABLE, 70P-948 TO TBs. 503-A, B, C AND D, GROUP ...				1	—		
	3222V6384	CABLE, 70P-949 TO FRONT SPAR, 1J AND R.P.B., GROUP ...				1	—		
	3331V6384	CABLE, 16P ENTRY 9 TO 56P, GROUP ...				1	—		

**ELECTRICAL INSTALLATION  
NOSEWHEEL BAY**

Ref. No.	Part No.	Description				No. off	Matl. Spec.	Cl. of St.	Plate and Illust'n No.
		1	2	3	4			M.R.	
	742V6384	CABLE, No. 31 CIRCUIT BREAKER TO No. 240 RELAY, GROUP				1	—		
	743V6384	CABLE, No. 30 CIRCUIT BREAKER TO No. 239 RELAY, GROUP				1	—		
	830V6384	CABLE, No. 1 TRANSFER PUMP TO TEST COIL AND EARTH, GROUP				1	—		
	846V6384	CABLE, No. 1 AMPLIFIER TO TB. 717, GROUP				1	—		
	847V6384	CABLE, 16P TO TB. 717, GROUP ...				1	—		
	854V6384	CABLE, TB. 717 TO TB. 726, GROUP ...				1	—		
	857V6384	CABLE, 38P TO TB. 718, GROUP ...				1	—		
	895V6384	CABLE, TB. 208 (13P) TO TB. 530 (38P), GROUP				1	—		
	896V6384	CABLE, TB. 211 (13P) TO TB. 610 (21P), GROUP				1	—		
	925V6384	CABLE, 16P TO 15P, GROUP ...				1	—		
	927V6384	CABLE, 16P TO 15P, GROUP ...				1	—		
	928V6384	CABLE, 16P TO 15P, GROUP ...				1	—		
	933V6384	CABLE, 16P TO 15P, GROUP ...				1	—		
	938V6384	CABLE, CIRCUIT BREAKERS 39, 40 AND 41 TO 21P, GROUP				1	—		
	944V6384	CABLE, 39P TO TB. 727, GROUP ...				1	—		
	945V6384	CABLE, 39P TO TB. 726, GROUP ...				1	—		
	946V6384	CABLE, No. 2 AMPLIFIER TO TB. 727, GROUP				1	—		
	951V6384	CABLE, No. 1 AMPLIFIER TO TB. 726, GROUP				1	—		
	952V6384	CABLE, TB. 726 TO EARTH, GROUP				1	—		
	956V6384	CABLE, 15P TO BUS BAR AT CIRCUIT BREAKER 41, GROUP				1	—		
	977V6384	CABLE, 2J TO HYDRAULIC ACCUMULATOR SWITCH AND 16P, GROUP				1	—		
	978V6384	CABLE, 16P TO HYDRAULIC ACCUMULATOR SWITCH, GROUP				1	—		

ELECTRICAL INSTALLATION  
NOSEWHEEL BAY

Ref. No.	Part No.	Description				No. off	Matl. Spec.	Cl. of St.	Plate and Illust'n No.
		1	2	3	4			M.R.	
	1076V6384	CABLE, R.P.B. 477 TO AIR BURST UNIT, GROUP				1	—		
	1078V6384	CABLE, R.P.B. 476 TO FRONT SPAR PLUG BREAK 475, GROUP				1	—		
	1090V6384	CABLE, R.P.B. 478 TO FRONT SPAR PLUG BREAK 474, GROUP				1	—		
	1092V6384	CABLE, DISTRIBUTOR TO R.P.B. 145, GROUP				1	—		
	1112V6384	CABLE, No. 13 LAMP TO No. 14 LAMP, GROUP				1	—		
	1128V6384	CABLE, No. 14 LAMP TO EARTH, GRP.				1	—		
	1205V6384	CABLE, 13P TO MICRO SWITCH, GRP.				1	—		
11551	1356V6384	CABLE, No. 1 INVERTER TO EARTH, GROUP				1	—	C	
11552	1357V6384	CABLE, No. 2 INVERTER TO EARTH, GROUP				1	—	C	
	1358V6384	CABLE, No. 3 INVERTER TO EARTH, GROUP				1	—		
11382	1359V6384	CABLE, No. 1 INVERTER TO C.U., GROUP				1	—	C	
	1360V6384	CABLE, No. 1 INVERTER TO C.U., GROUP				1	—		
8776	1361V6384	CABLE, CONTROL UNIT TO R.U., GROUP				1	—	C	
	1362V6384	CABLE, No. 2 INVERTER TO C.U., GROUP				1	—		
	1363V6384	CABLE, No. 2 INVERTER TO C.U., GROUP				1	—		
8778	1364V6384	CABLE, CONTROL UNIT TO R.U., GROUP				1	—	C	
	1365V6384	CABLE, No. 3 INVERTER TO C.U., GROUP				1	—		
	1366V6384	CABLE, No. 3 INVERTER TO C.U., GROUP				1	—		
8779	1367V6384	CABLE, CONTROL UNIT TO R.U., GROUP				1	—	C	
	1457V6384	CABLE, PORT FIRE WARNING CONTROL TO 16P, RELAY 340 AND TB. 689, GROUP				1	—		
	1458V6384	CABLE, 16P TO RELAY 340, GROUP ...				1	—		
	1459V6384	CABLE, RELAY 340 (3-4), GROUP ...				1	—		
	1460V6384	CABLE, RELAY 340 (1-2), GROUP ...				1	—		
	1473V6384	CABLE, 16P TO TB. 727, GROUP ...				1	—		
	1474V6384	CABLE, 16P TO TB. 718, GROUP ...				1	—		

ELECTRICAL INSTALLATION  
NOSEWHEEL BAY

Ref. No.	Part No.	Description				No. off	Matl. Spec.	Cl. of St.	Plate and Illust'n No.
		1	2	3	4			M.R.	
	1497V6384	CABLE, R.P.B. 131 TO REMOTE CONTROL UNIT, GROUP				1	—		
	1538V6384	CABLE, CIRCUIT BREAKER 32 TO TB. 710, GROUP				1	—		
	1539V6384	CABLE, CIRCUIT BREAKER 33 TO TB. 712, GROUP				1	—		
	1543V6384	CABLE, 16P TO RELAYS 342 AND 343, GROUP				1	—		
	1544V6384	CABLE, RELAY 342 (4-3), GROUP				1	—		
	1545V6384	CABLE, RELAY 342 (2-1), GROUP				1	—		
	1546V6384	CABLE, RELAY 342 TO RELAY 343, GRP.				1	—		
	1547V6384	CABLE, RELAY 343 (4-3), GROUP				1	—		
	1548V6384	CABLE, RELAY 343 (2-1), GROUP				1	—		
	1549V6384	CABLE, RELAY 343 TO EARTH, GROUP				1	—		
	1557V6384	CABLE, ELEVATOR SERVO TO R.P.B. 127, GROUP				1	—		
	1573V6384	CABLE, R.P.B. 116 TO 18P AND 19P, GROUP				1	—		
	1587V6384	CABLE, RELAY 348 TO TB. 243 (16P), GROUP				1	—		
	1588V6384	CABLE, RELAY 348 TO TB. 243 (16P), GROUP				1	—		
	1589V6384	CABLE, RELAY 349 TO TB. 243 (16P), GROUP				1	—		
	1590V6384	CABLE, RELAY 349 TO TB. 243 (16P), GROUP				1	—		
	1591V6384	CABLE, RELAY 349 (2-5), GROUP				1	—		
	1592V6384	CABLE, RELAY 348 TO RELAY 349, GRP.				1	—		
	1593V6384	CABLE, RELAY 349 TO EARTH, GROUP				1	—		
	1594V6384	CABLE, RELAY 349 TO RELAY 340, GRP.				1	—		
	1595V6384	CABLE, RELAY 348 (2-5), GROUP				1	—		
	1596V6384	CABLE, RELAY 348 (4-6), GROUP				1	—		
	1597V6384	CABLE, RELAY 348 TO RELAY 239, GRP.				1	—		
	1598V6384	CABLE, RELAY 239 TO RELAY 240, GRP.				1	—		
	1599V6384	CABLE, RELAY 240 TO EARTH, GROUP				1	—		

## ELECTRICAL INSTALLATION

## NOSEWHEEL BAY

Ref. No.	Part No.	Description	No. off	Matl. Spec.	Cl. of	Plate and Illust'n No.
					St. M.R.	
		1 2 3 4				
	1600V6384	CABLE, RELAY 349 (4-6), GROUP ...	1	—		
	1683V6384	CABLE, No. 1 FUEL PUMP TO 18P AND No. 1 RESISTOR, GROUP	1	—		
	1689V6384	CABLE, No. 1 FUEL PUMP TO 19P AND No. 1 RESISTOR, GROUP	1	—		
	1690V6384	CABLE, No. 2 FUEL PUMP TO 19P AND No. 2 RESISTOR, GROUP	1	—		
	1702V6384	CABLE, R.P.B. 153 TO TBs. 699 AND 714 AND AIR CONDITIONING UNIT, GROUP	1	—		
	1711V6384	CABLE CABIN AIR UNIT TO 16P GROUP	1	—		
	1743V6384	CABLE, No. 1 INVERTER TO RELAY 212, GROUP	1	—		
	1744V6384	CABLE, No. 2 INVERTER TO RELAY 193, GROUP	1	—		
	3380V6384	CABLE, IFF UNIT TO RELAY 706, GROUP	1	—		
	3382V6384	CABLE, 22P6 TO RELAY 706, GROUP	1	—		
	3383V6384	CABLE, RELAY 706 TO EARTH, GROUP	1	—		
	3384V6384	CABLE, RELAY 706 TO TB. 646, GROUP	1	—		
	5928V6384	CABLE, R.P.B. 510 TO 19P, GROUP (Mod. 697)	1	—		
	1912V6384	CABLE, 7J TO ENGINE BULKHEAD PLUG 546, GROUP	1	—		
	1913V6384	CABLE, 7J TO ENGINE BULKHEAD PLUG 547, GROUP	1	—		
	1914V6384	CABLE, 7J TO ENGINE BULKHEAD PLUG 549, GROUP	1	—		
	1915V6384	CABLE, 7J TO ENGINE BULKHEAD PLUG 548, GROUP	1	—		
	1916V6384	CABLE, 7J TO AMPLIFIER, GROUP ...	1	—		
	1926V6384	CABLE, STARBOARD WING BREAK 518 TO R.P.B. 516, GROUP	1	—		
	1928V6384	CABLE, PORT WING BREAK 517 TO R.P.B. 513, GROUP	1	—		
	1930V6384	CABLE, R.P.B. 515 TO 6J, GROUP ...	1	—		
	1948V6384	CABLE, No. 3 INVERTER TO TB. 997, GROUP	1	—		
	1949V6384	CABLE, No. 2 INVERTER TO TB. 997, GROUP	1	—		

ELECTRICAL INSTALLATION

NOSEWHEEL BAY

Ref. No.	Part No.	Description				No. off	Matl. Spec.	Cl. of St.	Plate and Illust'n No.
		1	2	3	4			M.R.	
	1951V6384	CABLE, TB. 997 TO RELAYS 193 AND 194 (19P), GROUP				1	—		
	1978V6384	CABLE, TEST SWITCH TO TB. 212 (13P), GROUP				1	—		
	1989V6384	CABLE, RELAY 217 TO TEST SWITCH, GROUP				1	—		
	2112V6384	CABLE, TB. 208 (13P) TO TB. 557 (1J), GROUP				1	—		
	2114V6384	CABLE, TB. 189 TO RELAY 447, GROUP				1	—		
	2117V6384	CABLE, TB. 189 TO EARTH, GROUP				1	—		
	2222V6384	CABLE, 16P TO TB. 598 GROUP ...				1	—		
	2238V6384	CABLE, R.P.B. 711 TO 19P, GROUP ...				1	—		
	2266V6384	CABLE, 16P TO TB. 1114 (22P), GROUP				1	—		
	2310V6384	CABLE, 16P TO TB. 1144, GROUP ...				1	—		
	2311V6384	CABLE, 16P TO TB. 1145, GROUP (Pre-Mod. 544)				1	—		
	3489V6384	CABLE, FUSES 317, 318, 352 AND 353 TO RELAY 703 GROUP				1	—		
	3490V6384	CABLE, RELAY 702 TO RELAY 703, GROUP				1	—		
	3491V6384	CABLE, RELAY 702 TO EARTH, GROUP				1	—		
	3492V6384	CABLE, RELAY 703 TO EARTH, GROUP				1	—		
	3493V6384	CABLE, RELAY 702 TO 36P, GROUP ...				1	—		
	3494V6384	CABLE, RELAY 702 TO 38P, GROUP ...				1	—		
	3495V6384	CABLE, RELAY 703 TO 1J-13, GROUP ...				1	—		
	3502V6384	CABLE, No. 1 GROUP PRESSURE SWITCH TO 16P-18, GROUP				1	—		
	3503V6384	CABLE, No. 2 GROUP PRESSURE SWITCH TO 16P-18, GROUP				1	—		
	3504V6384	CABLE, No. 3 GROUP PRESSURE SWITCH TO 16P-18, GROUP				1	—		
	3505V6384	CABLE, No. 4 GROUP PRESSURE SWITCH TO 16P-18, GROUP				1	—		
	3517V6384	CABLE, 16P TO UPPER ANTI-COLLISION LAMP, GROUP				1	—		
	3518V6384	CABLE, 16P TO STARBOARD ANTI-COLLISION LAMP, GROUP				1	—		

**ELECTRICAL INSTALLATION**  
**NOSEWHEEL BAY**

Ref. No.	Part No.	Description				No. off	Matl. Spec.	Cl. of St. M.R.	Plate and illust'n No.
		1	2	3	4				
	2379V6384	CABLE, R.P.B. 107 TO 1J AND 2J, GROUP				1	—		
	2382V6384	CABLE, R.P.B. 113 TO 1J AND 2J, GROUP				1	—		
	2385V6384	CABLE, R.P.B. 137 TO 1J AND 2J, GROUP				1	—		
	2388V6384	CABLE, R.P.B. 162 TO 1J AND 2J, GROUP				1	—		
	2411V6384	CABLE, FLOOD FLOW VALVE TO 16P, GROUP				1	—		
	2412V6384	CABLE, 16P TO EARTH, GROUP ...				1	—		
	2429V6384	CABLE, TERMINAL TO STARTER RESISTOR, No. 1 ROTARY TRANSFORMER, GROUP				1	—		
	2430V6384	CABLE, TERMINAL TO STARTER RESISTOR, No. 2 ROTARY TRANSFORMER, GROUP				1	—		
	2431V6384	CABLE, TERMINAL TO STARTER RESISTOR, No. 3 ROTARY TRANSFORMER, GROUP				1	—		
	2443V6384	CABLE, TO TB. 1177, PORT, GROUP ...				1	—		
	2445V6384	CABLE, TO TB. 1177, STARBOARD, GROUP				1	—		
	2482V6384	CABLE, TB. 676 TO TB. 646, GROUP ...				1	—		
	2572V6384	CABLE, R.P.B. 120 TO 16P AND 22P, GROUP				1	—		
	2576V6384	CABLE, R.P.B. 689 TO 22P, GROUP ...				1	—		
	2605V6384	CABLE, TB. 248 (16P) TO EARTH, GROUP				1	—		
	2606V6384	CABLE, ACTUATOR TO TBs. 248 AND 249 (16P), GROUP				1	—		
	2627V6384	CABLE, R.P.B. 806 TO MICRO SWITCH, 2J AND CIRCUIT BREAKER 89, GROUP				1	—		
	2628V6384	CABLE, R.P.B. 809 TO RELAY 554 AND 15P, GROUP				1	—		
	2629V6384	CABLE, R.P.B. 796 TO CIRCUIT BREAKER 89, GROUP				1	—		
	2634V6384	CABLE, PROTECTED RELAY UNIT TO R.P.Bs. 797 AND 805, GROUP				1	—		
	2635V6384	CABLE, PROTECTED RELAY UNIT TO R.P.B. 799, GROUP				1	—		
	2637V6384	CABLE, R.P.B. 788 TO RELAY 554 AND CENTRE BOMB PLUG 812, GROUP				1	—		
	3519V6384	CABLE, 16P TO PORT ANTI-COLLISION LAMP, GROUP				1	—		
	3520V6384	CABLE, UPPER ANTI - COLLISION LAMP TO EARTH, GROUP				1	—		

ELECTRICAL INSTALLATION  
NOSEWHEEL BAY

Ref. No.	Part No.	Description				No. off	Matl. Spec.	Cl. of St.	Plate and Illust'n No.
		1	2	3	4			M.R.	
	2638V6384	CABLE, R.P.B. 789 TO CENTRE BOMB PLUG 813, GROUP				1	—		
	2639V6384	CABLE, R.P.B. 790 TO CENTRE BOMB PLUG 814, GROUP				1	—		
	2640V6384	CABLE, R.P.B. 801 TO CENTRE BOMB PLUG 818 AND RELAY 547, GROUP				1	—		
	2659V6384	CABLE, No. 2 HYDRAULIC PRESS TO 16P, GROUP				1	—		
	2660V6384	CABLE, No. 1 HYDRAULIC PRESS TO 16P, GROUP				1	—		
	2663V6384	CABLE, DECOMPRESSION SWITCH TO EARTH, GROUP				1	—		
	2678V6384	CABLE, CIRCUIT BREAKER 89 TO EARTH, GROUP				1	—		
	2680V6384	CABLE, CIRCUIT BREAKER 89 TO 15P, GROUP				1	—		
	2901V6384	CABLE, TB. 288 TO RED DETECTOR, No. 1 TANK, PORT, GROUP				1	—		
	2902V6384	CABLE, TB. 286 TO BLACK DETECTOR, No. 1 TANK, PORT, GROUP				1	—		
	2906V6384	CABLE, TB. 190 TO RED DETECTOR, No. 1 TANK, STARBOARD, GROUP				1	—		
	2907V6384	CABLE, TB. 190 TO BLACK DETECTOR, No. 1 TANK, STARBOARD, GROUP				1	—		
	3043V6384	CABLE, 13P TO STARBOARD DOWN MICRO SWITCH, GROUP				1	—		
	3044V6384	CABLE, TB. 1320 TO STARBOARD DOWN MICRO SWITCH, GROUP				1	—		
	3081V6384	CABLE, EXPLOSION SUPPRESSION INDICATOR PANEL TO EARTH, GRP. (Mod. 606)				1	—		
	3521V6384	CABLE, STARBOARD ANTI-COLLISION LAMP TO EARTH, GROUP				1	—		
	3522V6384	CABLE, PORT ANTI-COLLISION LAMP TO EARTH, GROUP				1	—		
	3523V6384	CABLE, N.W.B., Nos. 1 AND 2 RESISTORS TO PHASE EQUALISER, GROUP				1	—		
	3524V6384	CABLE, N.W.B., Nos. 1 AND 2 RESISTORS TO PHASE EQUALISER, GROUP				1	—		

## ELECTRICAL INSTALLATION

## NOSEWHEEL BAY

Ref. No.	Part No.	Description				No. off	Matl. Spec.	Cl. of St.	Plate and Illust'n No.
		1	2	3	4			M.R.	
	3083V6384	CABLE, BULKHEAD CONNECTOR TO FUSE, No. 1 TANK, STARBOARD, GRP. (Mod. 606)				1	—		
	3085V6384	CABLE, TEST SOCKET TO TEST LAMP, FUSE, TB. 288 AND EARTH, GROUP (Mod. 606)				1	—		
	3087V6384	CABLE, TEST SOCKET TO TEST LAMP, FUSE, TB. 190 AND EARTH, GROUP (Mod. 606)				1	—		
	5001V6384	CABLE, WING TRANSPORT BREAK 252 TO 16P, 17P, RELAY 239 AND 17P TO TBs. 707 AND 712, GROUP				1	—		
	5002V6384	CABLE, WING TRANSPORT BREAK 250 TO 16P, 17P, RELAY 240 AND 17P TO TBs. 706 AND 710, GROUP				1	—		
	5006V6384	CABLE, 17P 271 TO PORT AMPLIFIER, GROUP				1	—		
	5007V6384	CABLE, 17P 270 TO AMPLIFIER AND RELAYS 342 AND 343, GROUP				1	—		
	5030V6384	CABLE, TB. 727 TO EARTH, GROUP				1	—		
	5040V6384	CABLE, 38P TO TB. 717, GROUP				1	—		
	5041V6384	CABLE, 38P TO R.P.B. 118, GROUP				1	—		
	5050V6384	CABLE, TB. 211 (13P) TO SWITCH, GRP.				1	—		
	5079V6384	CABLE, TB. 718 TO EARTH, GROUP				1	—		
	5092V6384	CABLE, No. 2 FUEL PUMP TO No. 2 RESISTOR AND TB. 260 (18P), GROUP				1	—		
	5131V6384	CABLE, R.P.B. 135 TO SERVO MOTOR, GROUP				1	—		
	3525V6384	CABLE, N.W.B., PHASE EQUALISER TO No. 2 AND 3 RESISTOR, GROUP				1	—		
	3526V6384	CABLE, N.W.B., PHASE EQUALISER TO No. 3 AND 4 RESISTOR, GROUP				1	—		
	5893V6384	CABLE, R.P.B. 123 TO 18P AND 24P, GROUP (Mod. 697)				1	—		
	5218V6384	CABLE, R.P.B. 134 TO 18P, GROUP				1	—		
	5243V6384	CABLE, 13P TO PORT FORWARD SWITCH, GROUP				1	—		

**ELECTRICAL INSTALLATION**  
**NOSEWHEEL BAY**

Ref. No.	Part No.	Description	No. off	Mati. Spec.	Cl. of	Plate
					St.	and
		1 2 3 4			M.R.	Illust'n No.
	5244V6384	CABLE, 13P TO STARBOARD FORWARD SWITCH, GROUP	1	—		
	5245V6384	CABLE, 13P TO SWITCH, GROUP ...	1	—		
	5249V6384	CABLE, R.P.B. 163 TO TBs. 576 AND 577 (2J), GROUP	1	—		
	5911V6384	CABLE, R.P.B. 102 TO 18P, 19P AND 26P, GROUP	1	—		
	5278V6384	CABLE, R.P.B. 117 TO No. 2 INVERTER, GROUP	1	—		
	5279V6384	CABLE, R.P.B. 126 TO No. 3 INVERTER, GROUP	1	—		
	5280V6384	CABLE, R.P.B. 114 TO No. 1 INVERTER, GROUP	1	—		
	5917V6384	CABLE, R.P.B. 159 TO 1J, 2J, AIR CONDITIONING UNIT, DECOMPRESSION SWITCH AND DOOR INDICATOR, GROUP	1	—		
	5422V6384	CABLE, R.P.B. 762 TO RUDDER SERVO, GROUP	1	—		
	5423V6384	CABLE, AILERON SERVO TO R.P.B. 763, GROUP	1	—		
	3527V6384	CABLE, N.W.B., PHASE EQUALISER TO No. 3 AND 4 RESISTOR, GROUP	1	—		
	3542V6384	CABLE, PLUG 598 TO R.P.B. 1010 AND EARTH GROUP	1	—		
	5070V6384	CABLE, No. 1 TEST COIL TO EARTH, GROUP	1	—		
	5256V6384	CABLE, R.P.B. 102 TO 18P AND 19P, GROUP	1	—		
	5434V6384	CABLE, R.P.B. 111 TO 1J-113, GROUP ...	1	—		
	5742V6384	CABLE, PROTECTIVE RELAY UNIT TO R.P.B. 166 AND 2J, GROUP	1	—		
	5823V6384	CABLE, R.P.B. 126 TO 1J AND 2J, GROUP	1	—		
	5558V6384	CABLE, R.P.B. 138 TO 22P, GROUP ...	1	—		
	6053V6384	CABLE, R.P.B. 107 TO 1J13 AND 2J15, GROUP (Mod. 633)	1	—		

ELECTRICAL INSTALLATION  
NOSEWHEEL BAY

Ref. No.	Part No.	Description				No. off	Matl. Spec.	Cl. of St.	Plate and Illust'n No.
		1	2	3	4			M.R.	
	5438V6384	CABLE, R.P.B. 160 TO 16P, GROUP ...				1	—		
	5487V6384	CABLE, 16P TO MASS FLOW ACTUATORS, PORT AND STARBOARD GPS.				1	—		
	5497V6384	CABLE, R.P.B. 105 TO CIRCUIT BREAKERS 37 AND 38, AND 16P, GROUP				1	—		
	5506V6384	CABLE, R.P.B. 168 TO TBs. 646 AND 1205, GROUP				1	—		
	5507V6384	CABLE, R.P.B. 169 TO TB. 676 AND 1205, GROUP				1	—		
	5536V6384	CABLE, R.P.B. 139 TO 7J, GROUP ...				1	—		
	5546V6384	CABLE, R.P.B. 110 TO 16P, 30P AND No. 1 ENGINE PLUG 254, ALSO PLUG 254 TO 16P AND 30P, GROUP				1	—		
	5547V6384	CABLE, R.P.B. 103 TO 16P, 31P AND No. 2 ENGINE PLUG 258, ALSO PLUG 258 TO 16P AND 31P, GROUP				1	—		
	5577V6384	CABLE, R.P.B. 119 TO 16P, 13P AND 56P, GROUP				1	—		
	5582V6384	CABLE, ELEVATOR SERVO TO R.P.B. 127, GROUP				1	—		
	5589V6384	CABLE, R.P.B. 165 TO 16P AND DE-COMPRESSION SWITCH, GROUP				1	—		
	5639V6384	CABLE, R.P.B. 634 TO TB. 589, GROUP				1	—		
	5682V6384	CABLE, R.P.B. 104 TO 16P, 13P AND 1J, GROUP				1	—		
	5687V6384	CABLE, CIRCUIT BREAKER 42 TO RELAY 579, GROUP				1	—		
	6115V6384	CABLE, R.P.B. 142 TO 1J13, 16P-9 AND RELAYS 416, 702 AND 703, GROUP				1	—		
	6125V6384	CABLE, 16P-18 TO 38P AND 39P, GROUP				1	—		
	6126V6384	CABLE, 16P TO 38P, GROUP ...				1	—		
	6127V6384	CABLE, 16P-11 TO 38P, GROUP ...				1	—		
	6129V6384	CABLE, No. 1 TANK BAY LEVELLING SWITCH TO 16P-9, GROUP				1	—		
	6130V6384	CABLE, No. 2 TANK BAY LEVELLING SWITCH TO RELAY 416-4, GROUP				1	—		
	6131V6384	CABLE, No. 2 TANK LEVELLING SWITCH TO TBs. 727 AND 1150, GROUP				1	—		

**ELECTRICAL INSTALLATION**  
**NOSEWHEEL BAY**

Ref. No.	Part No.	Description				No. off	Matl. Spec.	Cl. of St.	Plate and Illust'n No.
		1	2	3	4			M.R.	
	5716V6384	CABLE, R.P.B. 132 TO 1J AND 2J, GROUP				1	—		
	5742V6384	CABLE, PROTECTIVE RELAY UNIT TO R.P.B. 166 AND 2J, GROUP (Pre-Mod. 548)				1	—		
	5743V6384	CABLE, 16P TO 2J, GROUP				1	—		
	5778V6384	CABLE, R.P.B. 675 TO TB. 214 (13P) AND TB. 1320, GROUP (Mod. 564)				1	—		
	5827V6384	CABLE, TB. 288 TO GREEN DETECTOR, No. 1 TANK, PORT, GROUP (Mod. 606)				1	—		
	6172V6384	CABLE, R.P.B. 148 TO 16P-14 AND 15, GROUP				1	—		
	6181V6384	CABLE, R.P.B. 128 TO No. 3 INVERTER AND EQUALISER RESISTOR, GROUP				1	—		
	6185V6384	CABLE, R.P.B. 159 TO 1J-13, 2J-15 AIR CONDITIONING UNIT 374 DECOMPRESSION SWITCH AND DRIVE INDICATOR, GROUP				1	—		
	6188V6384	CABLE, No. 1 TANK REFUELLING VALVE TO 16P-9, GROUP				1	—		
	6189V6384	CABLE, 16P-5 TO No. 1 TANK BAY REFUELLING VALVE AND LEVELLING SWITCH, GROUP				1	—		
	5828V6384	CABLE, TB. 190 TO GREEN DETECTOR, No. 1 TANK, STARBOARD, GROUP (Mod. 606)				1	—		
	3114V6384	CABLE, FUSES 1088 AND 1089 TO No. 1 SHUNT, GROUP (Mod. 621)				1	—		
	3115V6384	CABLE, FUSES 1090 AND 1091 TO No. 2 SHUNT, GROUP (Mod. 621)				1	—		
	3116V6384	CABLE, FUSES 1092 AND 1093 TO No. 3 SHUNT, GROUP (Mod. 621)				1	—		
	3130V6384	CABLE, No. 1 ROTARY TO No. 1 SHUNT, GROUP (Mod. 621)				1	—		
	3131V6384	CABLE, No. 2 ROTARY TO No. 2 SHUNT, GROUP (Mod. 621)				1	—		
	3132V6384	CABLE, No. 3 ROTARY TO No. 3 SHUNT, GROUP (Mod. 621)				1	—		
	3133V6384	CABLE, TB. 503 TO TB. 470 (30P), GROUP (Mod. 621)				1	—		
	3134V6384	CABLE, TB. 503 TO TB. 478 (31P), GROUP (Mod. 621)				1	—		

ELECTRICAL INSTALLATION  
NOSEWHEEL BAY

Ref. No.	Part No.	Description				No. off	Matl. Spec.	Cl. of St.	Plate and Illust'n No.
		1	2	3	4			M.R.	
	3135V6384	CABLE, TB. 504 TO TB. 486 (32P), GROUP (Mod. 621)				1	—		
	5772V6384	CABLE, PROTECTIVE RELAY UNIT TO R.P.B. 166 AND 2J, GROUP (Mod. 548)				1	—		
	6010V6384	CABLE, R.P.B. 635 TO 56P, GROUP (Mod. 696)				1	—		
	1947V6384	CABLE, No. 1 INVERTER TO TB. 714, GROUP (Pre-Mod. 591)				1	—		
	5831V6384	CABLE, No. 1 INVERTER TO TB. 214, GROUP (Mod. 591) (Mod. 177)				1	—		
	1950V6384	CABLE, TB. 714 TO RELAY 212 (18P), GROUP (Pre-Mod. 591)				1	—		
	5832V6384	CABLE, TB. 214 TO RELAY 212 (18P), GROUP (Mod. 591)				1	—		
	5833V6384	CABLE, 32J TO TB. 1334, GROUP (Mod. 591)				1	—		
	6204V6384	CABLE, 15P TO TB. 1349, GROUP ...				1	—		
	6213V6384	CABLE, 13P TO 21P, GROUP ...				1	—		
	6219V6384	CABLE, R.P.B. 124 TO 43P, GROUP ...				1	—		
	6276V6384	CABLE, OIL PRESSURE INDICATOR FUEL TANK PRESSURE INDICATOR AND DE-ICING ACTUATOR, GROUP				1	—		
	5847V6384	CABLE, 16P TO 2J, 26P AND INSPECTION SOCKET, GROUP (Mod. 633)				1	—		
	5848V6384	CABLE, R.P.B. 124 TO 1J, 2J AND 43P, GROUP (Mod. 633)				1	—		
	5851V6384	CABLE, CENTRE BOMB 817 AND 819 TO R.P.Bs. 803, 823 AND 824, GROUP (Mod. 615)				1	—		
	5879V6384	CABLE, 17P 274 TO TBs. 702, 703 AND 706 CIRCUIT BREAKER 32 AND MICRO SWITCH, GROUP				1	—		
	5880V6384	CABLE, 17P 269 TO TBs. 707 AND 709, CIRCUIT BREAKER 33 AND MICRO SWITCH, GROUP				1	—		

ELECTRICAL INSTALLATION

NOSEWHEEL BAY

Ref. No.	Part No.	Description	No. off	Matl. Spec.	Cl. of St.	Plate and Illust'n No.
					M.R.	
		1 2 3 4				
	2634V8920	CABLE, PROTECTION RELAY UNIT TO R.P.Bs. 797, 805 AND EARTH, GROUP	1	—		
	2635V8920	CABLE, PROTECTION RELAY UNIT TO R.P.B. 799 AND EARTH, GROUP	1	—		
	2637V8920	CABLE, R.P.B. 788 TO RELAY 554 AND EARTH, GROUP	1	—		
	2638V8920	CABLE, R.P.B. 789 TO RELAY 547 AND EARTH, GROUP	1	—		
	2639V8920	CABLE, R.P.B. 790 TO EARTH, GROUP	1	—		
	2640V8920	CABLE, R.P.B. 801 TO RELAY 547 AND EARTH, GROUP	1	—		
	5852V8920	CABLE, R.P.B. 803, R.P.B. 824 AND EARTH, GROUP	1	—		
	AS4805/15	Capping, cable duct, 15" long ...	4	—		
	AS4805/16	Capping, cable duct, 16" long ...	1	—		
	AS4805/18	Capping, cable duct, 18" long ...	1	—		
	AS4805/19	Capping, cable duct, 19" long ...	4	—		
	AS4805/21	Capping, cable duct, 21" long ...	2	—		
	AS4805/30	Capping, cable duct, 30" long ...	2	—		
	AS4805/35	Capping, cable duct, 35" long ...	2	—		
		(Make these Cappings from AS4805/42, Ref. 4304)				
4623	AS4805/45	Capping, cable duct, 45" long ...	2	—	C	F12/14
	AS4805/46	Capping, cable duct, 46" long ...	1	—	C	
	ROTAX D6545	Circuit-breaker ...	1	—	A	F12/15
SCY/5379		Circuit-breaker, type A1, 5 amp. ...	5	—	A	F12/18
SCY/2559		Circuit-breaker, type A4, 25 amp. ...	2	—	A	F12/19
SCY/9992777		Circuit-breaker, type A6, 45 amp. ...	5	—	A	F12/20
SCY/2564						F12/16
		<b>CIRCUIT-BREAKER, MOUNTING (45V6353)</b>				
		Spares for:—				
4624	34V6353	<b>BRACKET, MOUNTING, GROUP</b> ...	1	—	C	F12/17
		Spares for:—				
	800SS6002	Label ...	1	—		
3569	AS4822	Clip, spring ...	55	—	C	F12/22
4308	3bSS4205	Clip, cable, 0-22" dia. ...	12	PVC	C	
4311	6bSS4205	Clip, cable, 1/8" dia. ...	12	PVC	C	
4312	7bSS4205	Clip, cable, 3/16" dia. ...	20	PVC	C	
4313	8bSS4205	Clip, cable, 1/4" dia. ...	10	PVC	C	
4315	10bSS4205	Clip, cable, 5/16" dia. ...	12	PVC	C	
4317	11bSS4205	Clip, cable, 3/8" dia. ...	1	PVC	C	
11154	12bSS4205	Clip, cable, 7/16" dia. ...	6	PVC	C	
	13bSS4205	Clip, cable, 1/2" dia. ...	3	PVC	C	
8325	14bSS4205	Clip, cable, 5/8" dia. ...	10	PVC	C	
	16bSS4205	Clip, cable, 3/4" dia. ...	5	PVC	C	
		Cover, 2-way terminal block ...	1	—	C	F11/23
5X/9402796		Cover, 3-way terminal block ...	1	—	C	F11/24
5X/9402795		Caps, protecting ...	12	—	C	F12/21
SCY/4520						

ELECTRICAL INSTALLATION

NOSEWHEEL BAY

Ref. No.	Part No.	Description				No. off	Matl. Spec.	Cl. of St.	Plate and Illust'n No.
		1	2	3	4			M.R.	
5CZ/1793	ROTAX 16936/1 ERMA 1219	Cover, terminal block ... ..				2	—	C	
		Connector, in line ... ..				7	—	C	
		<b>CRATE, FOR DC/AC ROTARIES AND EQUIPMENT (1V6580)</b>							
		Spares for:—							
		<b>BOX, JUNCTION, 7J (1V7371)</b>							
		Spares for:—							
26FP/8735	1V5650 1V7372  540SS6003 541SS6003 542SS6003 543SS6003 544SS6003 545SS6003 T. HEADLAND S4-200	Block, terminal ... ..				3	—	C	F11/3
		<b>BOX, JUNCTION, GROUP</b> ...				1	—	MR	F11/26
		Spares for:—							
		Label, " 540 " ... ..				1	L59		
		Label, " 541 " ... ..				1	L59		
		Label, " 542 " ... ..				1	L59		
		Label, " 543 " ... ..				1	L59		
Label, " 544 " ... ..				1	L59				
Label, " 545 " ... ..				1	L59				
28FP/9430916		Spring ... ..				6	—	C	
4625	2V7371	<b>COVER, GROUP</b> ... ..				1	—	C	F11/27
		Spares for:—							
28FP/146	A4-25	Fastener ... ..				6	—	C	
28FP/9430915	GA4-250	Grommet ... ..							
5X/6622	14V5650	Socket, double ... ..				4	—	B	F11/18
5X/6623	15V5650	Socket, single ... ..				1	—	B	F11/29
		N.S.F. LTD., LX/S/11218/ DM4							
		Unit, switch, " Ledex " ... ..				1	—	A	F11/30
4626	4V6578 MARCONI RID1004/A	Catch, retaining ... ..				6	DTD3648	C	F11/31
		<b>DEVICE, LOCKING GROUP</b> ... ..				6	—		F11/32
		Consisting of:—							
		Nut ... ..				1	—		
		Nut ... ..				1	—		
		Spring ... ..				1	—		
		Spring ... ..				1	—		
		Stud ... ..				1	—		
		Washer ... ..				1	—		
SUB/5501		Inverter, type 350 ... ..				3	—	A	F11/33
		STAN. TELE 5bRID1012-1							
		Member, side R.H. ... ..				3	—		
		STAN. TELE. 5bRID1012-2							
		Member, side L.H. ... ..				3	—		
4627	1V6578	<b>MOUNTING TRAY FOR CONTROL PANEL, TYPE 16, GROUP</b>				2	—	C	F11/34
		Spares for:—							
4626	4V6578	Catch, retaining ... ..				2	DTD364B	C	F11/31

ELECTRICAL INSTALLATION  
NOSEWHEEL BAY

Ref. No.	Part No.	Description	No. off	Matl. Spec.	Cl. of St.	Plate and Illust'n No.
					M.R.	
		1 2 3 4				
		<b>MOUNTING TRAY FOR CONTROL PANEL, TYPE 16, GROUP (1V6578)</b> (Cont'd.)				
	MARCONI RID1004/A	<b>DEVICE, LOCKING, GROUP</b> ... (For breakdown see previous group)	2	—		F11/32
	STAN. TELE. 12b/RID/1011-1	<b>Member, horizontal</b> ...	2	—		
	5b/RID/1012-2	<b>Member, side L.H.</b> ...	1	—		
	5b/RID/1012-1	<b>Member, side R.H.</b> ...	1	—	B	F11/35
10AJ/138	—	<b>Mounting, A.V.</b> ...	4	—	C	F11/36
4628	2V6578	<b>Peg, locating</b> ...	2	S-1		
4629	48V6580	<b>Washer</b> ...	8	L72	C	F11/37
	STAN. TELE. RID1012/3	<b>Washer</b> ...	10	—		F11/38
	—	<b>Panel, control, type 16</b> ...	3	—	A	F11/39
5UC/5502	—	<b>Peg, locating</b> ...	6	S-1	C	F11/36
4628	2V6578	<b>Unit, rectifier, type CP.16</b> ...	3	—	A	F11/40
5UC/5841	—	<b>Detector, fire</b> ...	1	—	B	F12/41
5CZ/5551	—	<b>Dome, glass</b> ...	2	—	C	F11/42
5CX/720	—	<b>Duct, cable, 15" long</b> ...	4	—		
	15SS4374	<b>Duct, cable, 16" long</b> ...	1	—		
	16SS4374	<b>Duct, cable, 18" long</b> ...	1	—		
	18SS4374	<b>Duct, cable, 19" long</b> ...	4	—	C	
6338	19SS4374	<b>Duct, cable, 21" long</b> ...	2	—		
	21SS4374	<b>Duct, cable, 30" long</b> ...	2	—		
	30SS4374	<b>Duct, cable, 35" long</b> ...	2	—	C	
6339	35SS4374	<b>Duct, cable, 45" long</b> ...	2	—	C	F12/77
6340	45SS4374	<b>Duct, cable, 46" long</b> ...	1	—	C	
10646	46SS4374	<b>Fastener, insulgrip, type 2</b> ...	4	—		
	15S5370	<b>Filament</b> ...	2	—	B	
5L/9953202	—	<b>Filament, 28V, 40V</b> ...	1	—	B	
5L/9952445	—	<b>Fuseholder</b> ...	2	—	C	
	GRAVINER A381	<b>Fuse, 2.5 amp.</b> ...	45	—	C	
5CZ/5209	—	<b>Fuse, 5 amp.</b> ...	10	—	C	
5CZ/5215	—	<b>Fuse, 10 amp.</b> ...	19	—	C	
5CZ/5216	—	<b>Fuse, 20 amp.</b> ...	1	—	C	
5CZ/5218	—	<b>LAMP, CABIN, GROUP</b> ...	2	—	B	
	1V6798	Spares for:— <b>Lamp</b> ...	2	—		
5CW/701	—	<b>Lamp, navigation</b> ...	1	—		
5CX/5315	—	<b>LINK, PLUG, GROUP (Mod. 606)</b> ... (For Breakdown—See Electrical Installation— Mainplane)	2	—	B	F11/43
10002	2V9472	<b>MOUNTING, FUEL, FLOWMETER AMPLIFIER, PORT (1V7397)</b> ... Spares for:—				F11/44
	—	<b>Amplifier, flowmeter, type 3D122</b> ...	1	—	A	F11/45
6A/4253	—	<b>BRACKET, MOUNTING, GROUP</b> ...	1	—		F11/46
	2V7397	<b>Tray, mounting, amplifier</b> ...	1	—	B	F11/47
6A/4416	—					

ELECTRICAL INSTALLATION

NOSEWHEEL BAY

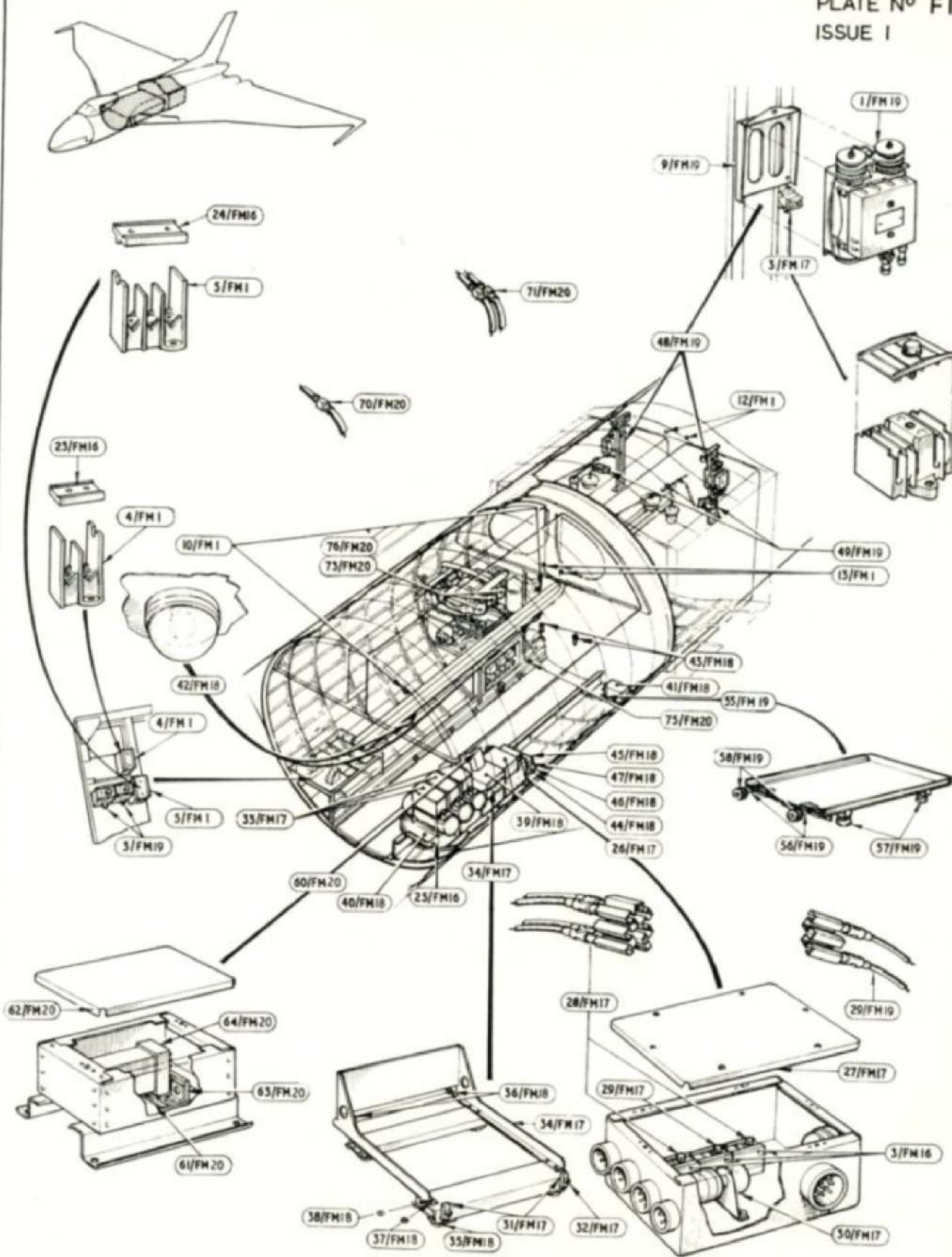
Ref. No.	Part No.	Description				No. off	Matl. Spec.	Cl. of St.	Plate and Illust'n No.
		1	2	3	4			M.R.	
		<b>MOUNTING, FUEL CONTENTS GAUGE, AMPLIFIER, No. 2 TANK, PORT AND STARBOARD (1 &amp; 2 V6170)</b>							F11/48
		Spares for:—							
6A/2729	FCA	Amplifier	...	...	...	1	—	A	F11/1
26FP/8735	1V5650	Block, terminal	...	...	...	1	—	B	F11/3
6A/3813	KA	Bracket, amplifier, mounting	...	...	...	1	—	B	F11/9
6A/4077	SMITHS CS12	Cable, co-axial	...	...	...	1	—	B	
6A/4089	SMITHS JY3	Gauge, fuel contents, box, type 2	...	...	...	1	—	A	F11/49
5X/6623	15V5650	Socket, single	...	...	...	1	—	A	F11/29
	1V6618	<b>MOUNTING "ND" MICRO-SWITCH GROUP</b>				2	—		F12/50
		Spares for:—							
2854	6V6618	Bolt, pin	...	...	...	1	S96	C	F12/51
2853	4V6618	Lever, hinged	...	...	...	1	L33	C	F12/52
2204	4V6640	Pin, striking	...	...	...	1	S80	C	F12/53
5CW/4742	C1831Y	Unit, sequence switch	...	...	...	1	—	A	F12/54
		<b>MOUNTING, FIRE DETECTOR, PORT (1V6901)</b>							
		Spares for:—							
5CZ/5551	—	Detector, fire	...	...	...	1	—	B	F11/41
4634	1V6897	<b>MOUNTING, TRAY, FIRE DETECTOR GROUP</b>				1	—	C	F11/55
		Spares for:—							
4635	4V6756	Bolt, swing	...	...	...	2	—	C	F11/56
10AJ/153	—	Mounting, A.V.	...	...	...	4	—	B	F11/57
4636	5V6756	Nut, knurled	...	...	...	2	S-1	C	F11/58
4634	1V6897	<b>MOUNTING, TRAY, FIRE DETECTOR GROUP</b>				1	—	C	F11/55
		(For Breakdown see previous group)							
		<b>MOUNTING, RESISTORS (1V10991)</b>							
		Spares for:—							
	BIRCH 5905/99/0119869	Clip, spring	...	...	...	8	—	C	
	4V10991	Cover	...	...	...	1	—	C	
	6V7895	Mounting, resistor	...	...	...	8	—	C	
	4V10991	Packing	...	...	...	4	—	C	
10W/021174	—	Resistor	...	...	...	4	—	C	
3567	AS4809	Packing, cable ducts	...	...	...	42	—	C	F12/59
		<b>PANEL, DE-ICING, 17P (V6327)</b>							
		<b>PANEL DISTRIBUTION, 28V, 16P (V6325)</b>							
		<b>PANEL, POWER, 28V, 15P (V6323)</b>							
		(See Equipment Aircraft—Instrument Panels)							

ELECTRICAL INSTALLATION  
NOSEWHEEL BAY

Ref. No.	Part No.	Description				No. off	Mati. Spec.	Cl. of St. M.R.	Plate and Illust'n No.
		1	2	3	4				
		<b>PANEL, RELAY, 70P (1V9687) (Mod. 621)</b>							F11/60
		Spares for:—							
	5V8999	Insulator	...	...	...	1	—		F11/61
	3V9687	<b>LID, FOR PANEL, GROUP</b>				1	—		F11/62
		Spares for:—							
28FP/146	A4/25	Fastener	...	...	...	2	—	C	
28FP/9430915	GA4/250	Grommet	...	...	...	2	—	C	
	V9692	<b>LOOM, CABLE, GROUP</b>				1	—		
	4V8999	<b>MOUNTING, RELAY, GROUP</b>				1	—		F11/63
	1V9689	<b>PANEL, LESS EQUIPMENT, COMPLETE WITH LABELS, GROUP</b>				1	—		
10F/O119239	—	Relay, type SMS/M33	...	...	...	1	—	B	F11/64
		<b>PANEL, SHUNT (1V9631) (Mod. 621)</b>							F12/65
		Spares for:—							
5X/9033	—	Block, fuse	...	...	...	1	—	C	F12/66
26FP/8735	1V5650	Block, terminal	...	...	...	1	—	C	F12/3
5X/9030	—	Cover, fuse block	...	...	...	1	—	C	F12/67
	504V6374	Label, "TB.504"	...	...	...	1	L72		
	3V9631	<b>PANEL, LESS EQUIPMENT, GROUP</b>				1	—		
5Q/24969	—	Shunt	...	...	...	3	—	A	F12/68
5X/9028	—	Socket, terminal	...	...	...	12	—	C	F12/69
5CW/6098	PLESSEY	Relay	...	...	...	1	—	A	
5CW/3943	7CZ/105411/2	Relay, type "S", No. 2	...	...	...	5	—	A	
5X/9994577	—	Socket, single tier	...	...	...	5	—	C	F11/70
5X/9402799	—	Socket, double, single tier	...	...	...	3	—	C	F11/71
5X/6623	15V5650	Socket, single, double tier	...	...	...	29	—	B	F11/29
3568	AS4821	Spacer, for spring clips	...	...	...	55	—	C	F12/72
5X/	—	Splice, in line, 6 amp.	...	...	...	48	—	C	
5X/6944	—	Splice, in line, 12 amp.	...	...	...	32	—	C	
5X/6946	—	Splice, in line, 24 amp.	...	...	...	16	—	C	
5CW/4102	ROTAX	Spout, outlet	...	...	...	3	—	A	F11/73
	N45967	Switch, relay, type Q3	...	...	...	2	—	A	F12/74
	SS4088	Terminal, earth, $\frac{5}{16}$ " B.S.F.	...	...	...	2	—		F11/75
	SS4052	Terminal, earth, 2BA	...	...	...	1	—		
5UB/6552	—	Transformer, rotary, type 1050A	...	...	...	3	—	A	F11/76

ELECTRICAL INSTALLATION  
NOSEWHEEL BAY

Ref. No.	Part No.	Description				No. off	Matl. Spec.	Cl. of St.	Plate and Illust'n No.
		1	2	3	4			M.R.	
		<b>WIRING AND ELECTRICAL EQUIPMENT FOR ADDITIONAL SERVICES—(R.C.M.) (1V9843)</b>							
	AS4674	Bush	...	...	...	2	—	C	
	3168V6384	CABLE, R.P.B. 945 TO 68P, GROUP ...				1	—		
	3363V6384	CABLE, 16P TO RELAY 657, GROUP ...				1	—		
	3377V6384	CABLE, 16P TO FUSES 316 AND 313, GROUP				1	—		
	3378V6384	CABLE, 16P TO FUSES 312 AND 340, GROUP				1	—		
	3379V6384	CABLE, 16P TO FUSES 315 AND 327, GROUP				1	—		
	5913V6384	CABLE, R.P.B. 111 TO 1J, GROUP ...				1	—		
	5915V6384	CABLE, R.P.B. 106 TO 15P, 16P AND 1J, GROUP				1	—		
	5920V6384	CABLE, R.P.B. 119 to 16P-9, 26P-20 AND 56P GROUP				1	—		
	5983V6384	CABLE, R.P.B. 102 TO 18P, 19P AND 26P-29, GROUP				1	—		
	6046V6384	CABLE, "A" AILERON SERVO UNIT TO R.P.B. 763, GROUP				1	—		
	6182V6384	CABLE, R.P.B. 159 TO 1J13, 2J15, DRIVE INDICATOR, DECOMPRESSION SWITCH AND AIR CONDITIONING UNIT 374, GROUP				1	—		
26FP/13374	22SS3264	Clip, cable	...	...	...	1	—	C	
	30SS3264	Clip, cable	...	...	...	1	—	C	
	AS4580/5	Clip, cable	...	...	...	2	—	C	
5K/3685	—	Cover, insulating	...	...	...	4	—	C	
	ENGLISH ELEC. AS2½	Fuse, 2½ amp.	...	...	...	1	—		
	ENGLISH ELEC. ASS	Fuse, 5 amp.	...	...	...	2	—		
5X/9035	—	Link, commoning, 2-way	...	...	...	1	—	C	
5X/9042	—	Link, commoning, 9-way	...	...	...	1	—	C	
5X/9028	—	Socket	...	...	...	4	—	C	
5X/7018	—	Splice, in line	...	...	...	4	—	C	



ELECTRICAL INSTALLATION  
NOSE WHEEL BAY - FUSELAGE  
(1)



This file was downloaded  
from the RTFM Library.  
Link: [www.scottbouch.com/rtfm](http://www.scottbouch.com/rtfm)

Please see site for usage terms,  
and more aircraft documents.

