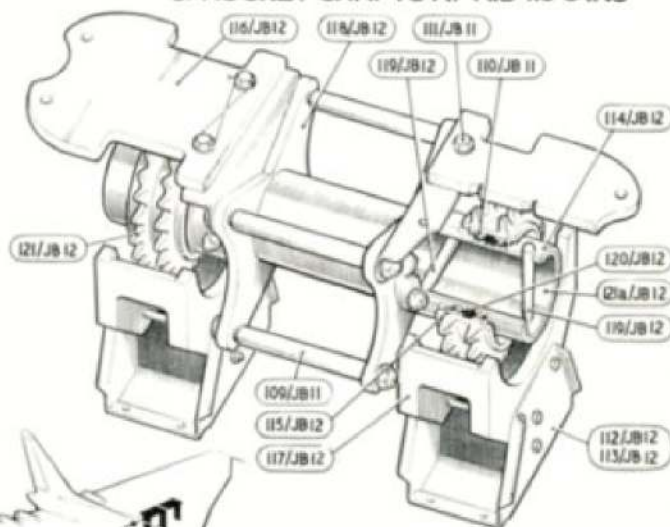
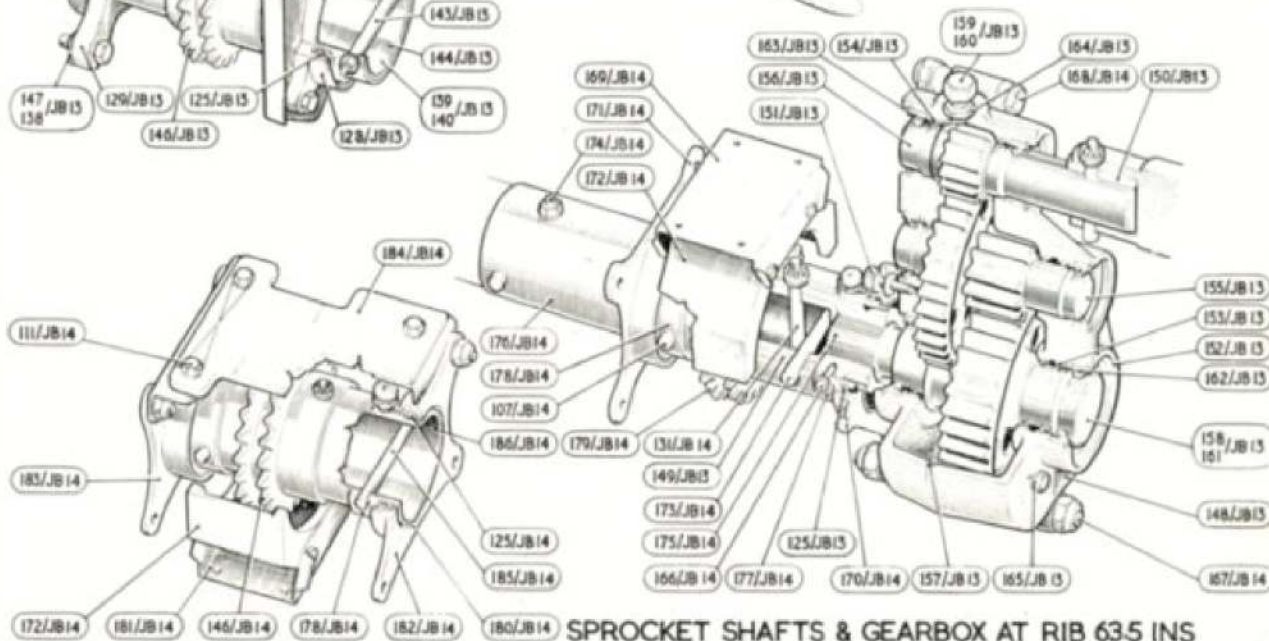
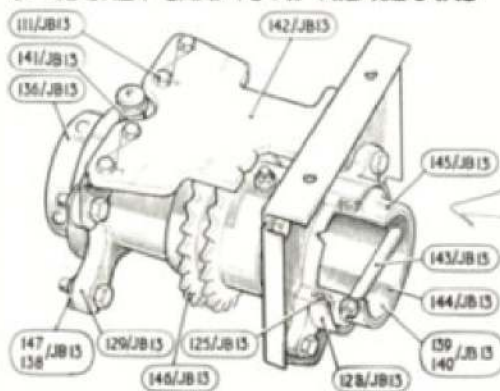


SPROCKET SHAFTS AT RIB 113-3 INS

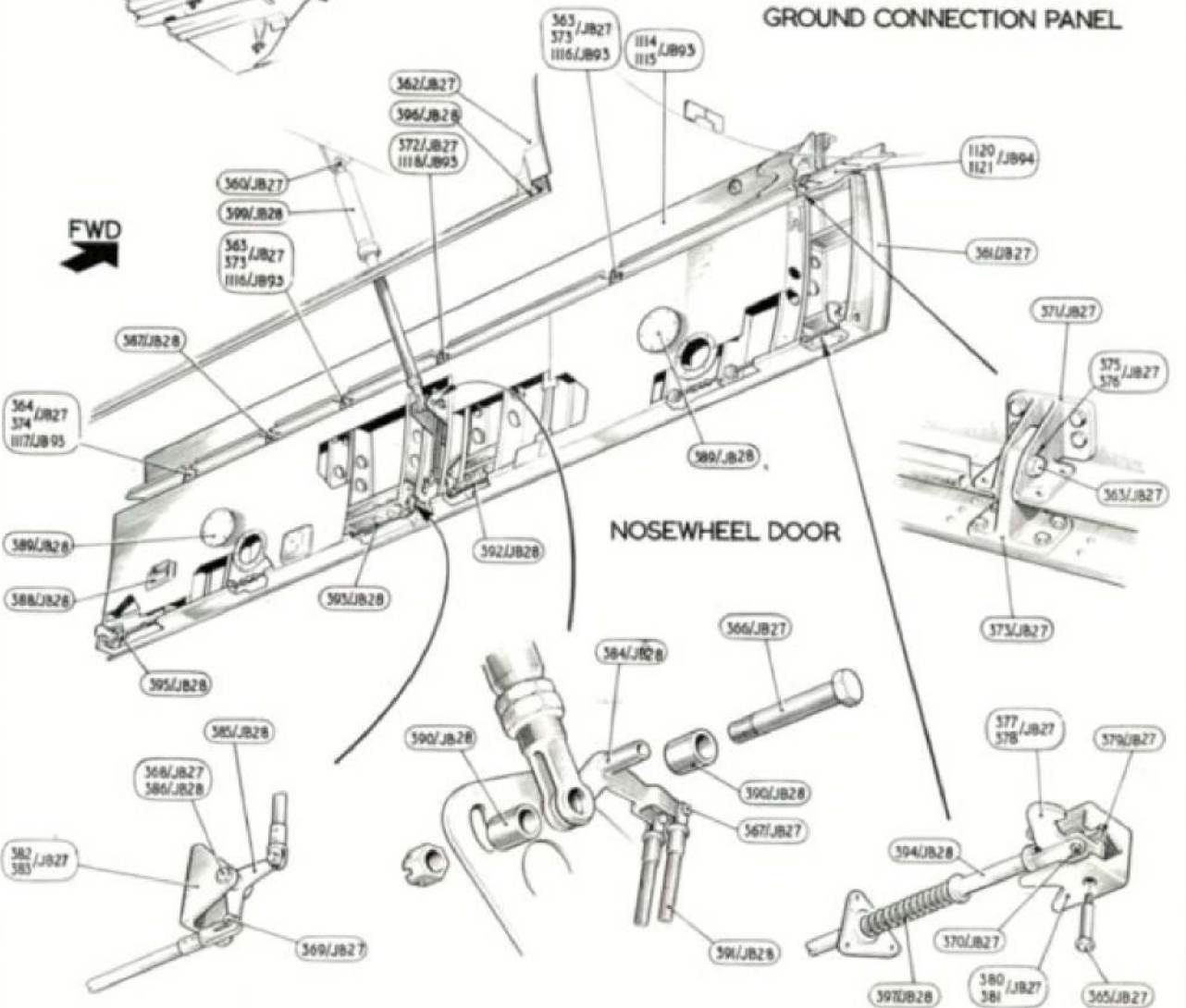
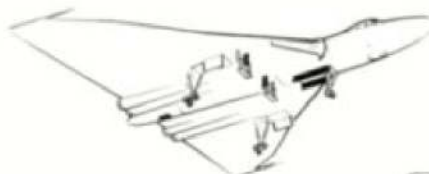
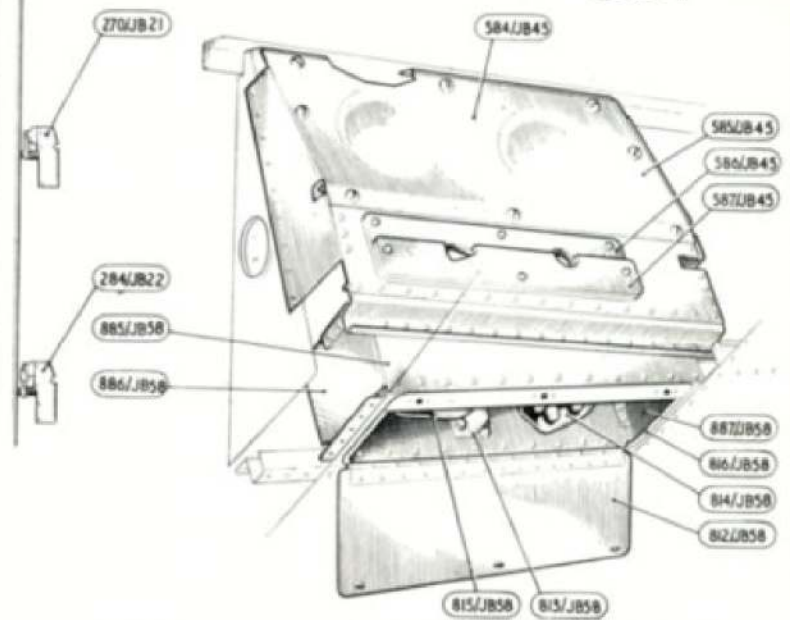
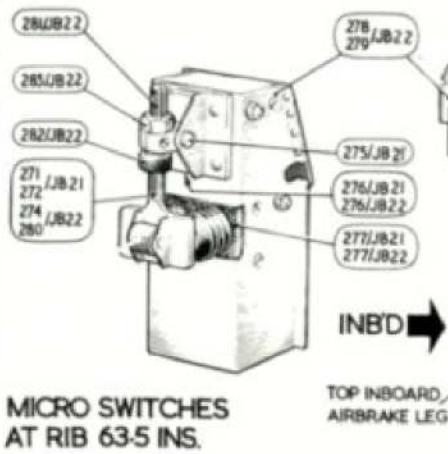


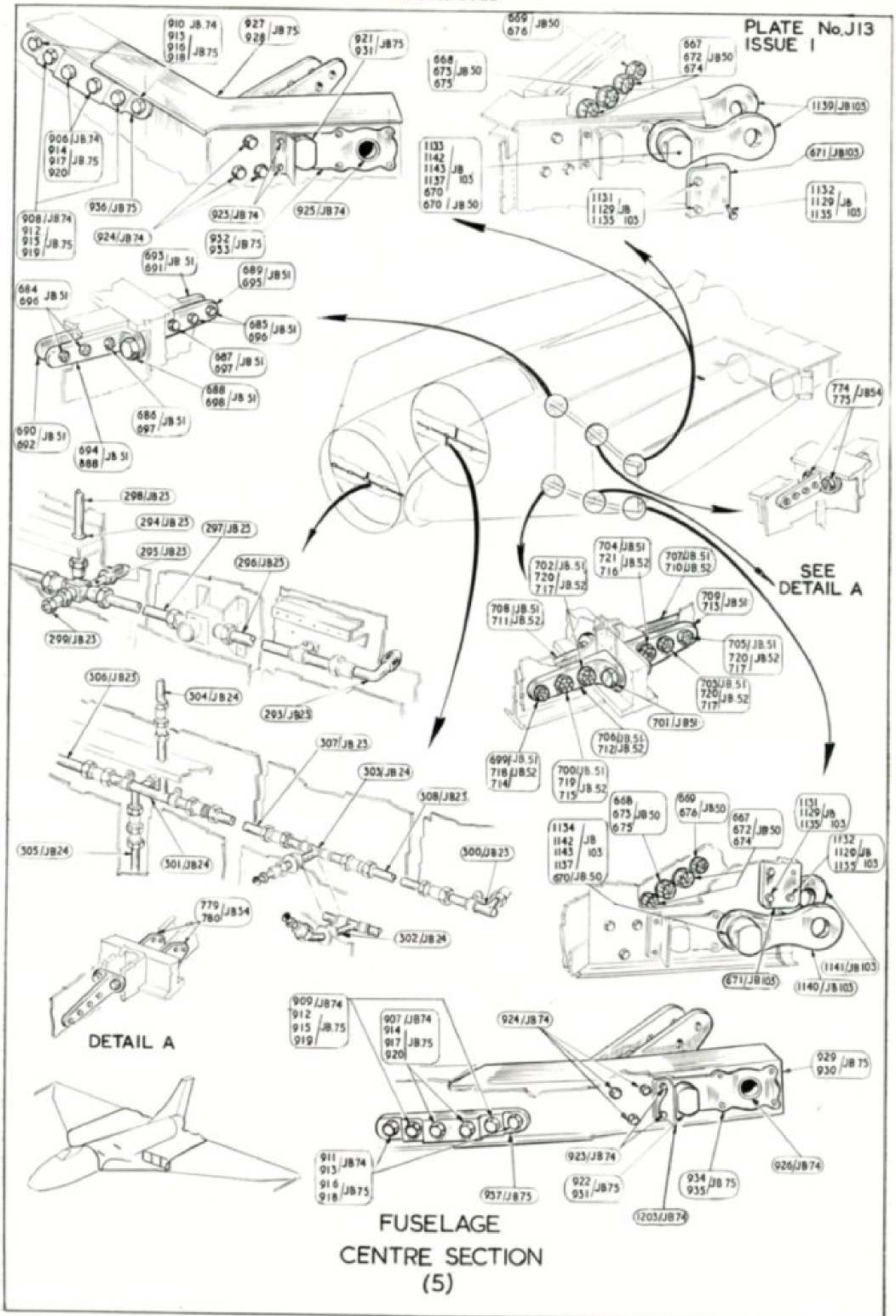
SPROCKET SHAFTS AT RIB 162.5 INS

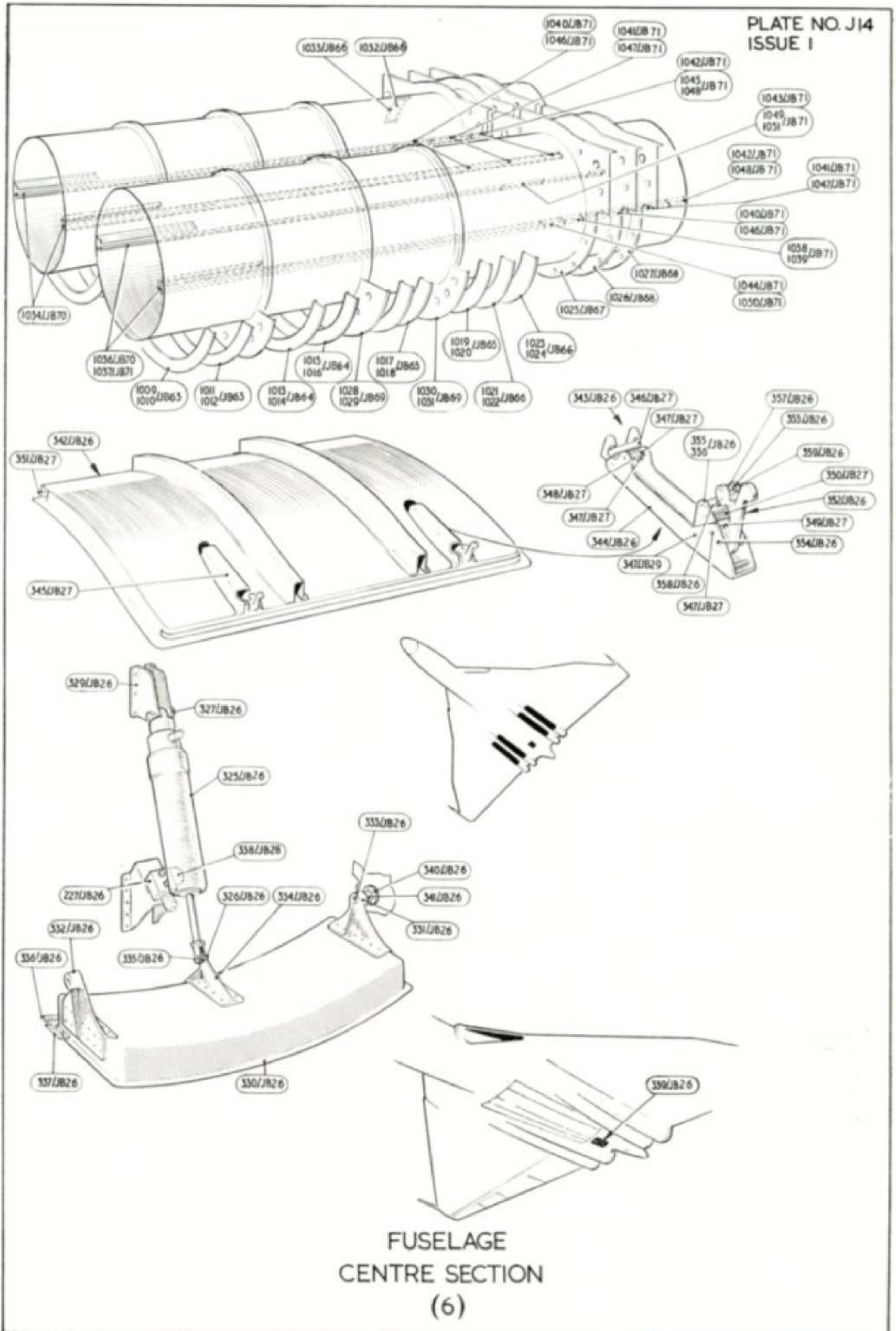


SPROCKET SHAFTS & GEARBOX AT RIB 635 INS  
FUSELAGE-CENTRE SECTION  
AIRBRAKE SPROCKET SHAFTS



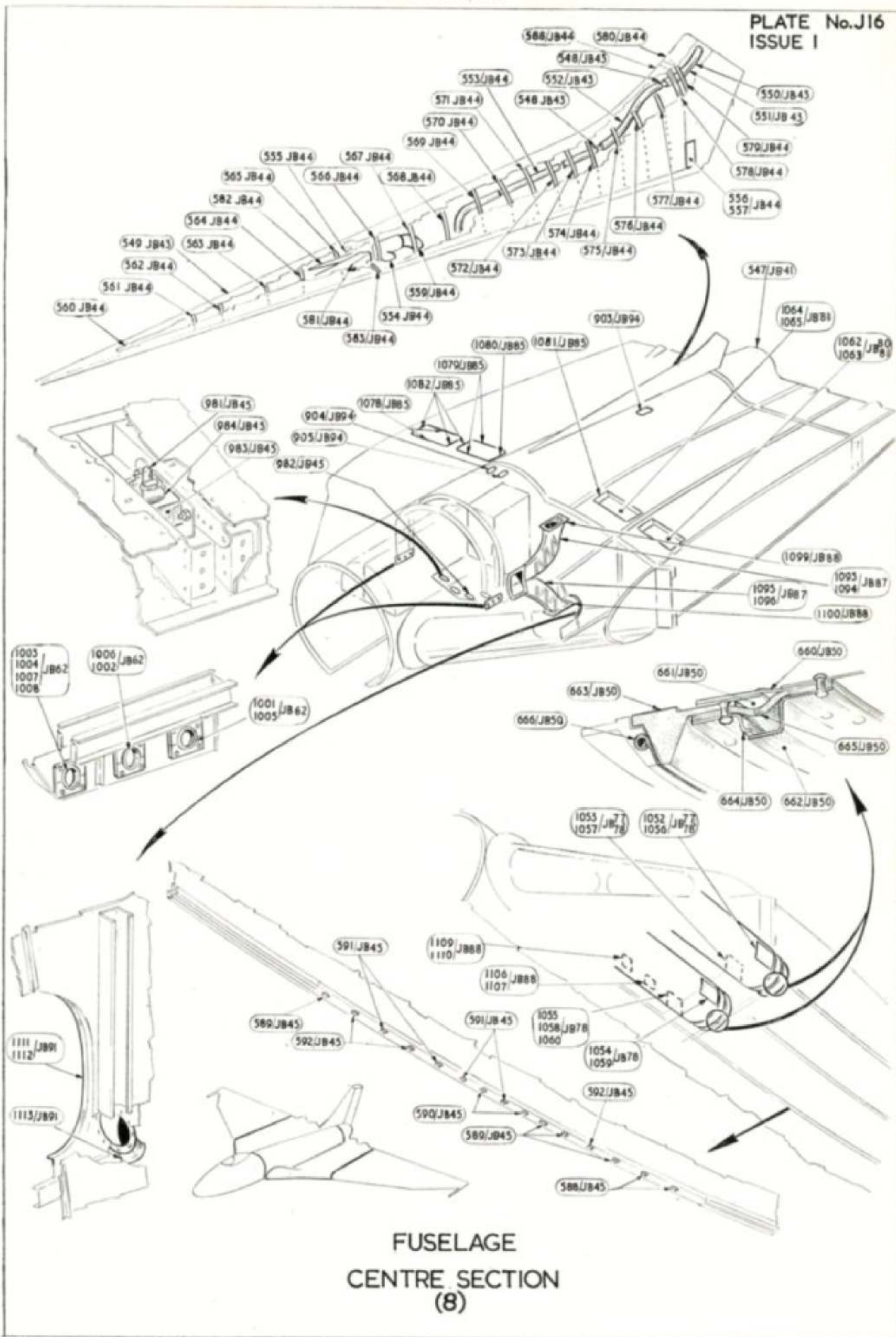




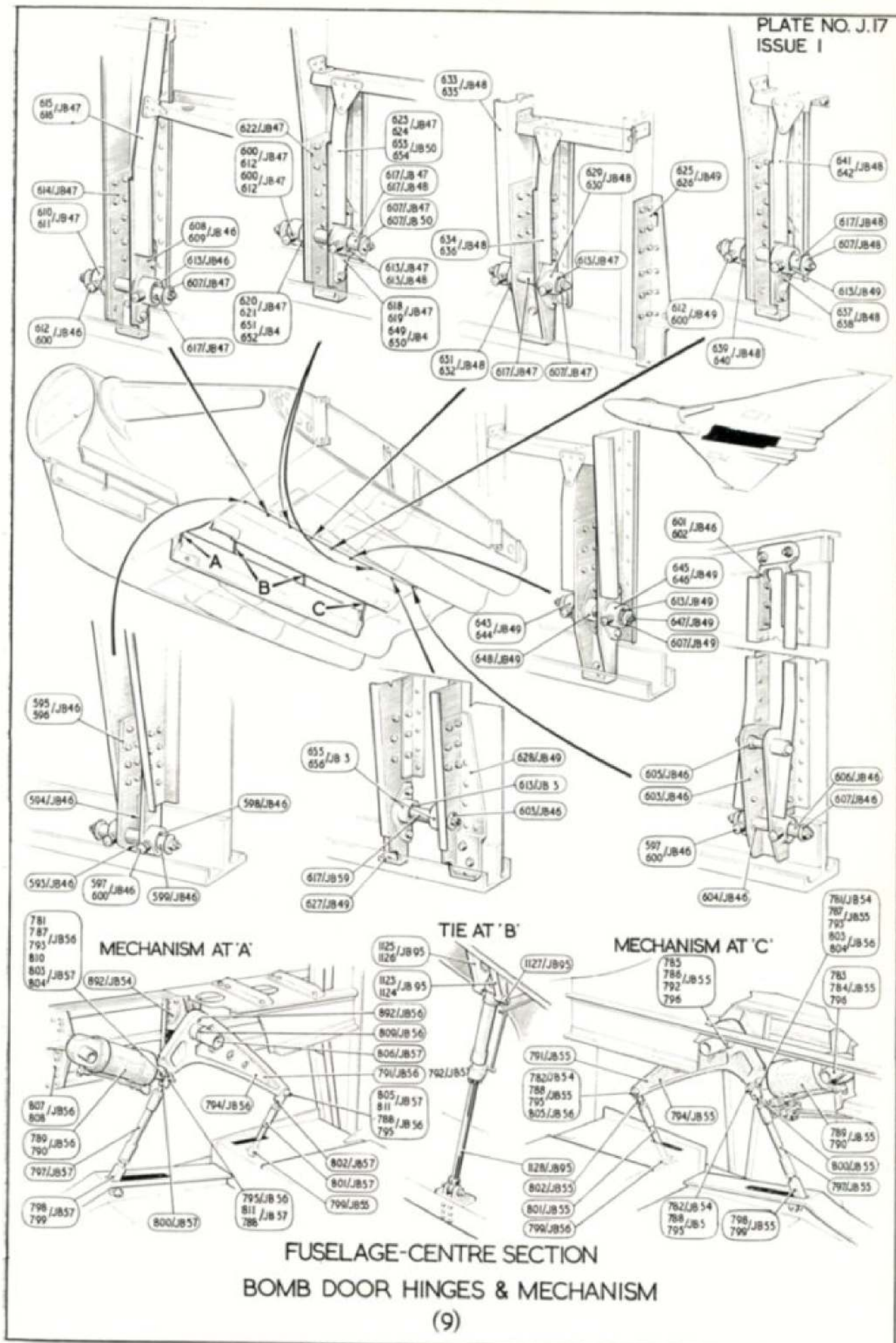


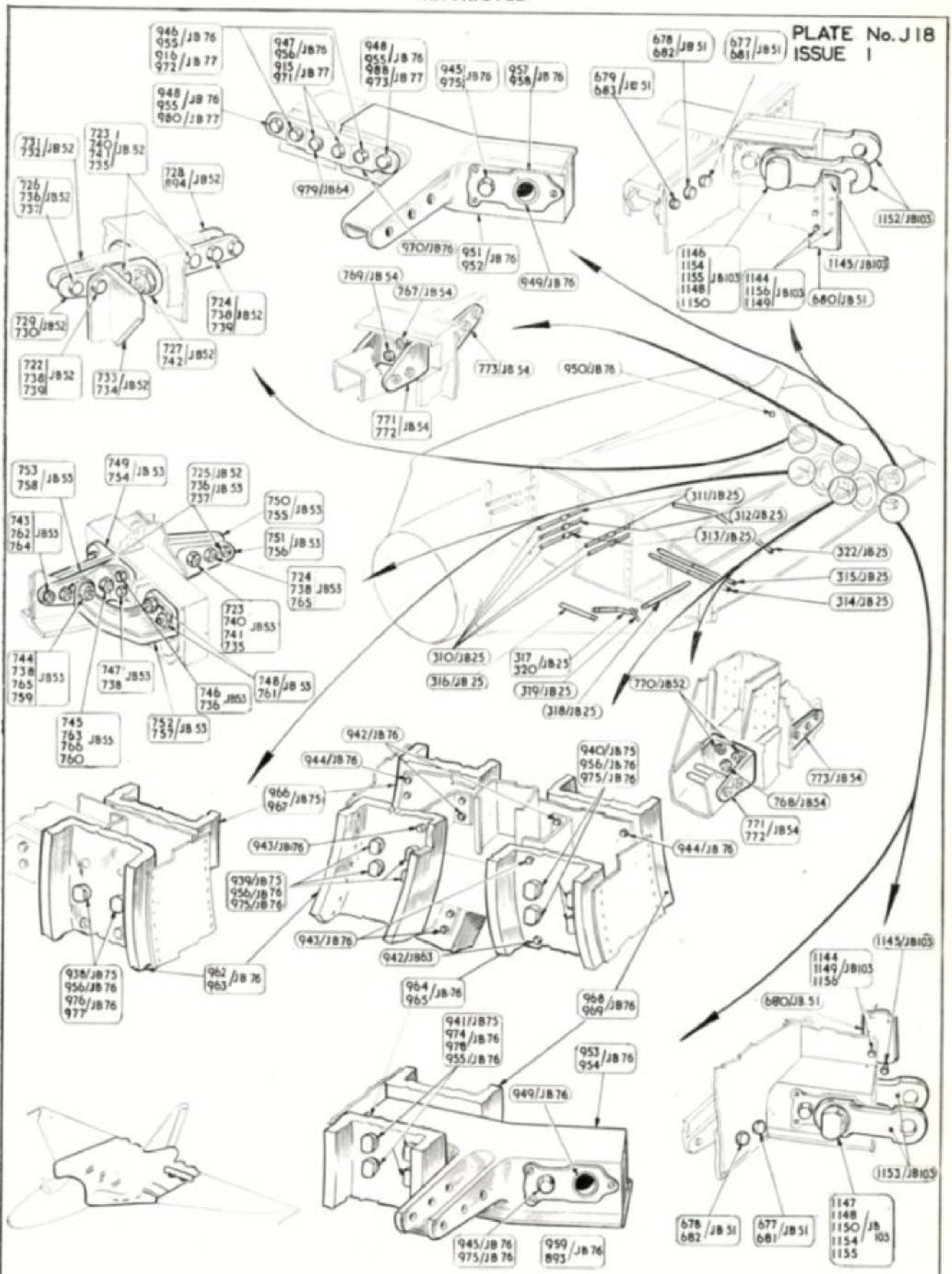
FUSELAGE  
CENTRE SECTION  
(6)



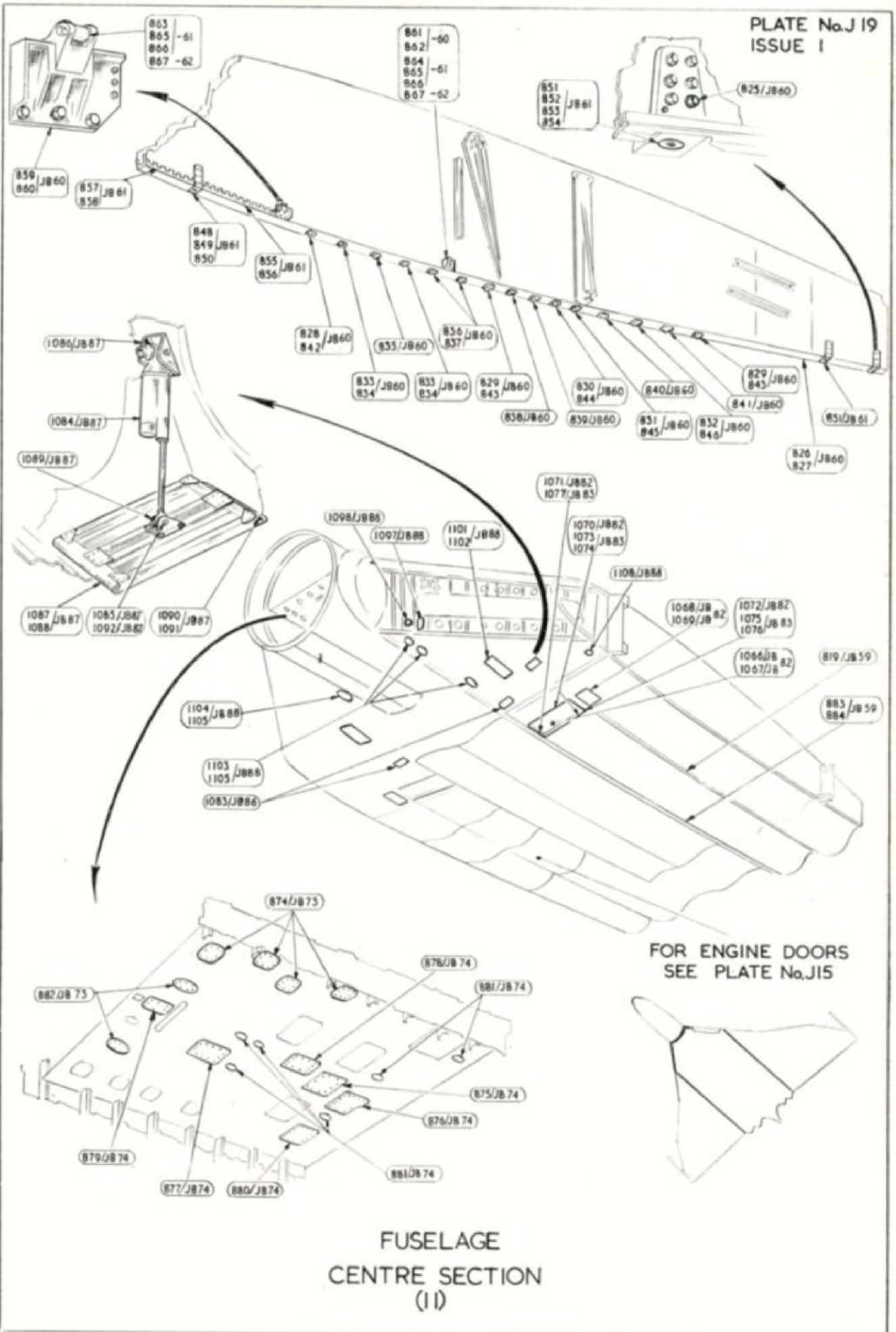


FUSELAGE  
CENTRE SECTION  
(8)





FUSELAGE  
CENTRE SECTION  
(O)



This file was downloaded  
from the RTFM Library.

Link: [www.scottbouch.com/rtfm](http://www.scottbouch.com/rtfm)

Please see site for usage terms,  
and more aircraft documents.

