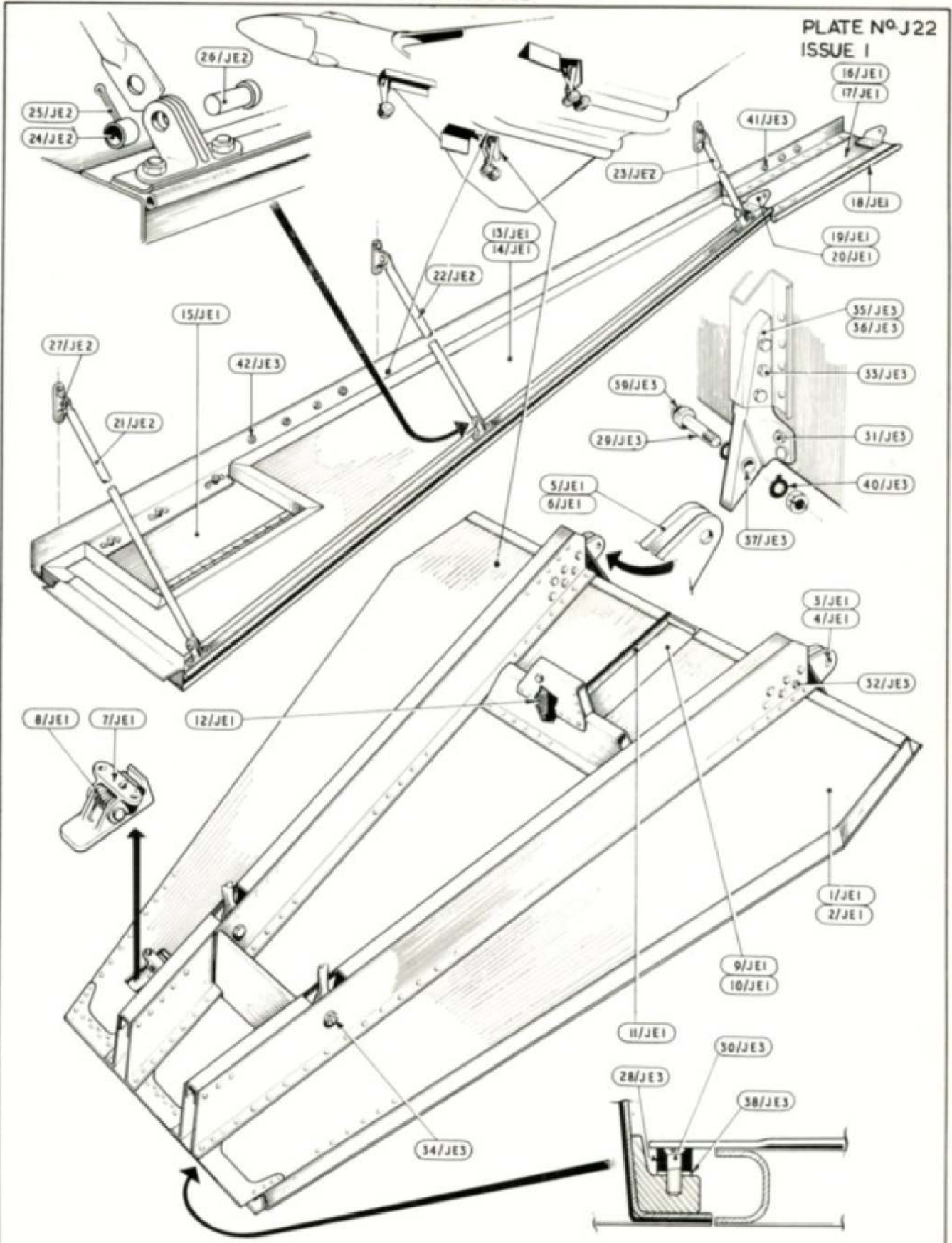


RESTRICTED

PLATE N° J22
ISSUE I



MAIN UNDERCARRIAGE FAIRINGS

RESTRICTED



This file was downloaded
from the RTFM Library.

Link: www.scottbouch.com/rtfm

Please see site for usage terms,
and more aircraft documents.