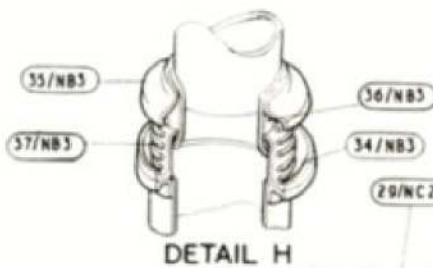
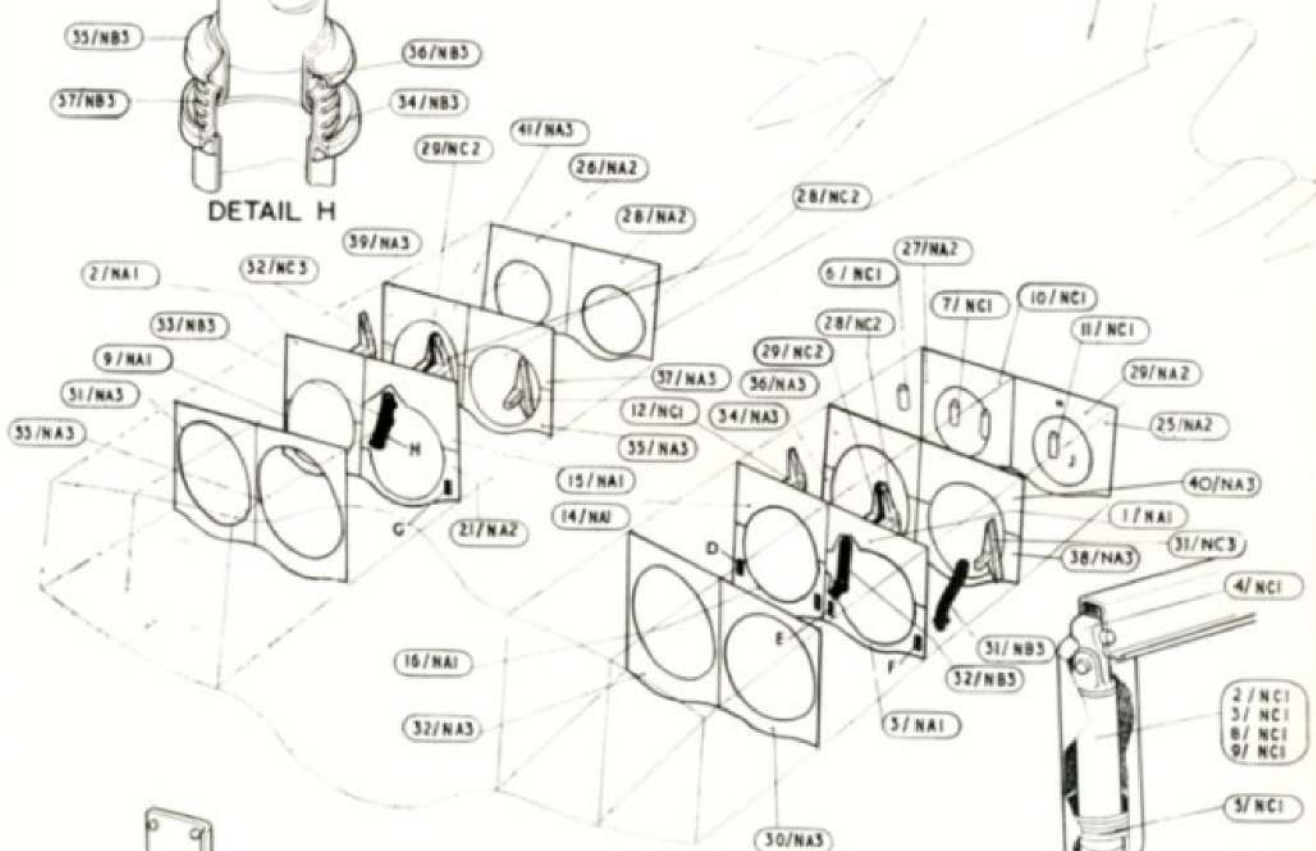


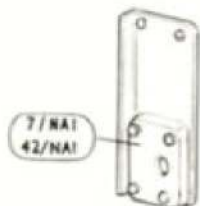
DETAIL G



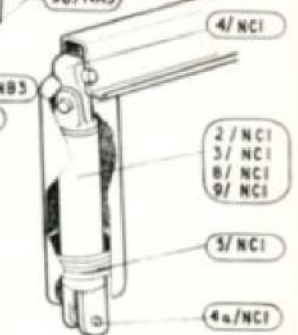
DETAIL H



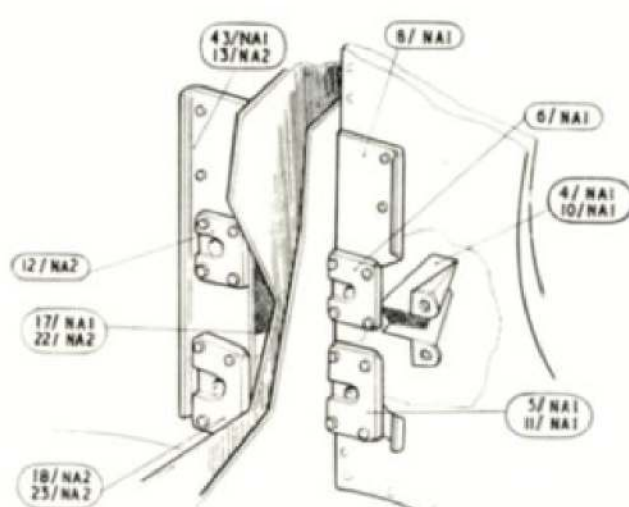
DETAIL D



DETAIL F

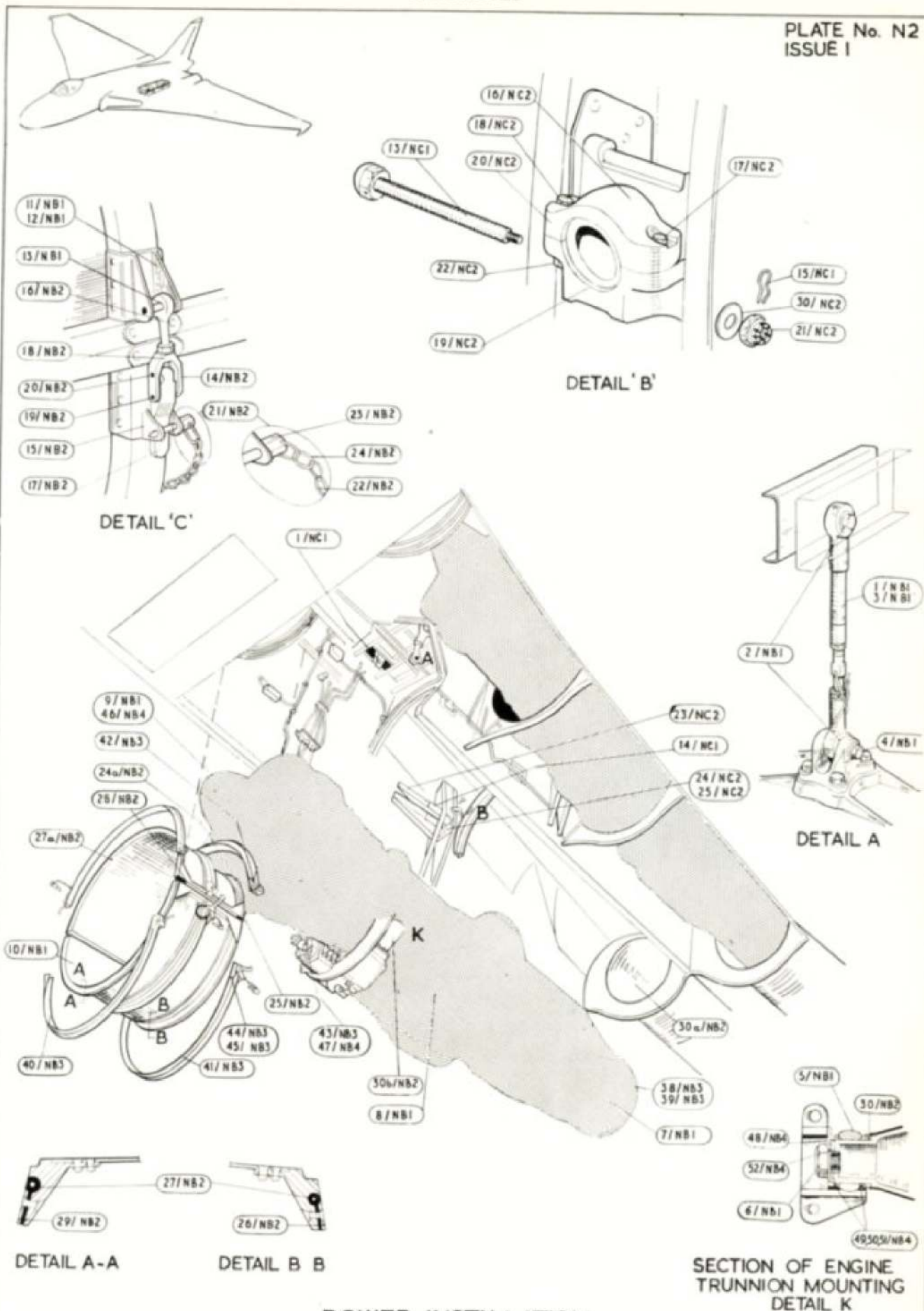


DETAIL J



DETAIL E

POWER INSTALLATION
ENGINE MOUNTINGS - ENGINE - ENGINE BULKHEADS
(I)



DETAIL 'B'

DETAIL 'C'

DETAIL A

DETAIL A-A

DETAIL B B

SECTION OF ENGINE
TRUNNION MOUNTING
DETAIL K

POWER INSTALLATION
 ENGINE MOUNTINGS-ENGINE - ENGINE BULKHEADS
 (2)

This file was downloaded
from the RTFM Library.

Link: www.scottbouch.com/rtfm

Please see site for usage terms,
and more aircraft documents.

