

AIR CONDITIONING SYSTEM
CREW'S NACELLE

(1)

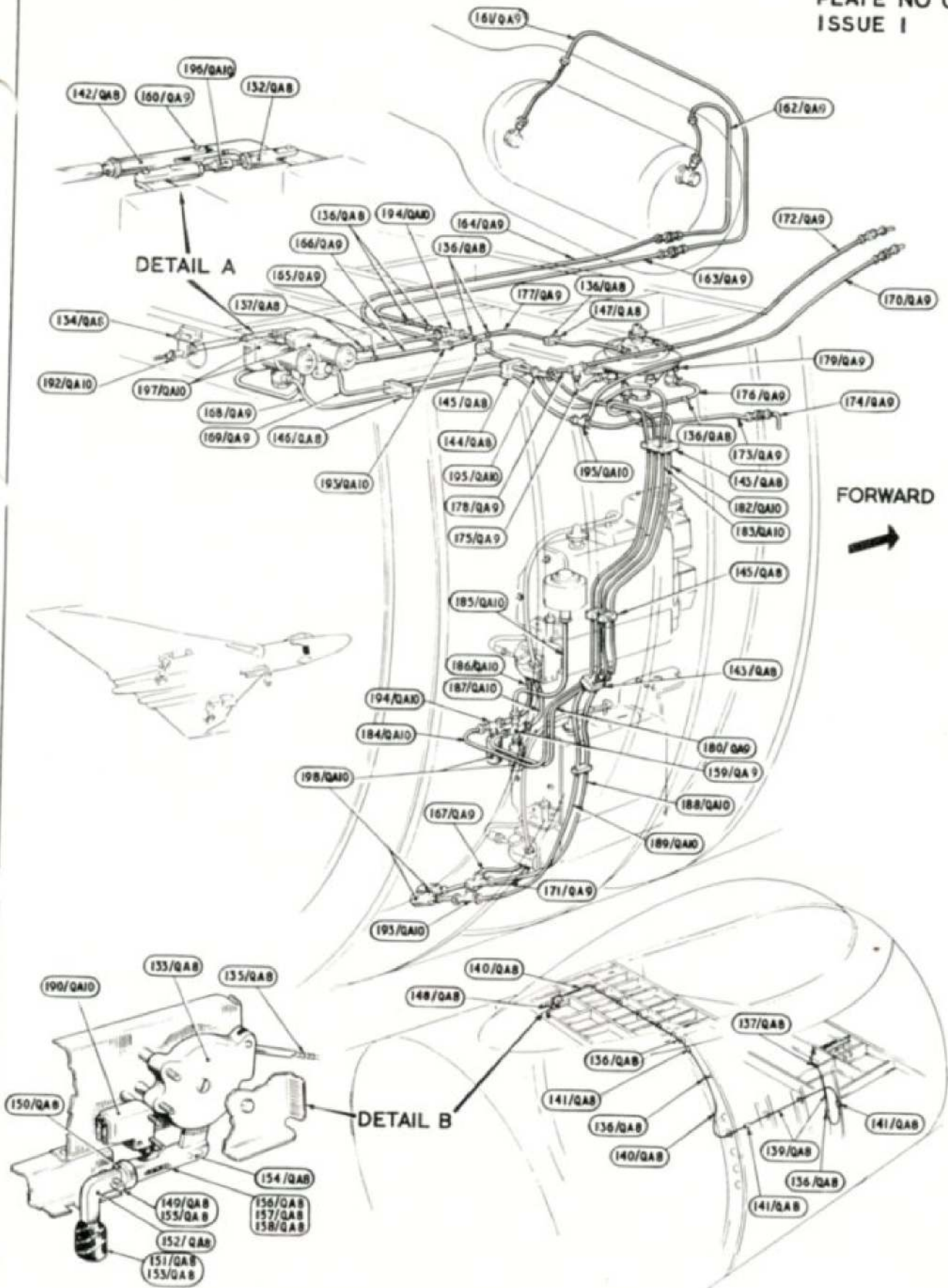
DETAIL 'A'
INWARD RELIEF VALVE

TYPICAL DUCT JOINT

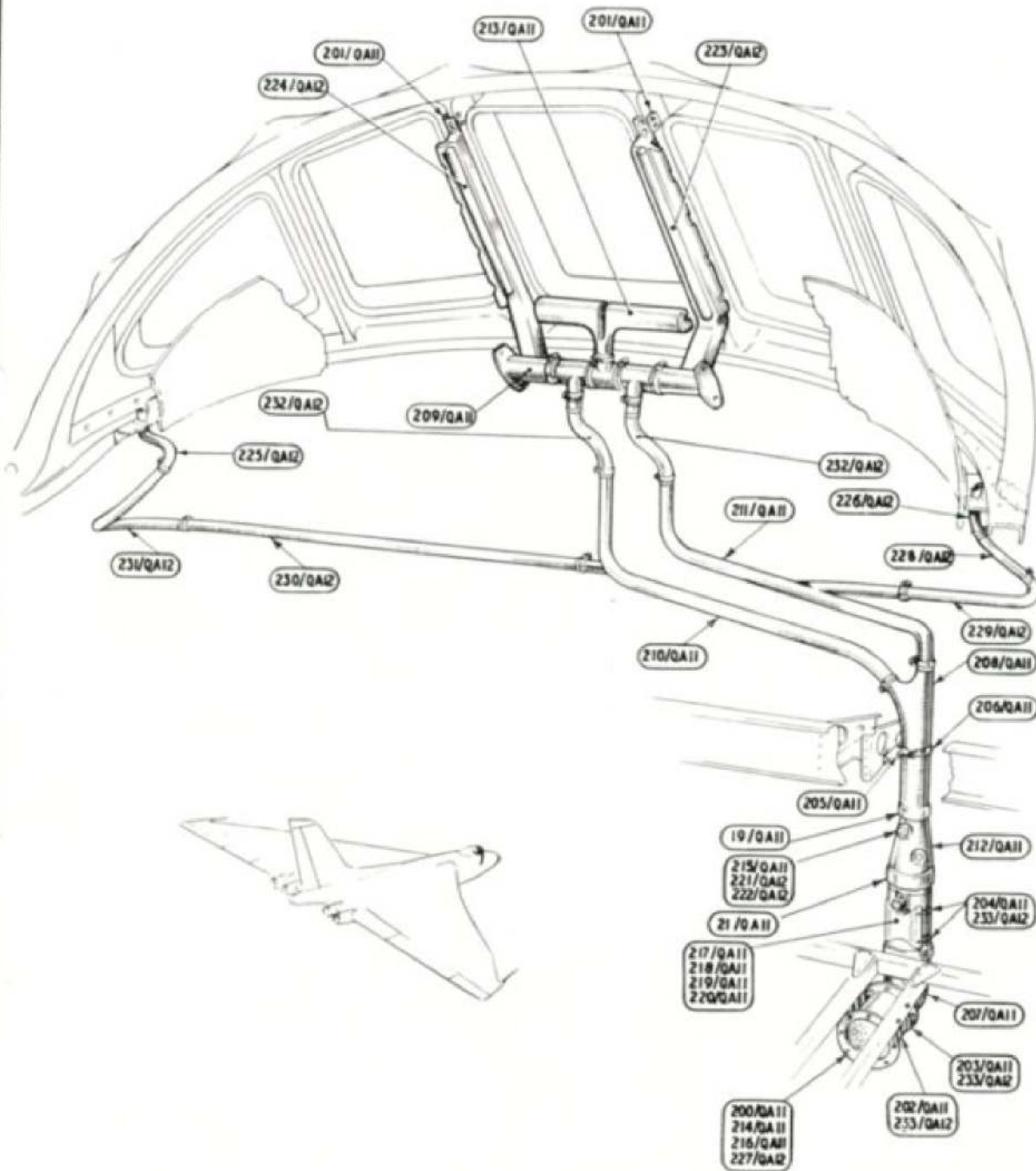
RESTRICTED

RESTRICTED

PLATE NO. Q1
ISSUE 1



AIR CONDITIONING
PRESSURE CONTROLLERS
(3)

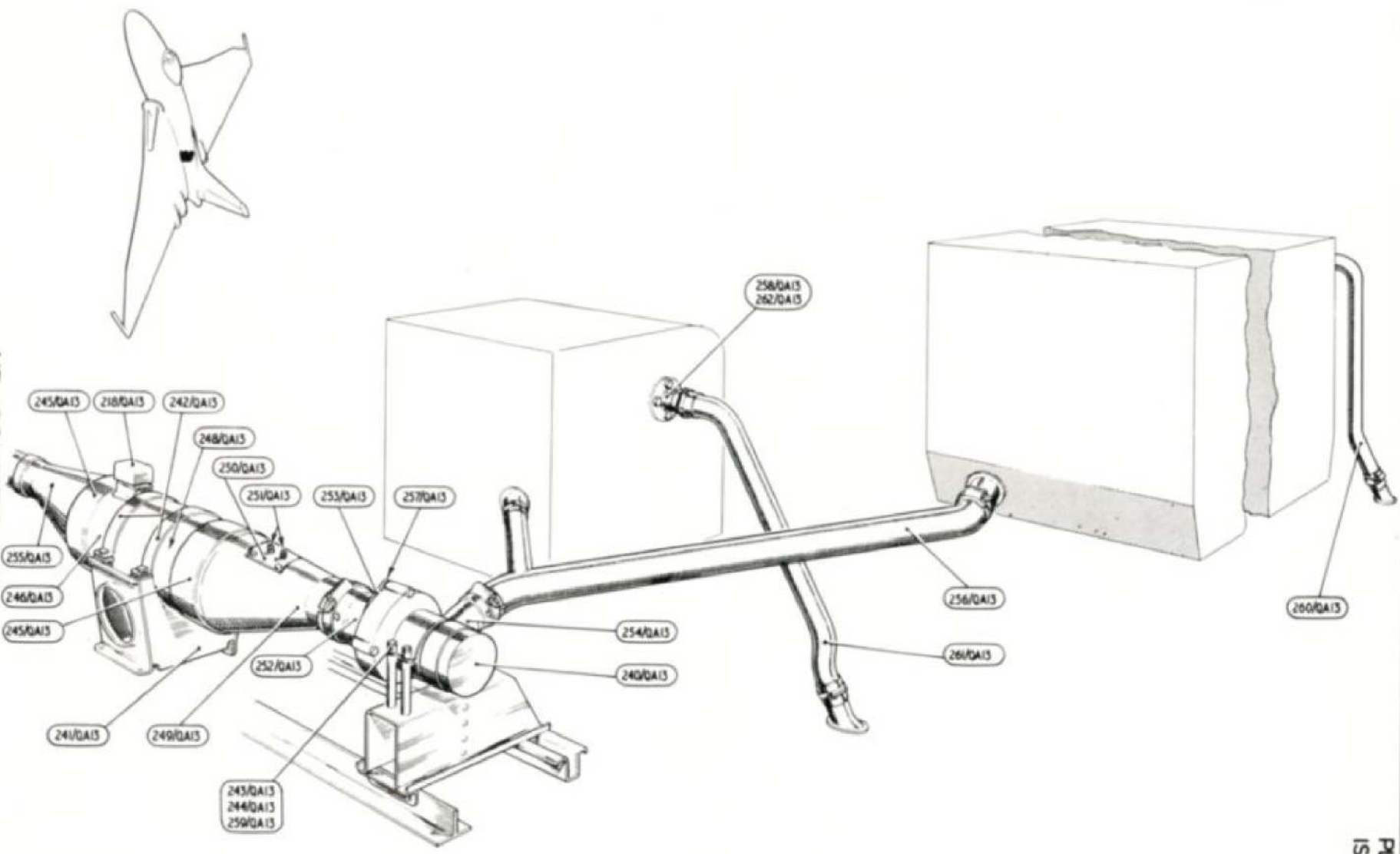


AIR CONDITIONING
WINDSCREEN DE-MISTING SYSTEM

(4)

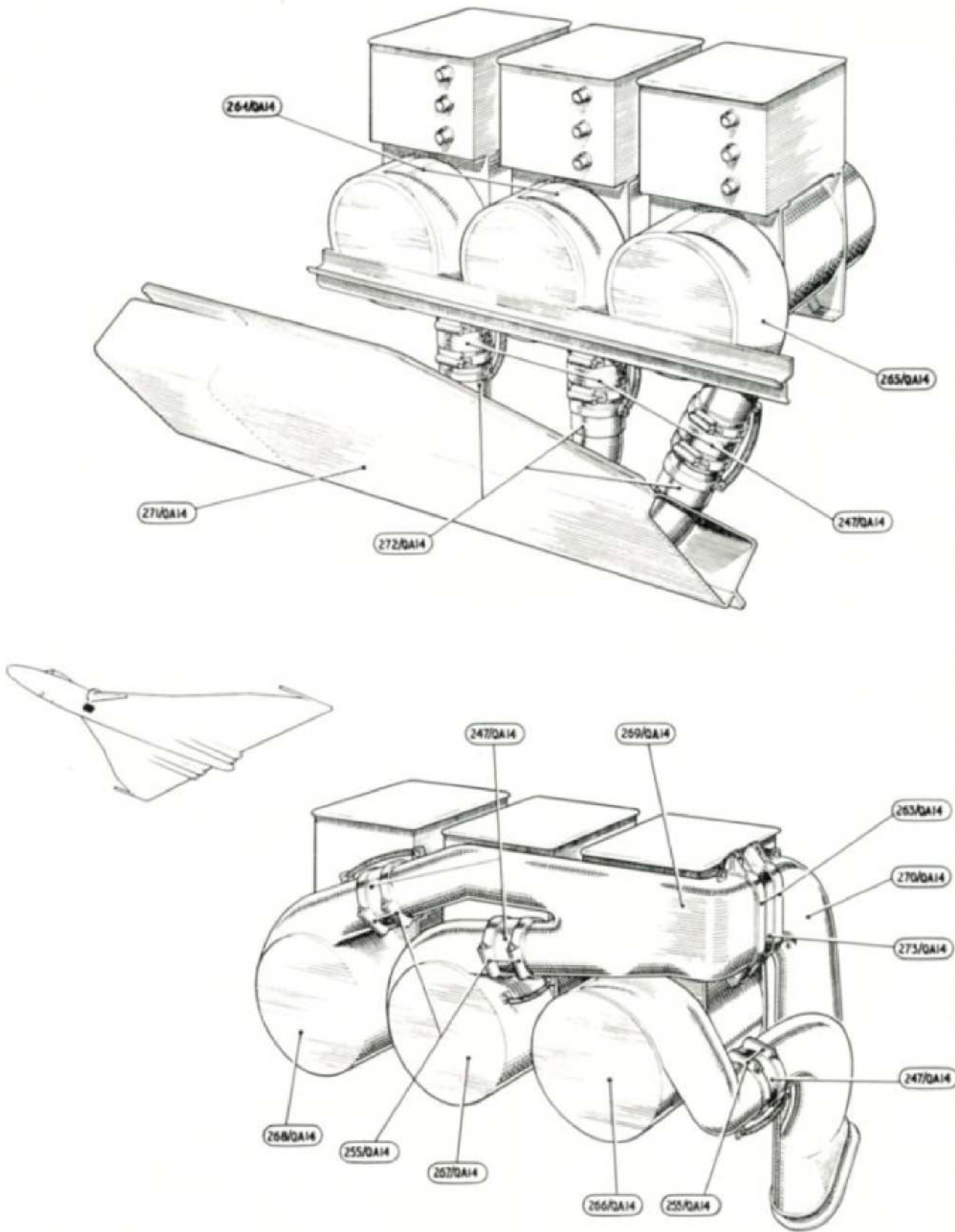
RESTRICTED

PLATE NO. Q5
ISSUE 1



AIR CONDITIONING
BATTERY HEATING AND VENTILATION — FUSELAGE
(5)

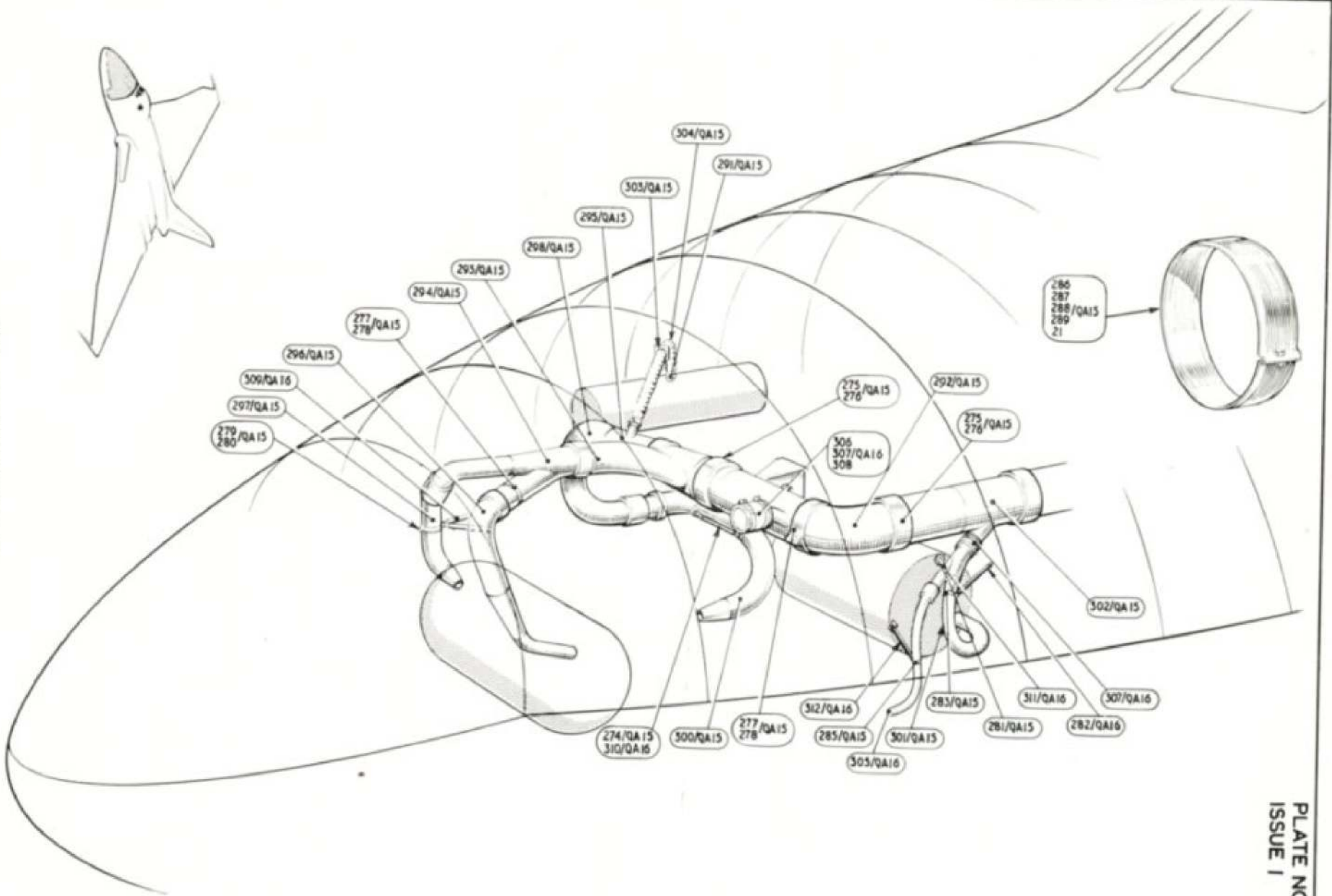
RESTRICTED



AIR CONDITIONING
DUCTING FOR 350 TYPE INVERTORS - CENTRE PORTION
(6)

RESTRICTED

PLATE NO. Q7
ISSUE 1

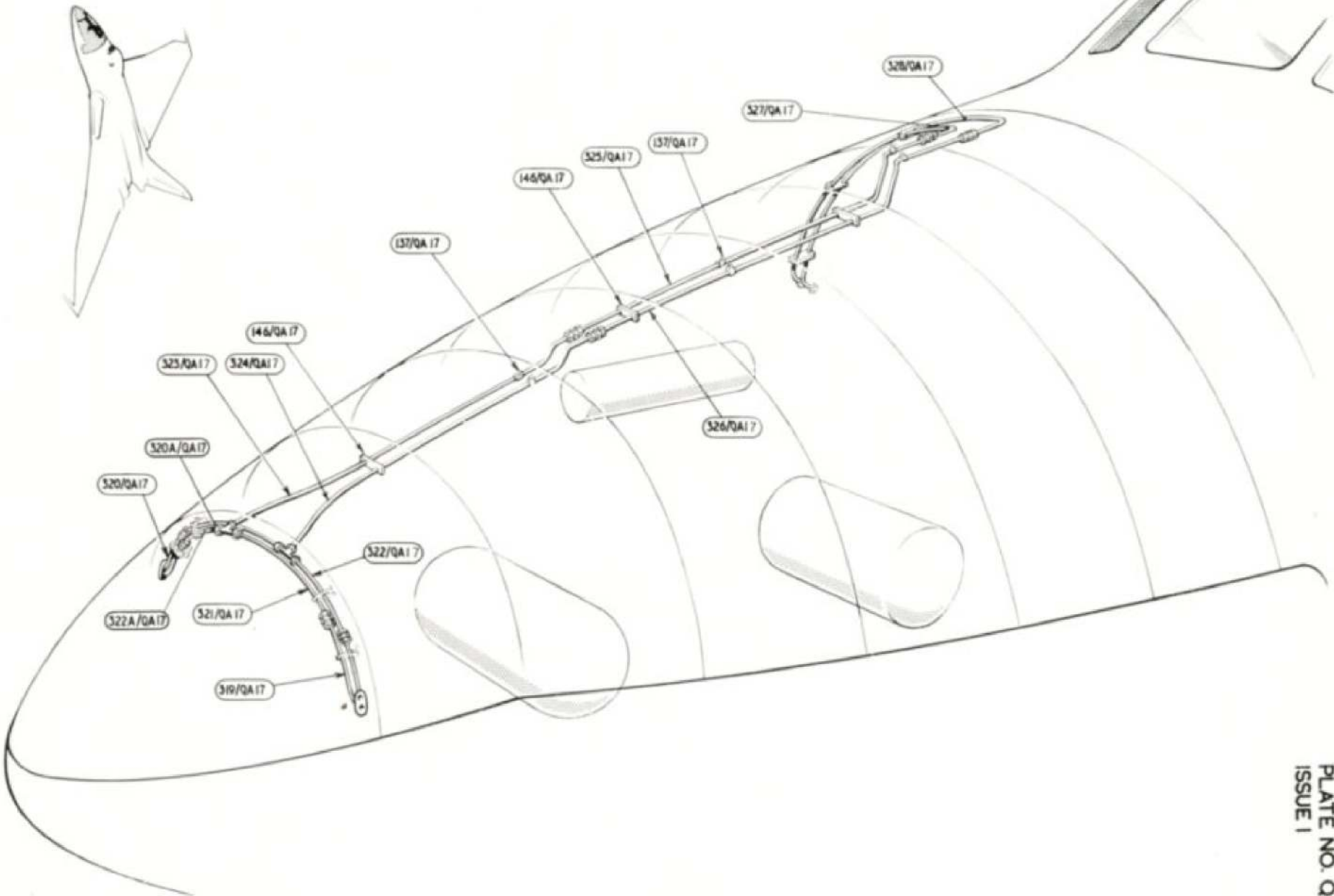


AIR CONDITIONING
COOLING DUCTING-RADOME
(7)

RESTRICTED

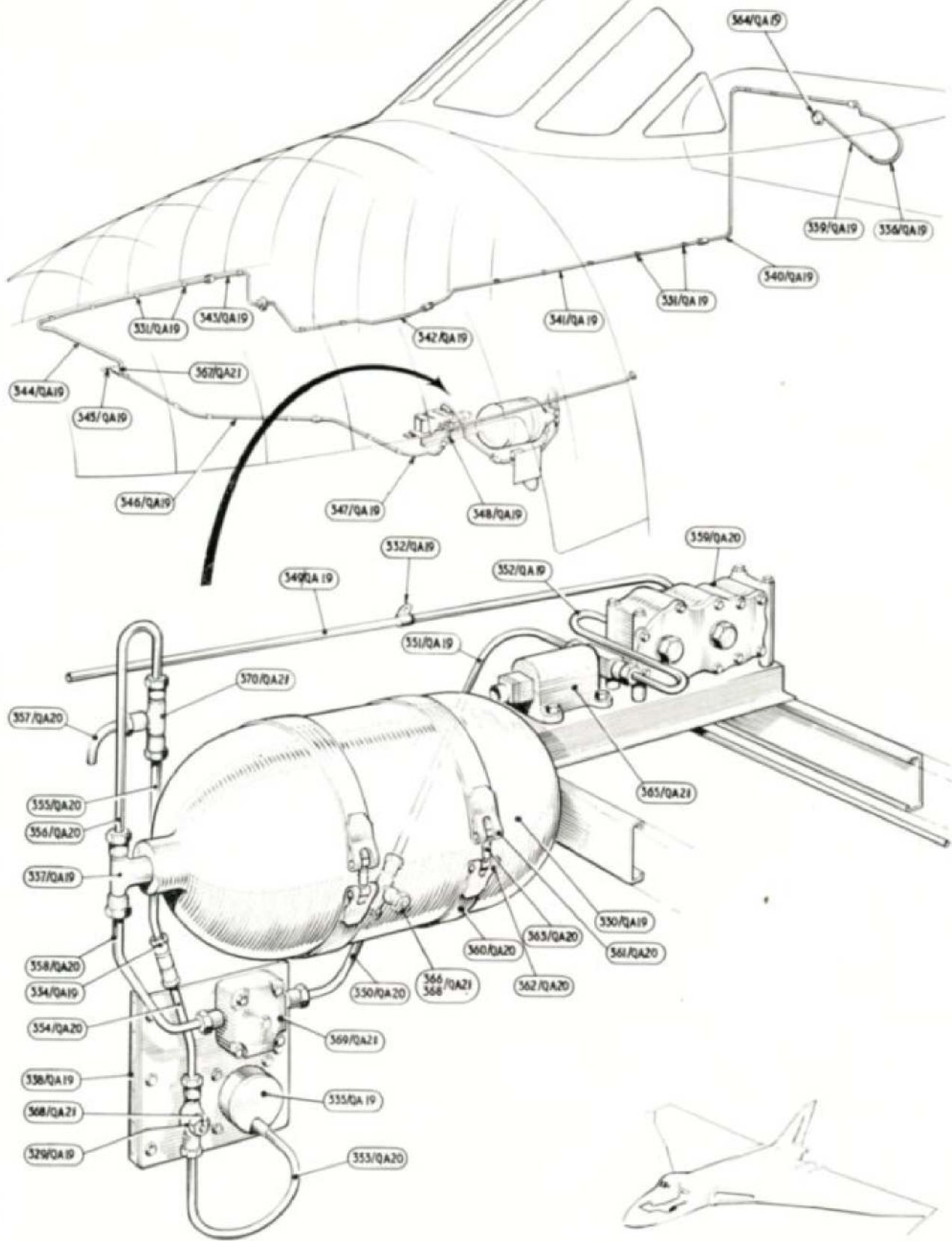
RESTRICTED

PLATE NO. Q8
ISSUE 1



AIR CONDITIONING
PIPING FOR PRESSURE CONTROL IN NOSE
(8)

RESTRICTED



AIR CONDITIONING
PRESSURIZATION FOR H.2.S. SCANNER
(9)

This file was downloaded
from the RTFM Library.

Link: www.scottbouch.com/rtfm

Please see site for usage terms,
and more aircraft documents.

